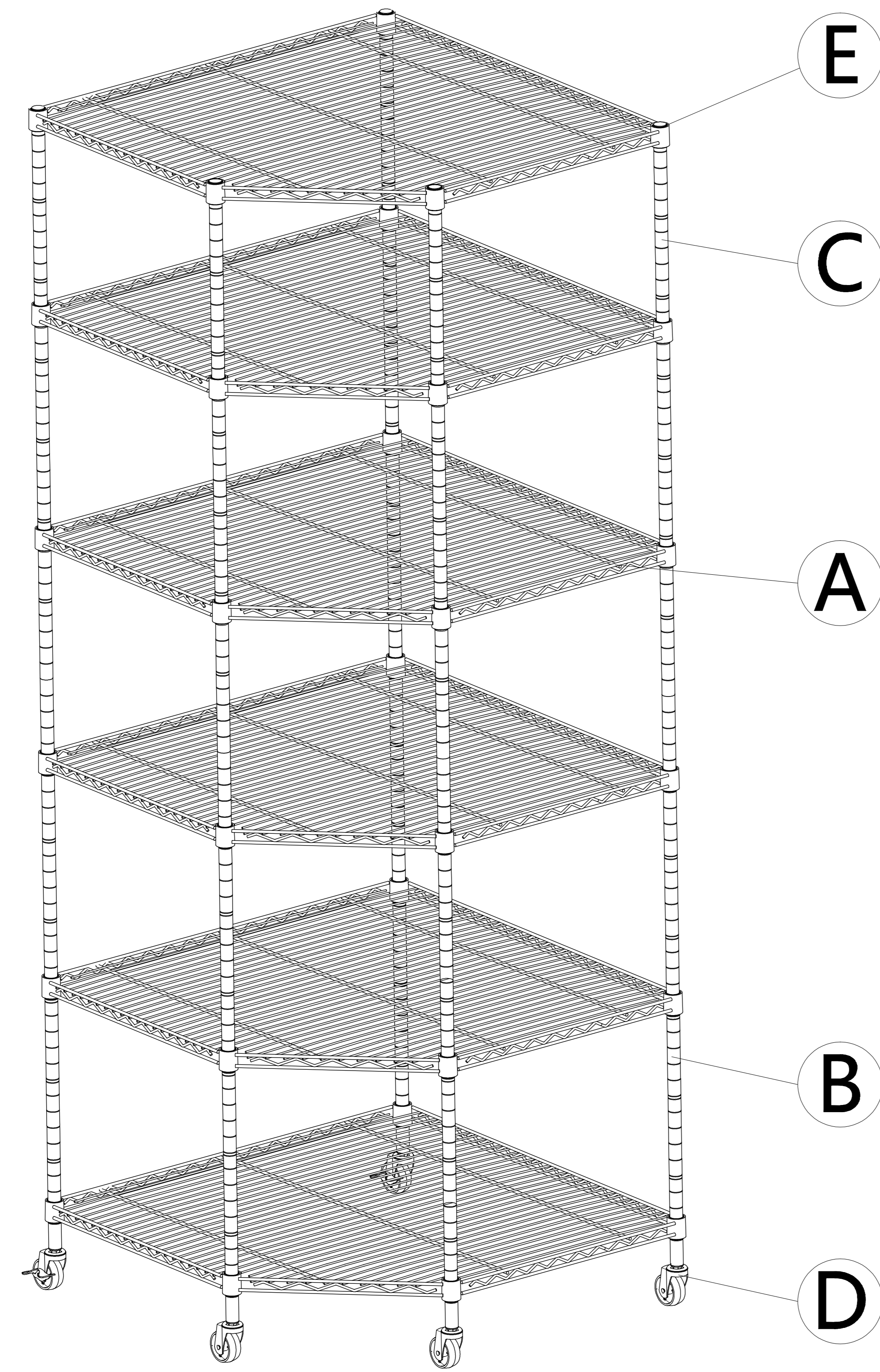
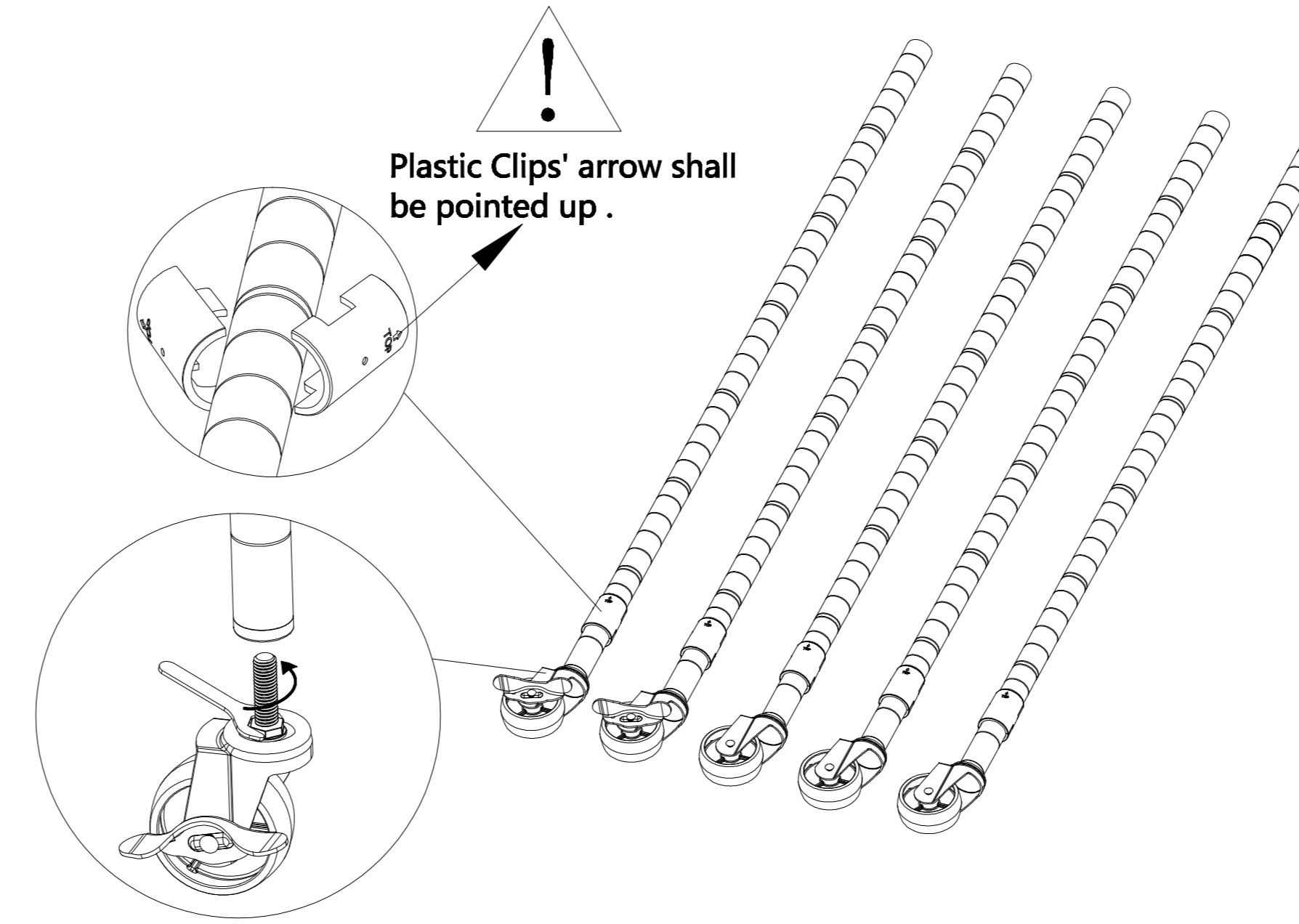


# MINI WIRE RACK INSTRUCTION

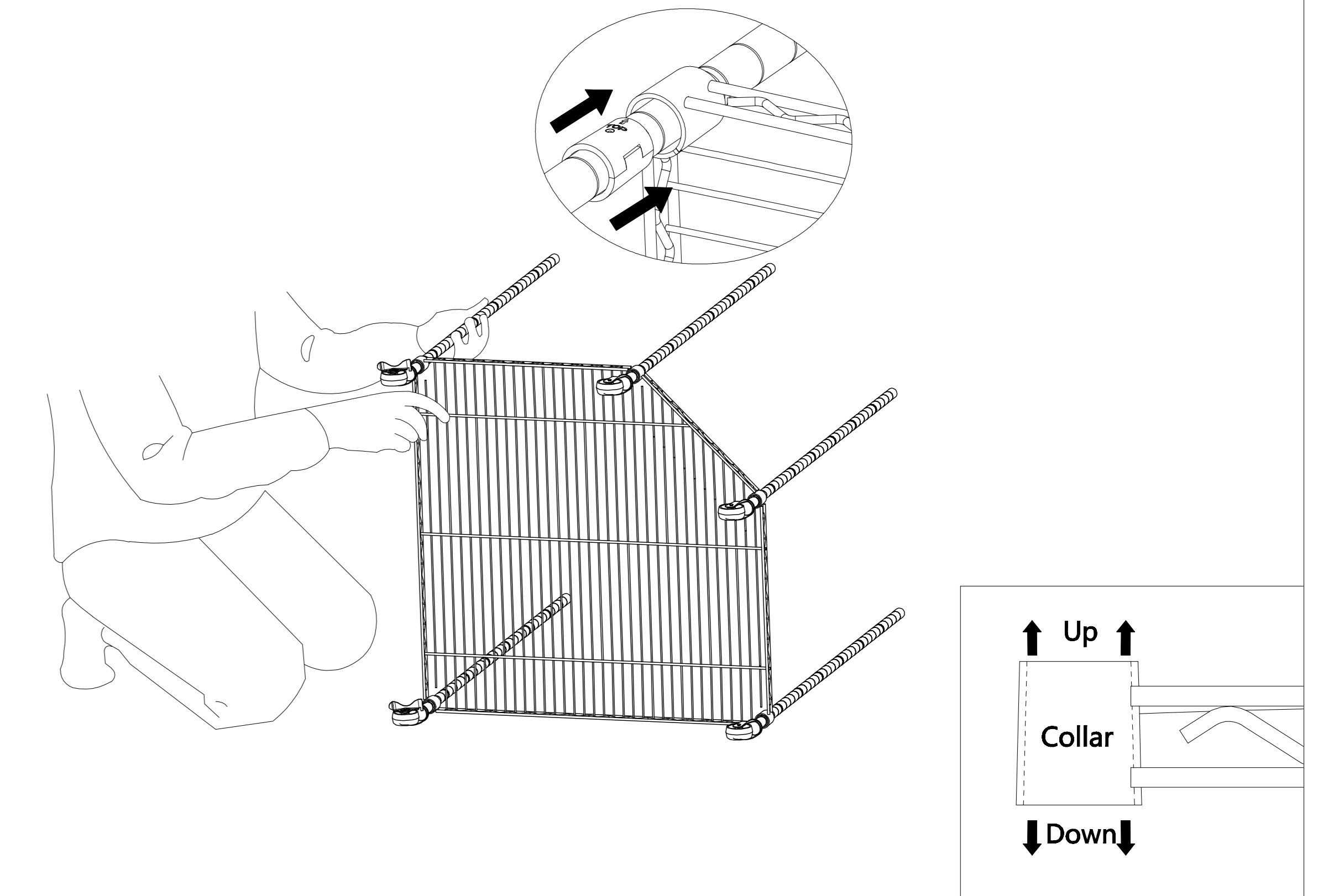


## Assembly Steps:

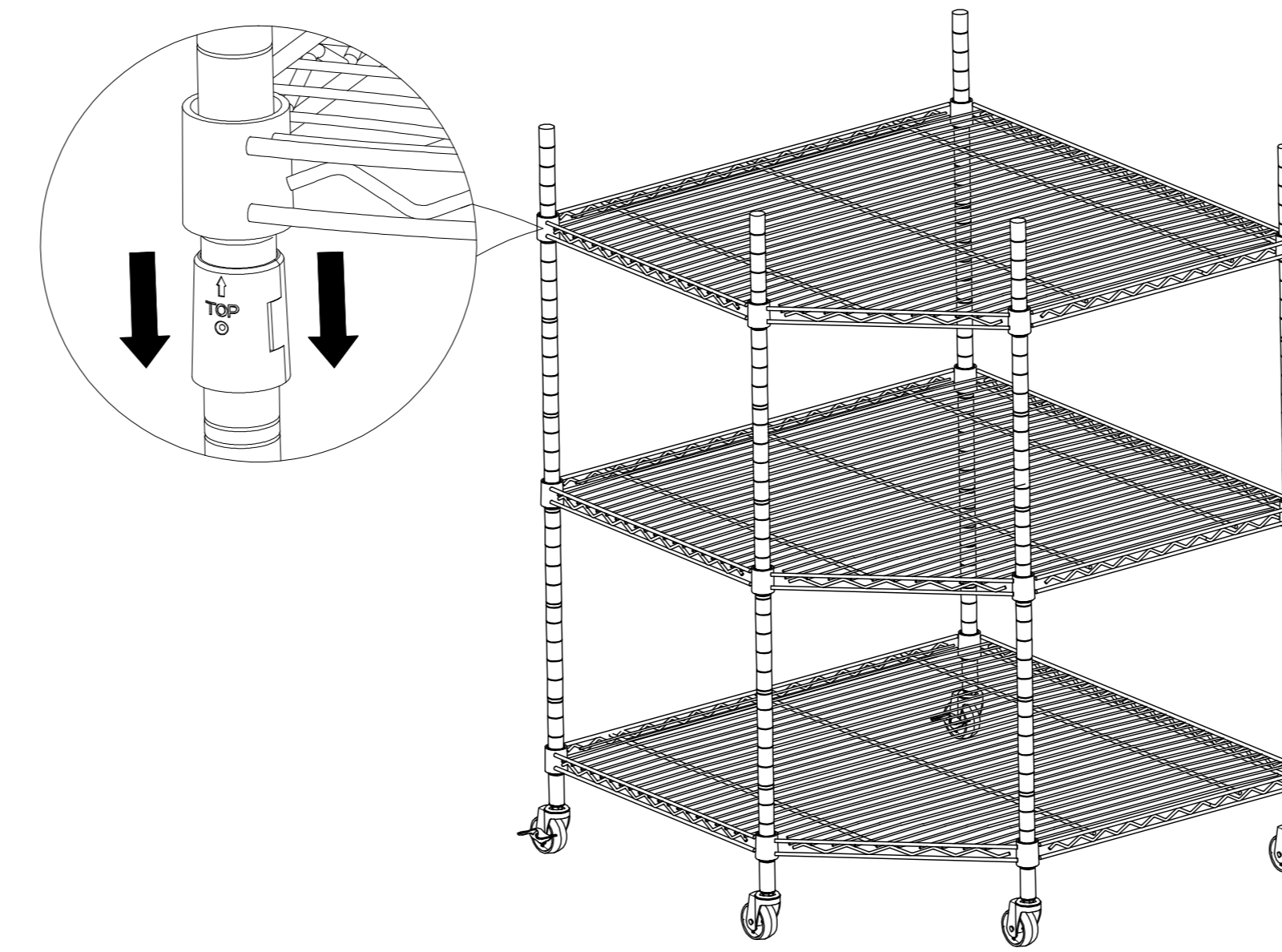
- 1** Snap the Plastic Clips(C) into the grooves of four Pole(B) at your desired position for first shelf Assembly. Make sure the arrow of plastic clips are pointed up.



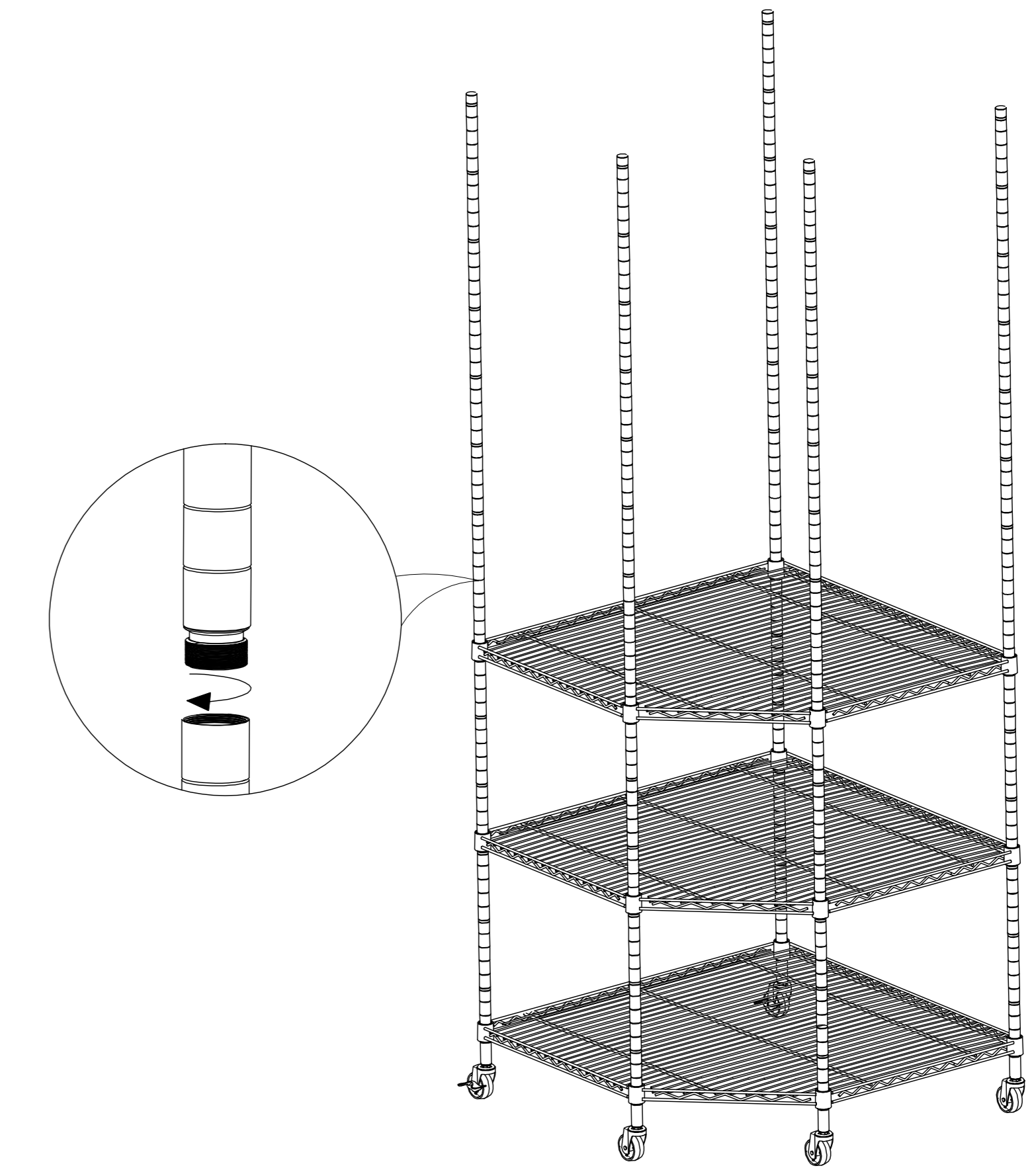
- 2** Please make sure that you have the Wire Shelf(A) the correct way up, hold the wire shelf on its side and slide the top of



- 3** Repeat the step 1 and the step 2 to assemble the 2nd and 3rd wire shelf as the photo.



- 4** Pushing firmly down on every shelf at corners by rubber



NO.	A	B	C	D	E
Name	Wire Shelf	Pole	Pole	Rubber Caster	Plastic Clip
Parts					
Quantity	6PCS	5PCS	5PCS	5PCS	24PCS

