

3 x2

$\frac{872 \times 105 \times 12}{34.3 \times 4.1 \times 0.5}$

4 x1

$\frac{803 \times 110 \times 12}{31.6 \times 4.3 \times 0.5}$

5 x1

$\frac{803 \times 110 \times 12}{31.6 \times 4.3 \times 0.5}$

6 x7

$\frac{932 \times 37 \times 9}{36.7 \times 1.5 \times 0.4}$

7 x1

$\frac{803 \times 168 \times 12}{31.6 \times 6.6 \times 0.5}$

8 x1

$\frac{803 \times 168 \times 12}{31.6 \times 6.6 \times 0.5}$

9 x1

$\frac{1120 \times 190 \times 12}{44.1 \times 7.5 \times 0.5}$

Ax2

Bx14

Cx14

Dx8

Ex14

Fx4

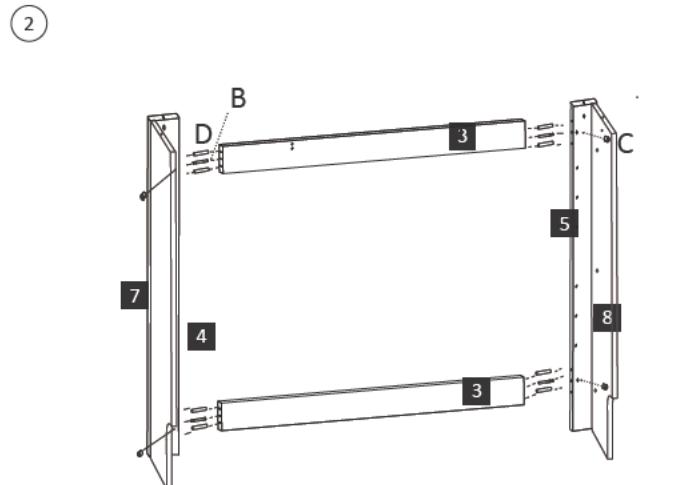
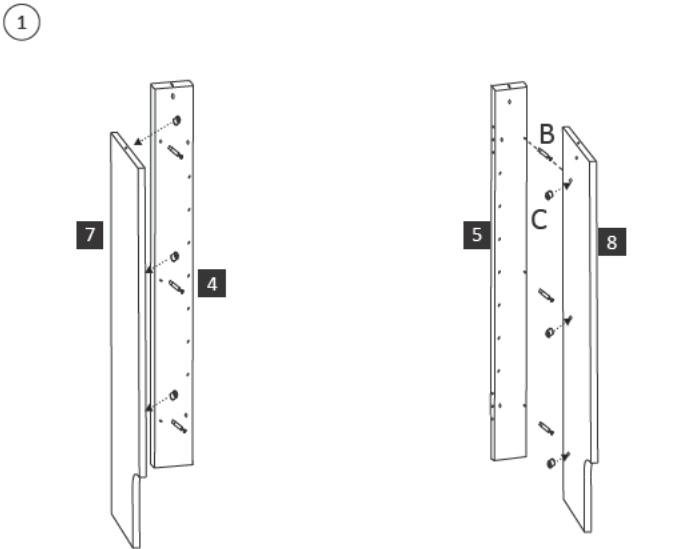
Gx4

Hx2

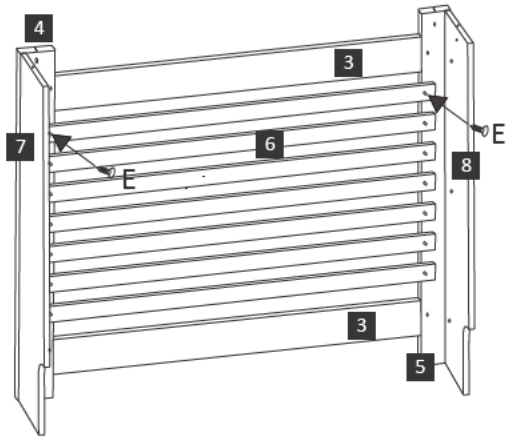
Ix8

mm
inch

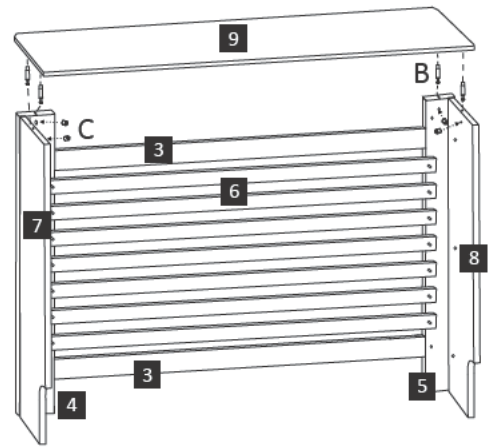
x2



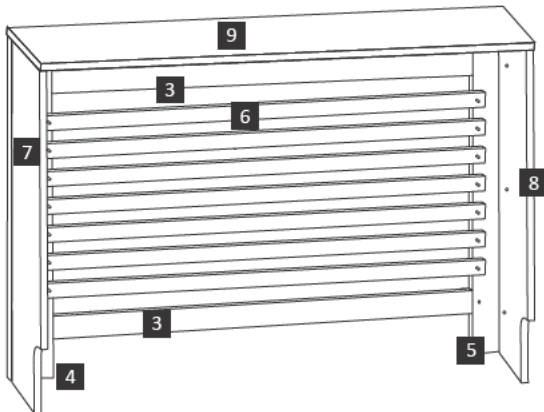
3



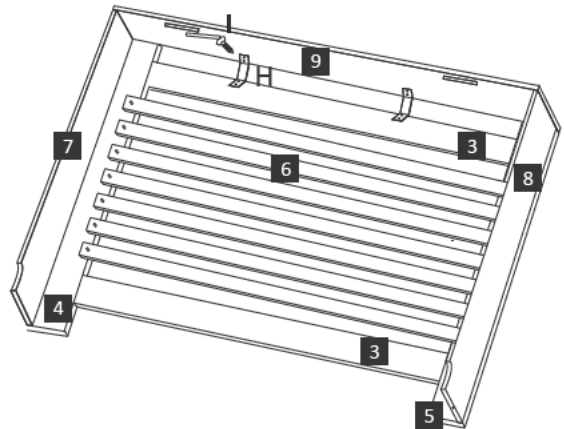
4



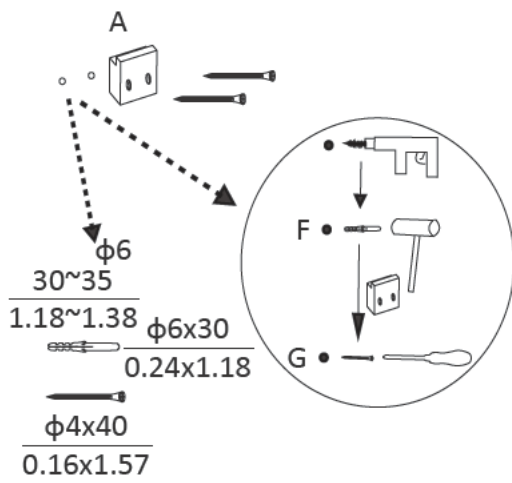
5



6



7



8

