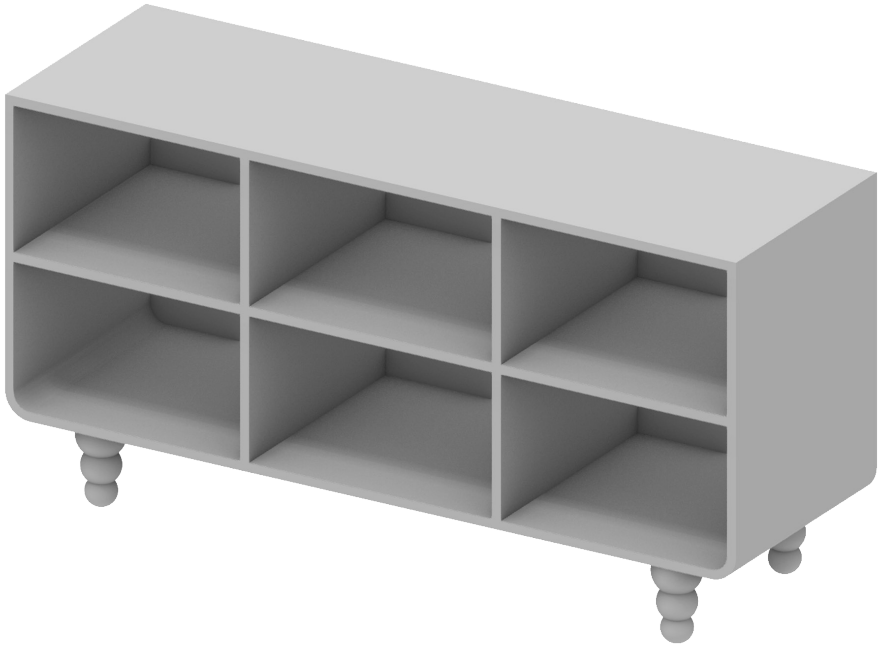


Installation & Assembly



20 : 00

estimated
assembly time



2 or more

people required

Ok, let's
get started!



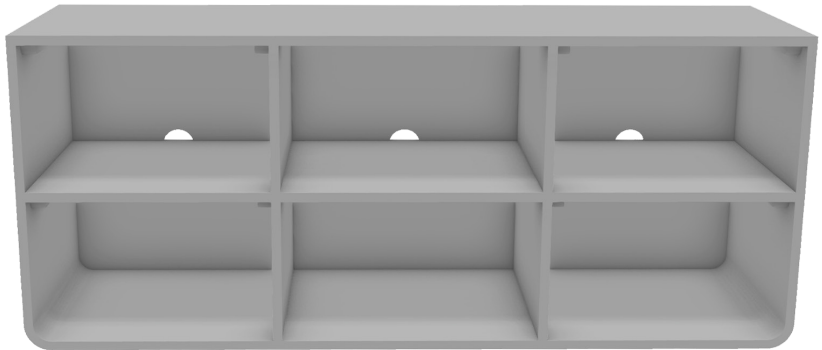
- Put on mood music!
- To prevent damage to product, use the clean side of package carton or rug as working surface.
- In the event of missing or damaged parts, delivery problems etc., please reach out to our team.
We will be happy to fix the problem!

care guide

- Clean regularly with a soft and dry cloth.
- To protect finish, avoid use of abrasive cleaners.
- Wipe up spills immediately. Please!



product parts



(A)
Table Top
x1



(B)
Legs
x4

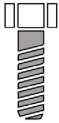
what's included



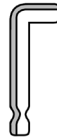
(C)- Plain Washer
(8X16mm)
x16



(D)- Lock Washer
(8.5mm)
x16



(E)- Bolt
(6 x 15mm)
x16



(F)- Allen Key
x1

assembly instructions

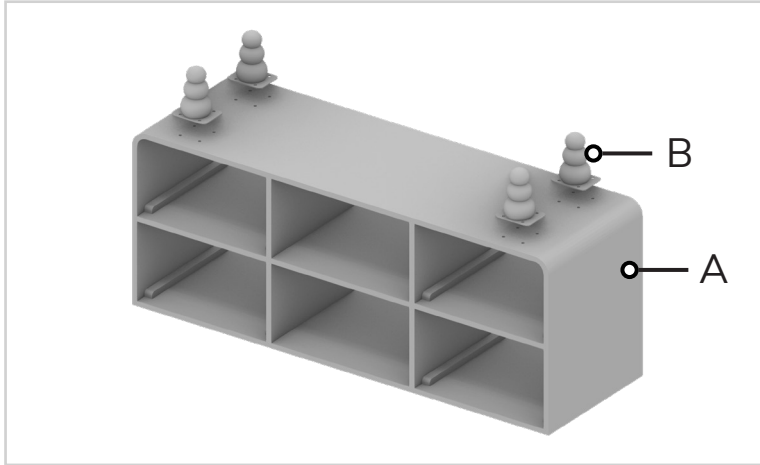
Friendly Tip: Take a deep breath going in. This may be a tricky part, but nothing too overwhelming. Just follow these steps to the T and the outcome will be worth it!



- ⓘ While assembling the product, tighten the bolts up to 50%. Once all parts are in place, only then fully tighten the bolts.

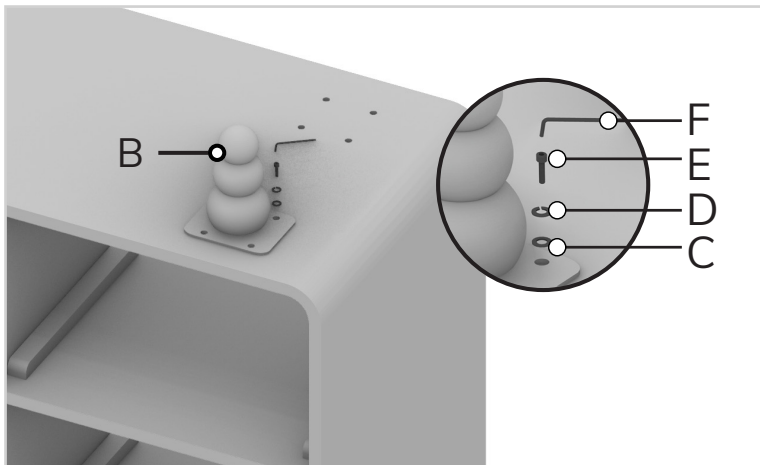
step 1:

Start by placing the tabletop (A) upside down on a flat surface. Now, take the legs (B) and align the slots on (B) with the slots given on (A).



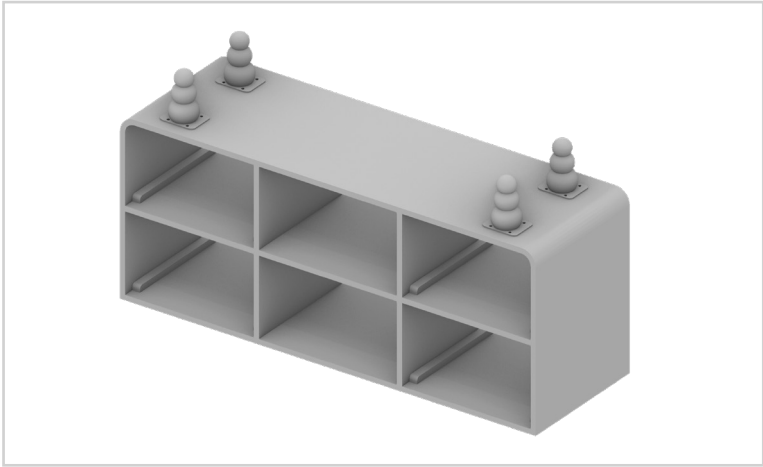
step 2:

Now, attach the legs (B) to the tabletop (A) by inserting plain washer (C), lock washer (D), and bolt (E) in the given slots. Tighten the bolt using allen key (F).



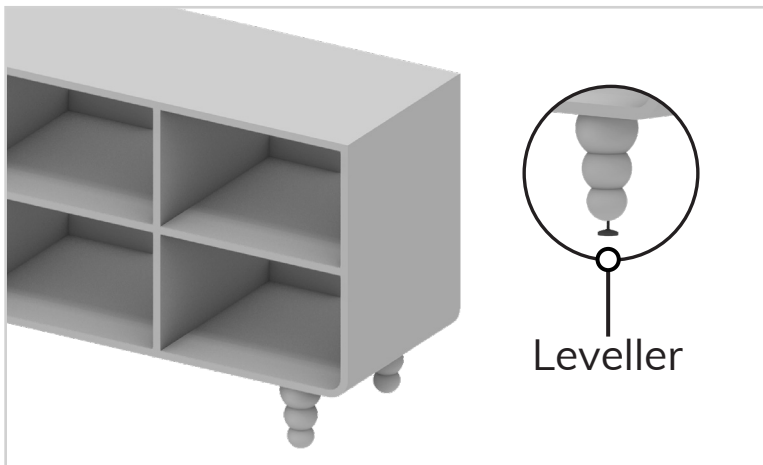
step 3:

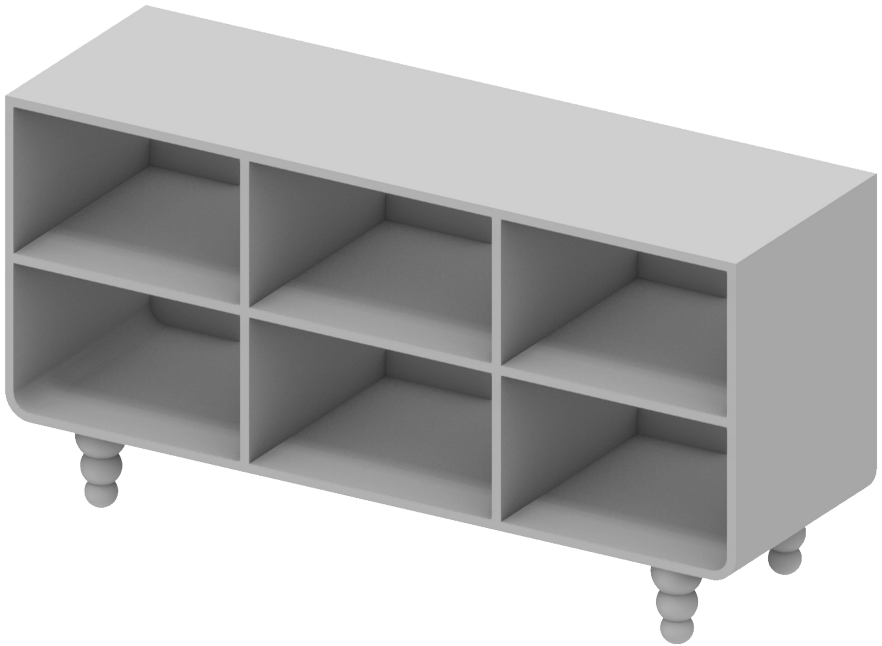
Repeat the step 2 with remaining legs (B).



step 4:

Turn it into an upright position and if required adjust the levellers according to the floor as shown in the image.





Voila! Your media unit is now assembled and secure!