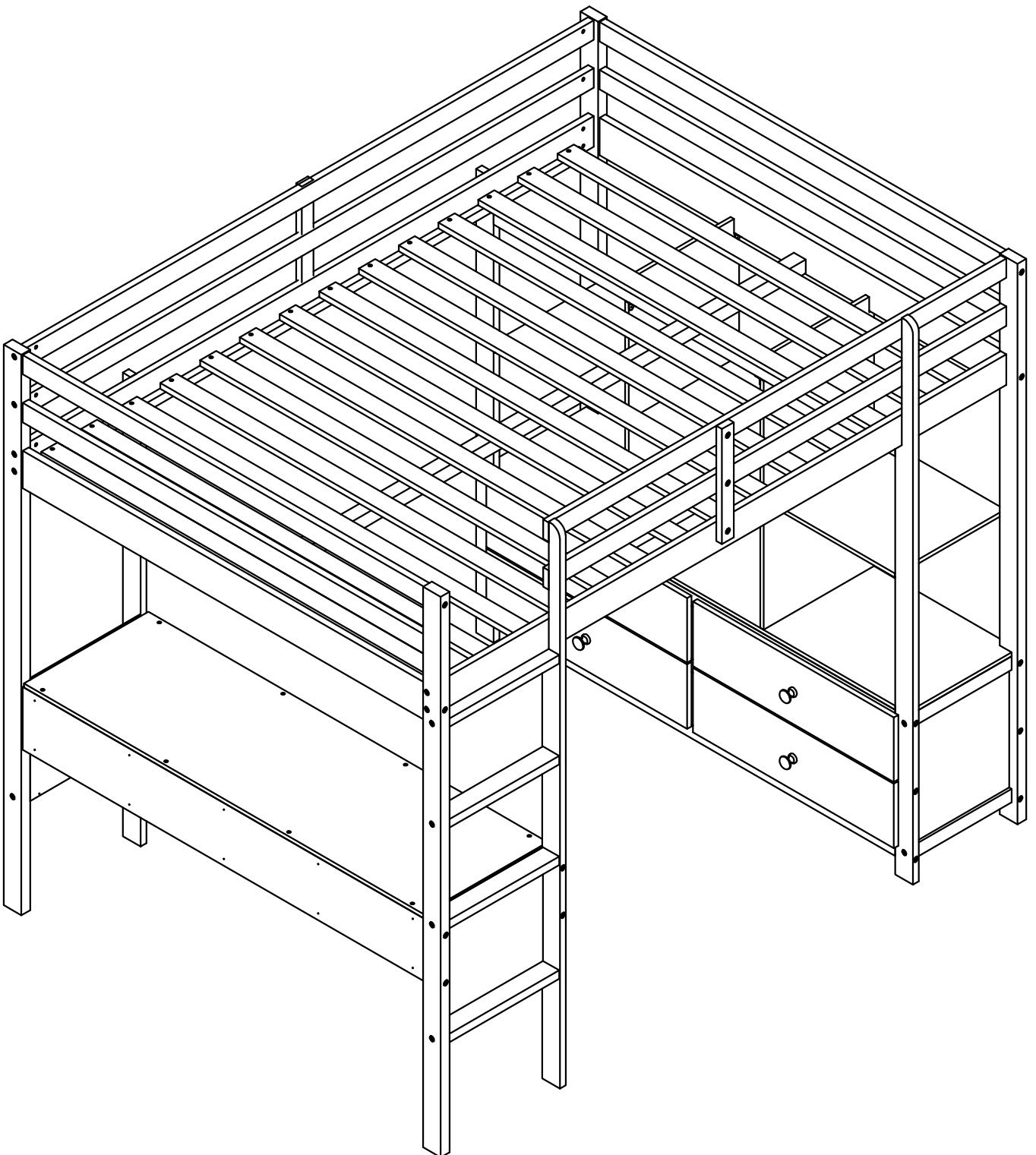


ASSEMBLY INSTRUCTION

SKU CODE: (WF295320-WF295321)

This set is included 3 boxes if don't receive full 2 boxes please contact our customer service team



! SAFETY WARNINGS !

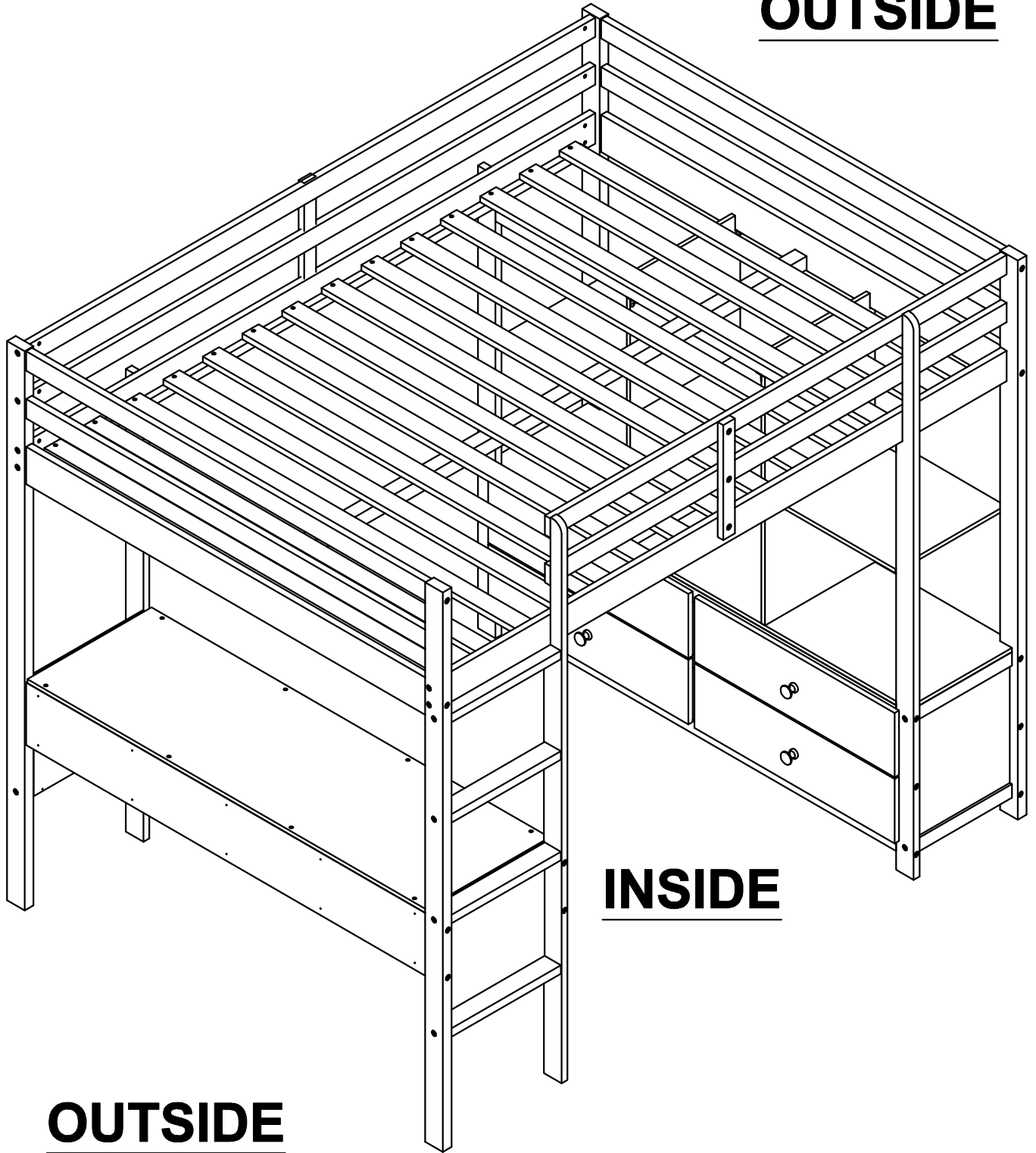
1. This bed is designed for use only mattress (es) meeting the following specifications on the upper bunk, and lower bunk

Upper bed Bed Type	Length	Width	Thickness
Full Standard	74" - 75"	53 1/2"	6" max

2. Replacement parts, including additional guardrails, maybe obtained from any of our (GIGACLOUD TECHNOLOGY (USA) INC. 18961 ARENTH AVENUE CITY OF INDUSTRY, CA, 91748) dealers
3. Follow the information on the warnings appearing on the upper bunk bed end structure and on the carton. Do not remove warning label from bed
4. Always use the recommended size mattresses or mattress supports, or both, to help prevent the likelihood of entrapment or falls.
5. Surface of mattress must be at least 5" (127mm) below the upper edge of guardrails
6. Do not allow children under 6 years of age to use the upper bunk.
7. Periodically check and ensure that the guardrail, ladder, and other components are in their proper position, free from damage, and that all connectors are tight.
8. Do not allow horseplay on or under the bed and prohibit jumping on the bed.
9. Always use the ladder for entering and leaving the upper bunkAlways use the ladder for entering and leaving the upper bunk.
10. Do not use substitute part. Contact the manufacture or dealer for replacement part
11. Use of a night light may provide added safety precaution for a child using the upper bunk..
12. Always use guardrails on both long sides of the upper bunk. If the bunk bed will be placed next to the wall, the guardrail that runs the full length of the bed should be placed against the wall to prevent entrapment between the bed and wall.
13. The use of water or sleep flotation mattresses is prohibited
14. STRANGULATION HAZARD - Never attach or hang items to any part of the bunk bed that are not designed for use with the bed; for example, but not limited to, hook, belts and jump ropes
15. Keep these instruction for future reference
16. Prohibit more than one person on upper bunk
17. We recommend assembling your bunk bed on the shipping carton to protect your floor or carpet
18. Be certain all staples are out of the box before beginning assembly on the shipping carton.

OPTION 1: DRAWER -INSIDE

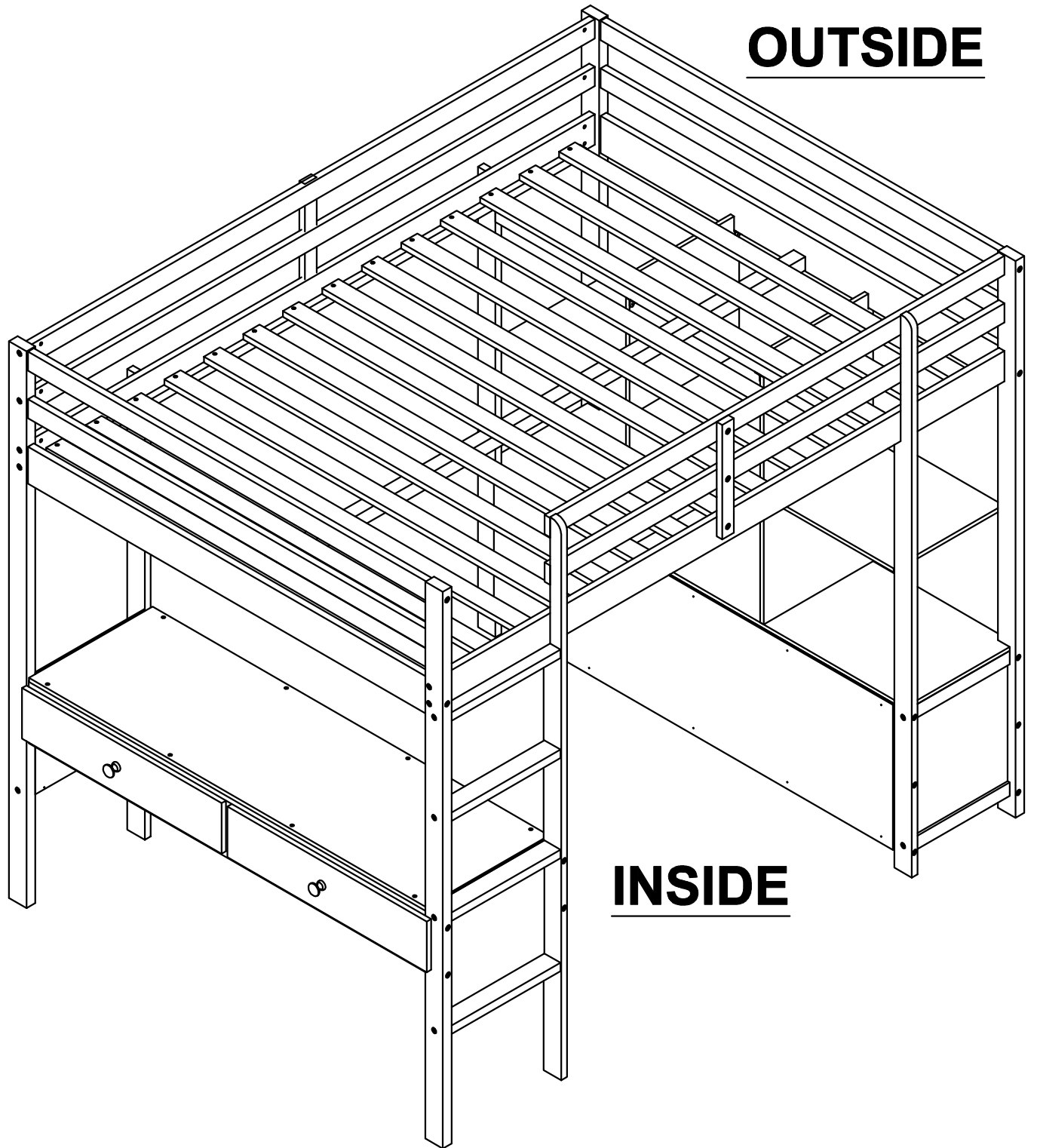
OUTSIDE



INSIDE

OUTSIDE

OPTION 2: DRAWER -OUTSIDE

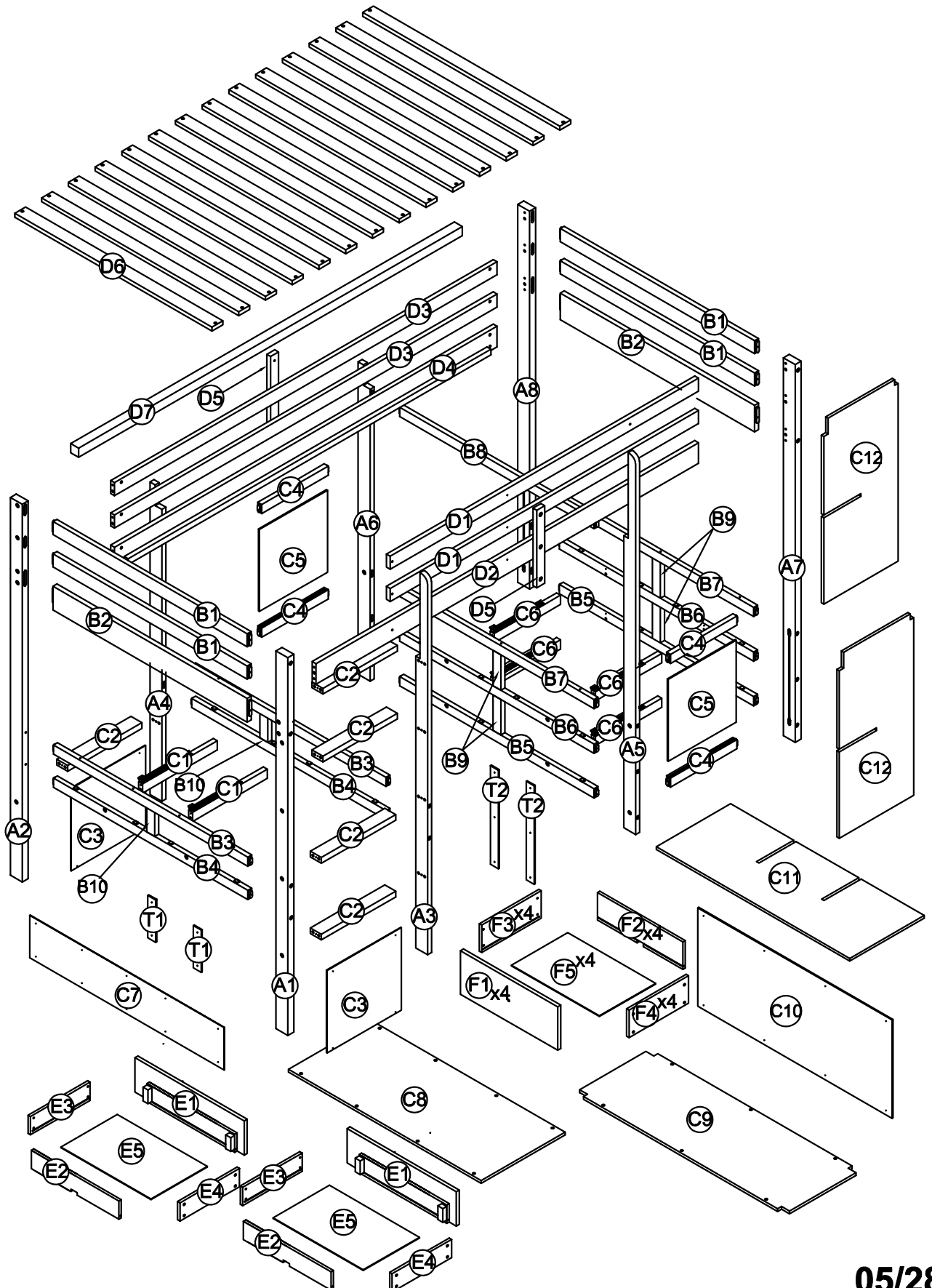


OUTSIDE



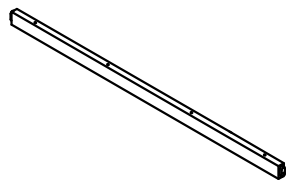
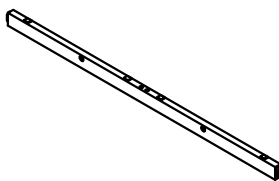



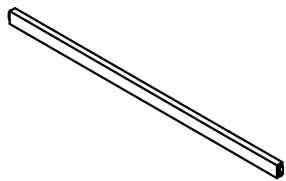
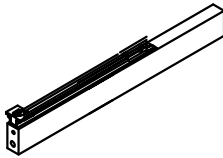
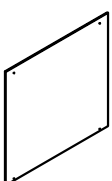
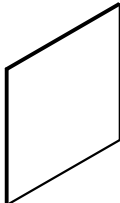
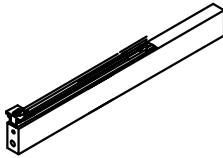

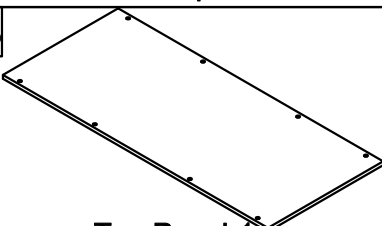
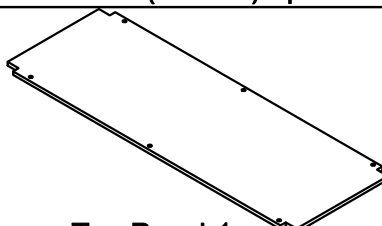
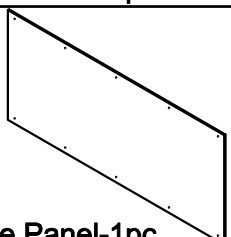
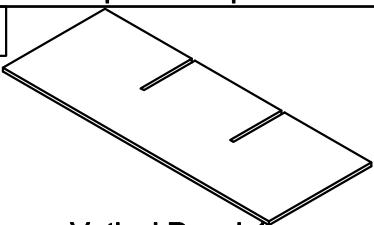
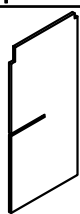
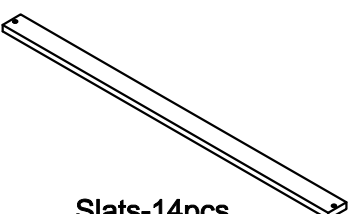
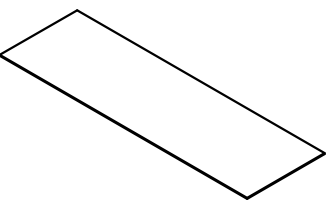
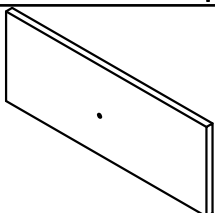
INSIDE

OUTSIDE

ASSEMBLY INSTRUCTION

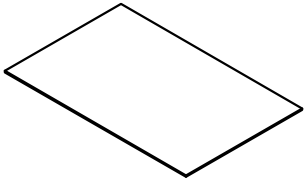


Part List(Box 1-WF295320)

<p>T1</p>  <p>Panels-2pcs</p>	<p>T2</p>  <p>Panels-2pcs</p>	<p>B3</p>  <p>Wood Bars-2pcs</p>
<p>B4</p>  <p>Wood Bars-2pcs</p>	<p>B5</p>  <p>Wood Bars-2pcs</p>	<p>B6</p>  <p>Wood Bars-2pcs</p>
<p>B7</p>  <p>Wood Bars-2pcs</p>	<p>B8</p>  <p>Wood Bar-1pc</p>	<p>C1</p>  <p>Wood Bar(Drawer)-2pcs</p>
<p>C3</p>  <p>Panels-2pcs</p>	<p>C5</p>  <p>Panels-2pcs</p>	<p>C6</p>  <p>Wood Bars(Drawer)-4pcs</p>
<p>C7</p>  <p>Side Panel-1pc</p>	<p>C8</p>  <p>Top Panel-1pc</p>	<p>C9</p>  <p>Top Panel-1pc</p>
<p>C10</p>  <p>Side Panel-1pc</p>	<p>C11</p>  <p>Vertical Panel-1pc</p>	<p>C12</p>  <p>Horizontal Panels-2pcs</p>
<p>D6</p>  <p>Slats-14pcs</p>	<p>E5</p>  <p>Drawer-Bottom Panels-2pcs</p>	<p>F1</p>  <p>Drawer-Front Panels-4pcs</p>










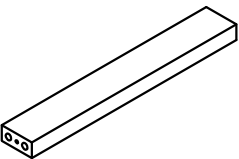
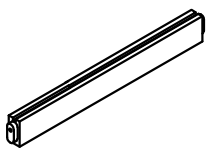
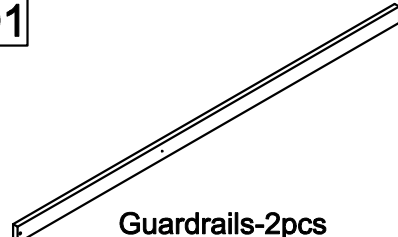
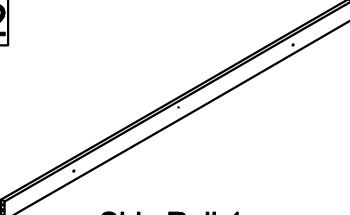
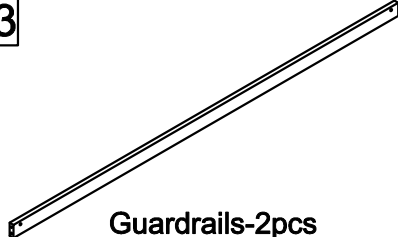
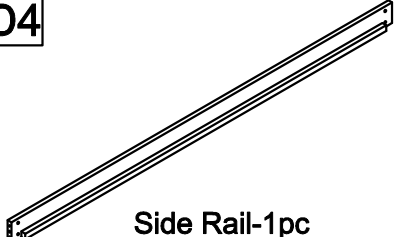

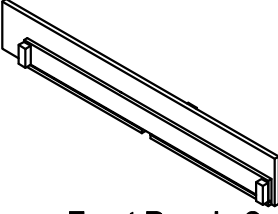
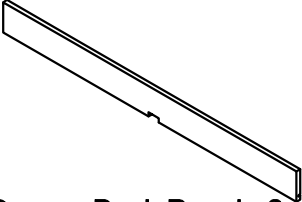
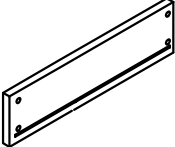
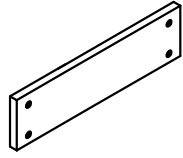
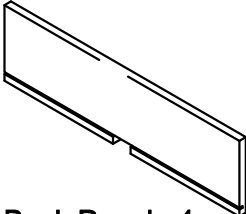
Part List(Box 1-WF295320)

F5

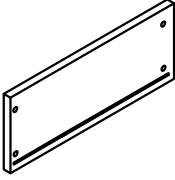
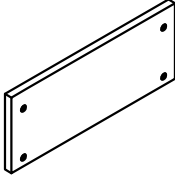

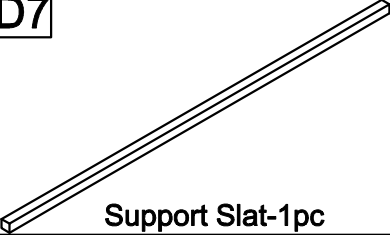
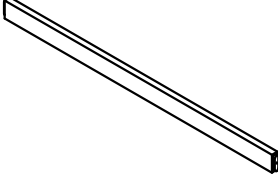



Drawer-Bottom Panels-4pcs

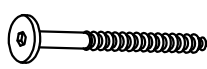
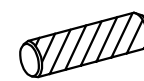
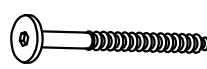
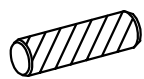
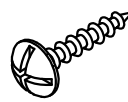
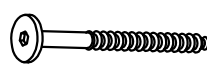

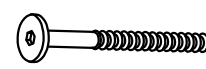
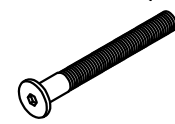


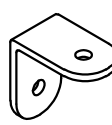




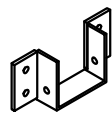

Part List & Hardware List(Box 2-WF295321)

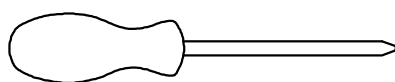
<p>A1</p>  <p>Leg-1pc</p>	<p>A2</p>  <p>Leg-1pc</p>	<p>A3</p>  <p>Leg-1pc</p>
<p>A4</p>  <p>Leg-1pc</p>	<p>A5</p>  <p>Leg-1pc</p>	<p>A6</p>  <p>Leg-1pc</p>
<p>A7</p>  <p>Leg-1pc</p>	<p>A8</p>  <p>Leg-1pc</p>	<p>B9</p>  <p>Wood Bars-4pcs</p>
<p>C2</p>  <p>Step Stairs-5pcs</p>	<p>C4</p>  <p>Wood Bars-4pcs</p>	<p>D1</p>  <p>Guardrails-2pcs</p>
<p>D2</p>  <p>Side Rail-1pc</p>	<p>D3</p>  <p>Guardrails-2pcs</p>	<p>D4</p>  <p>Side Rail-1pc</p>
<p>D5</p>  <p>Rails-2pcs</p>	<p>E1</p>  <p>Drawer-Front Panels-2pcs</p>	<p>E2</p>  <p>Drawer-Back Panels-2pcs</p>
<p>E3</p>  <p>Drawer-Side Panels-2pcs</p>	<p>E4</p>  <p>Drawer-Side Panels-2pcs</p>	<p>F2</p>  <p>Drawer-Back Panels-4pcs</p>

Part List & Hardware List(Box 2-WF295321)

F3  Drawer-Side Panels-4pcs	F4  Drawer-Side Panels-4pcs	B10  Wood Bars-2pcs
D7  Support Slat-1pc	B1  Wood Bars-4pcs	B2  Wood Bars-2pcs

Hardware List(Box 2-WF295321)

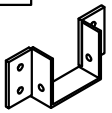
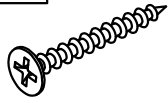
<p>1</p>  <p>Screws 1/4" x80 28pcs</p>	<p>2</p>  <p>Ø8 x 30 mm Wood dowel 36pcs</p>	<p>3</p>  <p>Screws 1/4" x50 18pcs</p>
<p>4</p>  <p>Ø10 x 40 mm Wood dowel 30pcs</p>	<p>5</p>  <p>M4 x 15 mm Wood Screws 34pcs</p>	<p>6</p>  <p>Screws 1/4" x30 26pcs</p>
<p>7</p>  <p>M4 x 30 mm Wood Screws 76pcs</p>	<p>8</p>  <p>Screws 1/4" x40 14pcs</p>	<p>9</p>  <p>Ø1/4" x 80 mm Hex-Head bolts 14pcs</p>
<p>10</p>  <p>Ø1/4" x 13 mm Horizontal-Hole bolts 14pcs</p>	<p>11</p>  <p>M3.5 x 12 mm Wood Screws 24pcs</p>	<p>12</p>  <p>Steel Bracket 12pcs</p>
<p>13</p>  <p>Ø1/6" x 25 mm Hex-Head bolts 6pcs</p>	<p>14</p>  <p>Handle Wood 6pcs</p>	<p>15</p>  <p>Runner(6pcs) 290*30mm</p>
<p>16</p>  <p>Allen Key 1pc</p>	<p>17</p>  <p>Steel Bracket 2pc</p>	<p>18</p>  <p>M4 x 20 mm Wood Screws 8pcs</p>

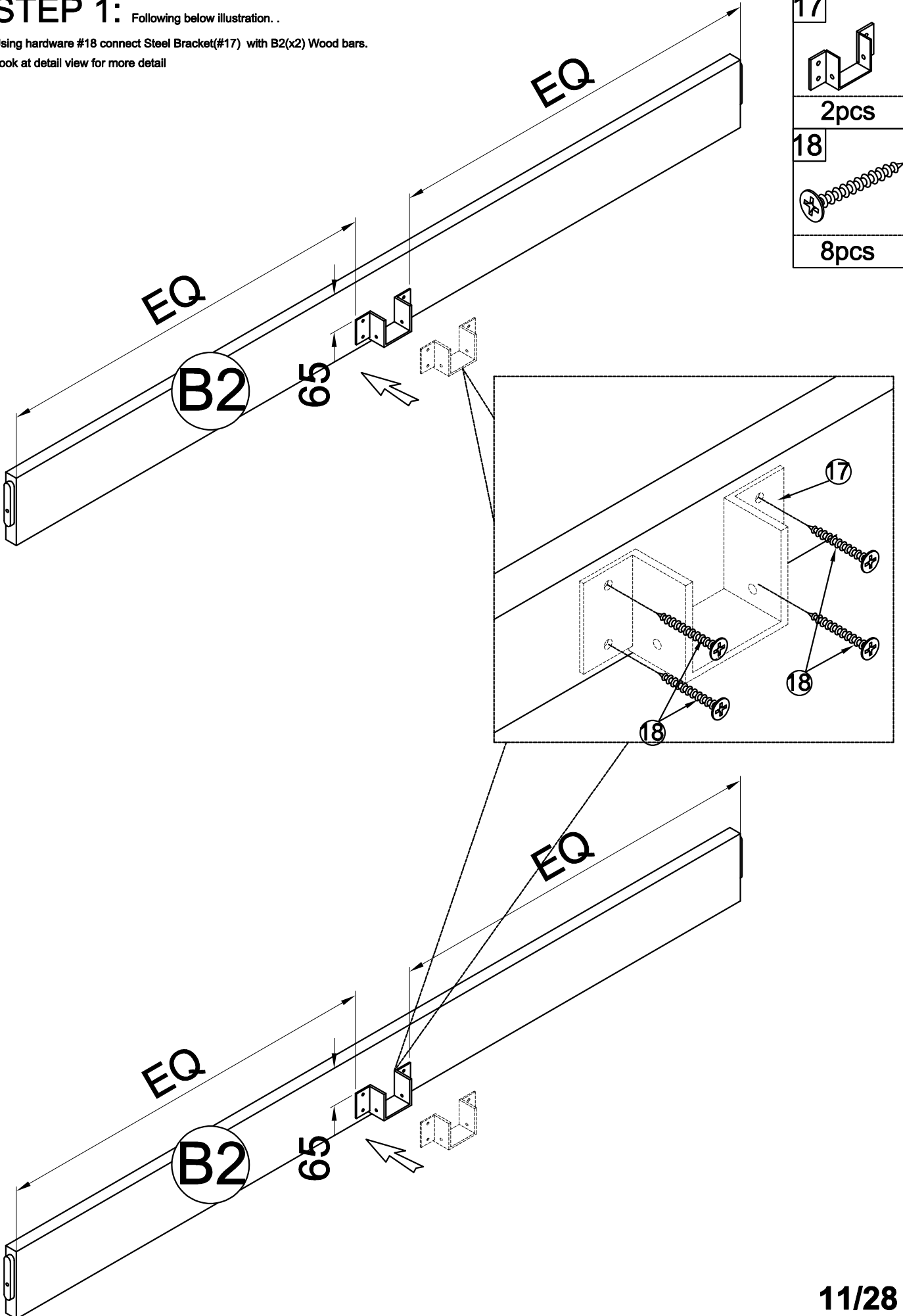


Assembly Tools Required (Not Included)

STEP 1: Following below illustration. .

Using hardware #18 connect Steel Bracket(#17) with B2(x2) Wood bars.
Look at detail view for more detail

17	
	2pcs
18	
	8pcs






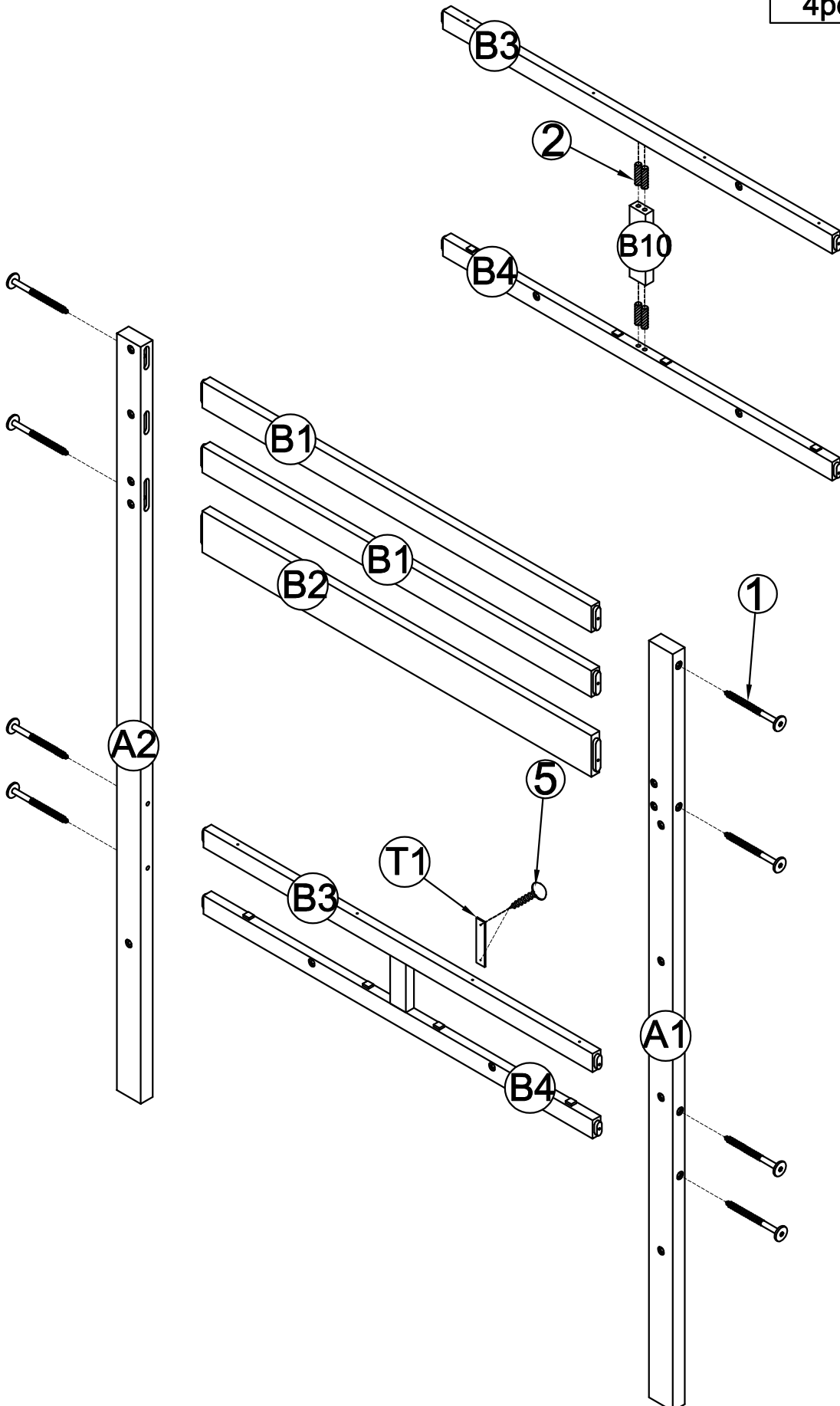
STEP 2: Following below illustration

2.1: Using Dowel #2 Fix B10 with B3, B4 Wood bars

2.2: Using hardware #1 connect A1, A2 legs with B1(x2), B3, B4 Wood bars




2.3: Using hardware #5 connect T1 with Frame (completed on step 2.2)

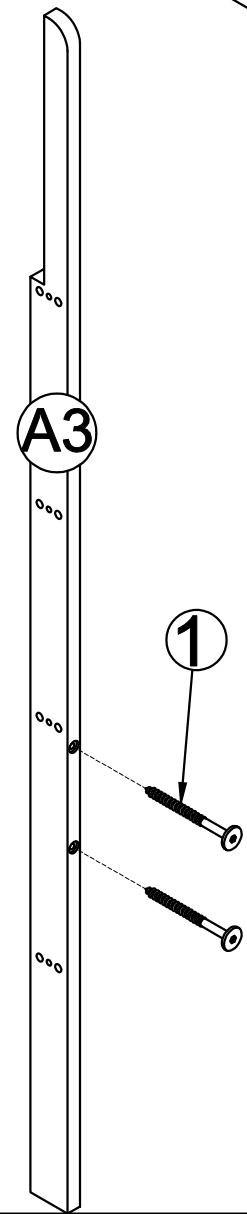
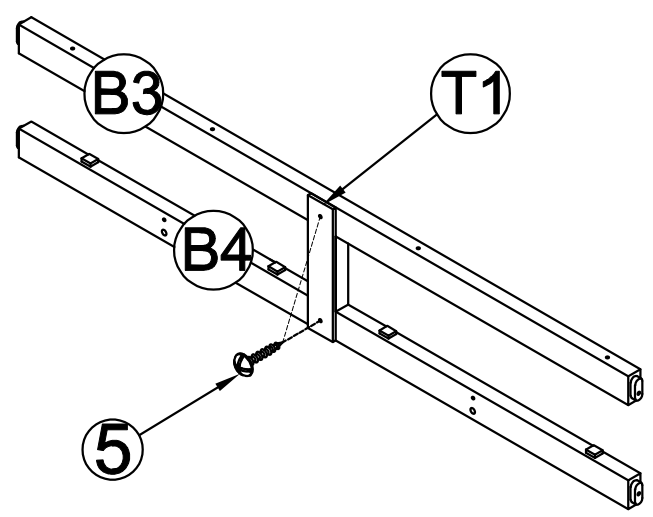
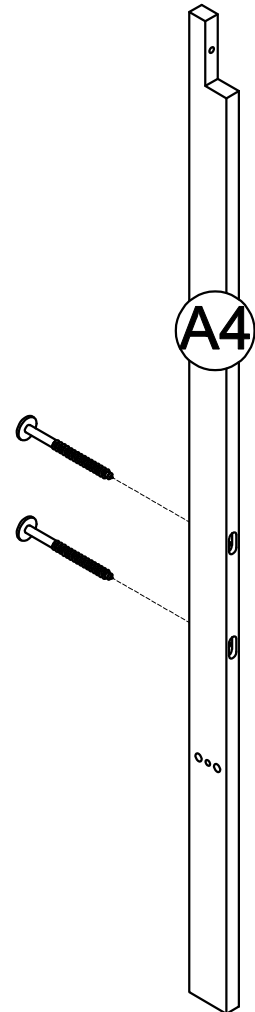
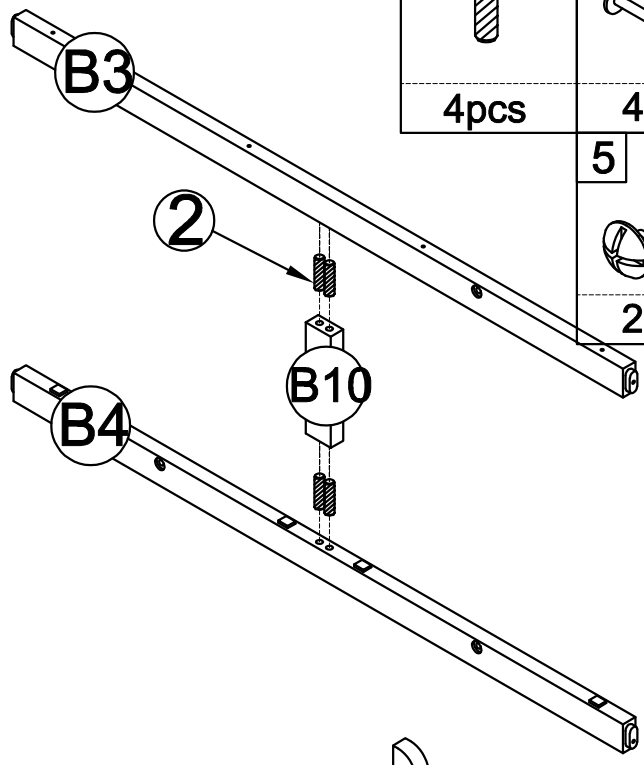
2		1	
4pcs		8pcs	
		5	
		2pcs	



STEP 3: Following below illustration

- 3.1: Using Dowel #2 Fix B10 with B3,B4 Wood bars
- 3.2: Using hardware #1 connect A3,A4 legs with B3,B4 Wood bars
- 3.3: Using hardware #5 connect T1 with Frame(completed on step 3.2)

2		1	
4pcs		4pcs	
		5	
		2pcs	

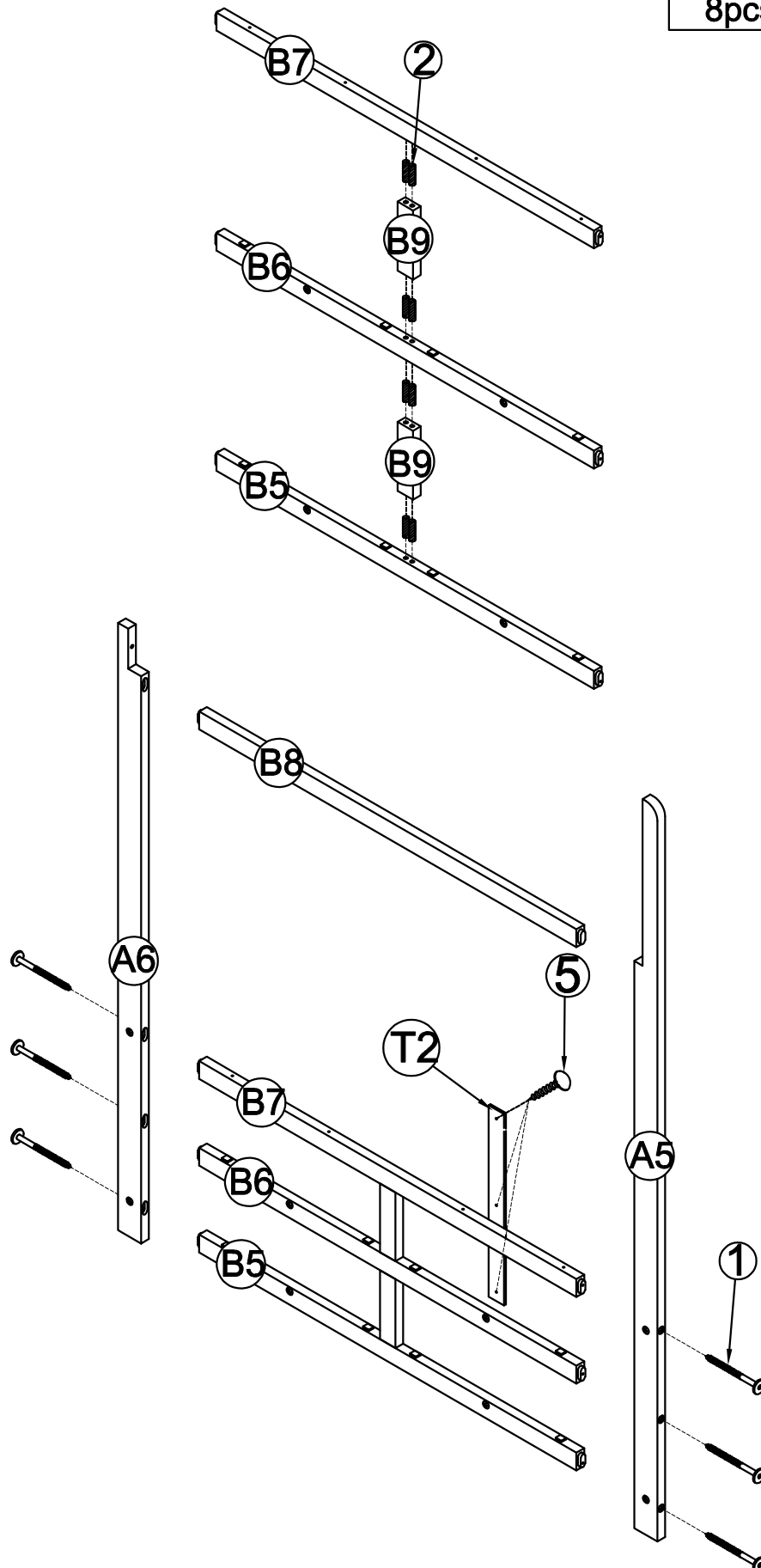




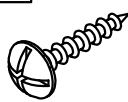
STEP 4: Following below illustration

4.1: Using Dowel #2 Fix B9(x2) with B5,B6,B7 Wood bars

4.2: Using hardware #1 connect A5,A6 legs with B5,B6,B7,B8 Wood bars

4.3: Using hardware #5 connect T2 with Frame(completed on step 4.2)





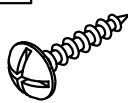
2		1	
8pcs		6pcs	
		5	
		3pcs	

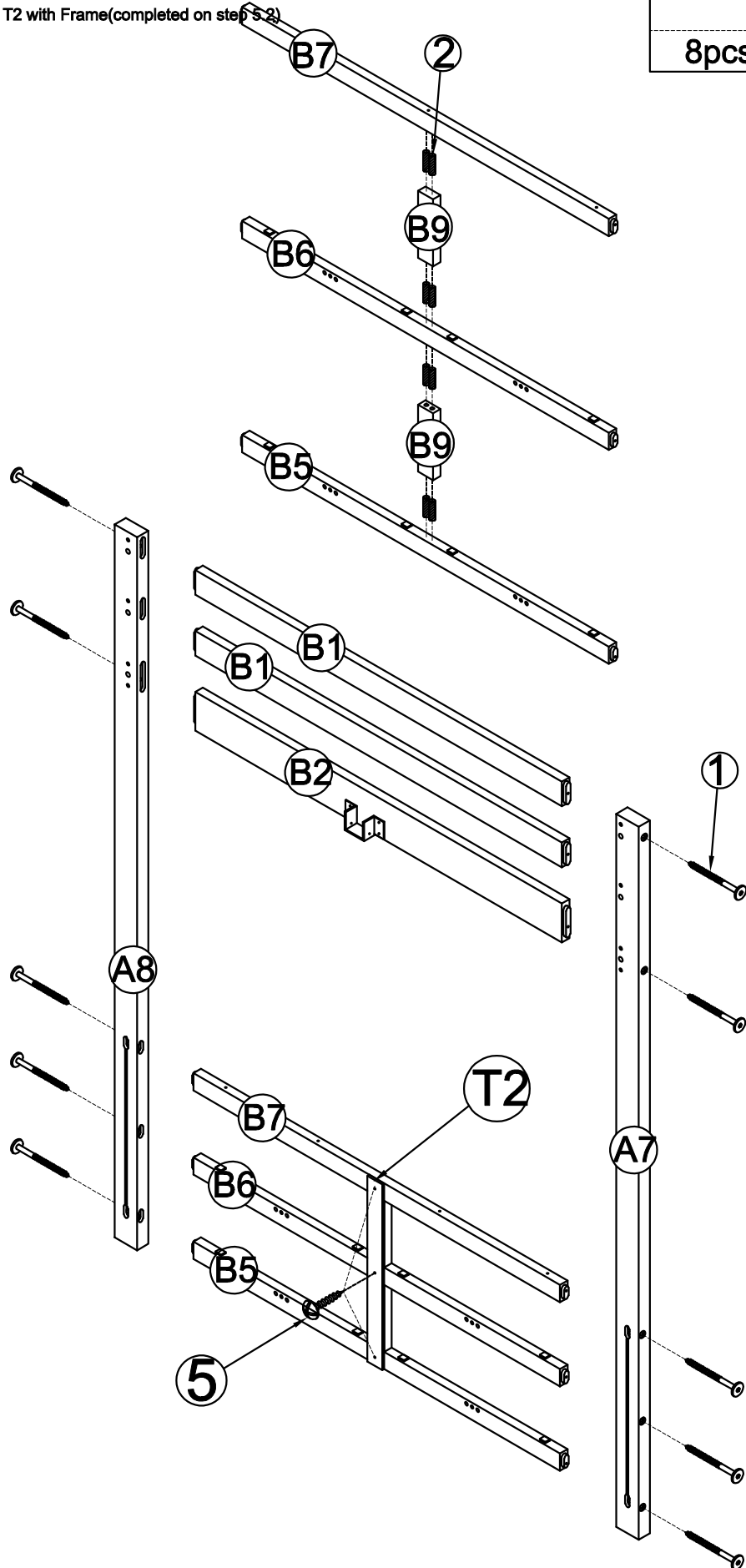
STEP 5: Following below illustration

5.1: Using Dowel #2 Fix B9(x2) with B5,B6,B7 Wood bars

5.2: Using hardware #1 connect A7,A8 legs with B1(x2),B2,B5,B6,B7 Wood bars

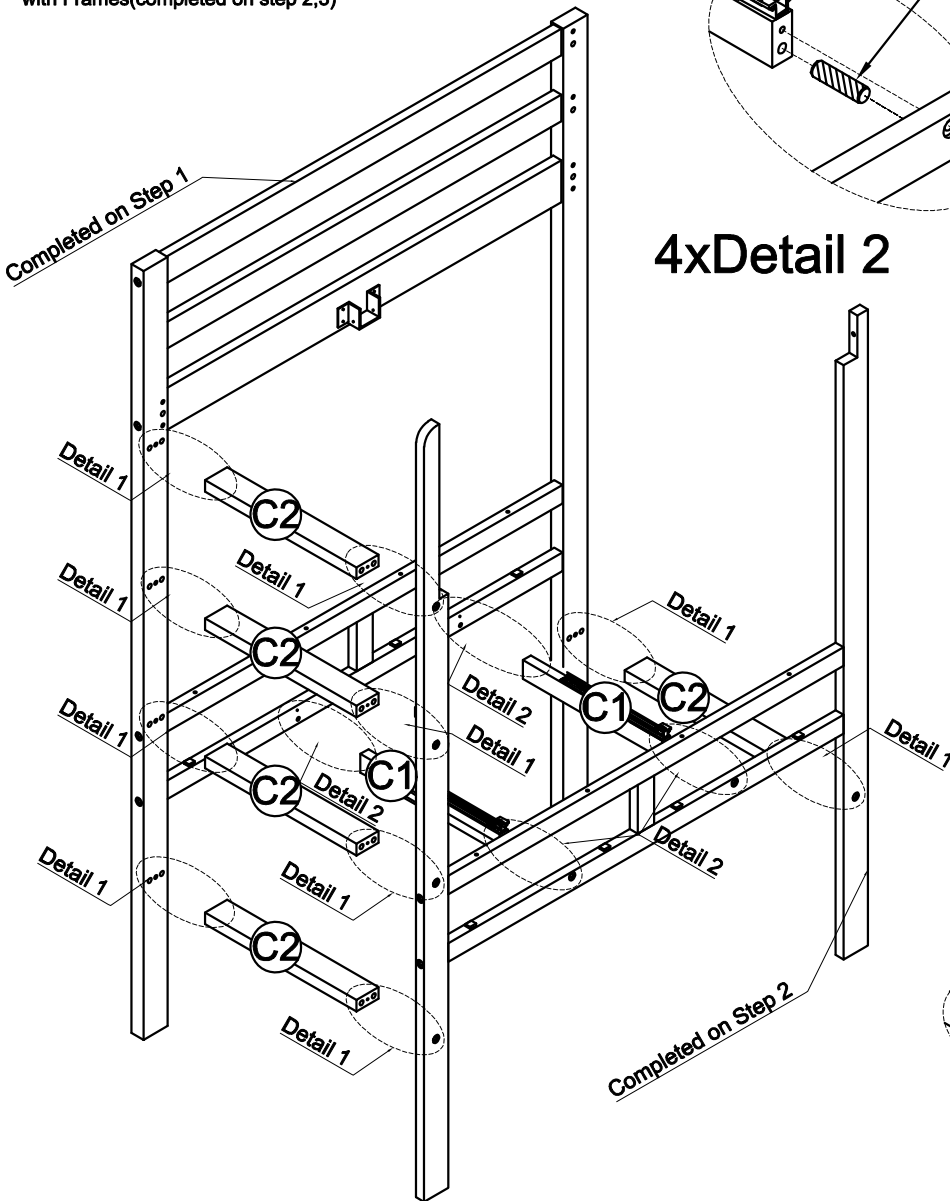
5.3: Using hardware #5 connect T2 with Frame(completed on step 5.2)

<p>2</p>  <p>8pcs</p>	<p>1</p>  <p>10pcs</p>
<p>5</p>  <p>3pcs</p>	







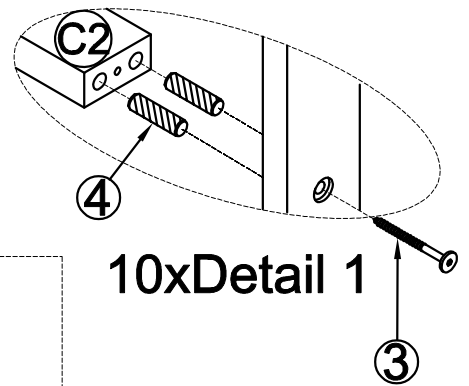
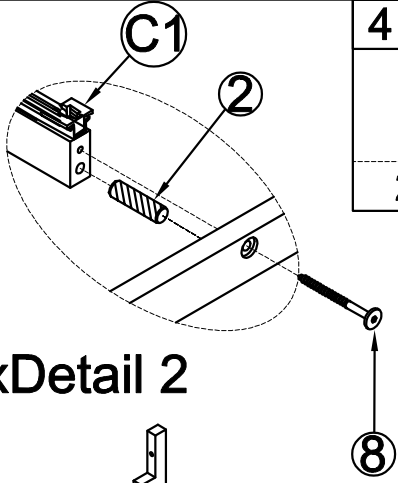
STEP 6: Following below illustration

-Using hardware #3,#8 and Dowel 2,4 connect C1(x2),C2(x5) Wood Bars with Frames(completed on step 2,3)



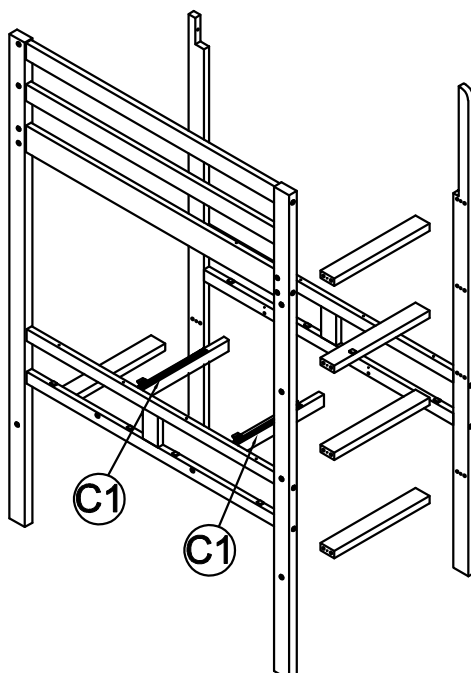
4xDetail 2

4		3	
20pcs		10pcs	
2			
4pcs			
8			
4pcs			



10xDetail 1

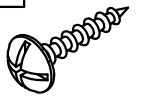
OPTION 2



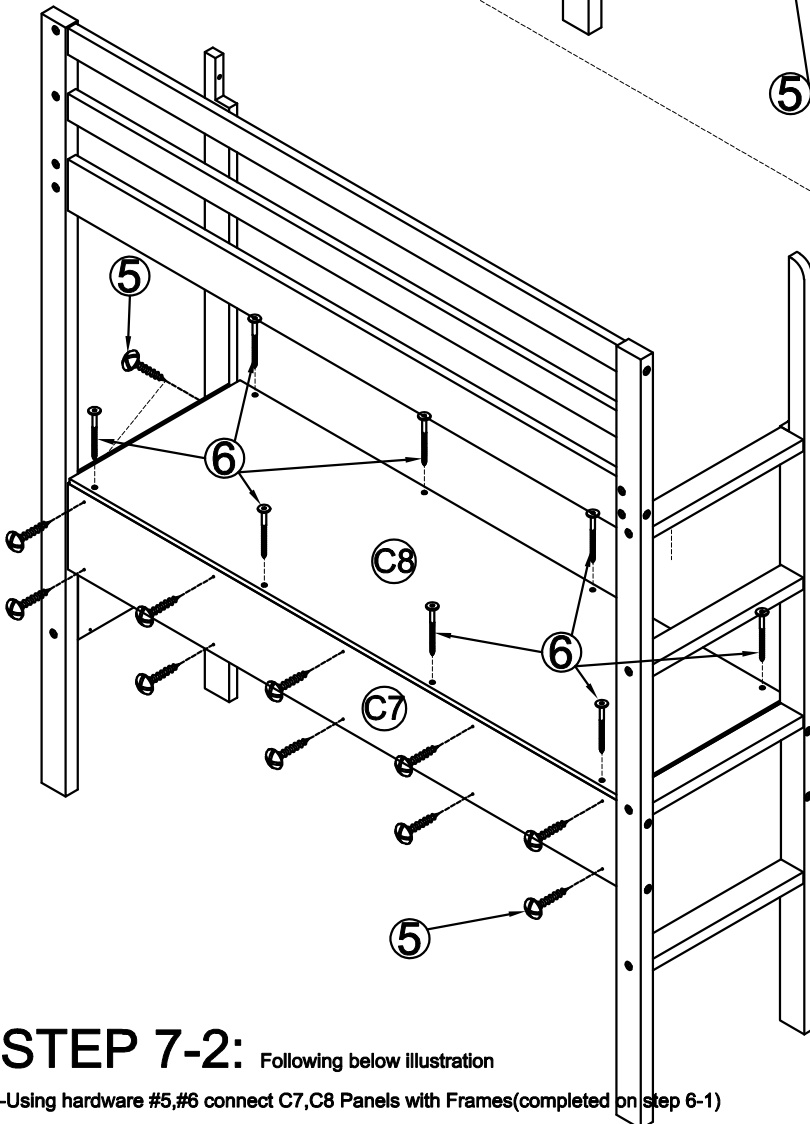
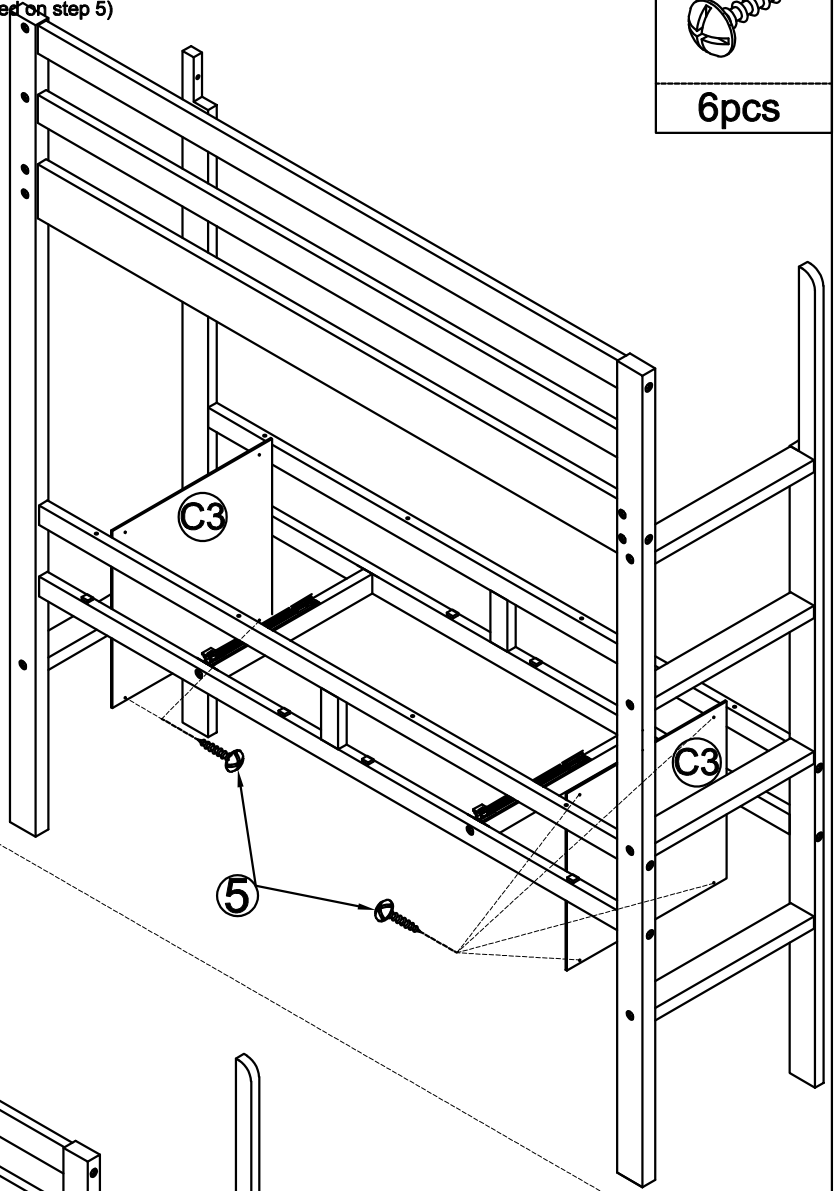
STEP 7-1: Following below illustration

-Using hardware #5 connect C3(x2) Panels with Frames (completed on step 5)

5



6pcs

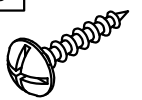


6



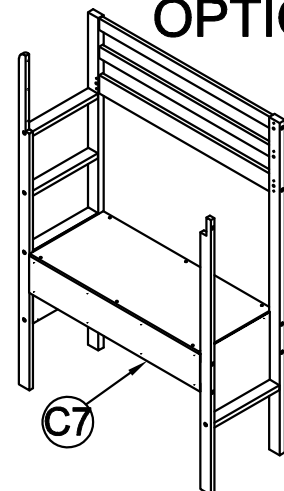
8pcs

5



12pcs

OPTION 2

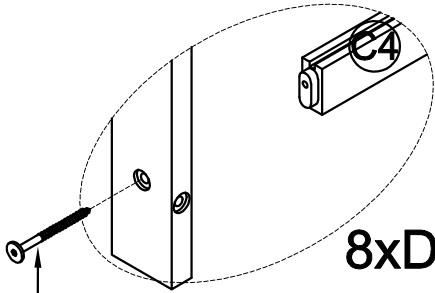


STEP 7-2: Following below illustration

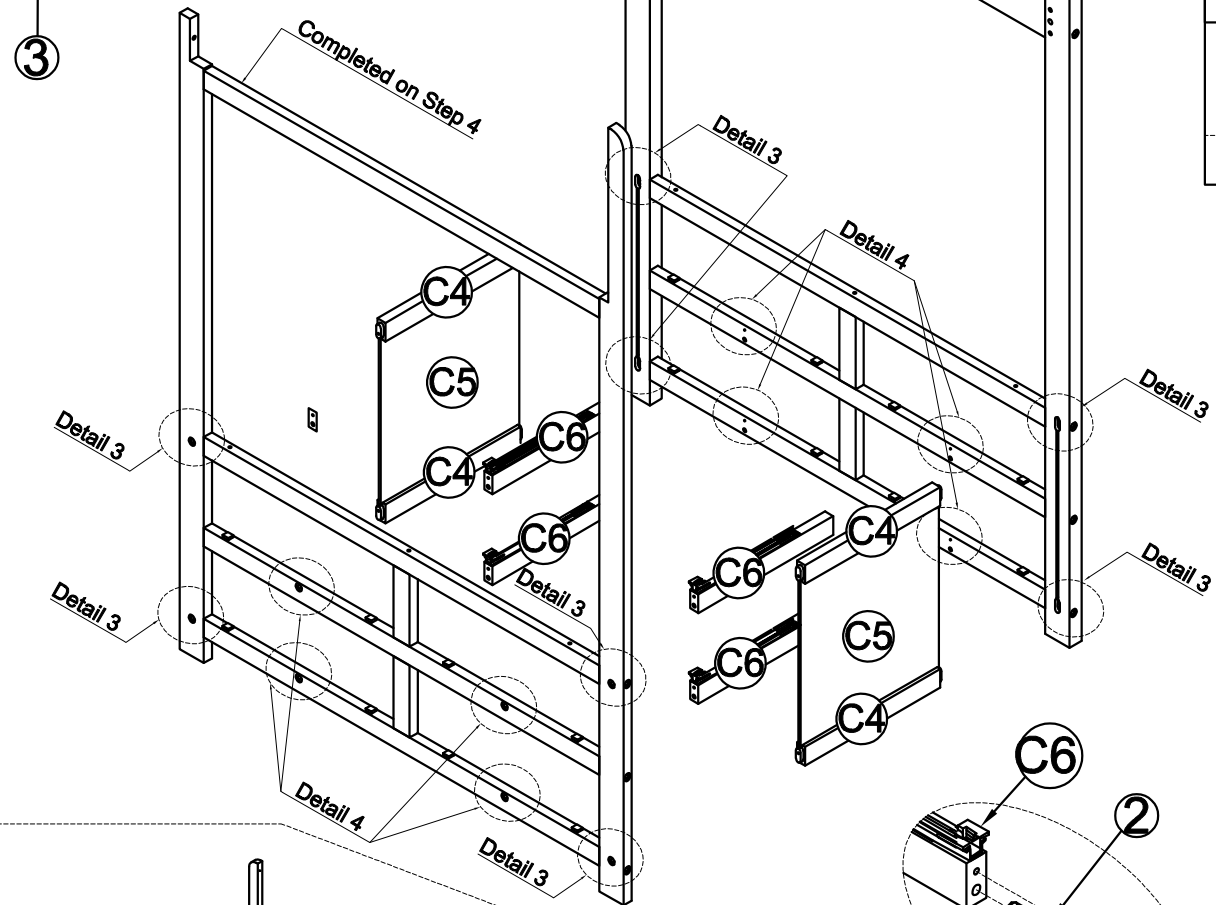
-Using hardware #5,#6 connect C7,C8 Panels with Frames (completed on step 6-1)

STEP 8: Following below illustration

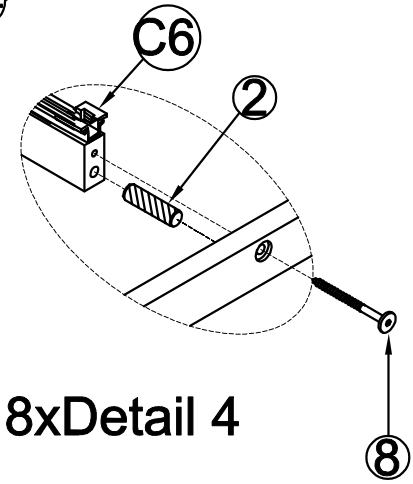
-Using hardware #3,#8 and Dowel 2 connect C4(x2),C6(x4) Wood Bars and C5(x2) panels with Frames(completed on step 4,5)



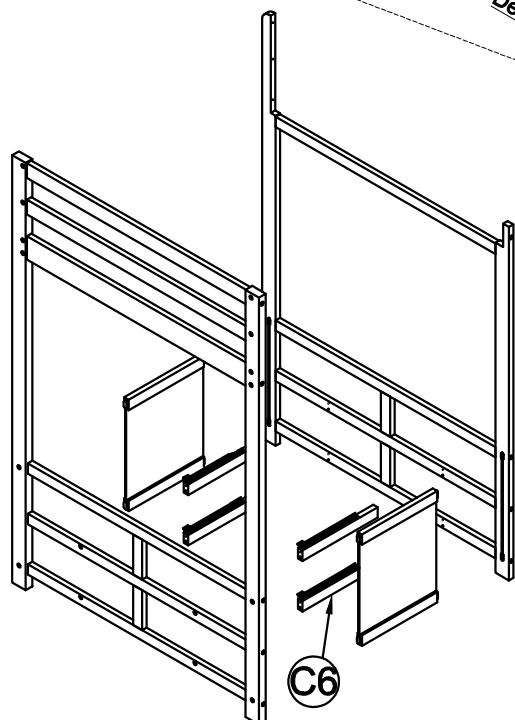
8xDetail 3



8	
8pcs	
2	
8pcs	
8	
8pcs	

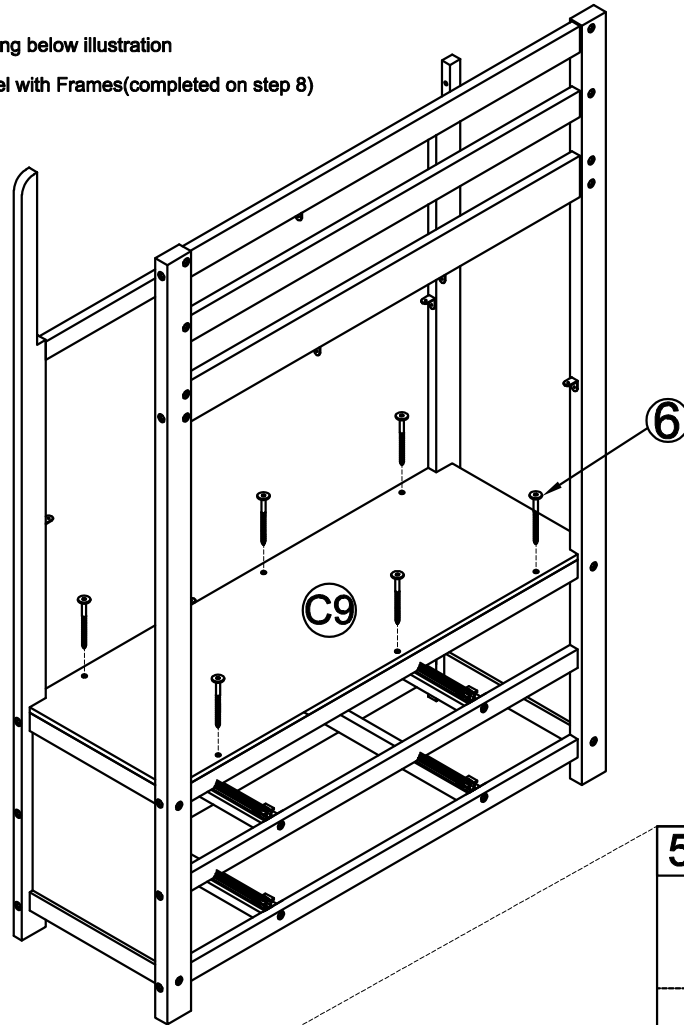



8xDetail 4



STEP 9-1: Following below illustration

-Using hardware #6 connect C9 Panel with Frames(completed on step 8)

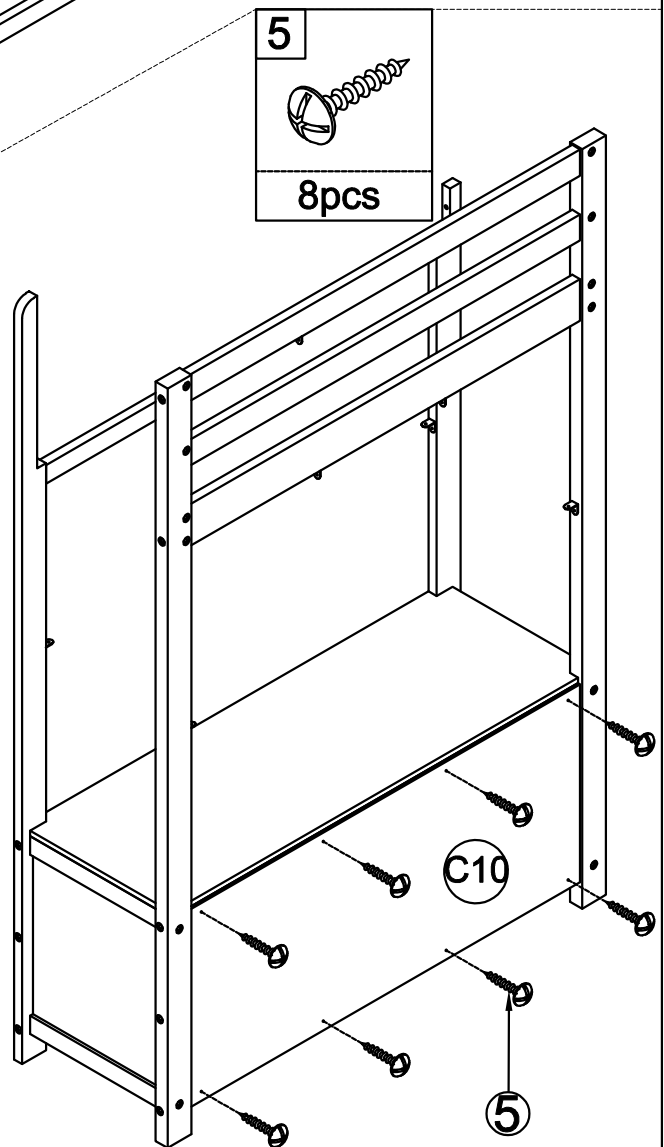
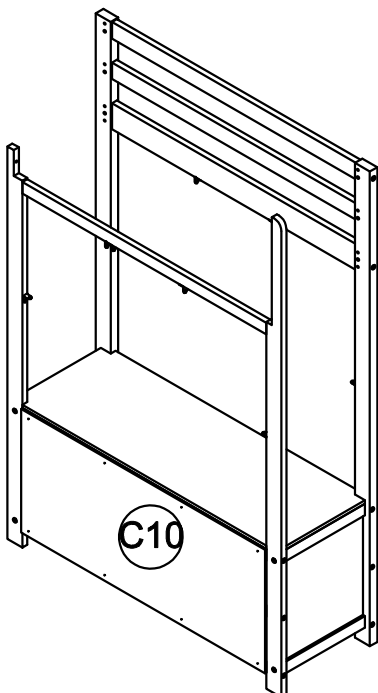


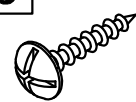
6

6pcs

STEP 9-2: Following below illustration

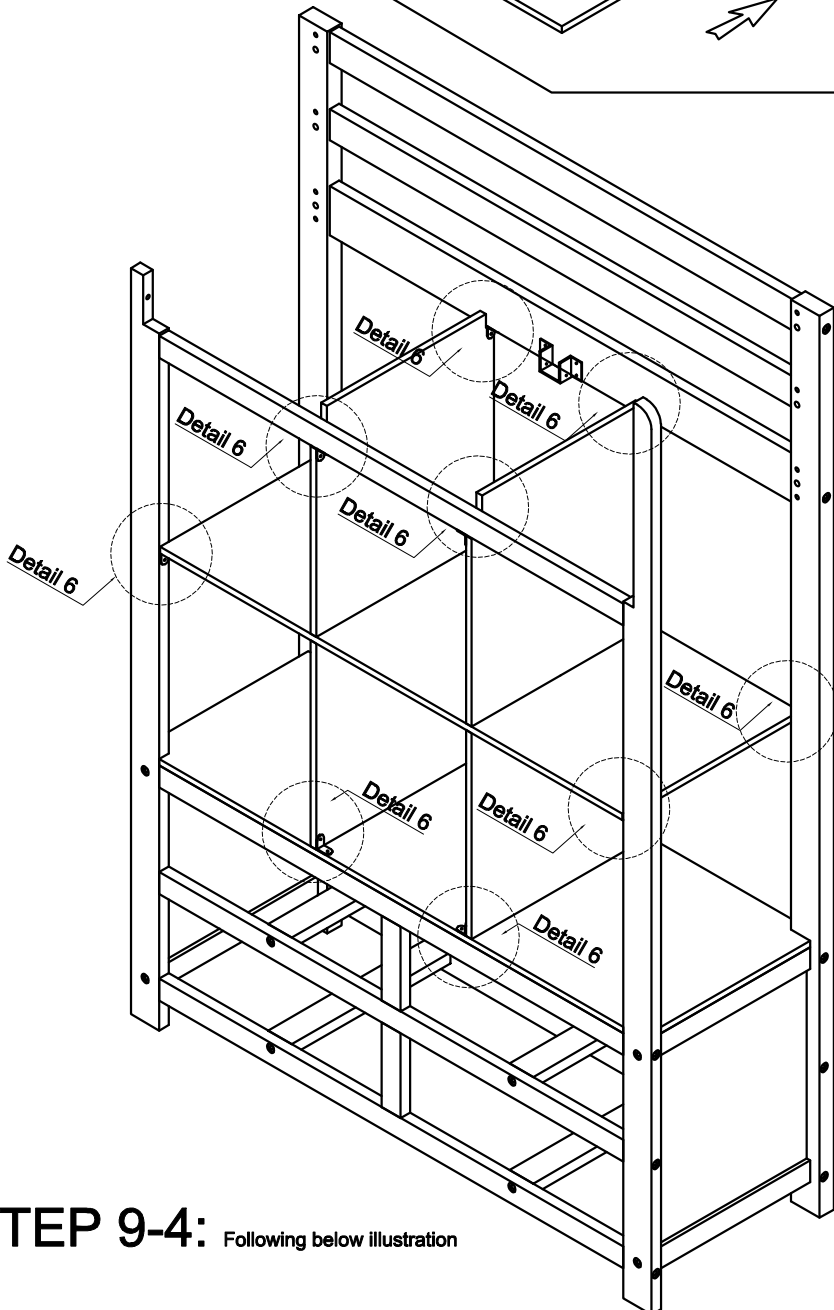
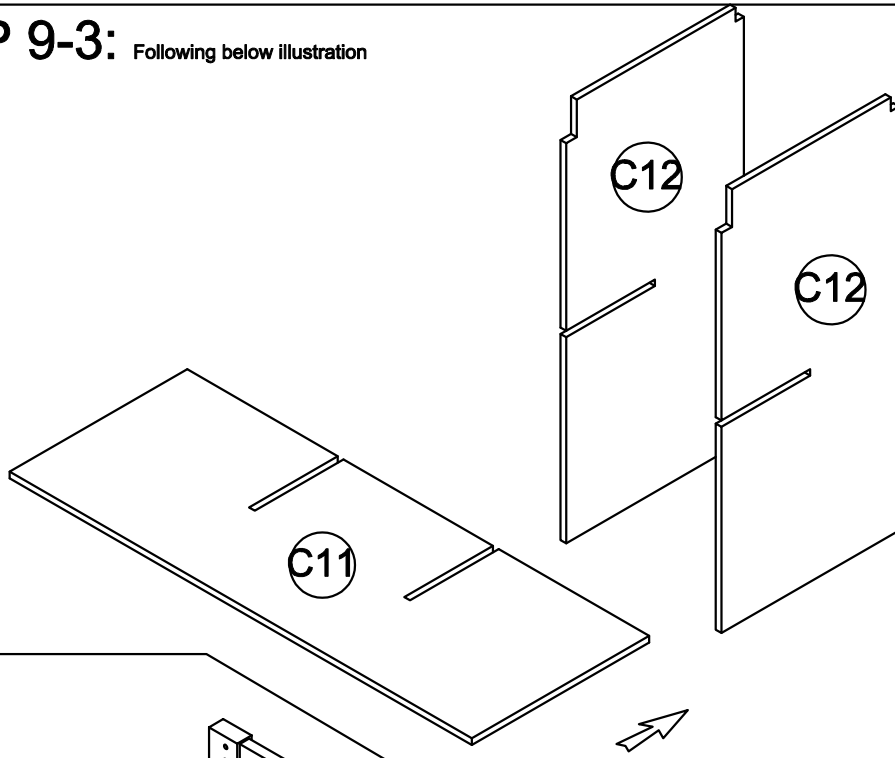
-Using hardware #5 connect C10 Panel with Frames(completed on step 9-1)



OPTION 2

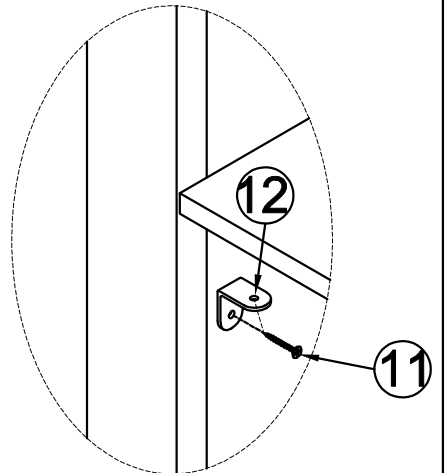


5

8pcs

STEP 9-3: Following below illustration



11

24pcs
12

12pcs



12xDetail 6

STEP 9-4: Following below illustration

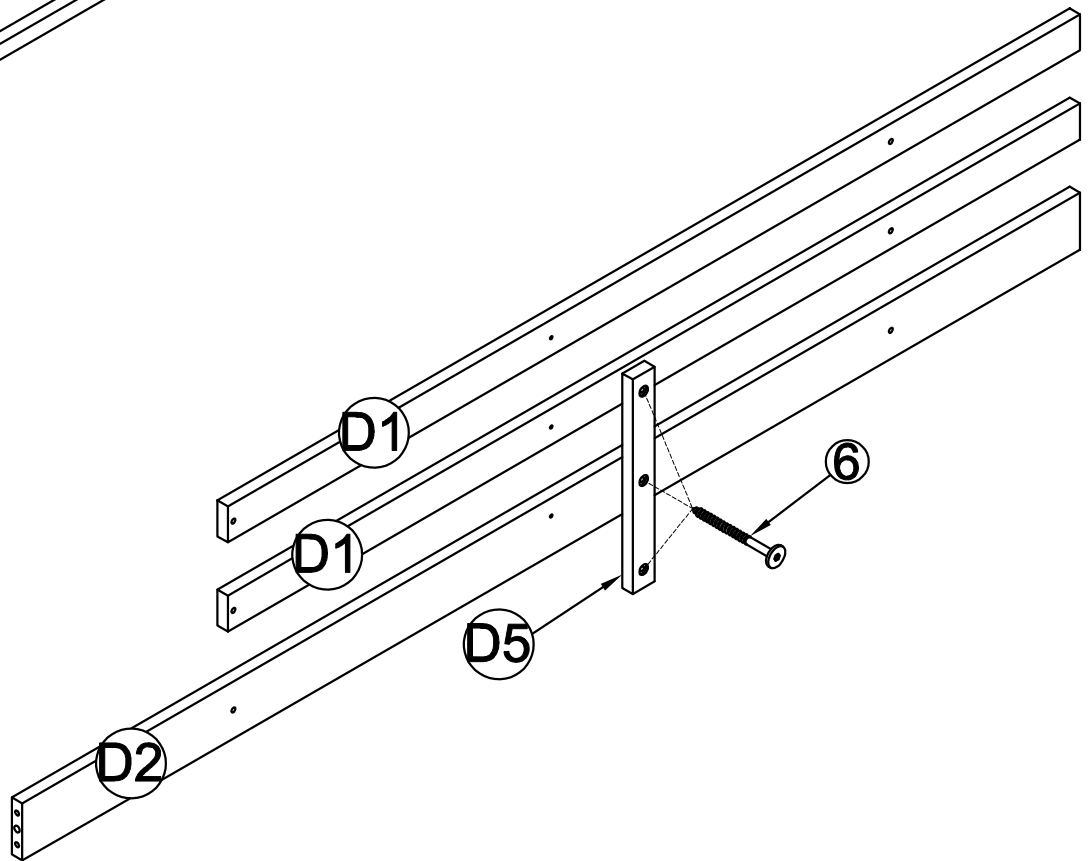
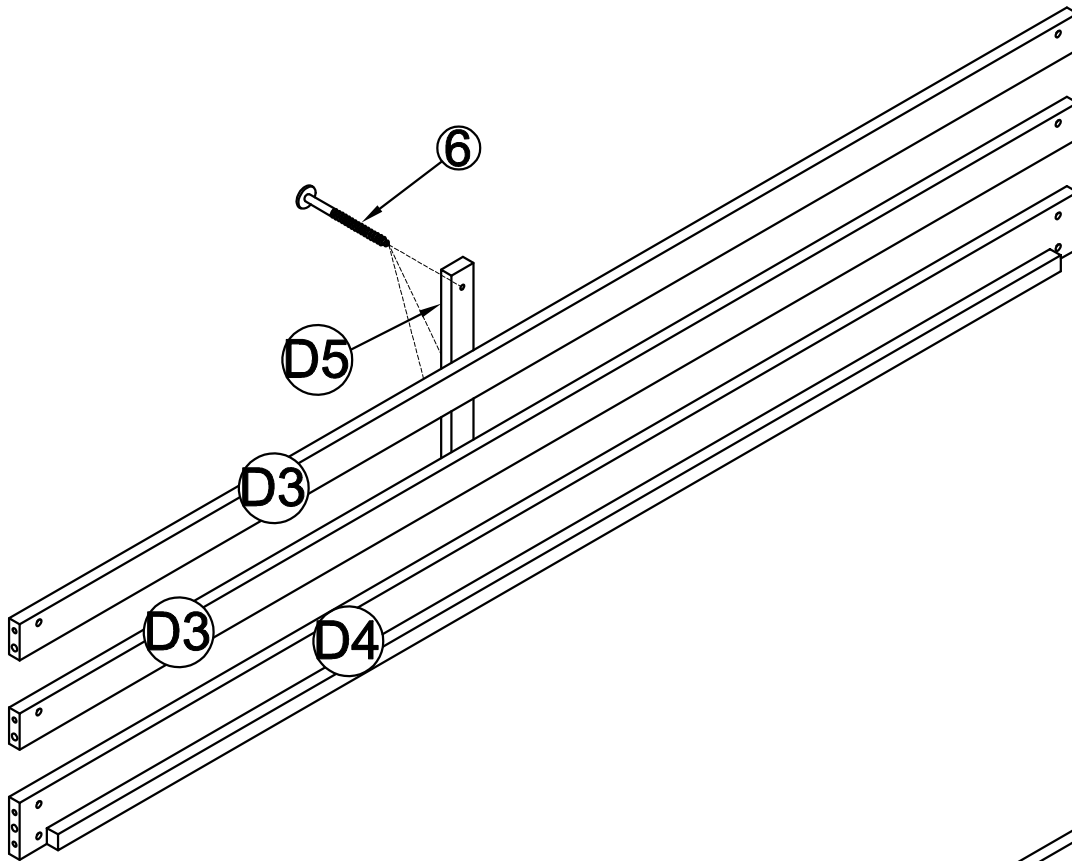
STEP 10: Following below illustration

- Using hardware #6 connect D3(x2) Guardrails and Side Rail D5 with D5 Rail
- Using hardware #6 connect D1(x2) Guardrails and Side Rail D2 with D5 Rail

6

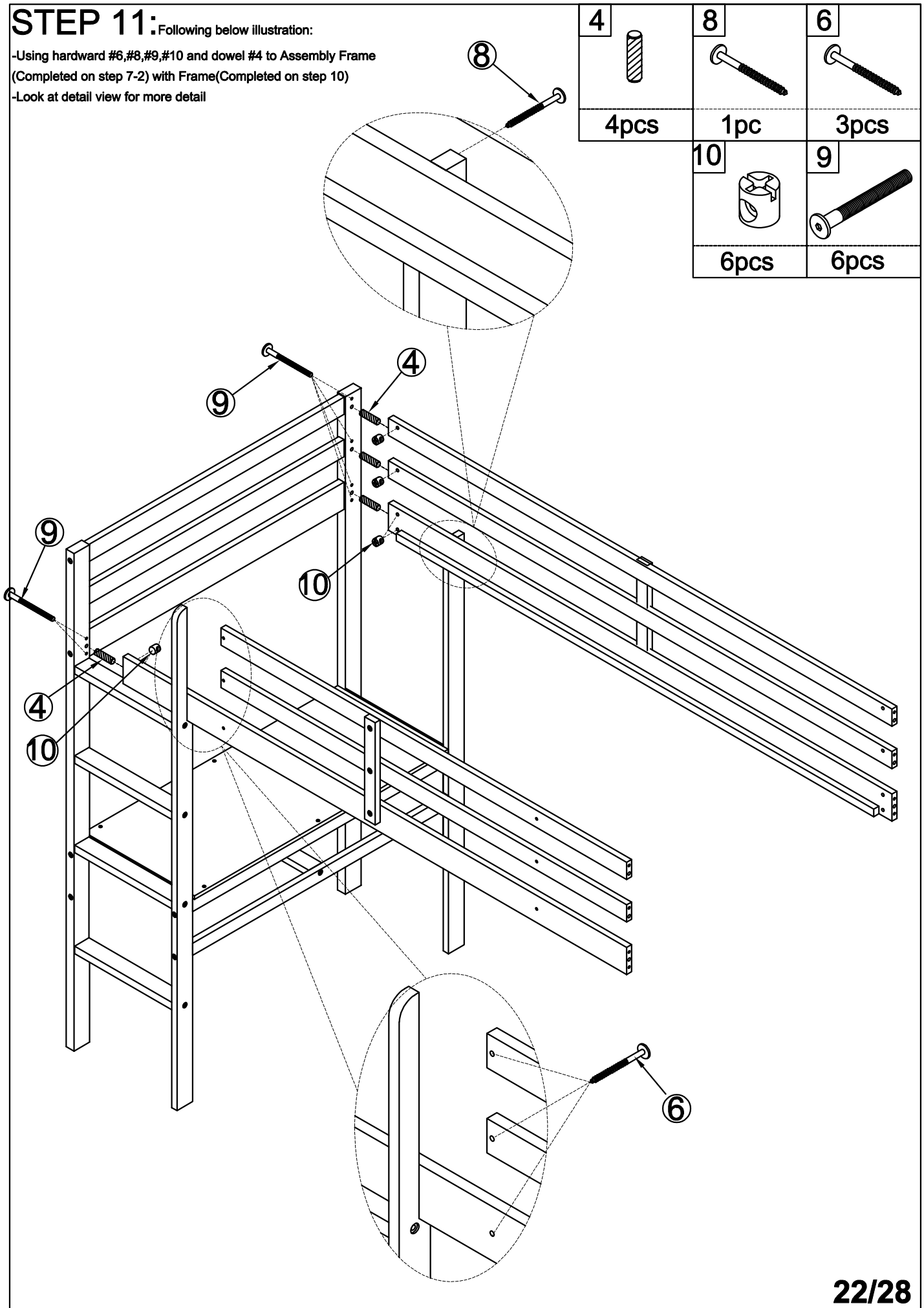


6pcs







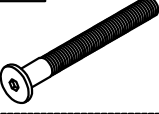
STEP 11: Following below illustration:

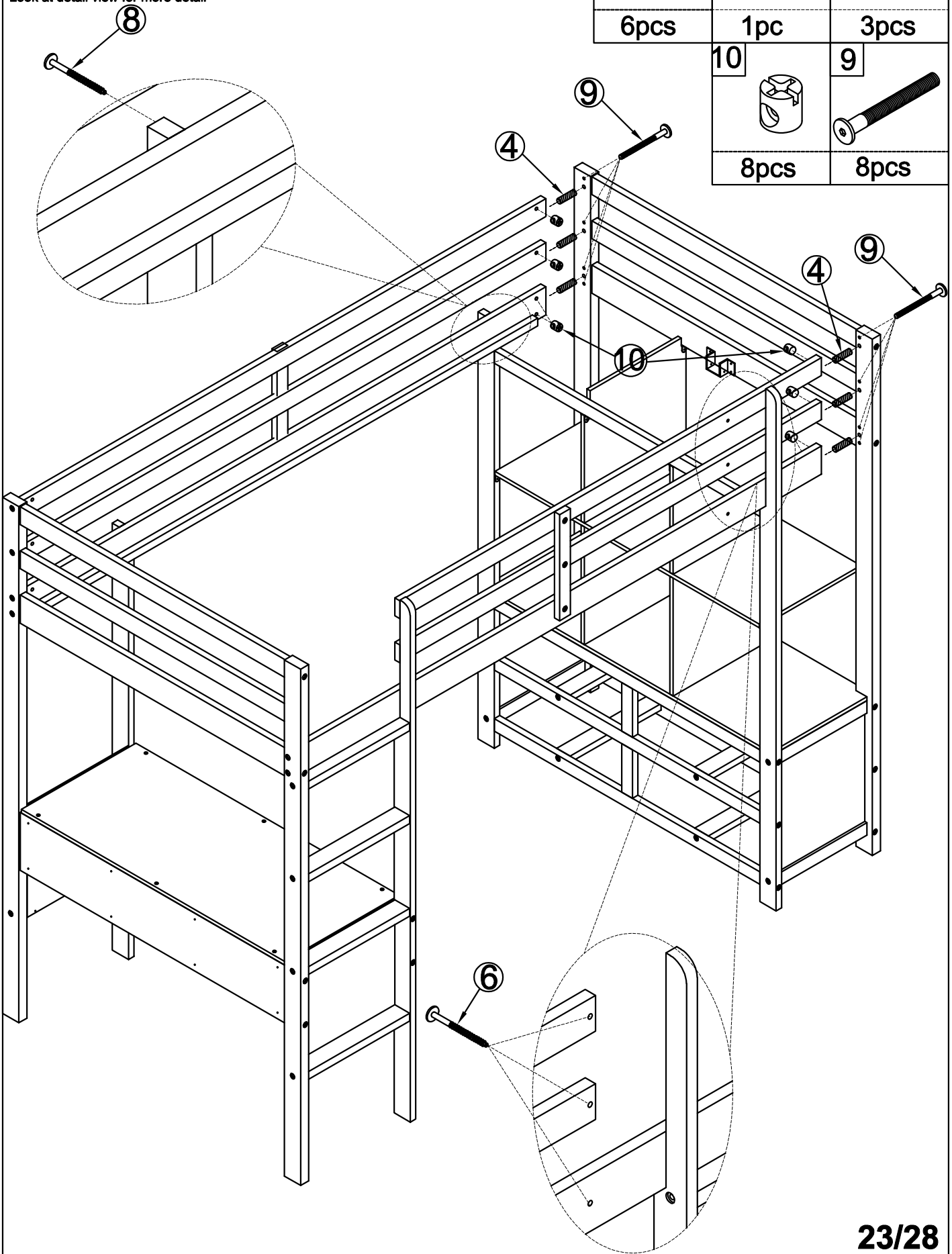
-Using hardware #6,#8,#9,#10 and dowel #4 to Assembly Frame
(Completed on step 7-2) with Frame(Completed on step 10)
-Look at detail view for more detail



STEP 12: Following below illustration:

-Using hardware #6, #8, #9, #10 and dowel #4 to Assembly Frame
(Completed on step 9-4) with Frame (Completed on step 11)
-Look at detail view for more detail

4		8		6	
6pcs		1pc		3pcs	
10			9		
					
8pcs			8pcs		



STEP 13:

Following below illustration:

Put D7 into it position

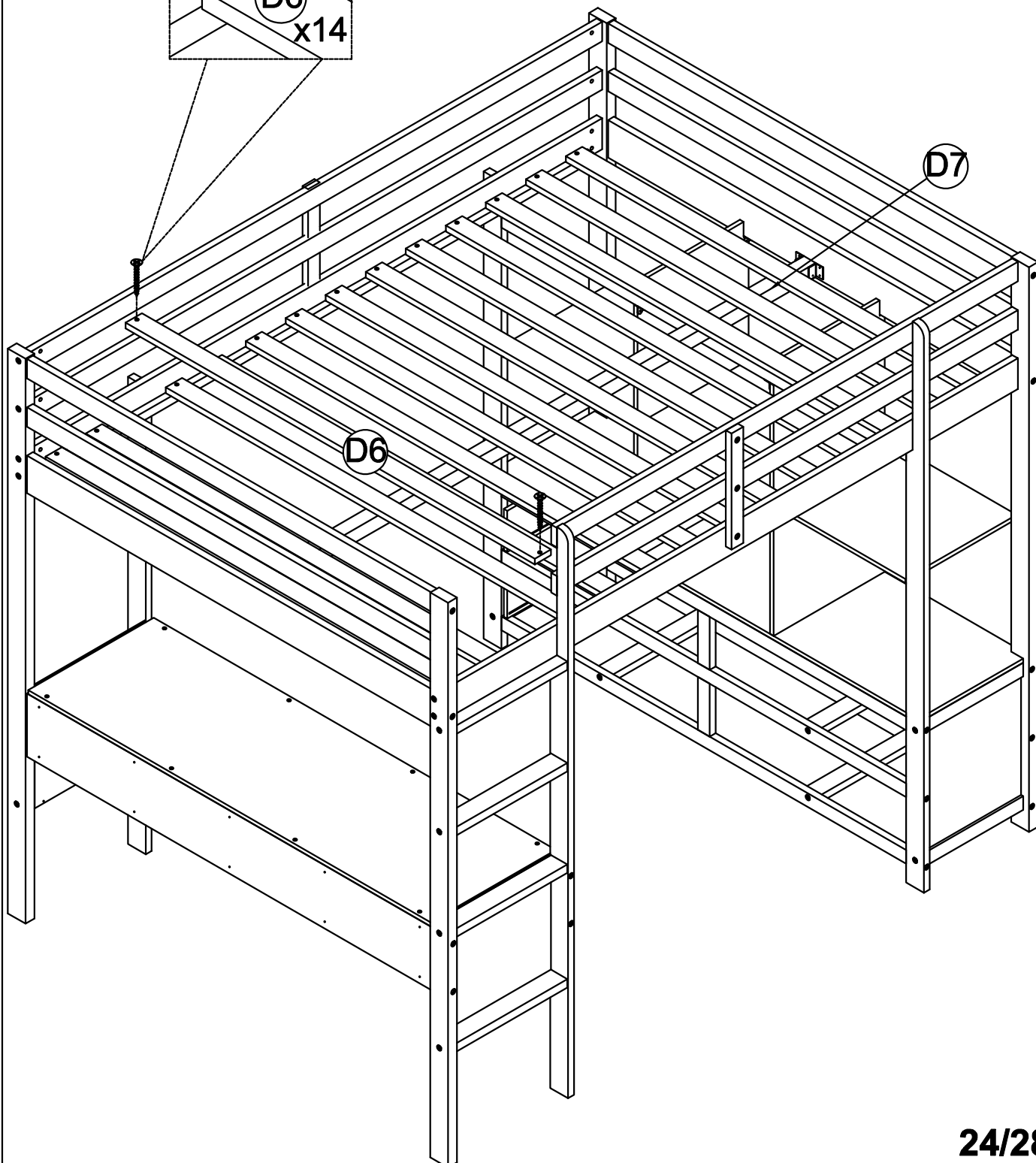
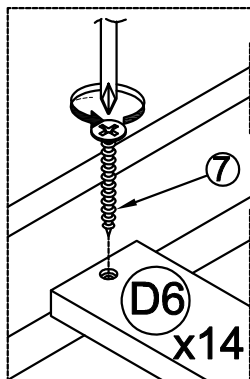
-Screw 14 slats D6 with Side Rail D2,D4 by using hardward #7.

-Look at detail view for more detail

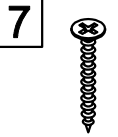
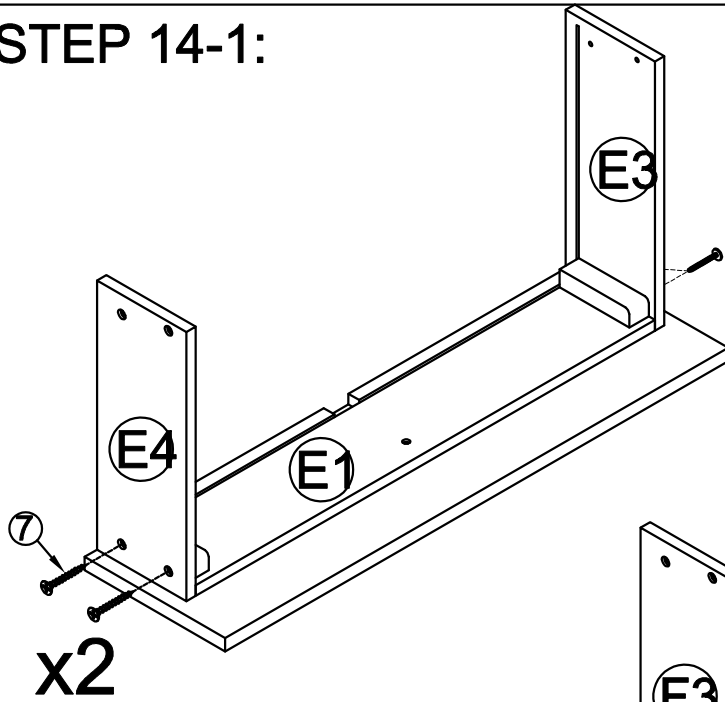
7



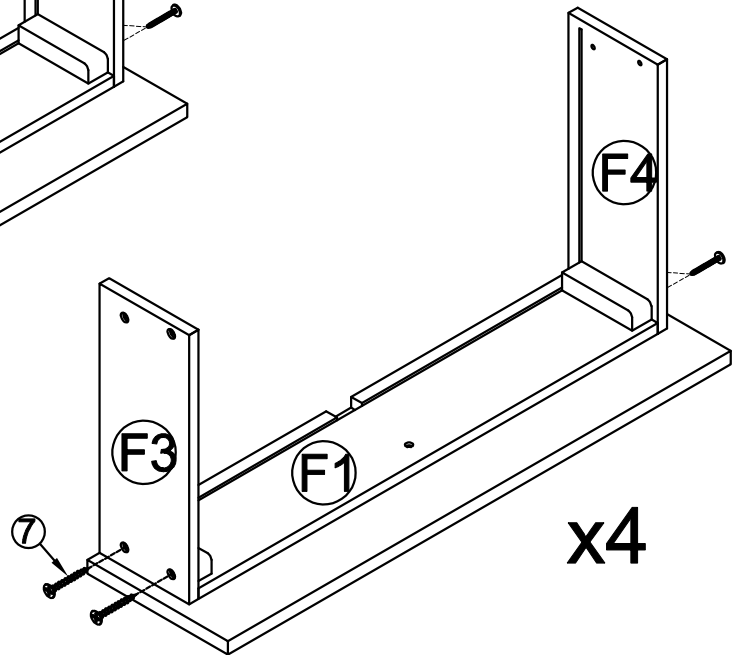
28pcs



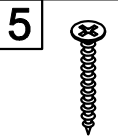
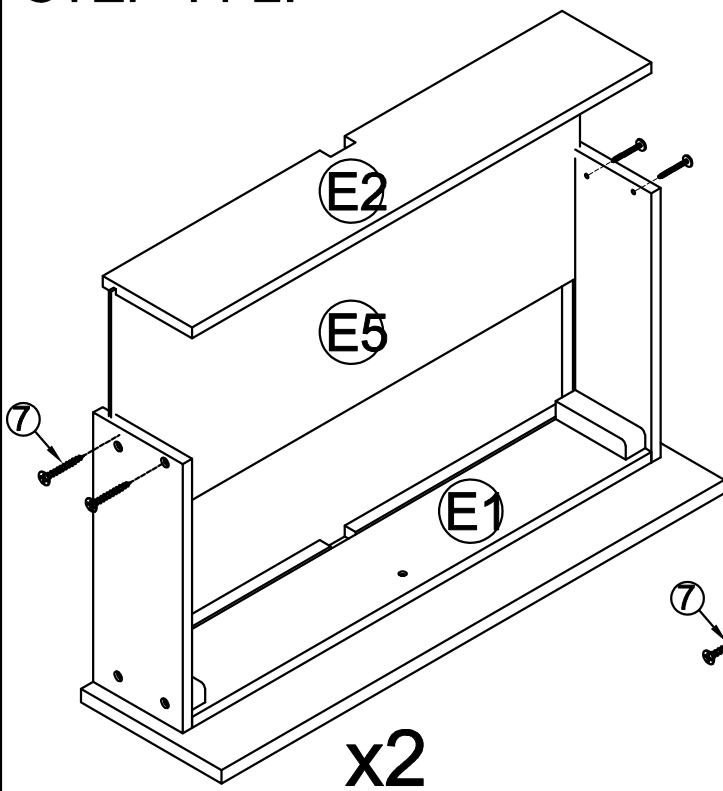
STEP 14-1:



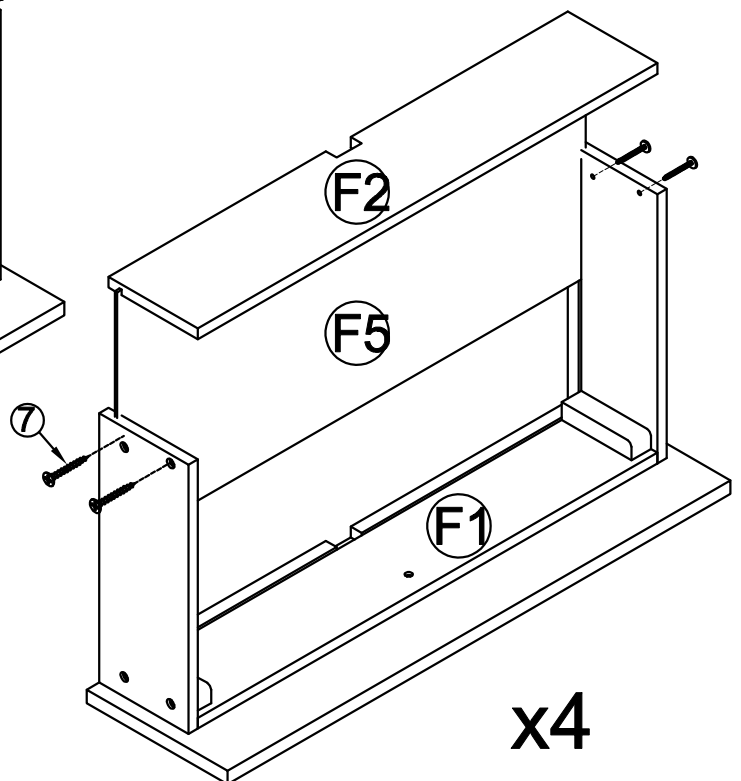
24pcs



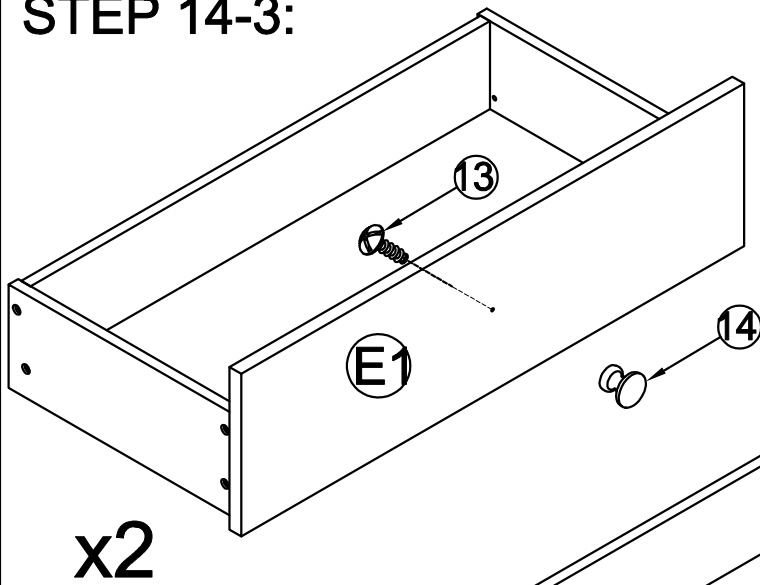
STEP 14-2:



24pcs

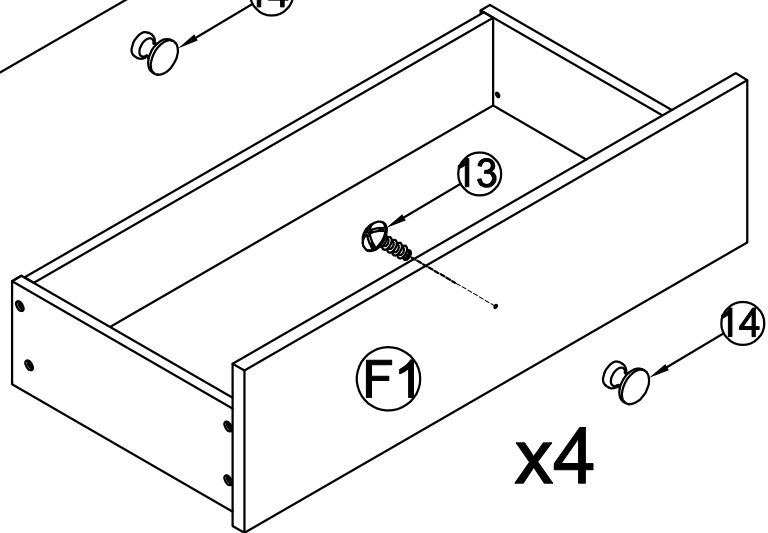


STEP 14-3:



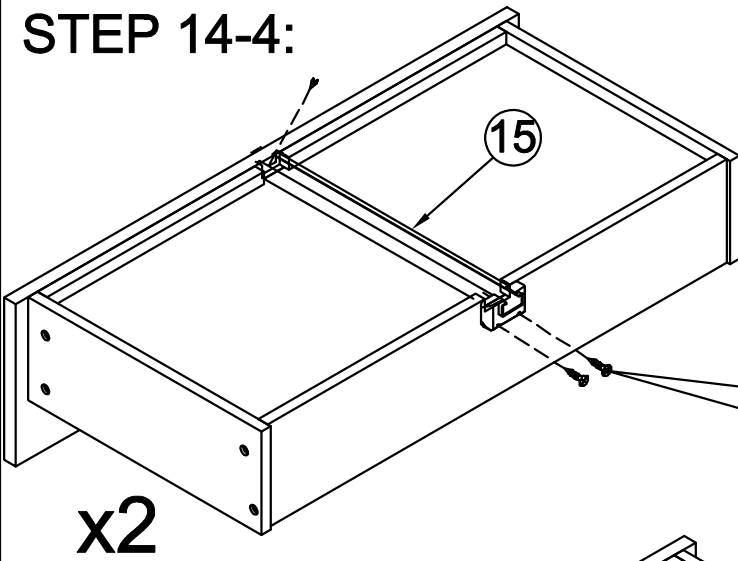
14	13
6pcs	6pcs

x2



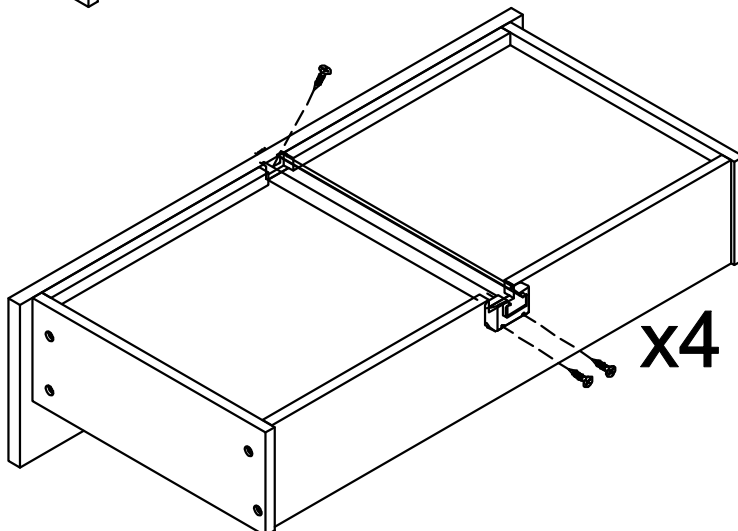
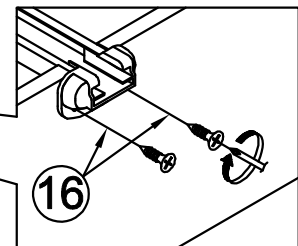
x4

STEP 14-4:



x2

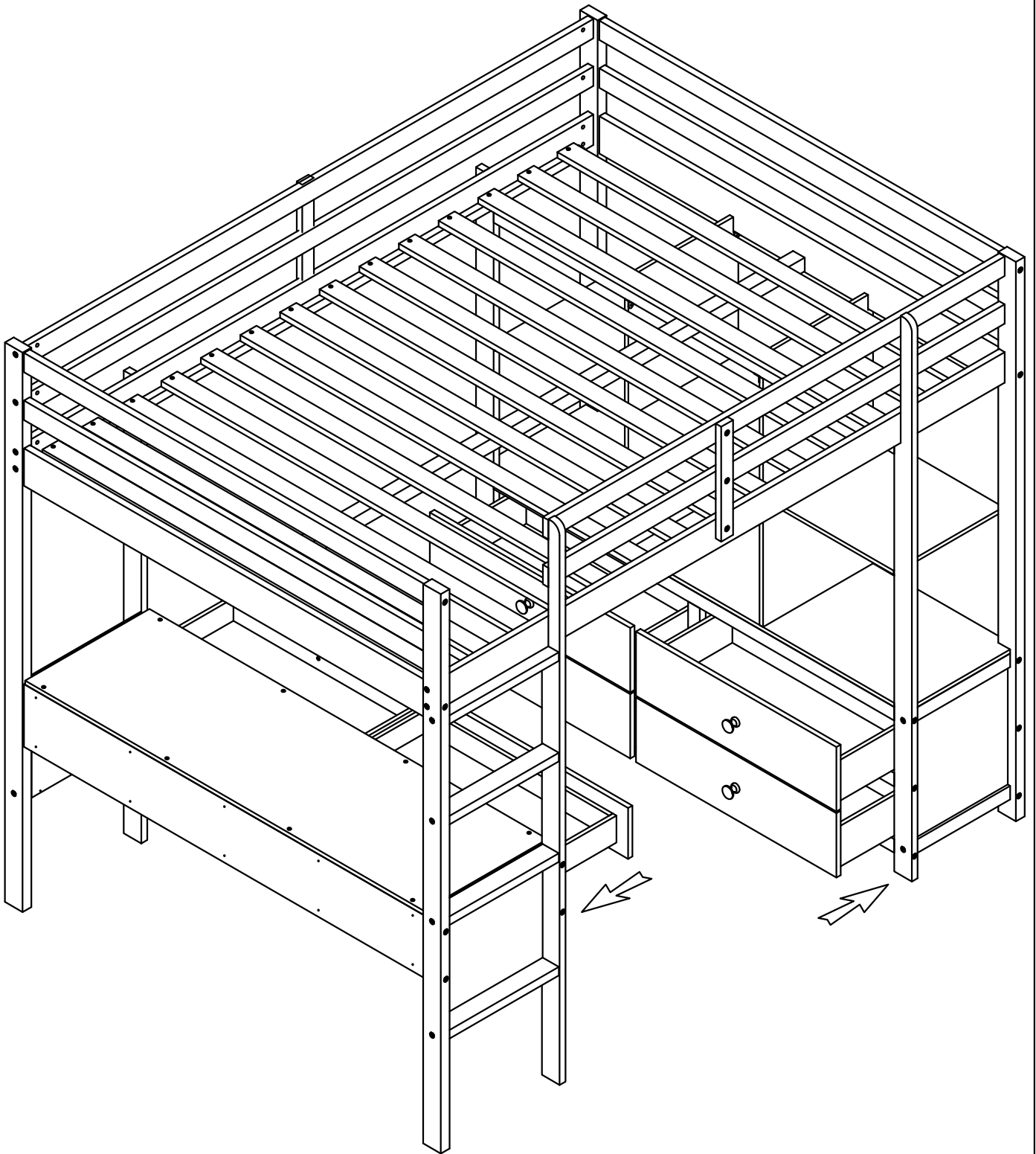
15	11
6PCS	18PCS



x4

STEP 15(OPTION 1): CONGRARULATION. YOU HAVE COMPLETED THE BED.

Push 6 drawer into it position



STEP 15(OPTION 2): CONGRARULATION. YOU HAVE COMPLETED THE BED.

Push 5 drawer into it position

