

**PRODUCT SPECIFICATIONS**

Elkay Crosstown® 18 Gauge Stainless Steel 33" x 22" x 6", Equal Double Bowl Dual Mount ADA Sink Kit. Sink is manufactured from 18 gauge 304 Stainless Steel with a Polished Satin finish, Rear Center drain placement, and Full spray sides and bottom with Sides and Bottom pads.

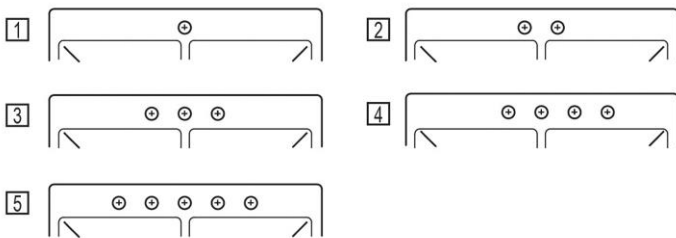
|                              |   |
|------------------------------|---|
| <b>Installation Type:</b>    | Drop-in, Sink Kits, Undermount  |
| <b>Material:</b>             | 304 Stainless Steel   |
| <b>Special Features:</b>     | Slim Rim  |
| <b>Finish:</b>               | Polished Satin  |
| <b>Gauge:</b>                | 18  |
| <b>Sound Deadening:</b>      | Full spray sides and bottom with Sides and Bottom pads  |
| <b>Number of Bowls:</b>      | 2   |
| <b>Sink Dimensions:</b>      | 33" x 22" x 6"  |
| <b>Bowl 1 Dimensions:</b>    | 14-3/4" x 16-3/4" x 6"  |
| <b>Bowl 2 Dimensions:</b>    | 14-3/4" x 16-3/4" x 6"  |
| <b>Drain Size:</b>           | 3-1/2" (89mm)   |
| <b>Drain Location:</b>       | Rear Center   |
| <b>Minimum Cabinet Size:</b> | 36"   |
| <b>Mounting Hardware:</b>    | Part # 64090022 included for drop-in installation for countertops thicker than 3/4" (19mm) up to 1-1/2" (38.1mm) thick. |
| <b>Template Included:</b>    | Yes   |
| <b>Cutout Template #:</b>    | <a href="#">1000001180</a>  |

Template is available for download at [elkay.com](#). CAD software will be required to open the template.

**Cutout Dimensions for Drop-in Installation:**  
32-3/8" x 21-3/8" (822mm x 543mm) with 1/2" (12mm) corner radius

**Hole Drilling Configurations:**

1-1/2" (38mm) Diameter Faucet Holes on 4" (102mm) Centers



**Included with Product:** two CTXBG1315 Bottom Grids

AMERICAN PRIDE. A LIFETIME TRADITION.

Like your family, the Elkay family has values and traditions that endure. For almost a century, Elkay has been a family-owned and operated company, providing thousands of jobs that support our families and communities.

**Product Compliance:** ASME A112.19.3/CSA B45.4



Sinks are listed by IAPMO® as meeting the applicable requirements of the Uniform Plumbing Code®, International Plumbing Code®, and National Plumbing Code of Canada.

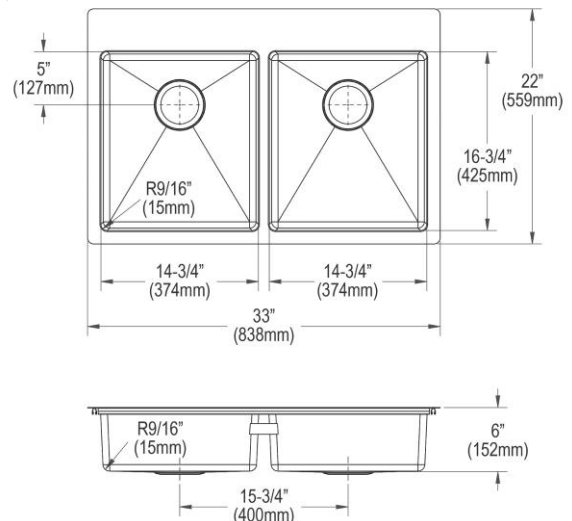


Complies with ADA & ICC A117.1 accessibility requirements when installed according to the requirements outlined in these standards.

[Clean and Care Manual \(PDF\)](#)

[Installation Instructions \(PDF\) - 1000005237](#)

[Warranty \(PDF\)](#)



PART: \_\_\_\_\_ QTY: \_\_\_\_\_

PROJECT: \_\_\_\_\_

CONTACT: \_\_\_\_\_

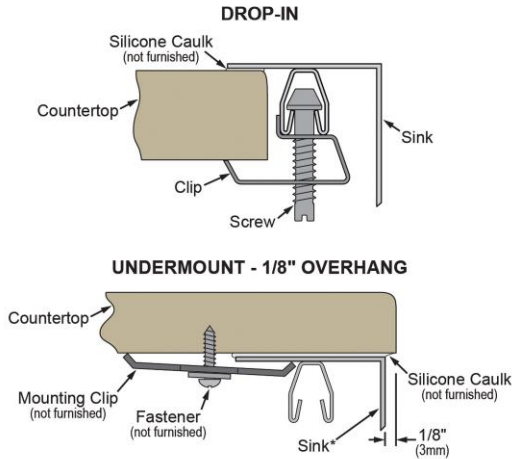
DATE: \_\_\_\_\_

NOTES: \_\_\_\_\_

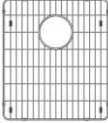



APPROVAL: \_\_\_\_\_

In keeping with our policy of continuing product improvement, Elkay reserves the right to change product specifications without notice. Please visit [elkay.com](#) for the most current version of Elkay product specification sheets. This specification describes an Elkay product with design, quality, and functional benefits to the user. When making a comparison of other producers' offerings, be certain these features are not overlooked.

**Installation Profile:**



\*Designed to affix to the underside of any solid surface countertop.

| Included Accessories      |  |   |
|---------------------------|--|---|
| <a href="#">CTXBG1315</a> | Elkay Crosstown Stainless Steel 13-1/2" x 15-1/2" x 1-1/4" Bottom Grid<br><a href="#">Spec Sheet (PDF)</a>                 |    |
| Optional Accessories      |  |   |
| <a href="#">CTXBG1315</a> | Elkay Crosstown Stainless Steel 13-1/2" x 15-1/2" x 1-1/4" Bottom Grid<br><a href="#">Spec Sheet (PDF)</a>                 |  |
| <a href="#">LK35</a>      | Elkay 3-1/2" Drain Fitting Type 304 Stainless Steel Body Strainer Basket and Tailpiece<br><a href="#">Spec Sheet (PDF)</a> |  |
| <a href="#">LKDD</a>      | Elkay 3-1/2" Drain Fitting Deep Strainer Basket<br><a href="#">Spec Sheet (PDF)</a>  |  |

*In keeping with our policy of continuing product improvement, Elkay reserves the right to change product specifications without notice. Please visit [elkay.com](http://elkay.com) for the most current version of Elkay product specification sheets. This specification describes an Elkay product with design, quality, and functional benefits to the user. When making a comparison of other producers' offerings, be certain these features are not overlooked.*