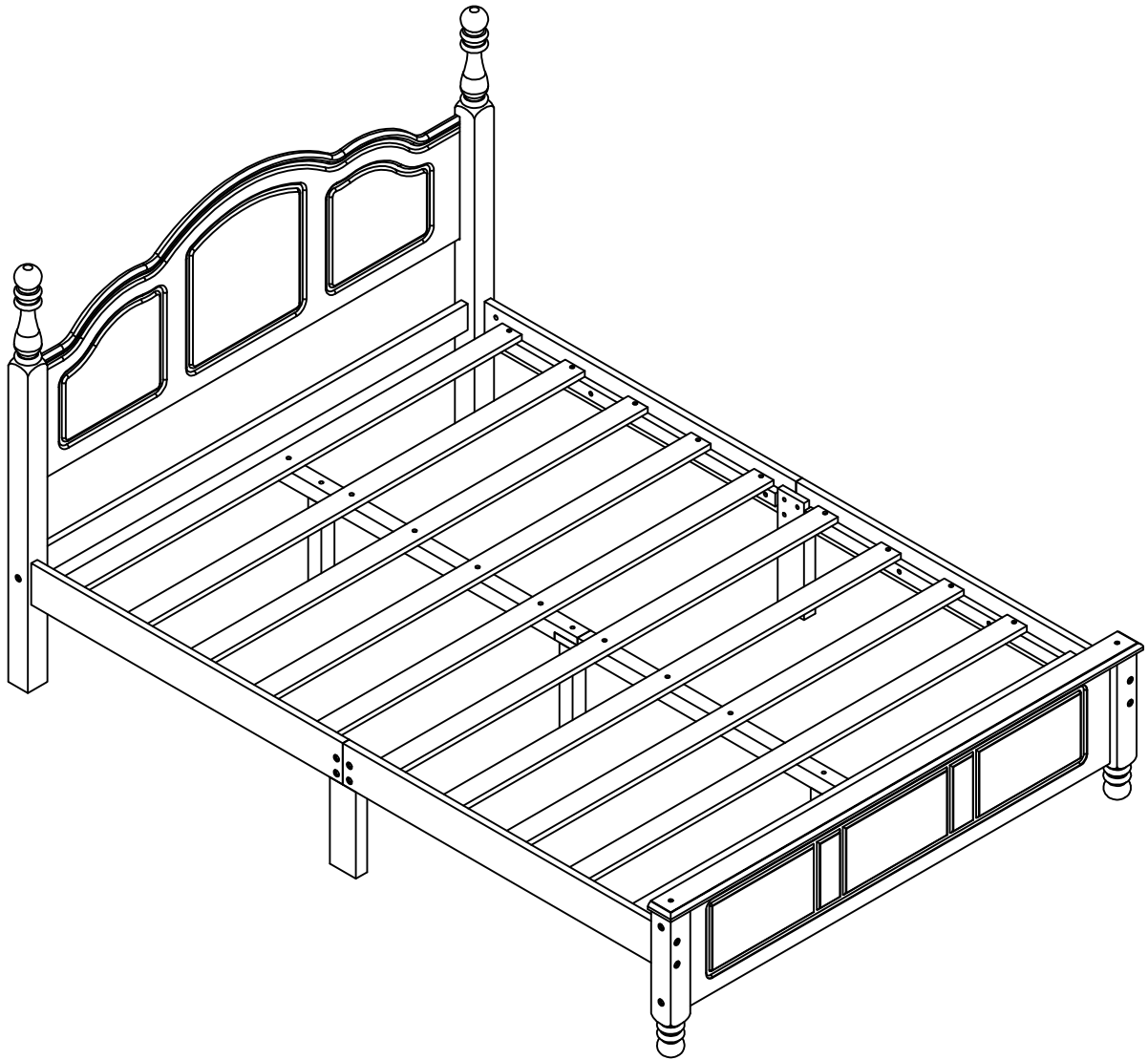
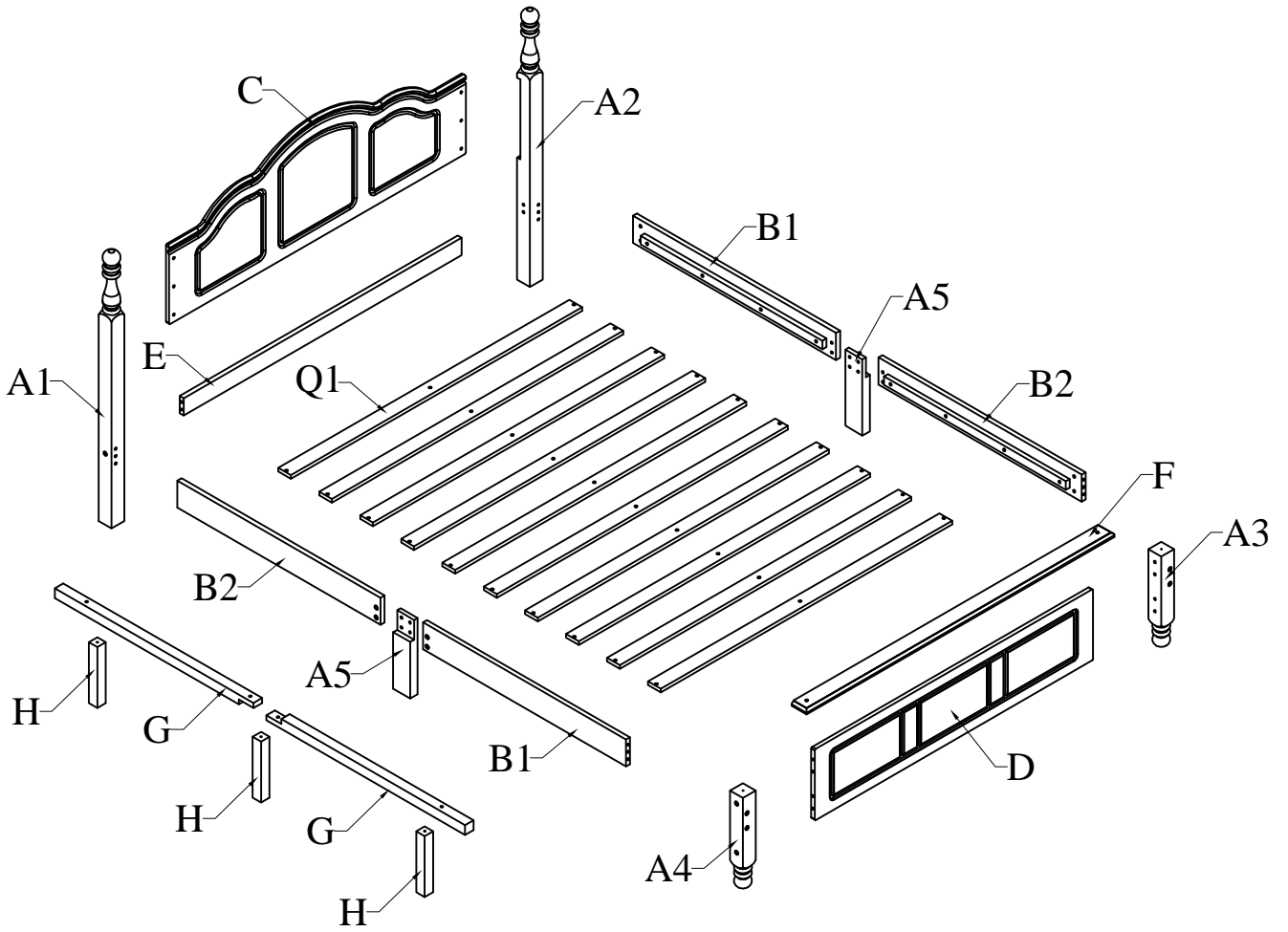


# ASSEMBLY INSTRUCTIONS



# DETAIL VIEW



# BOX 1

A1



Front - left (1pc)

A2



Back leg - left (1pc)

A3



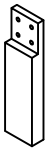
Back leg - right (1pc)

A4



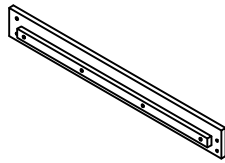
Front leg - right (1pc)

A5



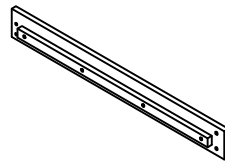
Middle leg (2pcs)

B1



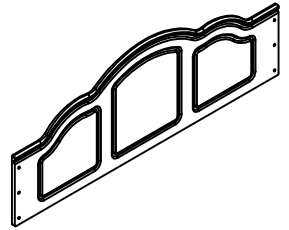
Side rail - left (2pcs)

B2



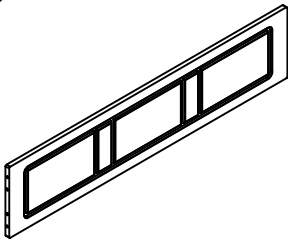
Side rail - right (2pcs)

C



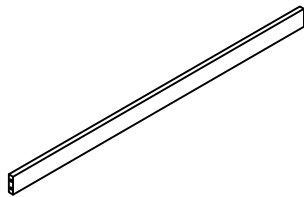
Headboard panel (1pc)

D



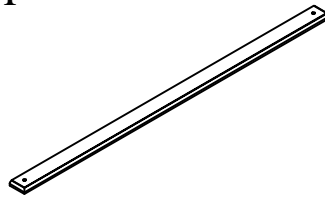
Footboard panel (1pc)

E



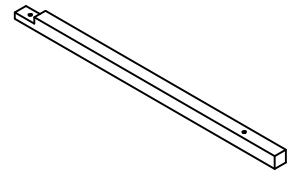
Horizontal rail (1pc)

F



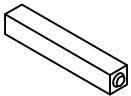
Top back rail (1pc)

G



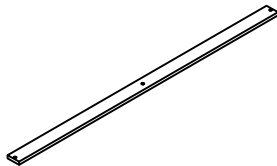
Support slats (2pcs)

H



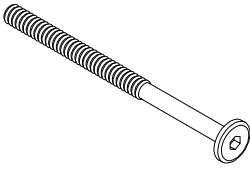


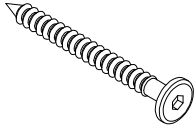
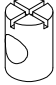


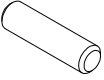
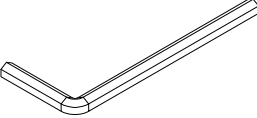
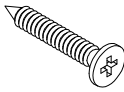
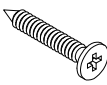

Extra leg (3pcs)

Q1

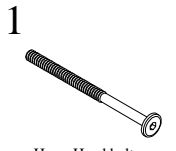
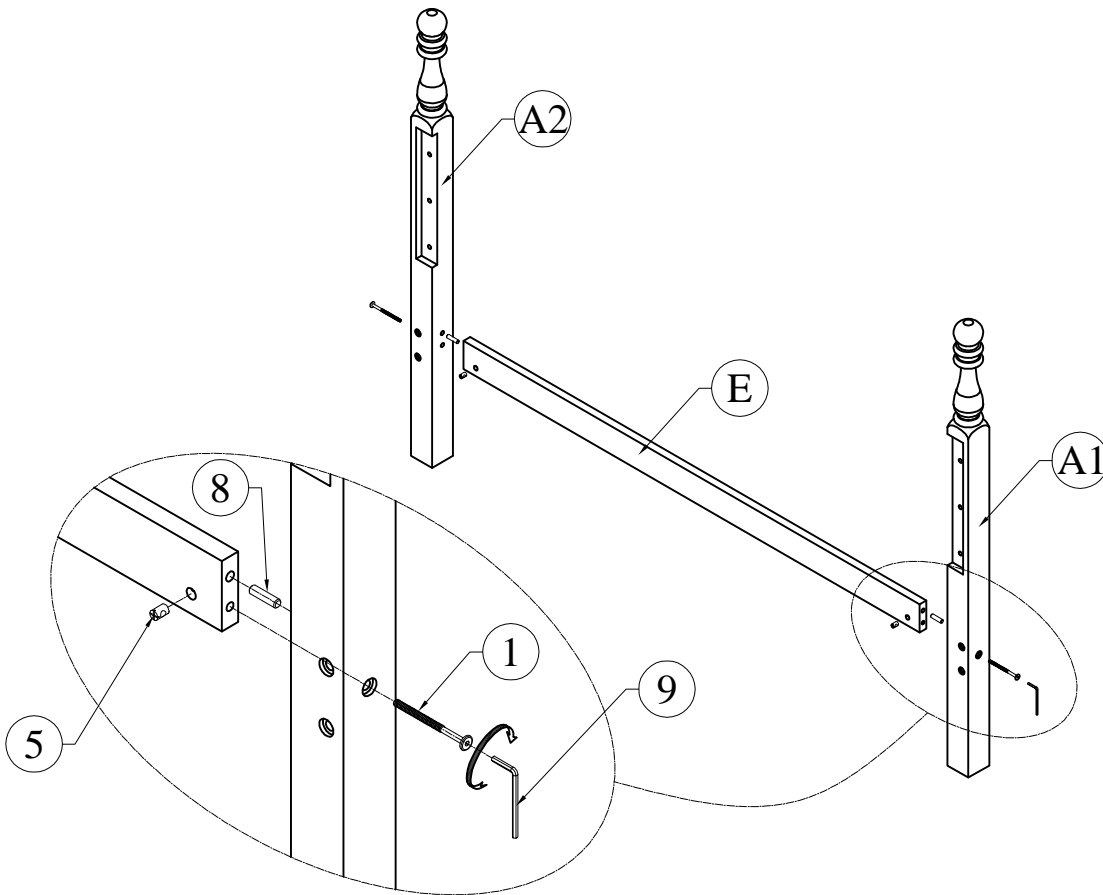


Slats (10pcs)

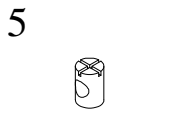
# HARDWARE LIST

<p>1</p>  <p>Hex - Head bolts Ø1/4" * 110- 14pcs</p>	<p>2</p>  <p>Hex - Head bolts Ø1/4" * 35- 6pcs</p>	<p>3</p>  <p>Hex - Head bolts Ø1/4" * 25- 8pcs</p>	<p>4</p>  <p>Hexagonal bolts catch wood Ø6 * 70 - 3pcs</p>
<p>5</p>  <p>Horizontal - Hold bolts Ø1/4" - 14pcs</p>	<p>6</p>  <p>Canopy head though Ø1/4" - 8pcs</p>	<p>7</p>  <p>L - Bracket - 1pc</p>	<p>8</p>  <p>Wood dowel Ø8 * 30 - 8pcs</p>
<p>9</p>  <p>Allen key K4 - 2pcs</p>	<p>10</p>  <p>Wood crews M4 * 40 - 2pcs</p>	<p>11</p>  <p>Wood crews M4 * 30 - 30pcs</p>	<p>12</p>  <p>Wood crews M3.5 * 15 - 2pcs</p>

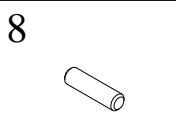
# STEP 1



Hex - Head bolts  
Ø1/4" \* 110- 2pcs

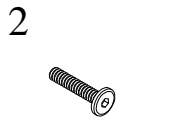
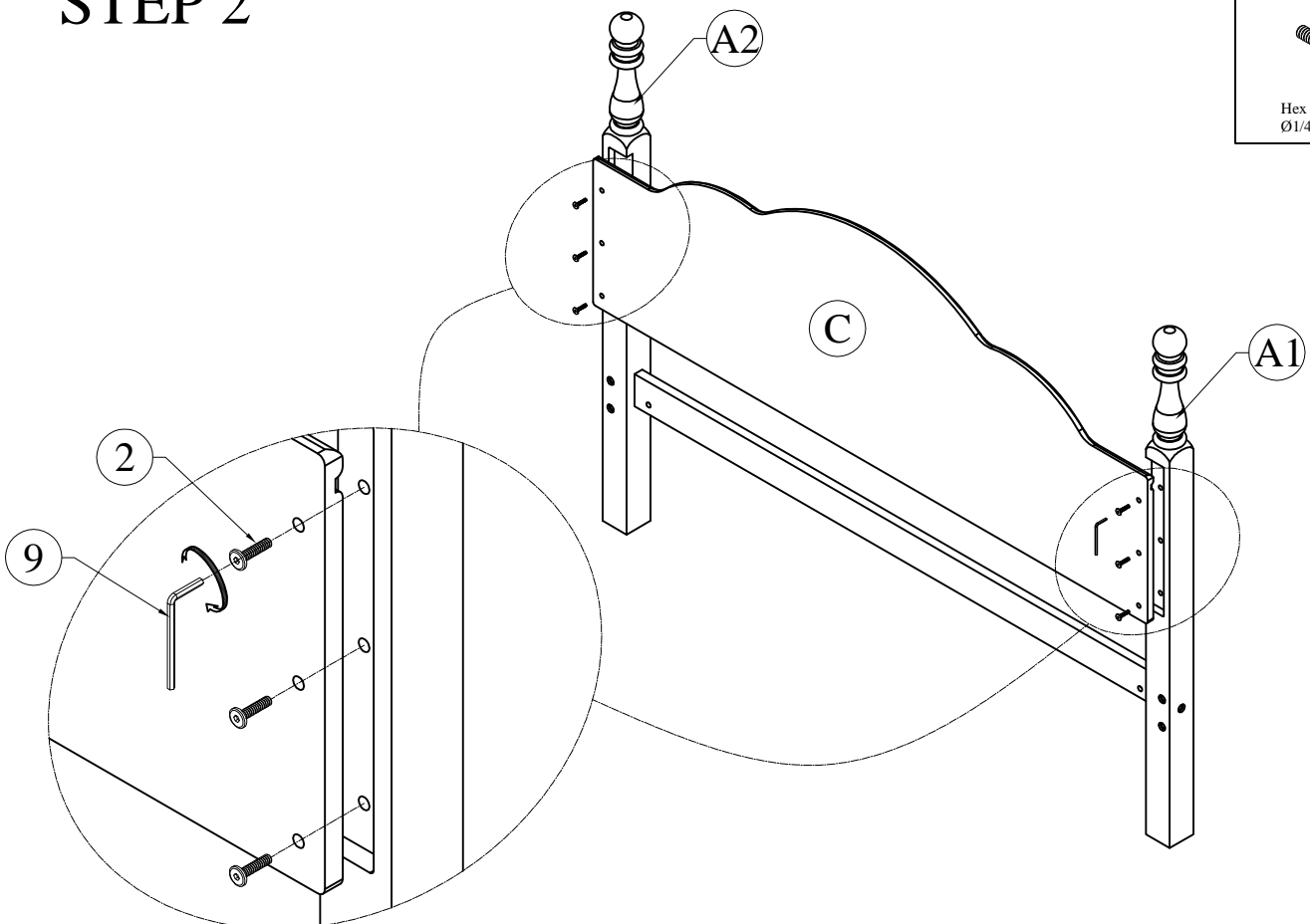


Horizontal - Hold bolts  
Ø1/4" - 2pcs



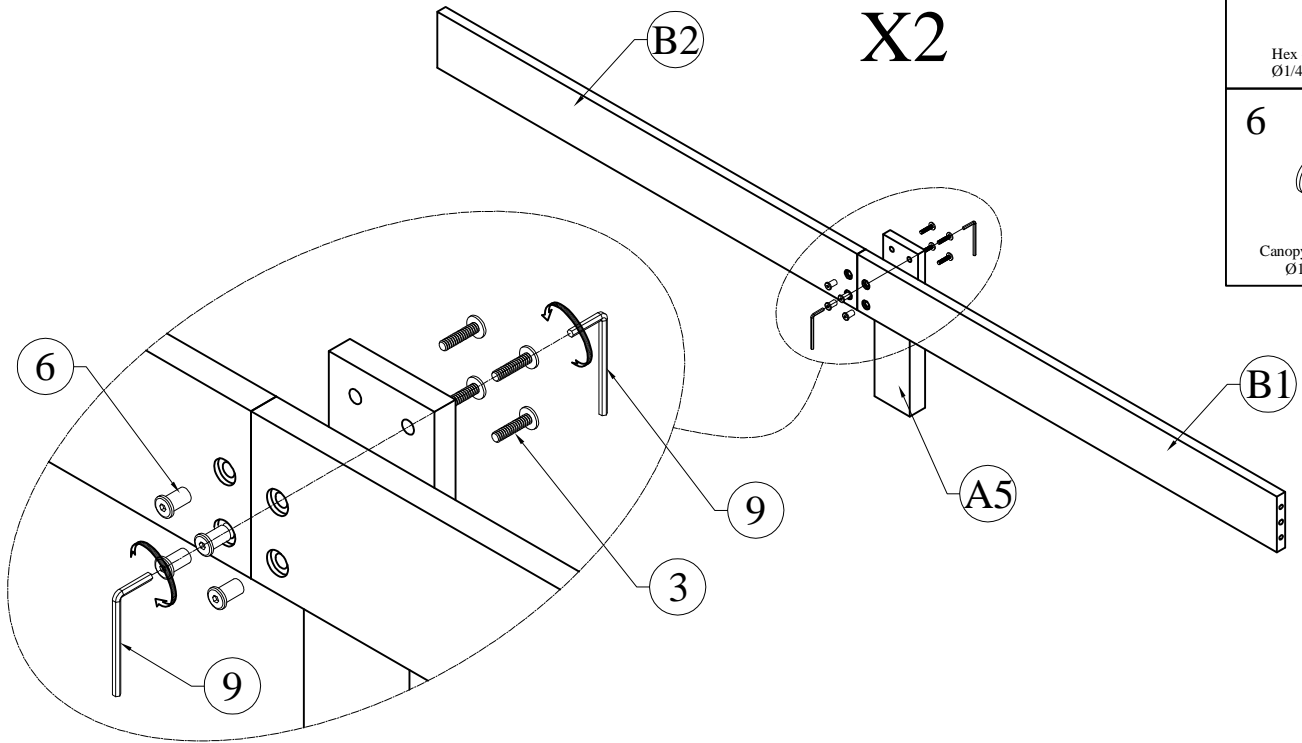
Wood dowel  
Ø8 \* 30 - 2pcs

# STEP 2



Hex - Head bolts  
Ø1/4" \* 35- 6pcs

# STEP 3



3



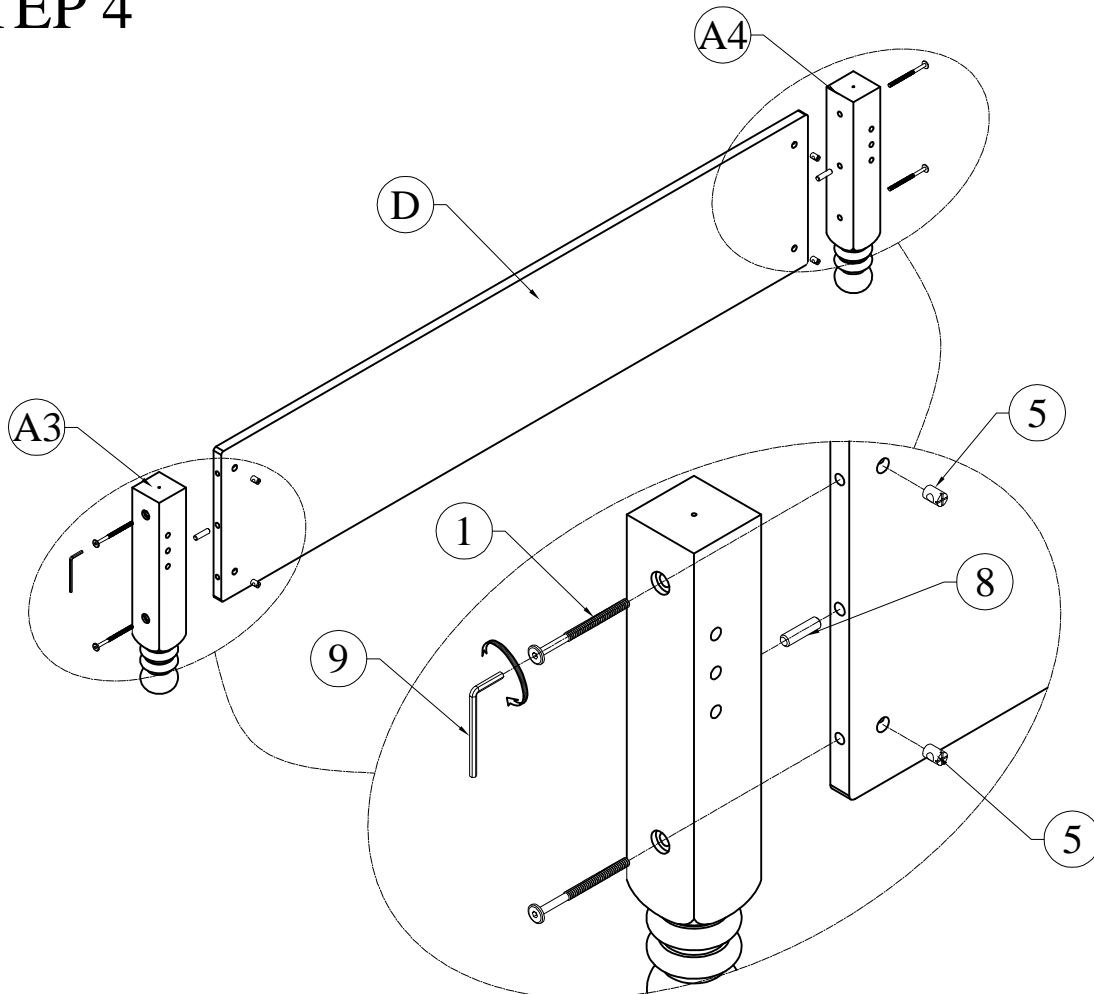
Hex - Head bolts  
Ø1/4" \* 25- 8pcs

6

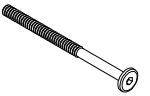


Canopy head though  
Ø1/4" - 8pcs

# STEP 4



1



Hex - Head bolts  
Ø1/4" \* 110- 4pcs

5



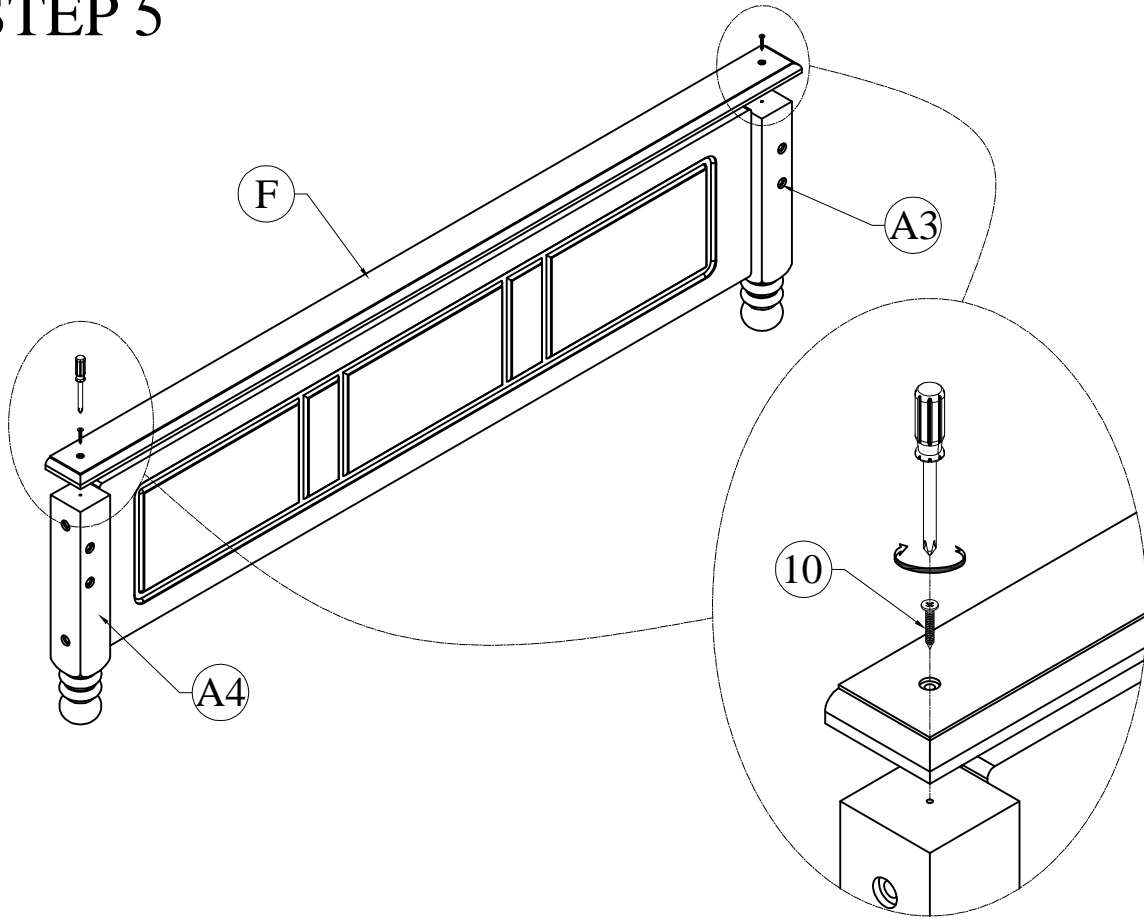
Horizontal - Hold bolts  
Ø1/4" - 2pcs

8



Wood dowel  
Ø8 \* 30 - 2pcs

# STEP 5

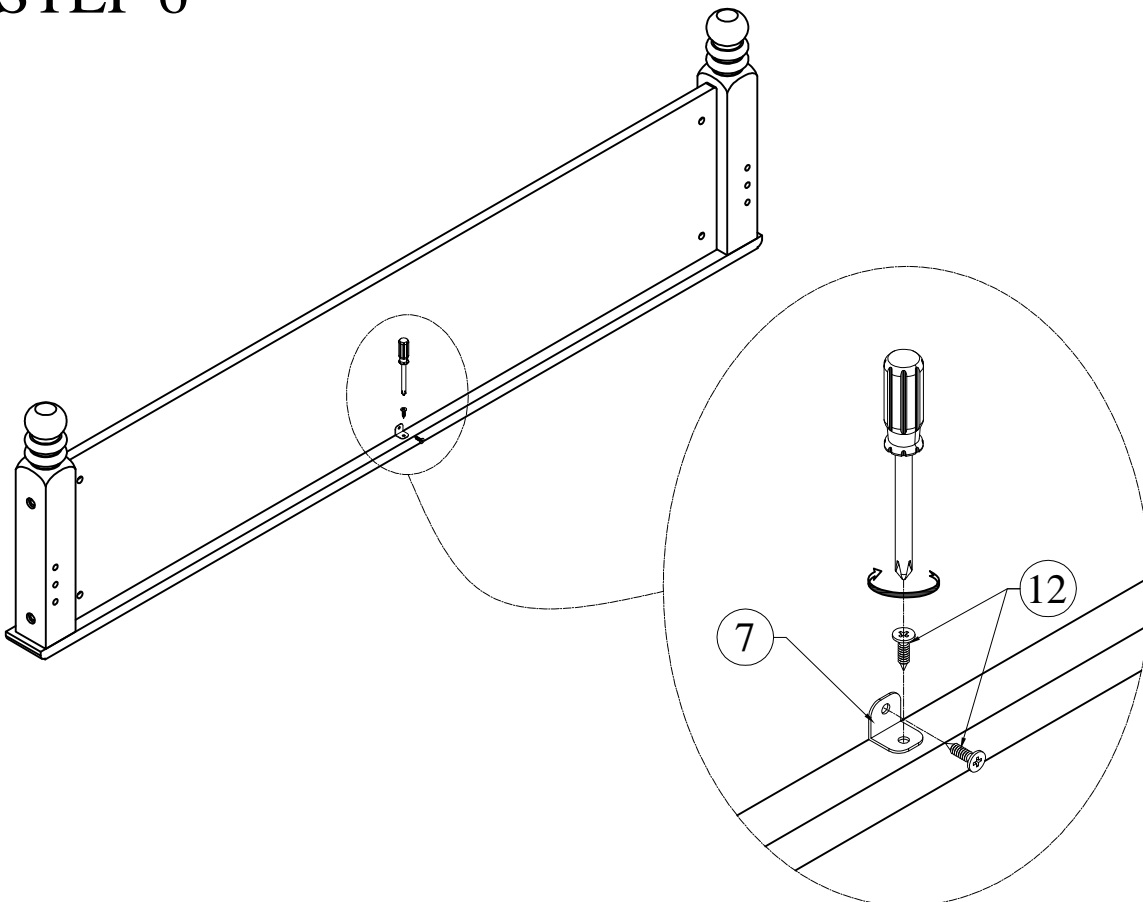


10



Wood screws  
M4 \* 40 - 2pcs

# STEP 6



7



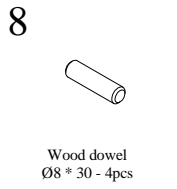
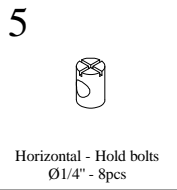
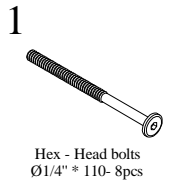
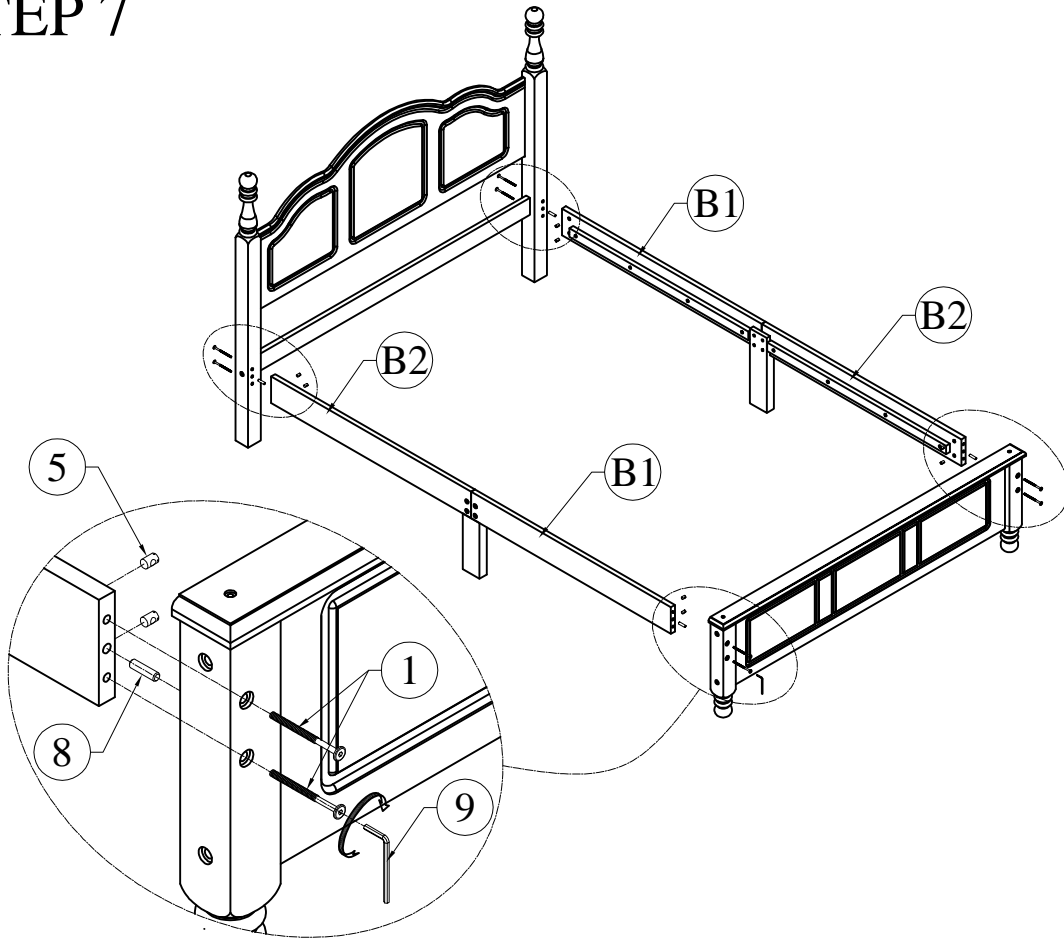
L - Bracket - 1pc

12

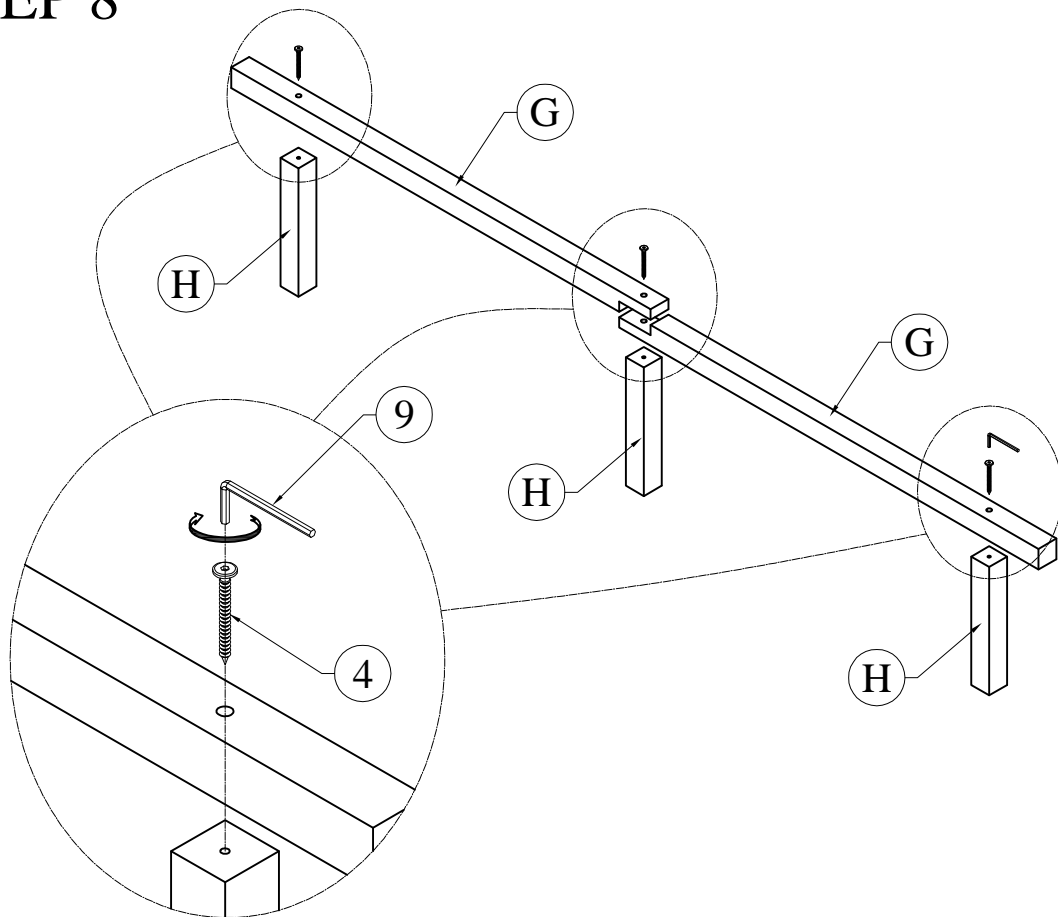


Wood screws  
M3.5 \* 15 - 2pcs

# STEP 7



# STEP 8

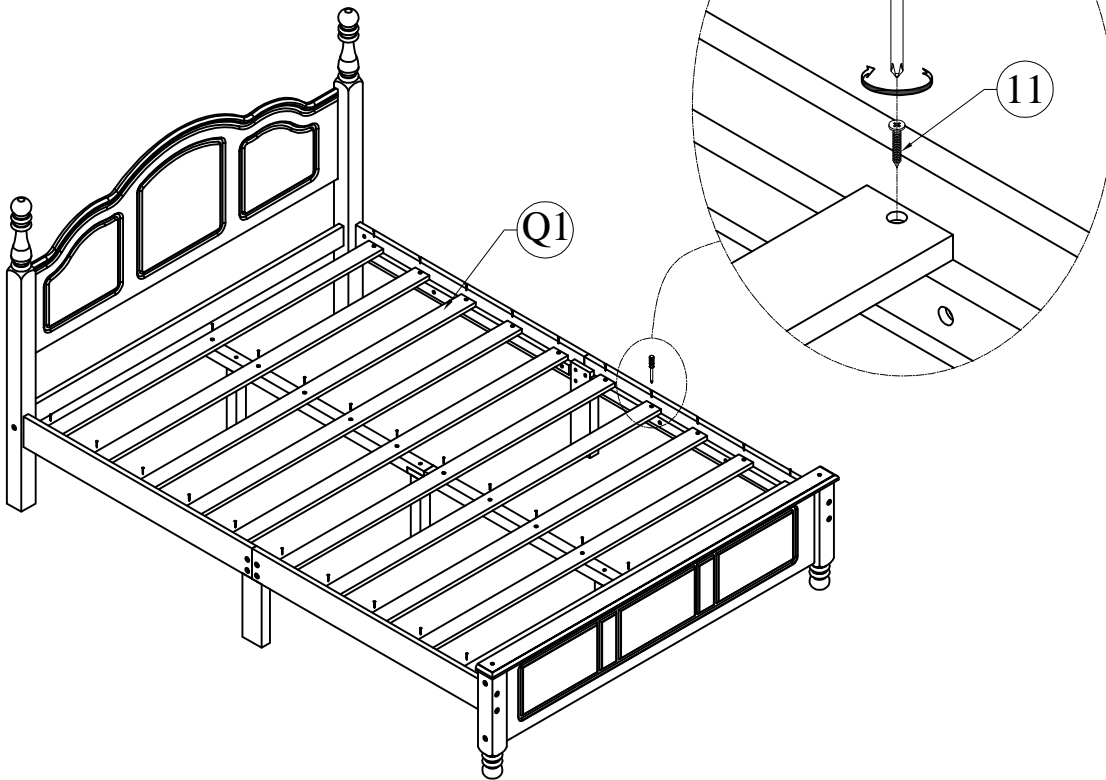


# STEP 9

11



Wood crews  
M4 x 11 - 30pcs



# COMPLETED

