

ASSEMBLY INSTRUCTION

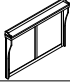



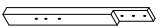

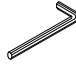
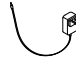
Description : QUEEN BED HEADBOARD
LAMP & SPEAKER

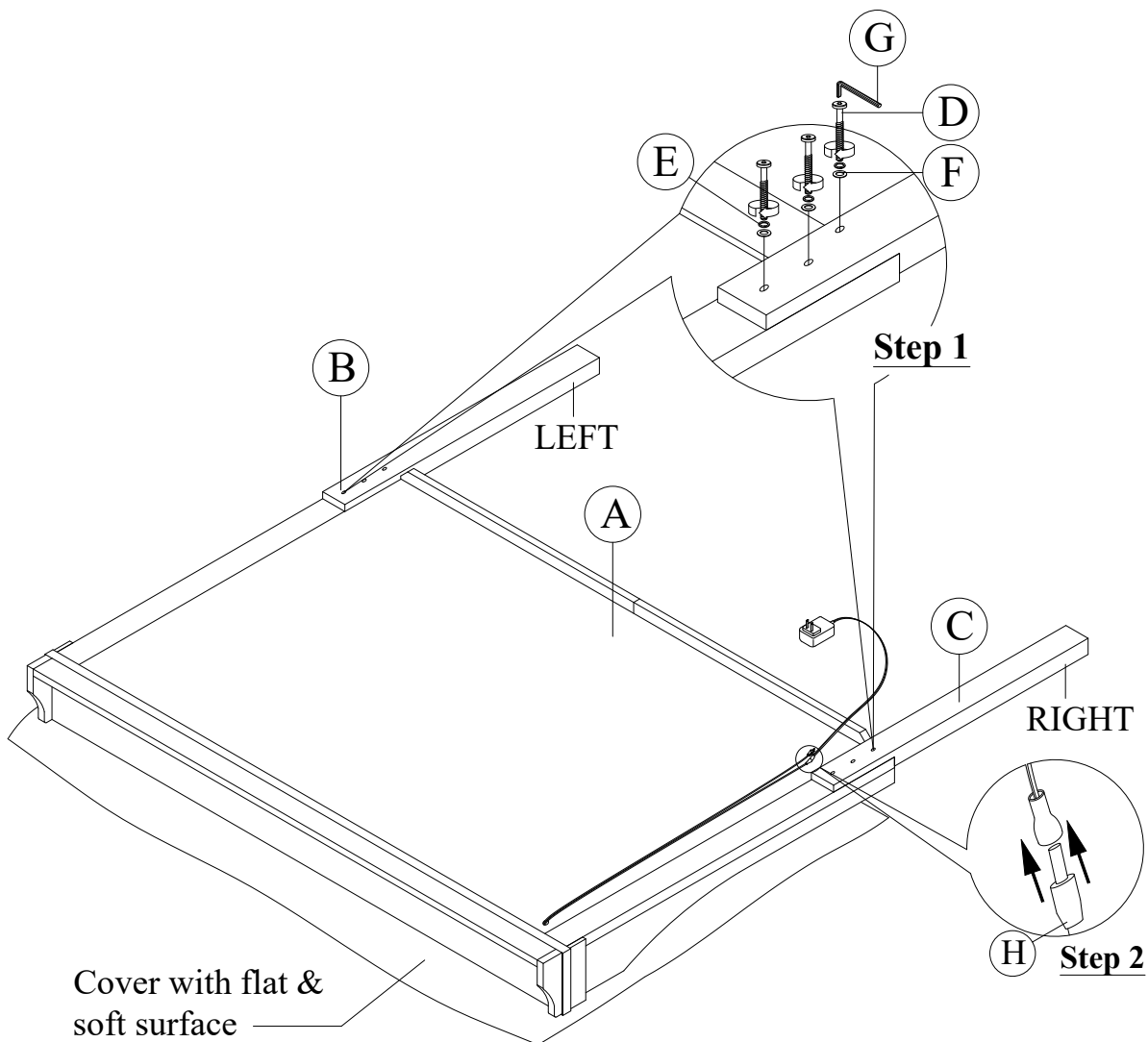
Model : ASHLEY-BROWN-QB-HB LAMP & SPEAKER

Thank you for purchasing this quality product. Be sure to check all packing material carefully for small parts that may have come loose inside the carton during shipment.

PART LIST :

HARDWARE LIST :

No.	Description	Diagram	Quantity	No.	Description	Diagram	Size	Quantity
A	HEADBOARD		1	D	JCBB SCREW		M8 x 40mm	6
B	LEFT HEADBOARD LEG		1	E	SPRING WASHER		M8 x 15mm	6
C	RIGHT HEADBOARD LEG		1	F	FLAT WASHER		M8 x 22mm	6
				G	ALLEN KEY		M5	1
				H	ADAPTOR			1



ASSEMBLY INSTRUCTION

Description : QUEEN BED-HEADBOARD LAMP & SPEAKER
 -FOOTBOARD & SLATS
 -SIDERAILS

Model : ASHLEY-BROWN-QB-HB LAMP SPEAKER-FB-QB/KB-SR

Thank you for purchasing this quality product. Be sure to check all packing material carefully for small parts that may have come loose inside the carton during shipment.

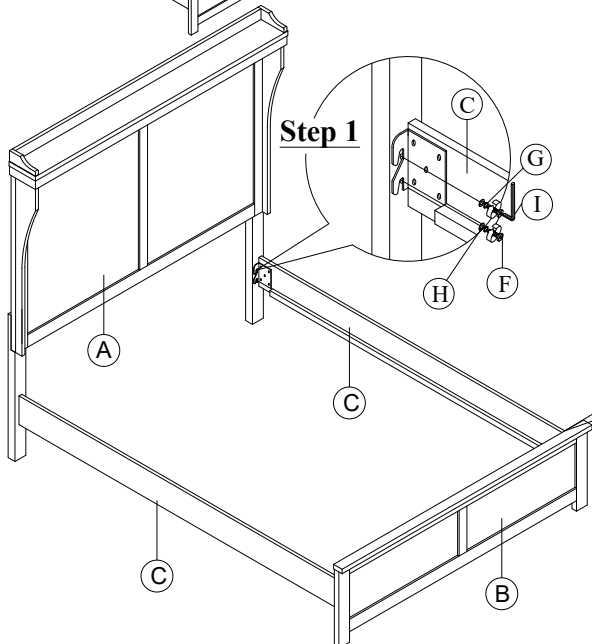
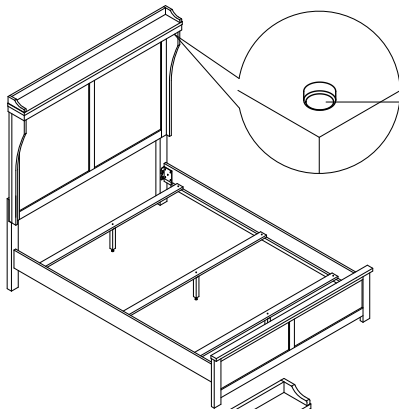
PART LIST :

HARDWARE LIST :

No.	Description	Diagram	Quantity	No.	Description	Diagram	Size	Quantity
A	HEADBOARD LAMP & SPEAKER		1	F	JCBB SCREW		M8 x 25mm	8
B	FOOTBOARD		1	G	SPRING WASHER		M8 x 15mm	8
C	SIDE RAIL		2	H	FLAT WASHER		M8 x 22mm	8
D	WOODEN SLAT		3	I	ALLEN KEY		M5	1
E	WOODEN SUPPORT		3	J	CB SCREW		M4 x 32mm	6
				K	SCREW DRIVER (*)			1

Lamp Touch Sensor :
 i) Switch on
 ii) Lighter
 iii) More lighter
 iv) Switch off

(*) The manufacturer does not provide item K.

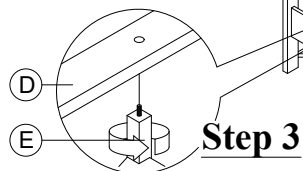


Step 1

Step 2

Push the side rail (C) to meet with wooden slat (D) and fix the CB Screw (J) by using the Screw Driver (K).

Step 4



Step 3

Step 5

Step 6

WALL
Adaptor for speaker

WALL
Adaptor for lamp