










# Assembly Instructions

**Caution : You must read this before you proceed**

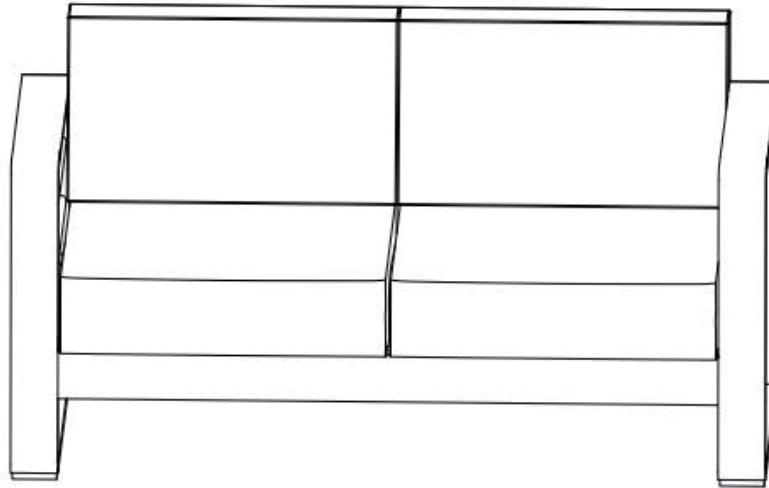
## Care & Maintenance

- ⊘  ● Not for commercial use. For residential use only.
- ⊘  ● Do not put hot items directly on furniture surface.
- ⊘  ● Do not clean furniture with harsh cleansers or polish.
- ✓  ● To obtain the longest lifespan of your outdoor products, minimizing exposure to direct sunlight is recommended.
- ⊘  ● Children should not climb or jump on the furniture.
- ⊘  ● Do not write on furniture without a padded barrier to protect the surface.
- ✓  ● To obtain the longest lifespan of your outdoor products, avoid extended and lengthy exposure to rain, snow, and direct sunshine. Whenever possible cover the product and /or place under patio or awnings.
- ⊘  ● Stains may be removed with mild soap solution and damp cloth.



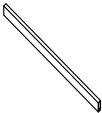

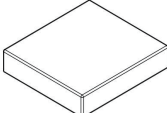
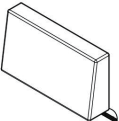
- ✓  ● Dust and pick-up spills using a clean, non-colored, lint-free cloth.

Please look in boxes for hardware packs and legs.  
Sets often ship in multiple boxes and may arrive a day or two apart.

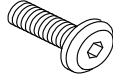
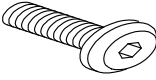

# Loveseat



## Parts List

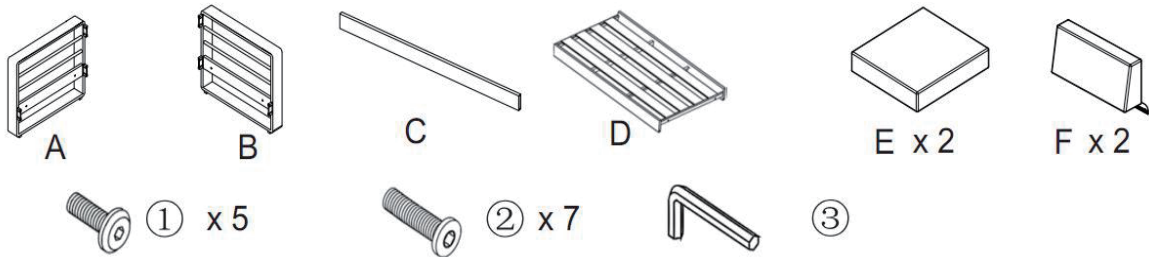
Label	Picture	Description	QTY
A		Left Side Panel	1
B		Right Side Panel	1
C		Back Support Bar	1
D		Seat (Labeled with face and bottom)	1
E		Seat Cushion	2
F		Back Cushion	2

# Hardware

Label	Picture	Description	QTY
①		Bolt (M6*20MM)	5
②		Bolt (M6*25MM)	7
③		Allen wrench	1

## Assembly Preparation

Before Beginning Assembly:



- Read instructions, cover to cover-



- Have 2 adults on hand for assembly-



- Do not assemble on flooring or carpet-



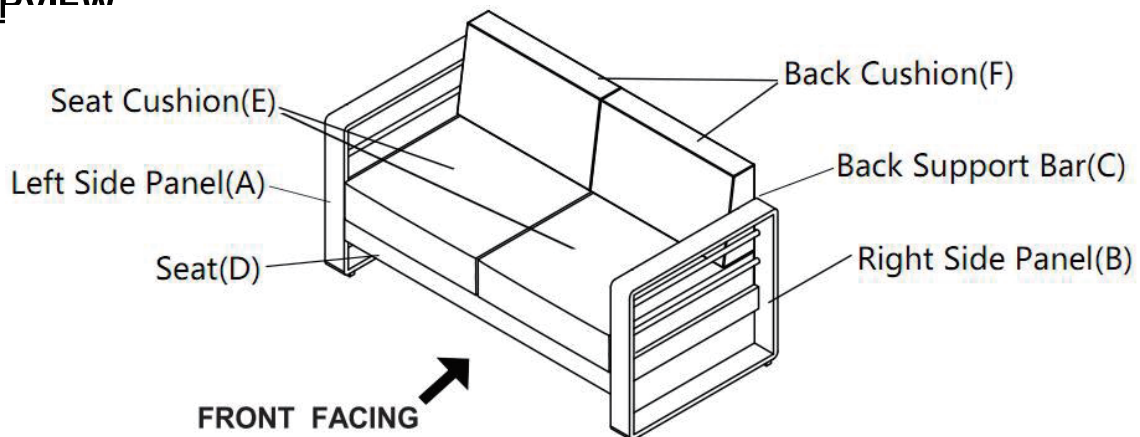
- Assemble on a clean non-marring surface (packing foam)-



- Save all packaging until finished-

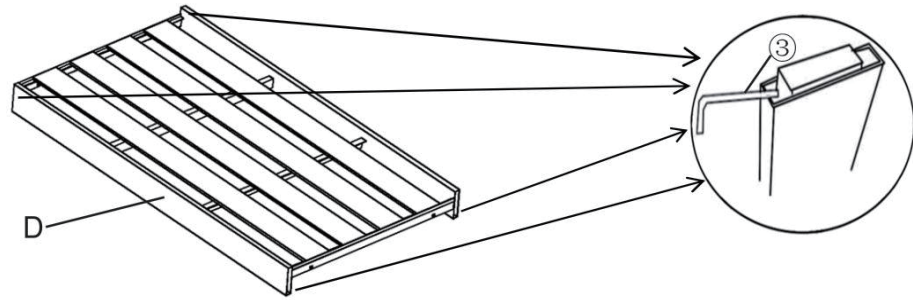
## Assembly Steps

### OVERVIEW



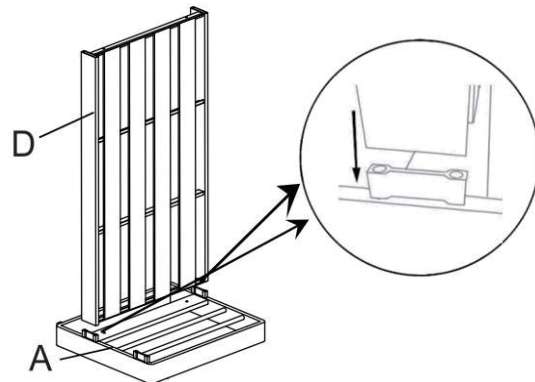
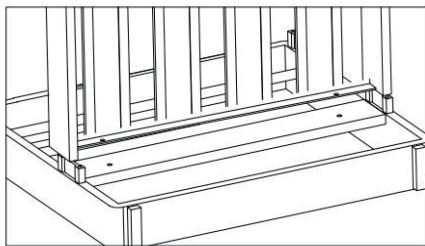
This Loveseat has multiple parts and may require up to some 30 minutes to assemble. To give you an overview of the Loveseat parts, the above picture is to help you put the various parts into perspective. Please read through the instructions below to familiarise yourself with the parts and steps before assembly.

## Step 1



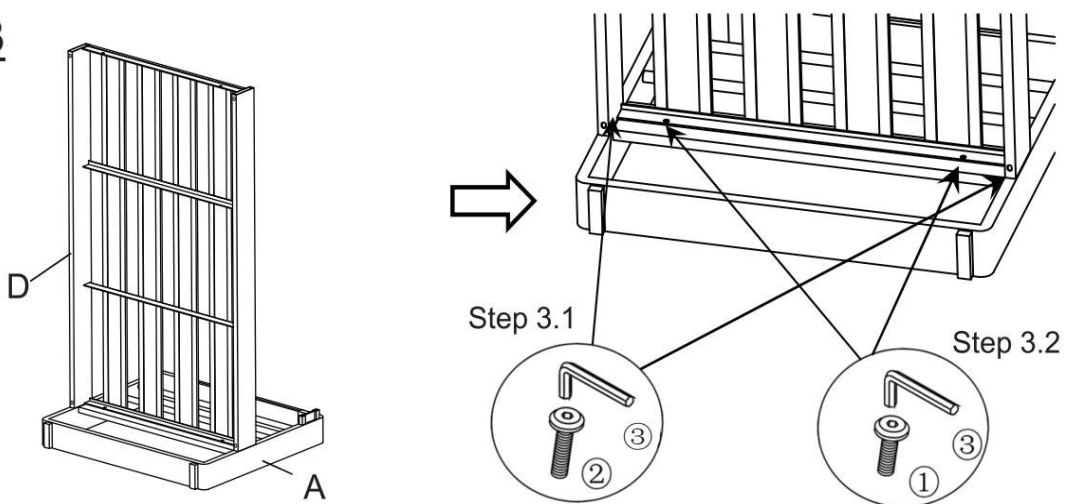
As shown above, use an inner hexagon Allen wrench (3) to remove the plastic plugs (inserted to prevent aluminum deformation) from the four ends of the seat (D).  
If necessary, please keep the plastic plugs for repacking.

## Step 2



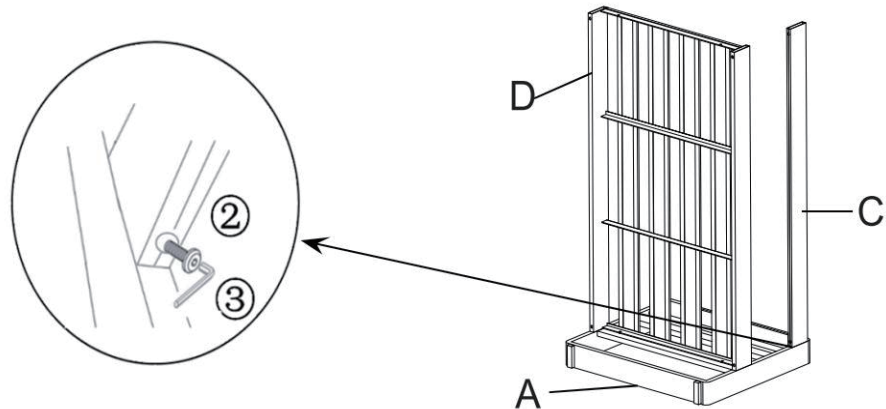
Open the carton and place all the parts on a clean, non-marring surface.  
Insert the Seat (D) onto the Left Side Panel (A), as shown in the picture.  
If you find the seat (D) doesn't align with the Left Side Panel (A), please reverse the seat (D) to match up with the mounting positions.

## Step 3



3.2) Attach Seat (D) and Left Side Panel (A) using Bolts (2) and the Allen wrench (3) as shown in the picture.  
3.2) Attach Seat (D) and Left Side Panel (A) using Bolt (1) with Allen wrench (3) as shown in the picture.  
Do not fully tighten the Bolts at this time.

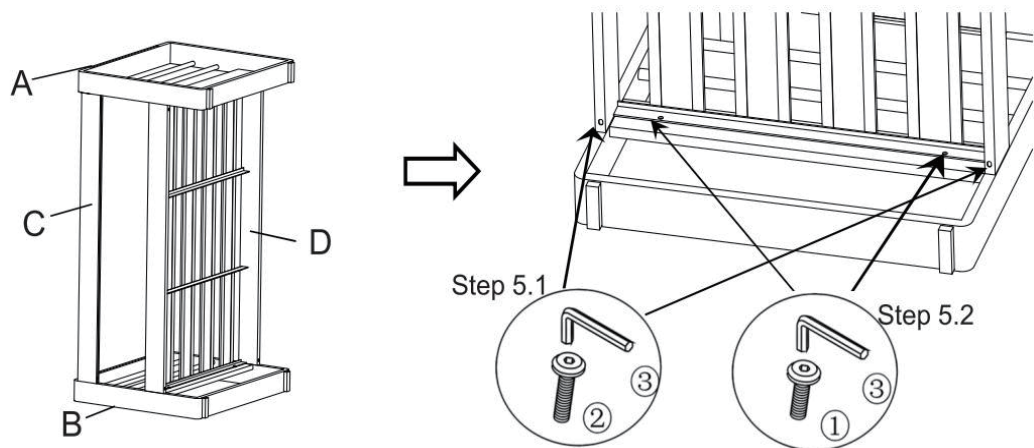
## Step 4



Connect the Back Support Bar (C) to the Left Side Panel (A) using an inner hexagon Allen wrench(③)and bolts (②) as shown.

Do not tighten the bolts completely at this time.

## Step 5



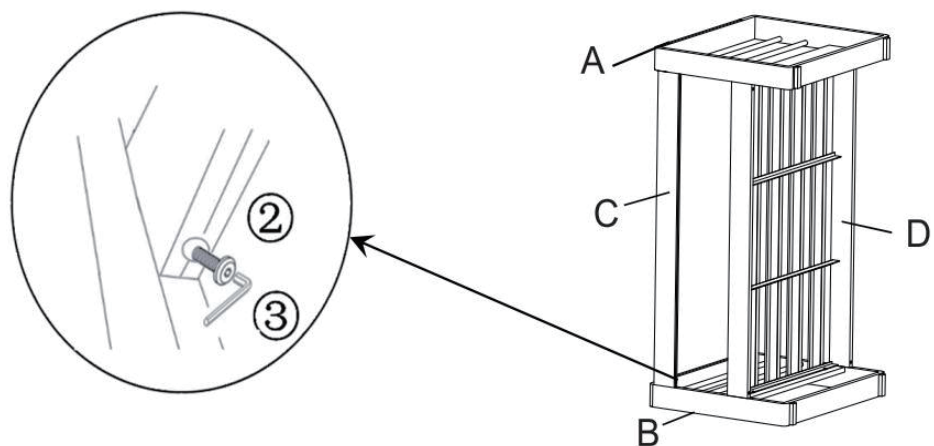
5.1)Attach Seat(D) and Right Side Panel(B) using Bolts(②) and the Allen wrench (③) as shown in the picture.

5.2)Attach Seat(D) and Right Side Panel(B) using Bolt(①) with Allen wrench (③) as shown in the picture.

Place the Loveseat upright and test for stability.

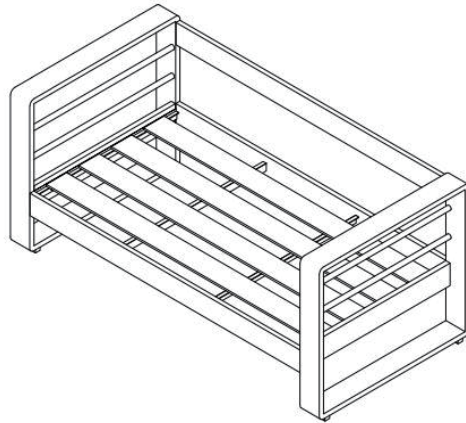
Then proceed to fully tighten all bolts at all joints in sequence

## Step 6



As shown, bolt(②)and connect the Back Support Bar (C)to the Right Side Panel (B)with an inner hexagon Allen wrench(③). Do not tighten the bolt completely at this time.

## Step 7



Set up the Loveseat.

Place the Loveseat on a level surface.

Check and ensure that all parts are fully connected.

Sit gently and carefully on the Loveseat.

This will help align all the parts at all the joints.

Then carefully get off the Loveseat and tighten all the bolts in sequence.

When tightening bolts, tighten them in sequence.

Do not tighten any bolts completely and proceed to the next bolt.

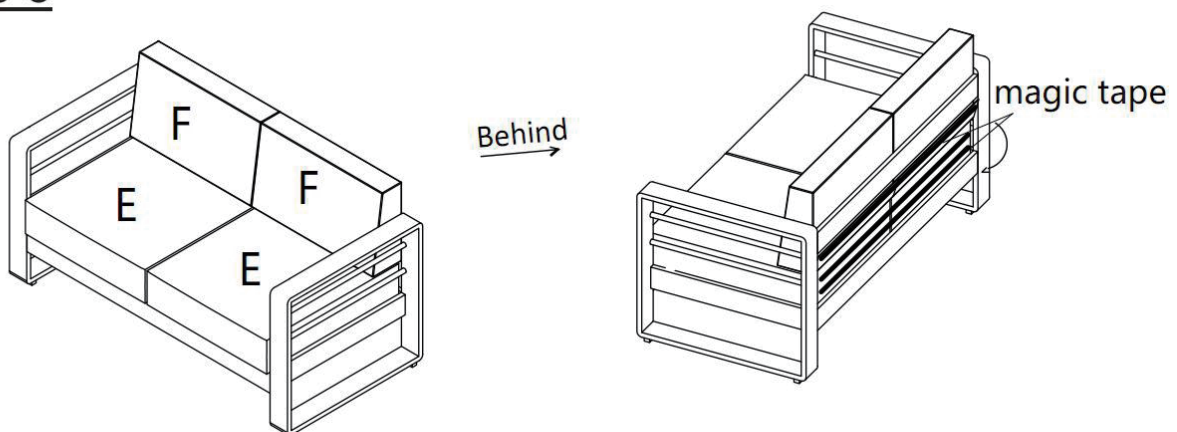
This can lead to distortion of the frame.

If there is any wobbling after tightening the bolts, loosen the bolts and perform the same procedure.

If the Loveseat is unstable, the product may be damaged.

Note: this step is best done with the help of a second adult.

## Step 8



Place the seat cushions (E) and back cushions (F) onto the Loveseat.

Then stick the magic tape from the back pad to the seat cushion. Your Loveseat is ready.