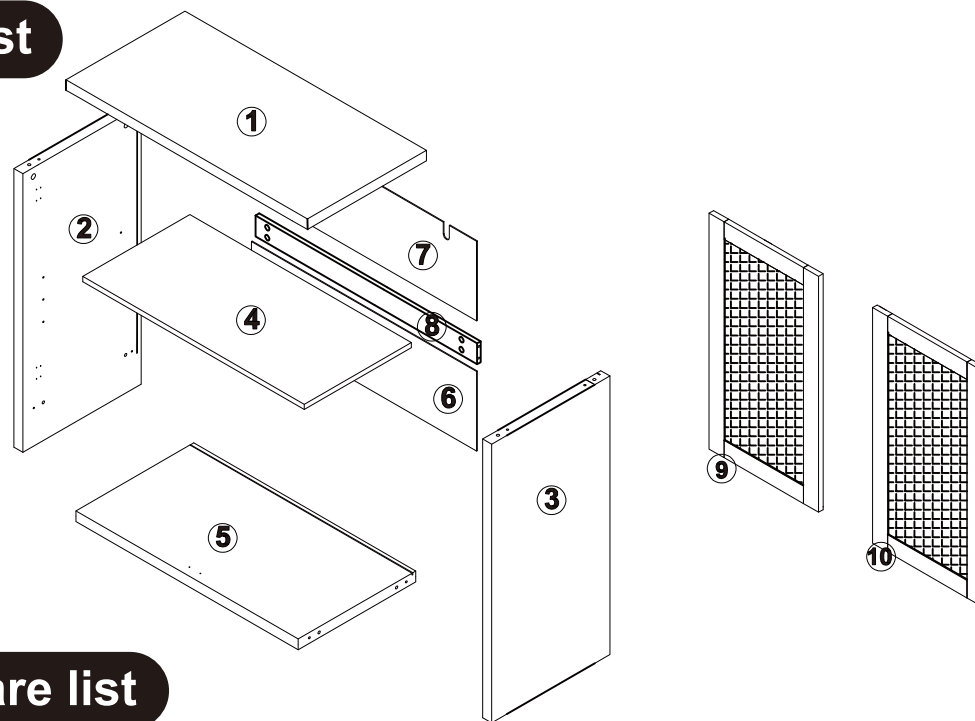
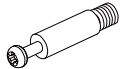




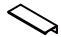
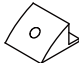








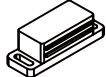



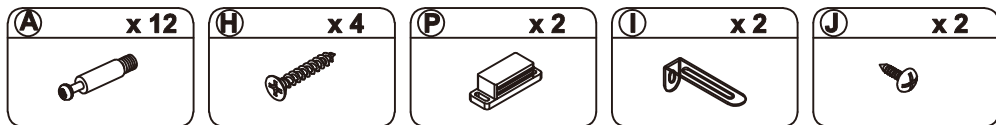
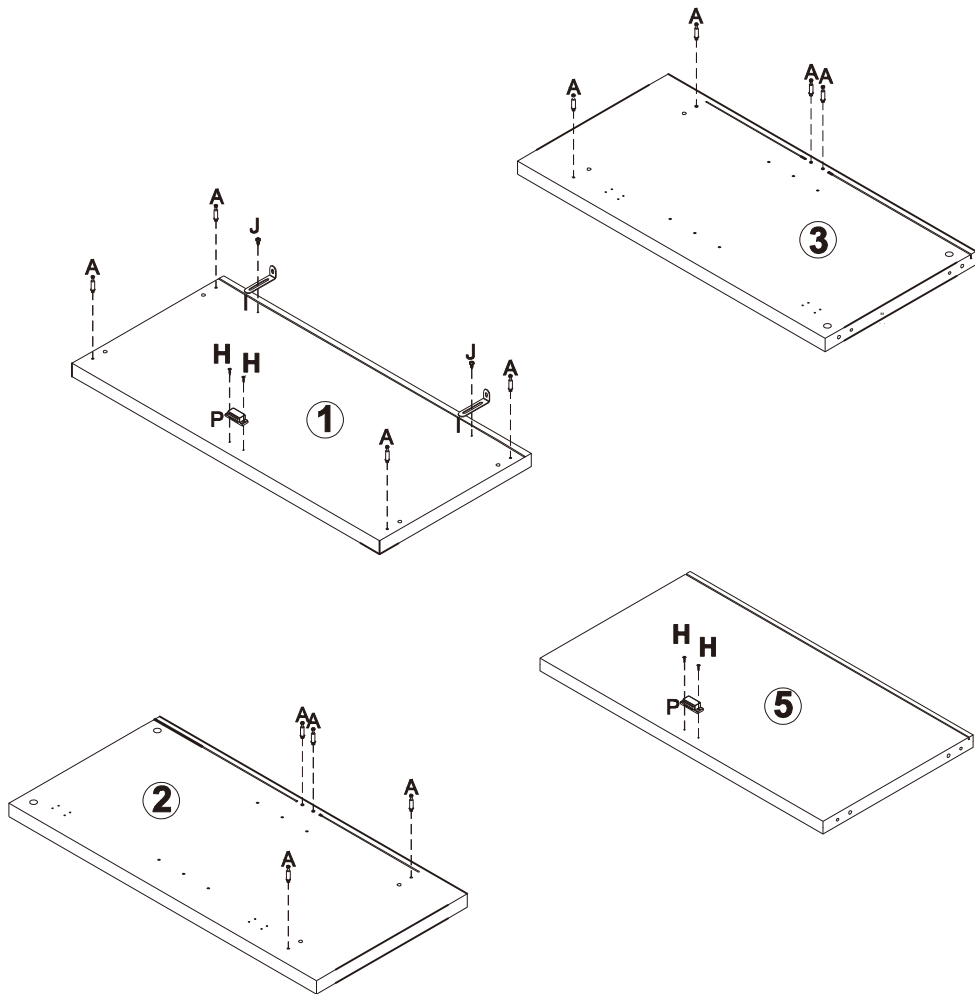
## Parts list



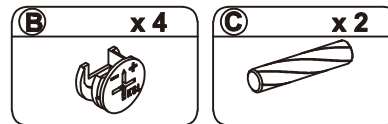
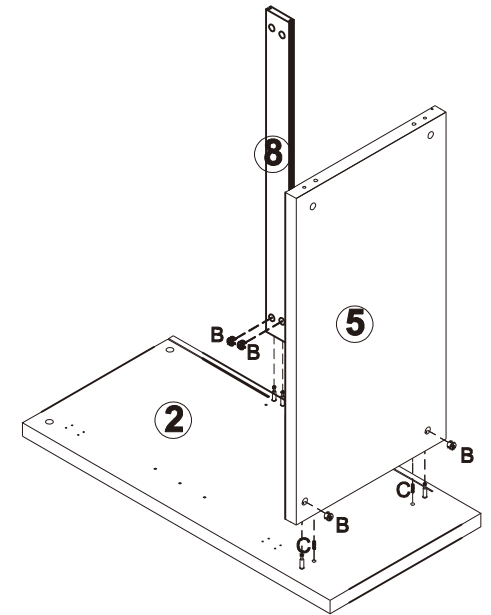
## Hardware list

<b>A</b> x12 	<b>B</b> x12 	<b>C</b> x8 $\phi 6 \times 30 \text{MM}$ 	<b>D</b> x2 M4*35 	<b>E</b> x8 M3*12 
<b>F</b> x2 	<b>G</b> x8 	<b>H</b> x12 M3*16 	<b>I</b> x2 	<b>J</b> x2 M4*12 
<b>K</b> x2 	<b>L</b> x4 	<b>M</b> x4 	<b>N</b> x24 M3.5*14 	<b>O</b> x12 
<b>P</b> x2 	<b>Q</b> x4 			

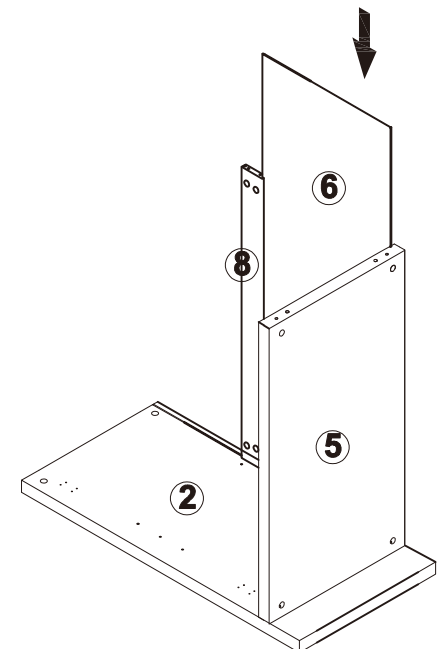
### Step 1



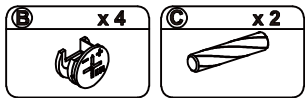
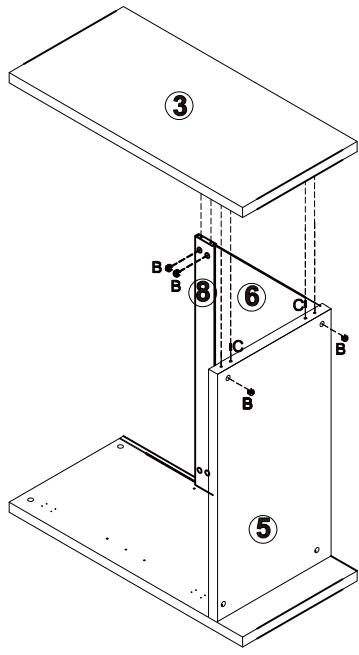
### Step 2



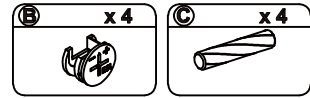
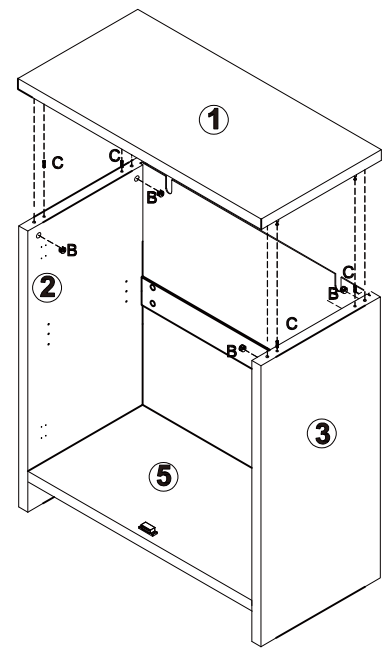
### Step 3



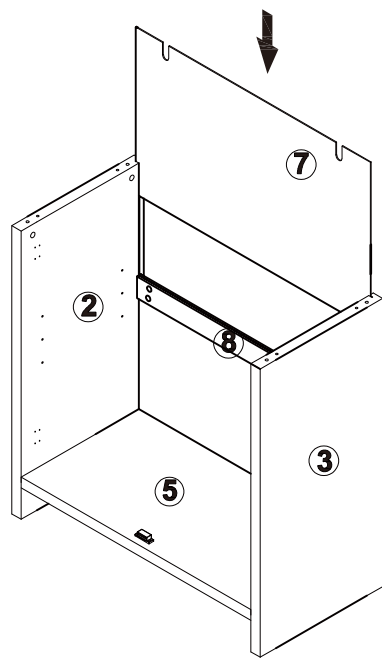
### Step 4



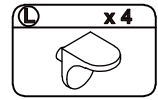
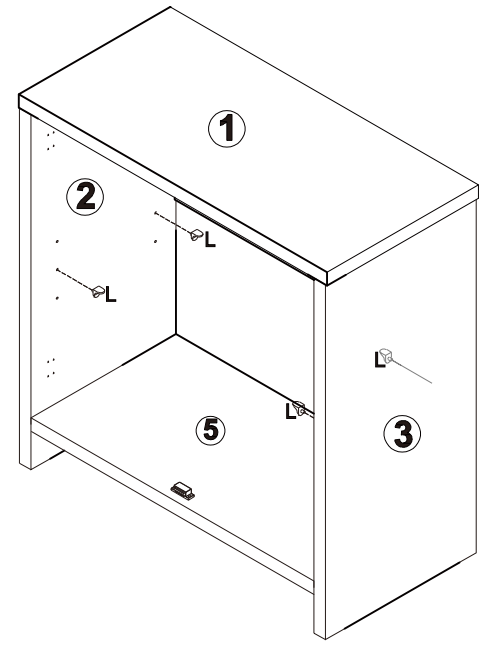
### Step 6



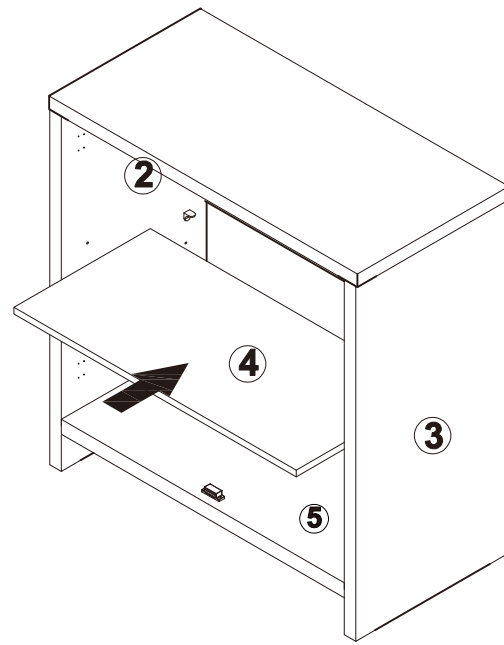
### Step 5



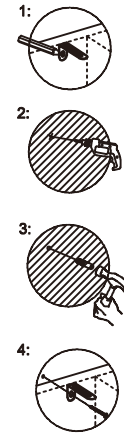
### Step 7



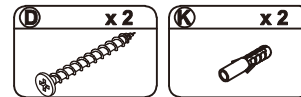
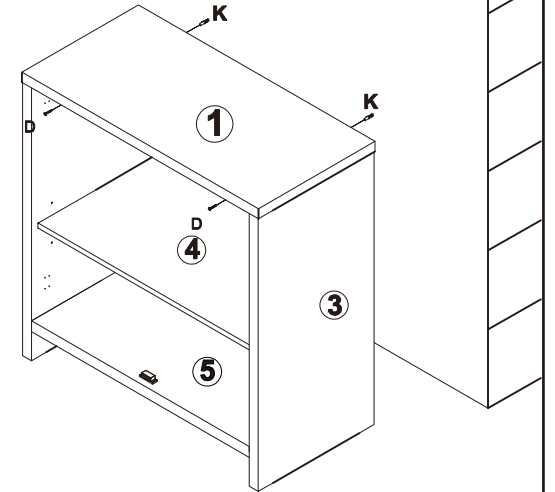
### Step 8



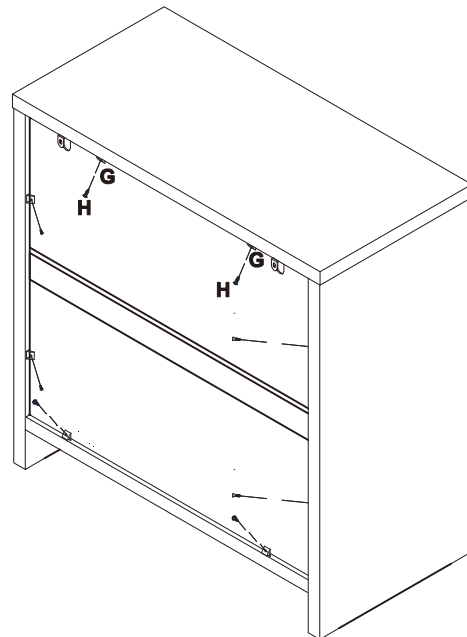
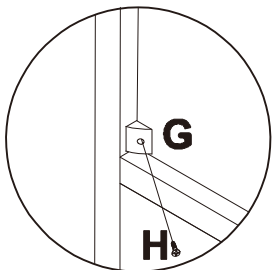
### Step 10



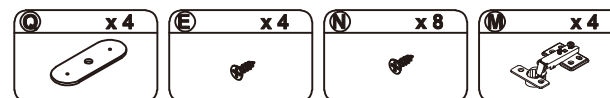
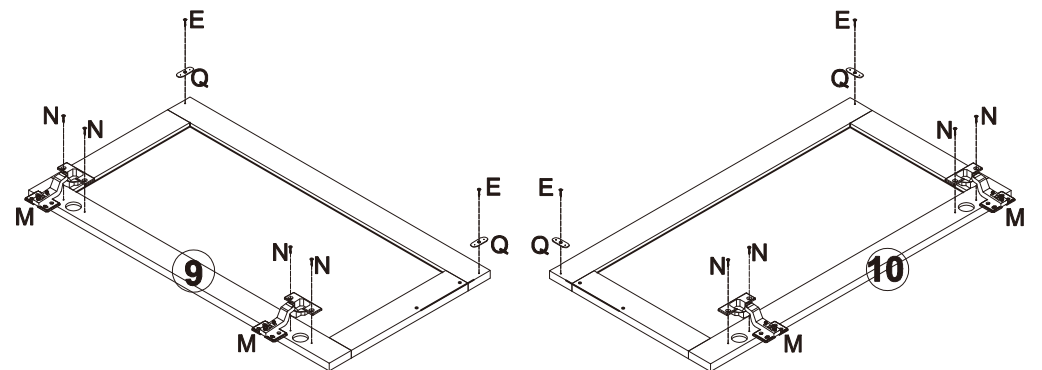
WALL



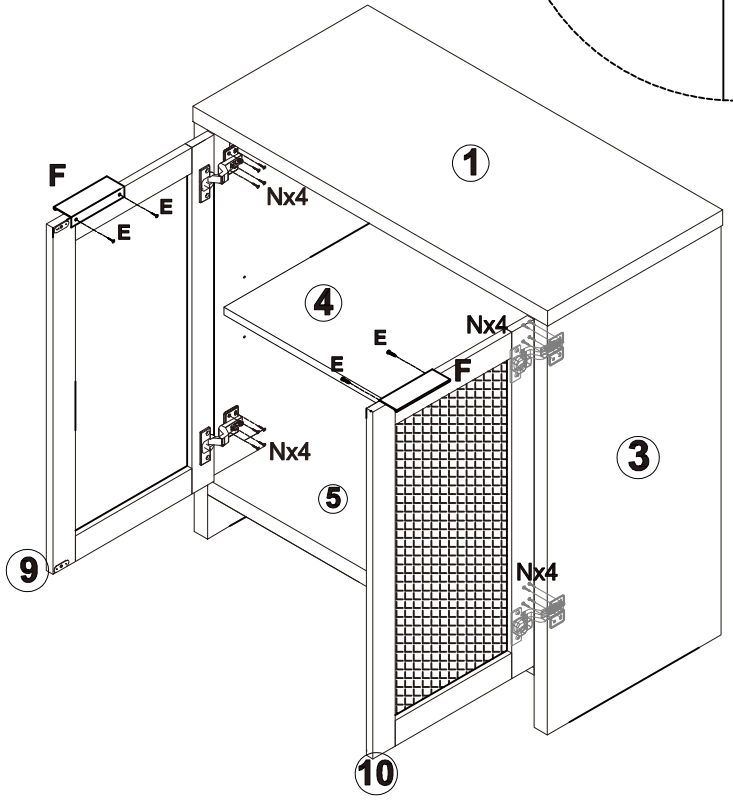
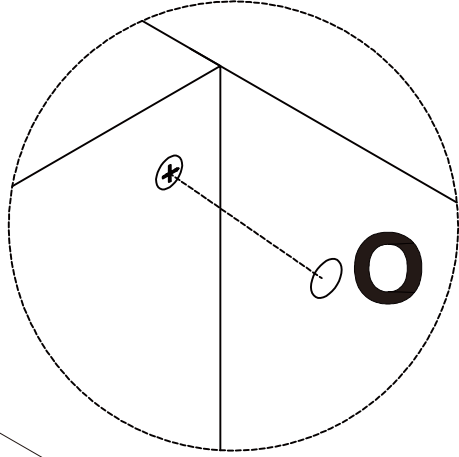
### Step 9



### Step 11

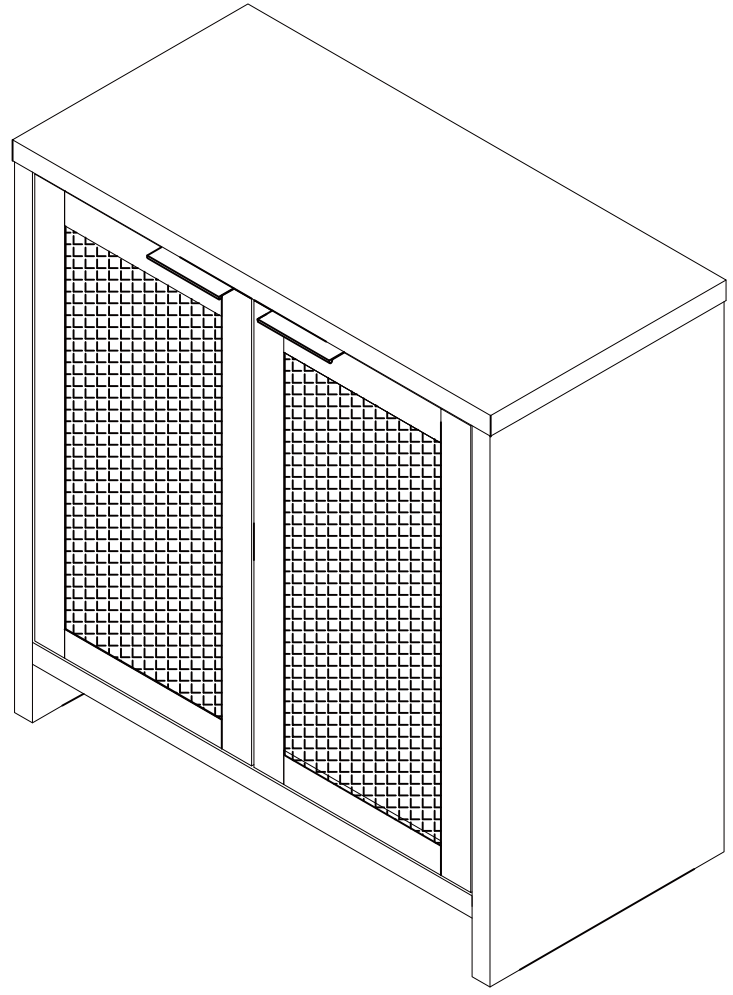


### Step 12



<b>E</b> x 4	<b>F</b> x 2	<b>N</b> x 16	<b>O</b> x 12

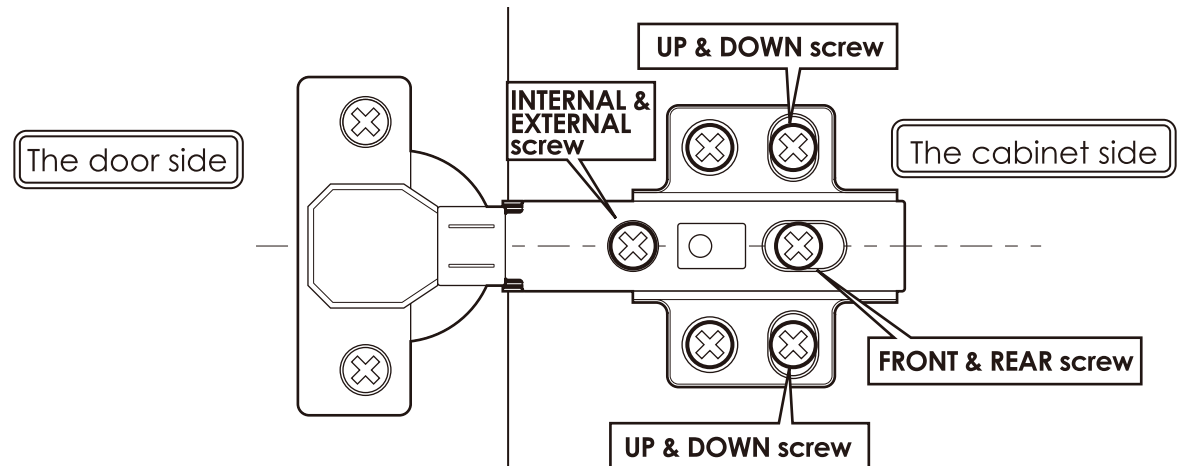
### Step 13



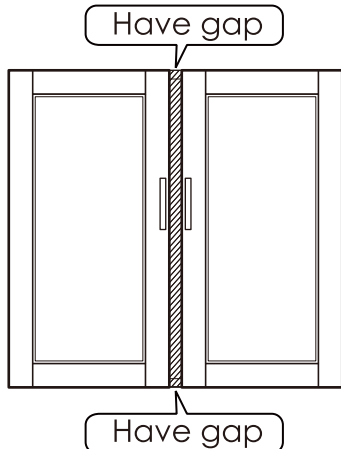
# Adjusting the door

- Before adjusting the hinge, please check whether the cabinet is skewed.
- If the skew can not be repaired, please remove the anti-tipping device first, then adjust the cabinet to vertical position.
- Please adjust the hinge with the door open.
- Please operate it with more than 2 people, one person holds the door and the other one adjusts the screw.
- Have trouble adjusting the door? Please check out our video on adjusting the door via our website or

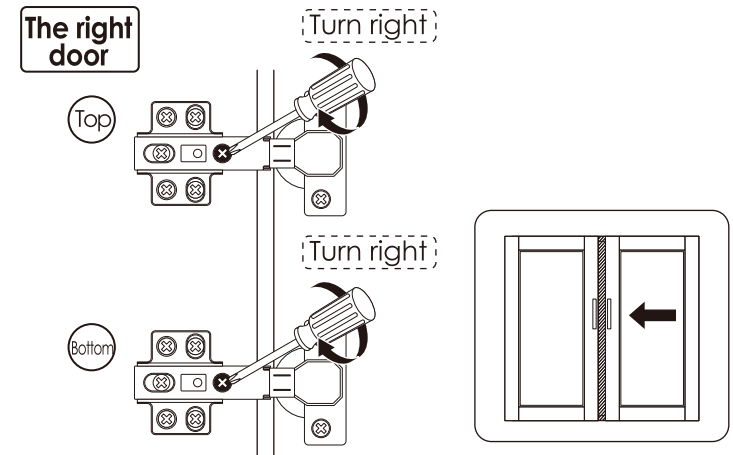
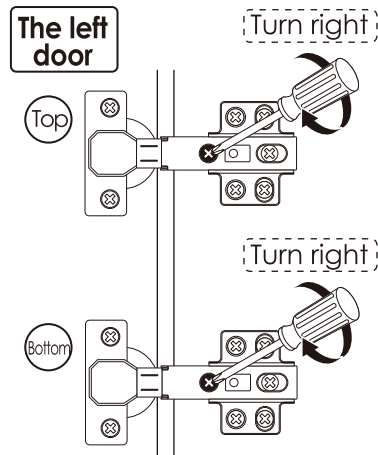
## Components Name



### Obvious gaps between doors or Doors don't look closed



1 Turn "internal & external screw" to the right can make the door approach inside. Please adjust the doors little by little.



※ If the 2 doors are overlap, please turn the "internal & external screw" to the left.

### When door is crooked



Please take the following steps to adjust first.

**1** Rotate the "front and rear screws" to the left

Top (Turn left)

Bottom (Turn left)

※ After adjusting the "front and rear screw", the door still does not change, please turn the "internal & external screw" to the right Slightly.

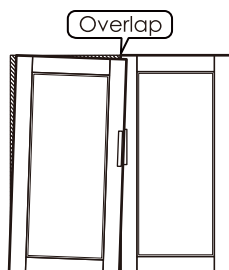
**2** Push the door to the cabinet

**3** Rotate the "front and rear screws" to the right

Top (Turn right)

Bottom (Turn right)

### When door is leaning

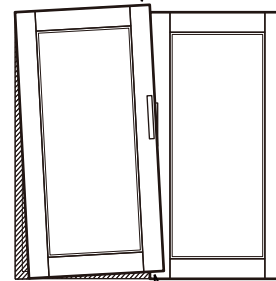


Protruding to the underside

**1** Turn "internal & external screw" to the left can make the top of the door tilted outward.

Top (Turn left)

### Protruding to the upside



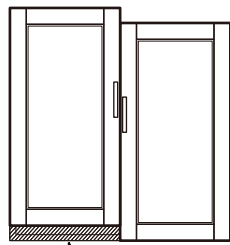
Overlap

**1** Turn "internal & external screw" to the left can make the bottom of the door tilted outward.

Top

Bottom (Turn left)

### When the door is higher on top



Have gap

**1** Turn "up & down screw" to the left

Top (Turn left)

Bottom (Turn left)

**2** Lower the door's height so that 2 doors are of the same height.

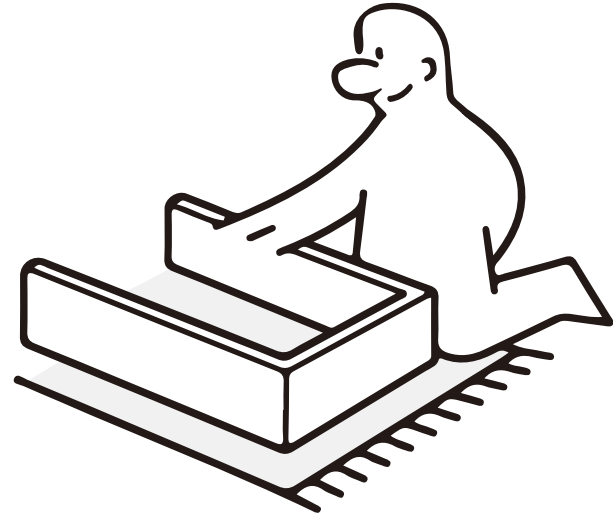
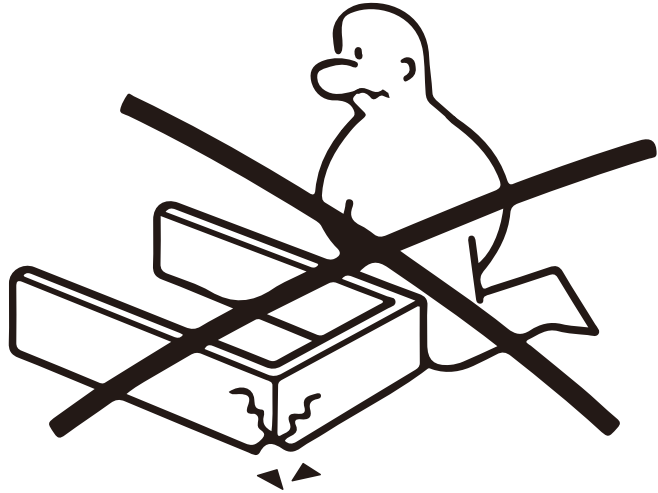
**3** Turn "up & down screw" to the right

Top (Turn right)

Bottom (Turn right)

※ If the door is lower on bottom, please lift up the left door slightly on step 2

※ **Stay Scratch-Free: Safeguard Your Furniture by Assembling on Carpet.**



※ **Stuck in Assembly Limbo? Check out our website or contact our support team for quick solutions!**

