


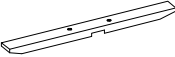

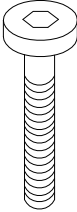


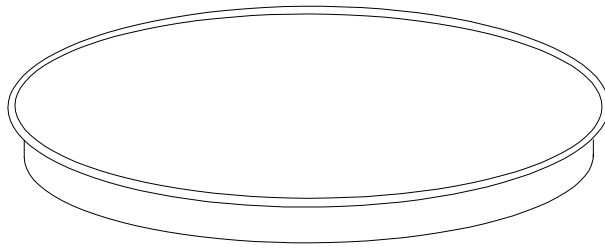
30'



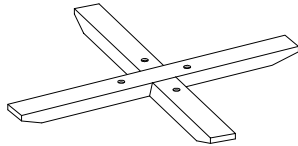
2

P1	P2	P3	P4	H1	H2
					
x 1	x 1	x 4	x 2	x 1	M6 x 40 x 4

P1



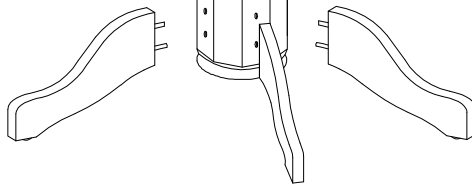
P4 x 2



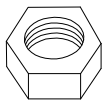
P2



P3 x 4

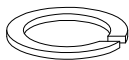


H3



x 8

H4



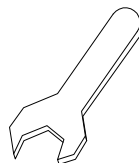
x 8

H5



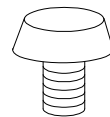
x 8

H6



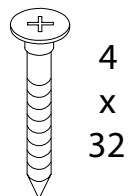
x 1

H7



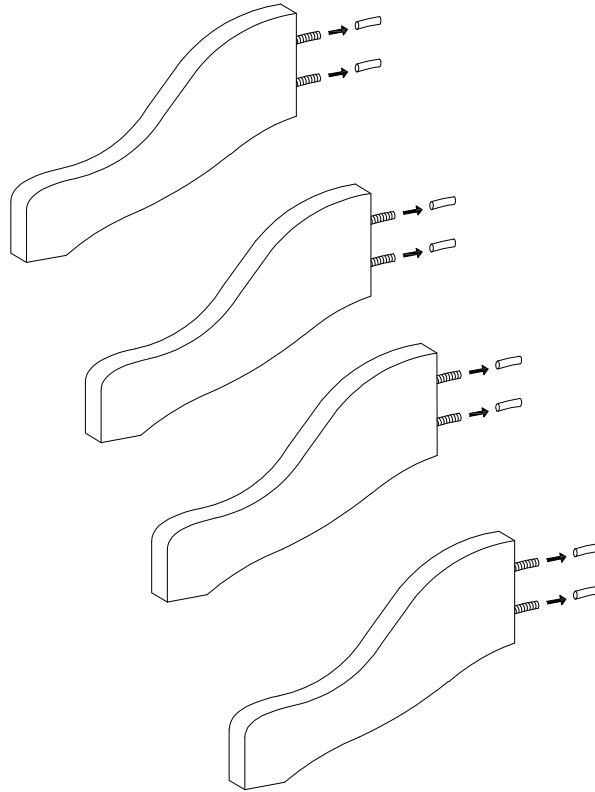
x 4

H8

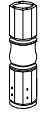
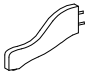
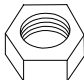


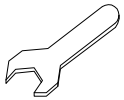


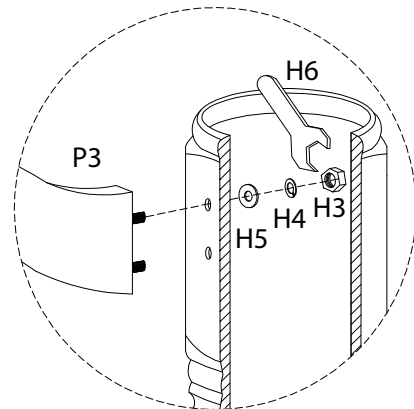
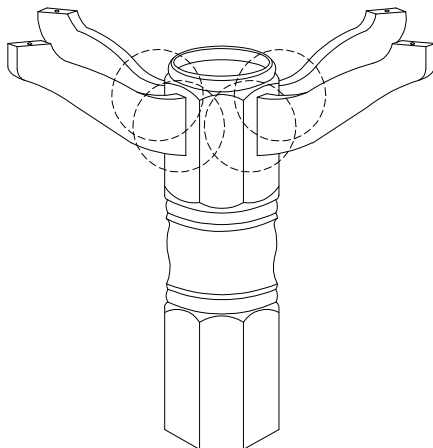
4
x
32
x 12

!



1

P2  x 1	P3  x 4	H3  x 8	H4  x 8	H5  x 8	H6  x 1
---------------------------------------------------------------------------------------------------------	---------------------------------------------------------------------------------------------------------	---------------------------------------------------------------------------------------------------------	----------------------------------------------------------------------------------------------------------	-----------------------------------------------------------------------------------------------------------	-----------------------------------------------------------------------------------------------------------

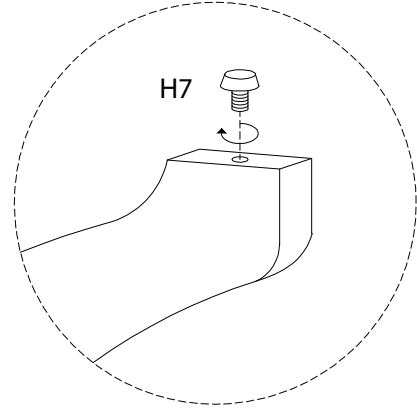
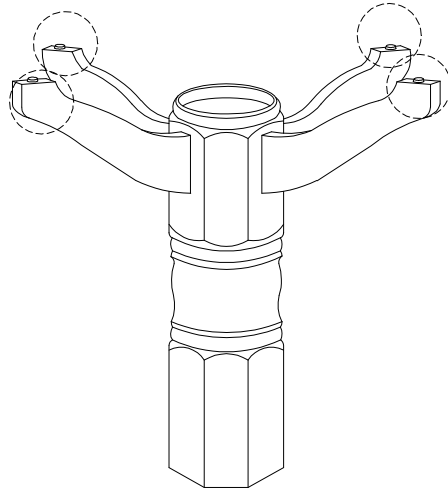


2

H7

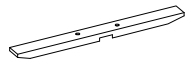


x 4



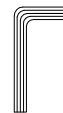
3

P4



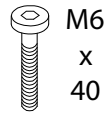
x 2

H1

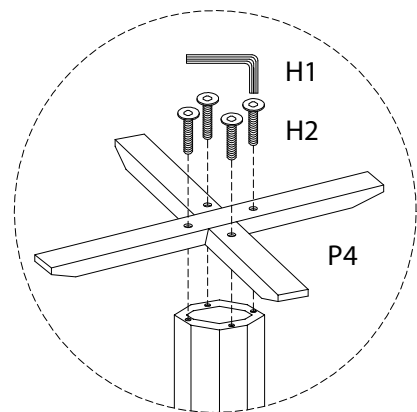
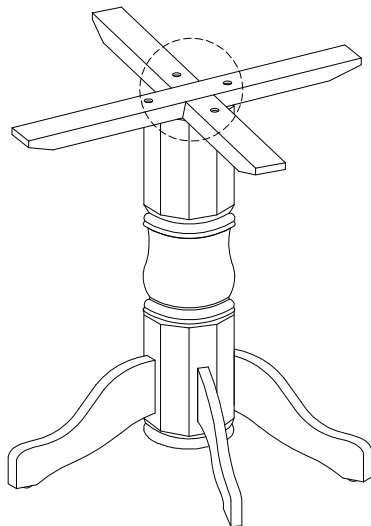


x 1

H2



x 4



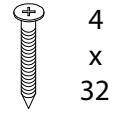
4

P1



x 1

H8



4
x
32

x 12

