

Scan the QR code to view the assembly video.

### \* Only 1 Shelf included

Monitor shelf can be moved arbitrarily and placed where you like, you can get to maximize your desktop space.

## Components


If you need any help or have damaged/missing parts, please contact us.

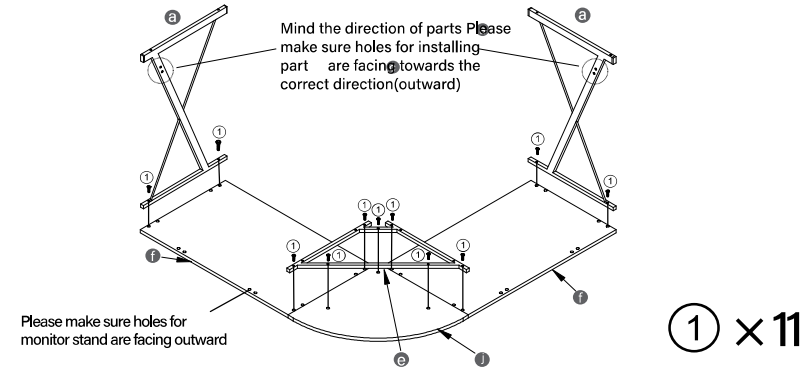
## Important Assembly Advice

<p>1. Parts of assembly will be MUCH EASIER with 2 people.</p>	
<p>2. Before assembly: Lay out all parts on the opened carton. Identity tagged components and count them before assembly. Notice: Make sure correct screws are used for corresponding components.</p>	
<p>3. Please keep a mild tightness on all the screwing during assembly. After the whole desk is assembled, firmly tighten all the screws.</p>	

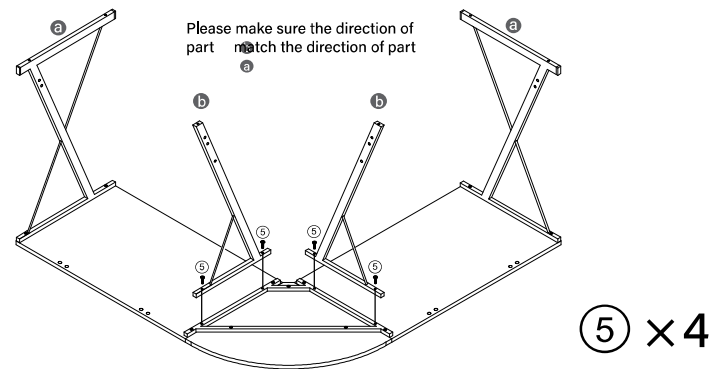


## Assembly Instructions

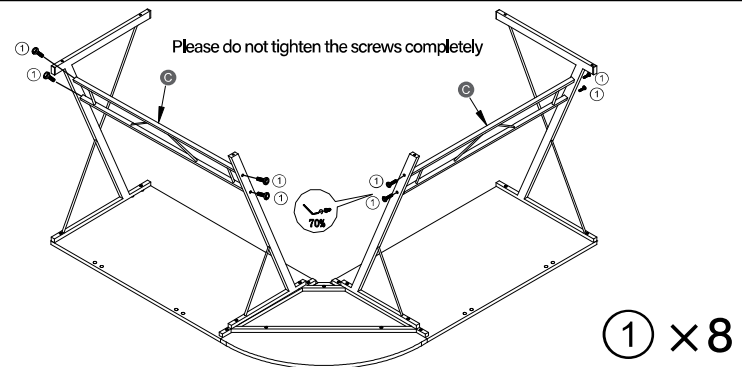
**1.** Fix frame **a** and **e** on boards **f** and **i**



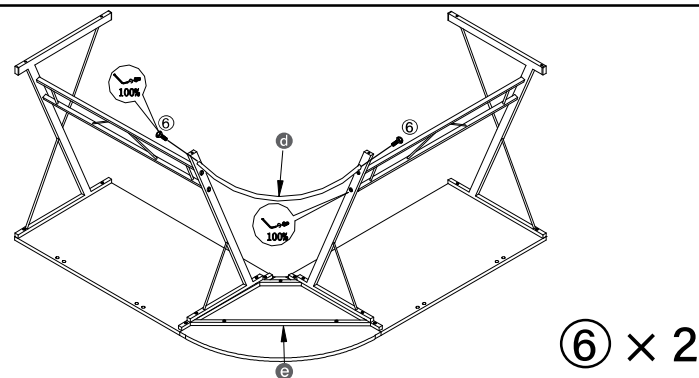
**2.** Fix frame **b** on frame **e**



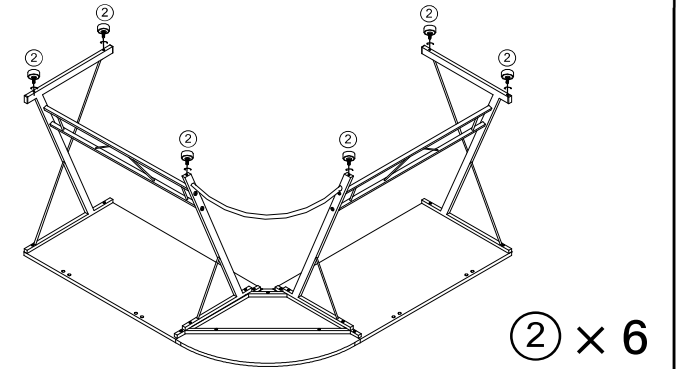
**3.** Install frame **c** between desk legs



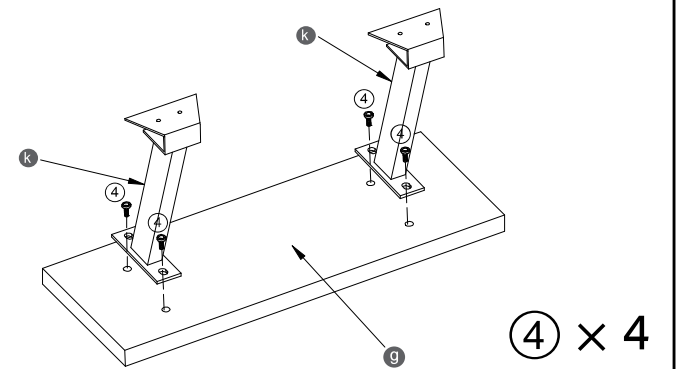
**4.** Install bar **d** between frame **d**



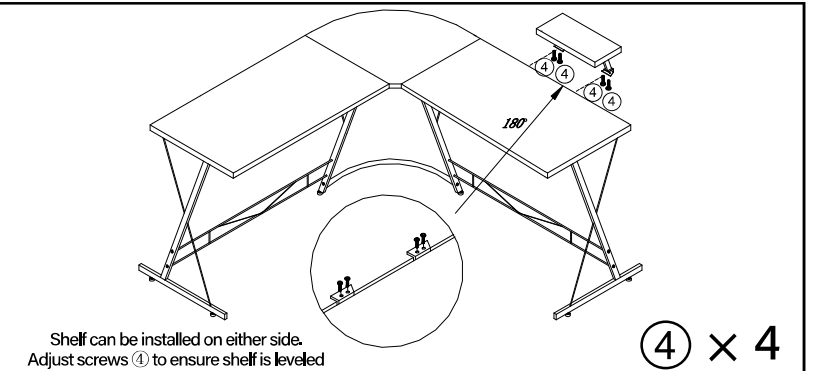
**5.** Foot pad assembly



**6.** Monitor shelf assembly



**7.** Install monitor shelf



**8.** Finished!

