

ASSEMBLY INSTRUCTIONS

ROUND TABLE

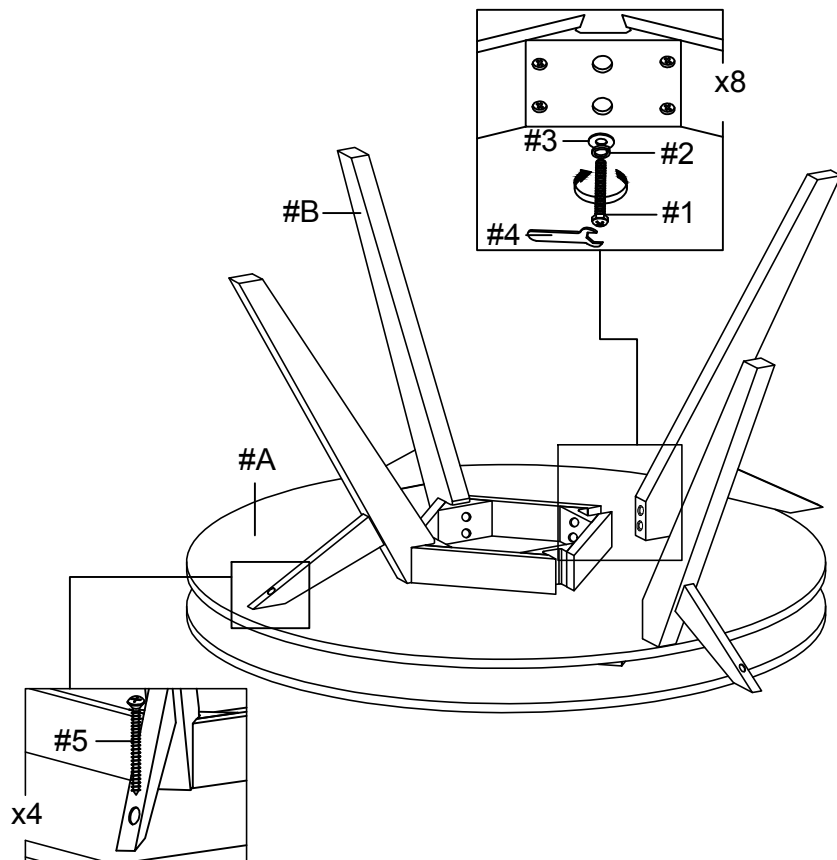
Read this instruction carefully. Refer hardware and furniture parts list for guidance. Be sure all parts are complete, before assembling. Place all wooden furniture part on a clean and flat soft surface to prevent scratches. Refer steps provided as assembling guide.

PART LIST			HARDWARE LIST		
ITEM	DESCRIPTION	QTY	ITEM	DESCRIPTION	QTY
A	TABLE TOP	1 PC	1	Hex Comb 5/16" x 2 1/2"	8 PCS
B	TABLE LEG	4 PCS	2	Spring Washer 5/16"	8 PCS
			3	Flat Washer 5/16"	8 PCS
			4	Spanner 12.8mm	1 PC
			5	Csk Screw #8 x 32mm	4 PCS

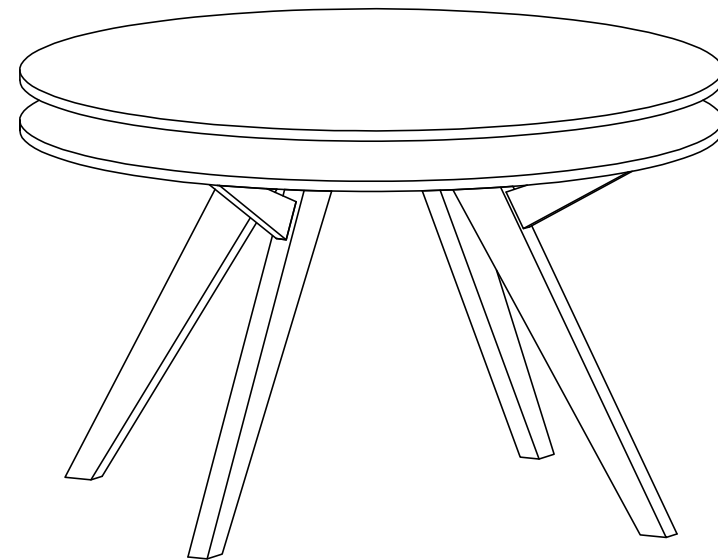
CAUTIONS :

1. Do not **FULLY-TIGHTEN** the nuts or nut bolts until all are in place.
2. To prevent thread damage. Ensure that nuts or nut bolts are not over-tighten.
3. Hardware are to be kept out of reach from children.

STEP 1



STEP 2



COMPLETED ASSEMBLY