
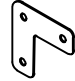
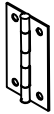




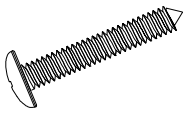
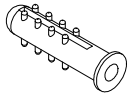
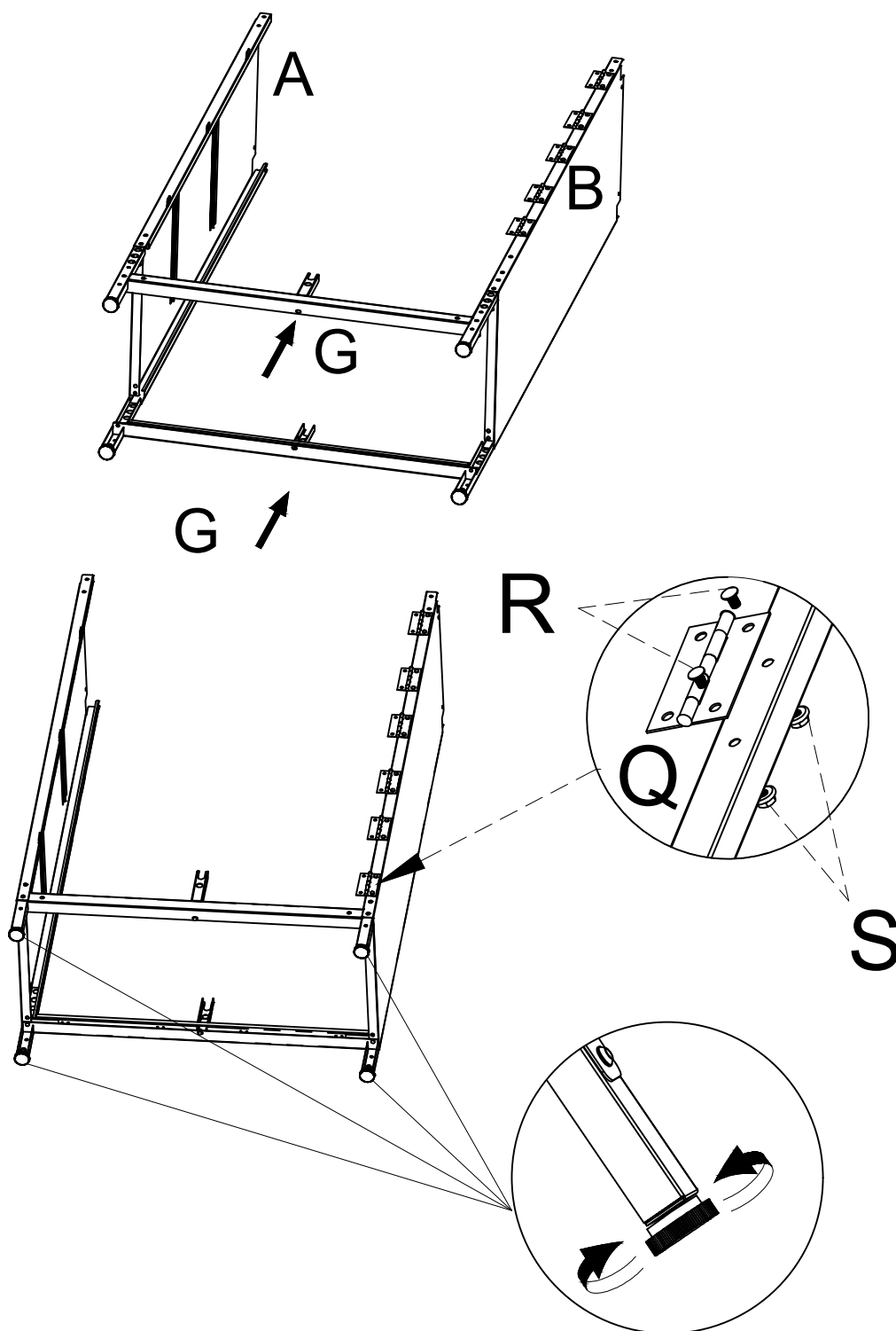


O		x2	P		x2	Q		x1
R		x32	S		x32	T		x14
U		x4	V		x2	W		x2

# step 1



R 

x2

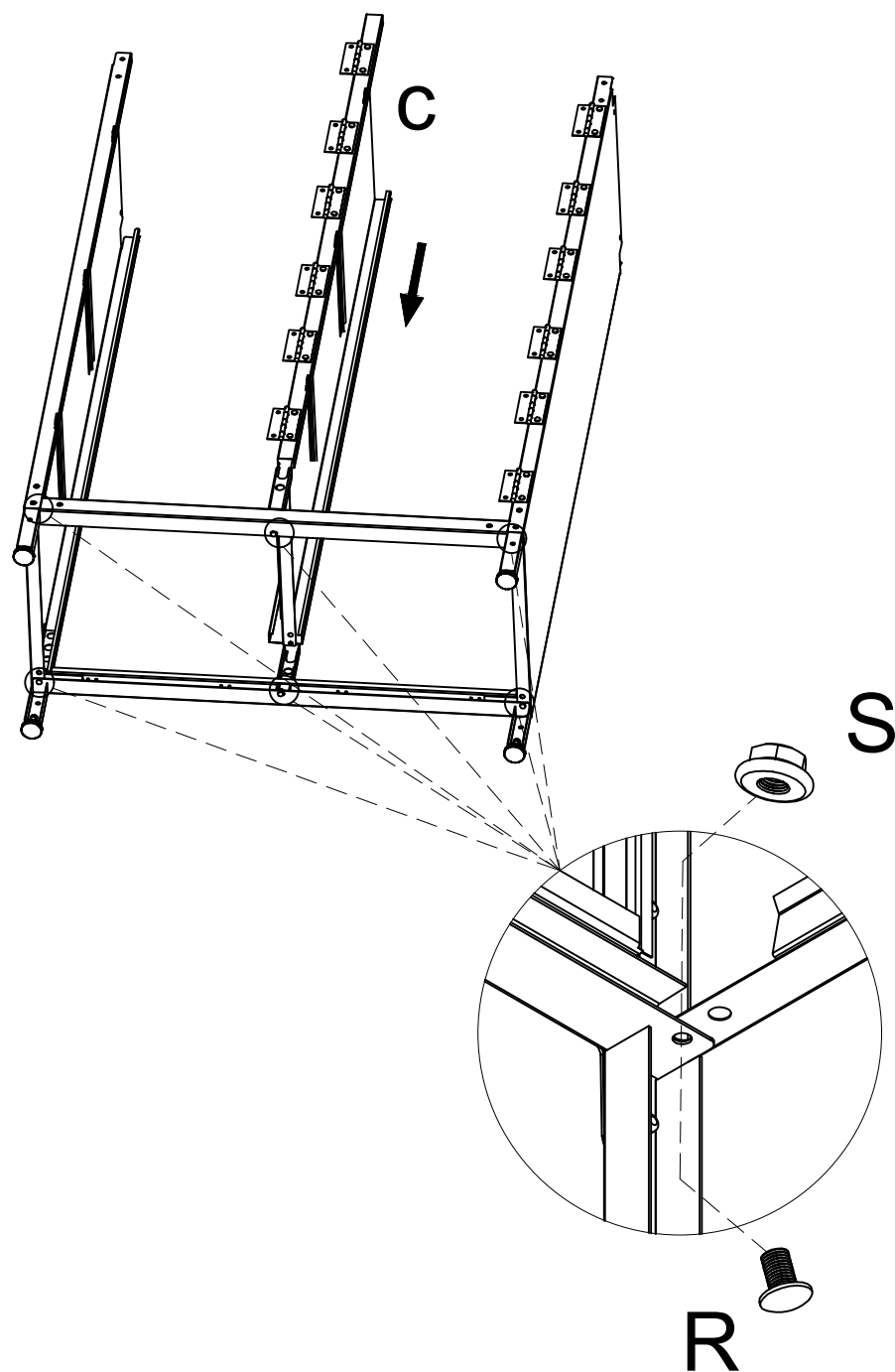
S 

x2

Q 

x1

# step 2



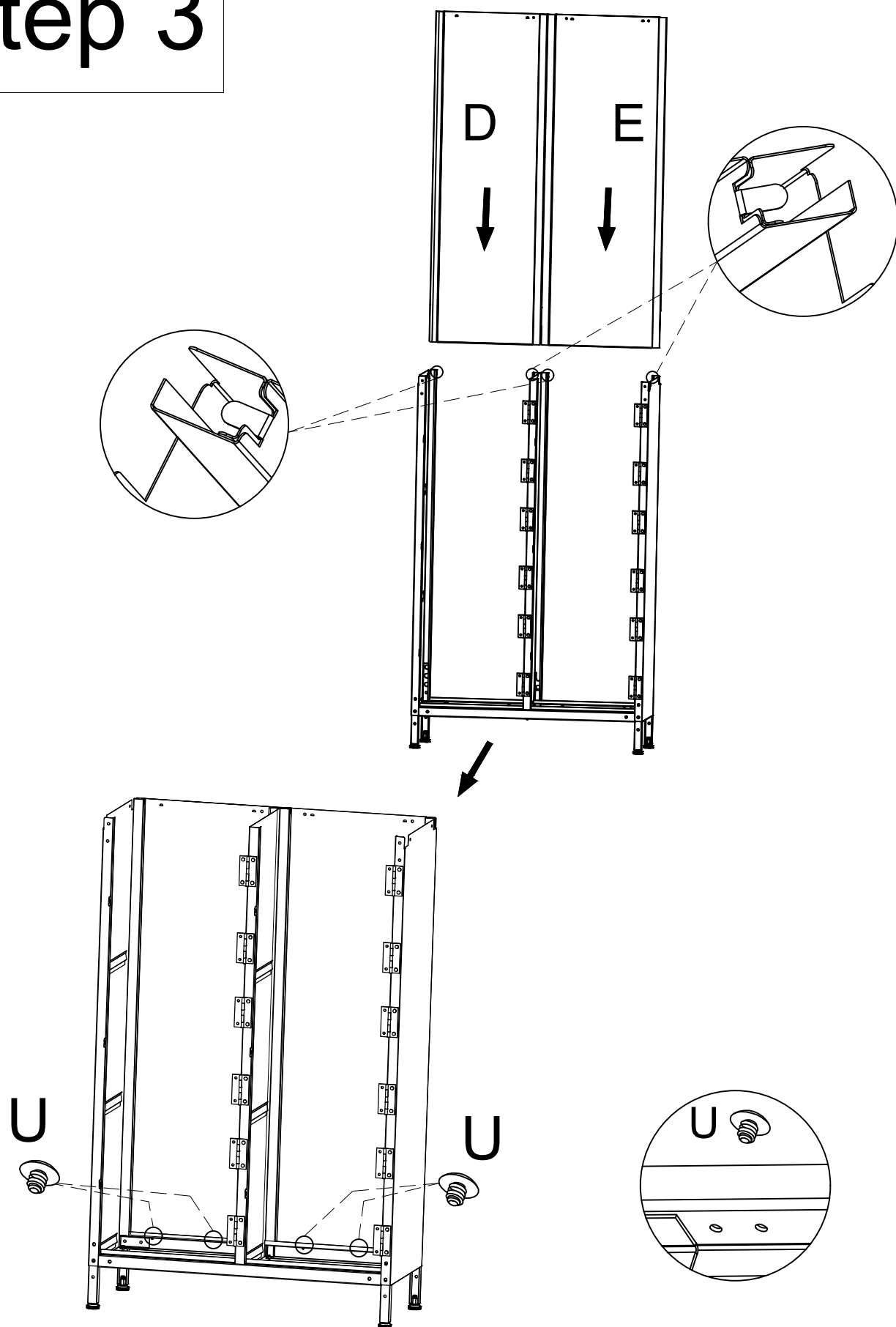
R x6



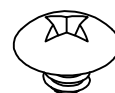
S x6



# step 3

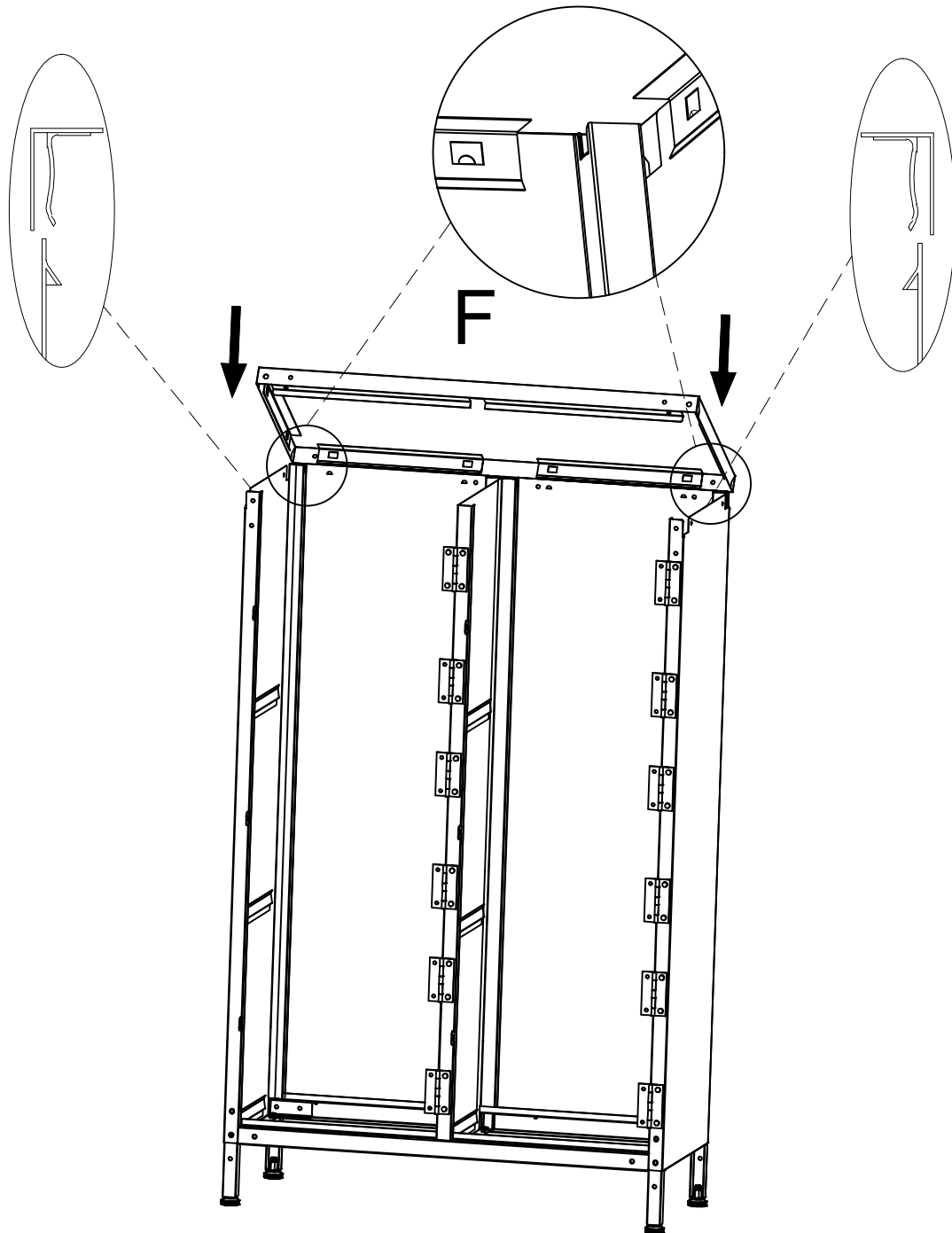


U

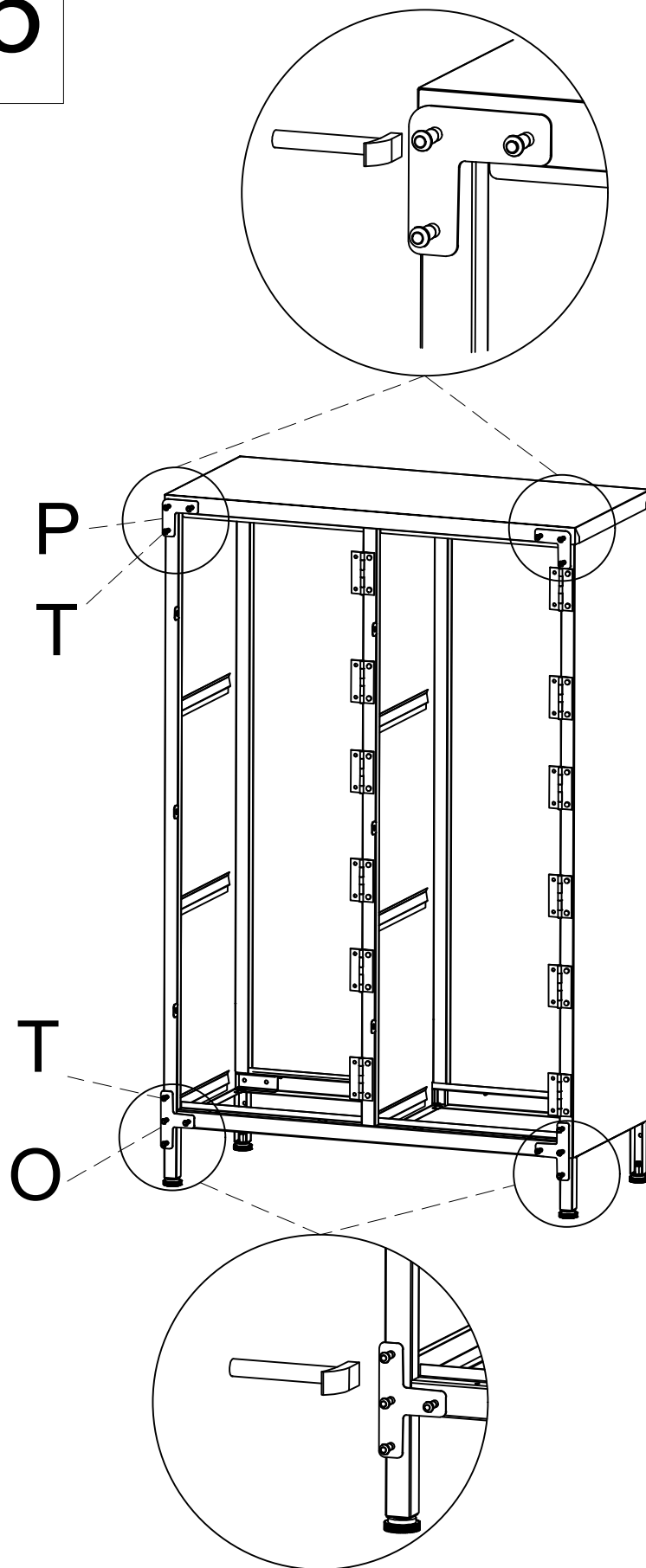


x4

# step 4



# step 5



O



x2

P



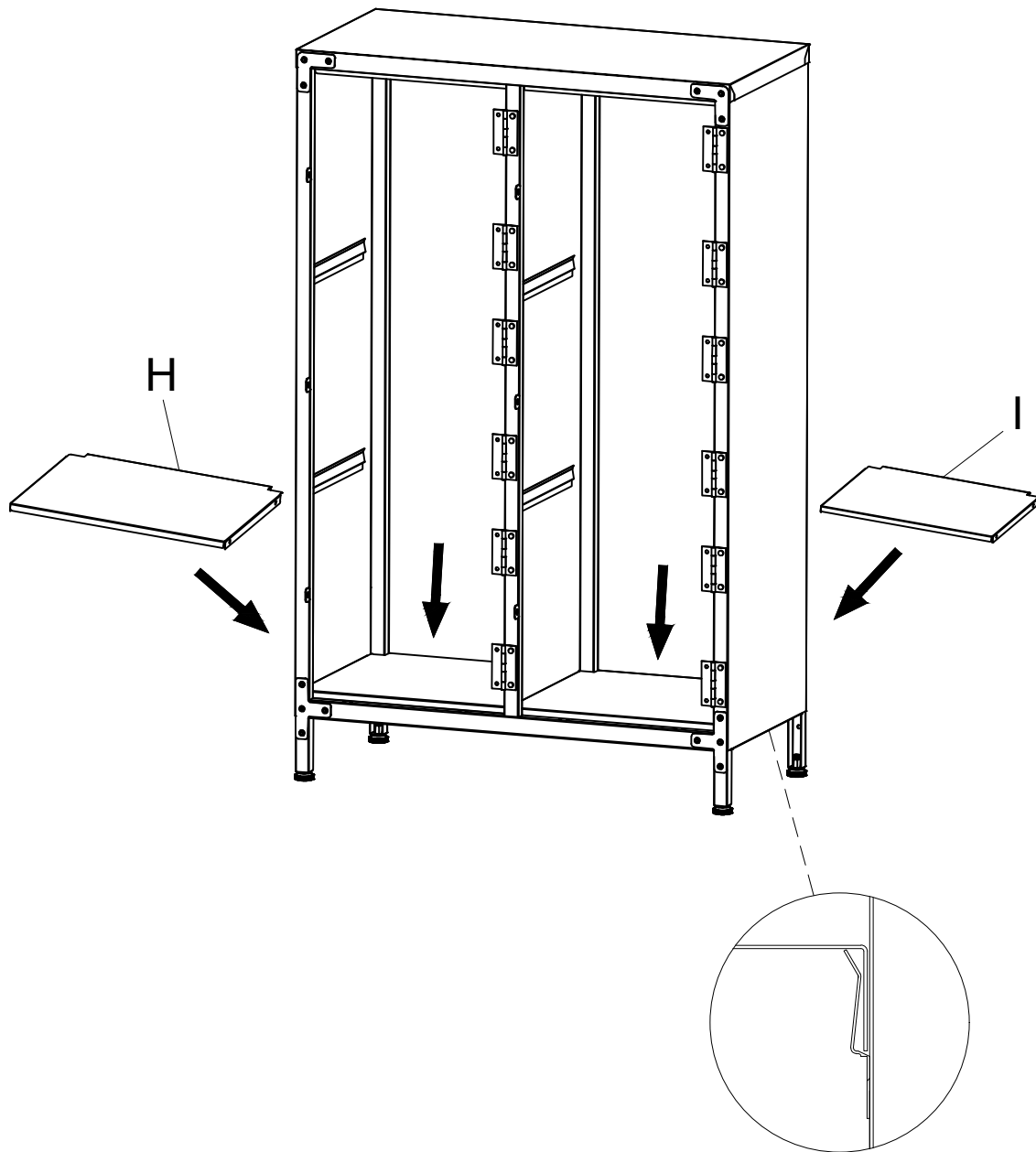
x2

T

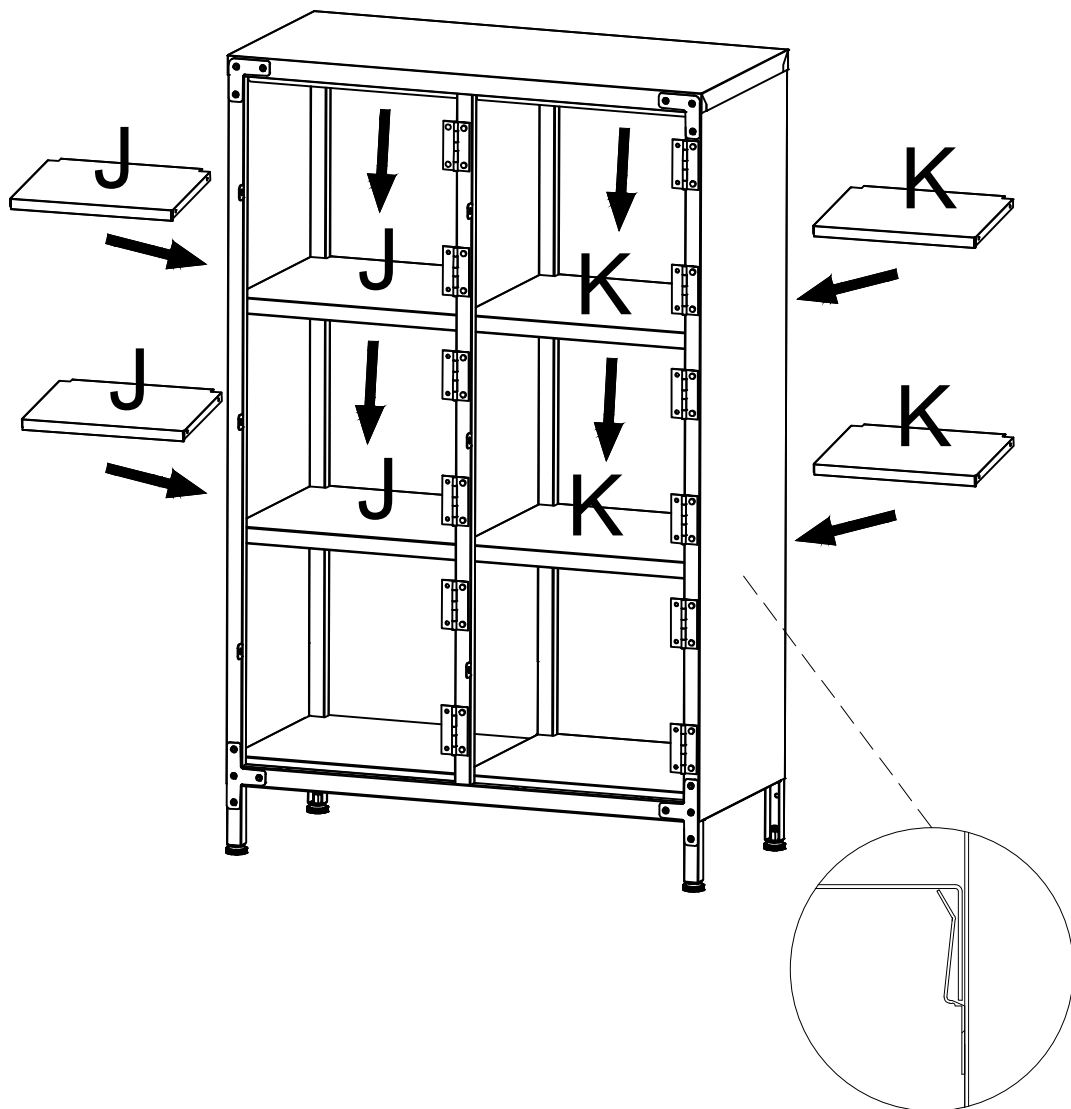


x14

# step 6

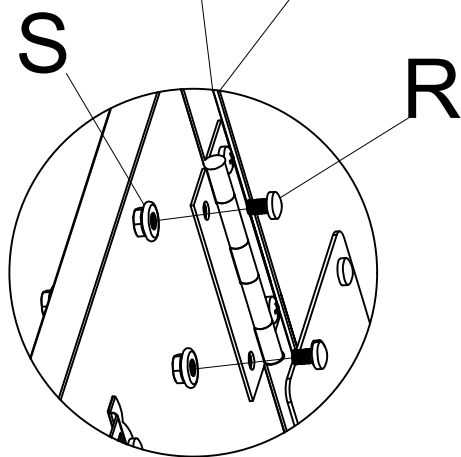
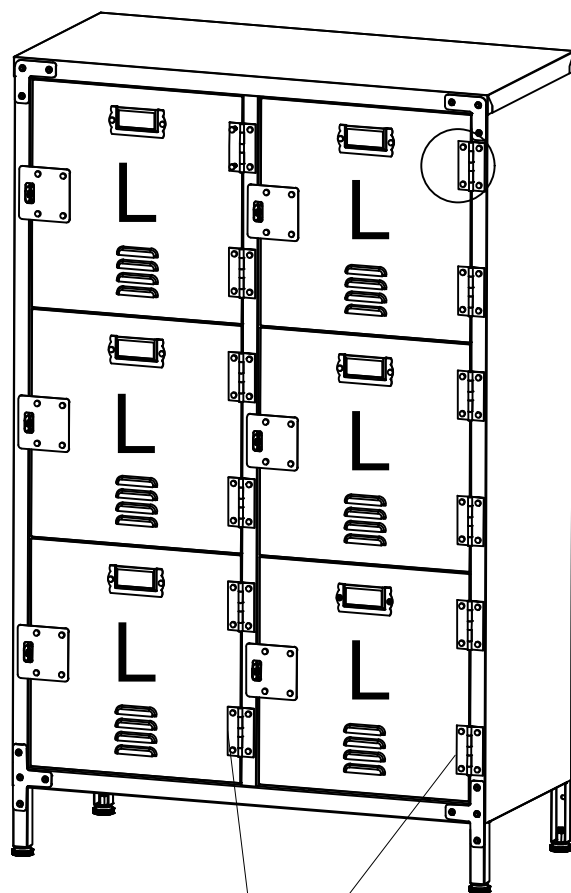


# step 7



# step 8

Adjust parts L clearance,  
and then fastening accessories S  
More spare parts be prepared just in case



R



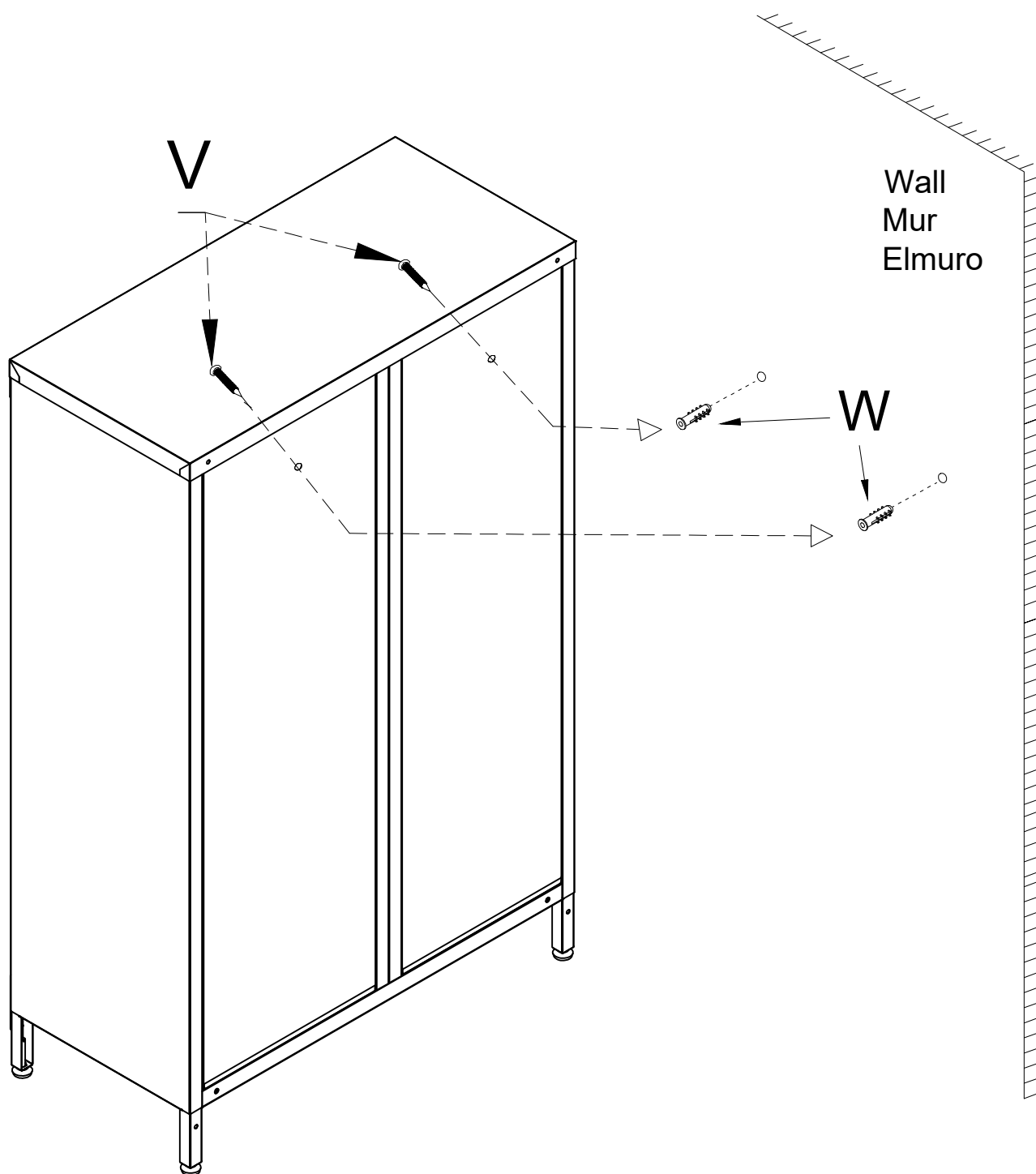
x24

S

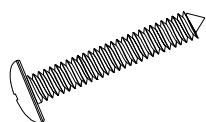


x24

# step 9

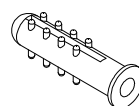


V



x2

W



x2