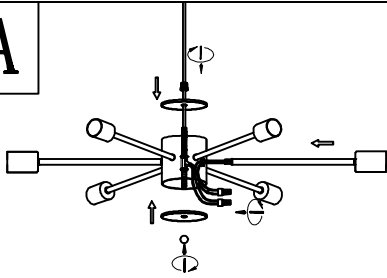


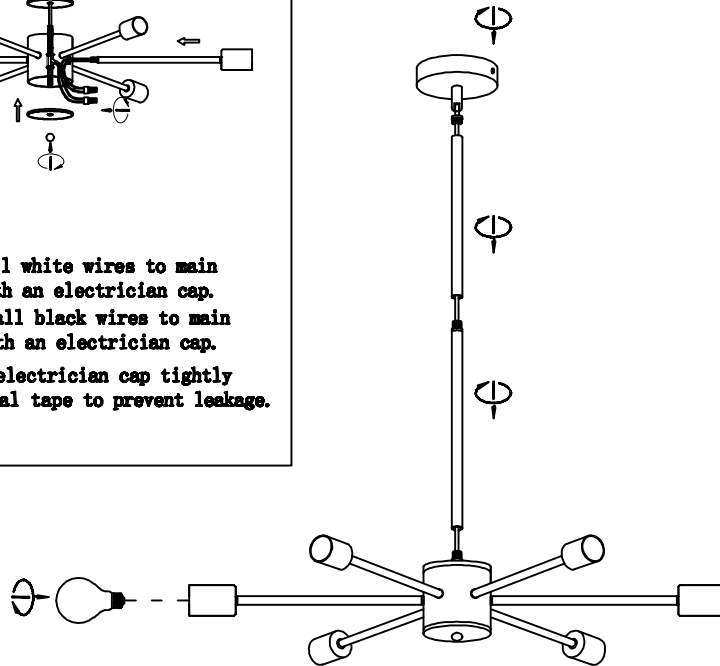
Lamp body installation instructions

A



- (1) Connect all white wires to main white wire with an electrician cap.
- (2) Connect all black wires to main black wire with an electrician cap.
- (3) Wrap the electrician cap tightly with electrical tape to prevent leakage.

B



A: Install all lamp cap tubes on the lamp holder and secure them with nuts. Then the positive and negative parallel separate wiring. Cover the metal cover and fix it securely with ball nut teeth

B: Screw on the water pipe, screw on the top tray, and finally screw on the light bulb

C: Fix the hanging plate on the junction box with the screws on the fitting bag

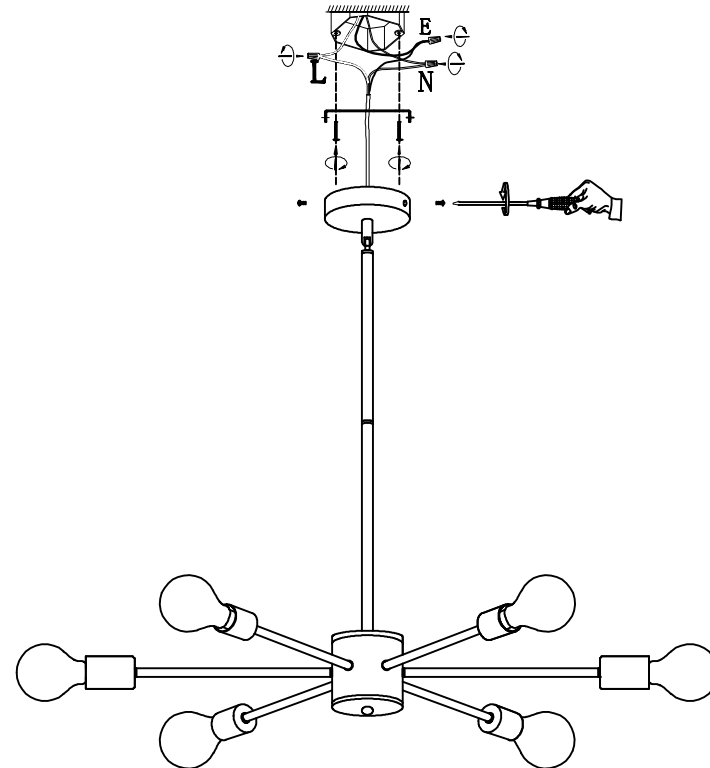
C: Connect the main line on the suction top plate with the reserved line on the ceiling with a wiring cap

C: Put the whole lamp on the hanging plate, and then twist the screw into the tooth on the side of the hanging plate (without screwdriver).

Lamp body installation instructions

C

Black wire (or brown wire) : connect with fire wire (L)
White wire (or blue wire) : connect with neutral wire (N)



Notes:

It is strictly prohibited to wipe the surface of lamp body with tianna and other chemical solvents. Cotton cloth is recommended. Glue a small amount of water to gently wipe the lamp.

Warm tips: this lamp is only for indoor installation and is strictly prohibited for outdoor use