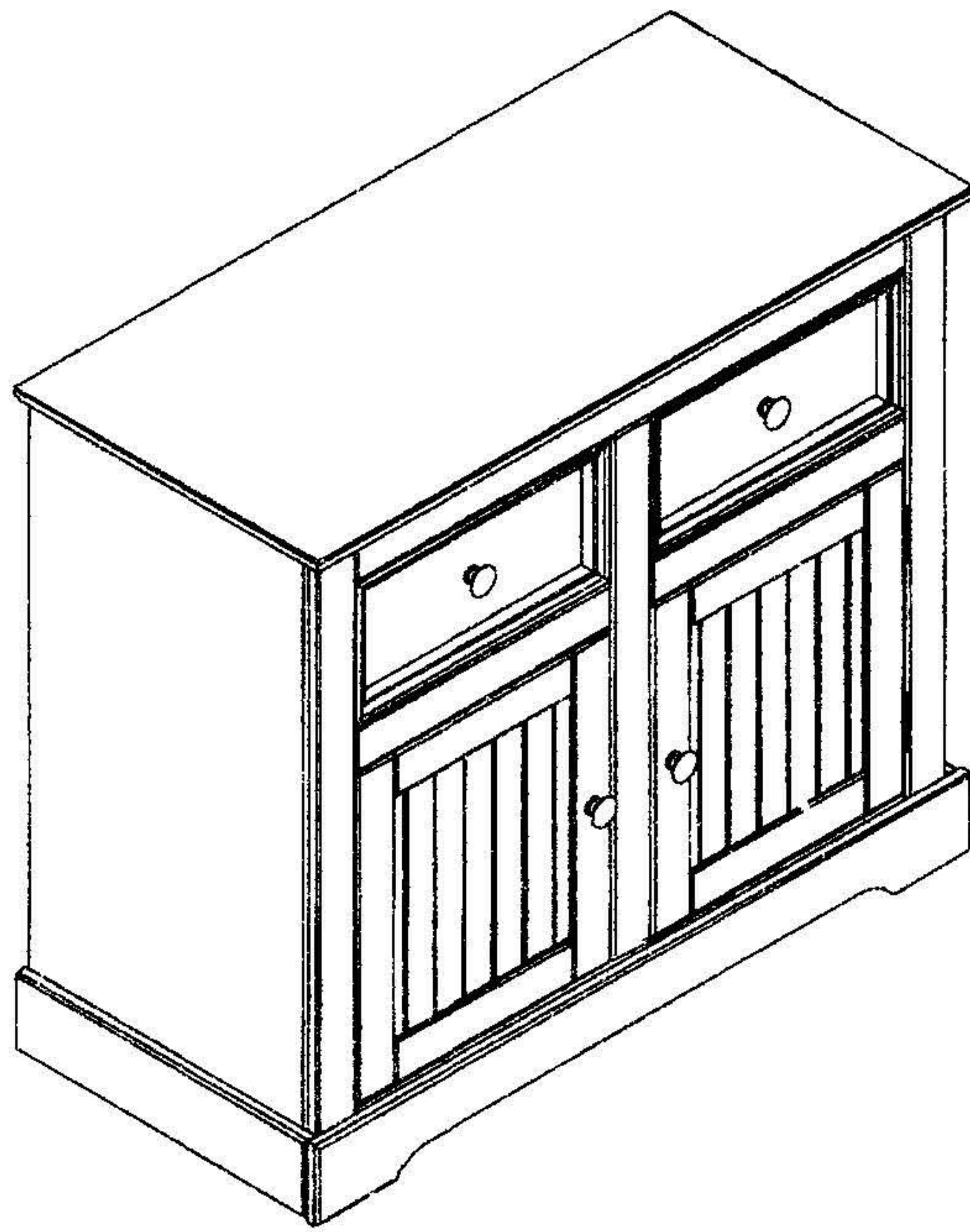
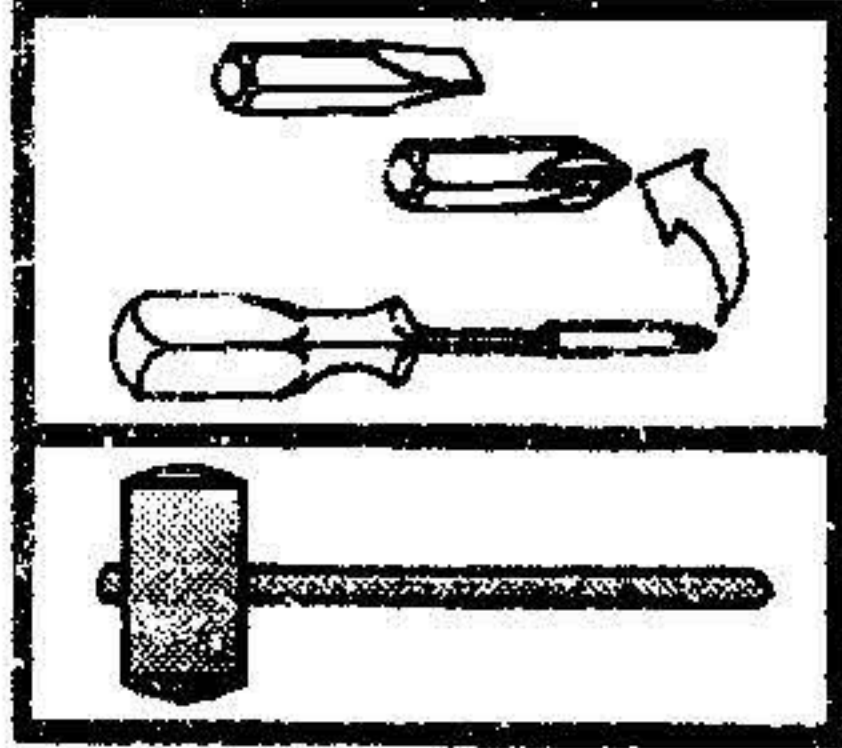
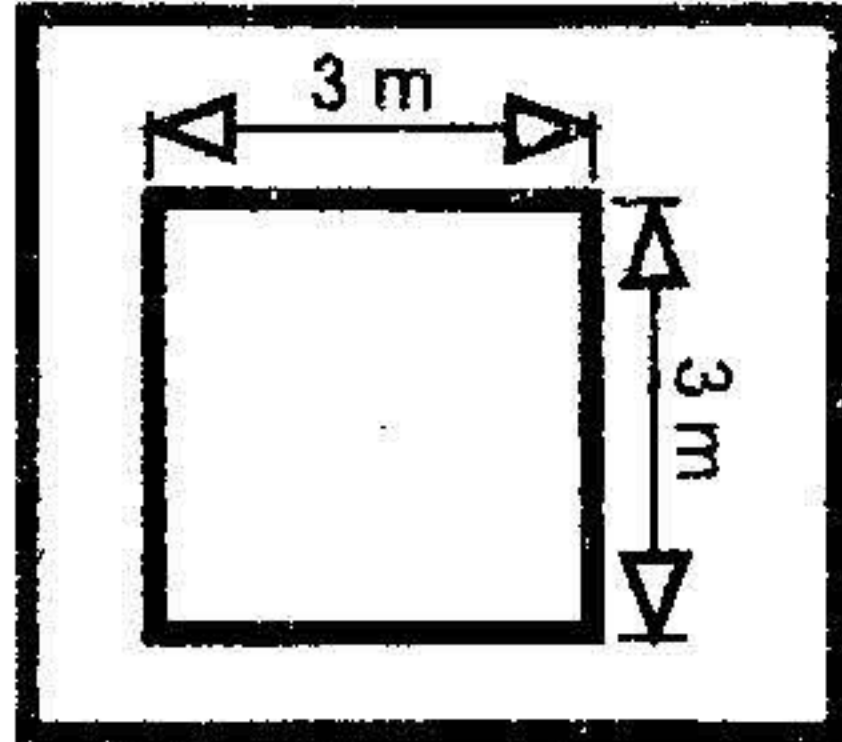
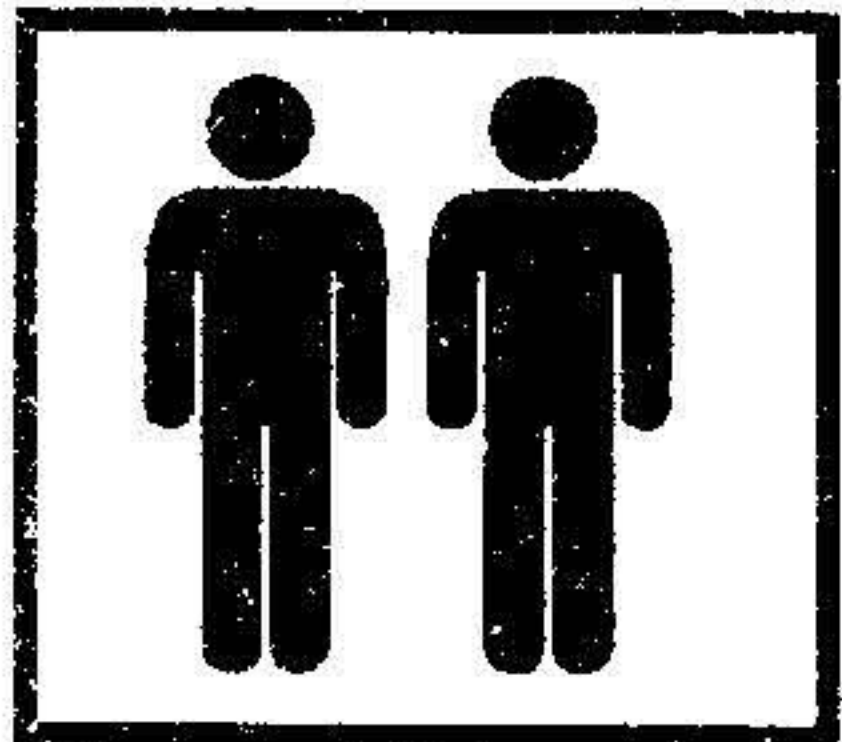
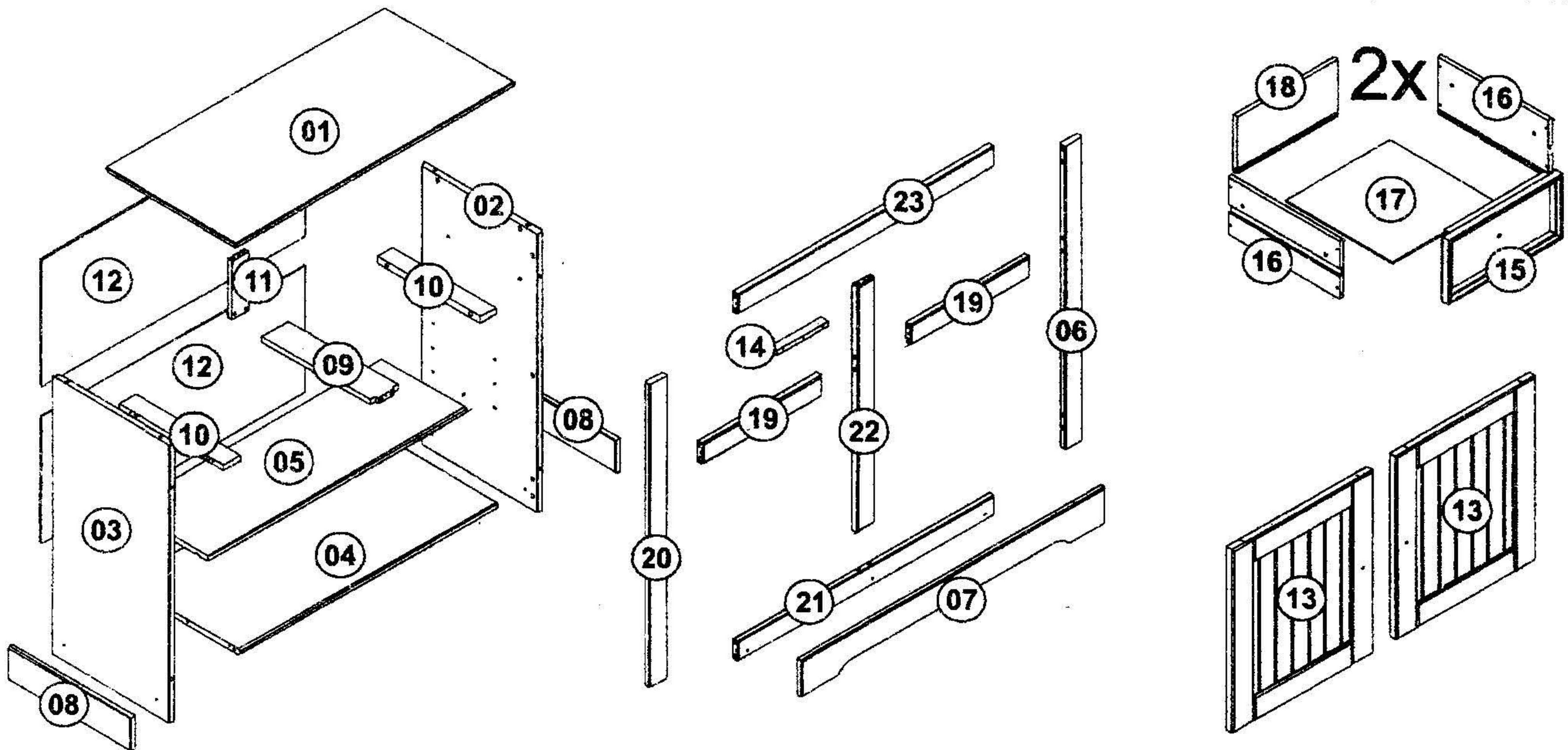



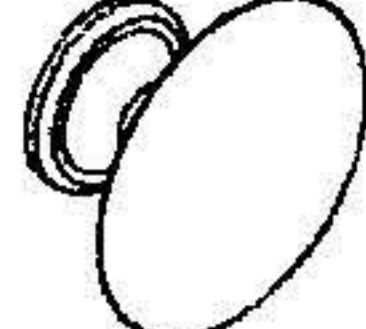
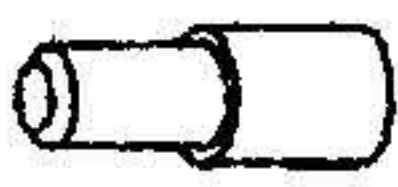



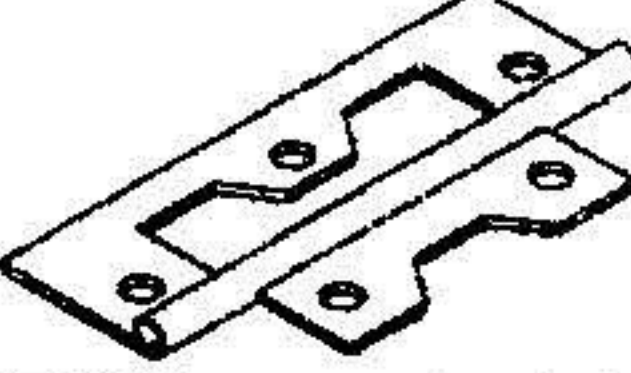
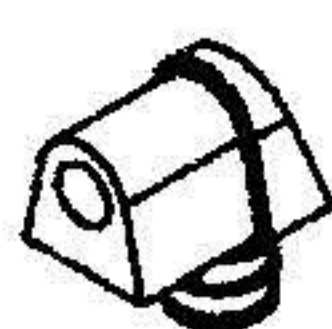
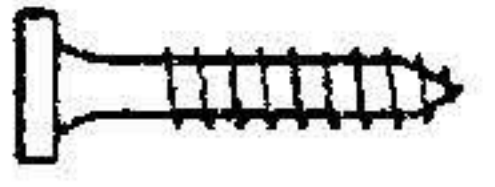


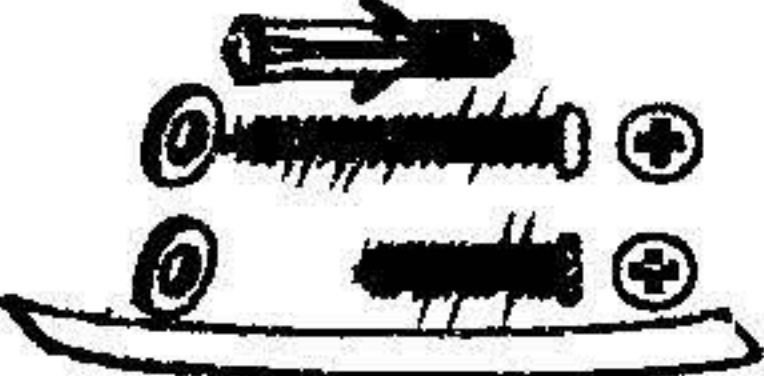

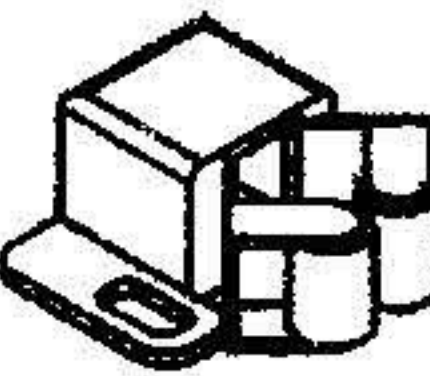

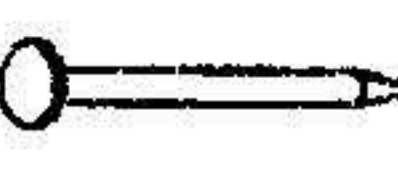
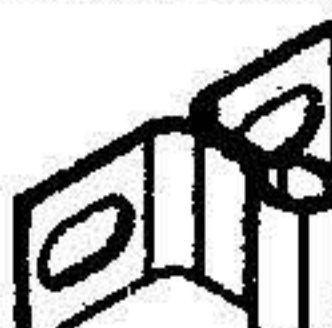

# MERCERS ANTIQUE 2 DOOR SIDEBOARD



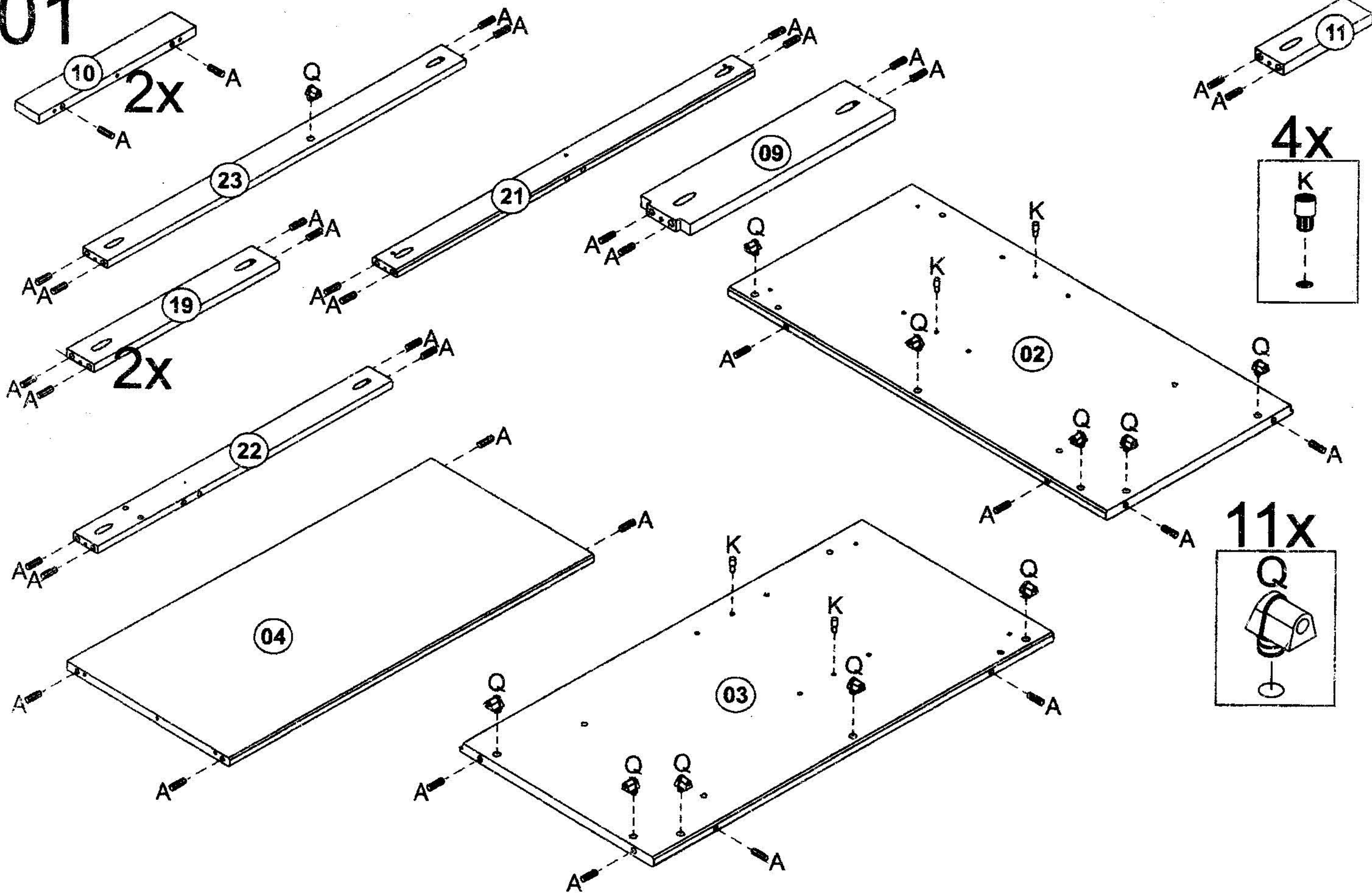
Width = 86,4cm  
Depth = 40cm  
Height = 75,9cm


- Please check that all fittings are correct before assembling the item.
- Replacement parts can be supplied for any damages to the item.
- Please keep all packaging until the item is assembled as we will require information from this if replacement parts are required.

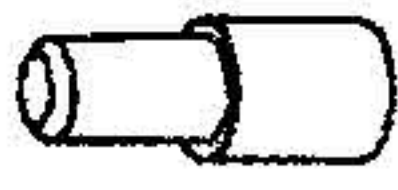


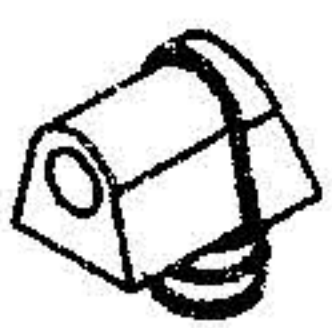
A	 8,0 x 25 mm 42 x	F	 04 x	K	 04 x	P	 01 x
B	 3,5 x 30 mm 28 x	G	 04 x	L	 04 x	Q	 11 x
C	 4,0 x 25 mm 11 x	H	 01 x	M	 3,0 x 14 mm 34 x	Y	 01 x
D	 8,0 x 40 mm 04 x	I	 04 x	N	 4,0 x 30 mm 07 x		
E	 8 x 8 35 x	J	 04 x	O	 3,0 x 30 mm 16 x		

01

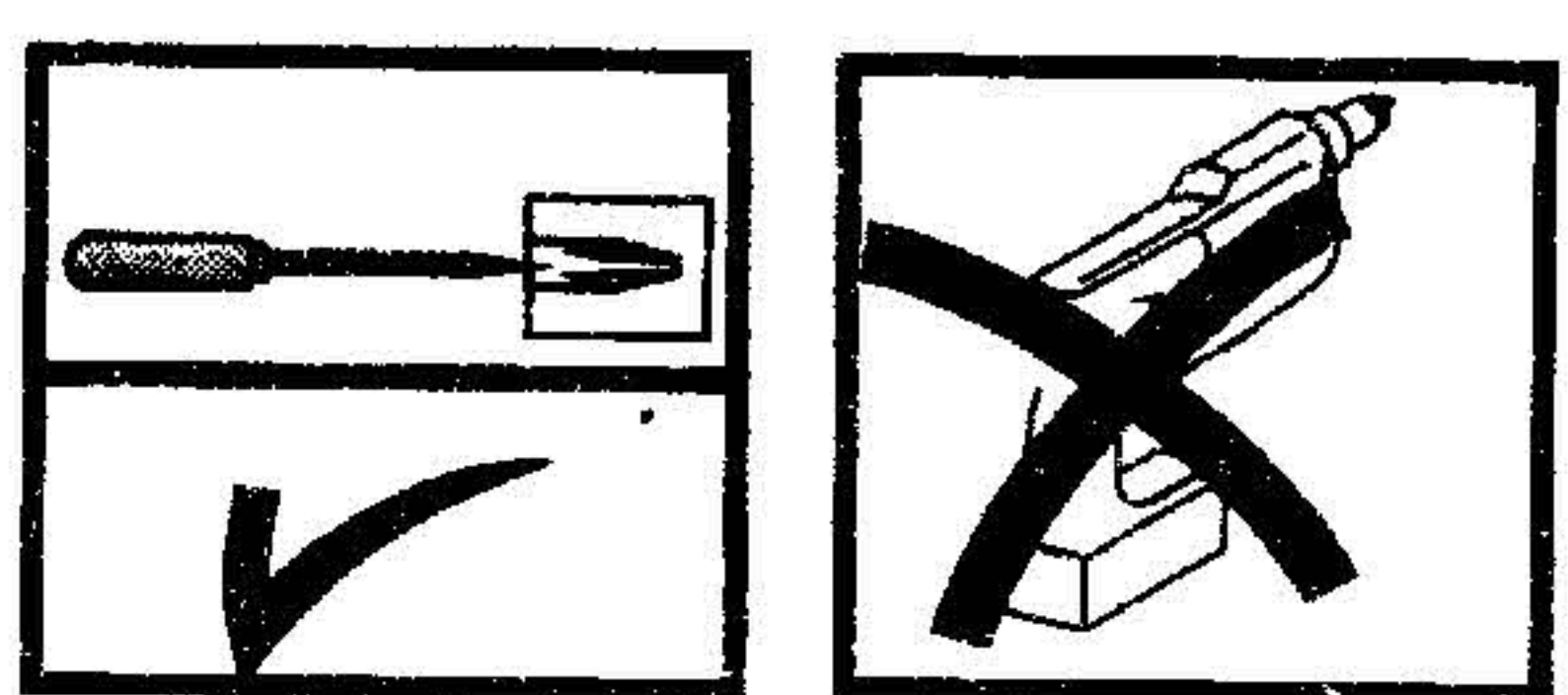


**A**  8,0 x 25 mm **42 x**

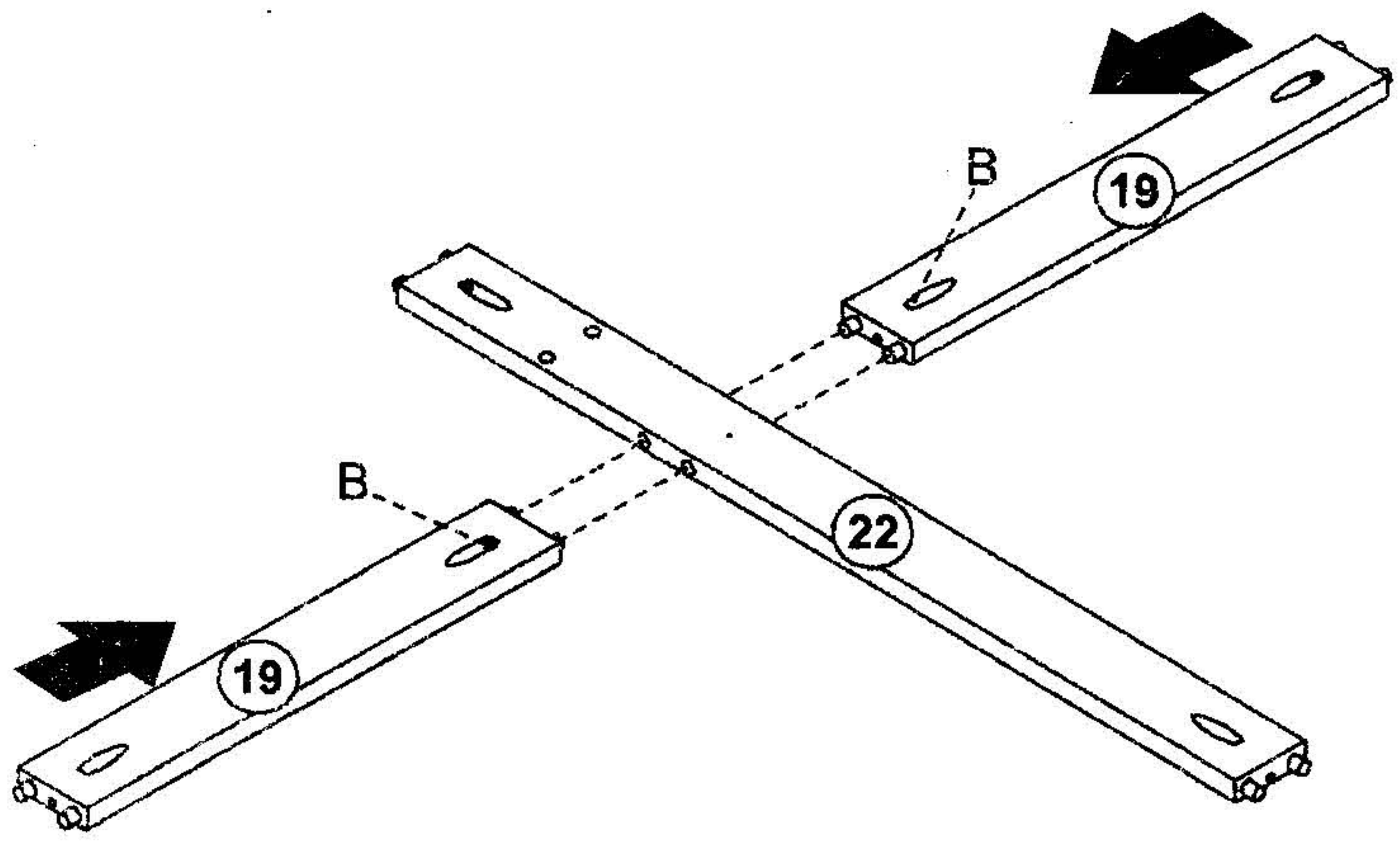
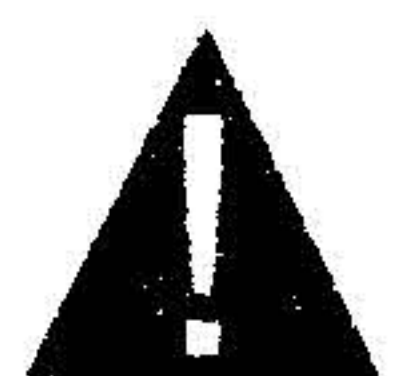
**K**  **04 x**


**Q**  **11 x**

02

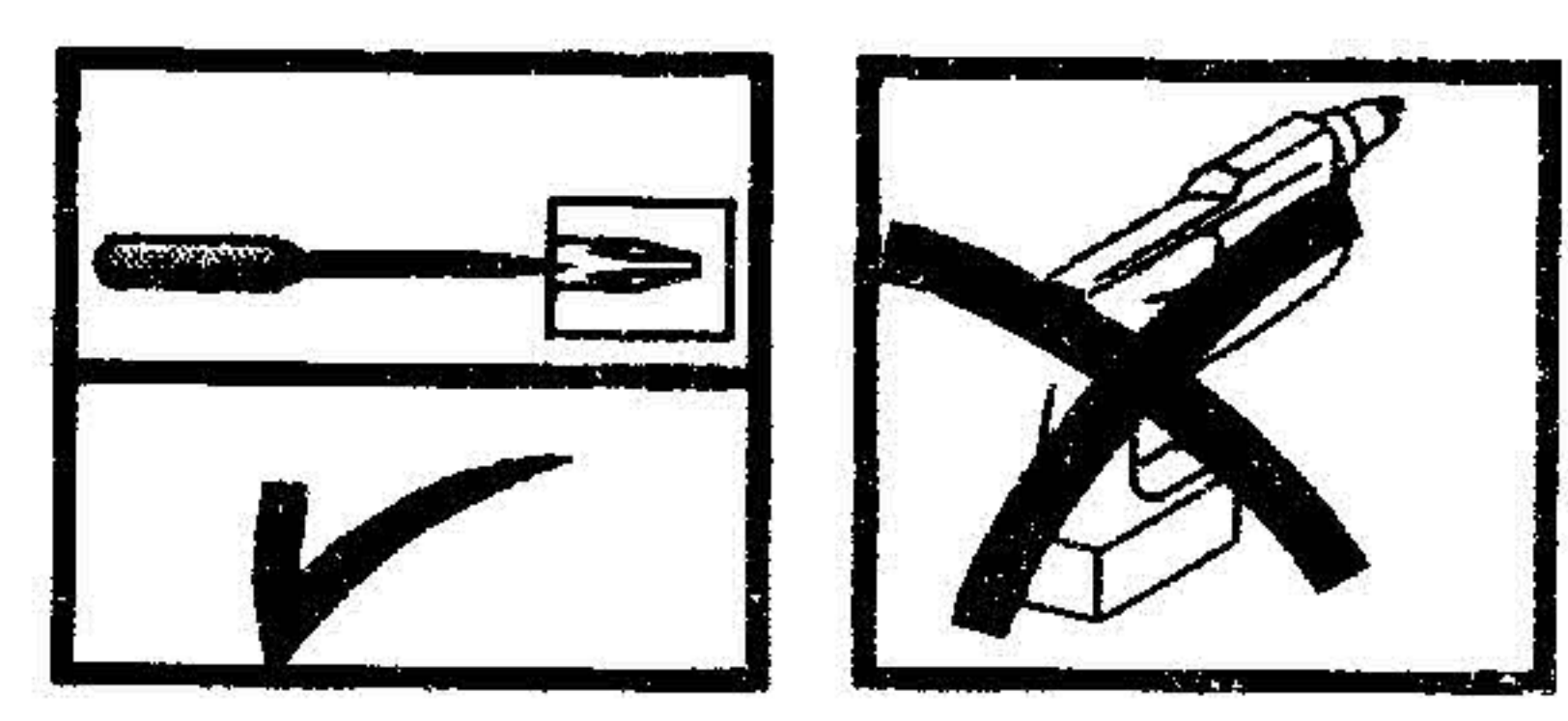


ASSEMBLE ON A PLAIN SURFACE

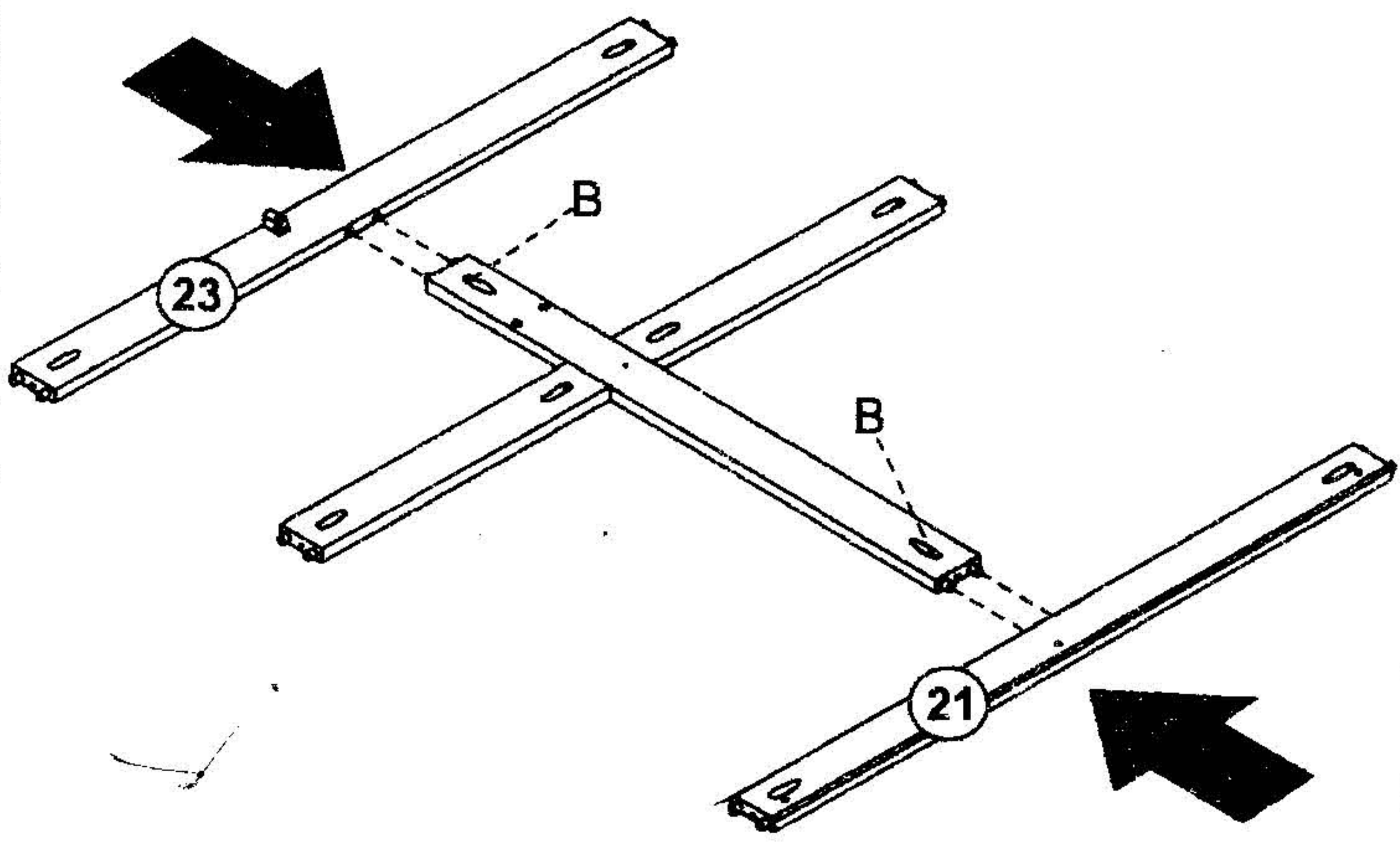
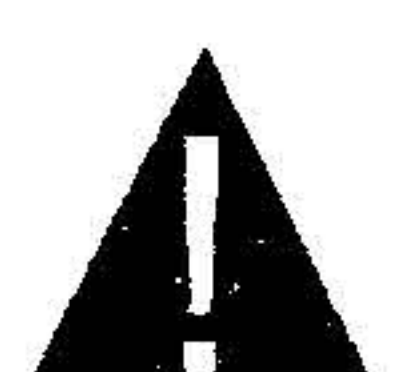



**B**  3,5 x 30 mm **02 x**

03



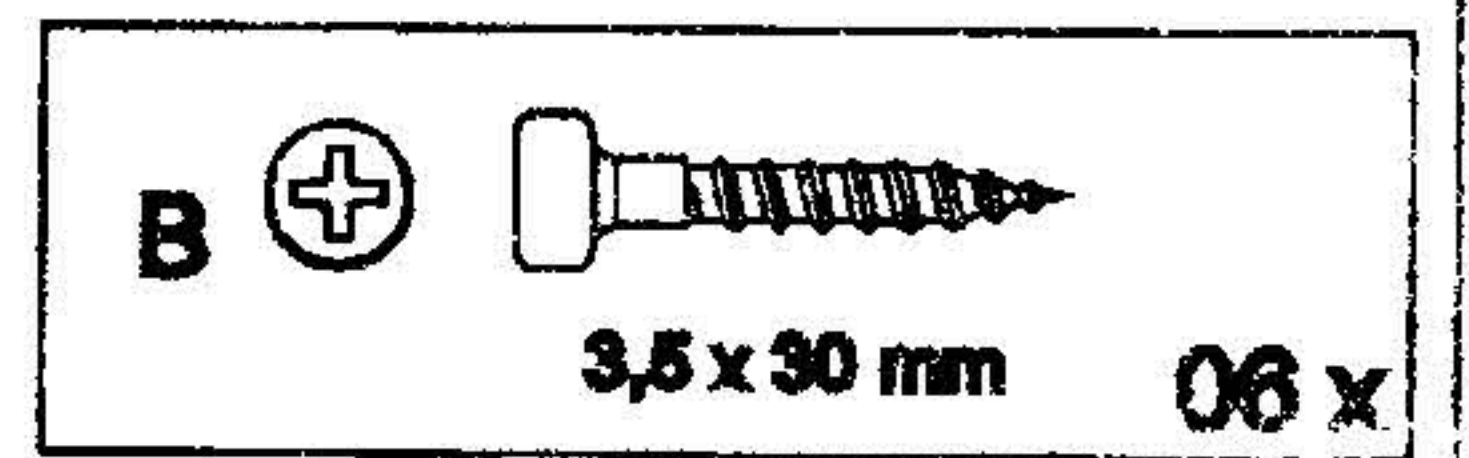
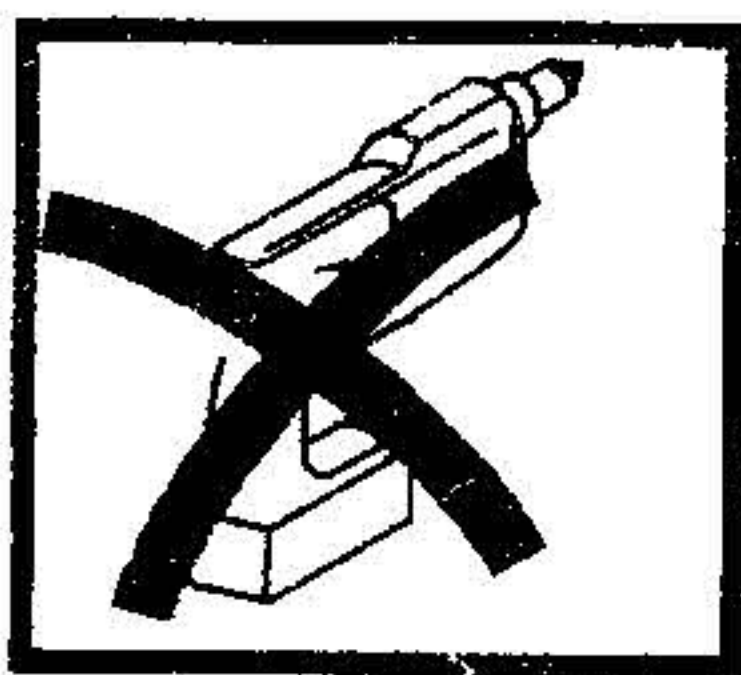
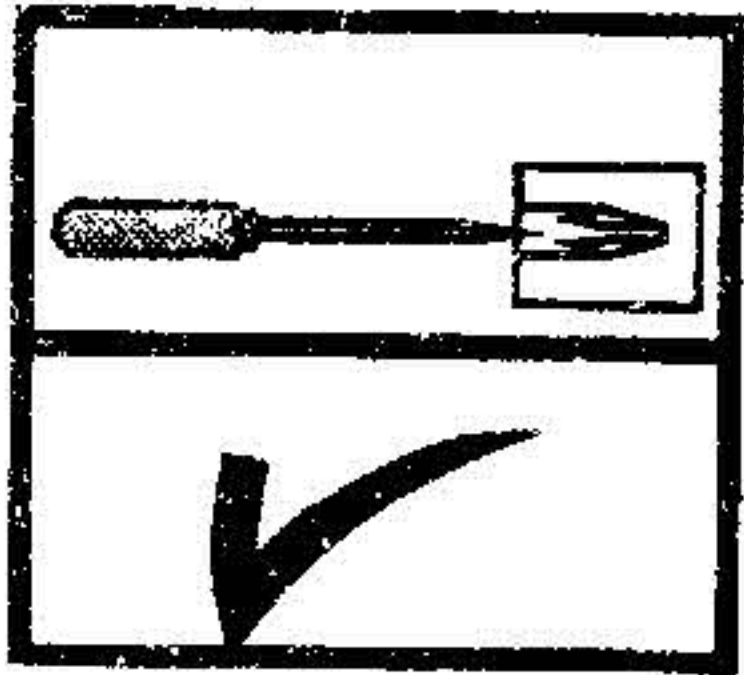
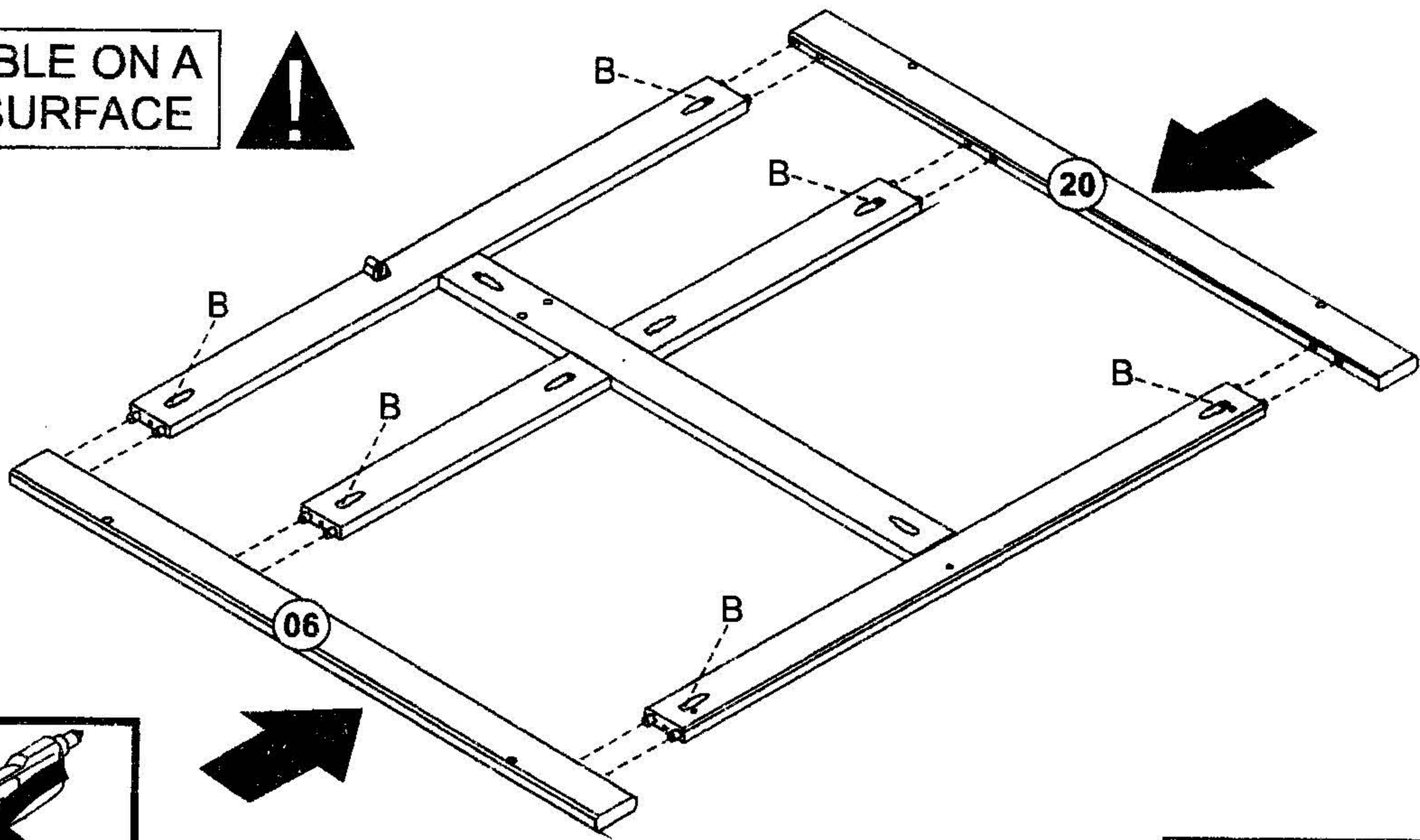
ASSEMBLE ON A PLAIN SURFACE



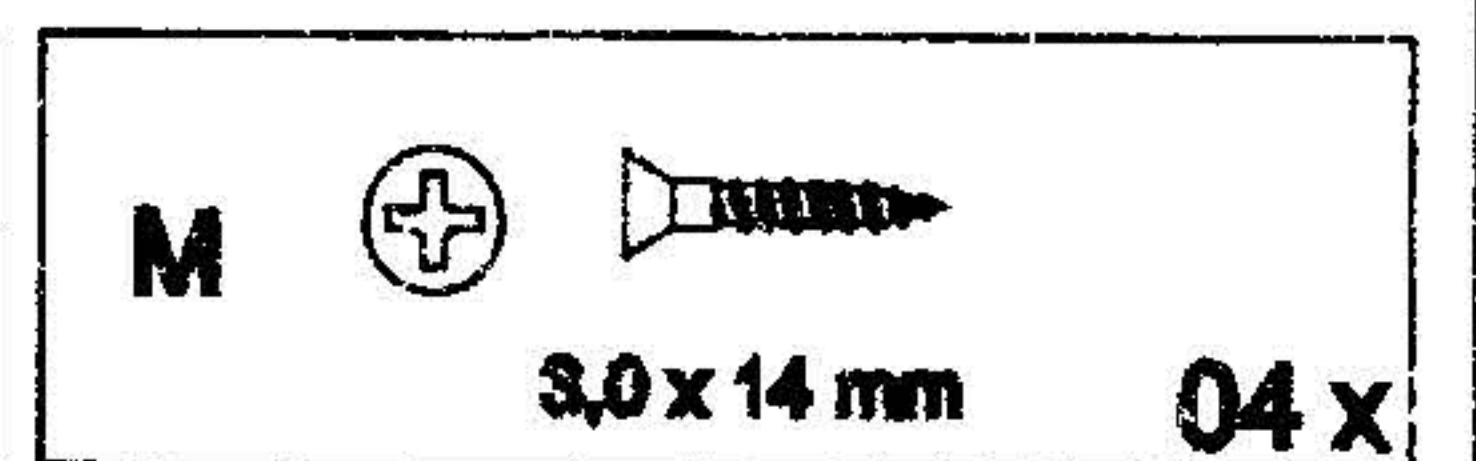
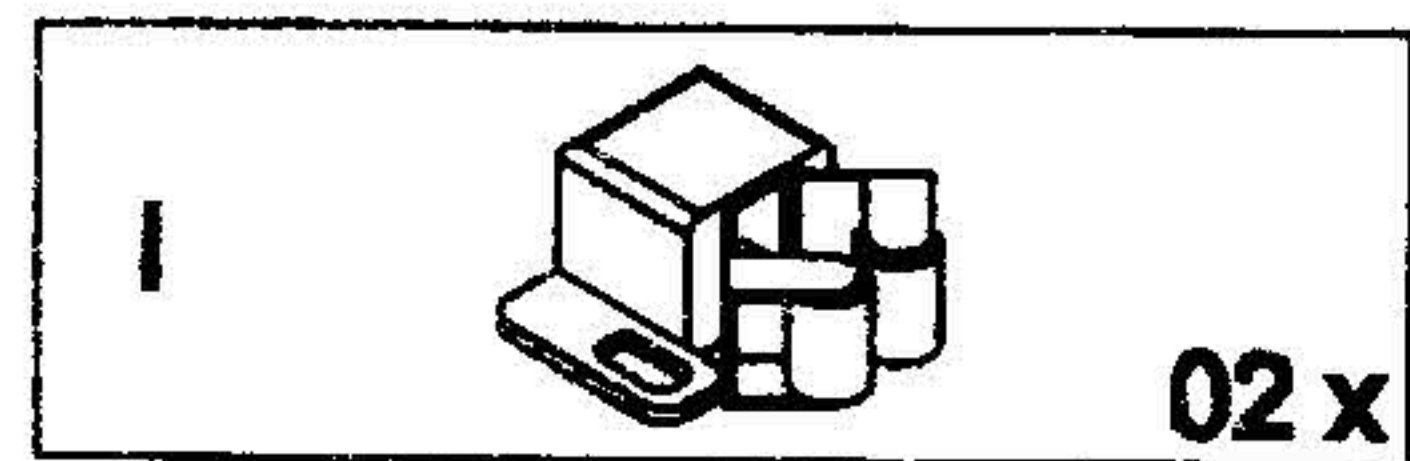
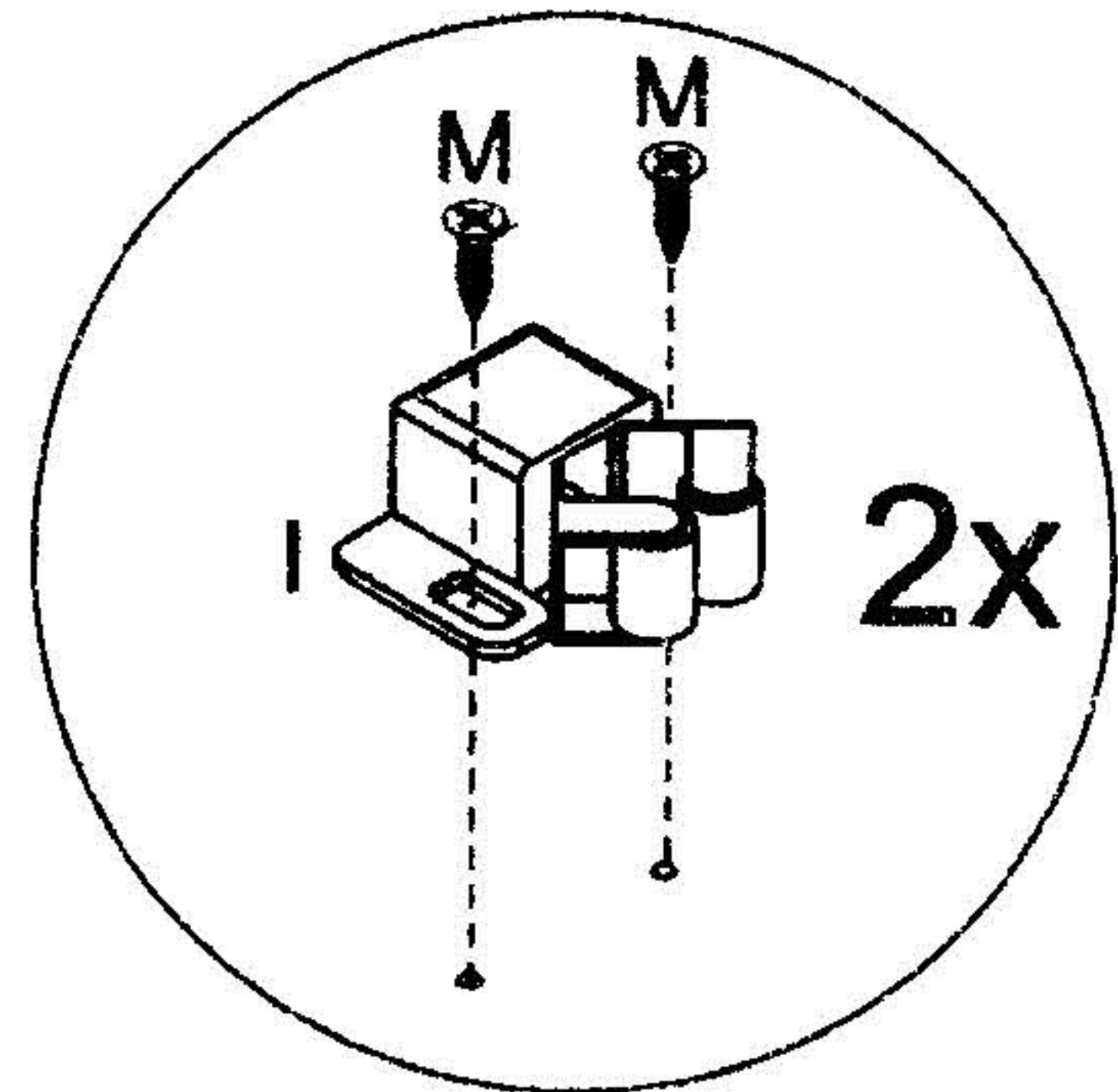
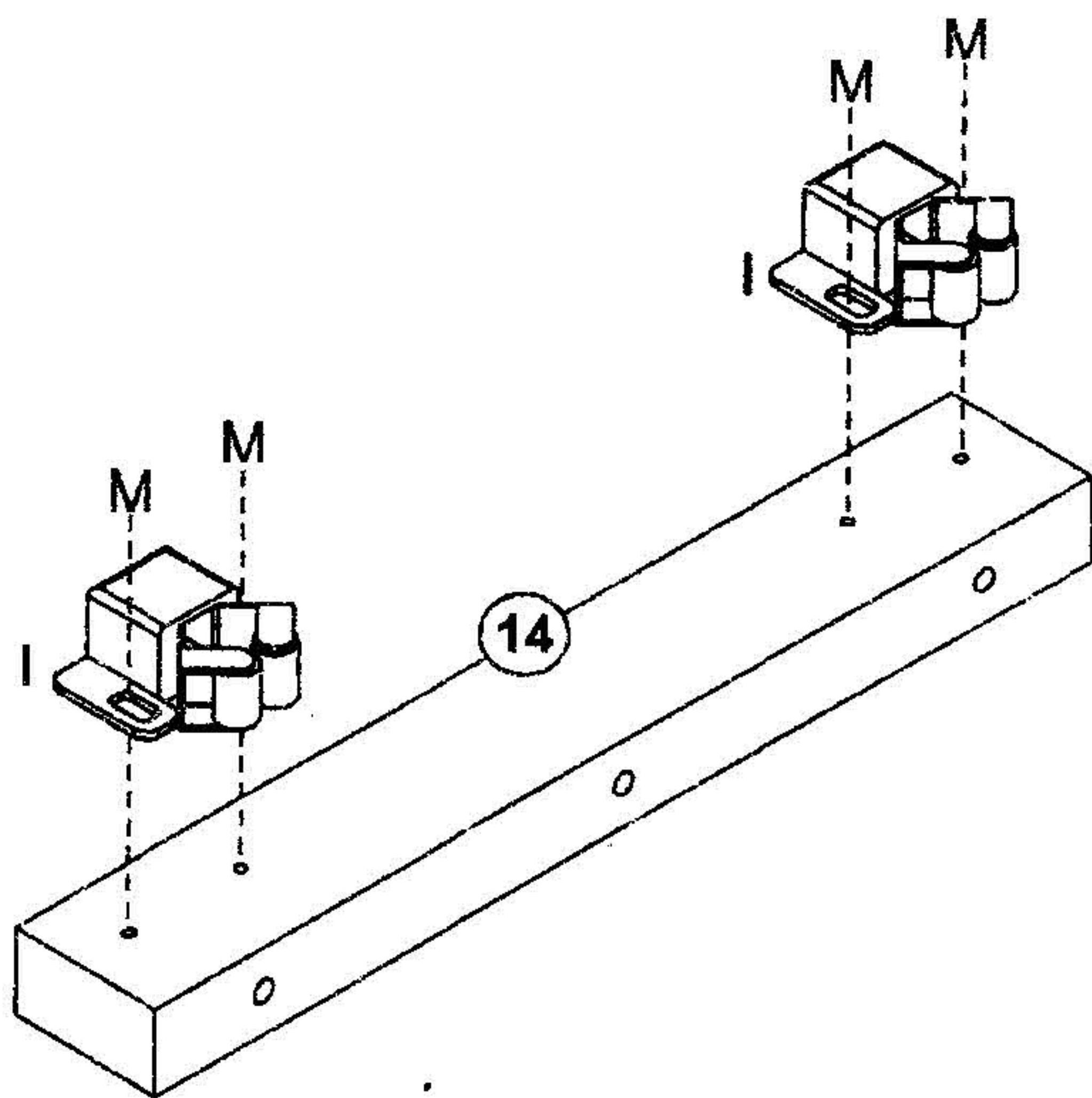
**B**  3,5 x 30 mm **02 x**

04

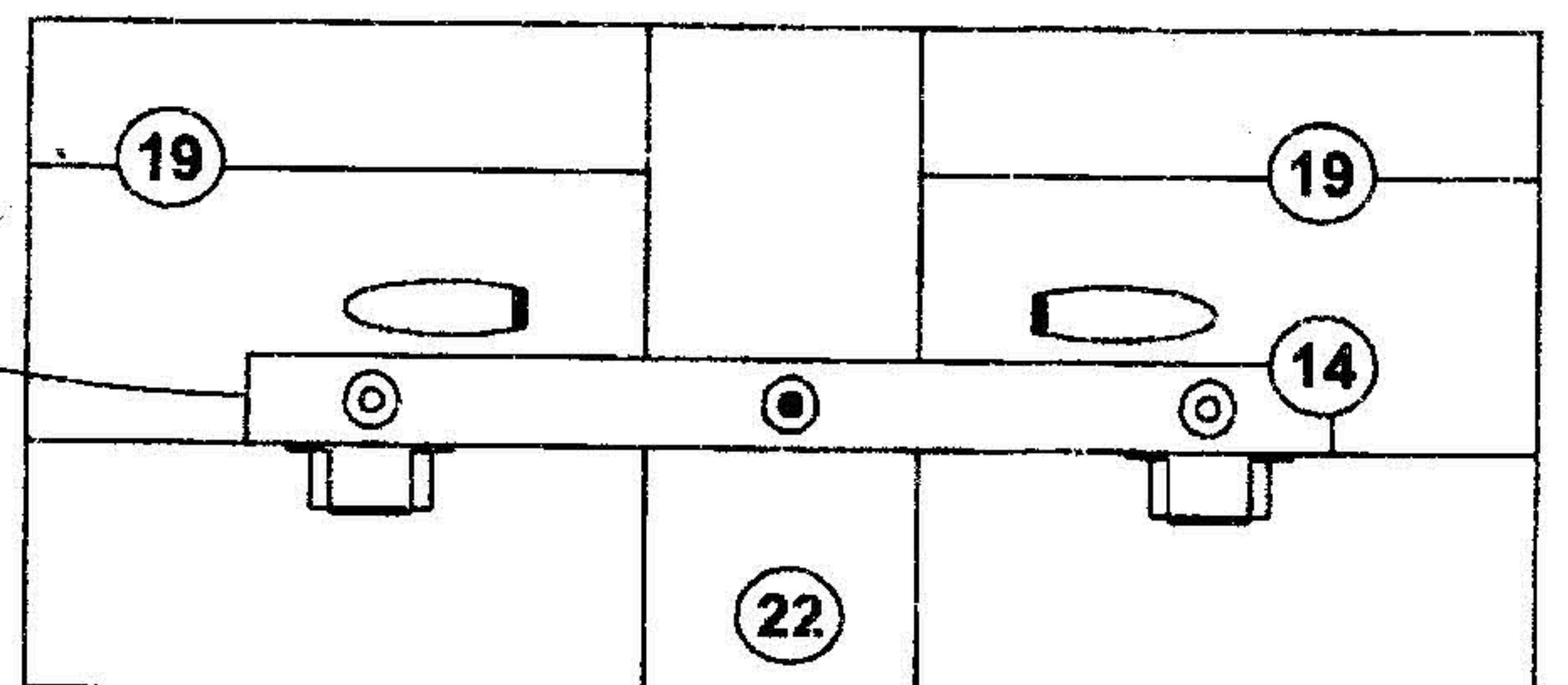
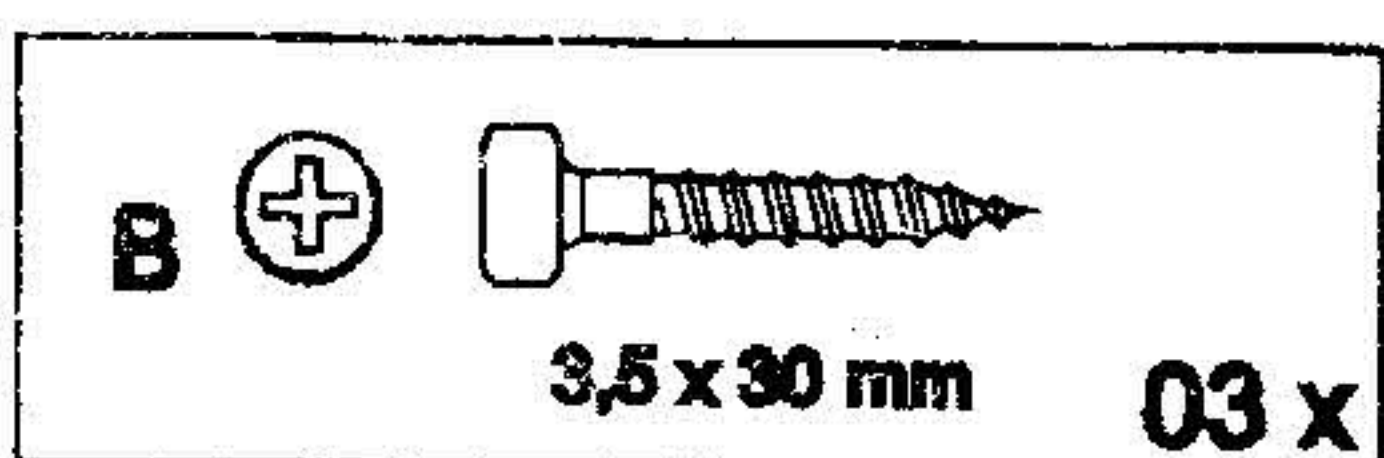
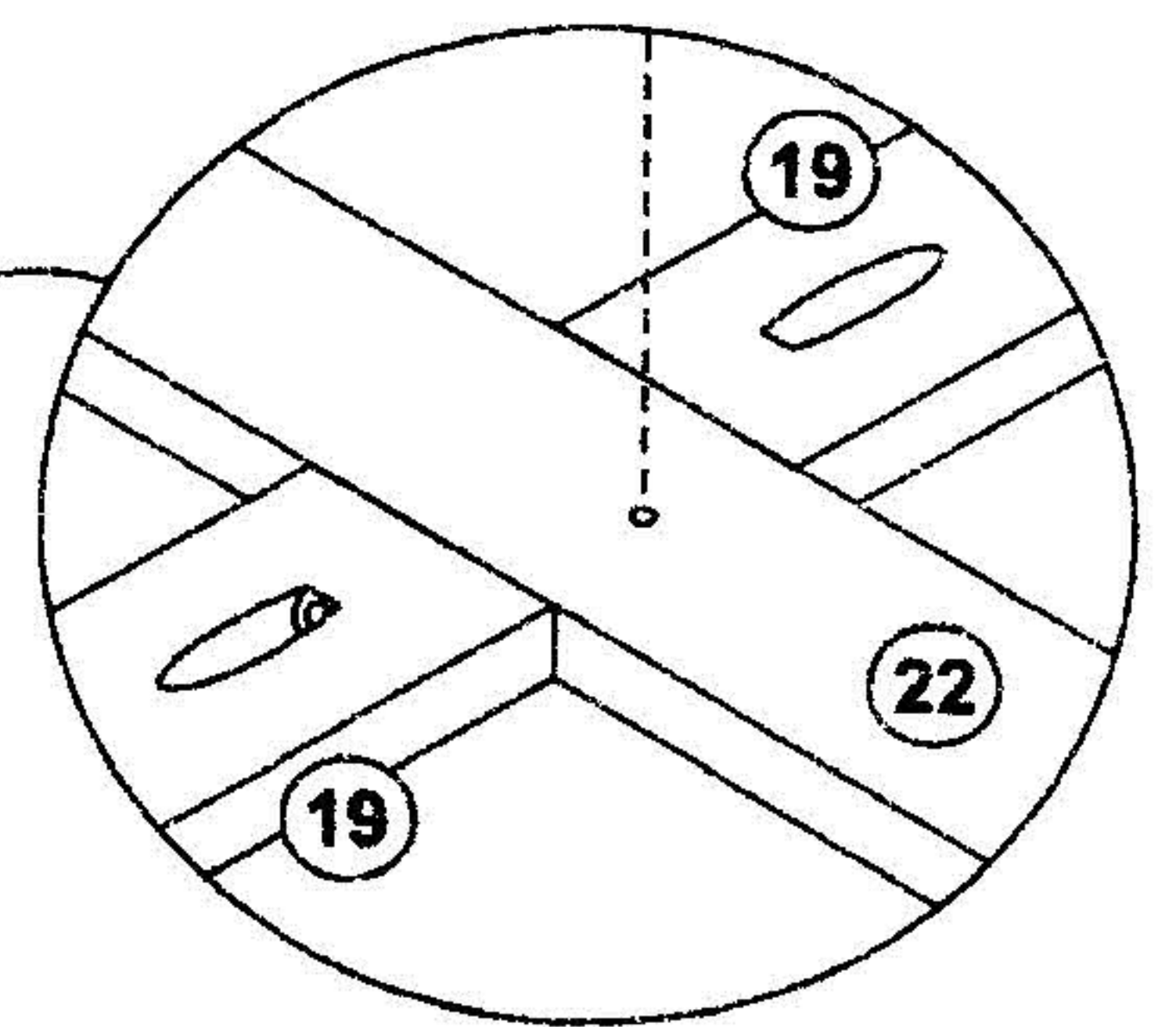
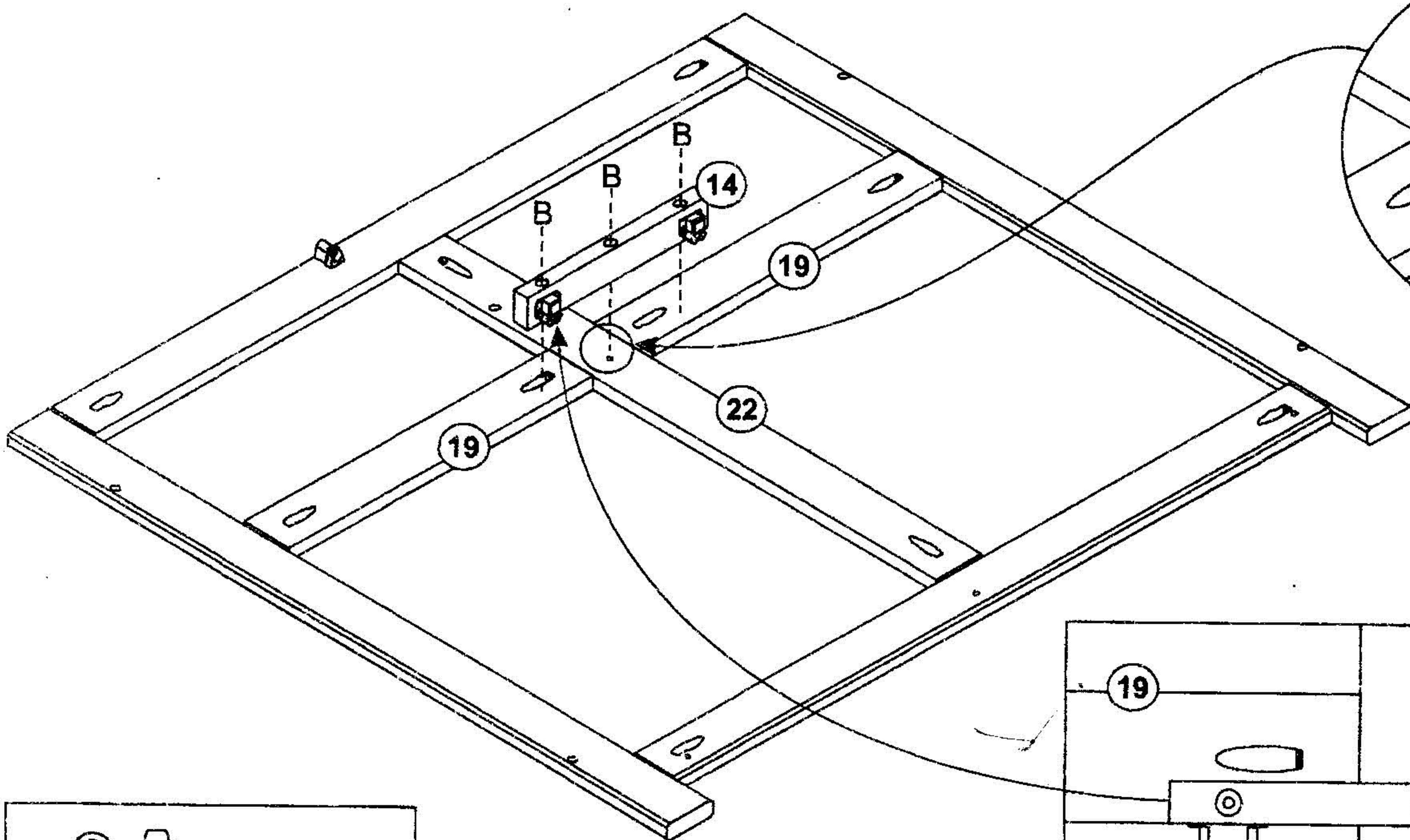
ASSEMBLE ON A PLAIN SURFACE



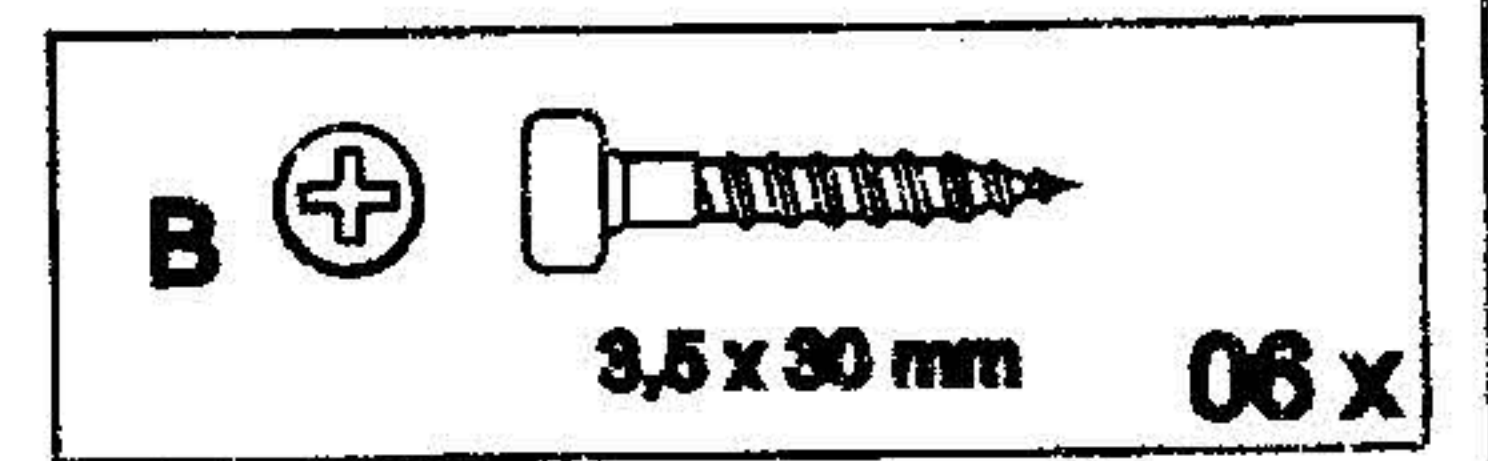
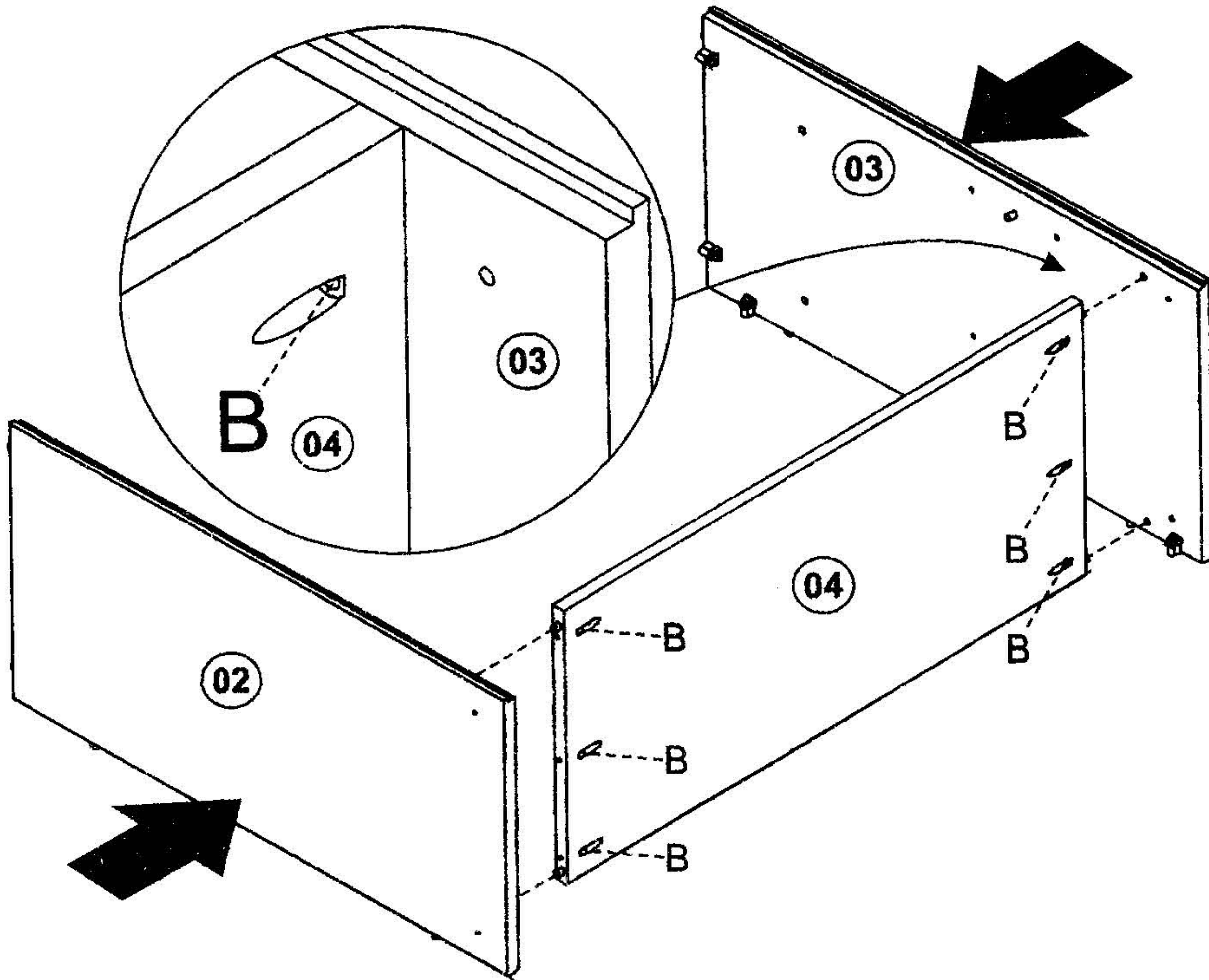
05



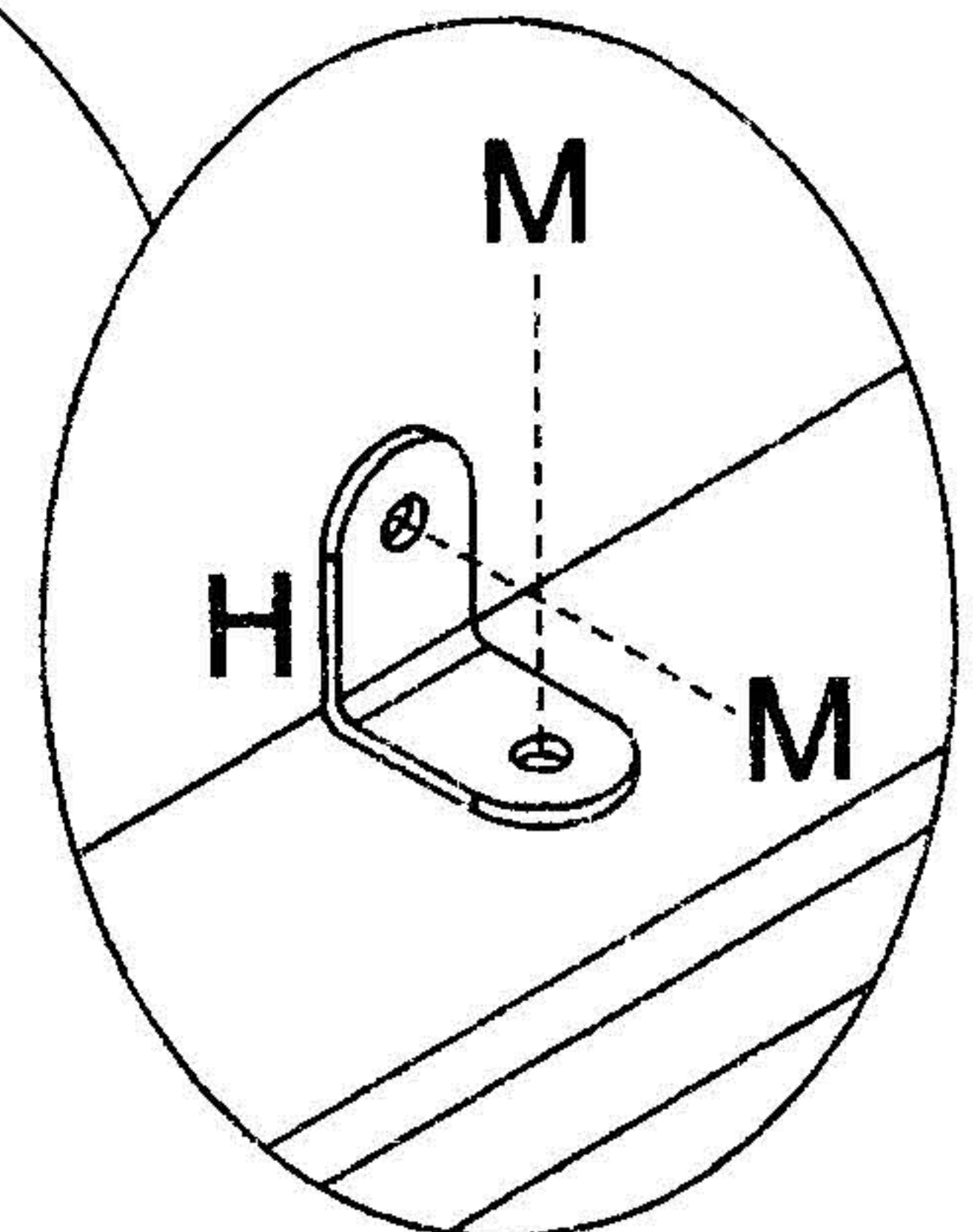
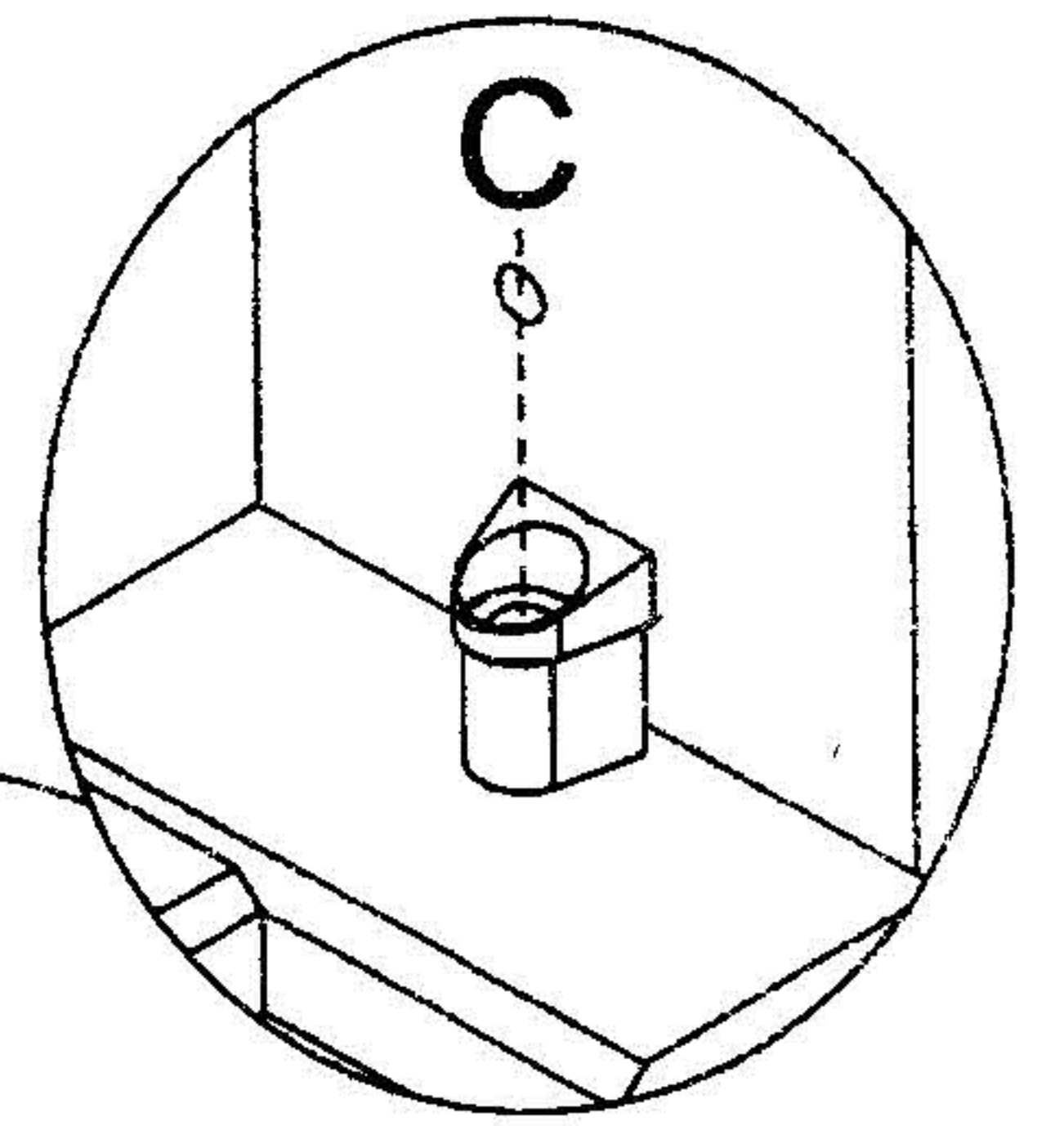
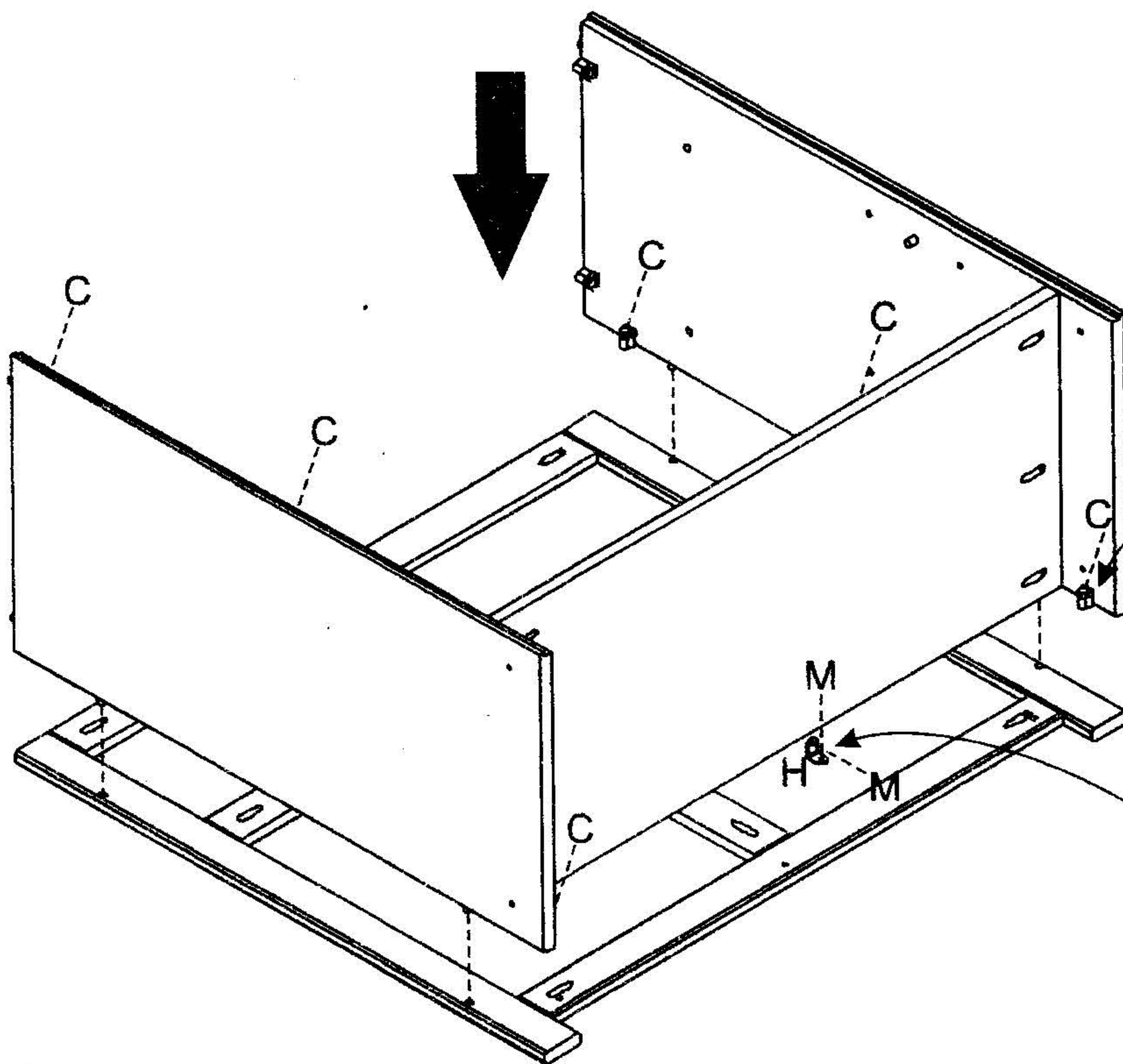
06



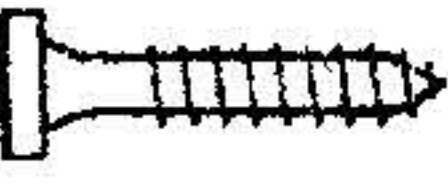


07

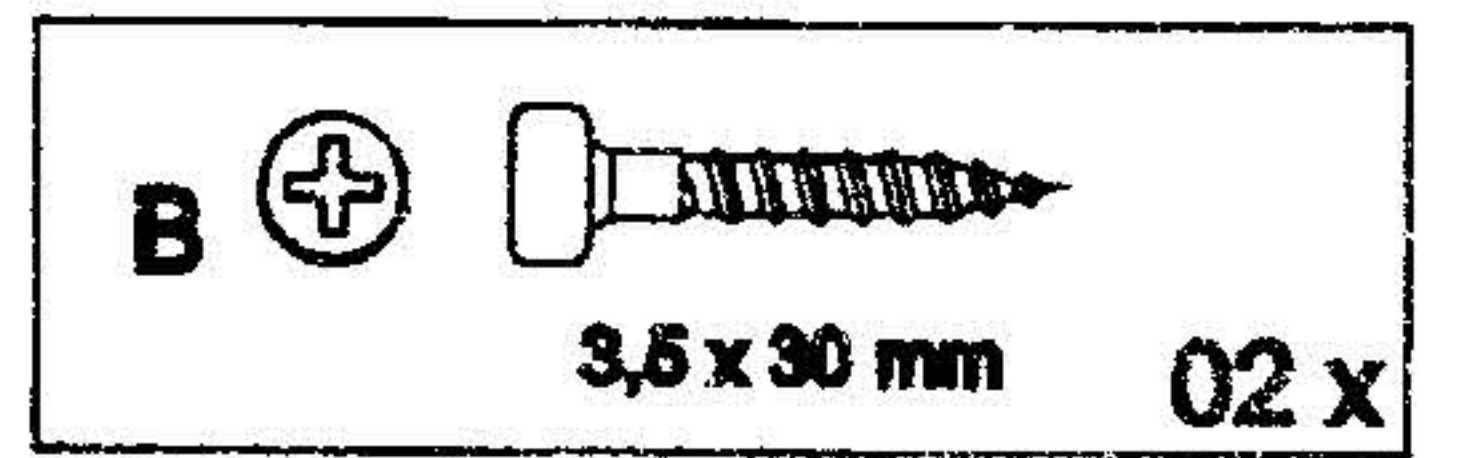
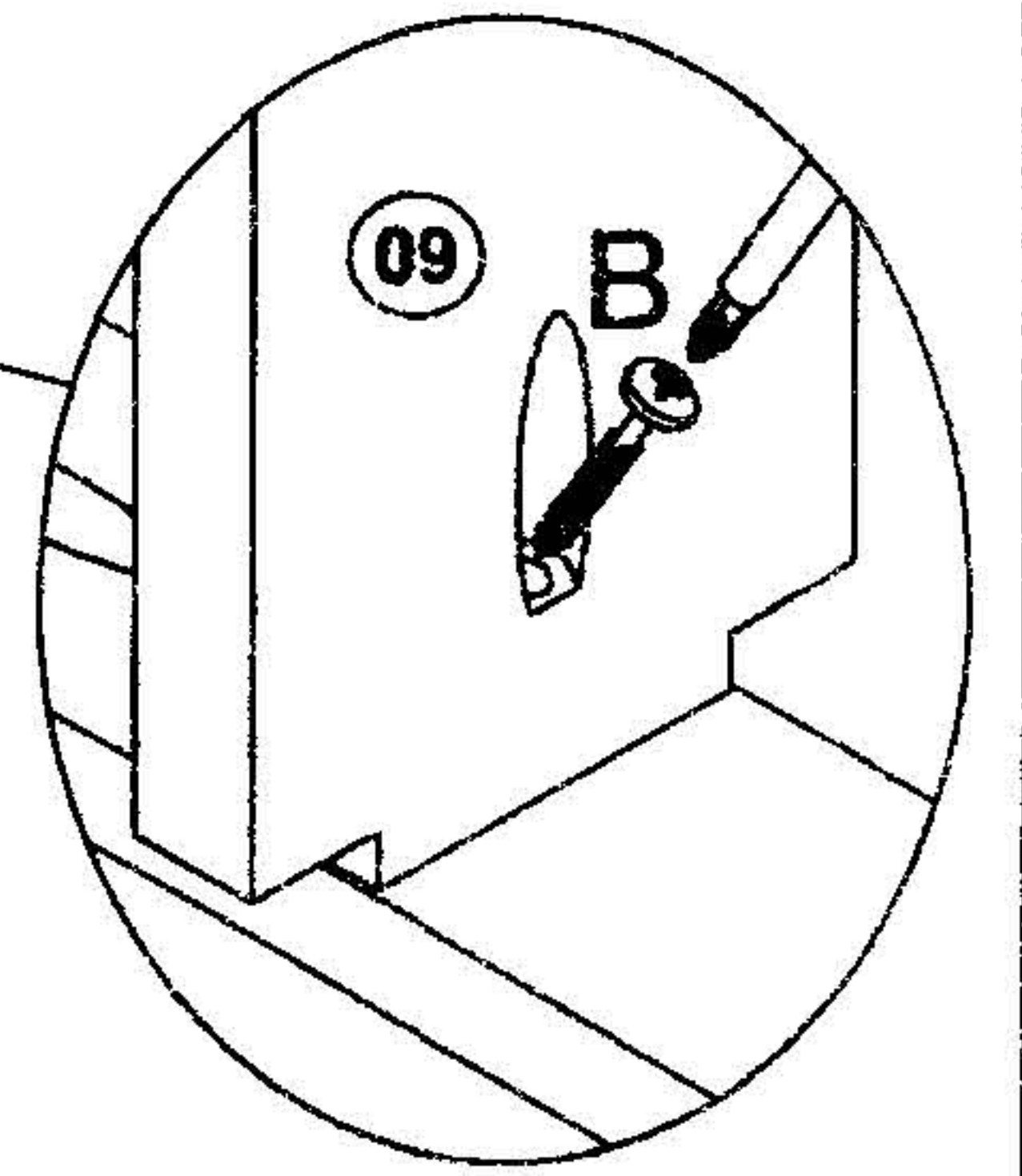
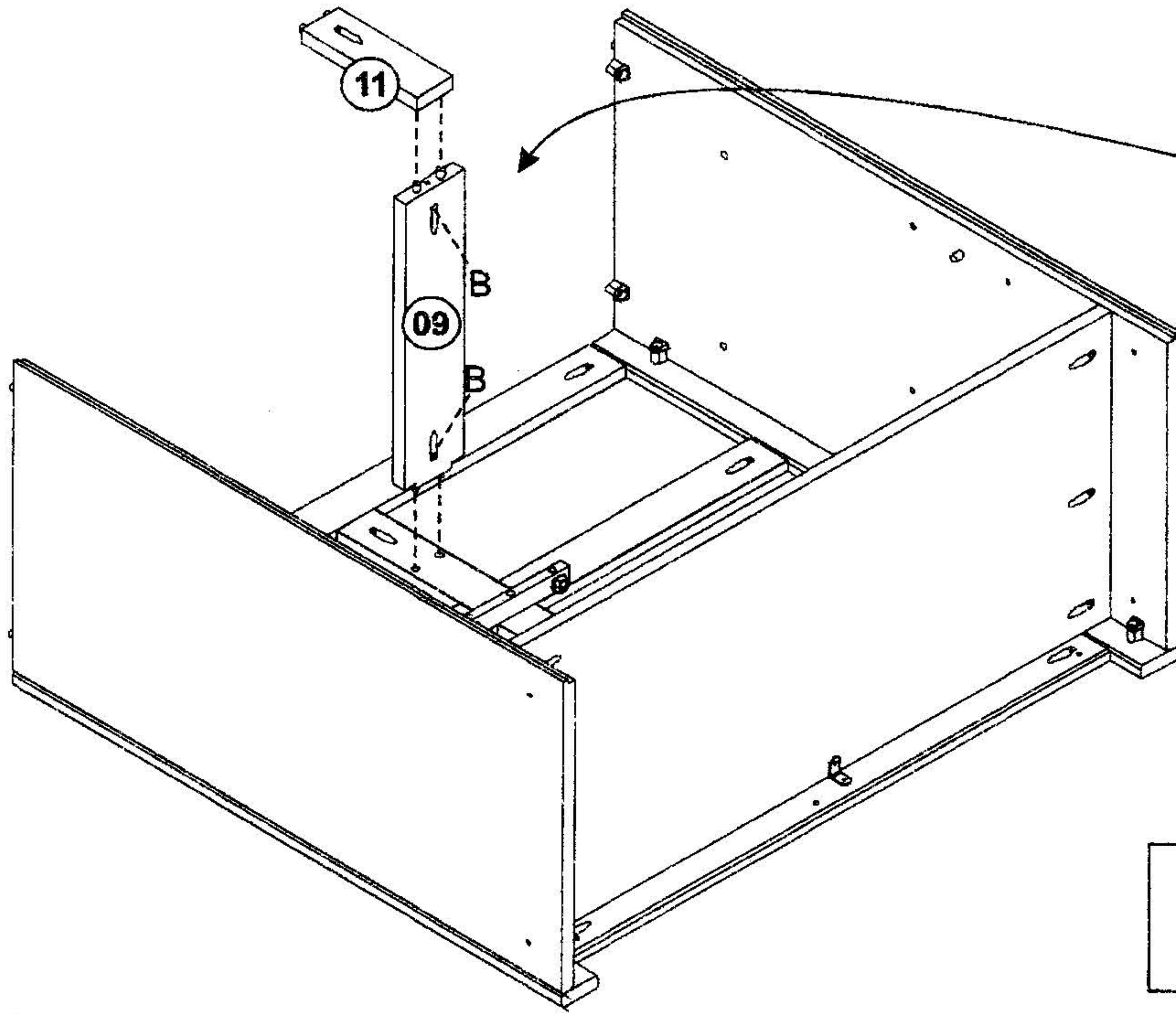


08

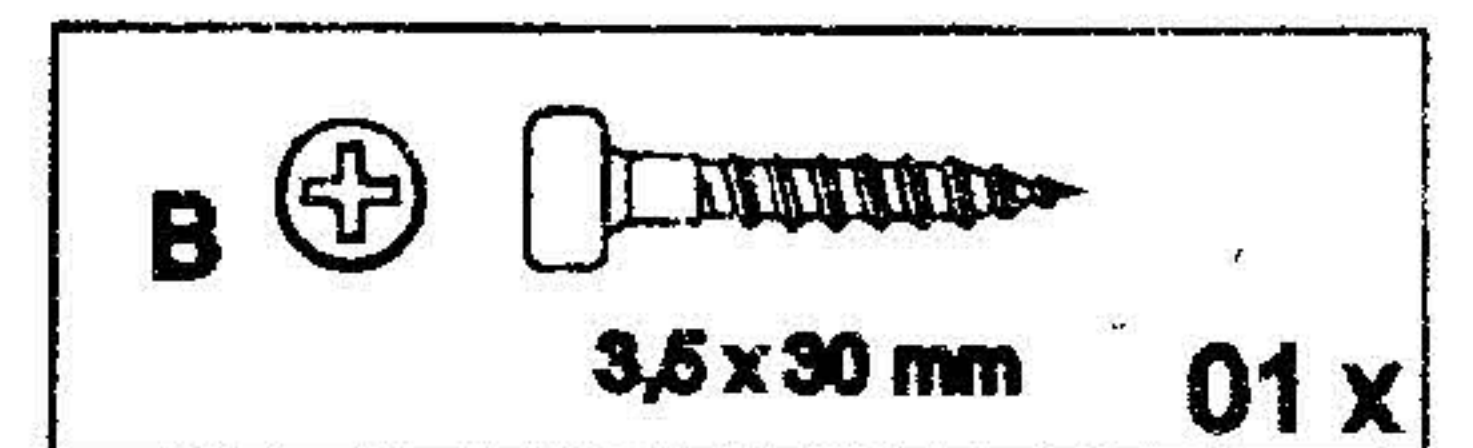
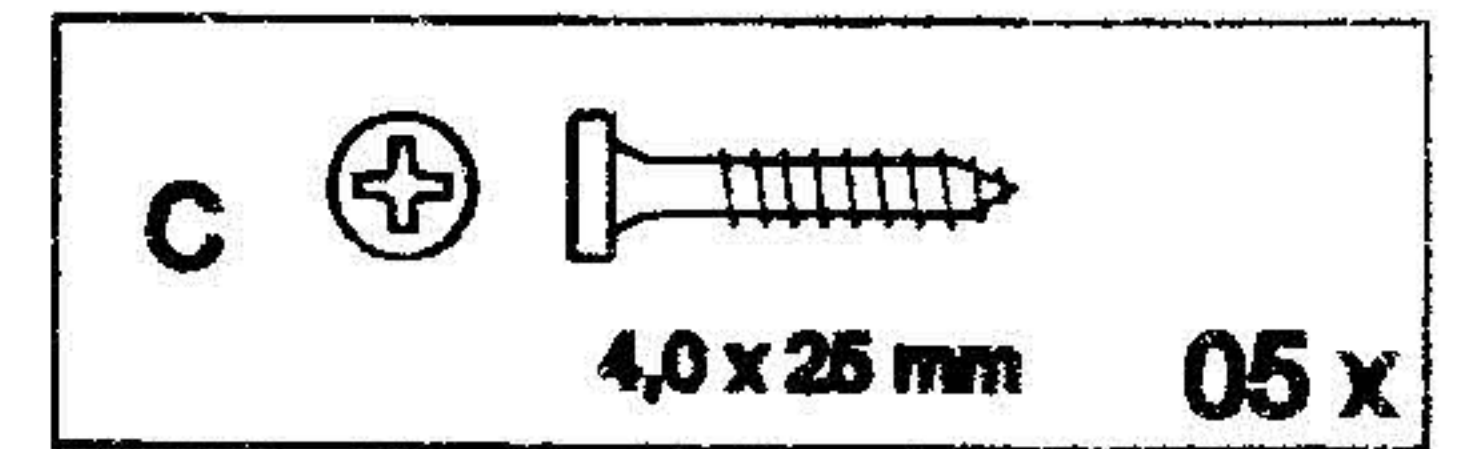
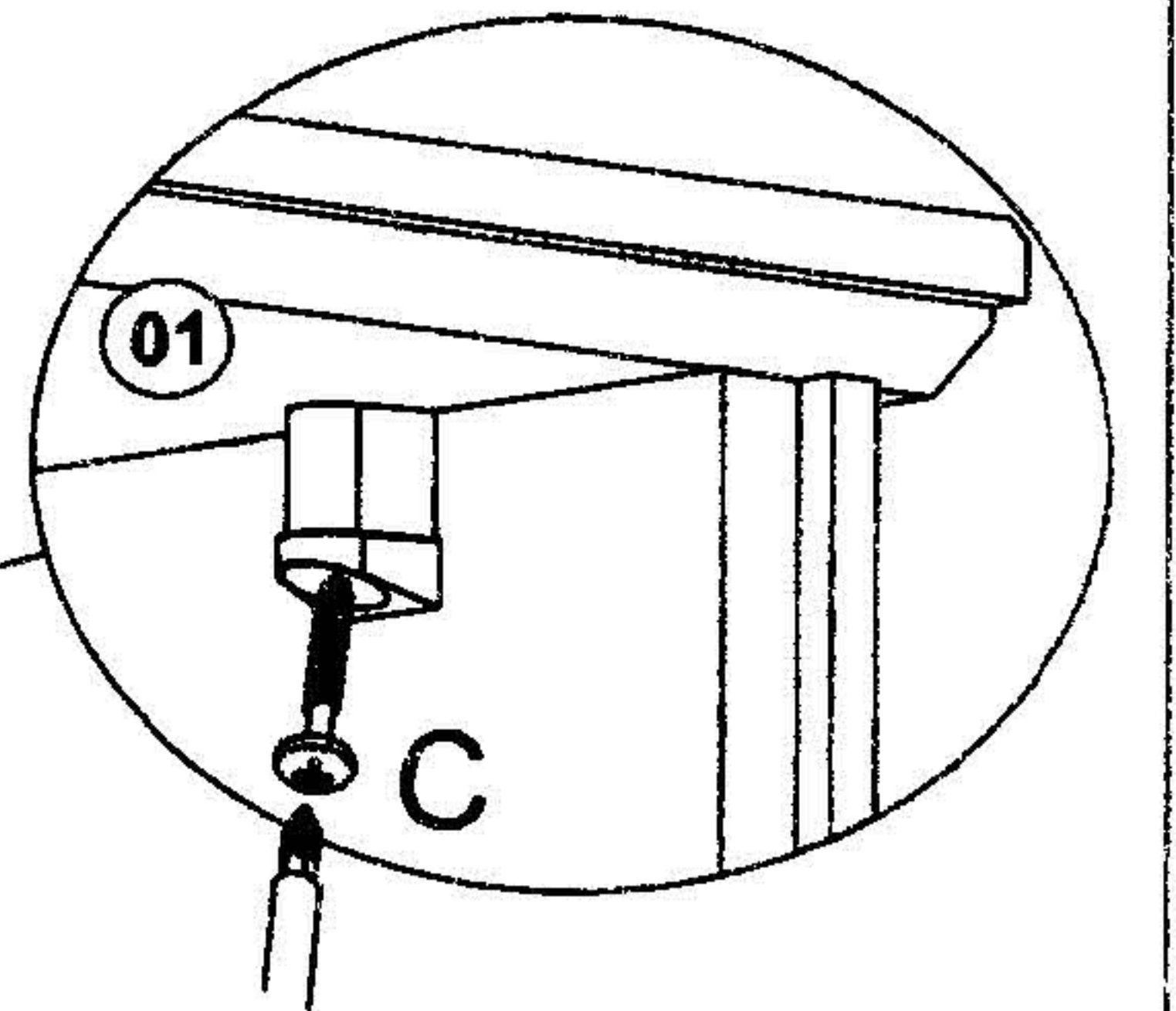
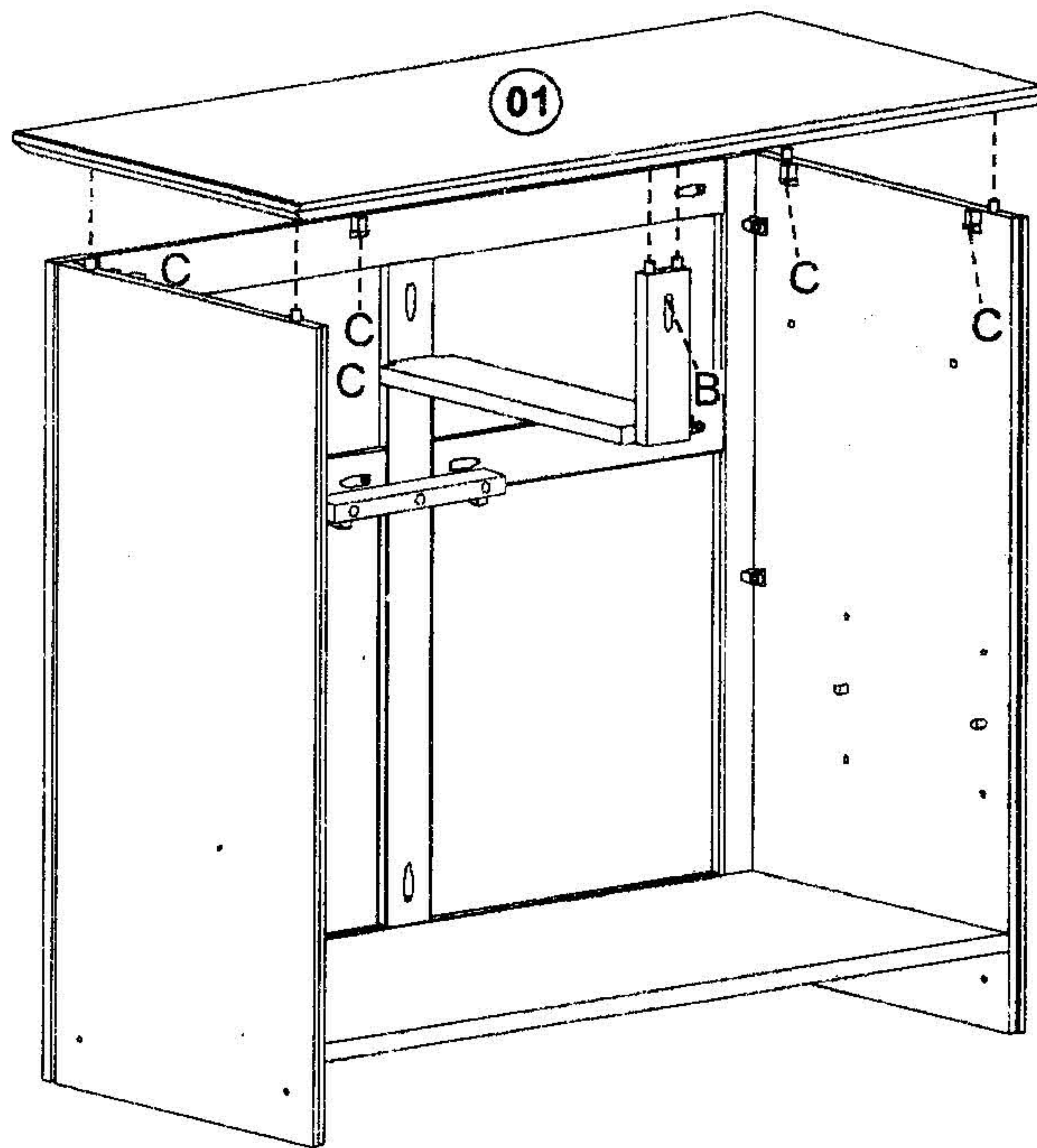


M	+	
3,0 x 14 mm		
02 x		
H		
01 x		
C	+	
4,0 x 25 mm		
06 x		

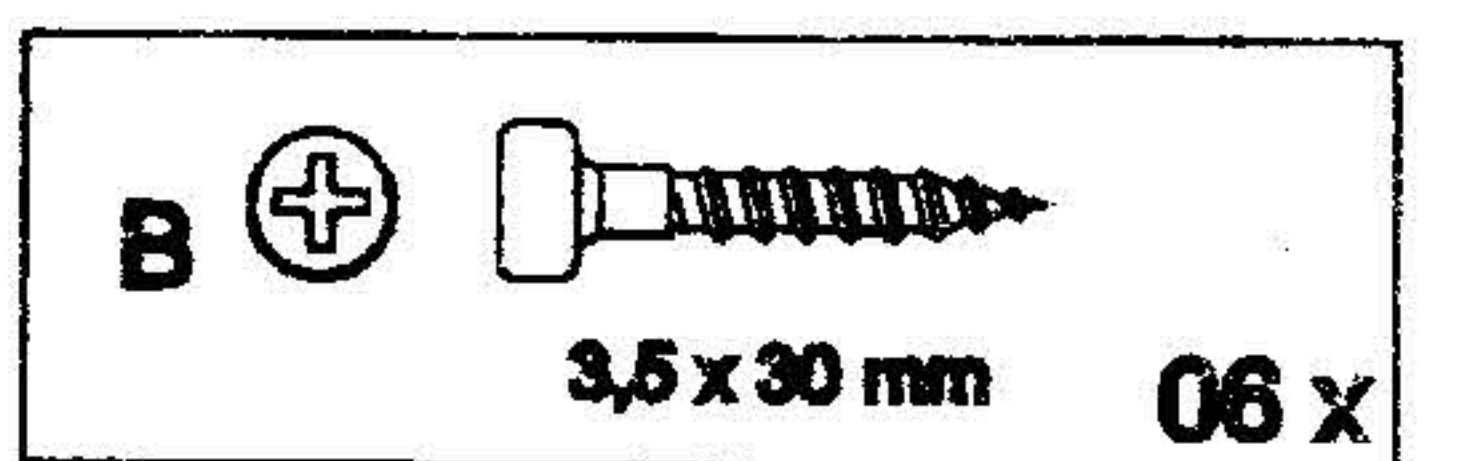
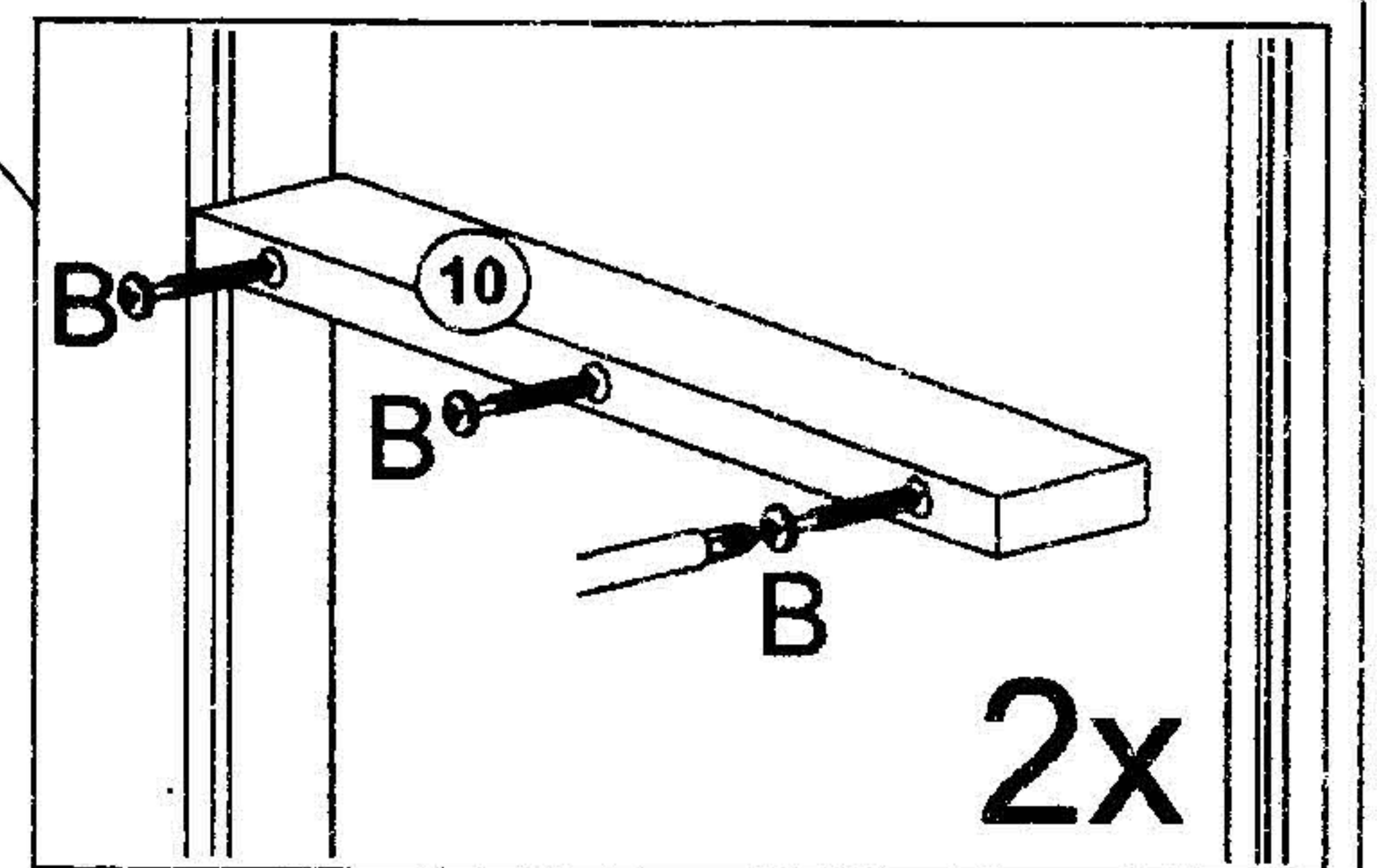
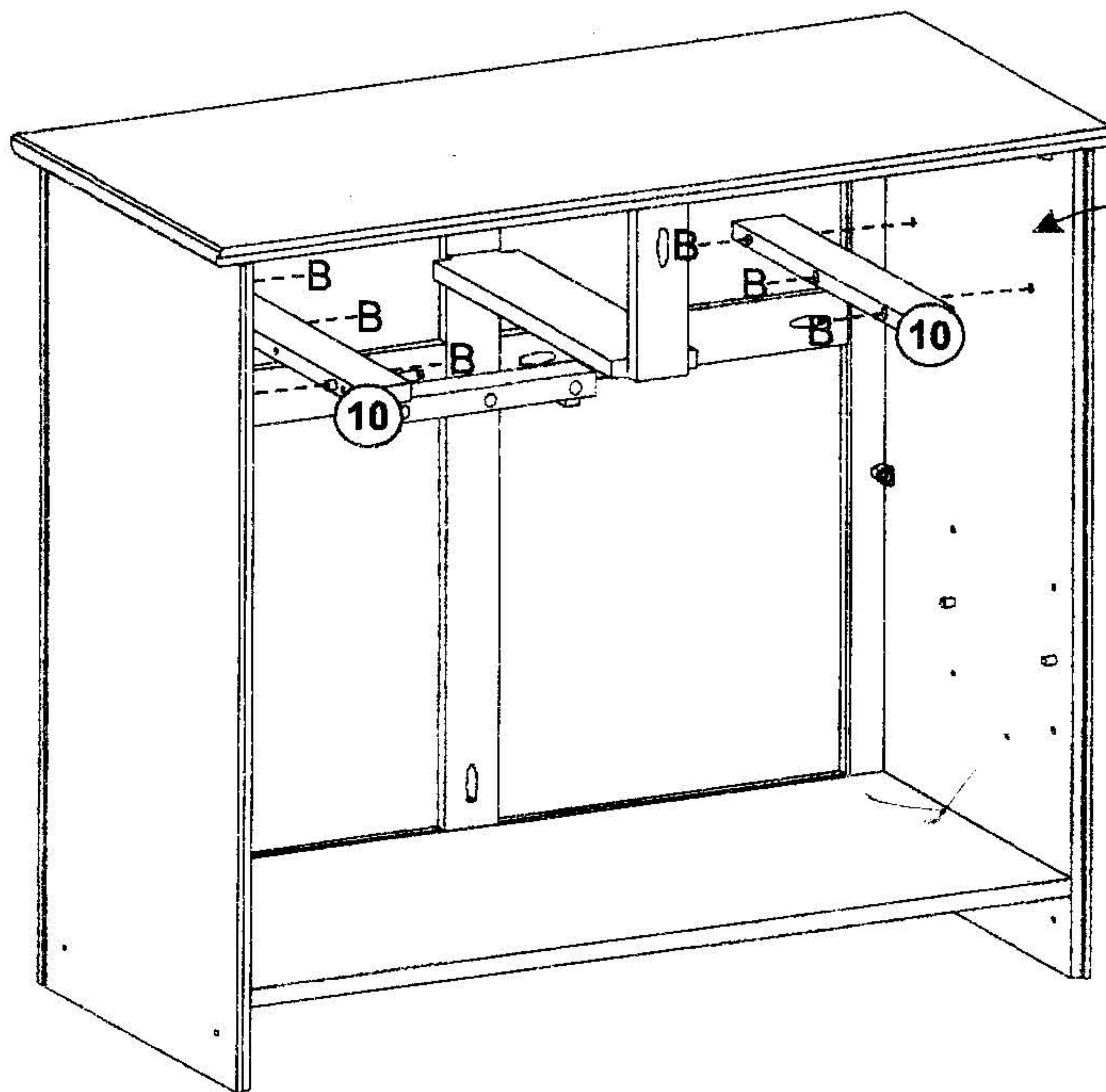
09



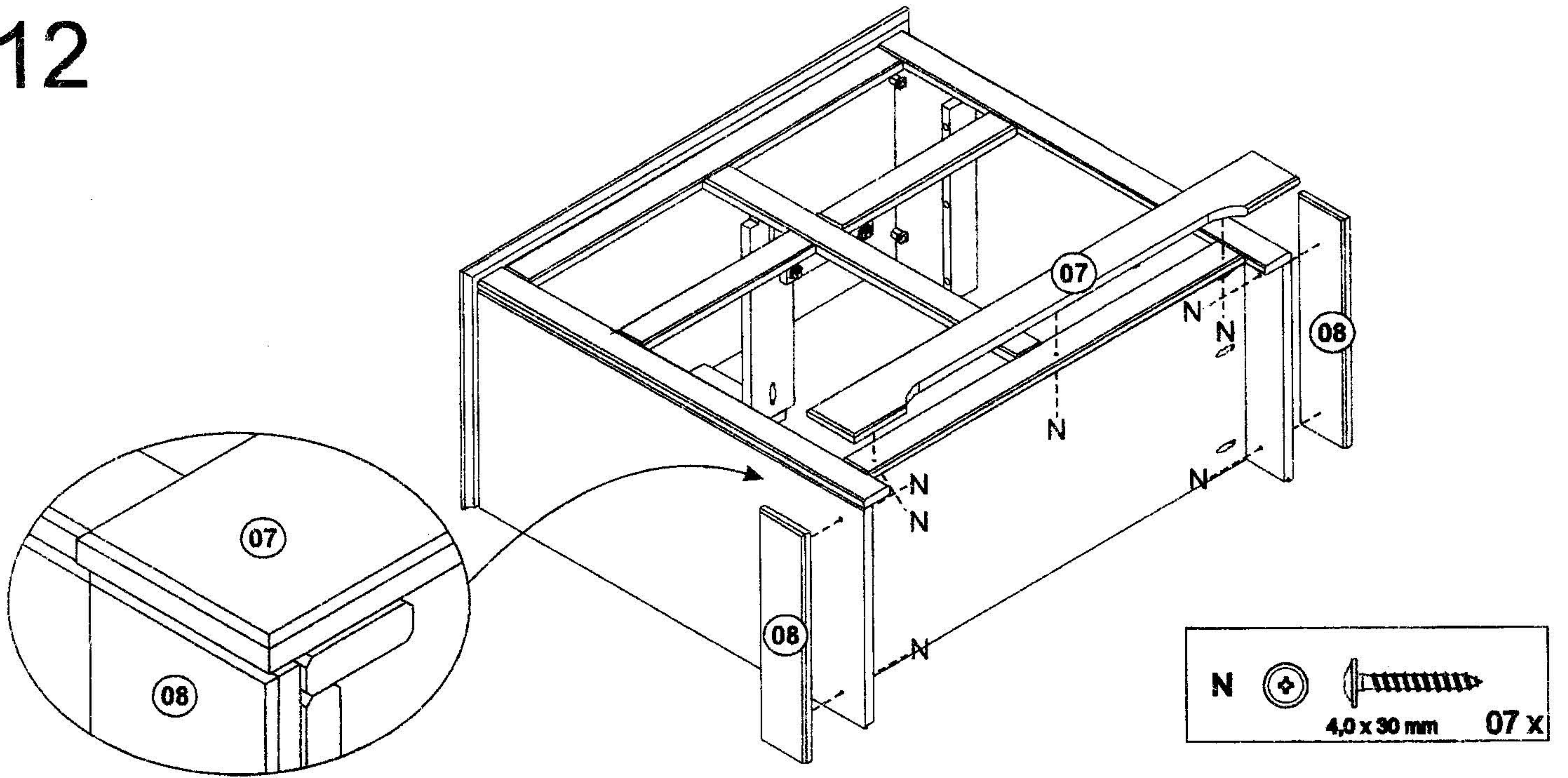
10



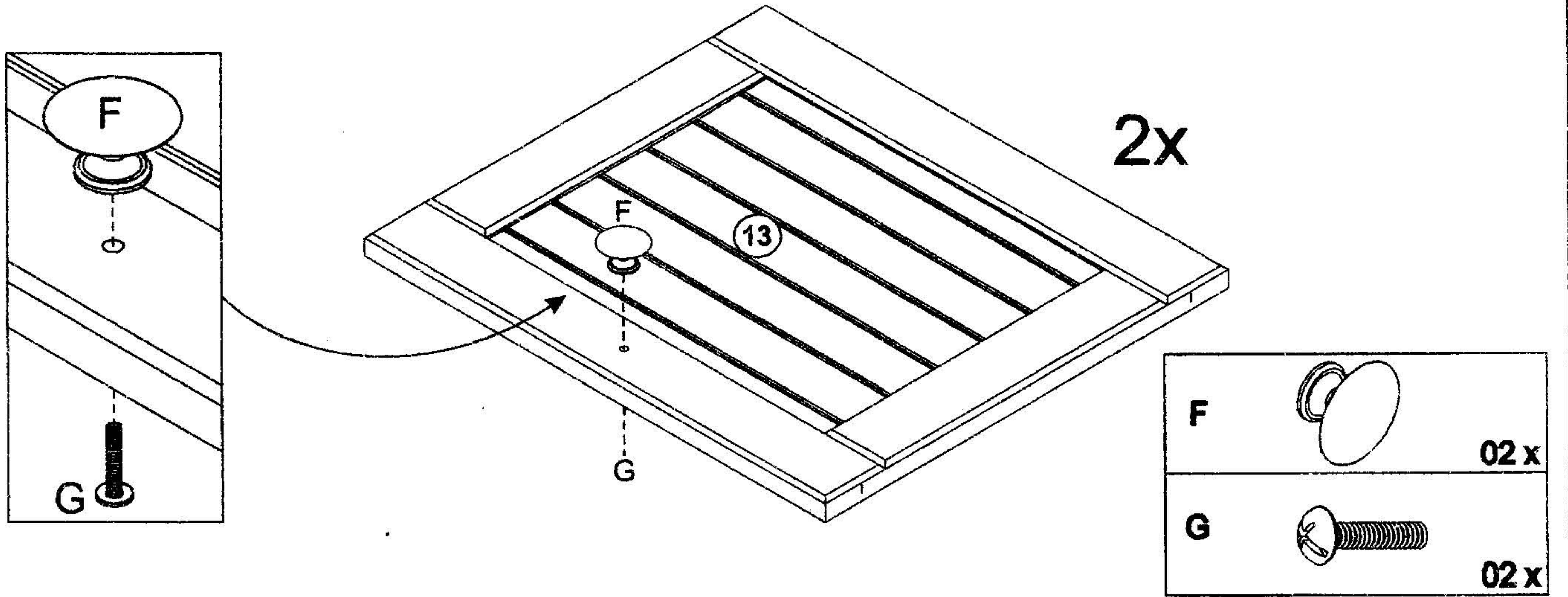
11



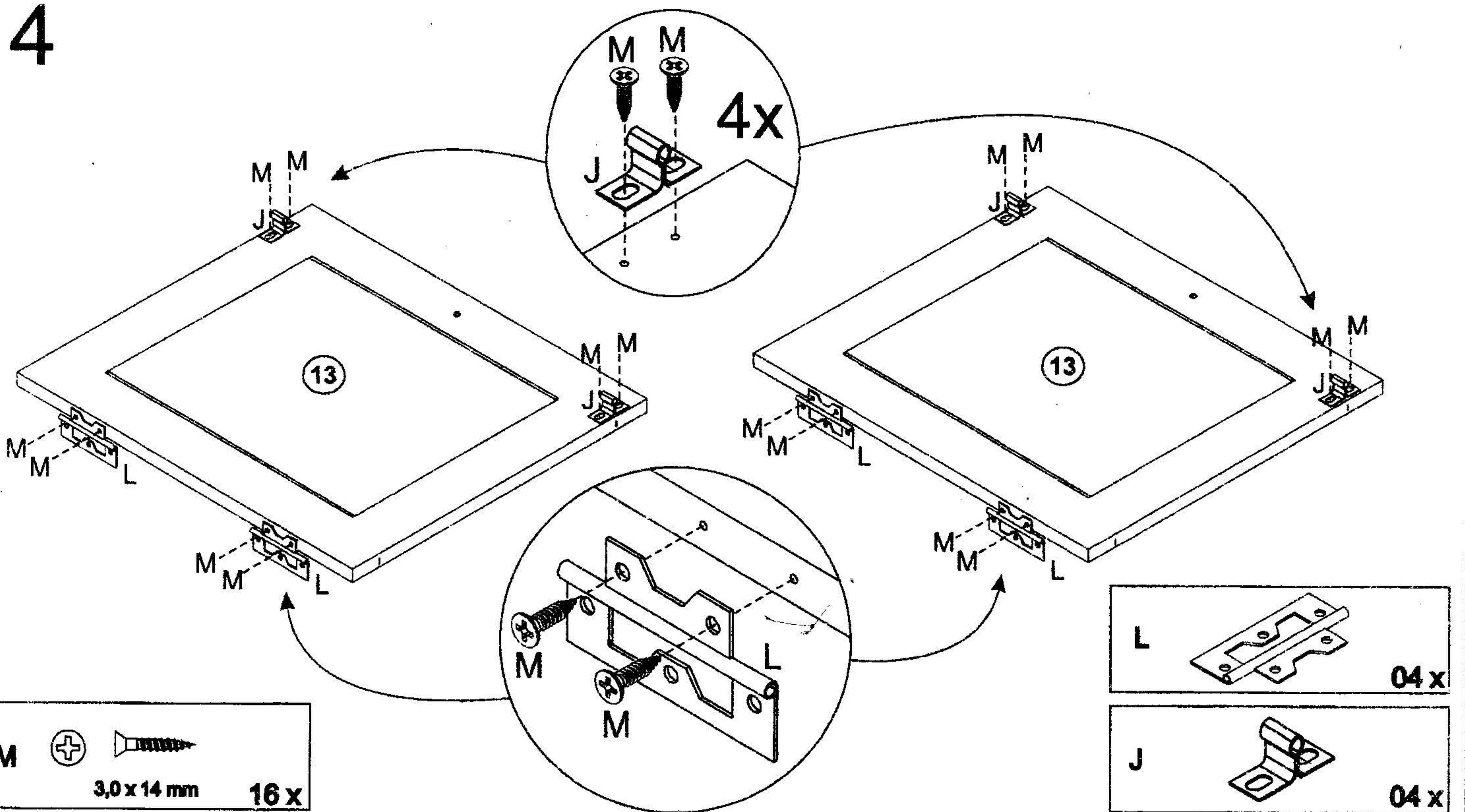
# 12



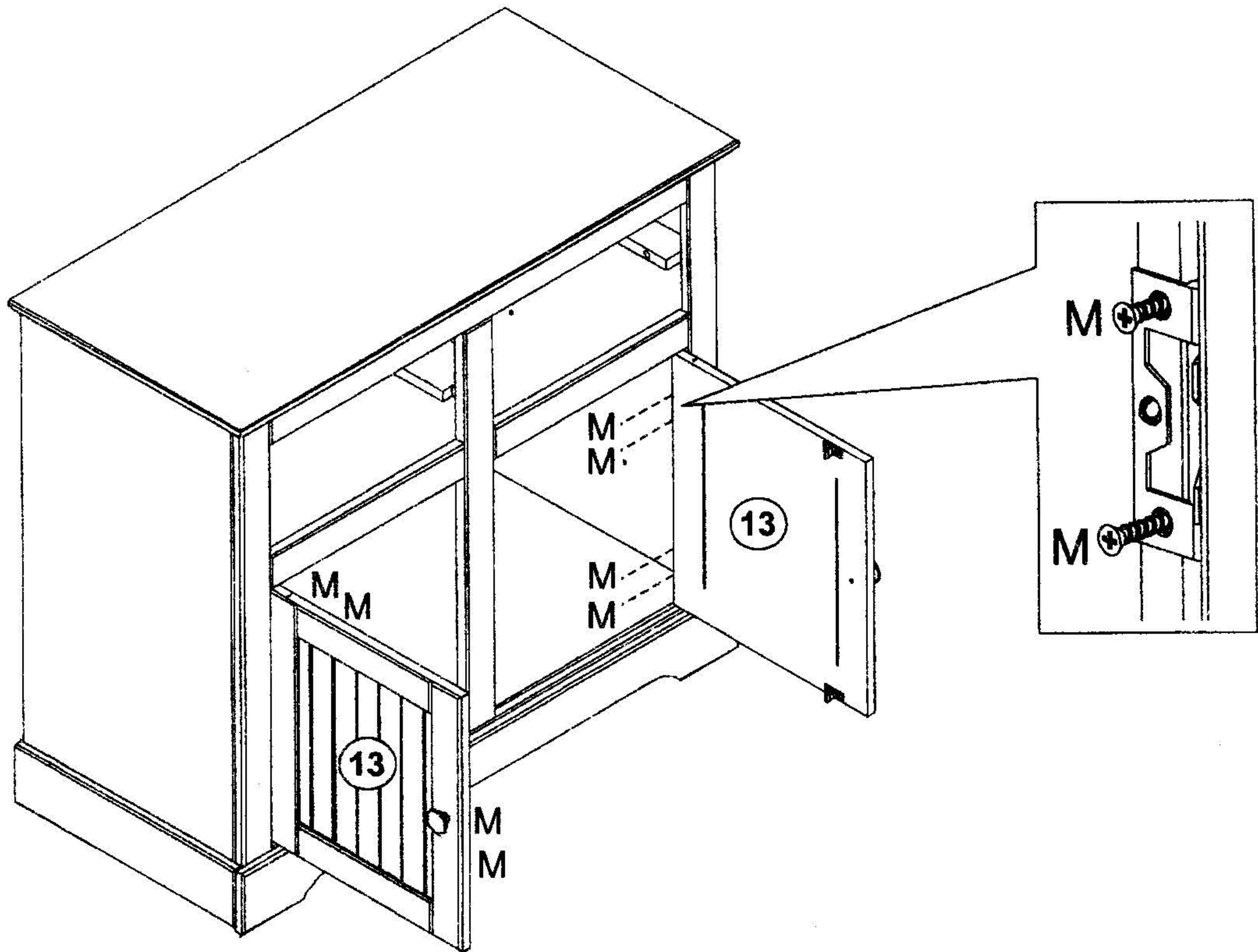
# 13




# 14

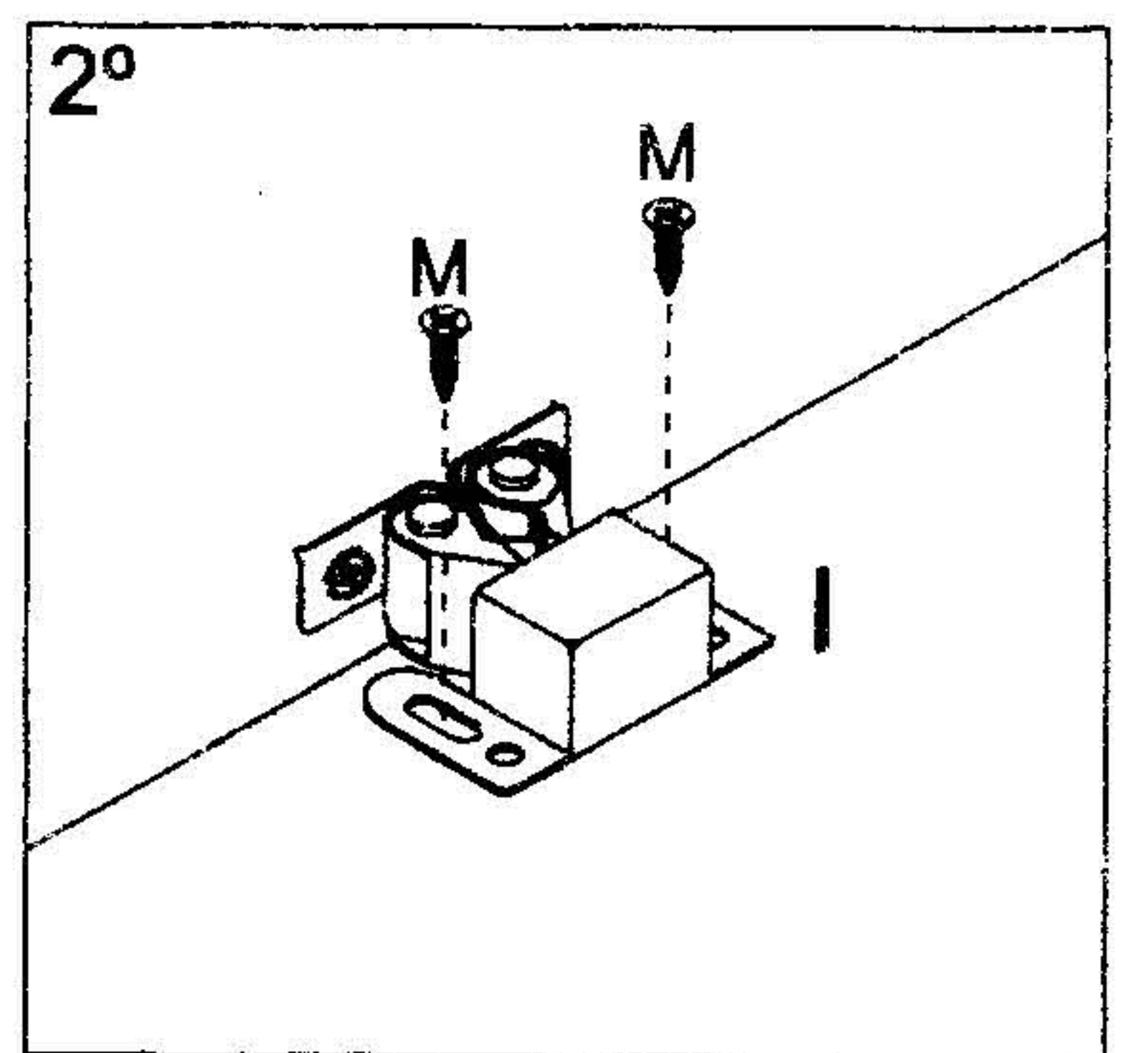
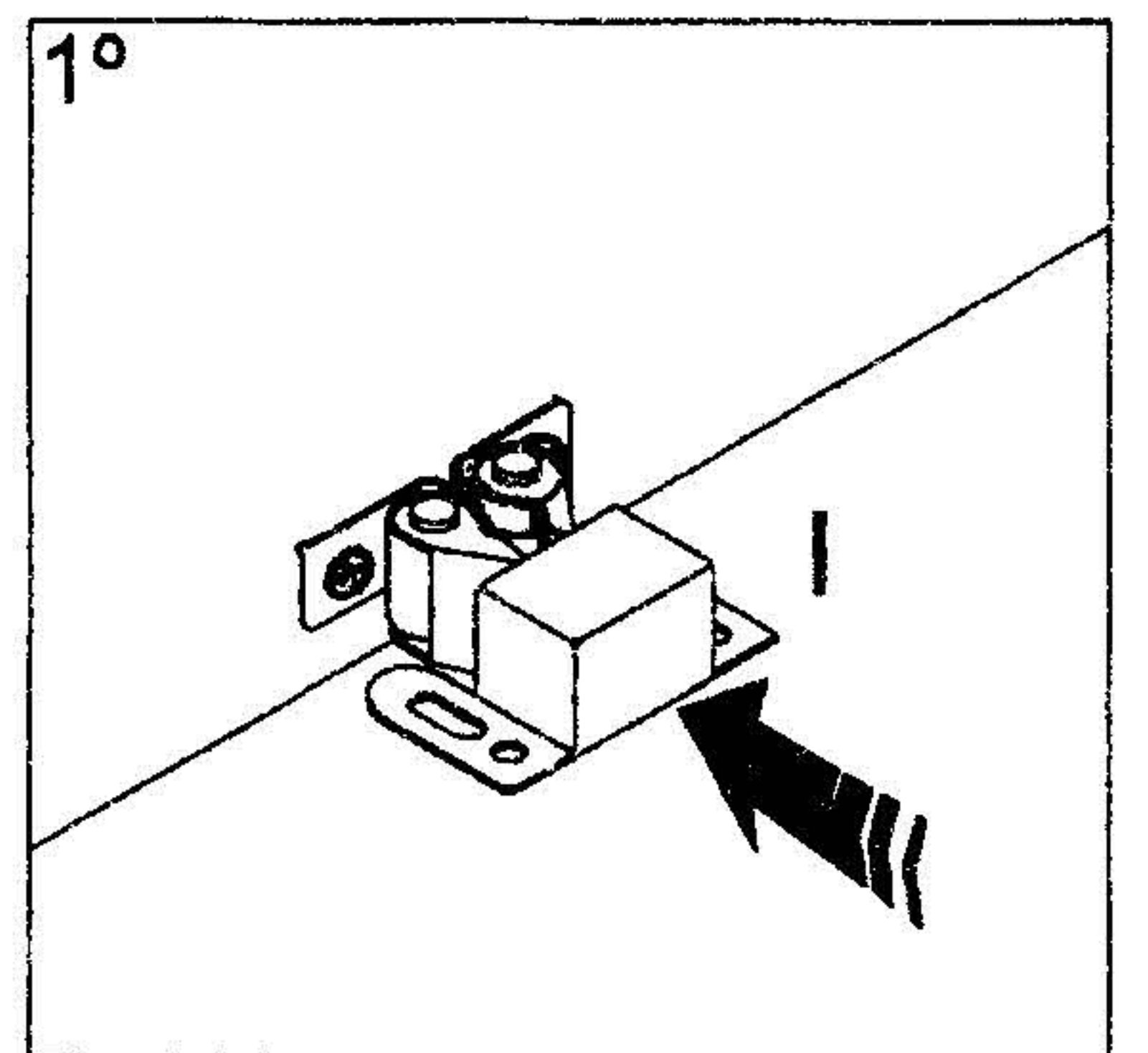
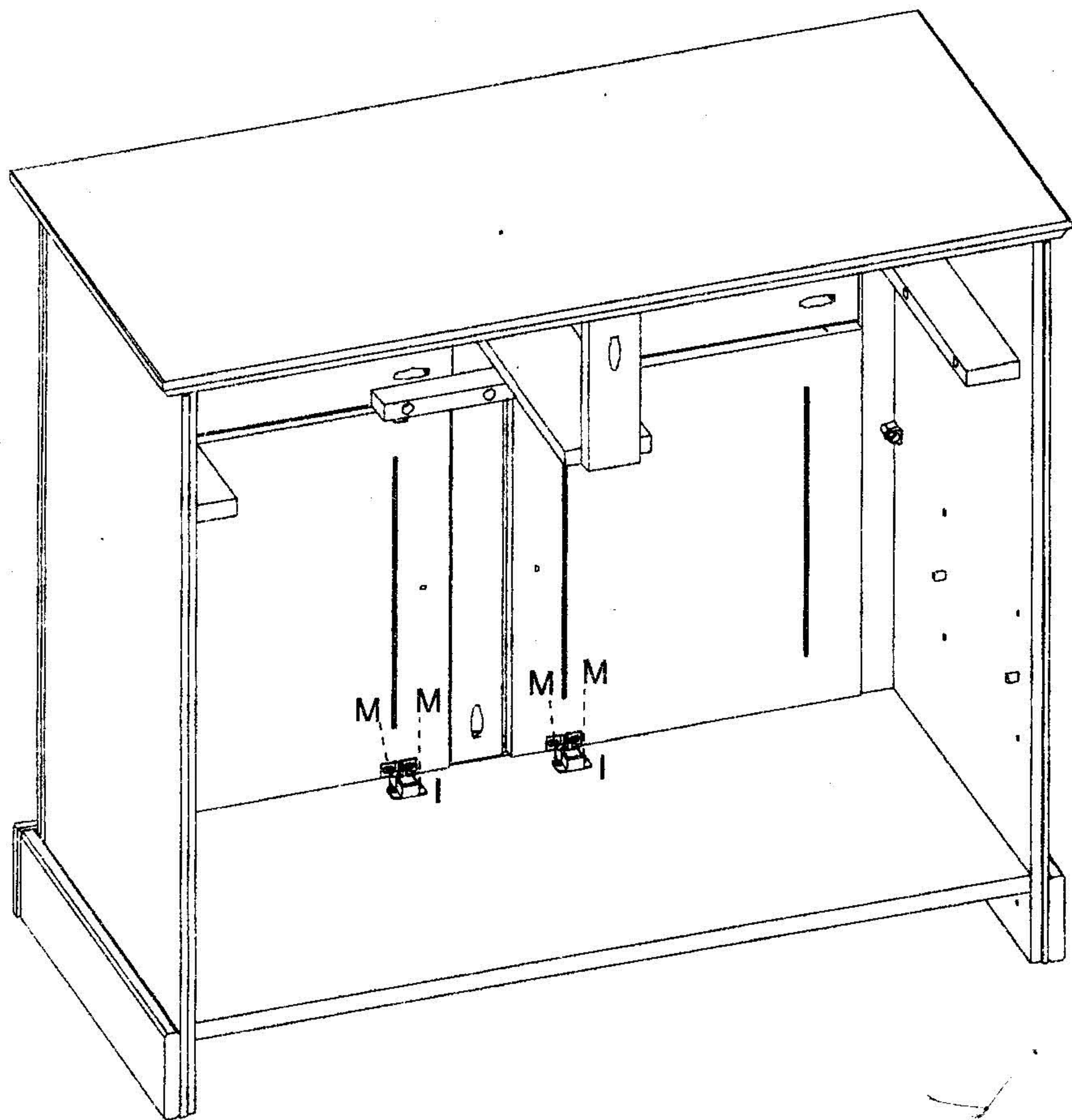


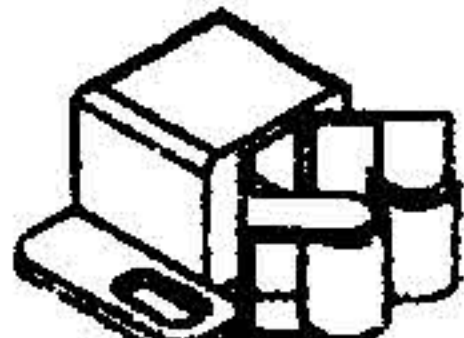

15



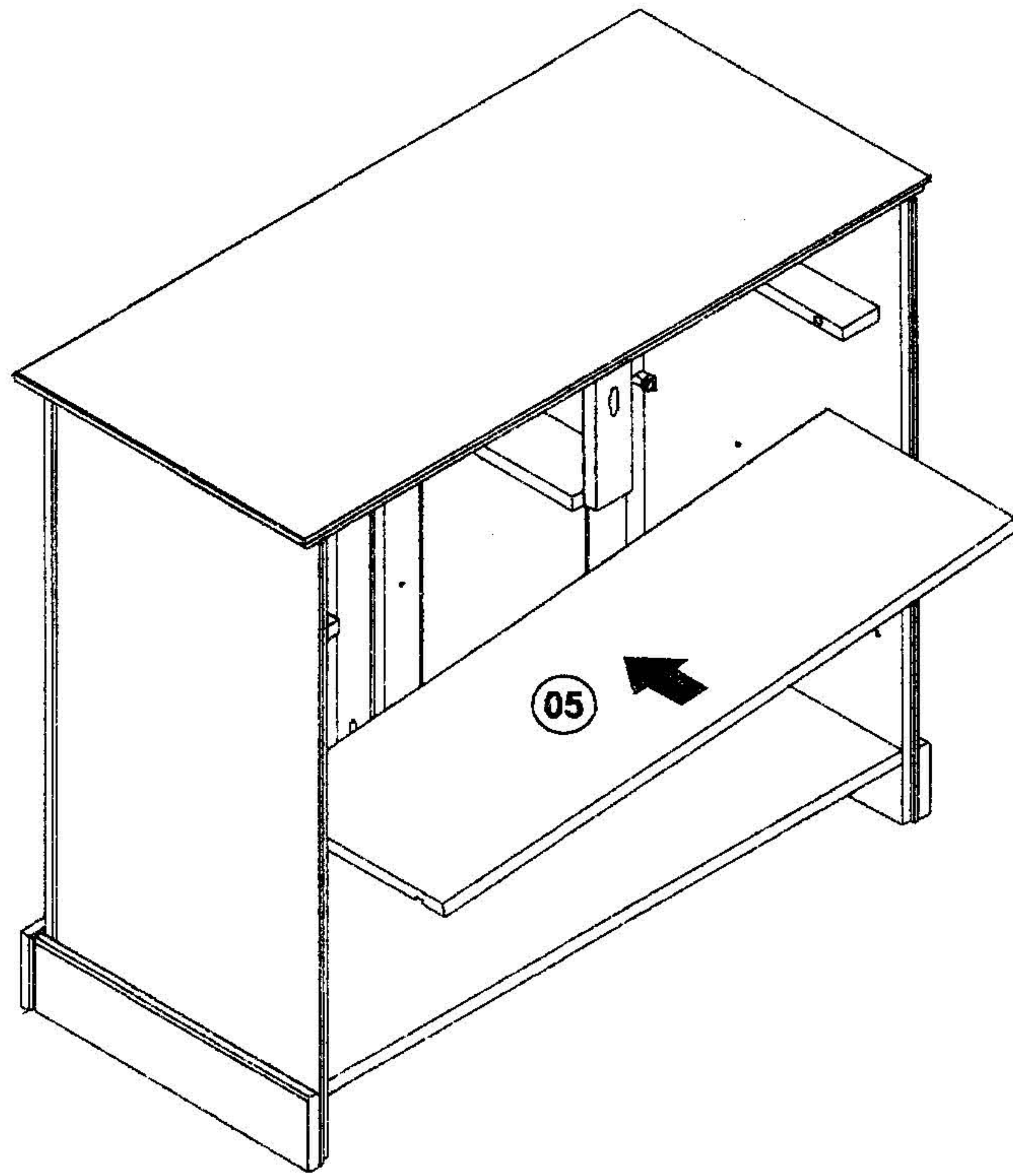
M  3,0 x 14 mm 08 x

16

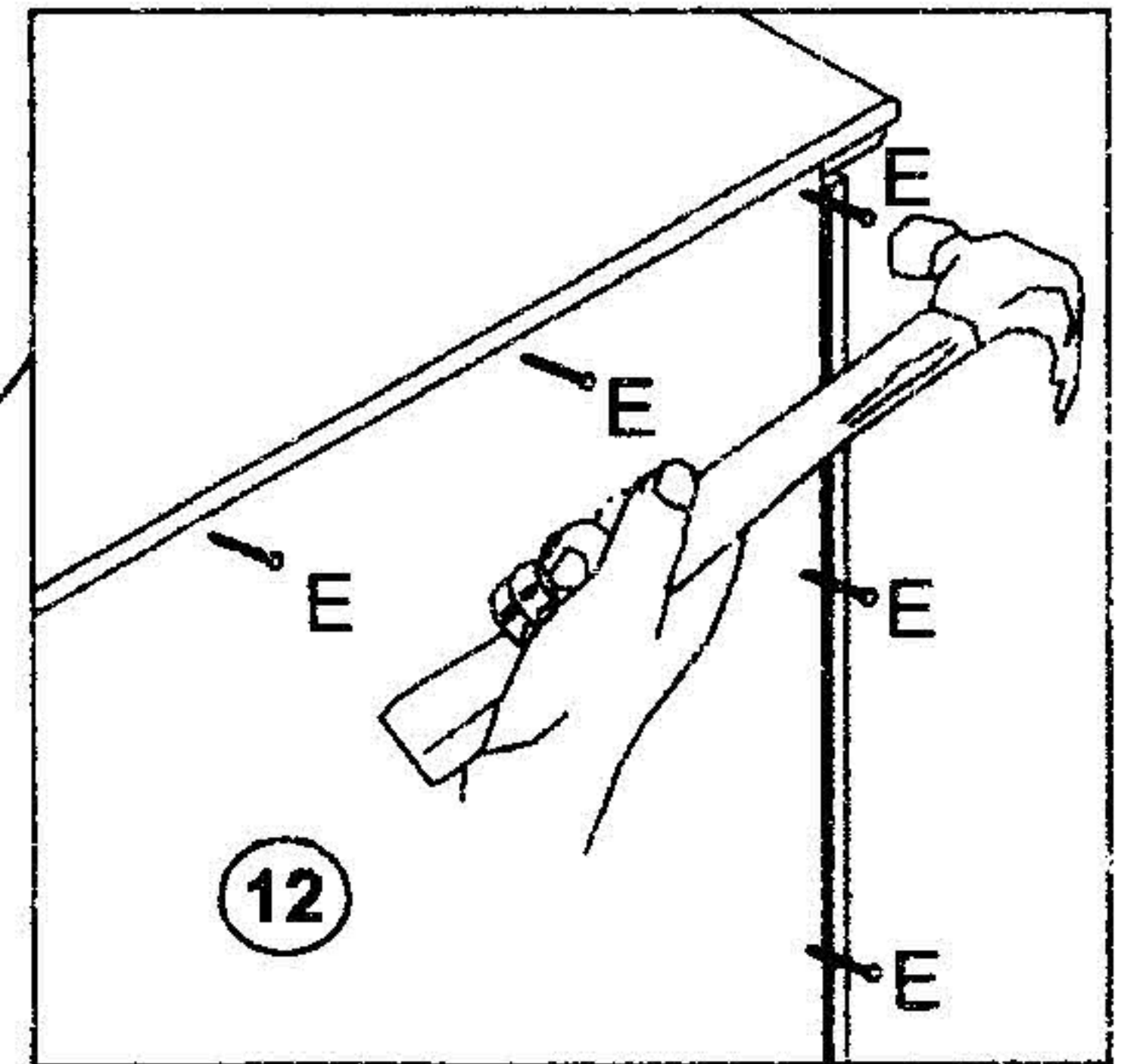
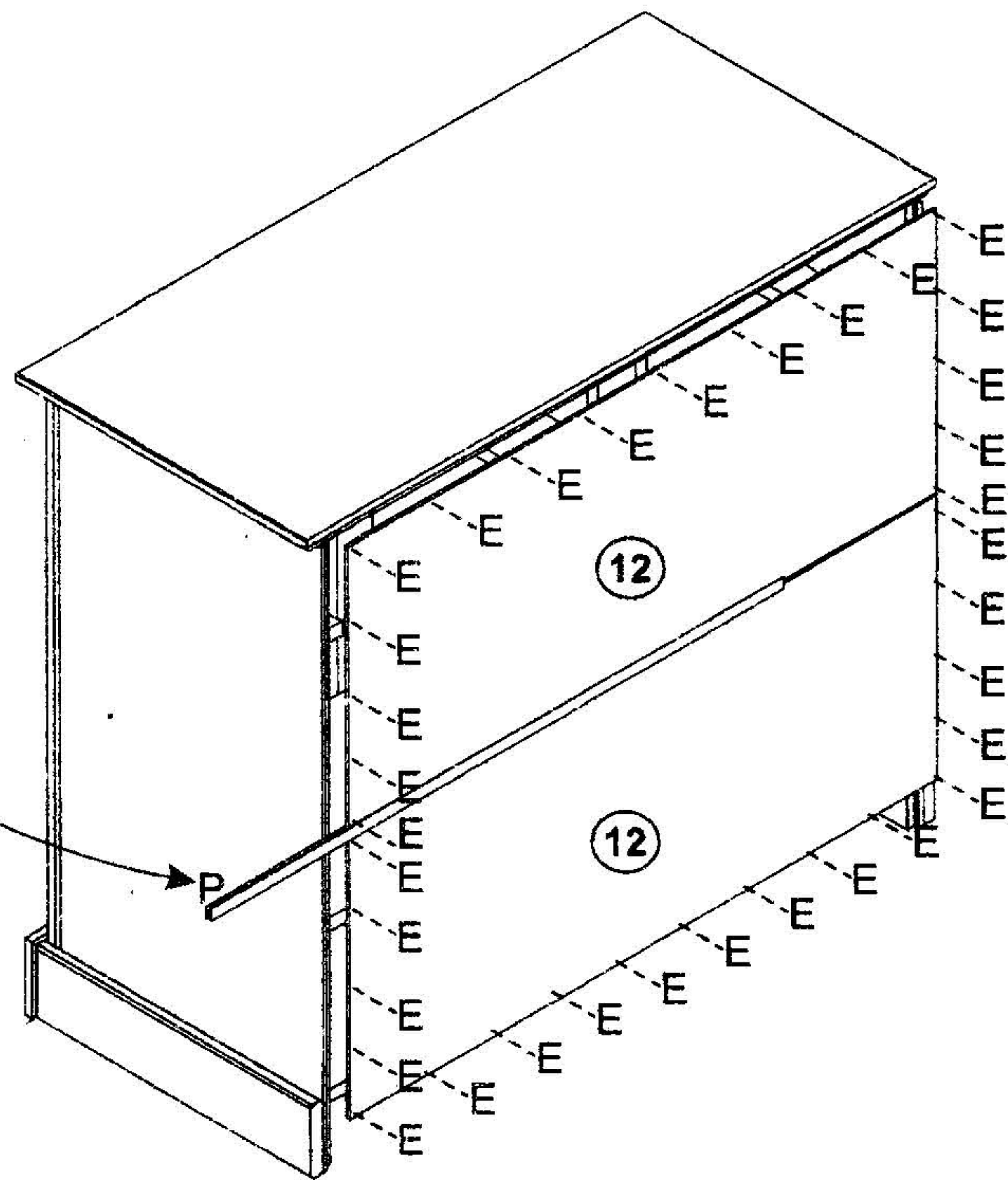
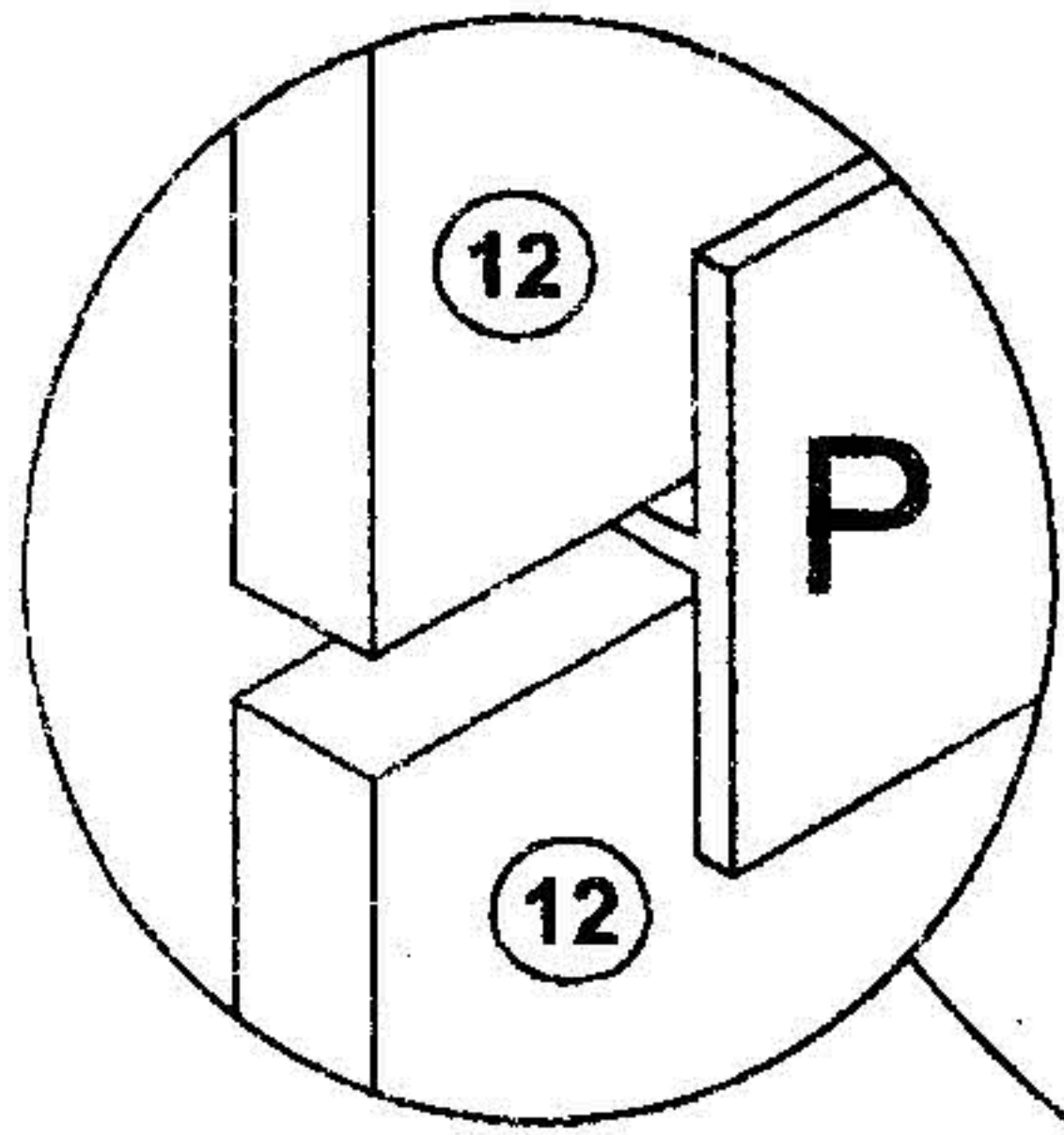


I  02 x M  3,0 x 14 mm 04 x

17

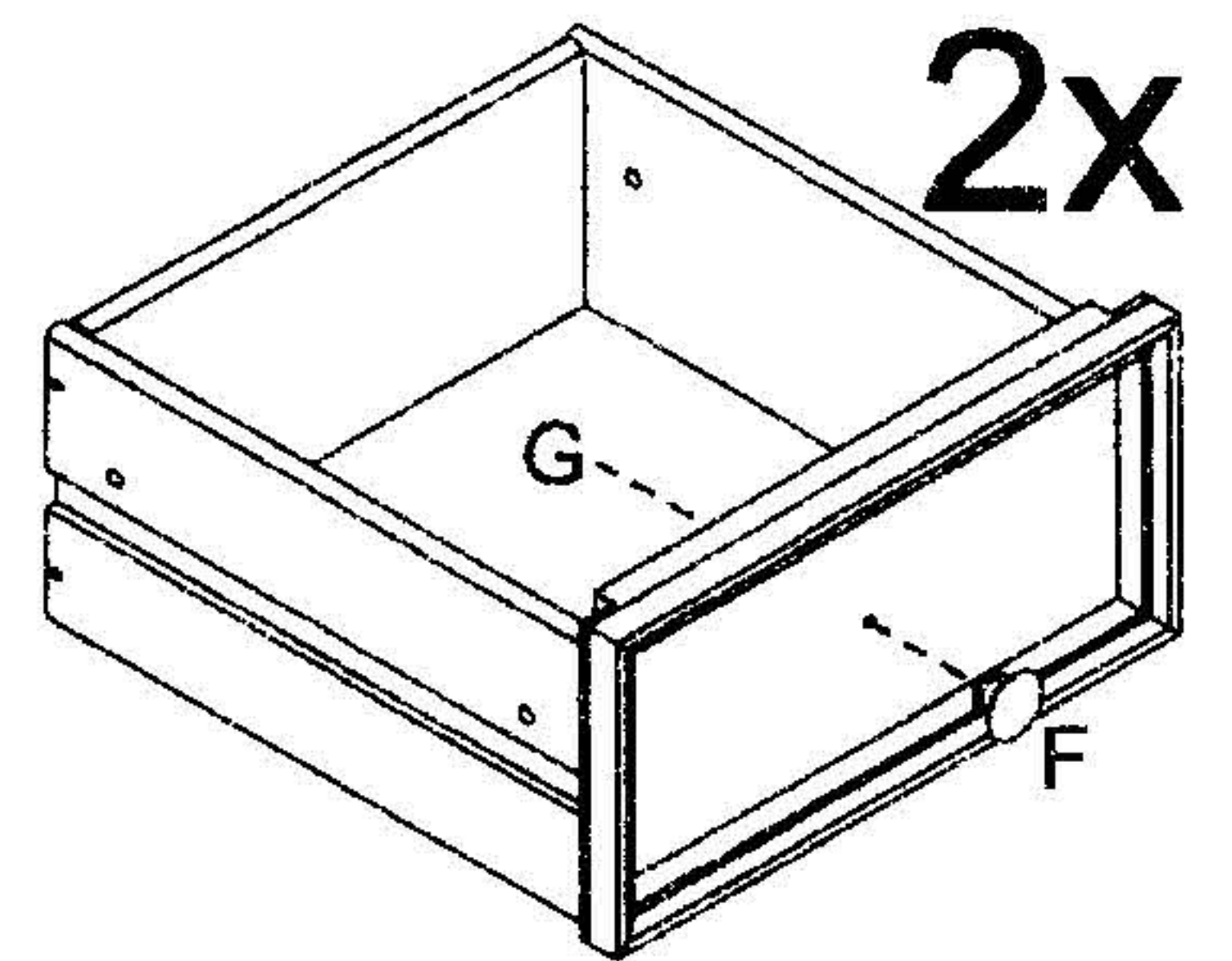
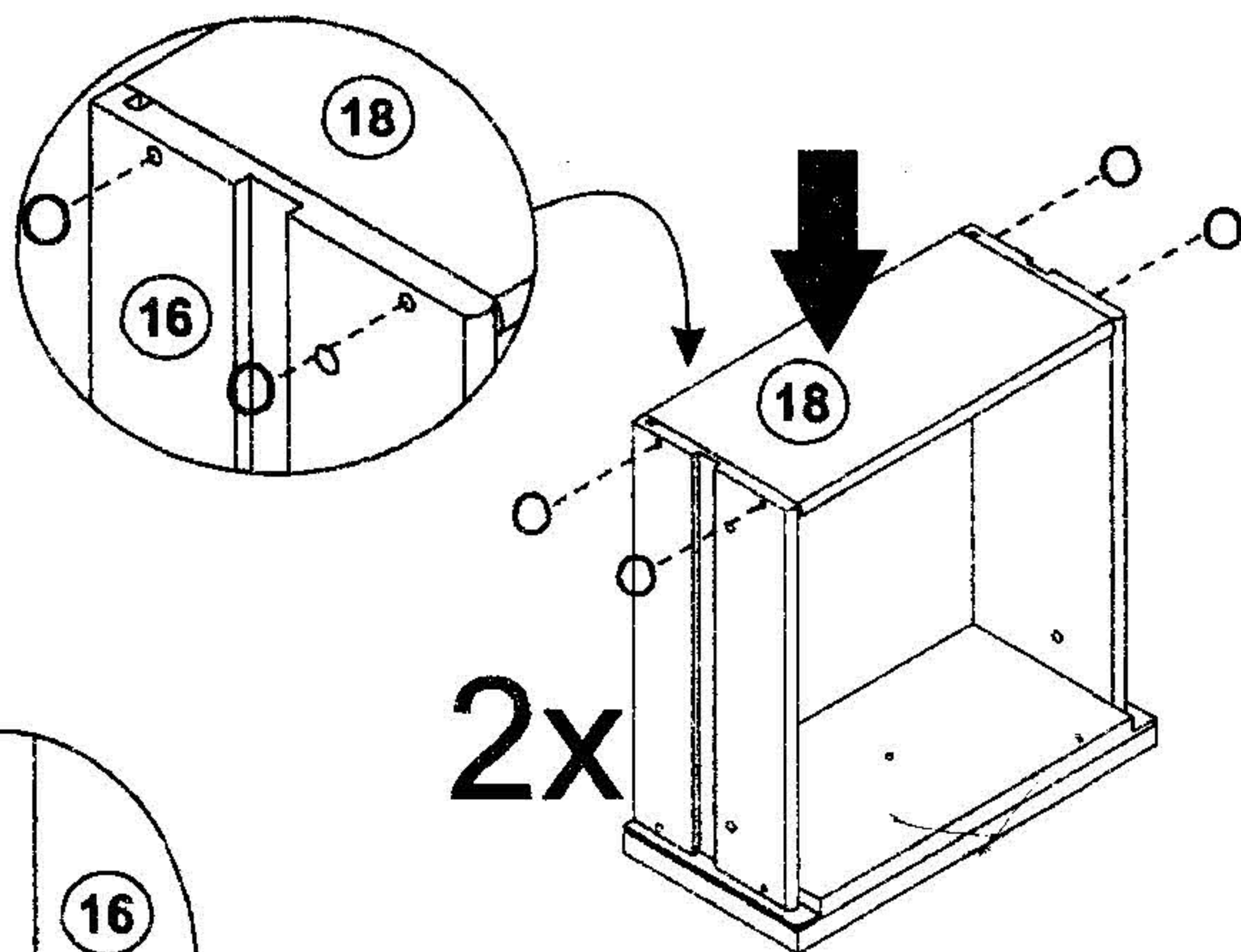
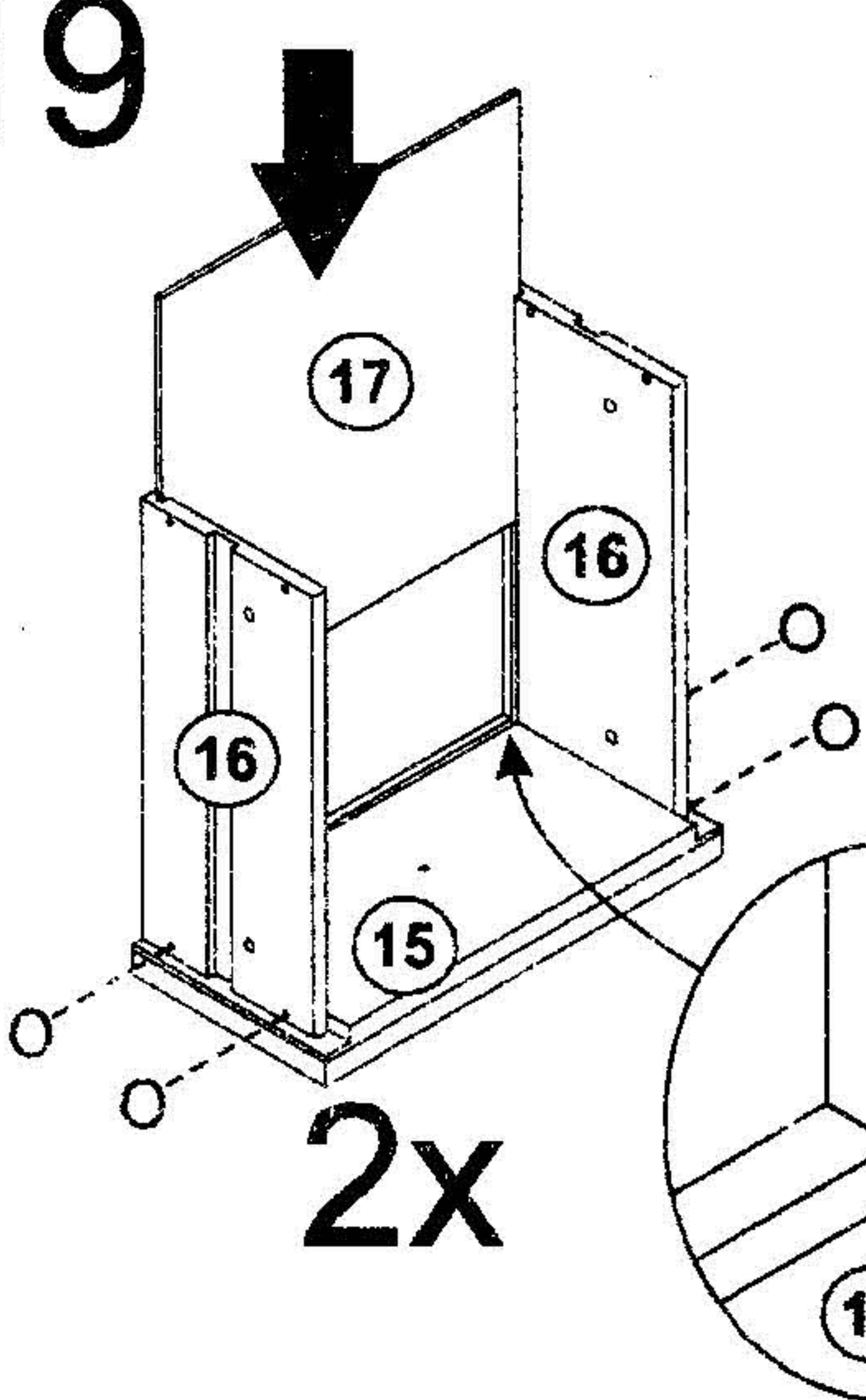


18



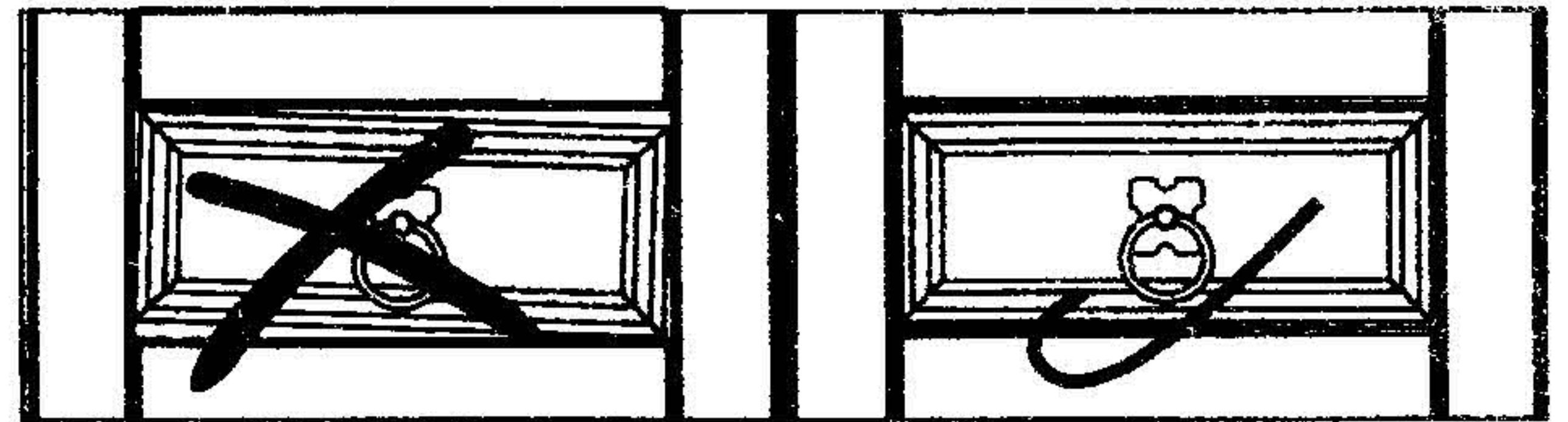
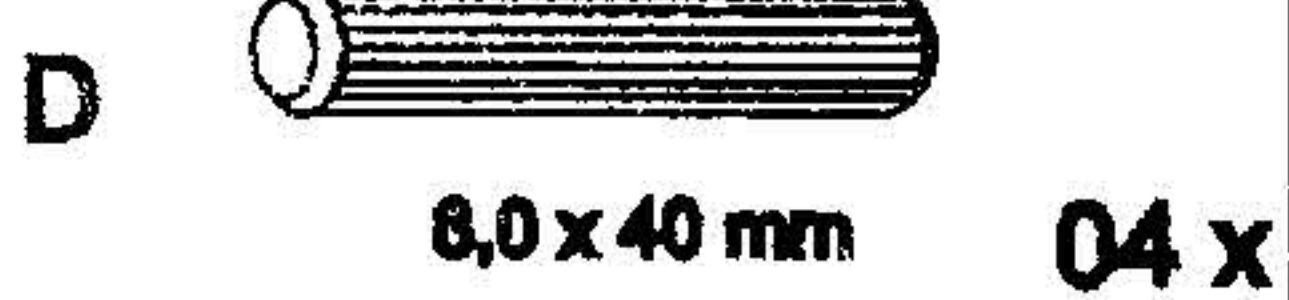
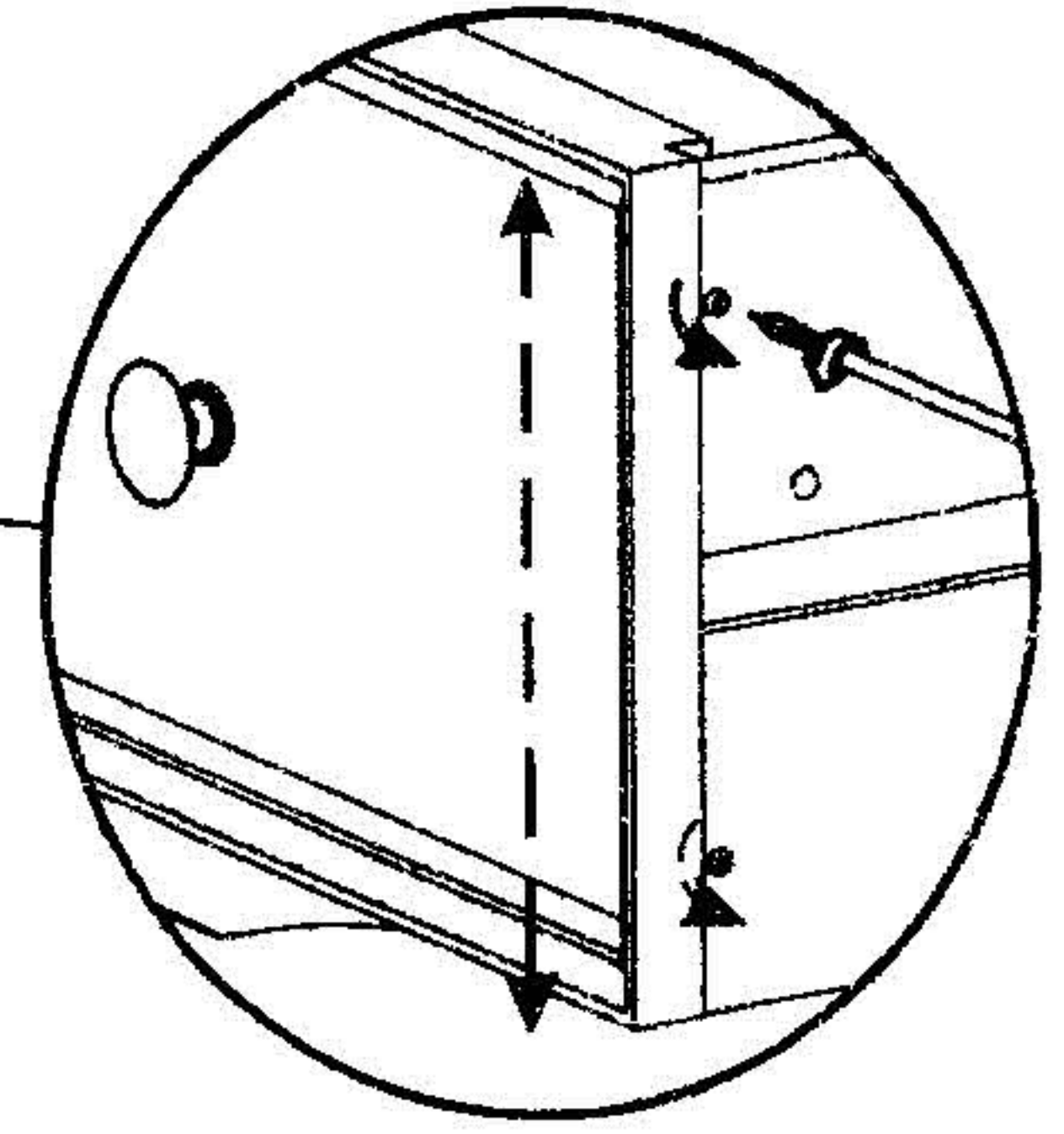
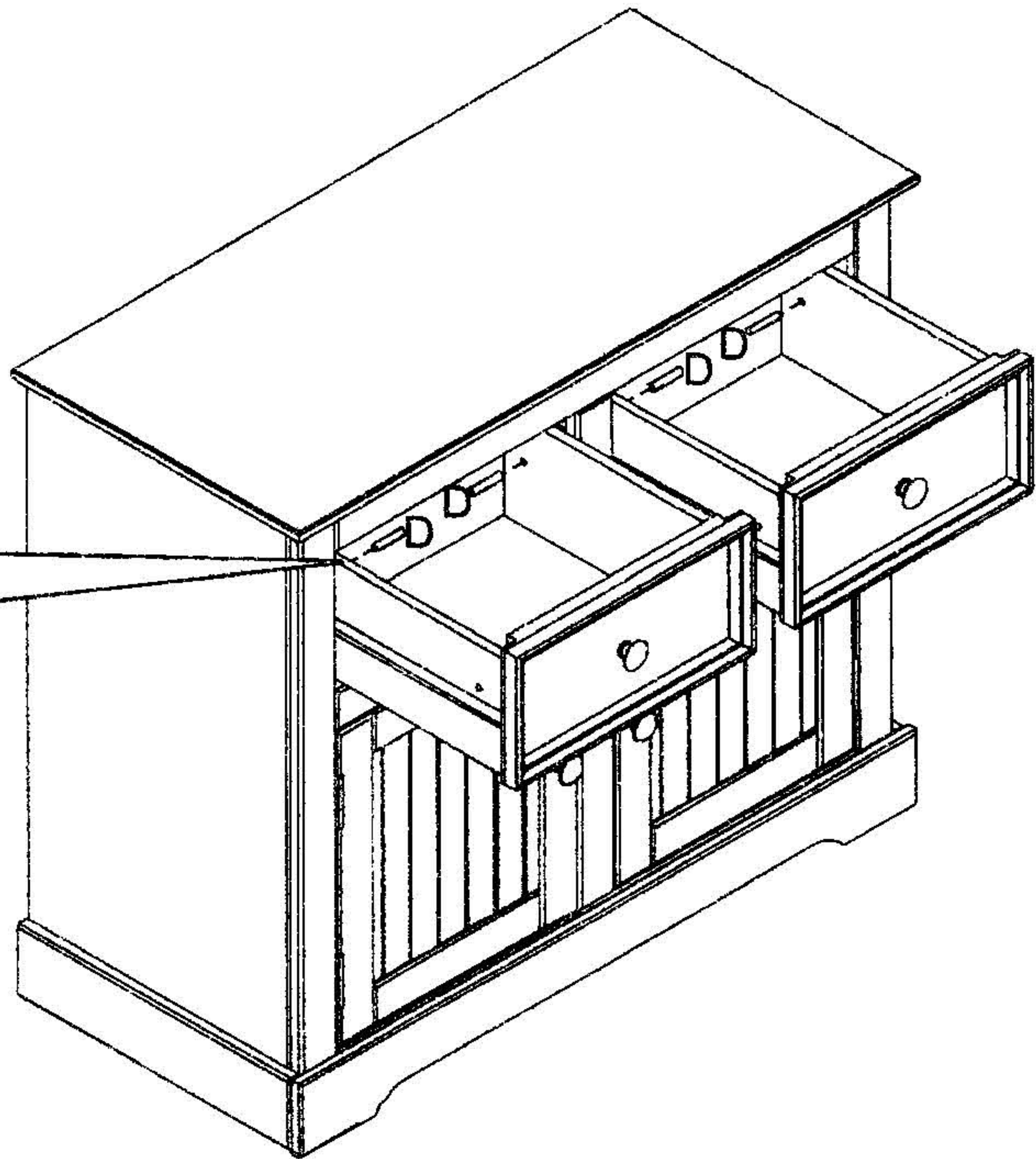
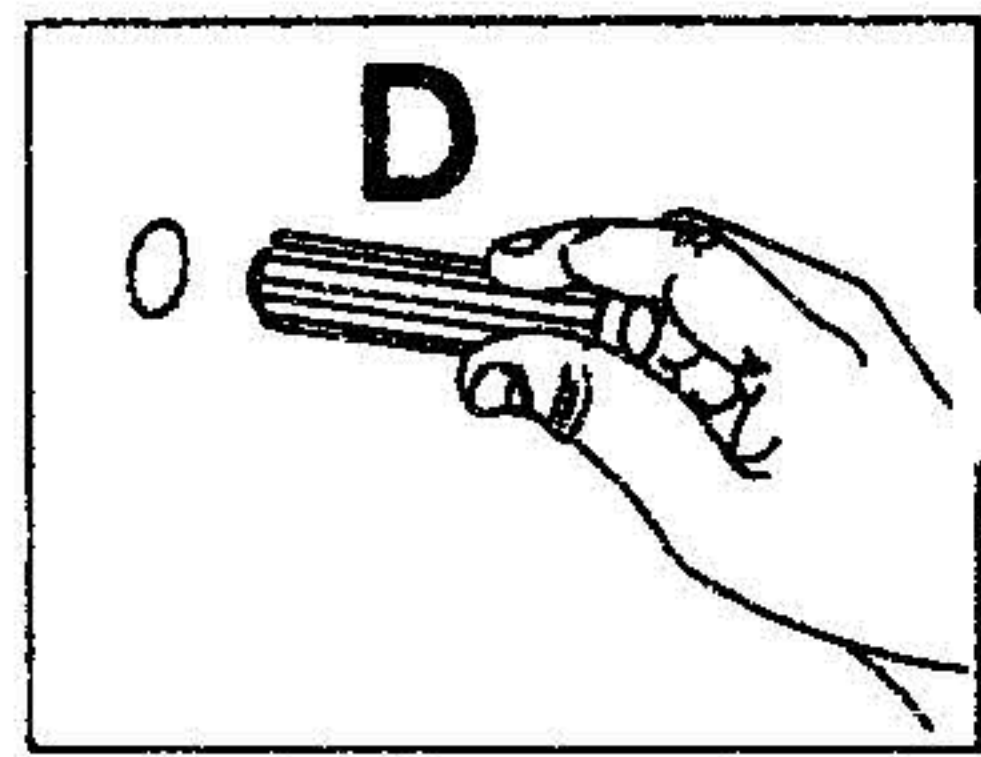
P		01 x
E		35 x

19

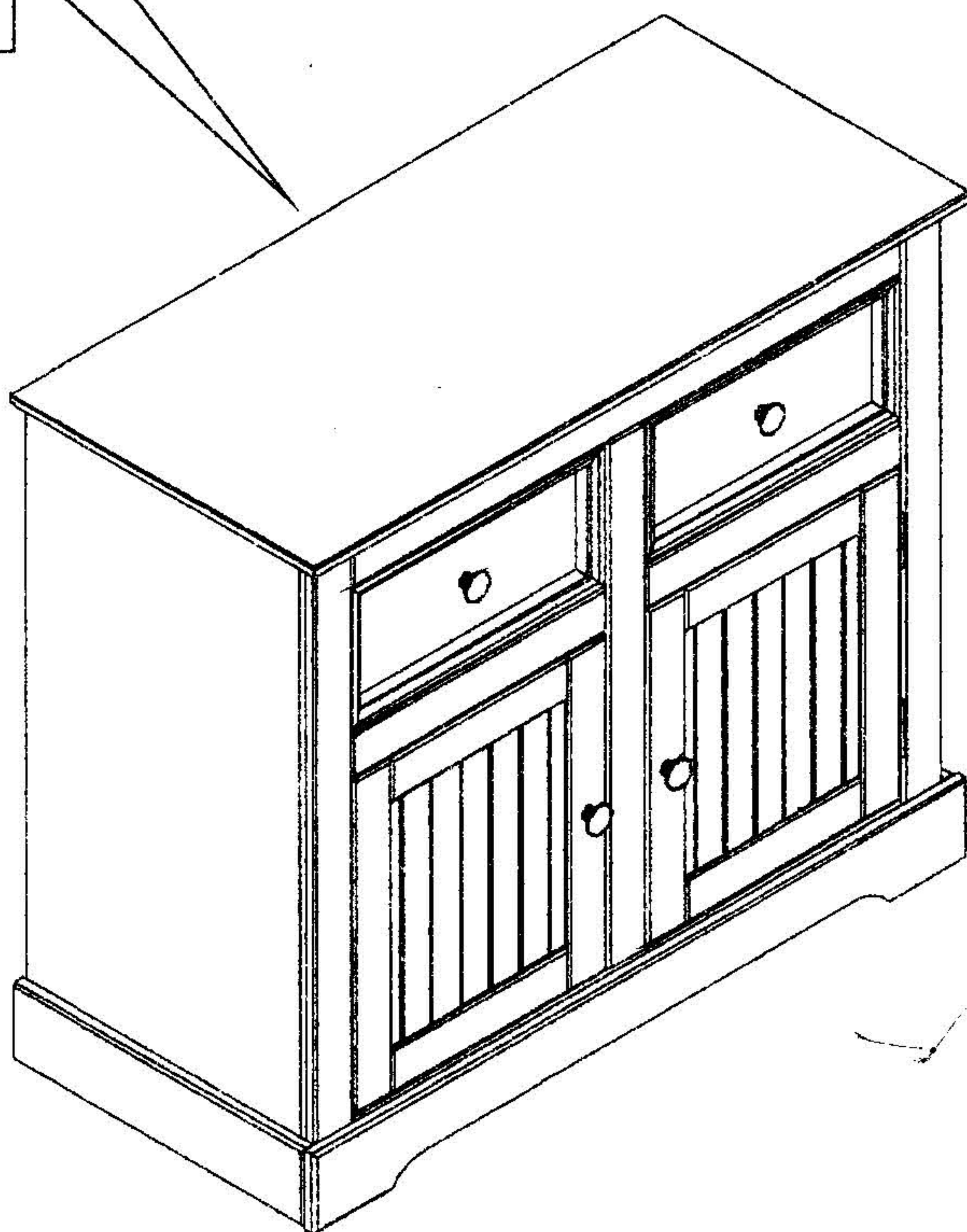
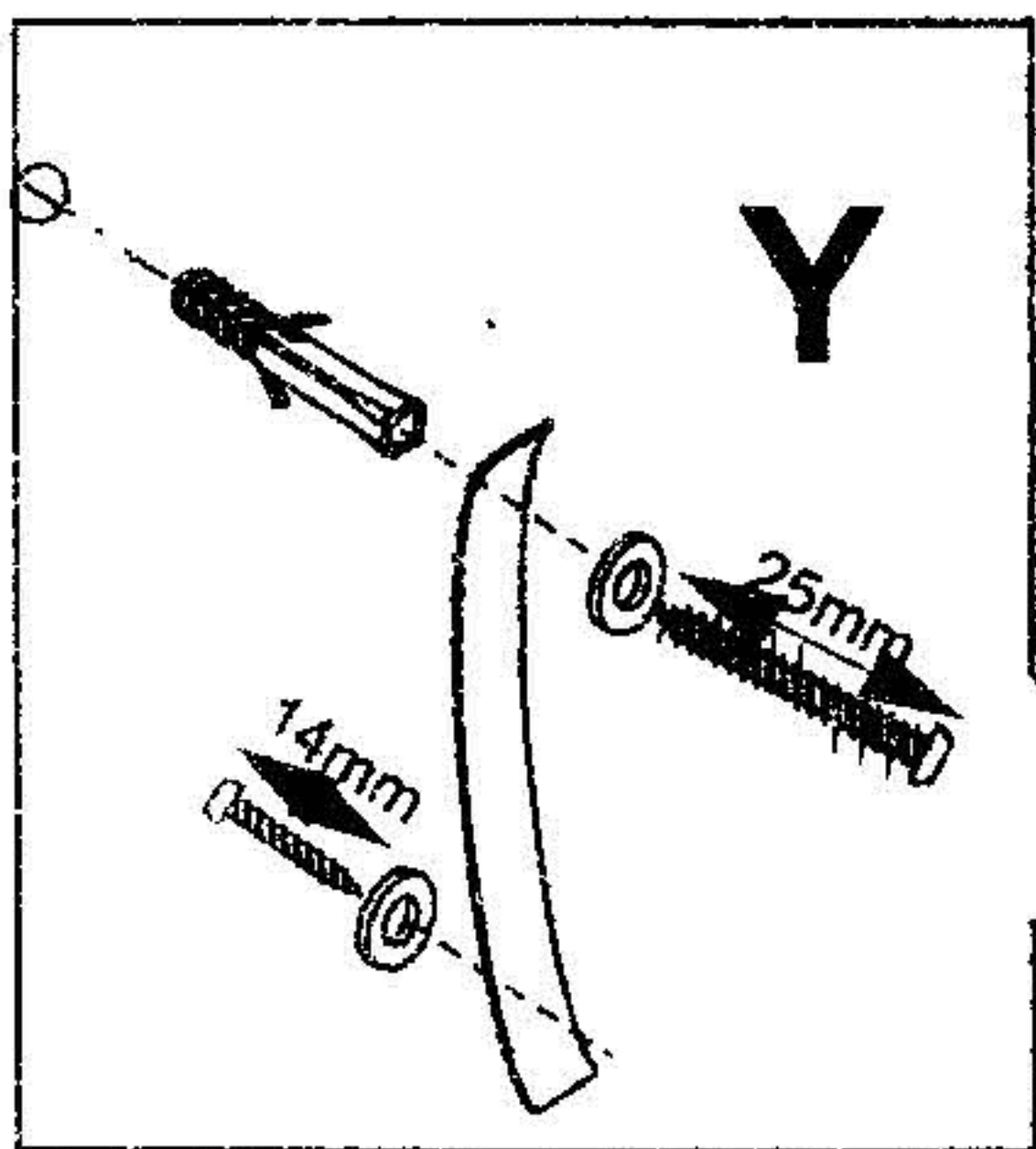


O		3,0 x 30 mm	16 x
F			02 x
G			02 x

# 20



# 21



**WARNING: CHECK FOR HIDDEN PIPES AND CABLES BEFORE DRILLING.**

**IMPORTANT: IF YOUR WALLS ARE NOT SOLID LIKE BRICK OR STONE, IT WILL REQUIRE SPECIAL FITTINGS (NOT SUPPLIED).**

- Place the fixing strip against the wall and mark the position for drilling hole.
- Drill a hole in the wall to a depth of 30mm by using a 6mm drill bit. If the surface of your wall is soft and crumbly, we would advise you to use a 5mm drill bit for a tighter fit.
- Insert the wall plug into the hole with end flush to the wall surface.
- Attach fixing strip to the wall using the 25mm screw + washer and securely tighten.
- Pre-drill small pilot hole on the back edge of the furniture top using a 2mm drill bit. Attach the other end fixing strip to the back edge of the furniture top using the 14mm screw + washer and securely tighten.

