
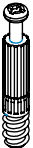




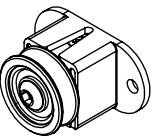
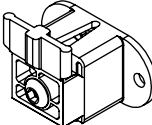



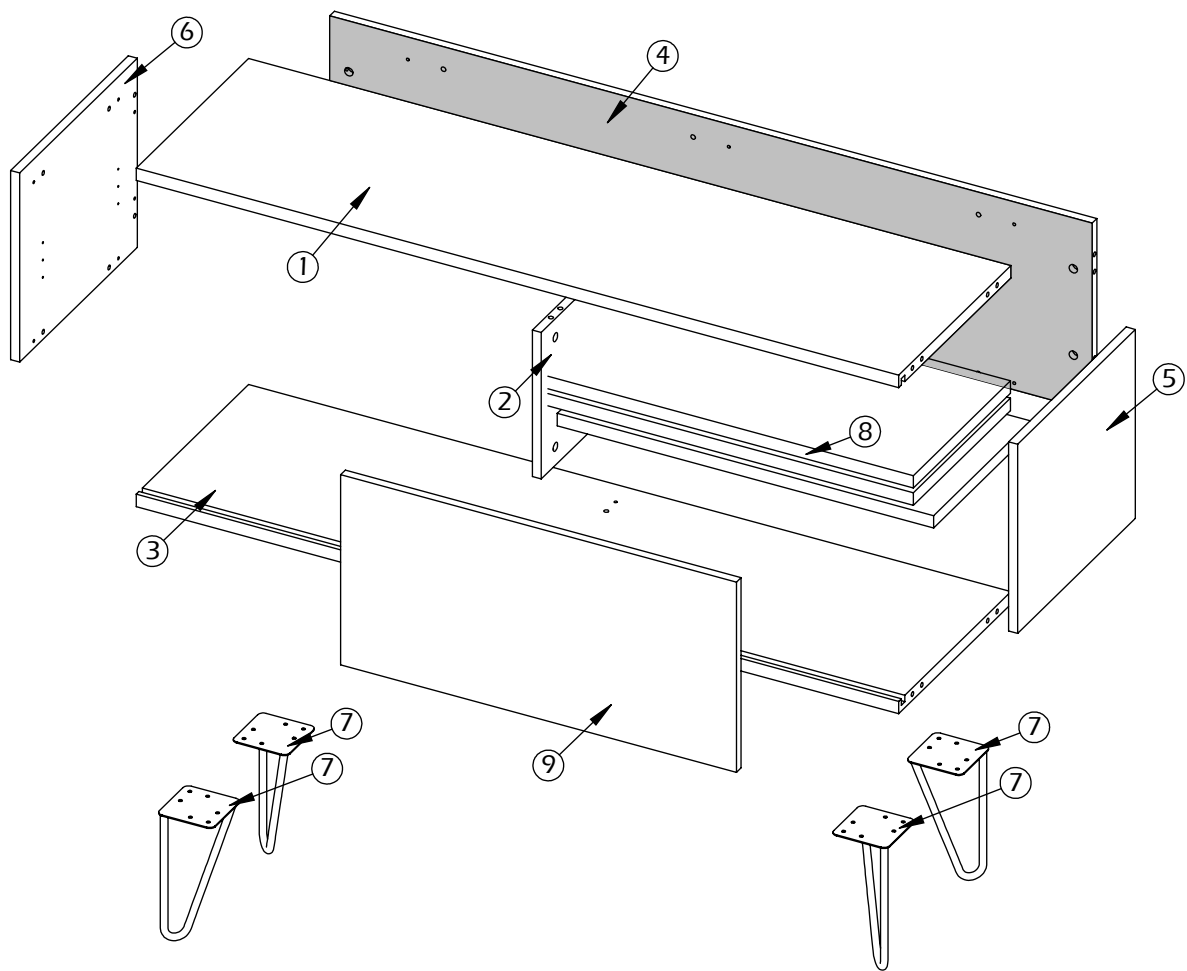



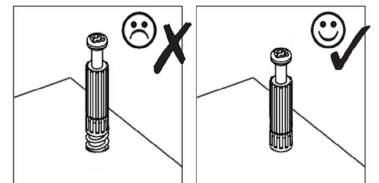
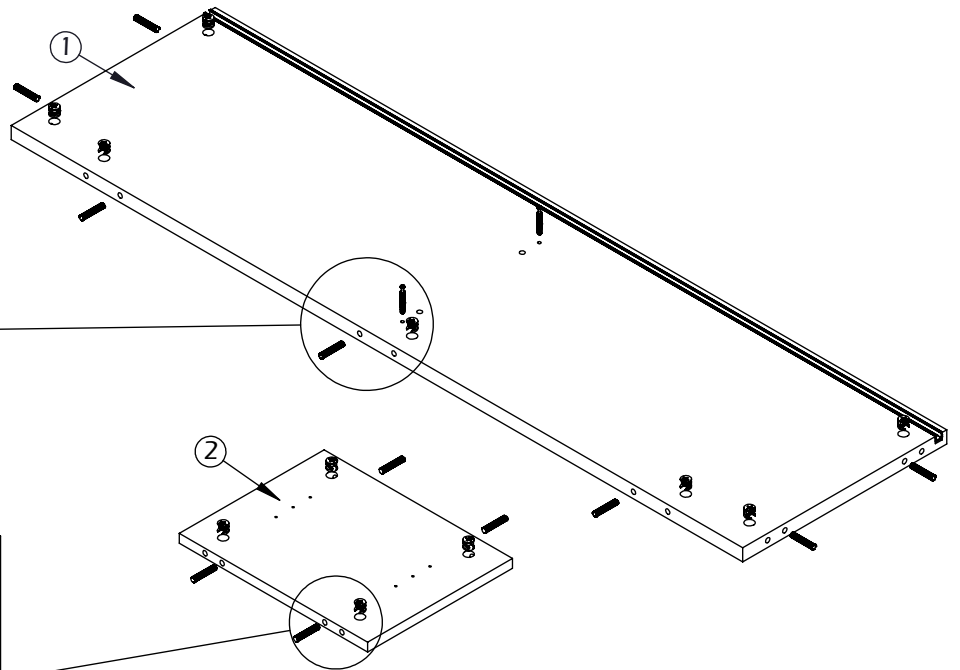
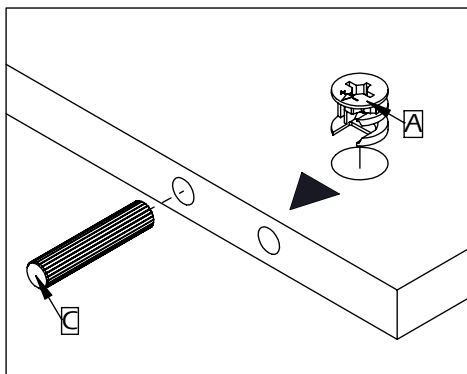
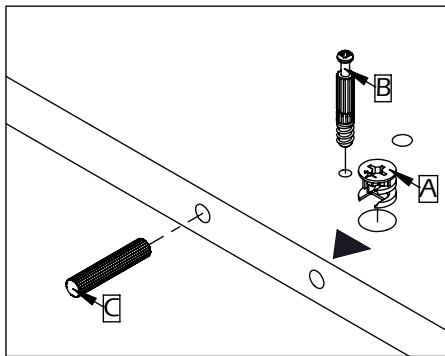
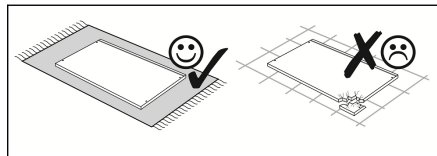


					A - 22x	B - 22x	C - 22x
							
					Ø 15x13mm 0512.042	Ø 7x41mm 0512.041	Ø 8x40mm 0540.004
D - 2x	E - 24x	F - 4x	G - 2x	H - 2x	I - 8x	J - 4x	K - 10x/8x
							
Ø 60x24mm 0520.163/ 0520.164	Ø 4x16mm 0512.001	Ø 6,5x16mm 0900.174	41x27x23mm 0516.085	41x29x27mm 0516.085	Ø 3x12mm 0516.085	Ø 10x3mm 0520.063	Ø 20x0,5mm 0520.011/ 0520.171/ 0520.165

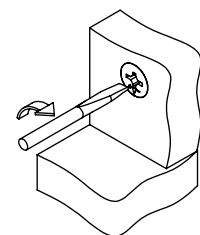
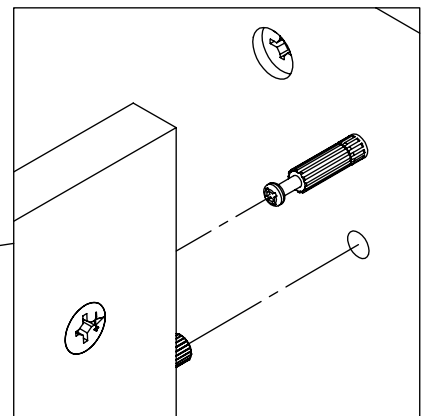
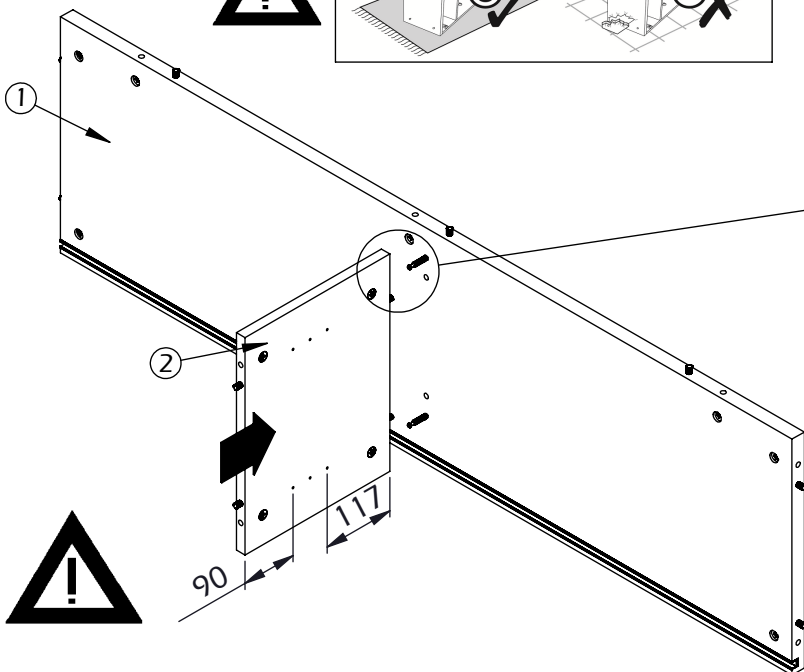
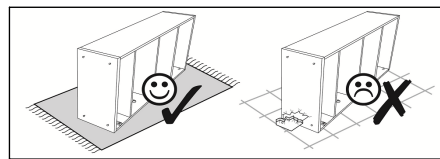


1

A-11x  Ø15x13mm	B-2x  Ø7x41mm	C-11x  Ø8x40mm
--	--	---



2



3

A-7x



B-2x



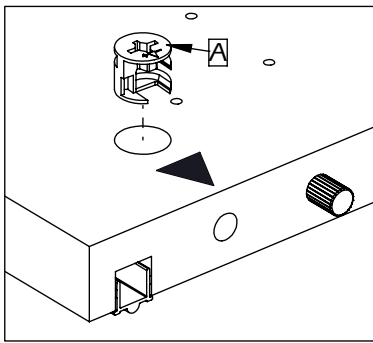
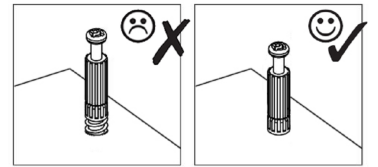
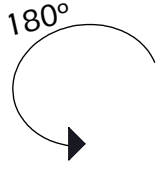
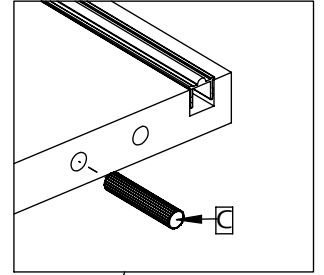
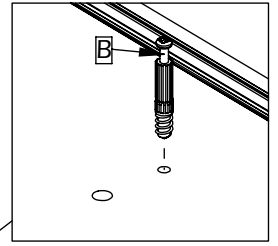
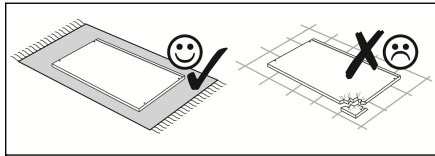
C-7x



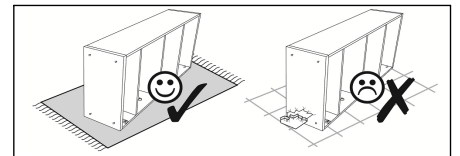
Ø15x13mm

Ø7x41mm

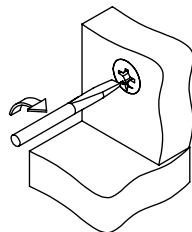
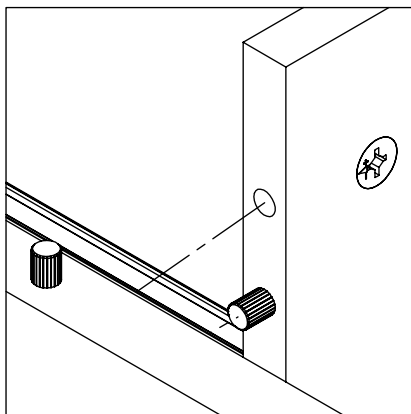
Ø8x40mm



4



3



5

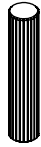
A-4x



B-6x



C-4x



D-2x

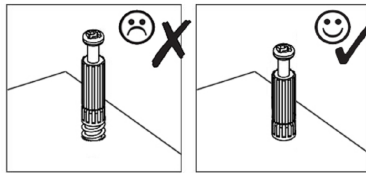
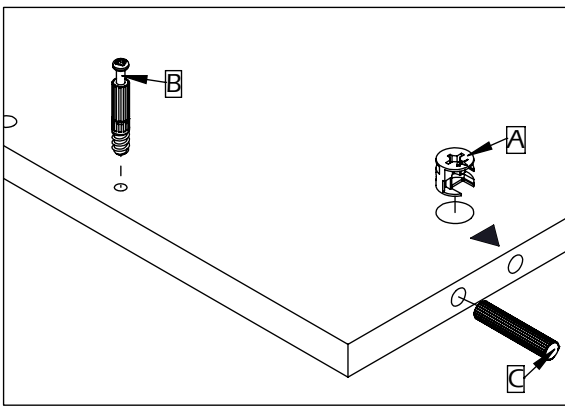
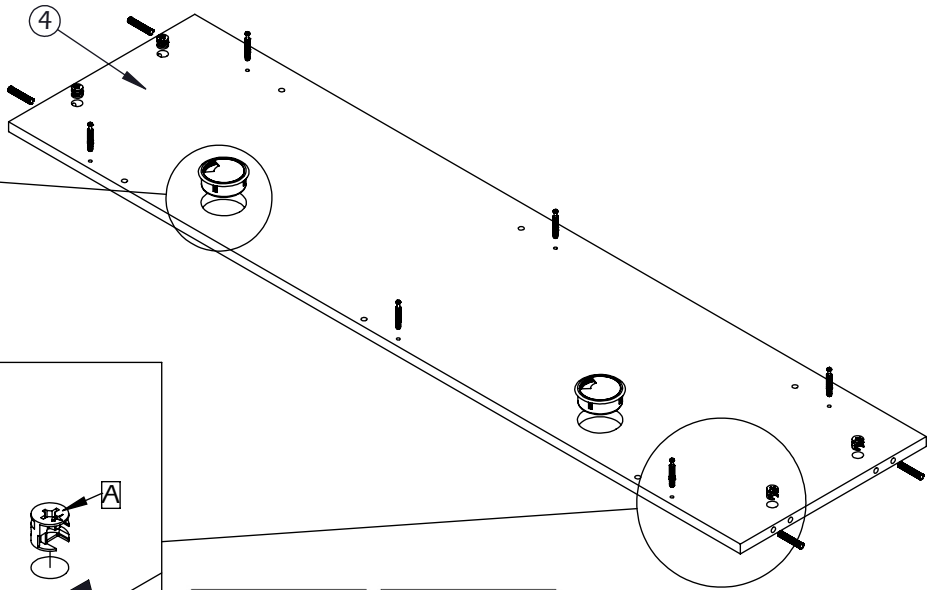
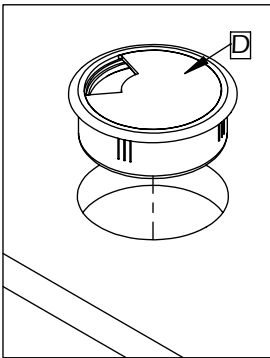
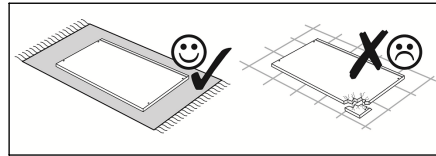


Ø15x13mm

Ø7x41mm

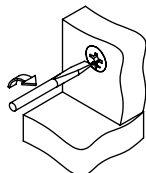
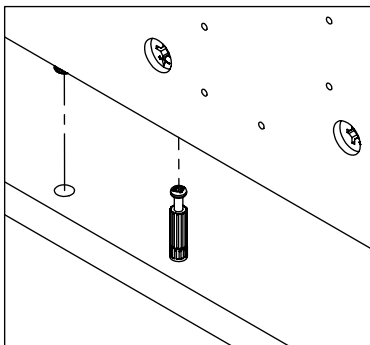
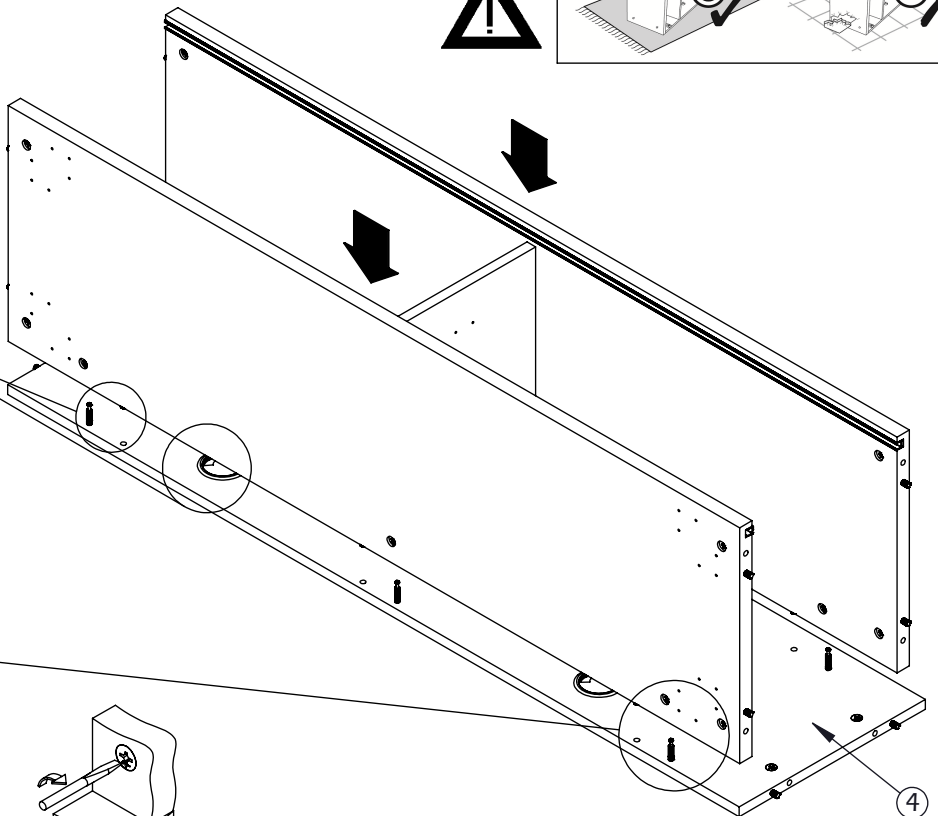
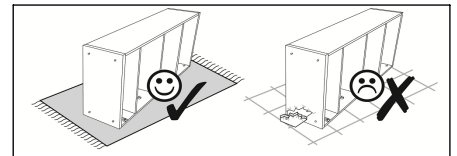
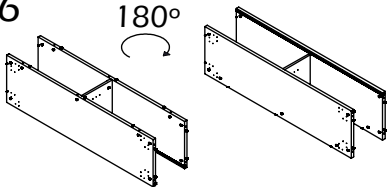
Ø8x40mm

Ø60x24mm



6

180°

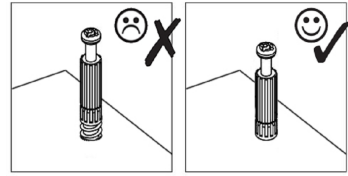
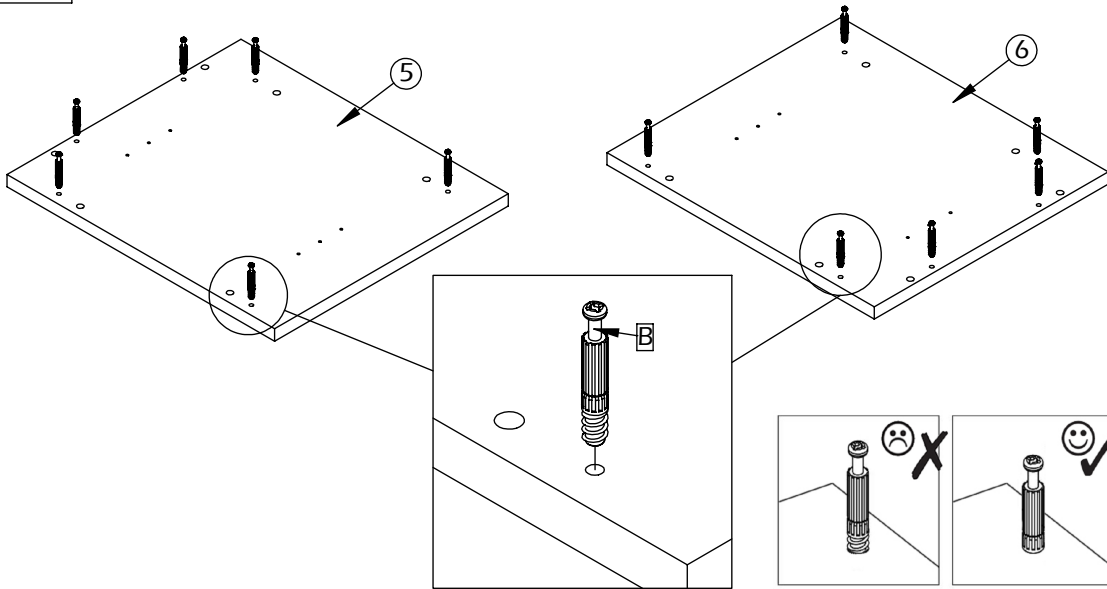
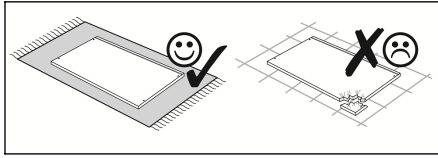


7

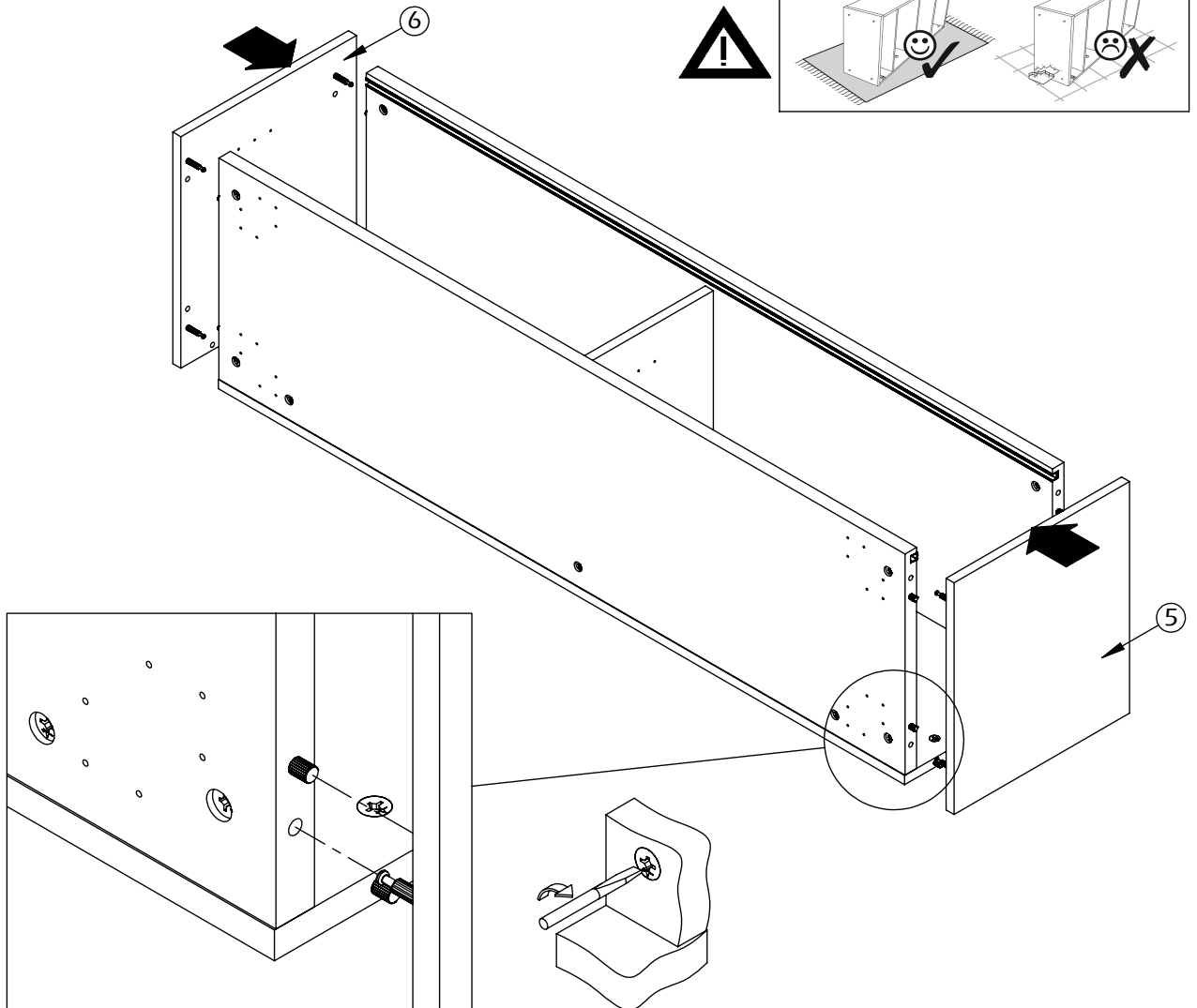
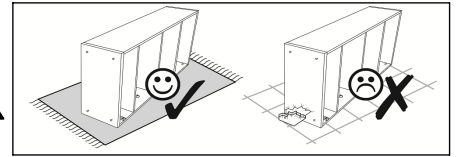
B-12x



Ø7x41mm



8

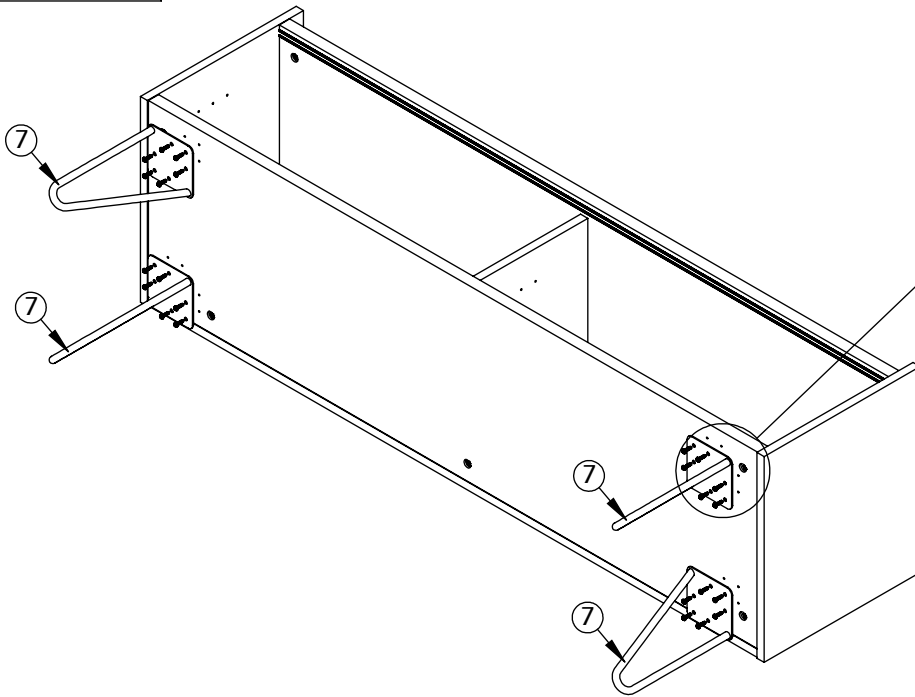
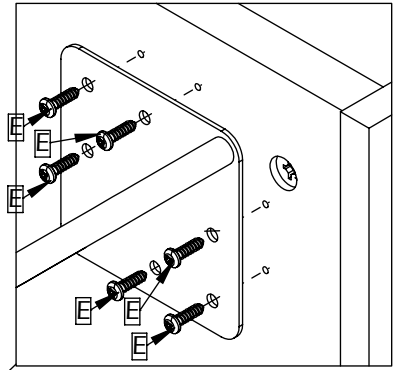
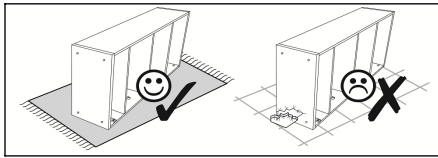


9

E-24x



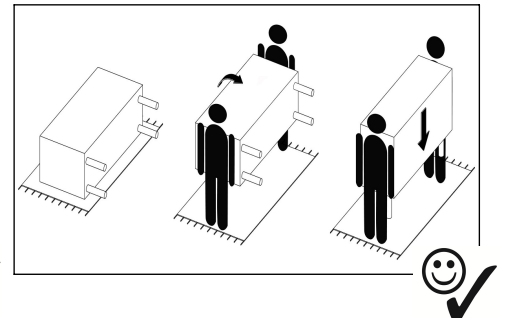
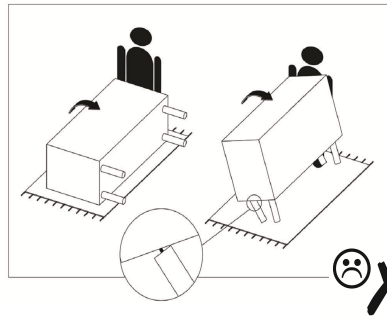
Ø4x16mm



10

F-4x

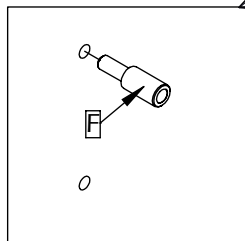
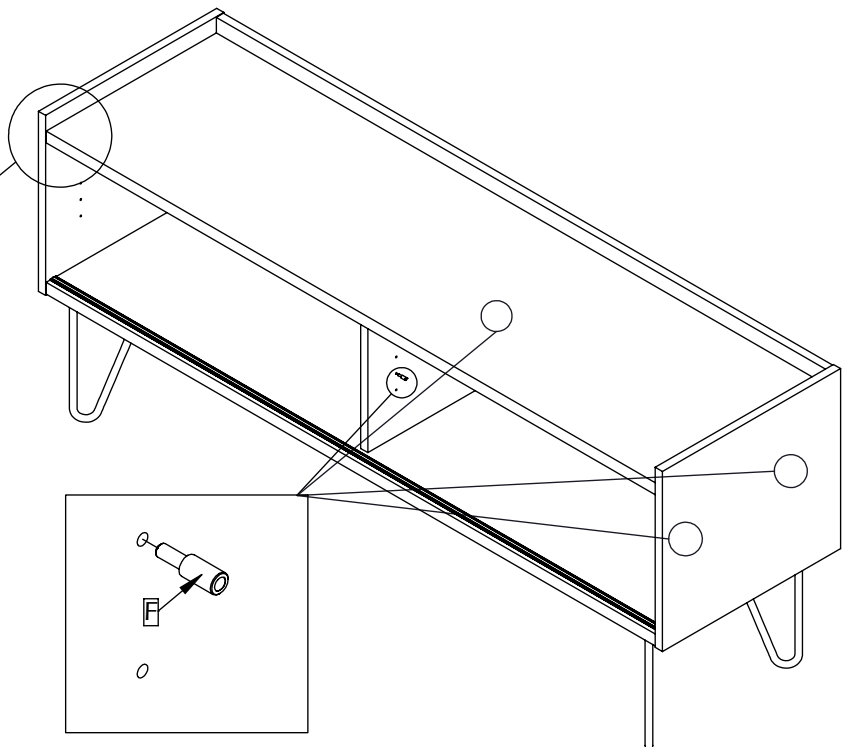
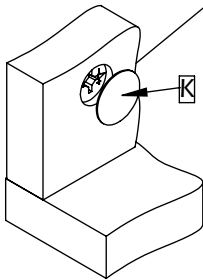
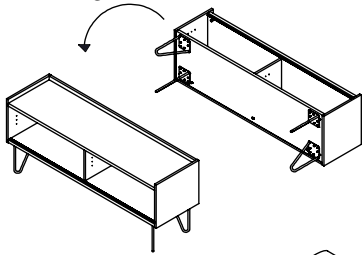
K-10x/8x



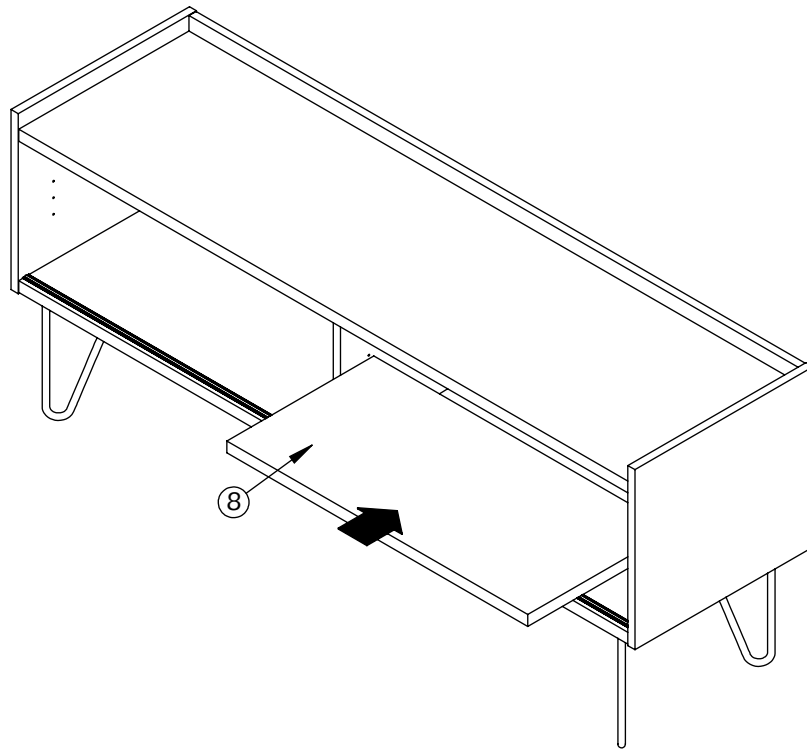
Ø6,5x16mm

Ø20x0,5mm

90°



11



12

G-2x	H-2x	I-8x	J-4x
41x27x23mm	41x29x27mm	∅ 3x12mm	∅ 10x3mm

