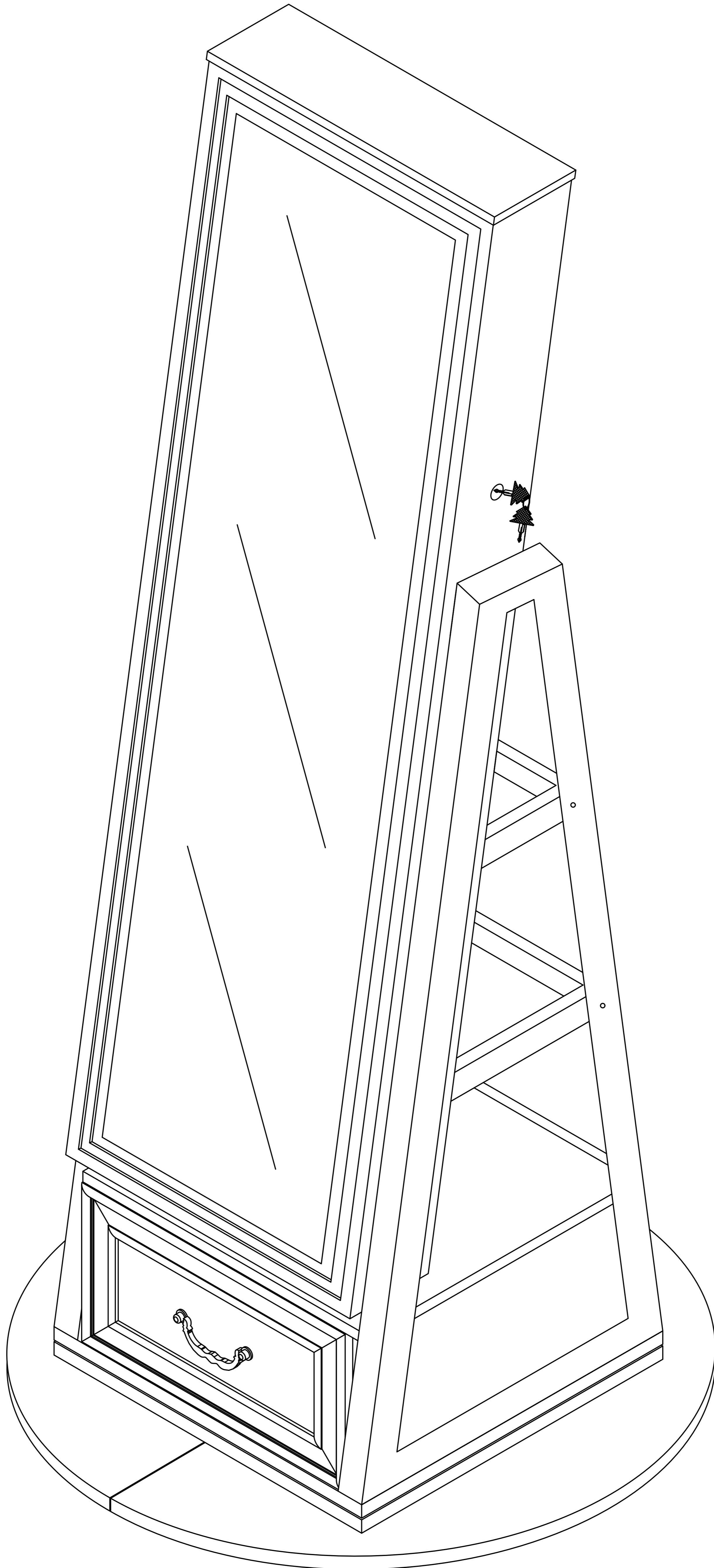
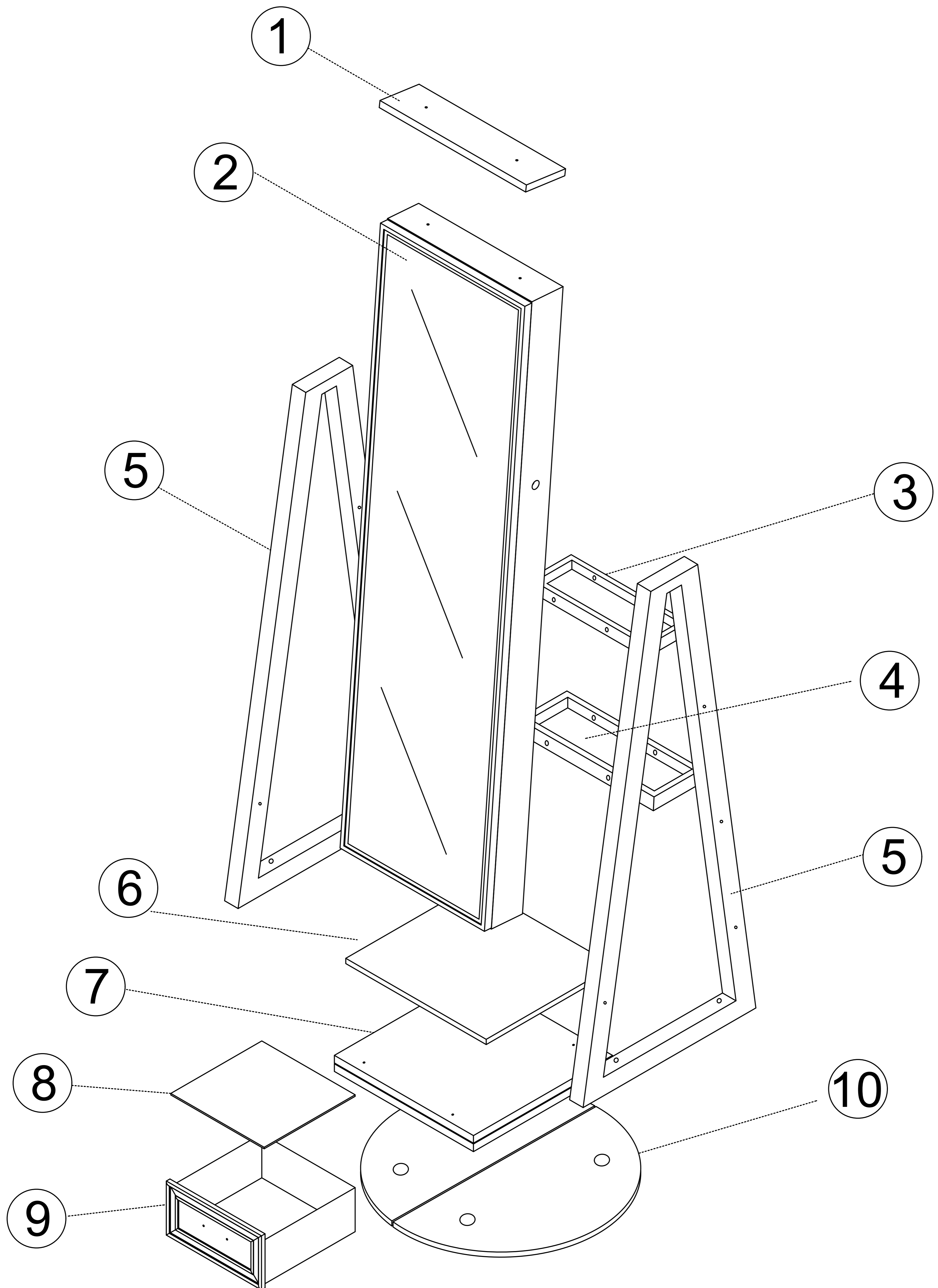


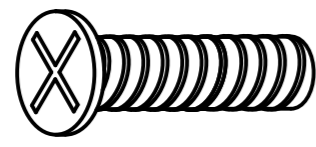
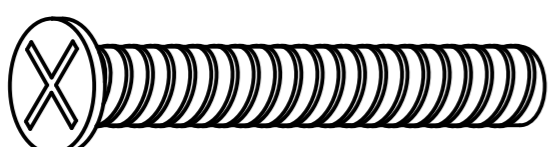
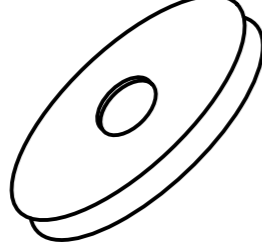
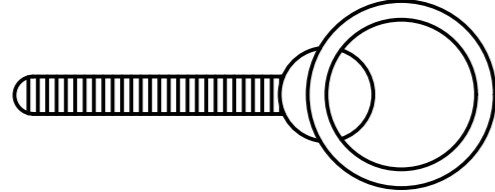
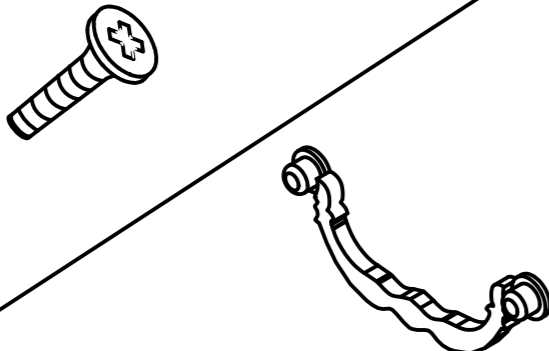
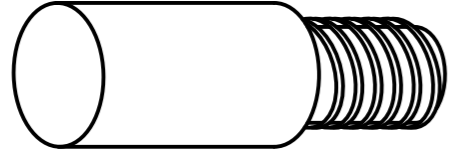
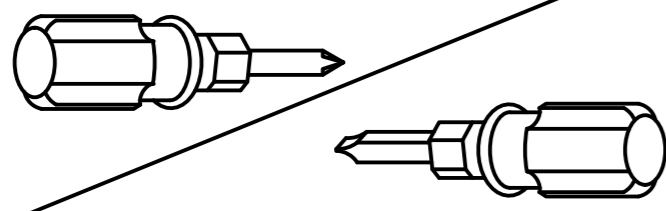
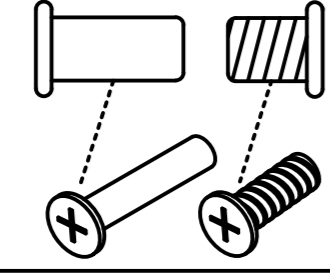
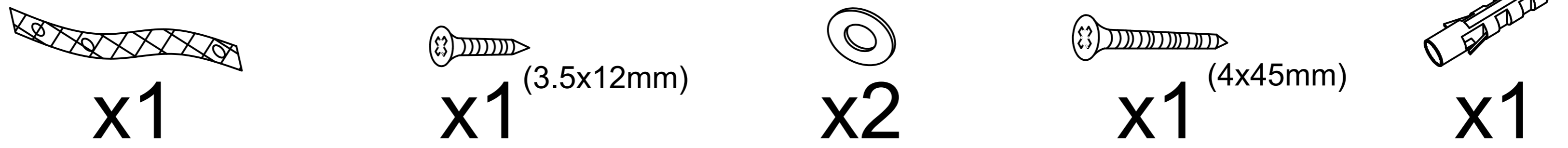
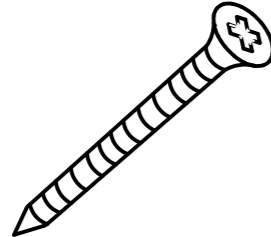
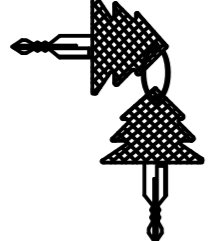
# 67028 MIRROR JEWELLERY CABINET




# Hardware list

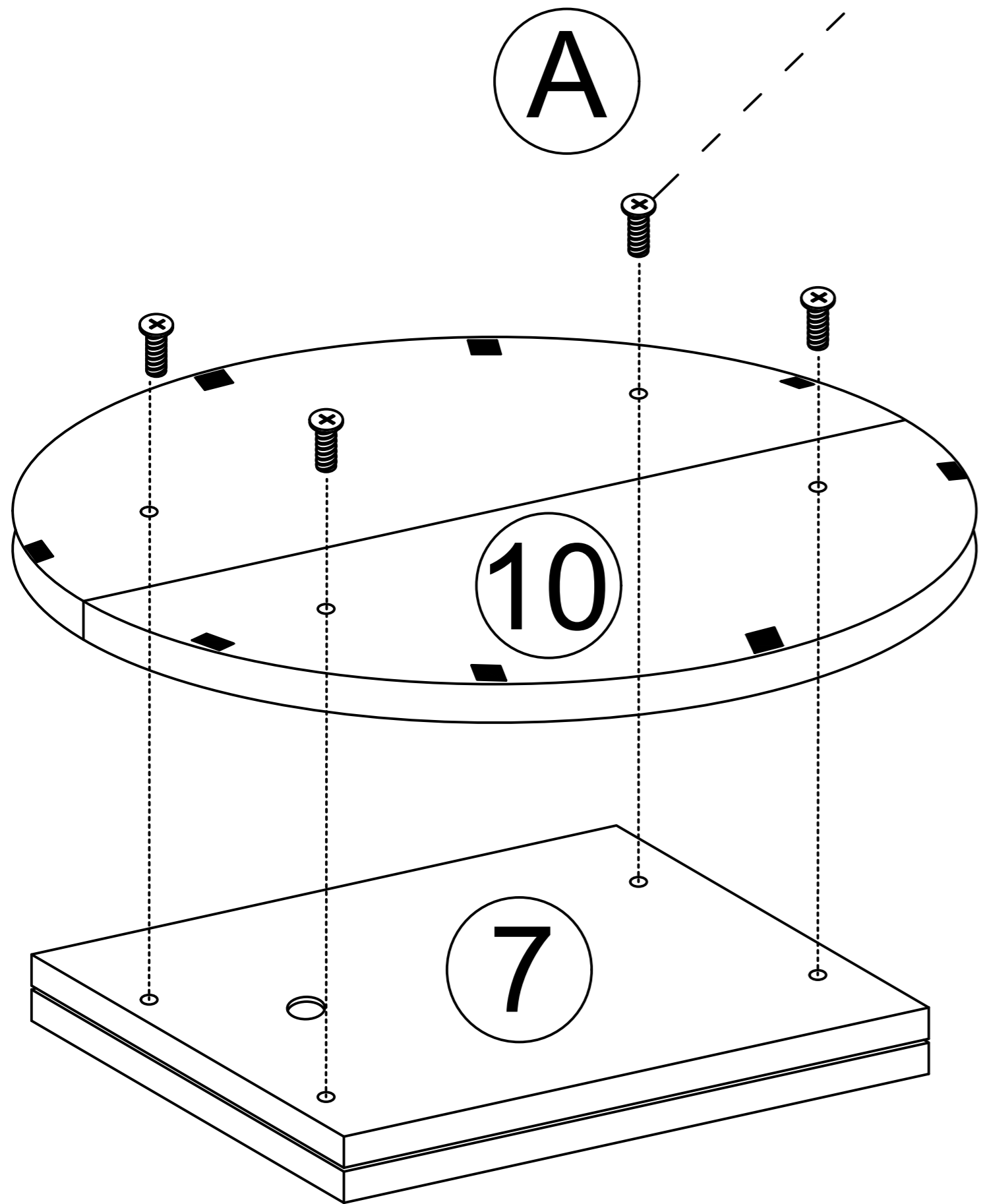
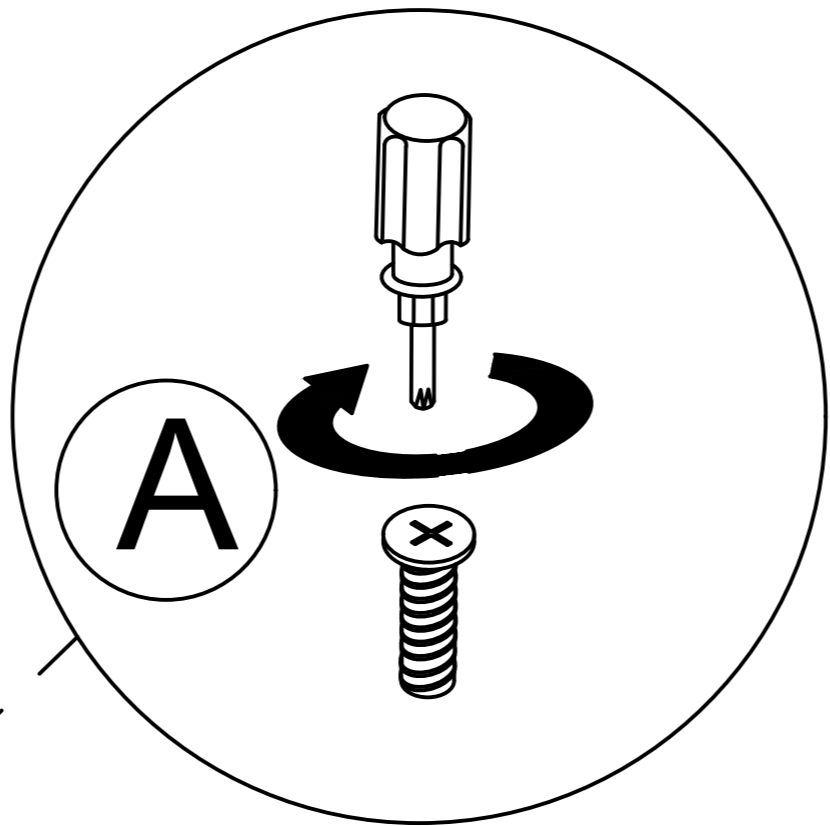


# Accessories list

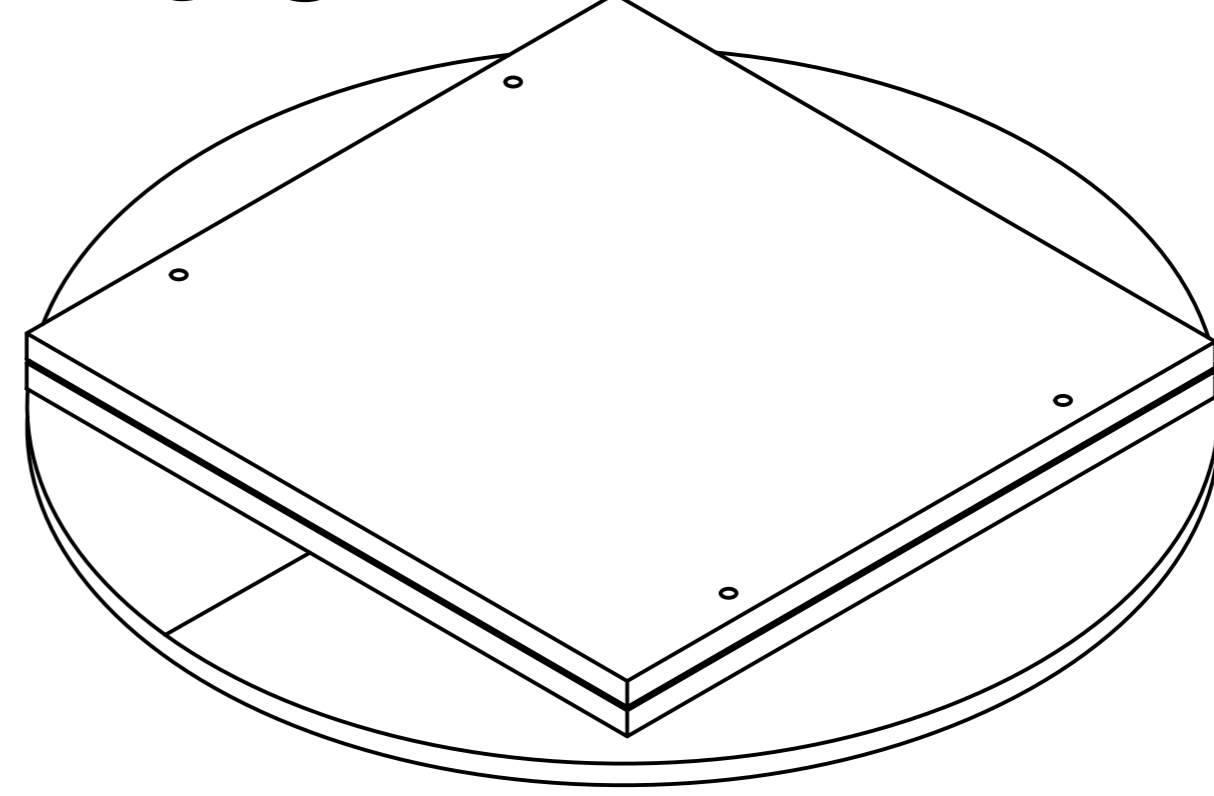
A		Cross nut (6x22mm)	4 Pcs
B		Cross machine wire (6x50mm)	8 Pcs
C		Gasket	2 Pcs
D		Eye-screw (8x30mm)	2 Pcs
E		Handle & Screw (4x16mm)	2 Pcs 1 Pcs
F		Countersunk head tapping screws (8x20mm)	2 Pcs
G		Screwdriver	1 Pcs
H		(Short Type 5*8mm) Cross screw assembly	4 Pcs
I		(Long Type 5*20mm) Cross screw assembly	4 Pcs
J	<p style="text-align: center;">Anti tipping hardware</p> 		
K		Screw (3.5*20mm)	2 Pcs
L		Key	1 Pcs

# Step 1


**A**  (6\*22mm) **X 4**

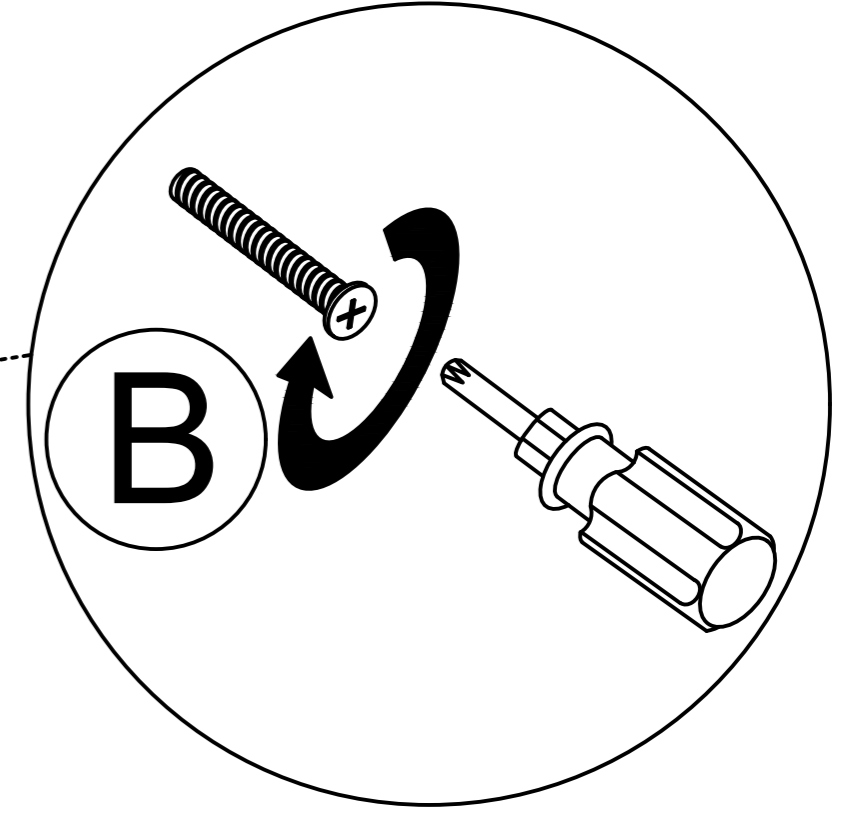
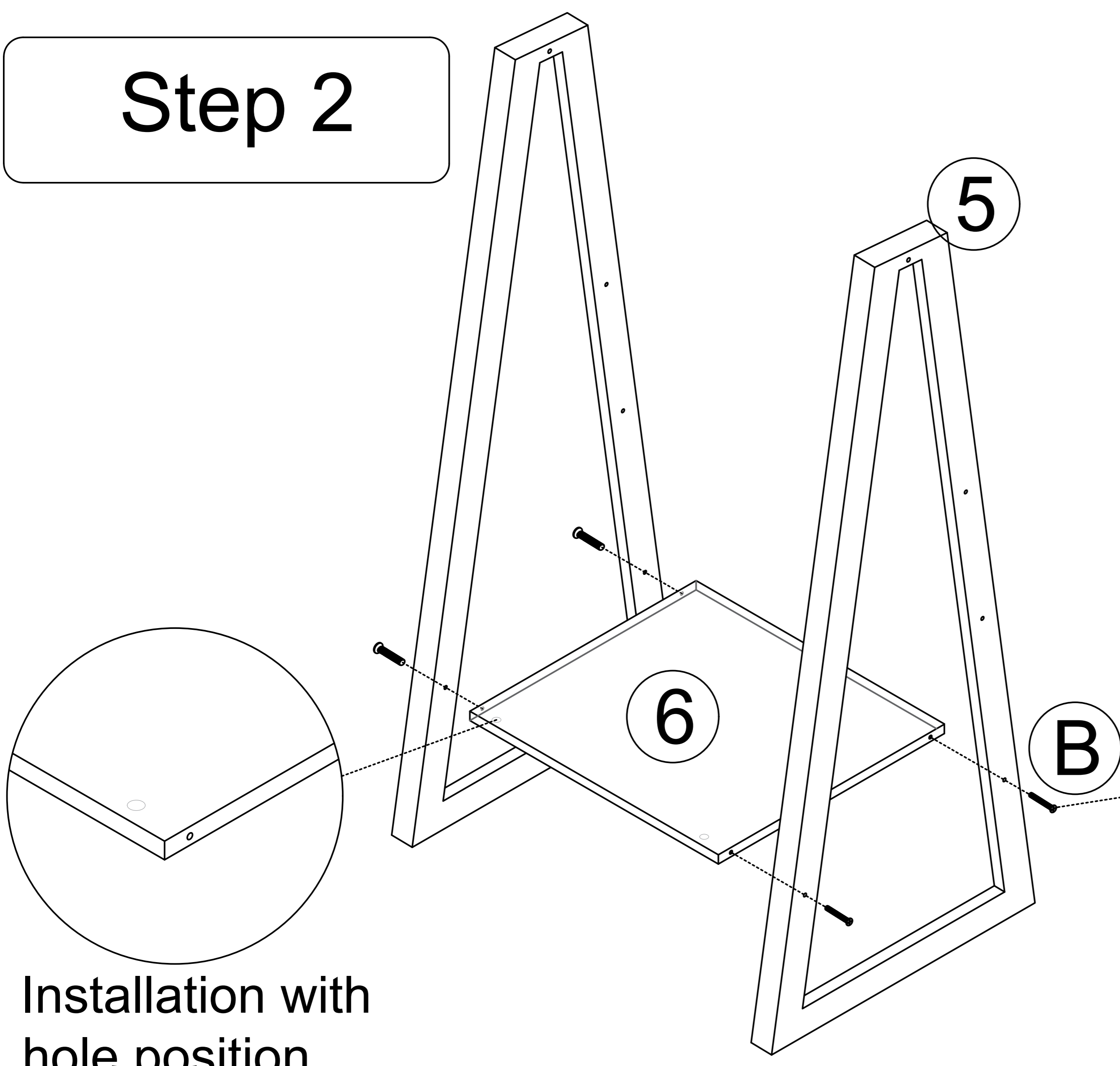


Turn the plank and screw it on




# Step 2

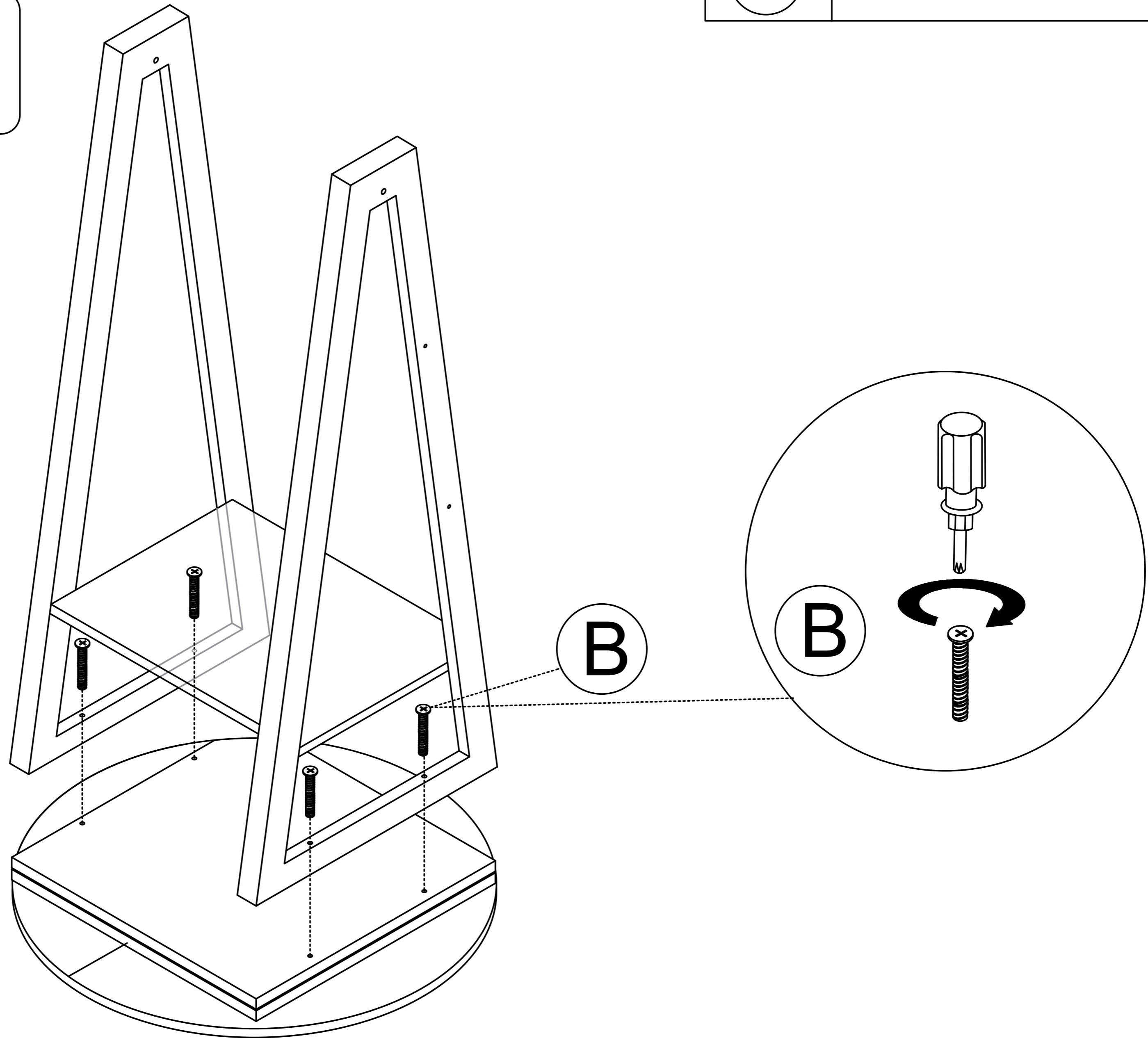
**B**  (6\*50mm) **X 4**



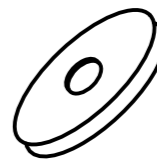
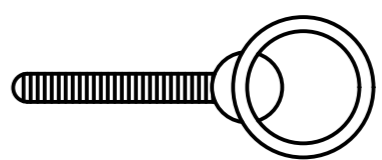
Installation with hole position downward

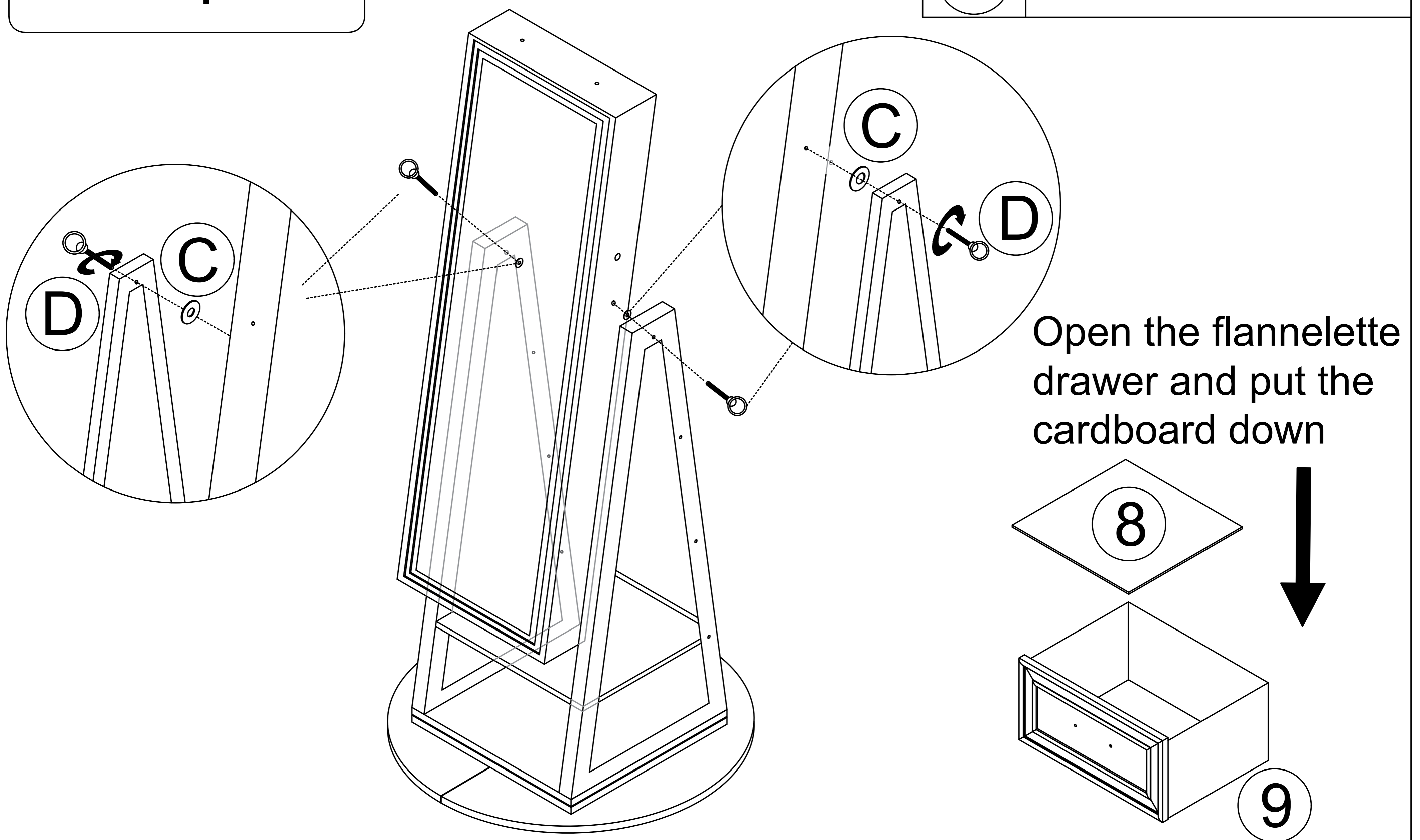
# Step 3

(B)  (6\*50mm) X 4

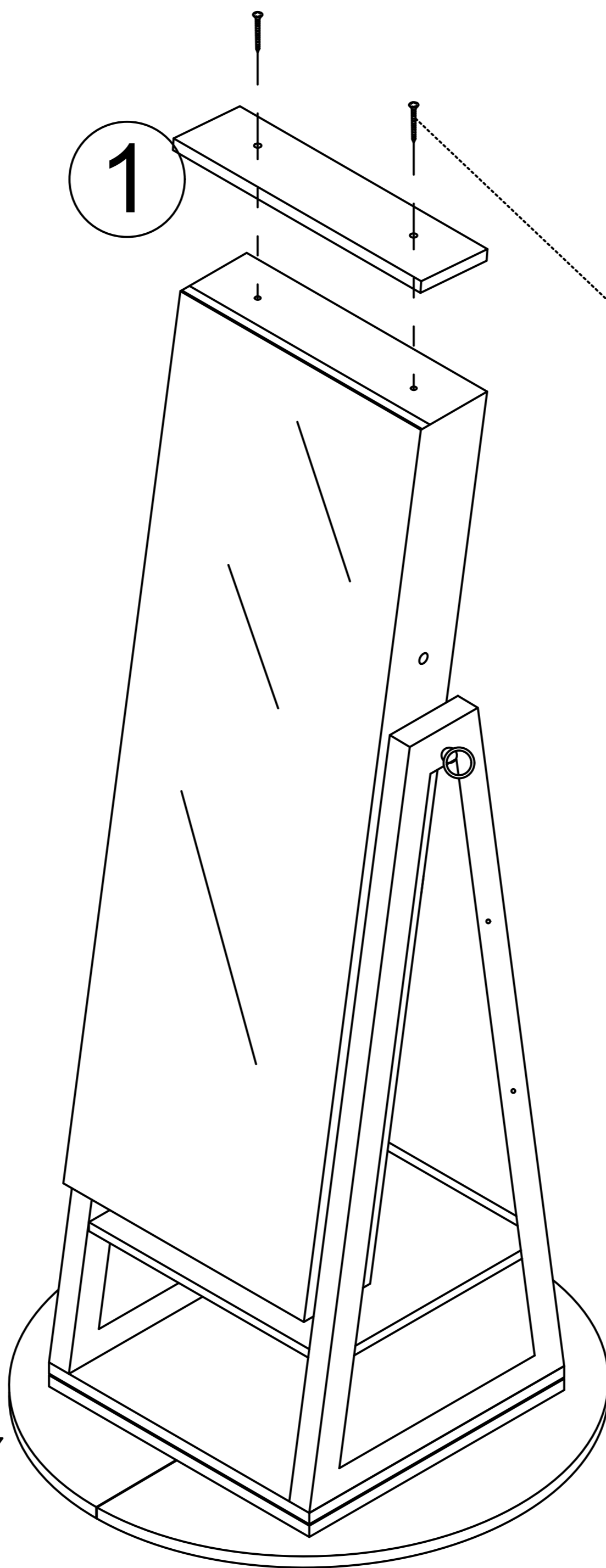
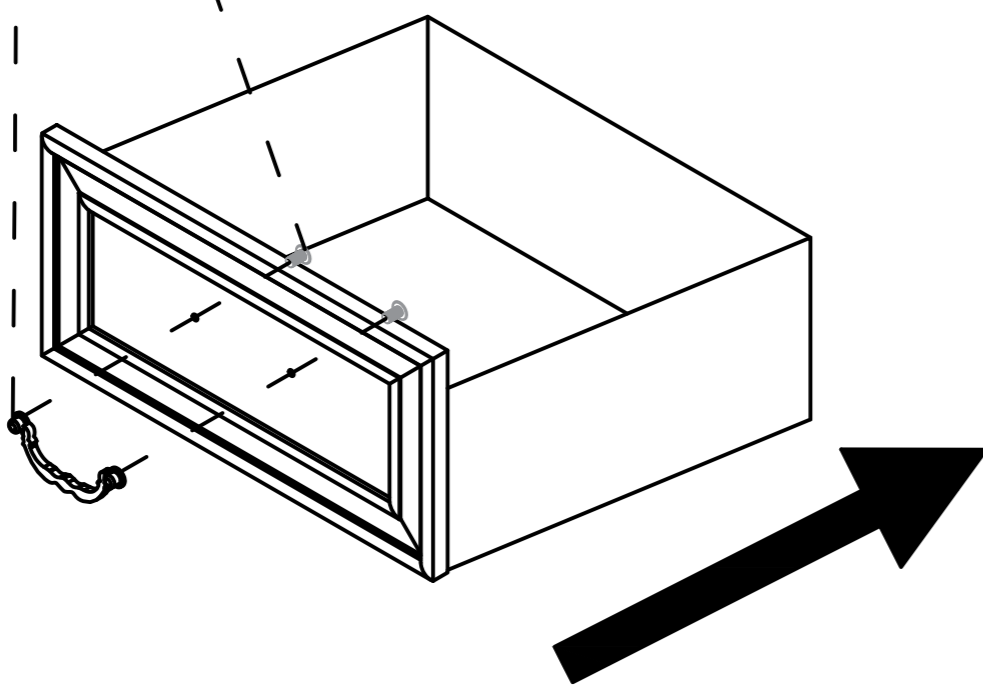
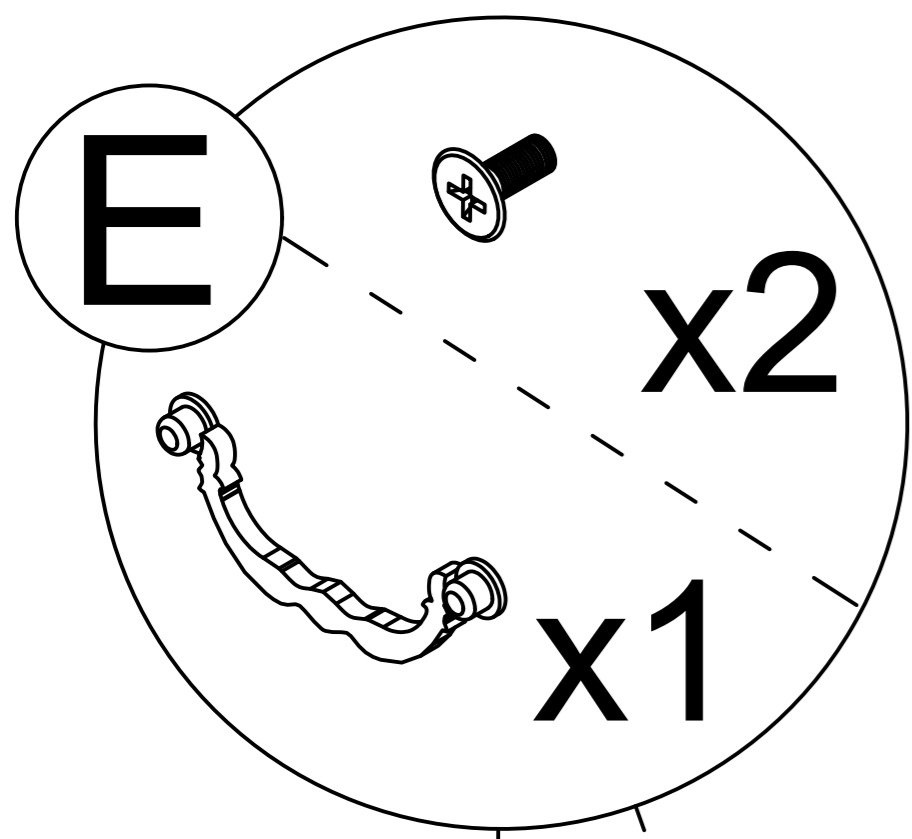


# Step 4

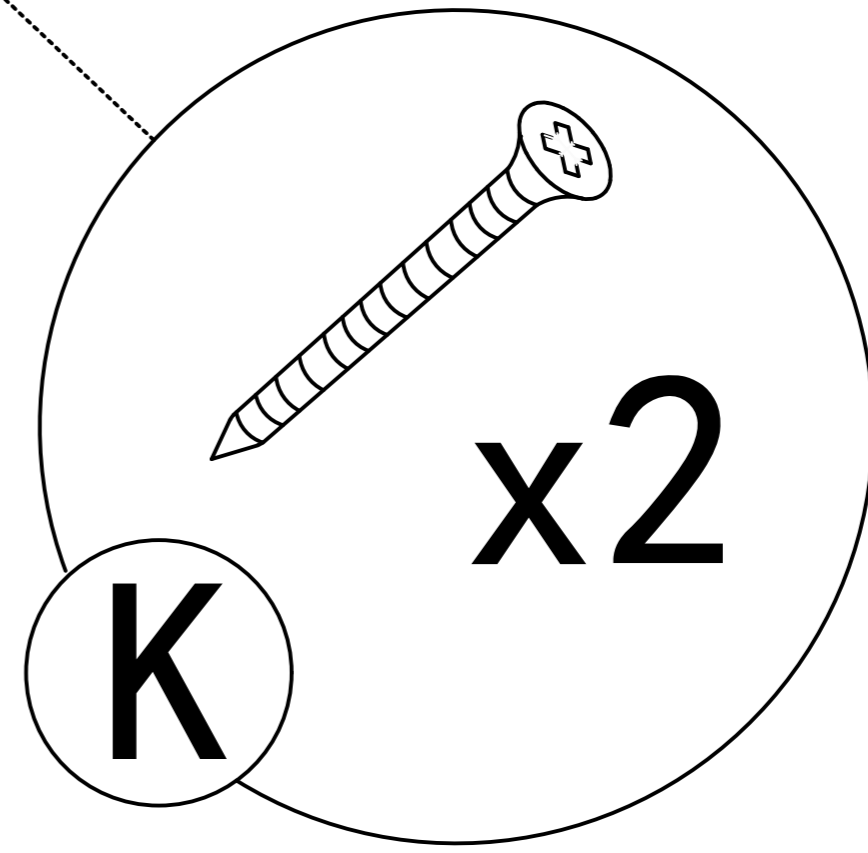
(C)  x 2  
(D)  x 2



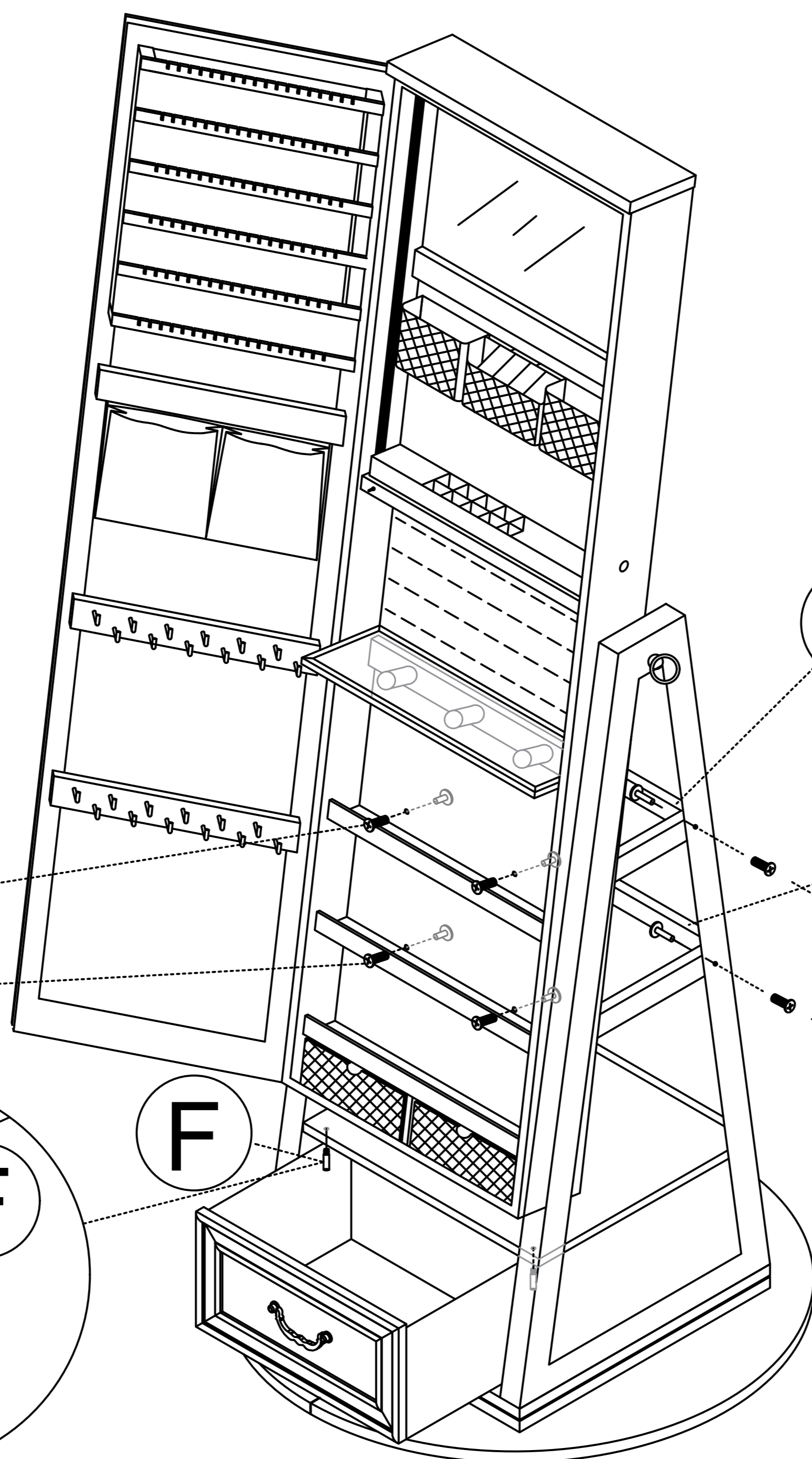
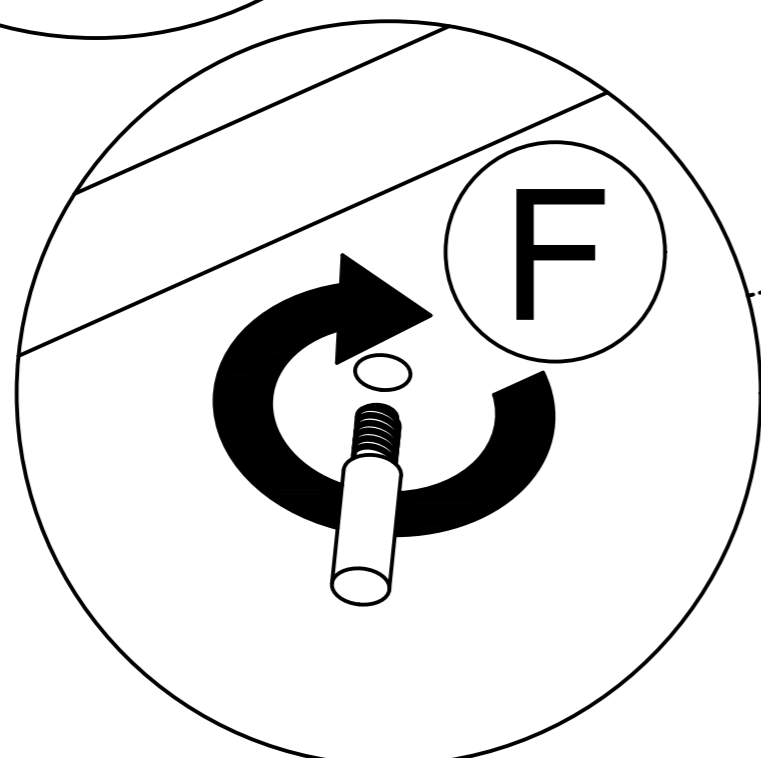
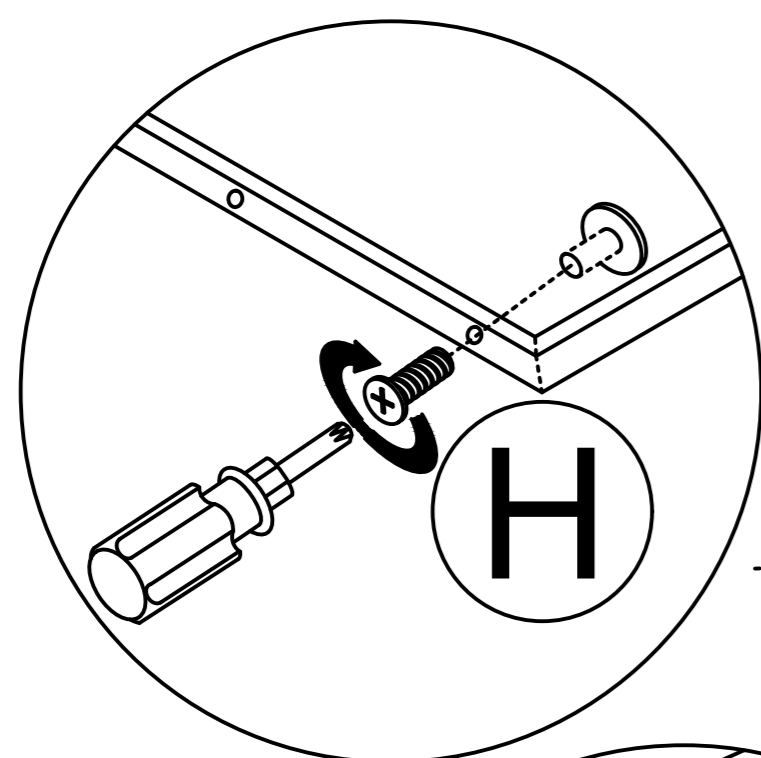
# Step 5



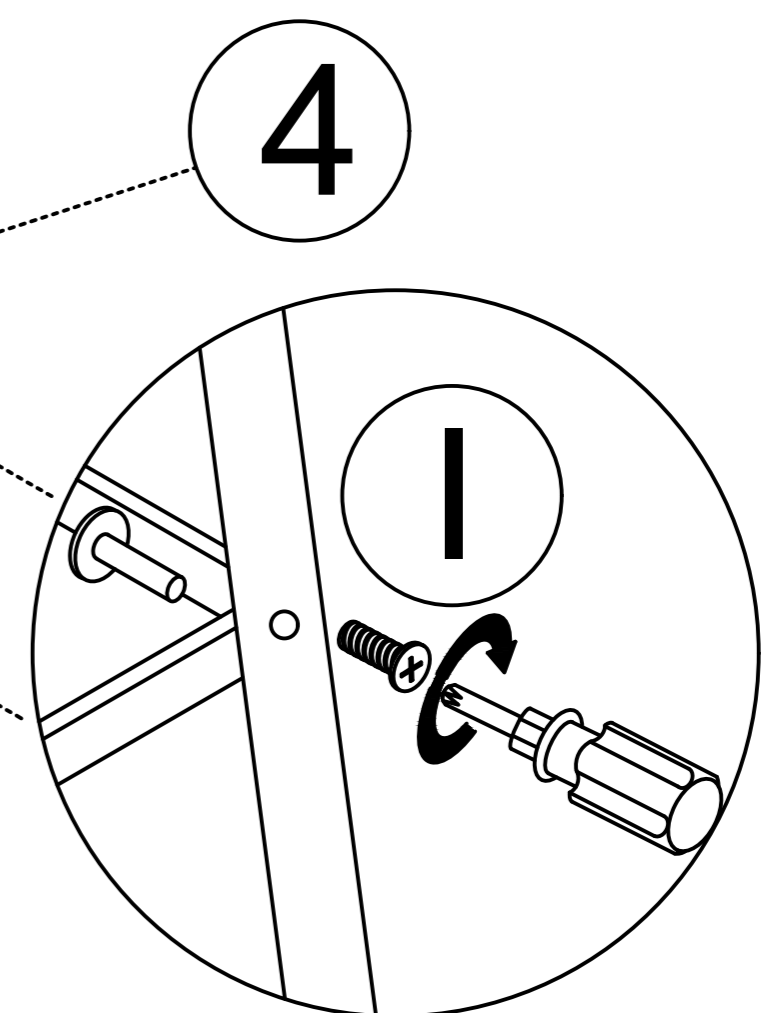
<b>E</b>		x 1
<b>K</b>		x 2



# Step 6

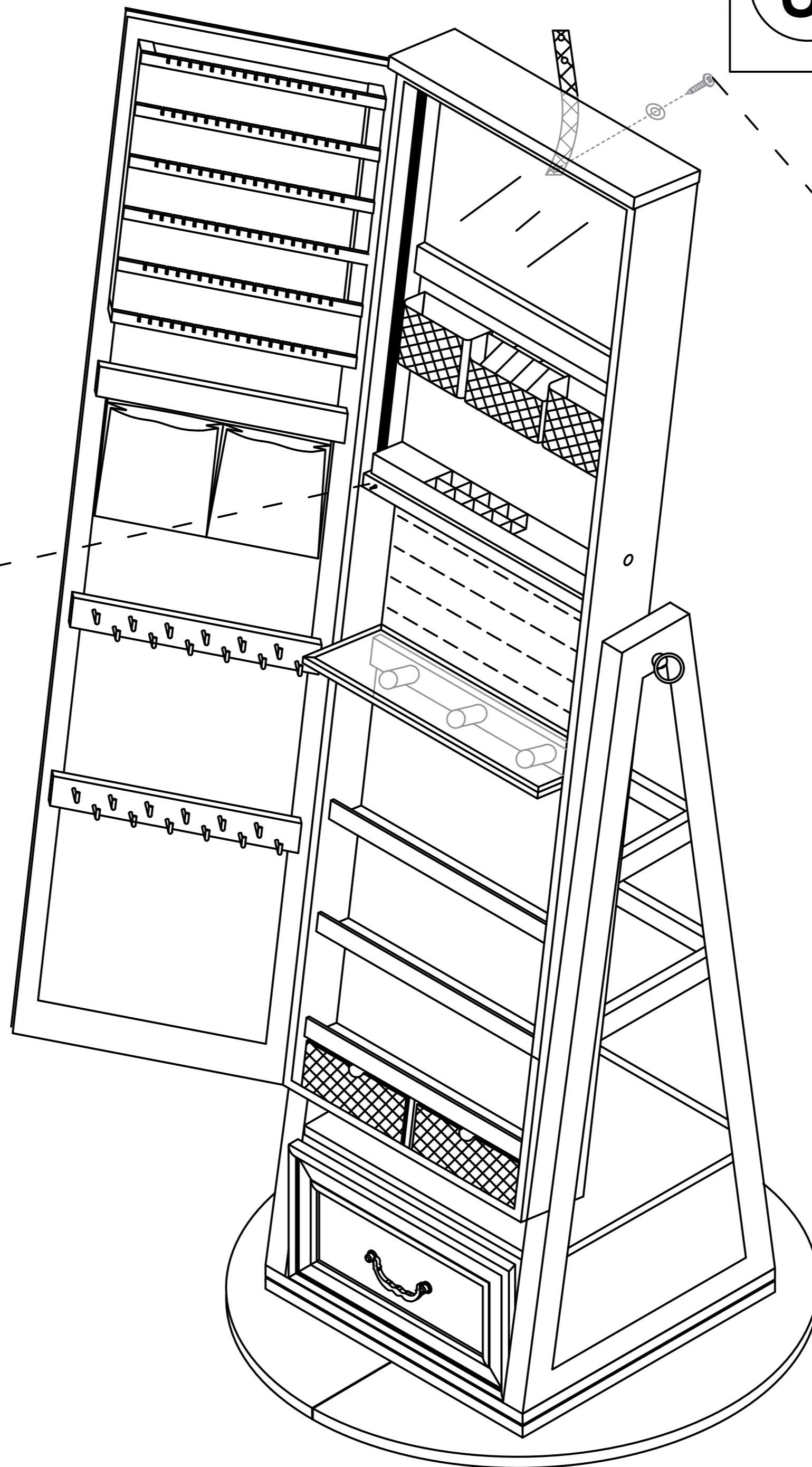
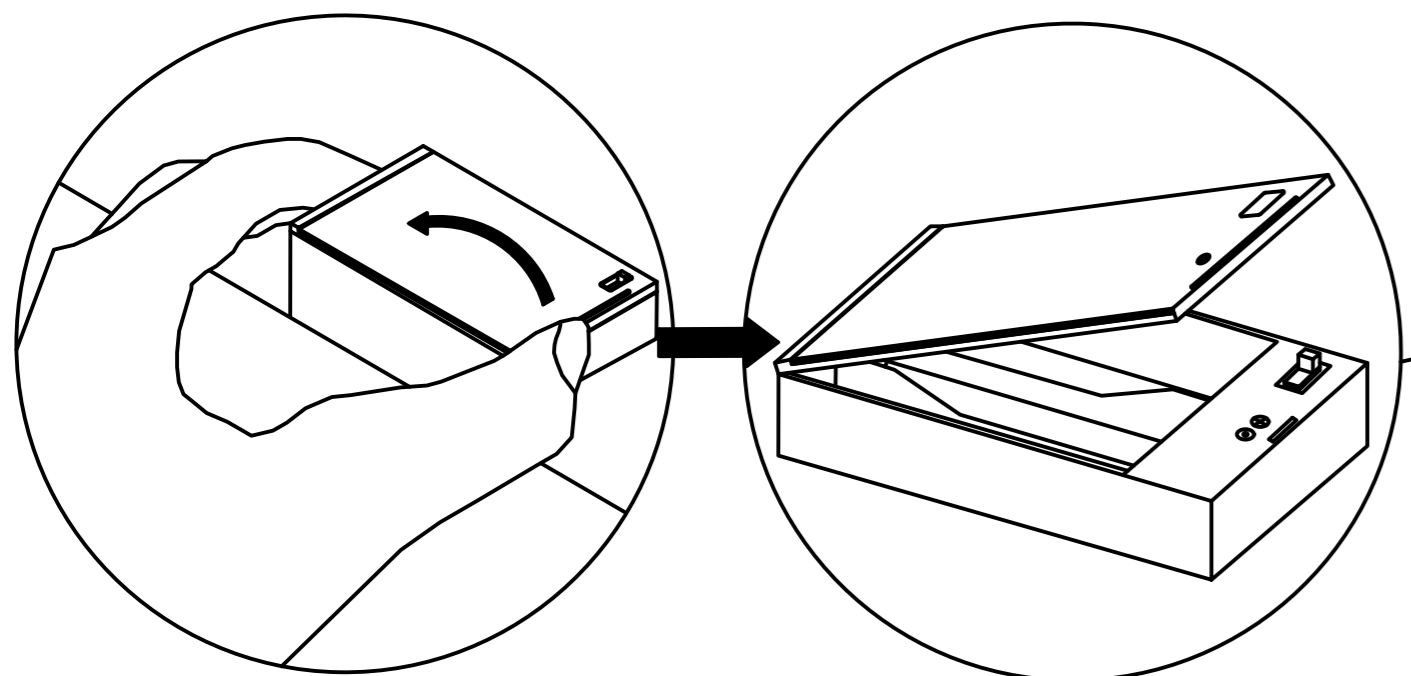


<b>H</b>	(5*8mm)	x 4
<b>I</b>	(5*20mm)	x 4
<b>F</b>		x 2

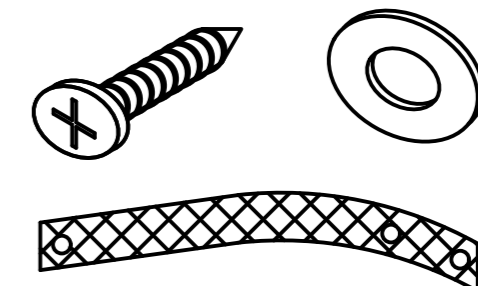


# Step 7

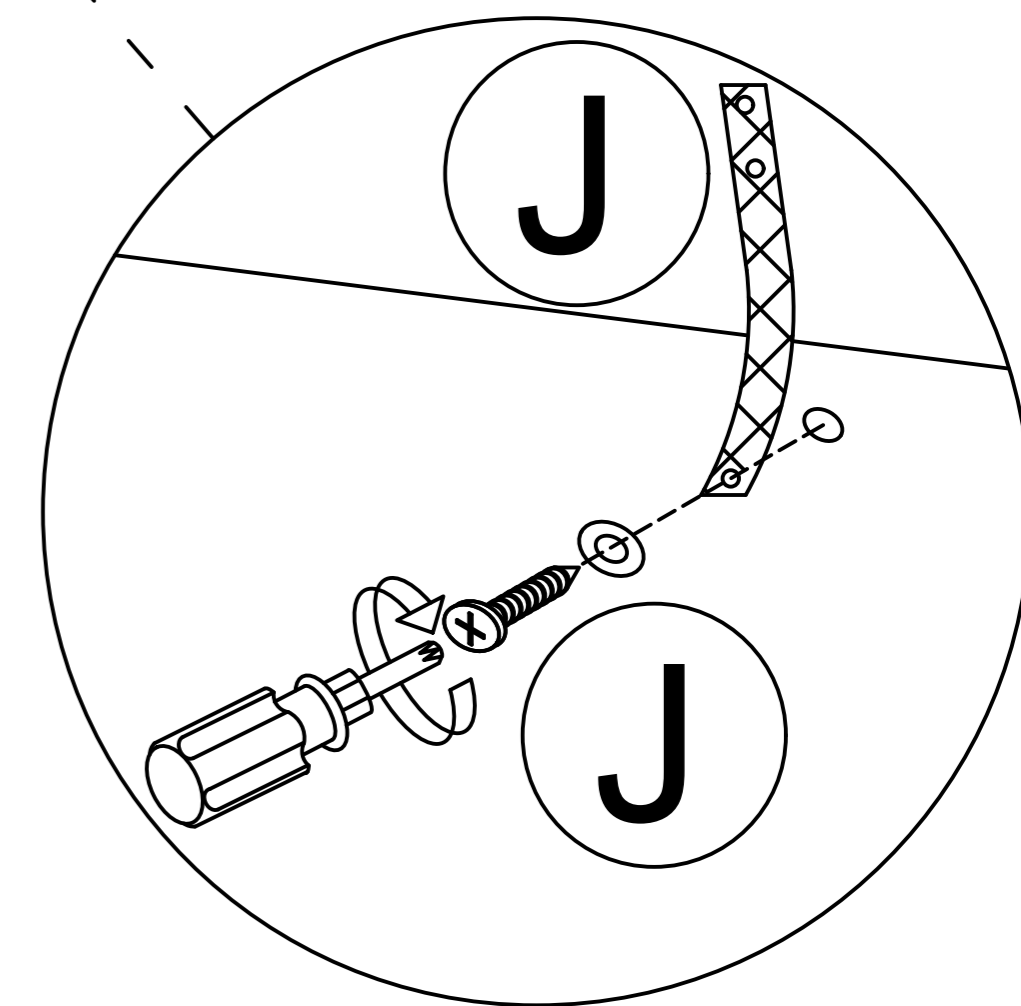
Battery installation  
(Tip: use 3 AA Batteries)



J

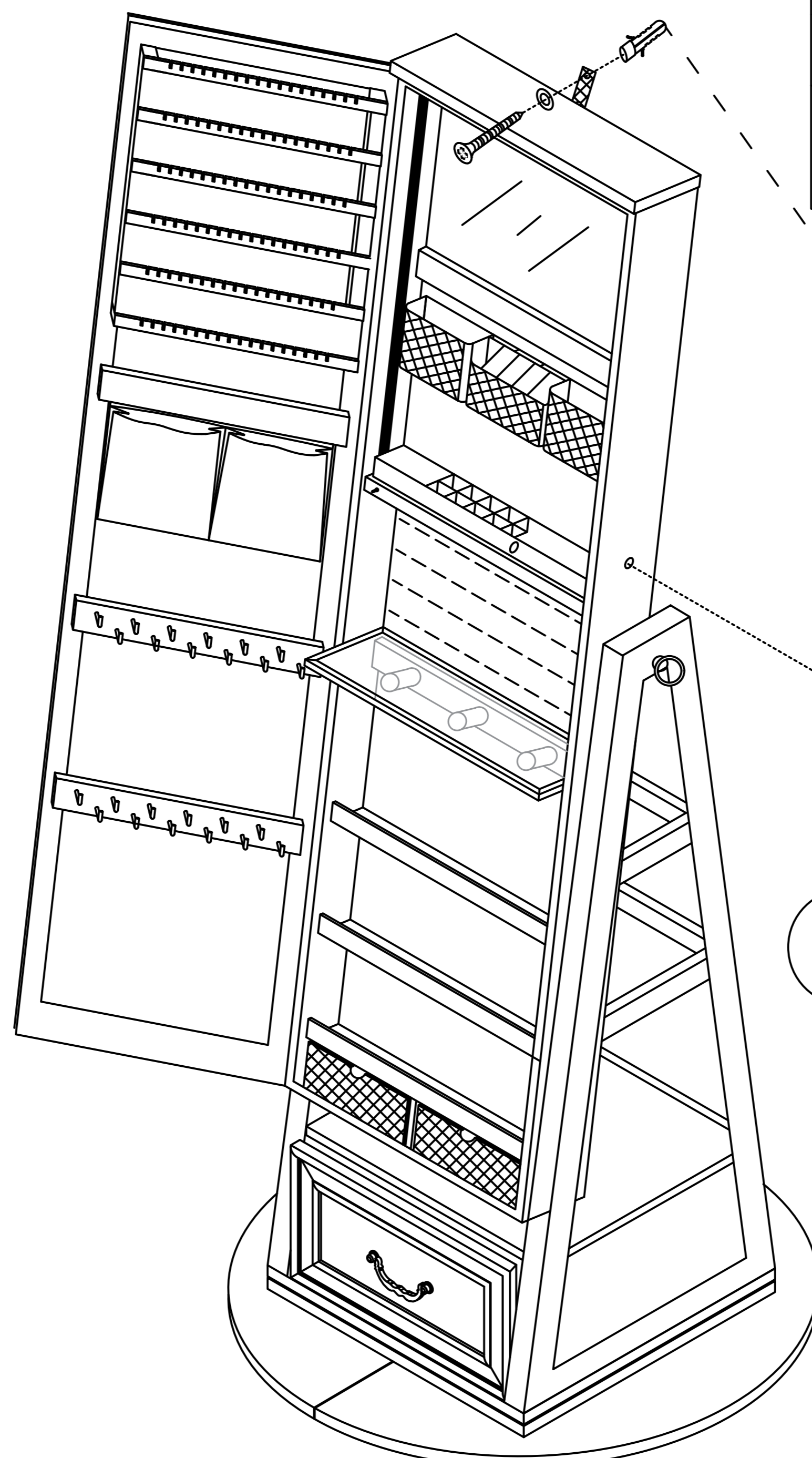
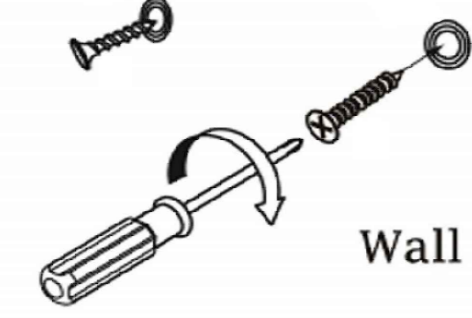
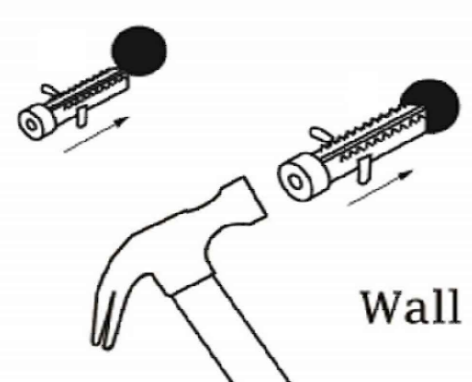
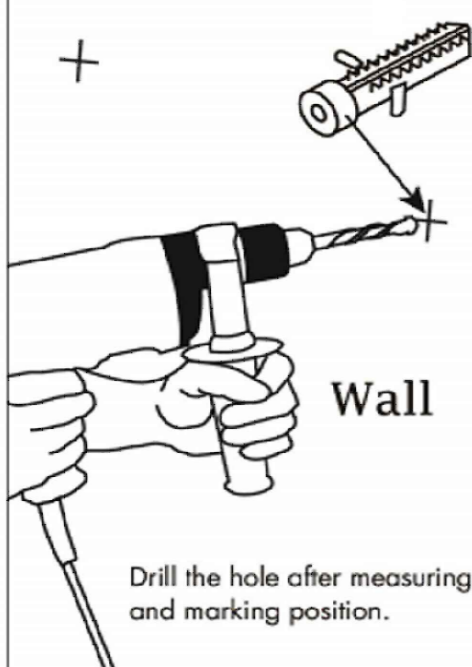


x 1

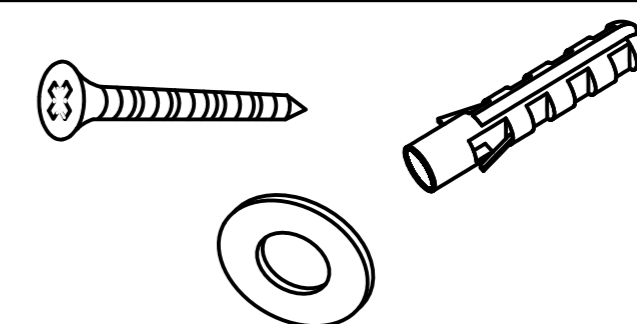


# Step 8

Wall Mount

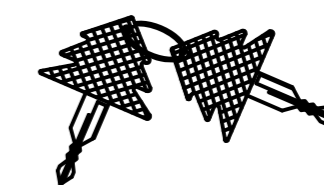


J

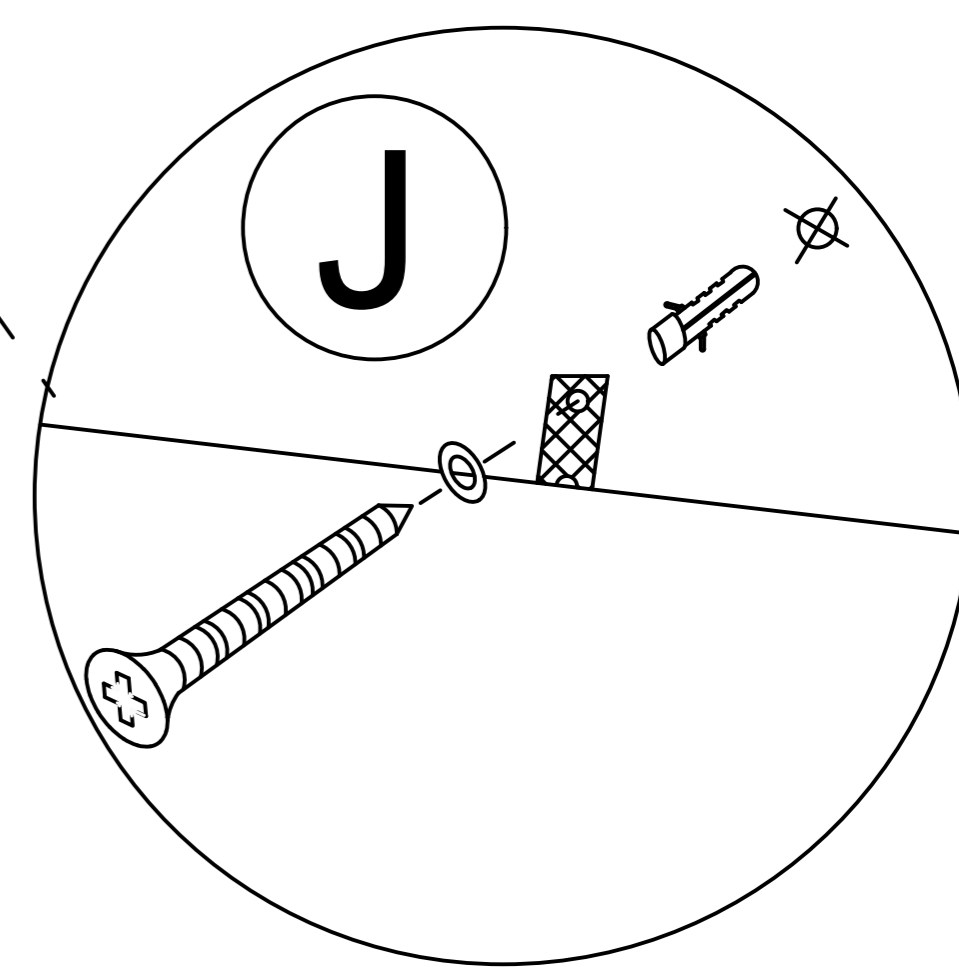


x 1

L



x 1



L