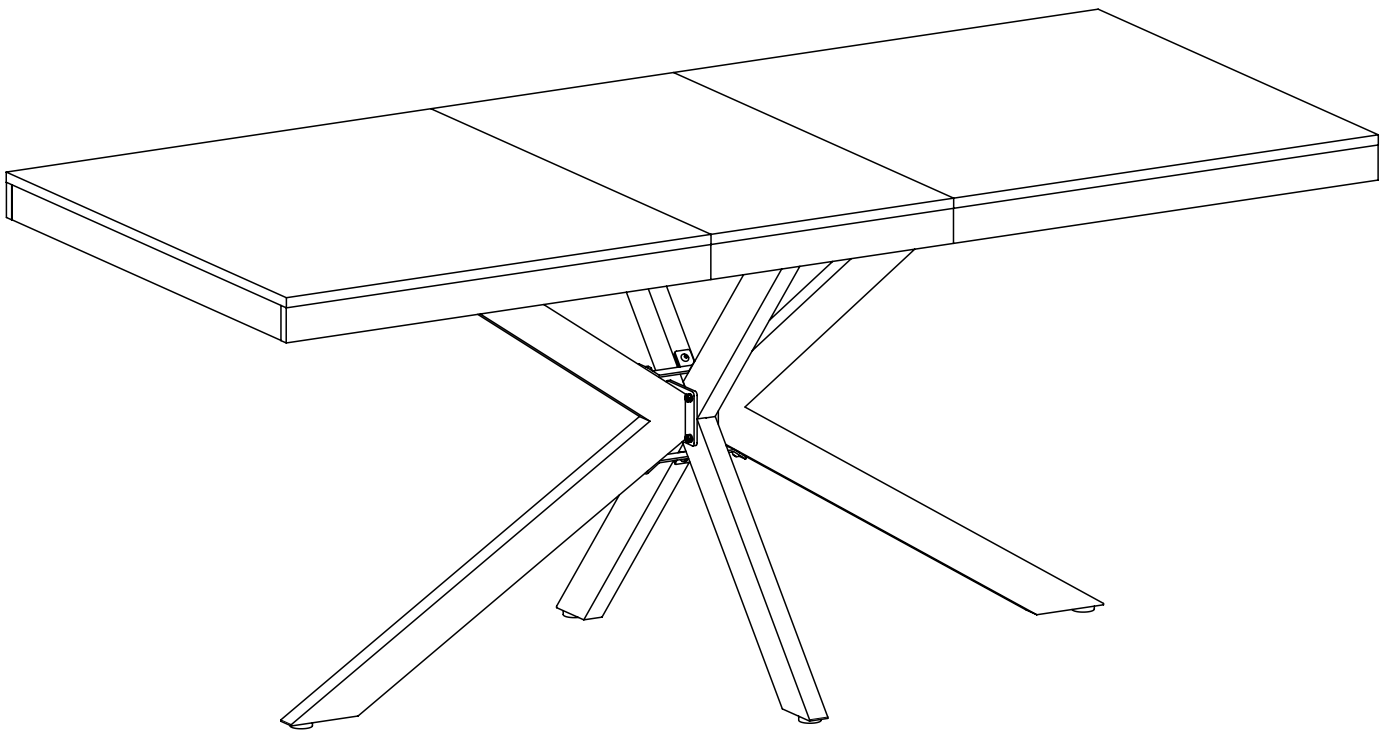


Owner Manual

DINING TABLE



INTRODUCTION

Thank you for choosing the Dining Table. Please read this user manual carefully and keep it for future reference. If you need any assistance, please contact us by email with your order number and details.


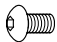






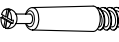


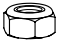
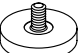





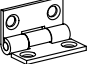

PACKAGE CONTENTS

- 1 x Dining Table
- 1 x Pack of Accessories
- 1 x User Manual

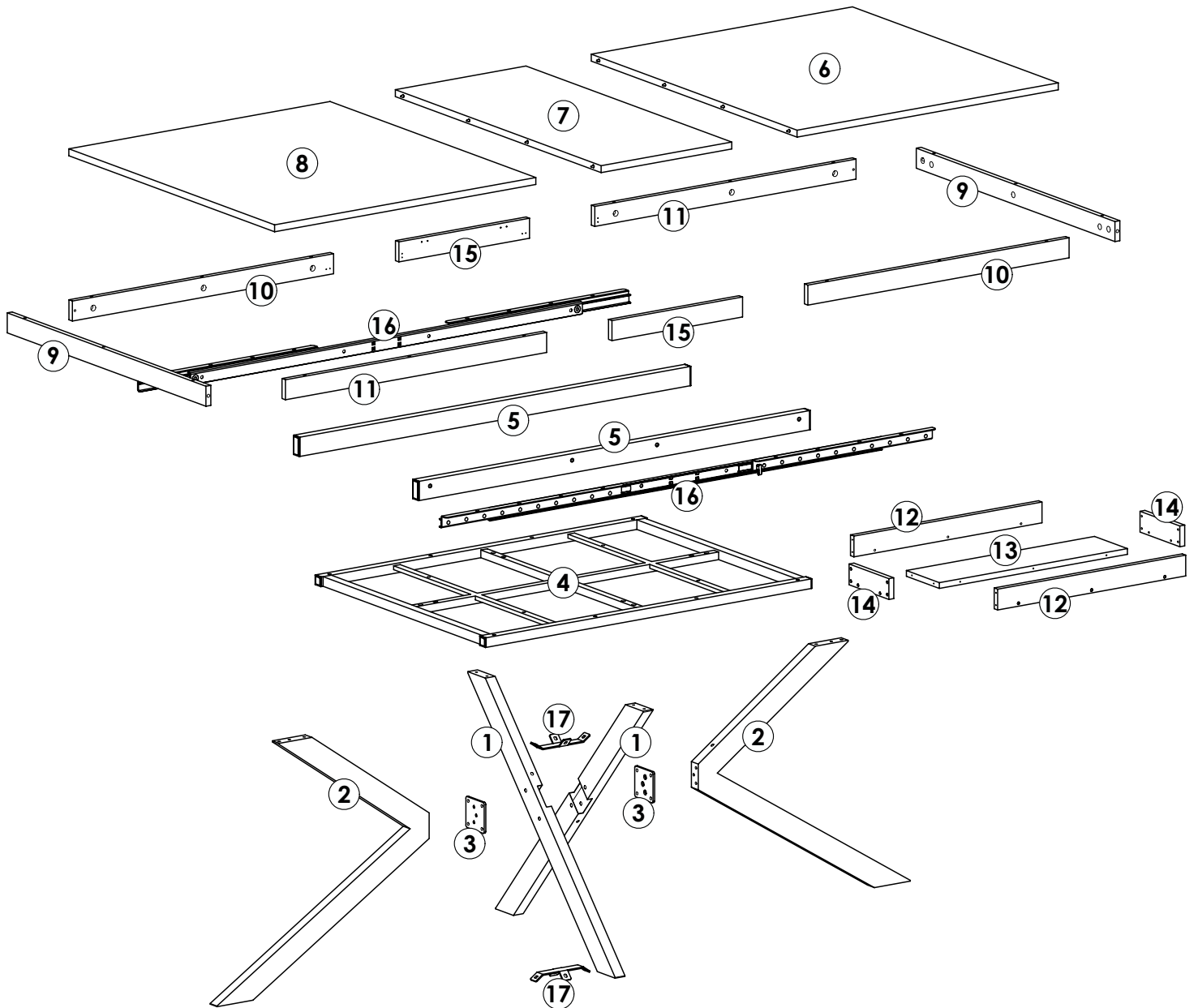
PRODUCT CARE

- Please follow the instruction to assemble this item correctly.
- Don't make the screws be too loose or too tight.
- Please put the screws into the holes' position just as shown in the arrows of the image, and then clockwise rotate 90° or 180°
- More product parts, it is recommended that two people install
- The fittings pack contains small accessories that should be kept away from small children.

HARDWARES LIST

A 6x12mm  x14	B 6x12mm  x24	C 6x20mm  x2	D 6x35mm  x8	E 6x50mm  x4	F 6x30mm  x8
G 3x14mm  x16	H 4x35mm  x18	J 6x35mm  x22	K 15x12mm  x22	L  x4	M  x4
N 30mm  x4	P 10mm  x1	Q  x2	R  x4	S 15mm  x6	T 4x14mm  x16
		U  x4	V 30mm  x8		

PARTS LIST



INSTALLATION STEPS

1

x 2

A x6
YOU WILL NEED

2

E x4	L x4	M x4
YOU WILL NEED		

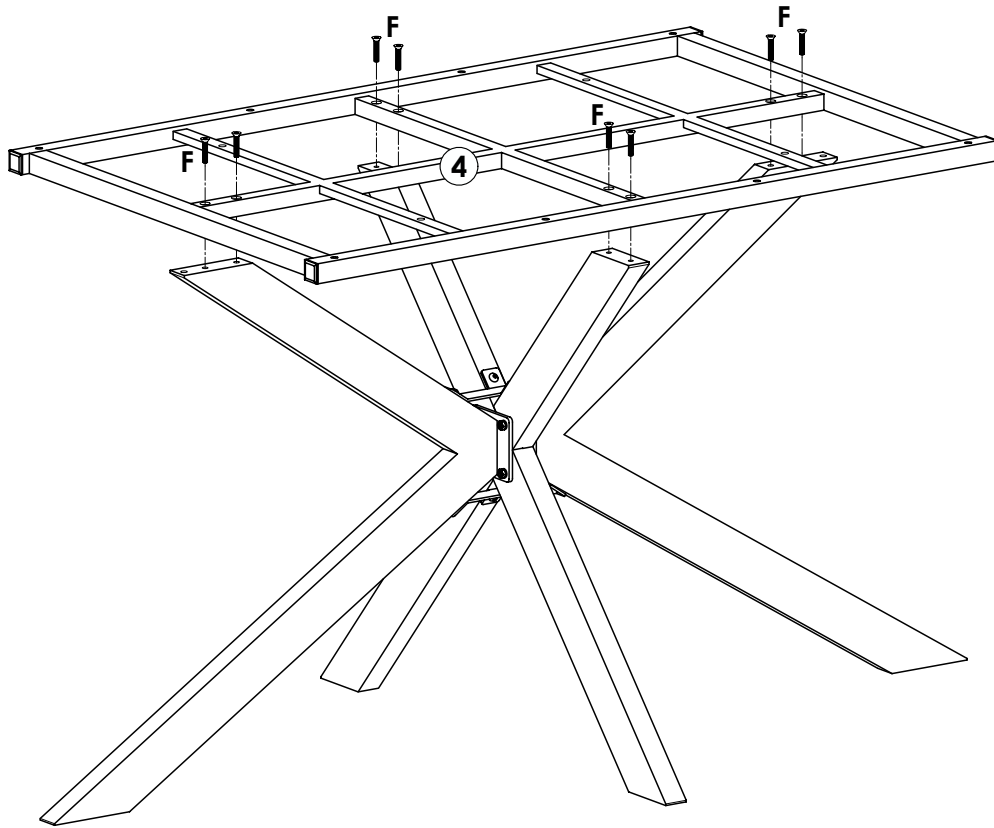
3

B x8
YOU WILL NEED

4

YOU WILL NEED

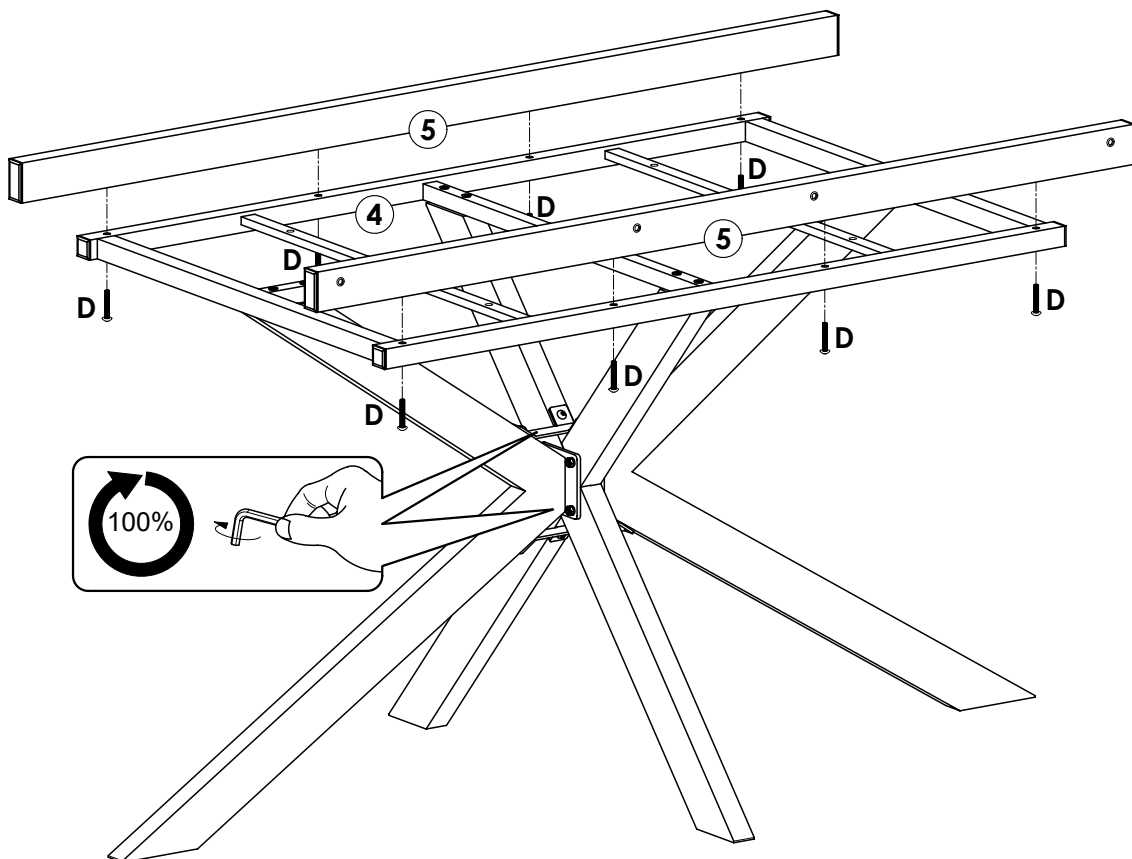
F x8



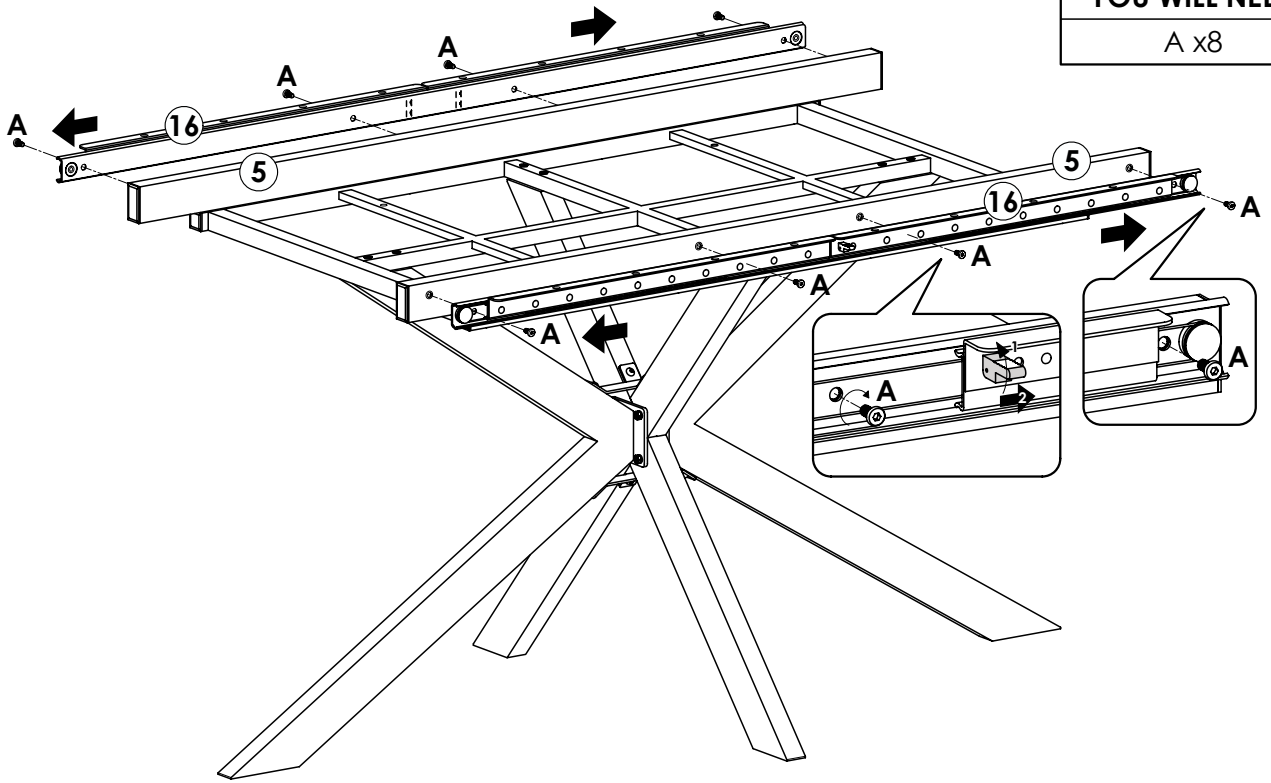
5

YOU WILL NEED

D x8



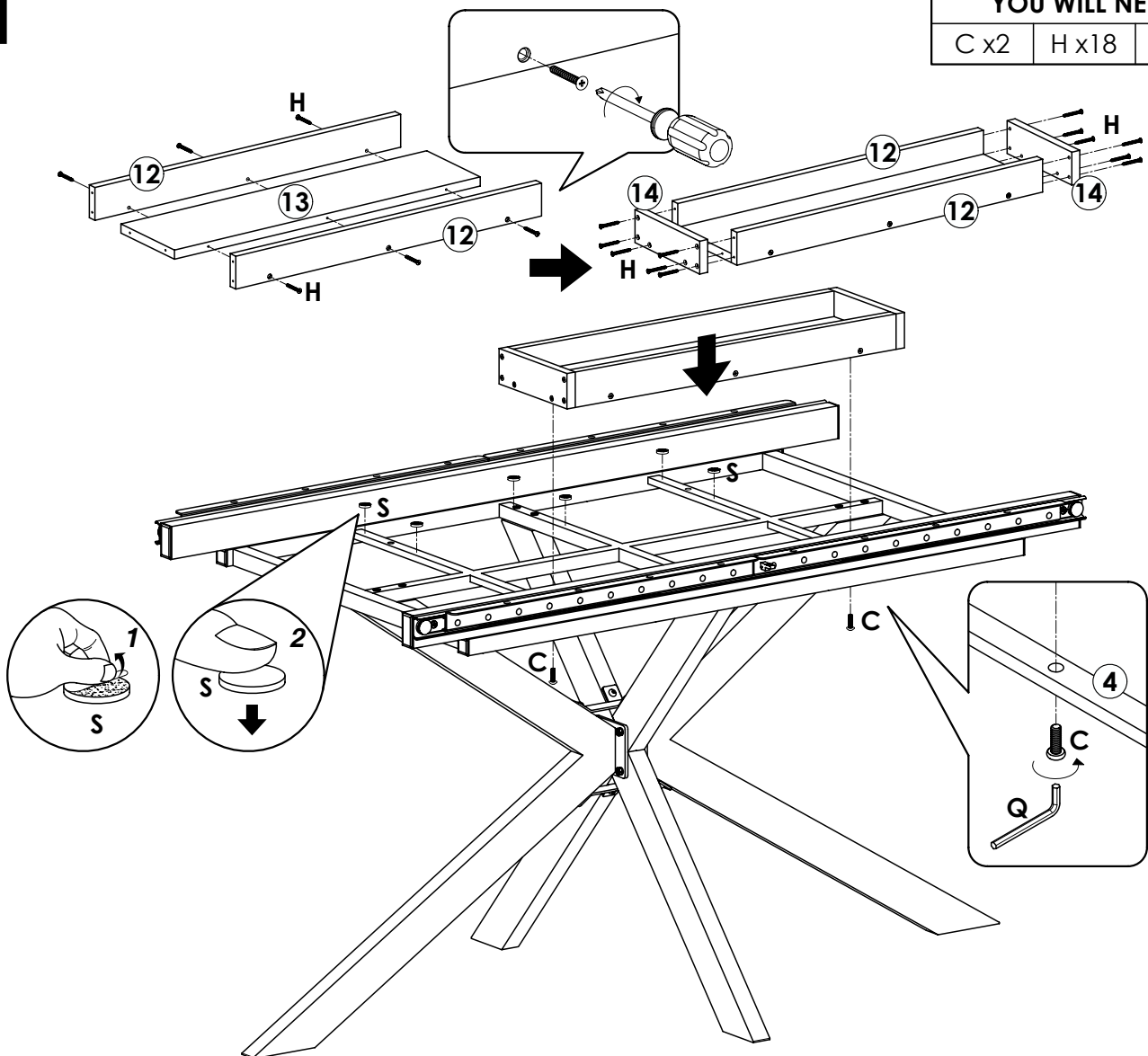
6



YOU WILL NEED

A x8

7



YOU WILL NEED

C x2

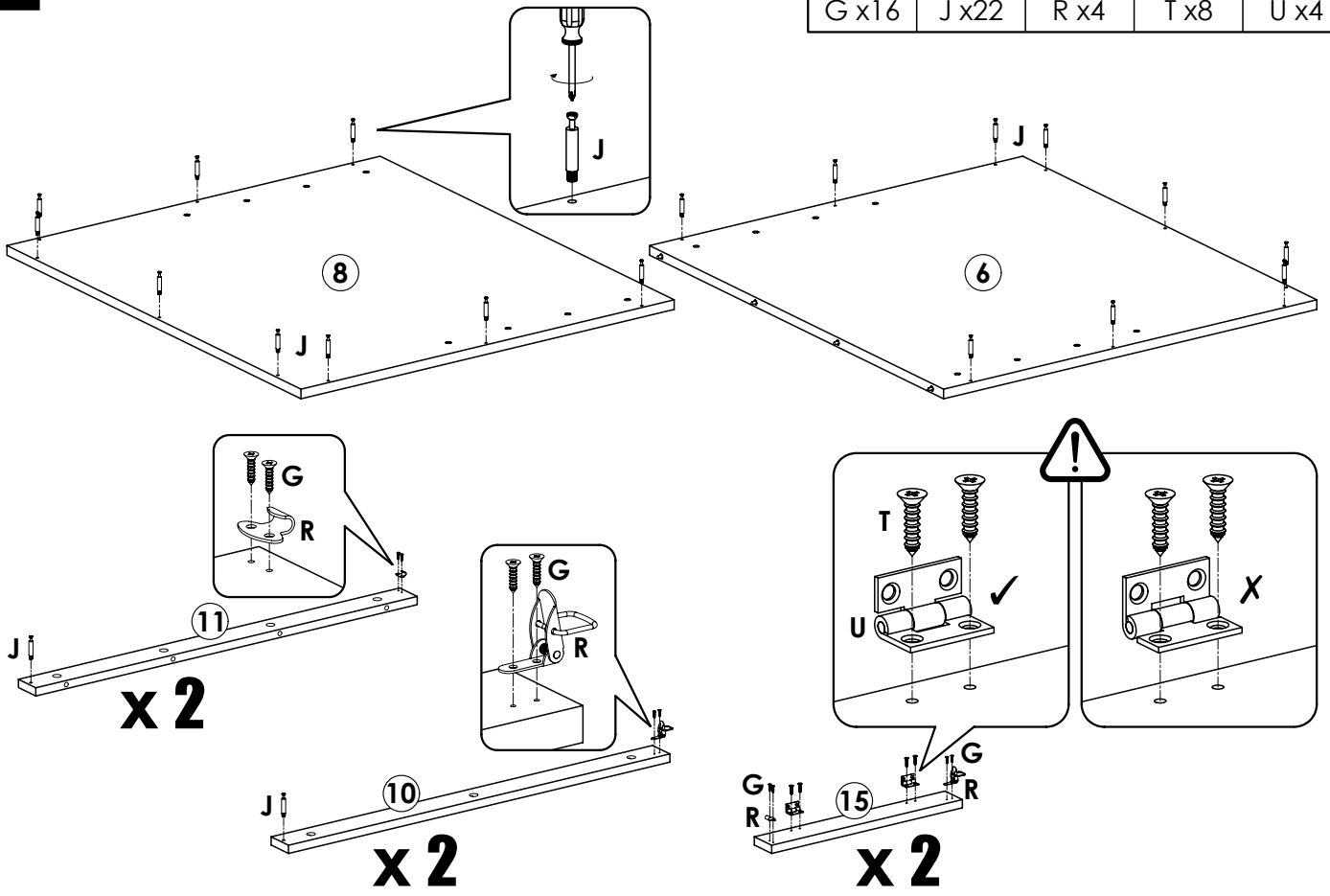
H x18

S x6

8

YOU WILL NEED

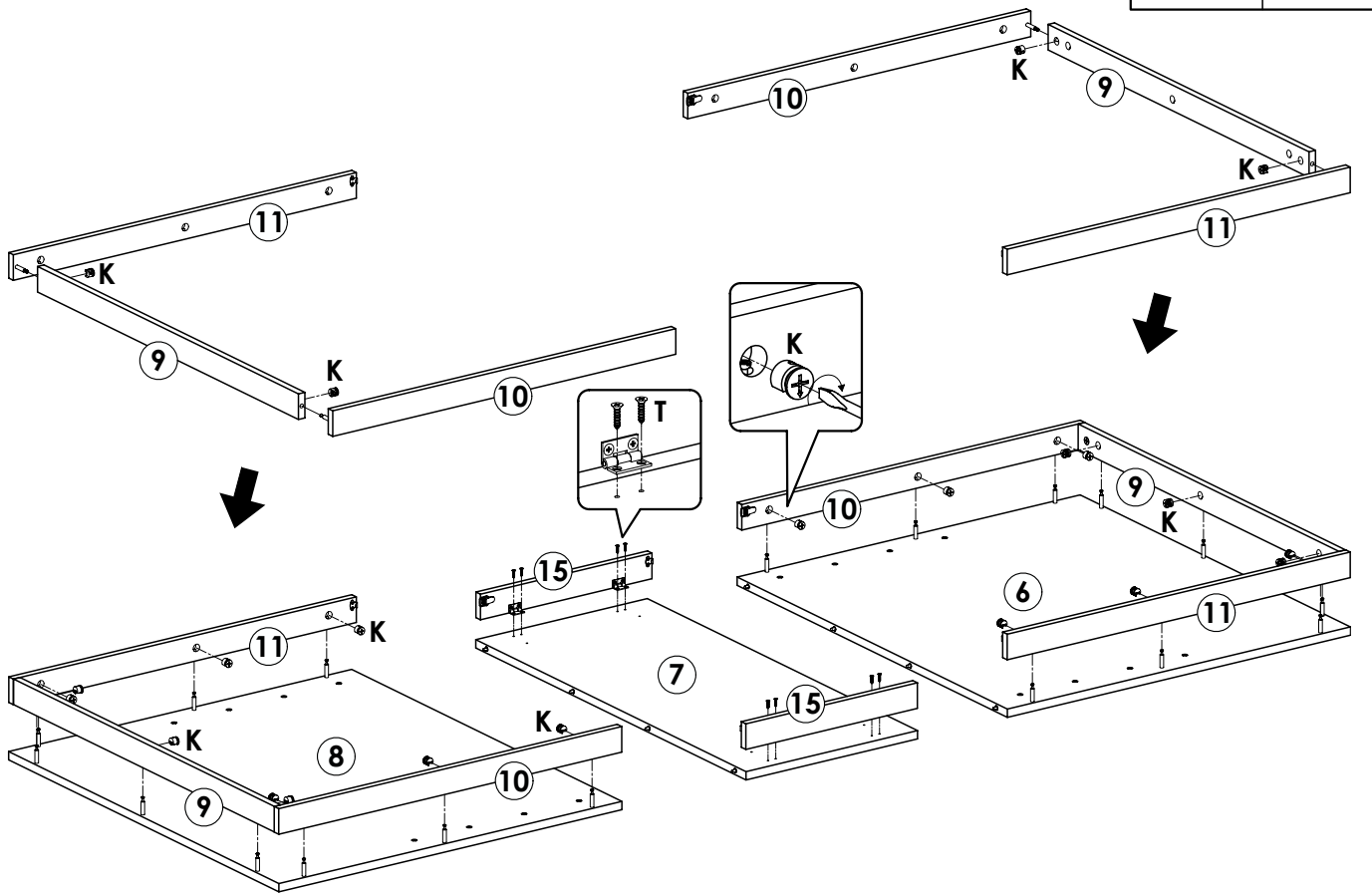
G x16	J x22	R x4	T x8	U x4
-------	-------	------	------	------



9

YOU WILL NEED

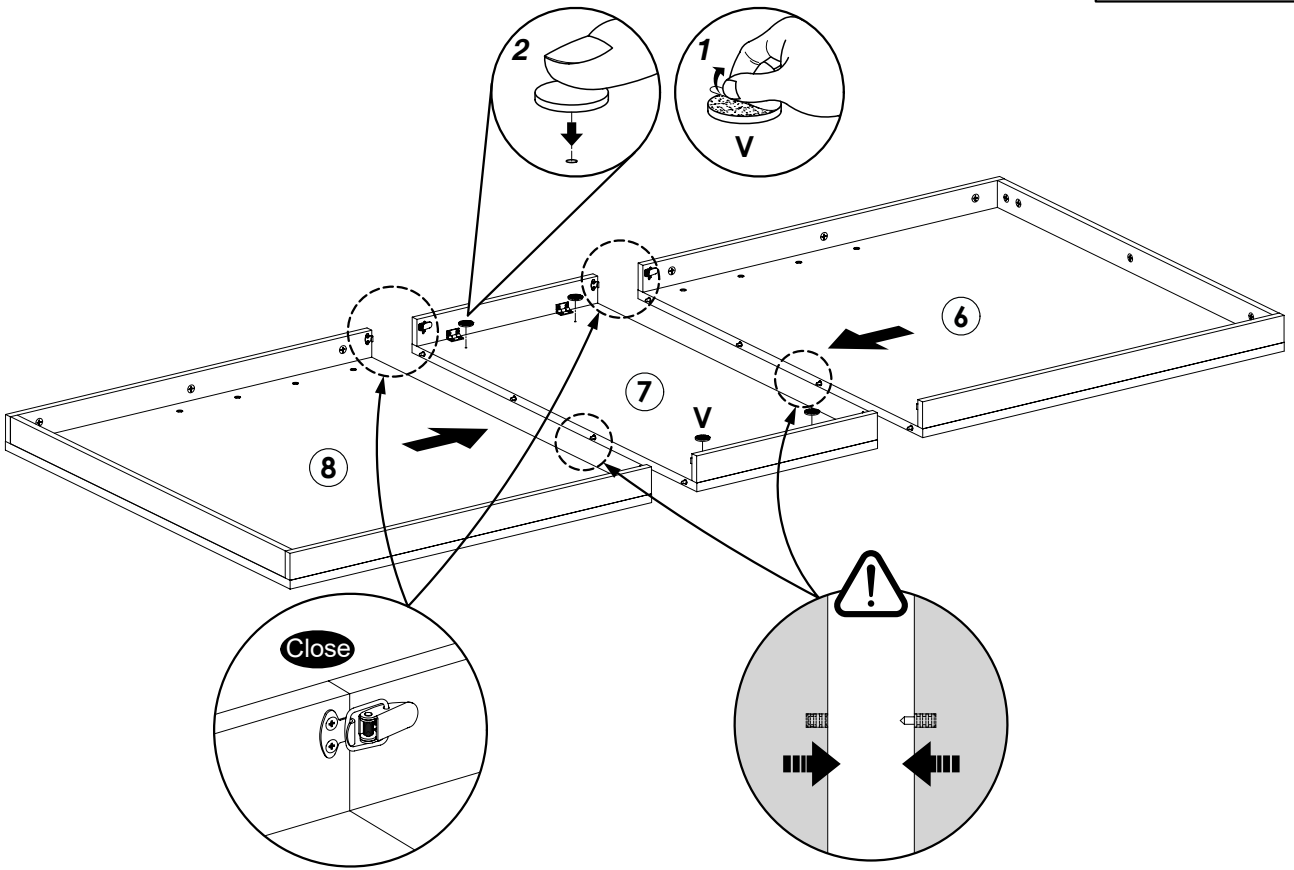
K x22	T x8
-------	------



10

YOU WILL NEED

V x4



11

YOU WILL NEED

B x16

N x4

V x4

