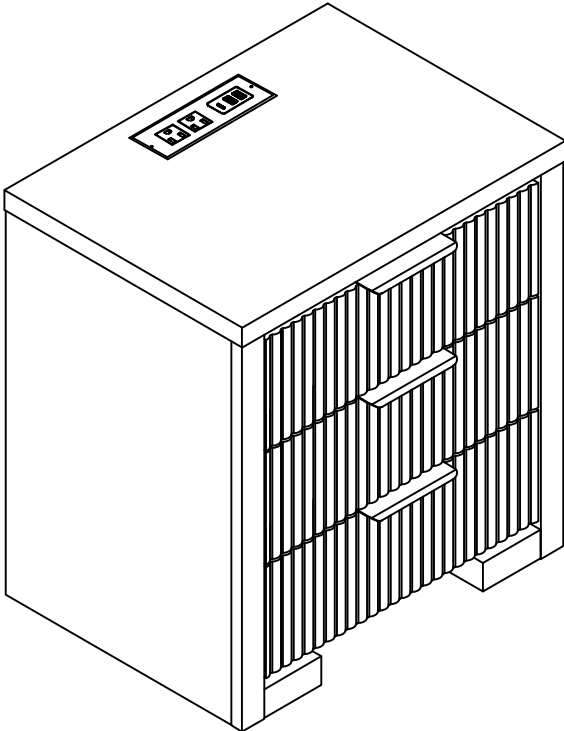


Nightstand

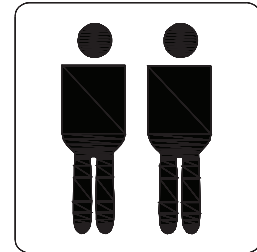
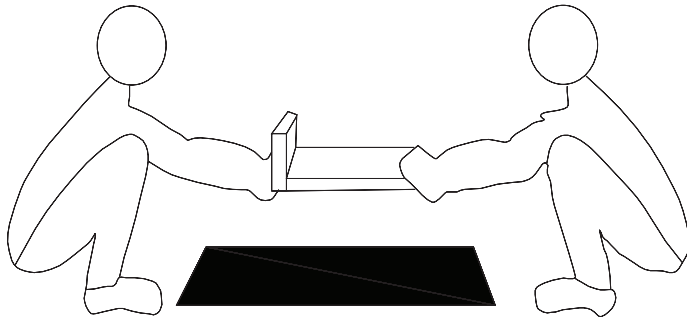


General Guidelines

- Please read the following instruction carefully and use the product accordingly.
- Please keep this manual and hand it over when you transfer the product.
- This summary may not include every detail of all variations and considered steps. Please contact us when further information and help needed.

Notes

- The product must be assembled and used in accordance with the provisions of the manual. Personal injury and damage to product may occur if products are used outside of their intended purposes and/or if product have been change/modified from their original design. The seller does not assume any responsibility or liability with respect to any injury/damage caused by incorrect assembly or improper use.
 - Avoid long-term exposure to humid environments to prevent mildew.
 - Keep the product away from fire sources and high temperatures. Do not expose the direct product to sunlight.
 - Do not place any hot objects on the surface of the product.
 - If there are any defective or missing parts after unpacking, please cease assembly immediately and contact us.
 - Please assemble the item on a spacious surface and do not place the unwrapped product directly on the ground to avoid product damage.
 - Please do not stand or sit on the wooden boards.
 - Please wear gloves during the assembly and/or disassembly process to avoid scratches from any sharp edges.
 - Please match the corresponding part and fitting based on the part number in the manual. If the part does not match with the fitting, please check the piece as specified in this manual.
 - During assembly, first loosely align all screws with the corresponding pre-drilled holes and then tighten the screws one by one.
 - Periodically inspect screw tightness while the product is in use. If necessary retighten to ensure structural integrity.
 - If you accidentally spill water or another liquid on the surface, immediately wipe clean with a dry towel.
- Please keep the product away from sharp, pointed objects and corrosive substances to prevent product damage.
- Please place this item on level, solid ground during use.



TIPS

1. When installing the product, use a soft surface (such as carpet or cardboard) to avoid scratching or damaging the surface of the product.
2. Please try to use a manual screwdriver instead of an electric screwdriver. A manual screwdriver can be used to better control the tightness of the screws.
3. Do not use glue.
4. The product is unstable before assembly. Please observe the product installation sequence and align all screws and screw holes before tightening.
5. The structure of this product may not meet the requirements of children climbing.

INTRODUCTION




Thank you very much for choosing our Pantry Cabinet.
Please read this manual before using the product, as it may contain some information you don't know. If you have any questions, please feel free to send us email.

PACKAGE CONTAINS

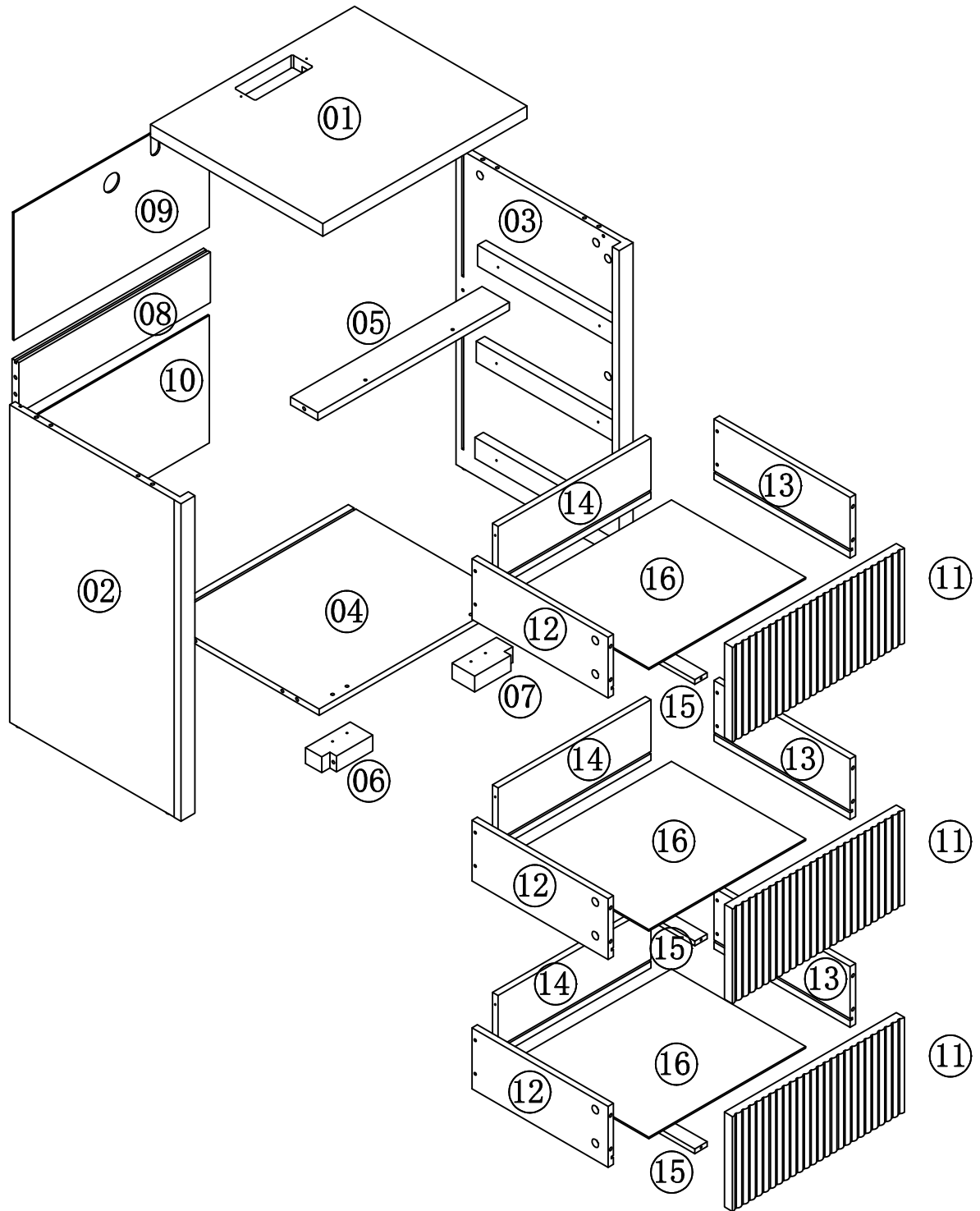
WARNING

Serious or fatal injury may occur from unexpected assembly or use.

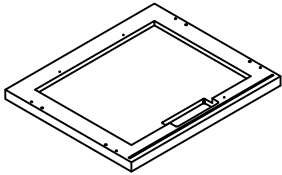
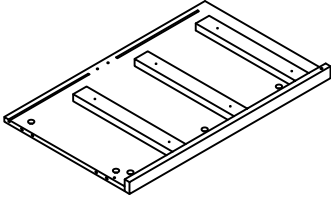
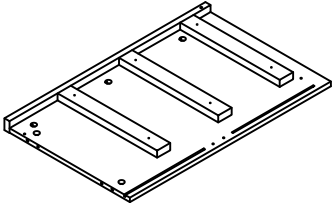
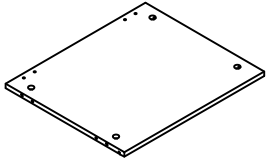
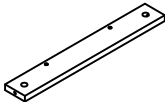
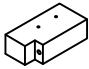
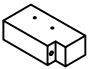
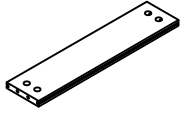
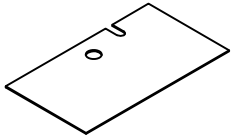
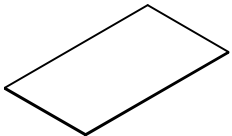
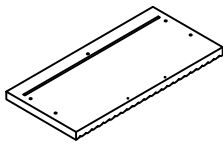
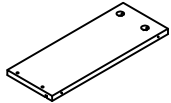
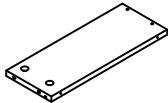
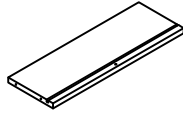
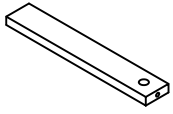
1. During the assembly process, keep all parts away from babies or children.
2. Always securely fix this product to the wall. Make sure the wall area to be drilled is free from hidden electrical wires, water and gas pipes.
3. Use of tip-over restraints may only reduce, but not eliminate the risk of tip-over.
4. Unless specially designed to accommodate, do not set heavy objects on top of this product.
5. Place the heaviest items on the lowest shelf.
6. Never allow children to climb or bang on drawers, doors or shelves.

 WARNING	
	<p>Children have died from furniture tipover. To reduce the risk of furniture tipover:</p> <ul style="list-style-type: none">• ALWAYS install tipover restraint provided.• NEVER put a TV on this product.• NEVER allow children to stand, climb or hang on drawers, doors, or shelves.• NEVER open more than one drawer at a time.• Place heaviest items in the lowest drawers.
	

Parts List(EN) / Teile Liste(DE)

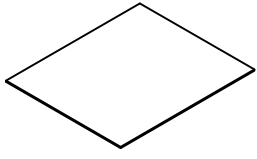


Parts List(EN) / Teile Liste(DE)

<p>①</p>  <p>1 PC</p>	<p>②</p>  <p>1 PC</p>	<p>③</p>  <p>1 PC</p>
<p>④</p>  <p>1 PC</p>	<p>⑤</p>  <p>1 PC</p>	<p>⑥</p>  <p>1 PC</p>
<p>⑦</p>  <p>1 PC</p>	<p>⑧</p>  <p>1 PC</p>	<p>⑨</p>  <p>1 PC</p>
<p>⑩</p>  <p>1 PC</p>	<p>⑪</p>  <p>3 PCS</p>	<p>⑫</p>  <p>3 PCS</p>
<p>⑬</p>  <p>3 PCS</p>	<p>⑭</p>  <p>3 PCS</p>	<p>⑮</p>  <p>3 PCS</p>

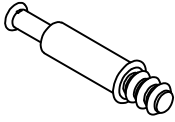

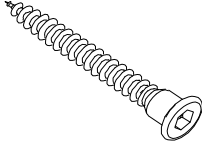
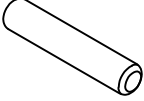
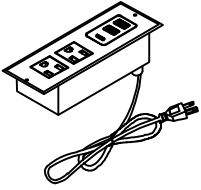
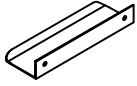




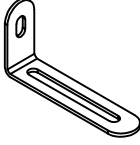
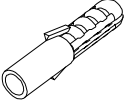
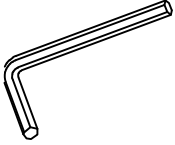
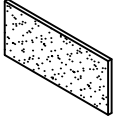
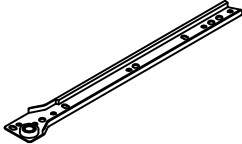
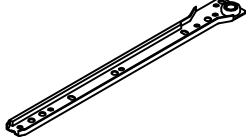
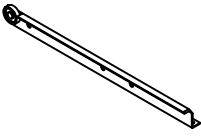
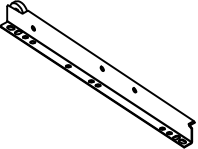
Parts List(EN) / Teile Liste(DE)

①6

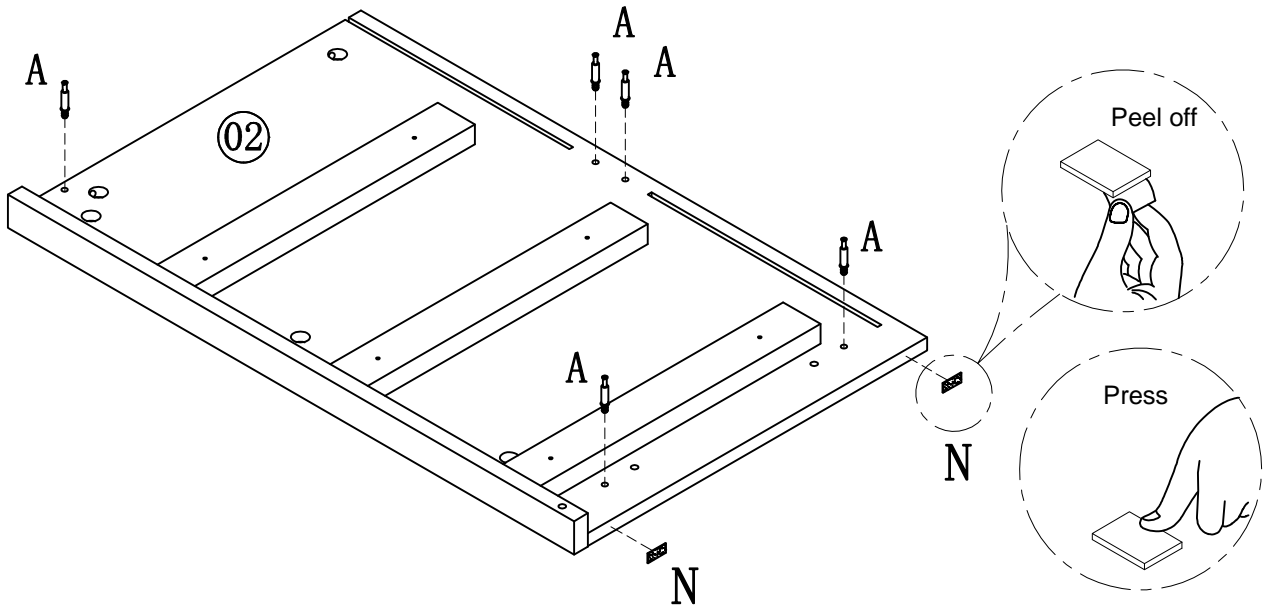




3 PCS

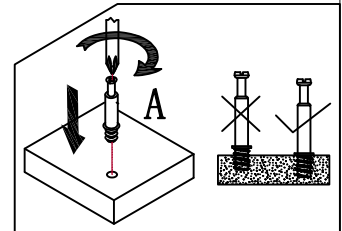
Hardware List(EN) / Teile Liste(DE)

<p>A</p>  <p>∅6*35mm 29PCS</p>	<p>B</p>  <p>∅15*10mm 29PCS</p>	<p>C</p>  <p>∅5*45mm 4PCS</p>	<p>D</p>  <p>∅6*30mm 10PCS</p>
<p>E</p>  <p>1PC</p>	<p>F</p>  <p>120*40*18 3PCS</p>	<p>G</p>  <p>13*13*11mm 10PCS</p>	<p>H</p>  <p>M3*16mm 10PCS</p>
<p>I</p>  <p>M3*12mm 33PCS</p>	<p>J</p>  <p>M4*35mm 18PCS</p>	<p>K</p>  <p>1PC</p>	<p>L</p>  <p>M8*37mm 1PC</p>
<p>M</p>  <p>M4 1PC</p>	<p>N</p>  <p>35*12mm 4PCS</p>	<p>CL</p>  <p>L300mm 3PCS</p>	<p>CR</p>  <p>L300mm 3PCS</p>
<p>DL</p>  <p>L300mm 3PCS</p>	<p>DR</p>  <p>L300mm 3PCS</p>		

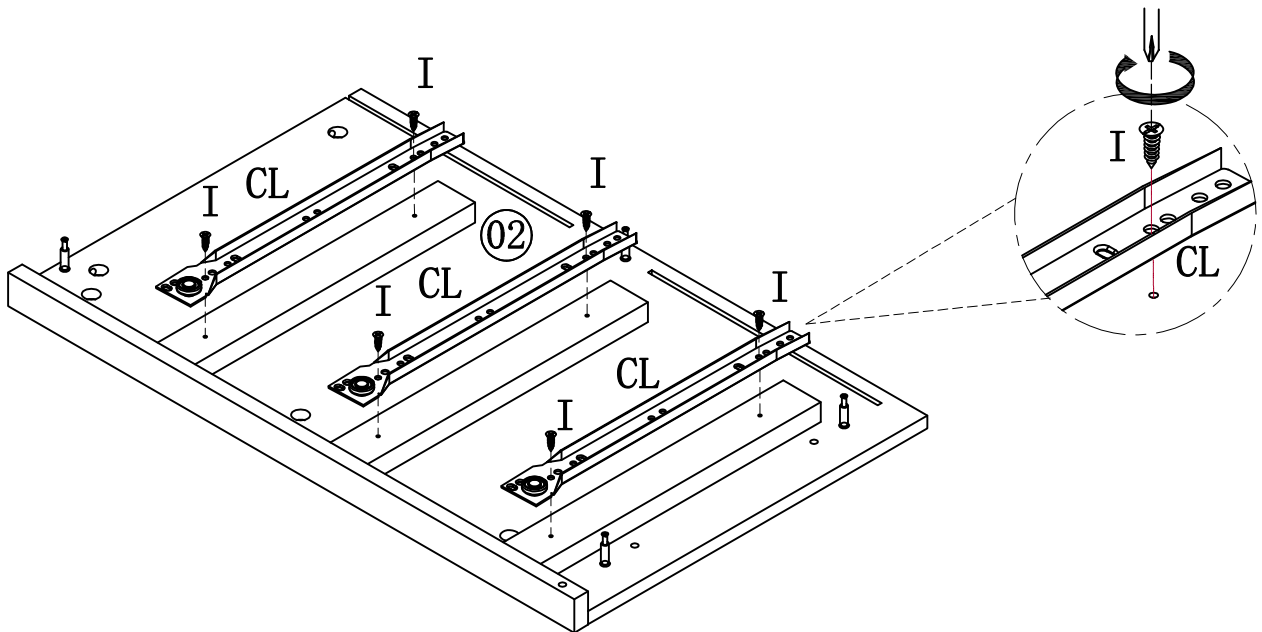
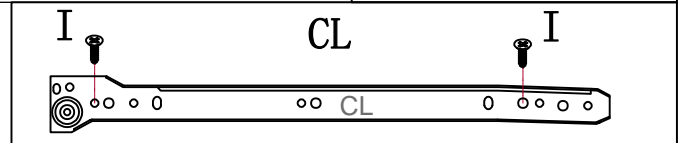
STEP1





	A*5PCS
	N*2PCS

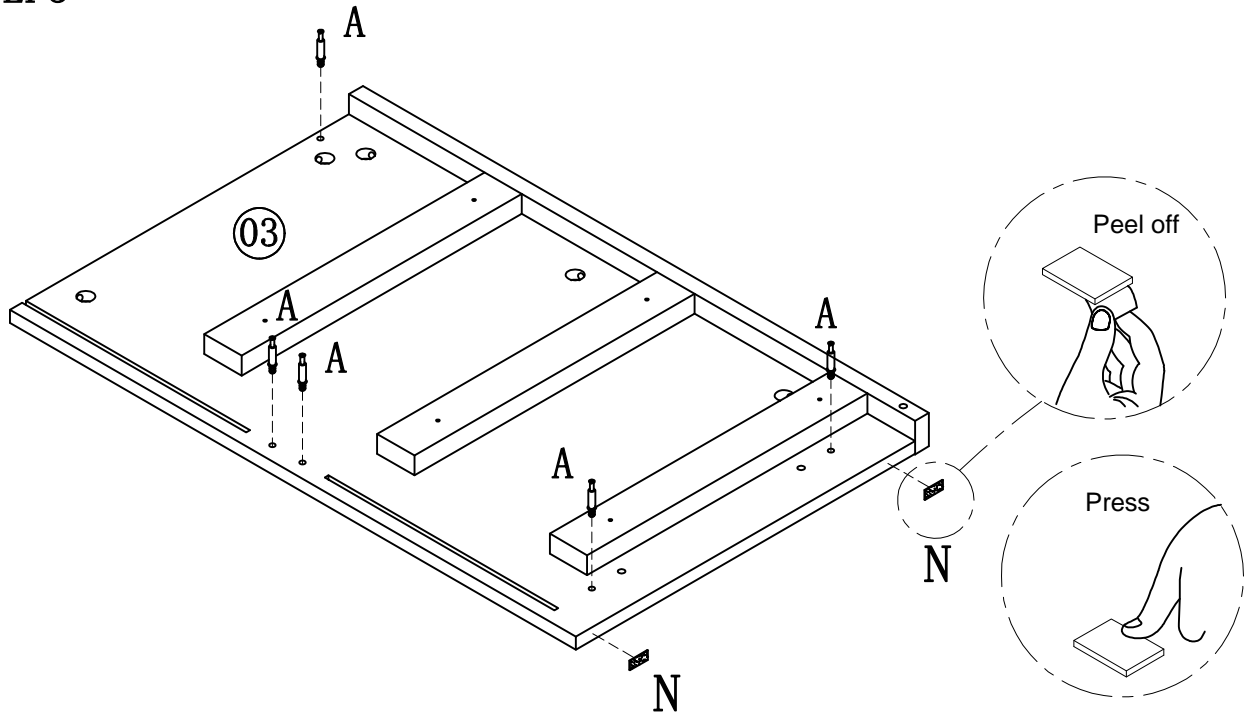




STEP2



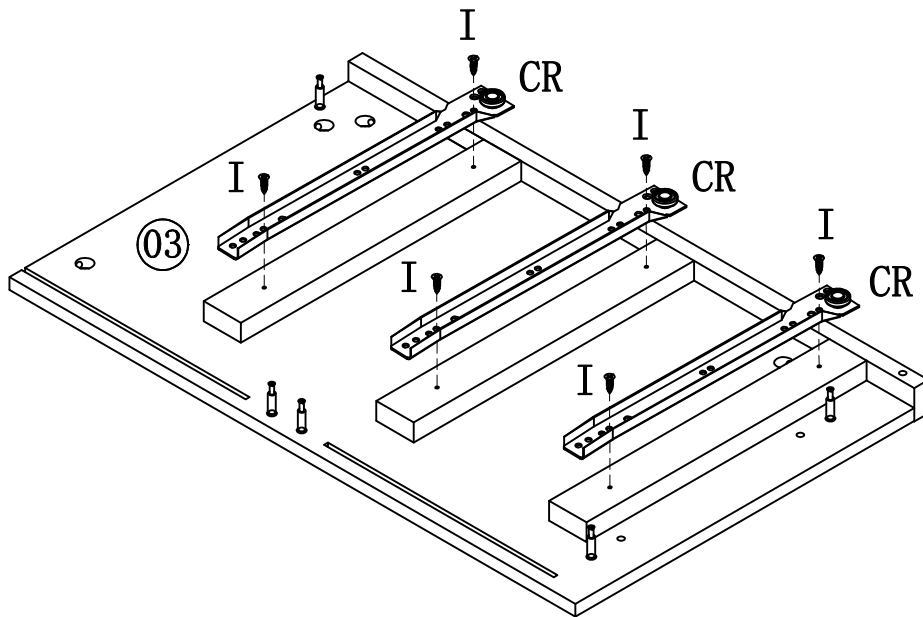
	I*6PCS
	CL*3PCS



STEP3



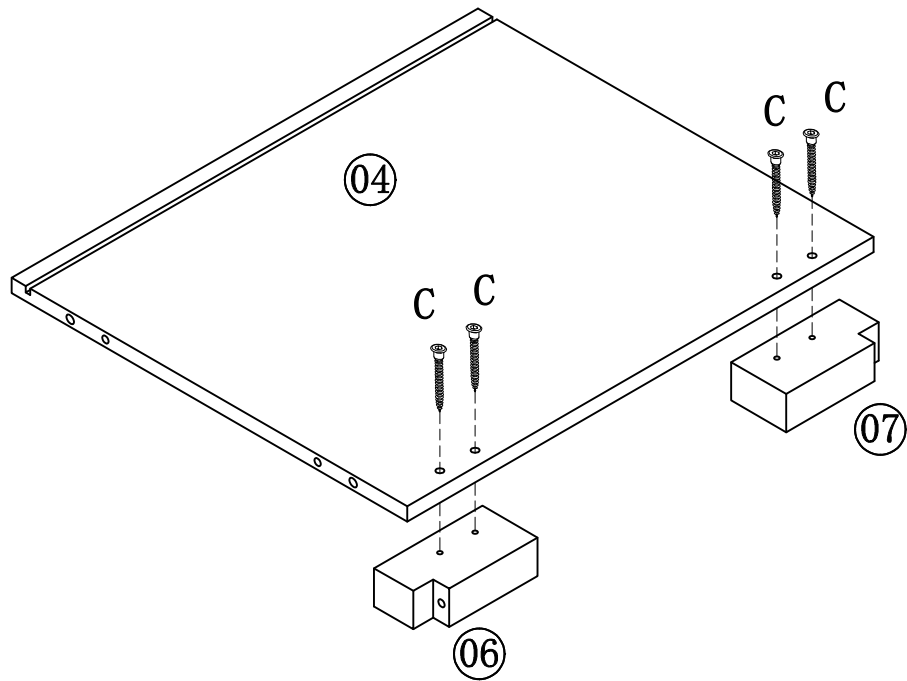
	A*5PCS
	N*2PCS

STEP4



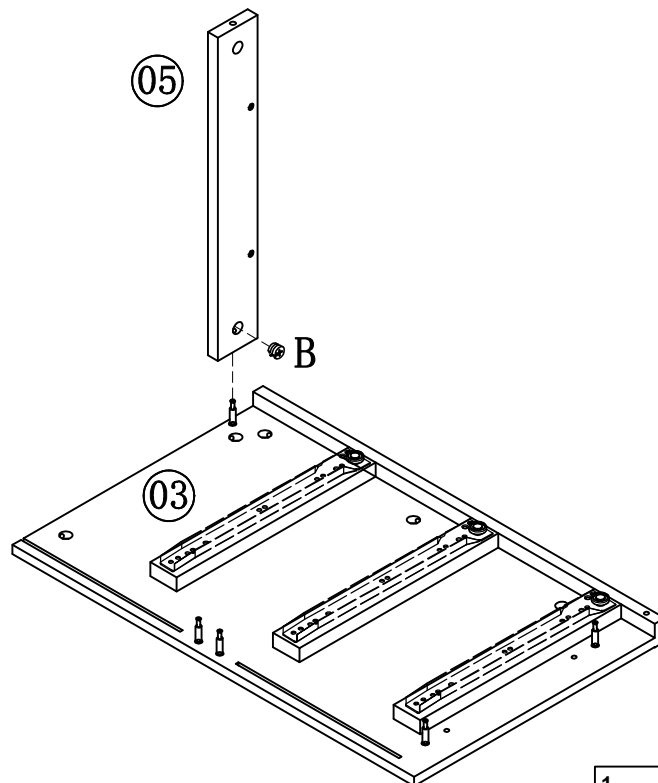
	I*6PCS
	CR*3PCS

STEP5

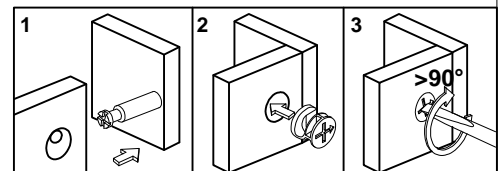


C*4PCS

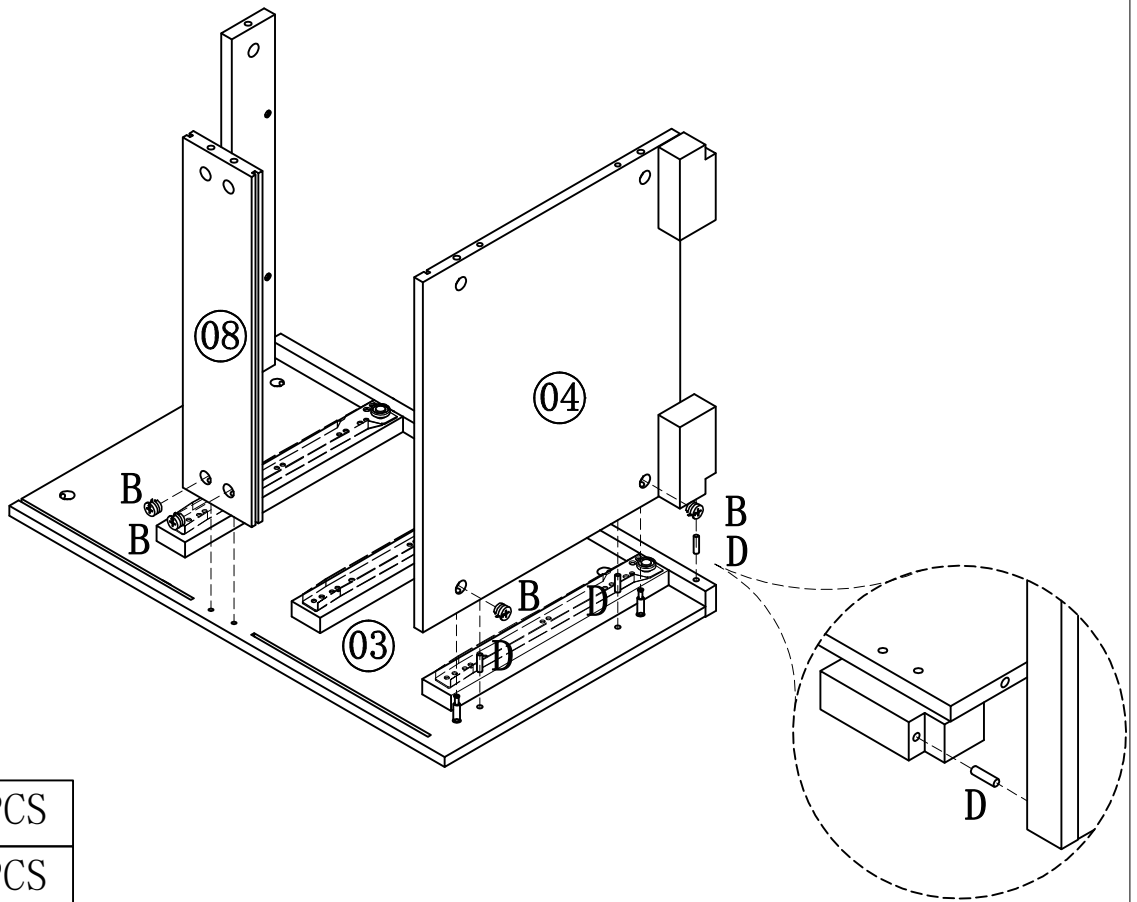
STEP6




B*1PC

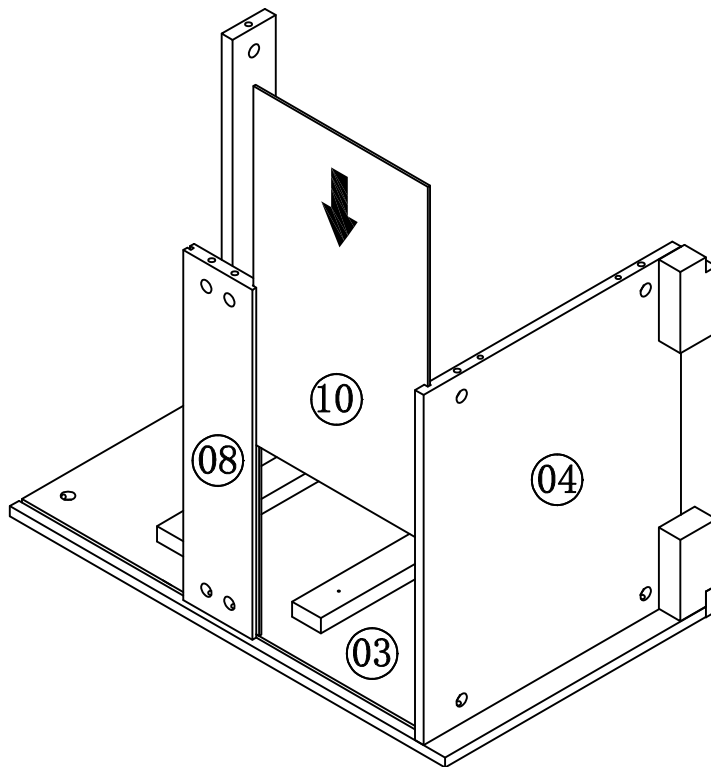


STEP7

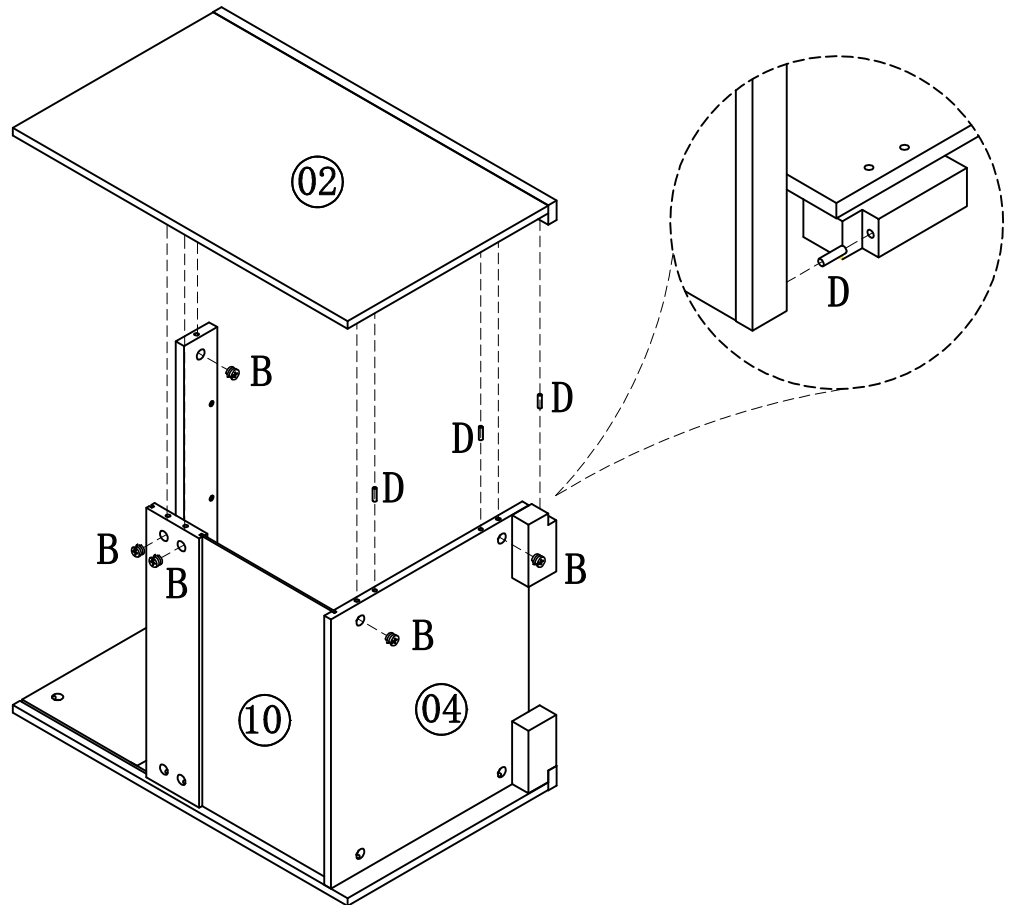


	B*4PCS
	D*3PCS

STEP8

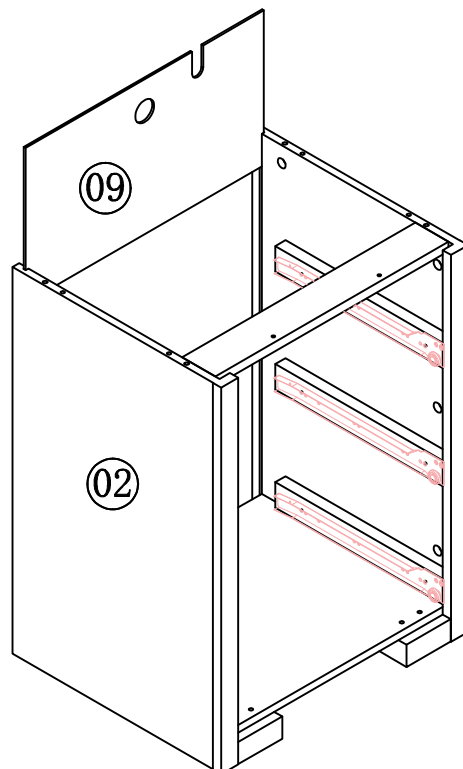


STEP9

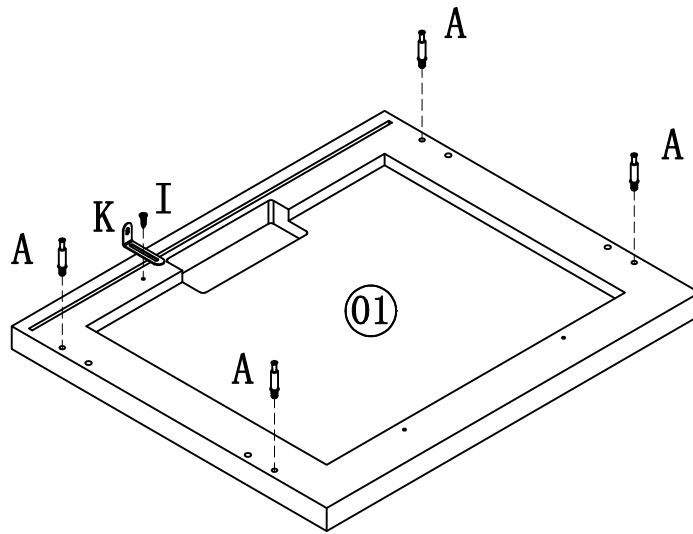





	B*5PCS
	D*3PCS

STEP10

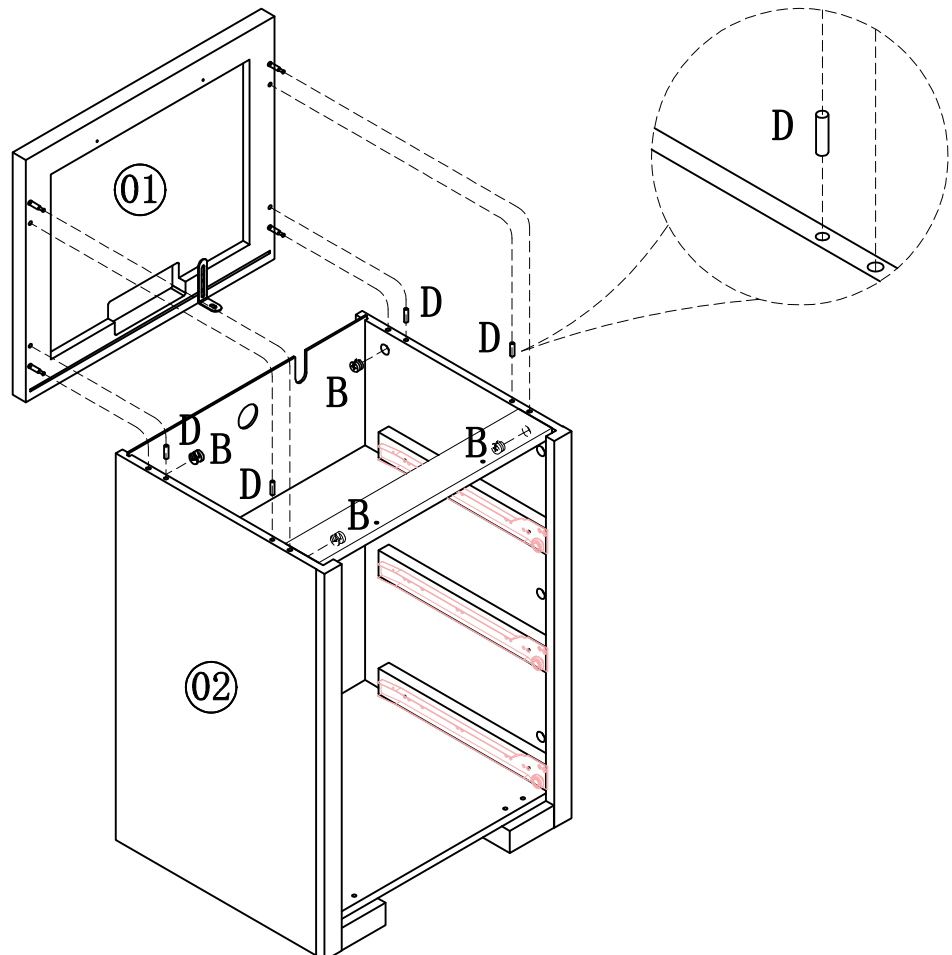




STEP11



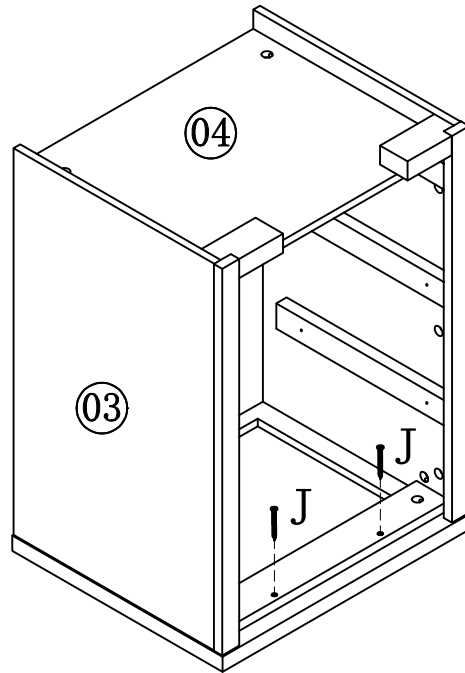
	A*4PCS
	I*1PC
	K*1PC


STEP12



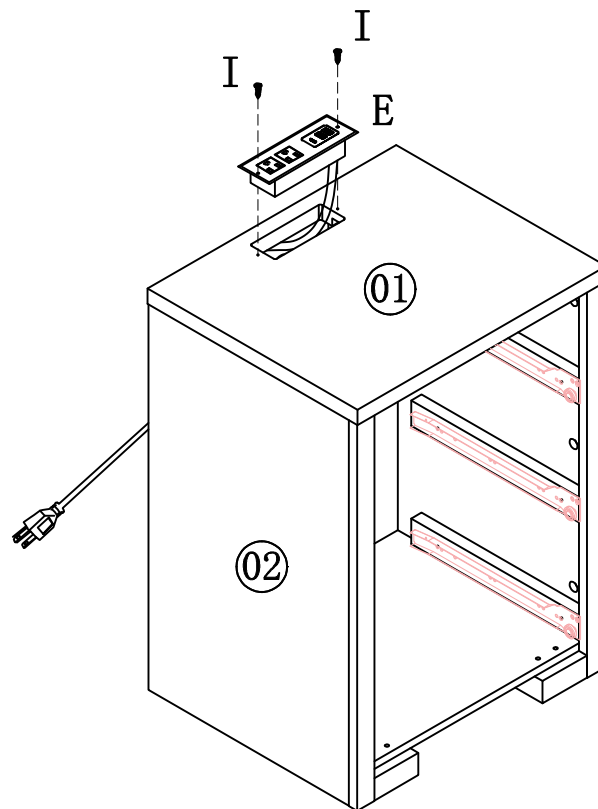
	B*4PCS
	D*4PCS



STEP13



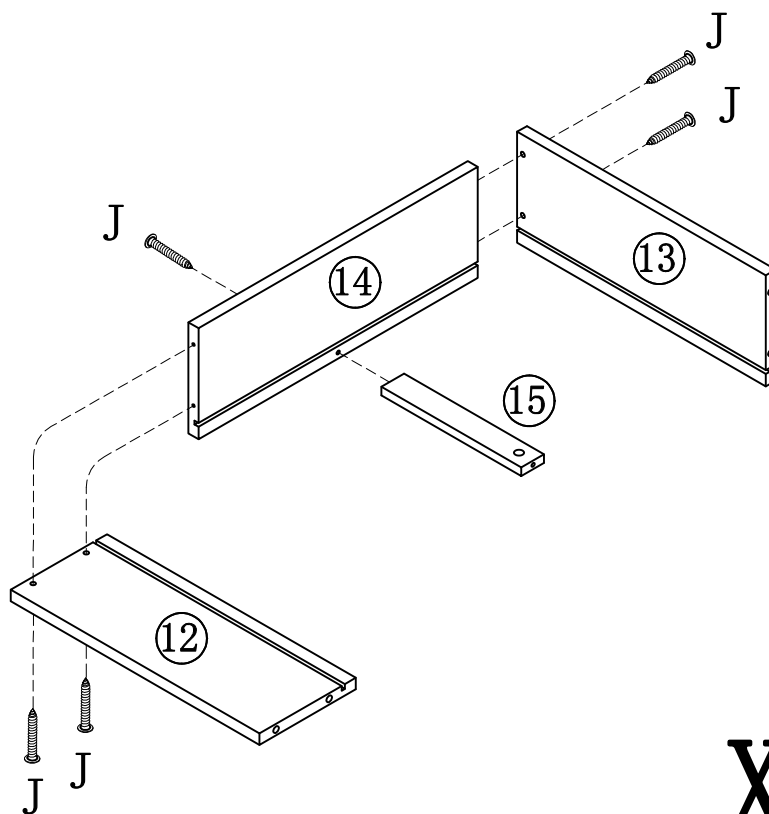
	J*2PCS
---	--------

STEP14




	E*1PC
	I*2PCS

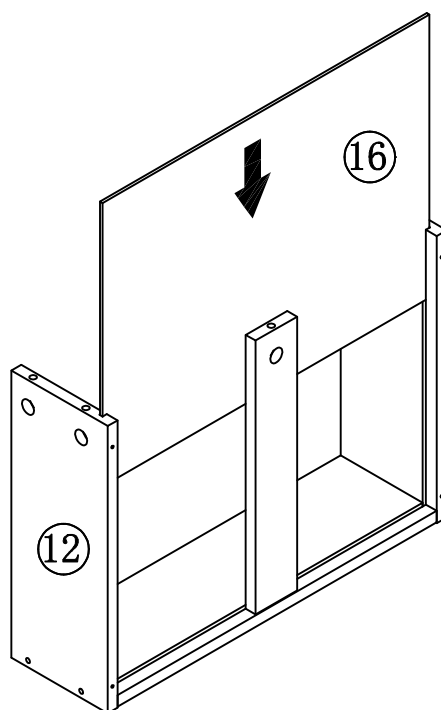
STEP15



X3

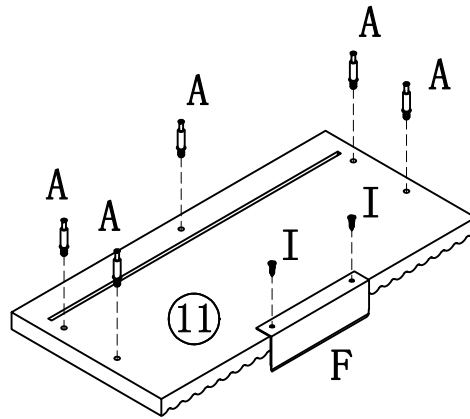
 J*15PCS


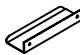

STEP16



X3

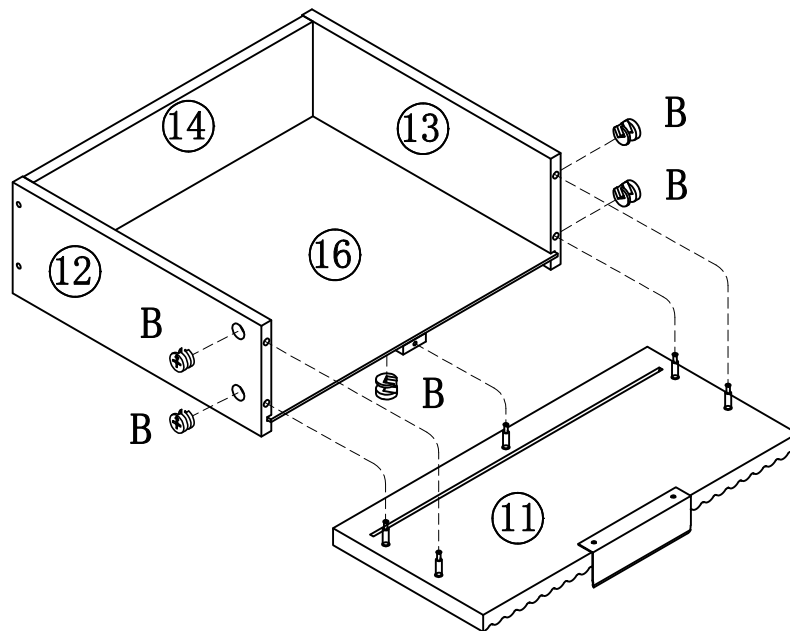
STEP17




	A*15PCS
	F*3PCS
	I*6PCS

X3

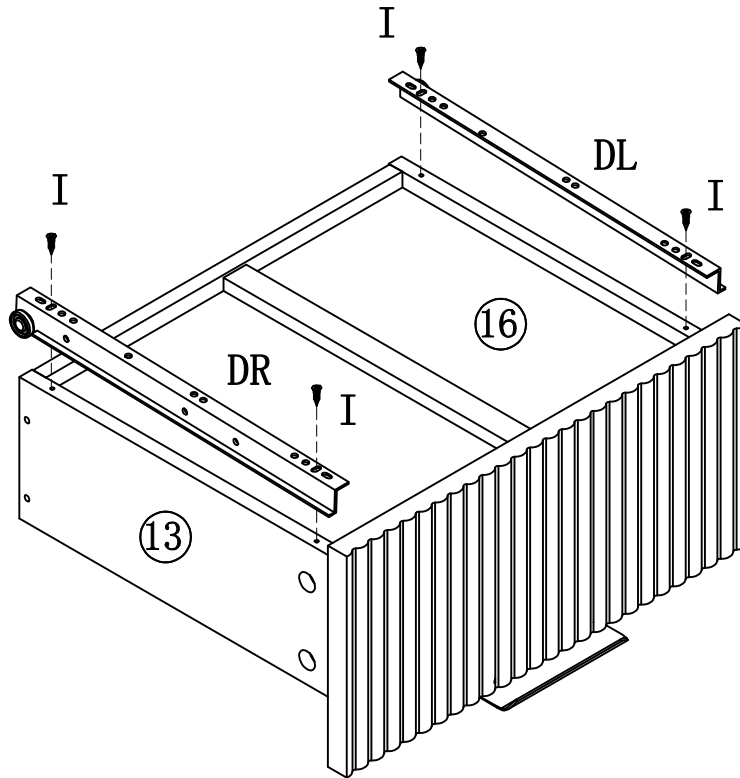
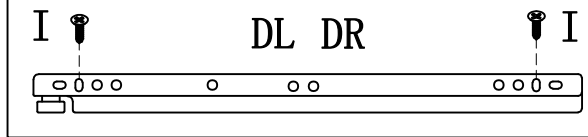
STEP18






	B*15PCS
---	---------

X3

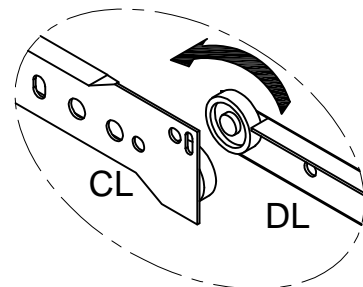
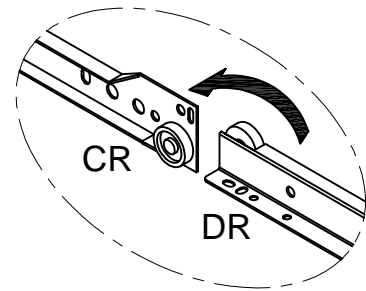
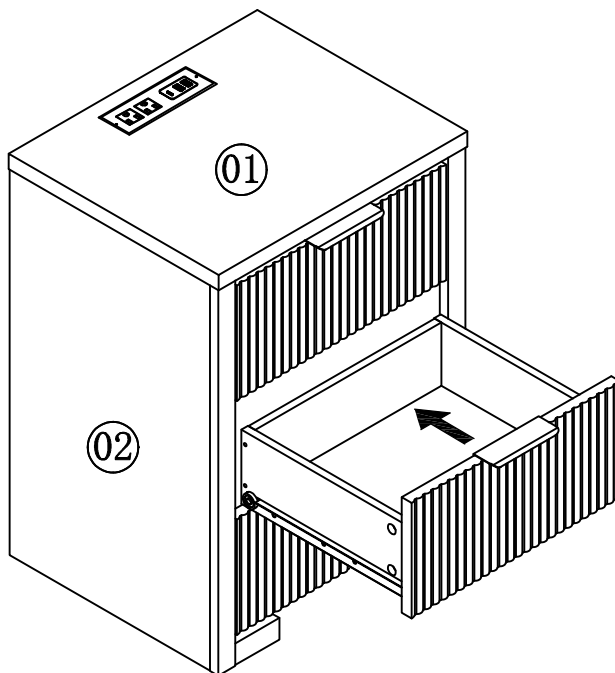
STEP19



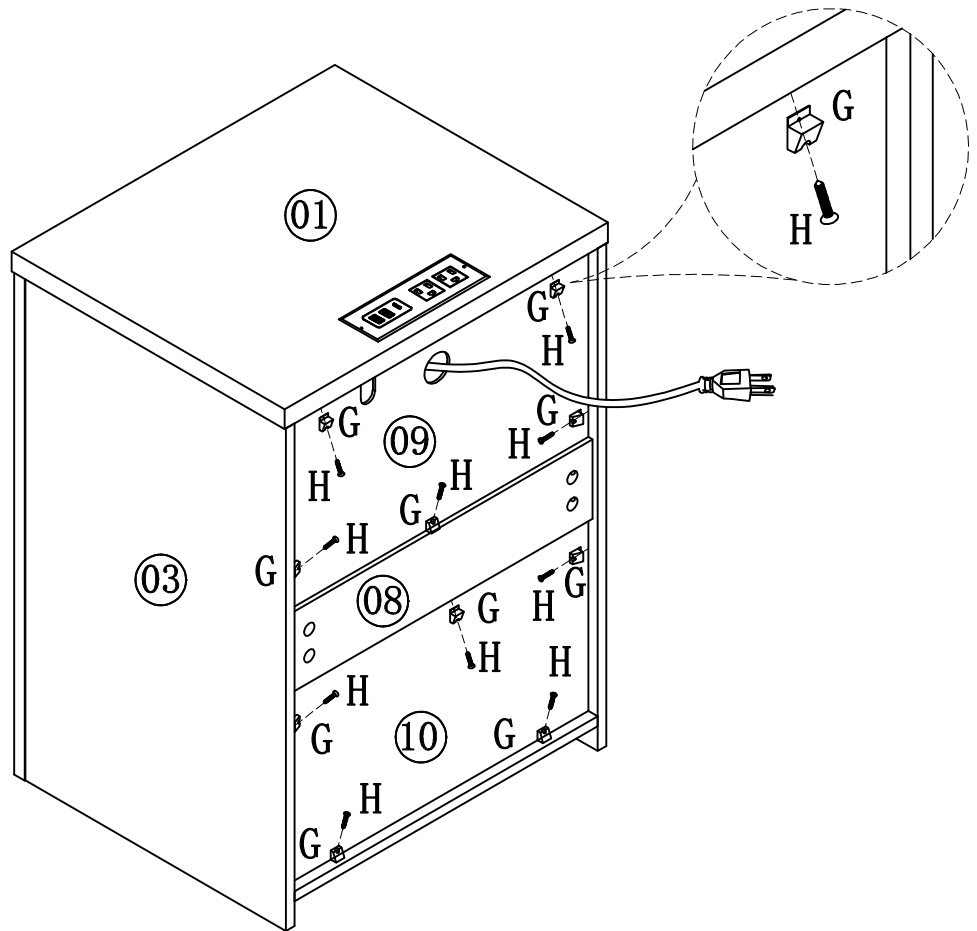
X3



	I*12PCS
	DL*3PCS
	DR*3PCS

STEP20

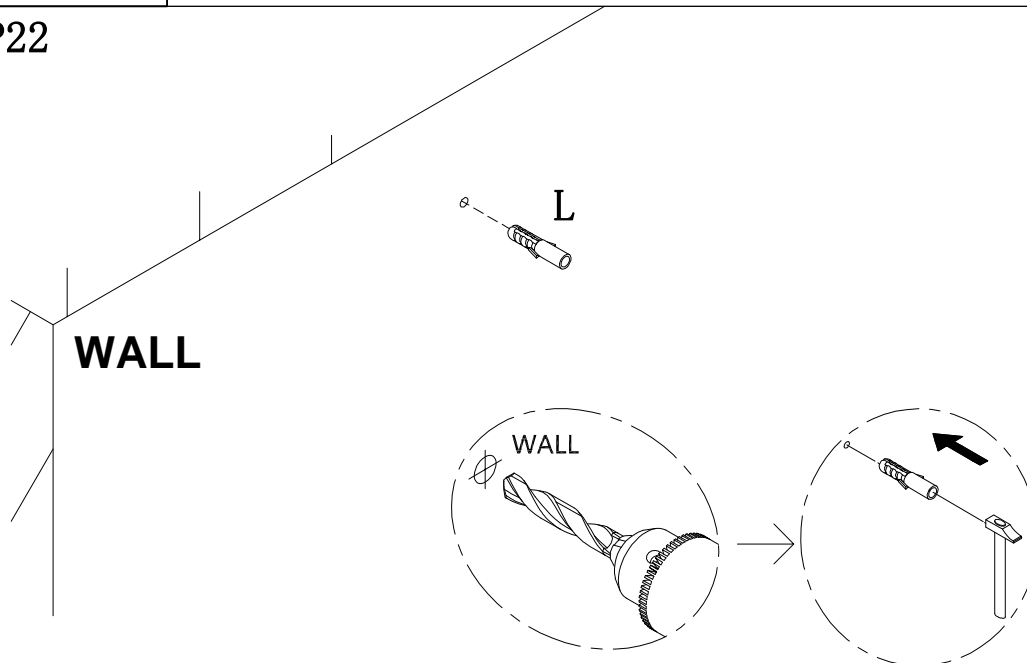


STEP21




	G*10PCS
	H*10PCS

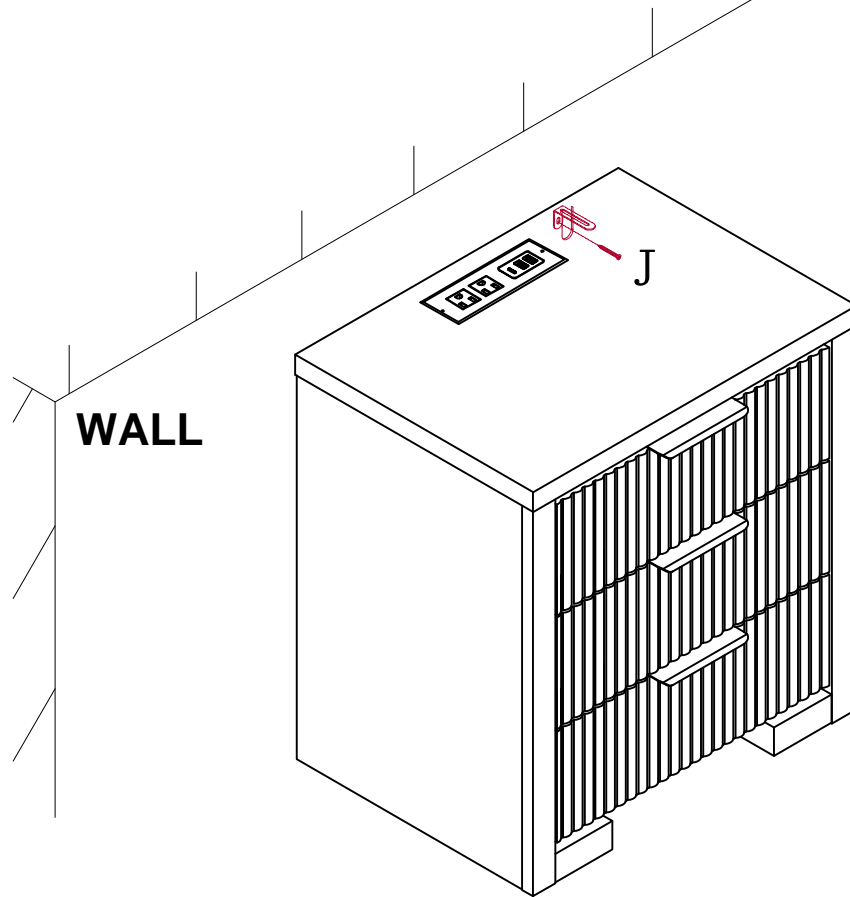
STEP22



EN: Drill a hole on the wall at the required position for anti-falling device installation.
 DE: Bohren Sie ein Loch an der gewünschten Position in die Wand, um die Absturzsicherung zu installieren

	L*1PC
---	-------

STEP23



J*1PC

FINISH