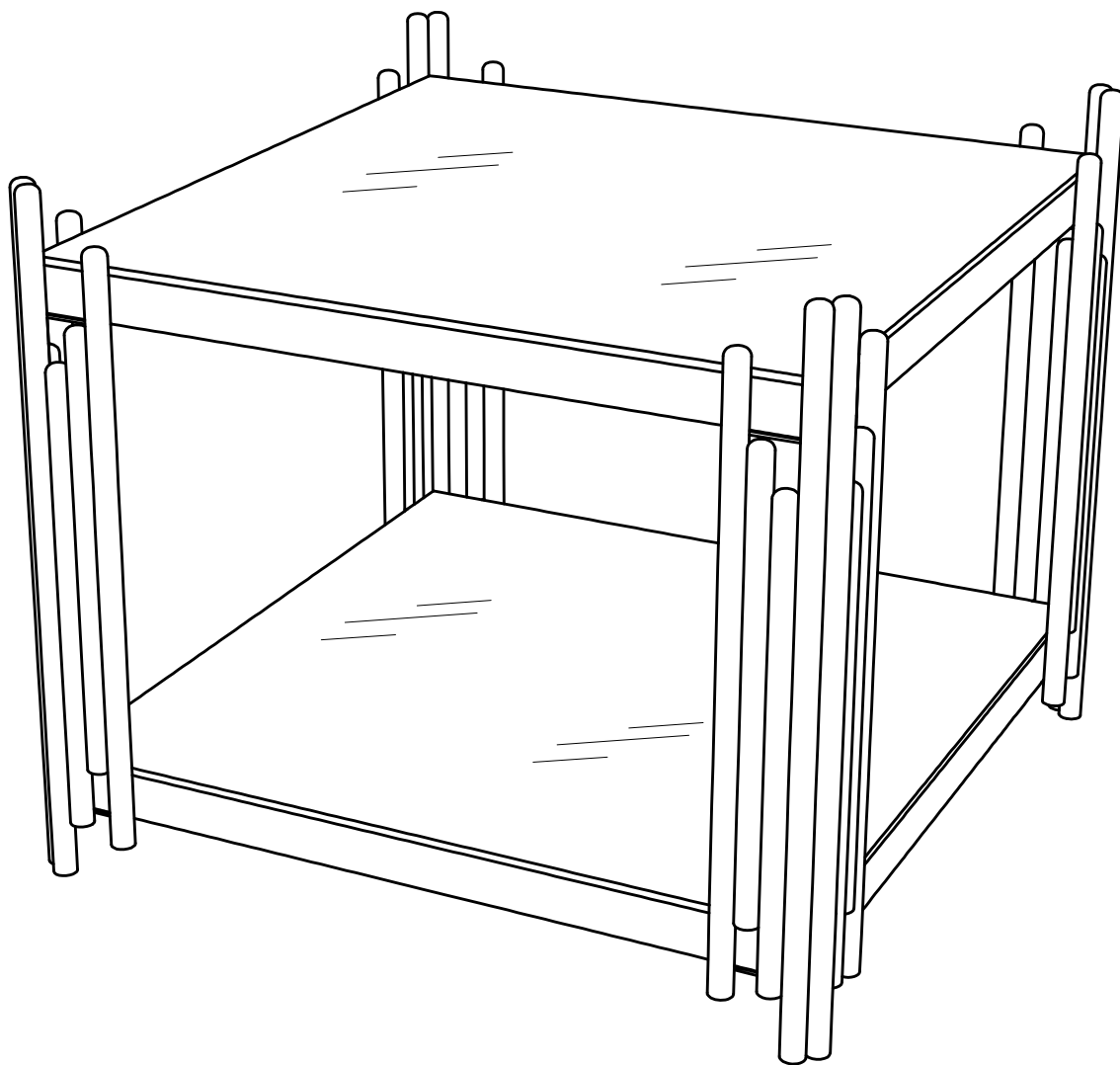

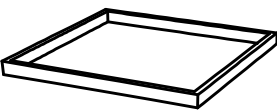




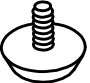


ASSEMBLY INSTRUCTION



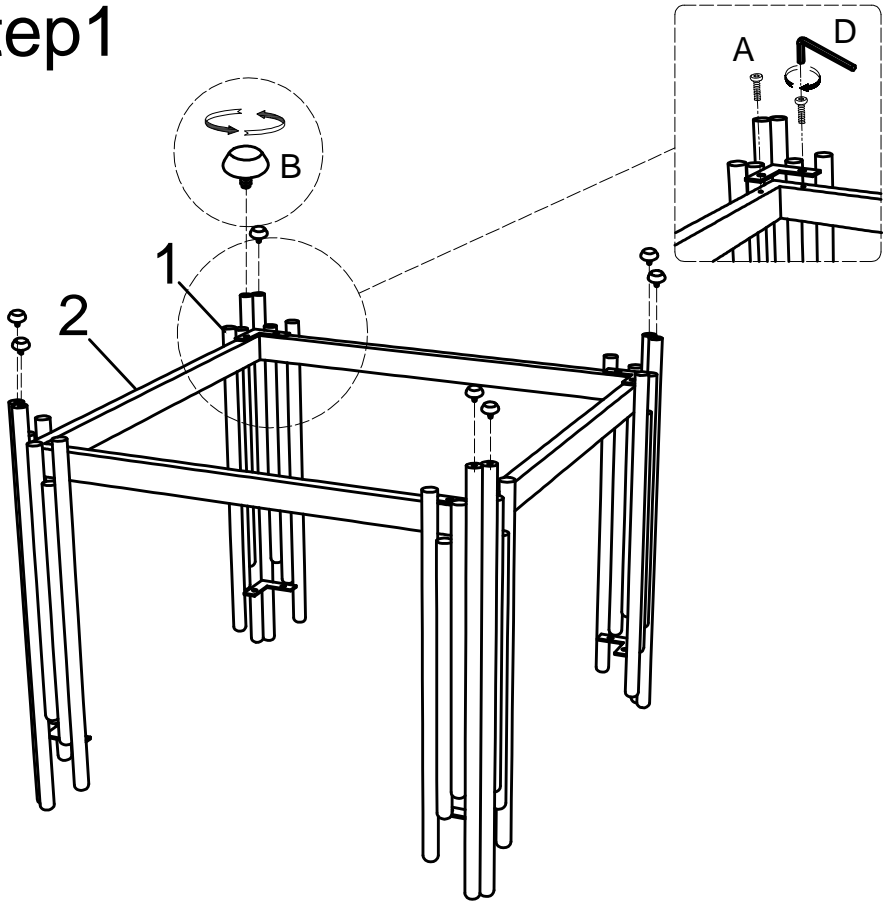
Parts List

 Table leg	 Metal frame	 Glass
1. 4pcs	2. 2pcs	3. 2pcs

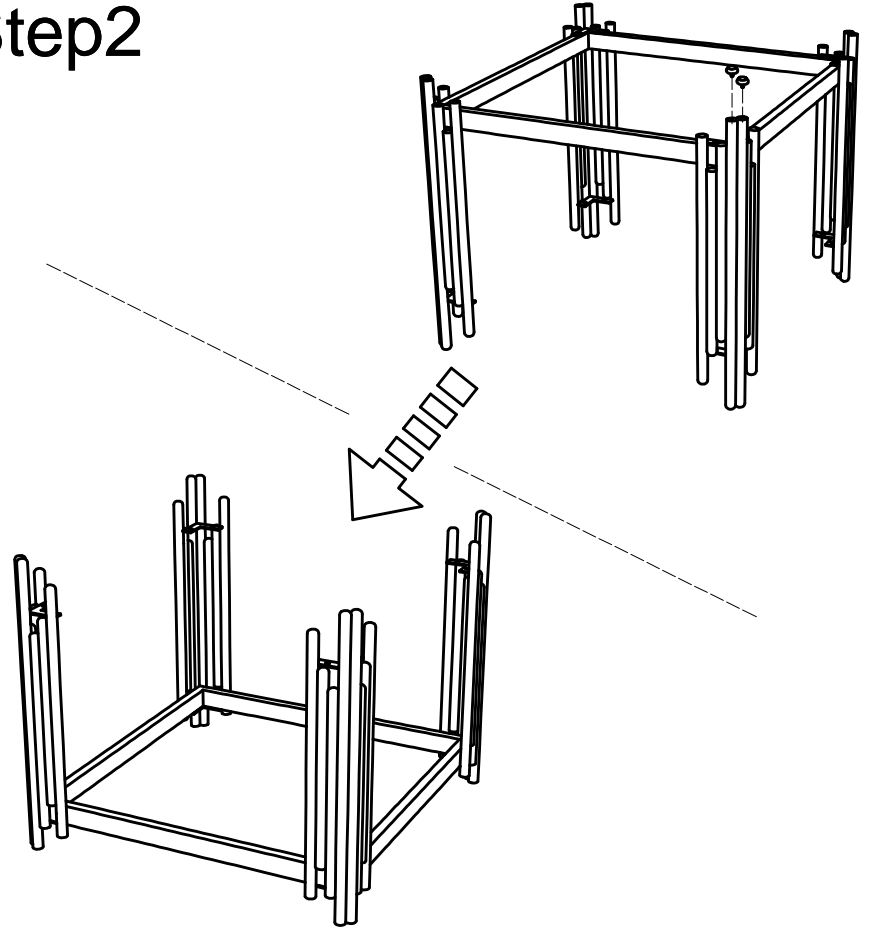
Hardware List

 Screw	 Tack	 Rubber mat	 Wrench
A. 17pcs	B. 9pcs	C. 17pcs	D. 1pc

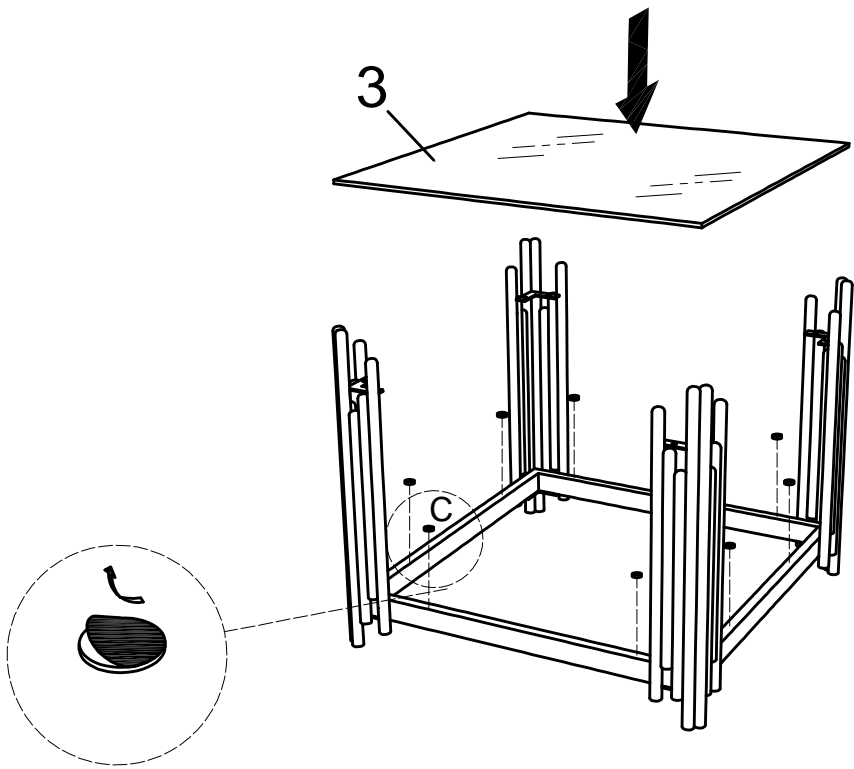
Step1



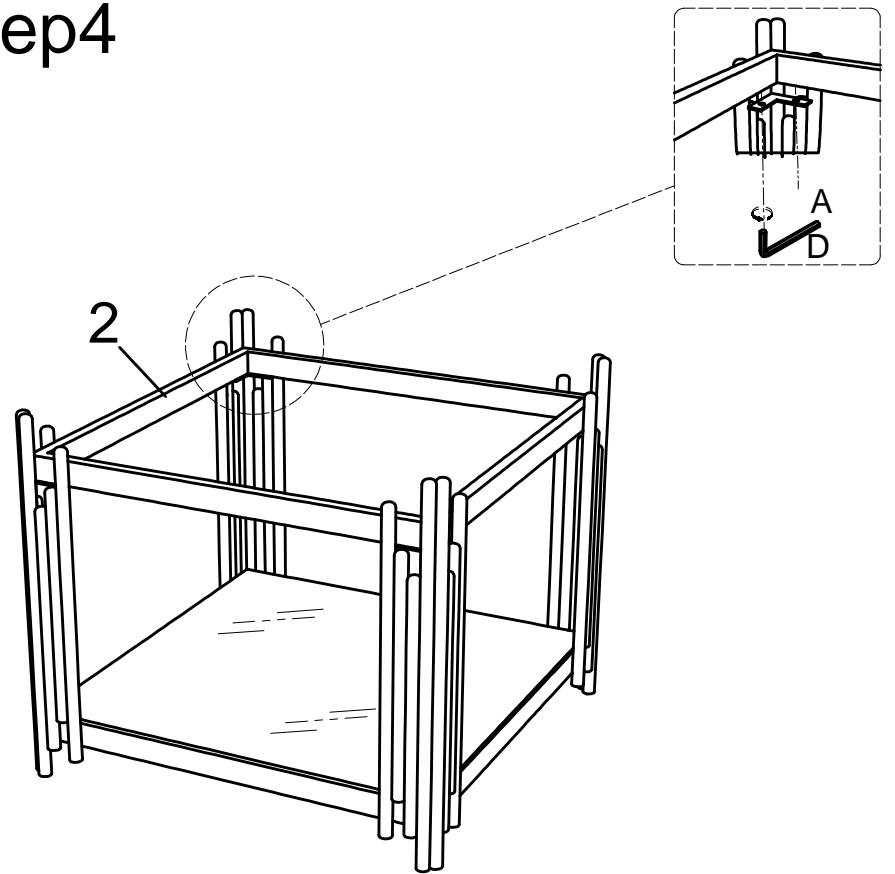
Step2



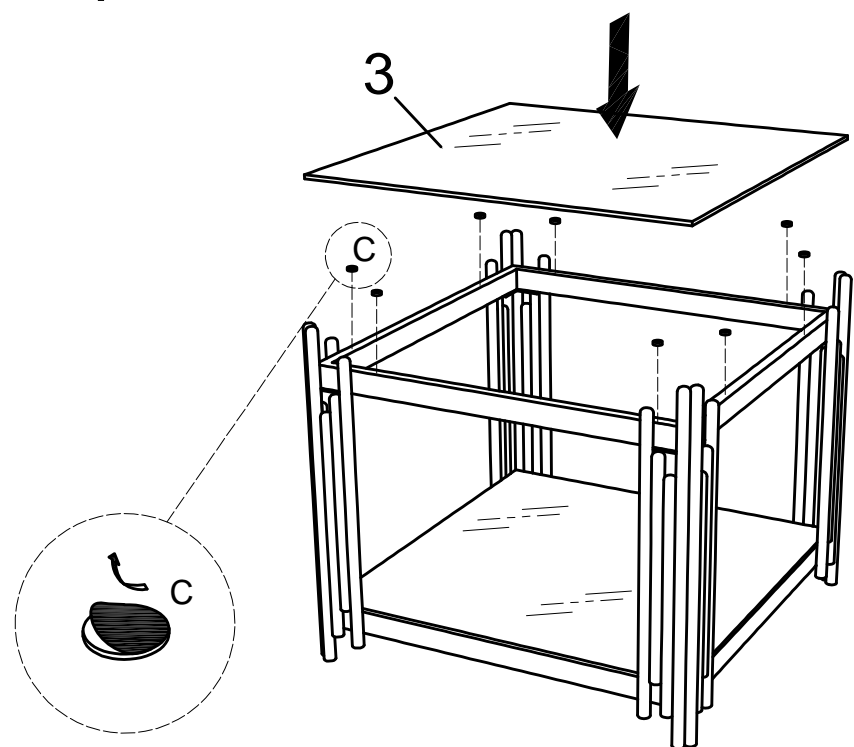
Step3



Step4



Step5



Step6

