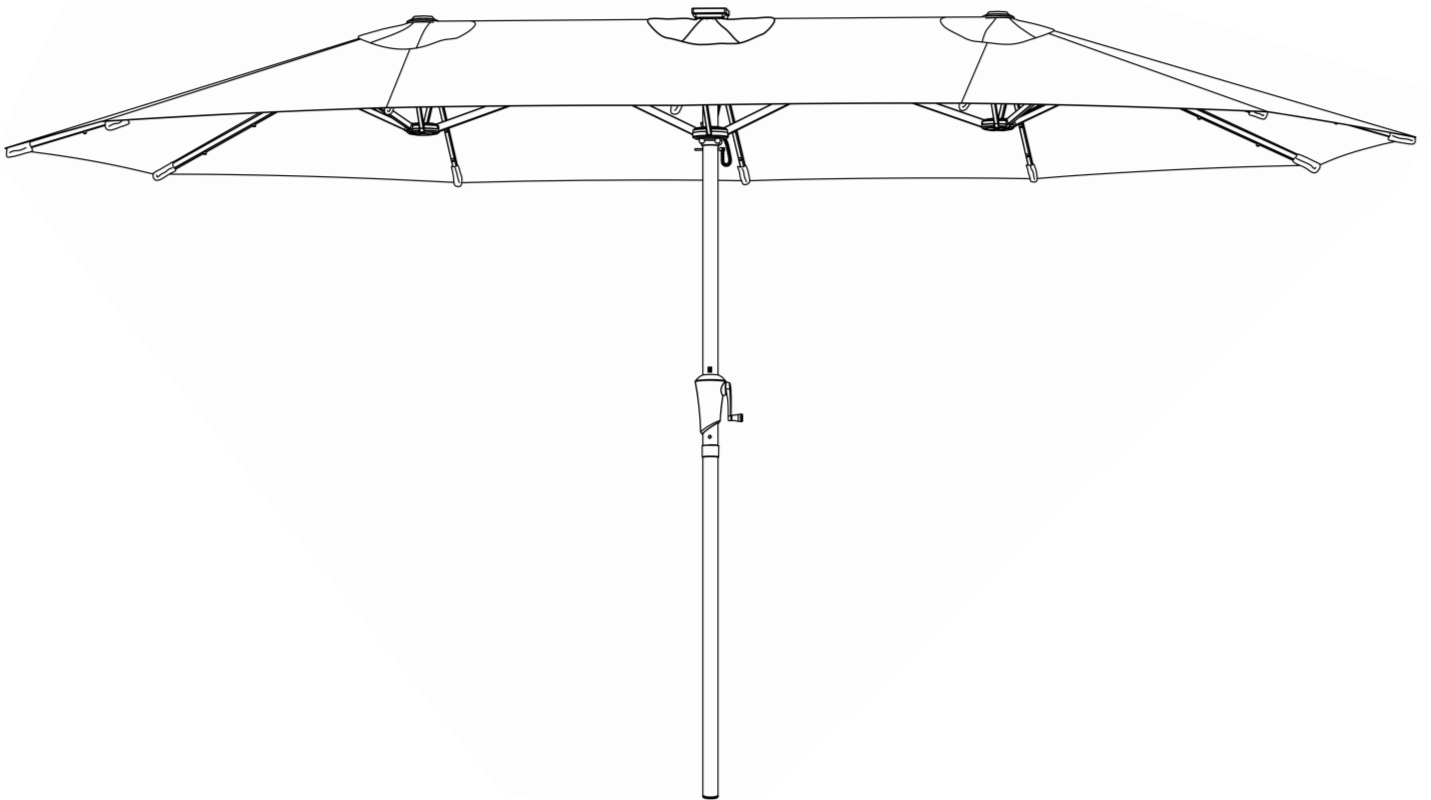
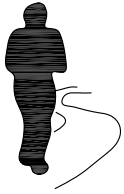
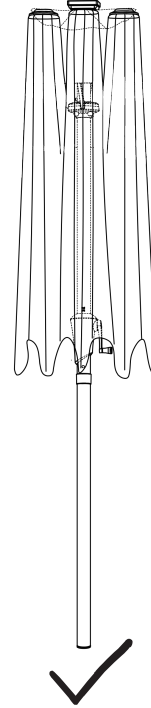
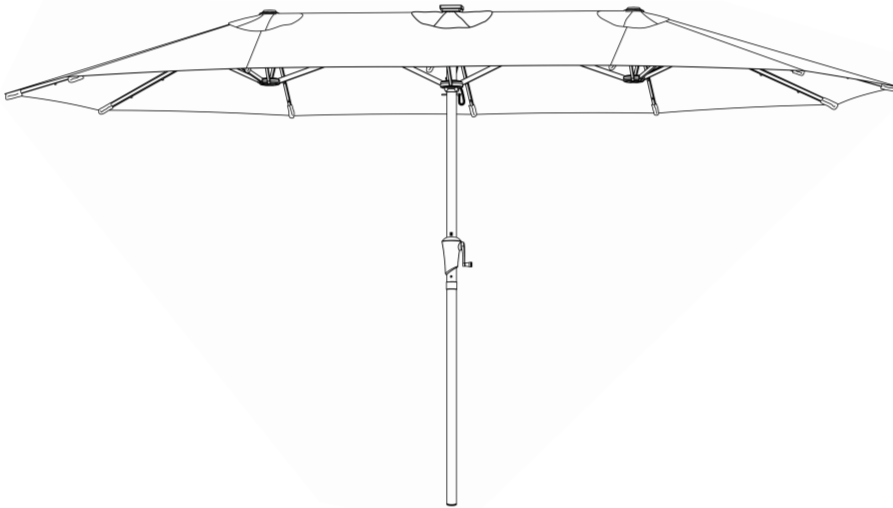


# Instruction of Patio Umbrella

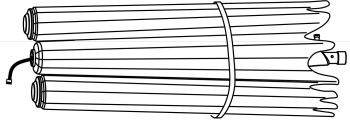
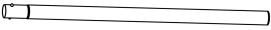
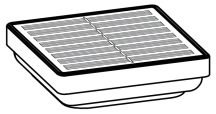




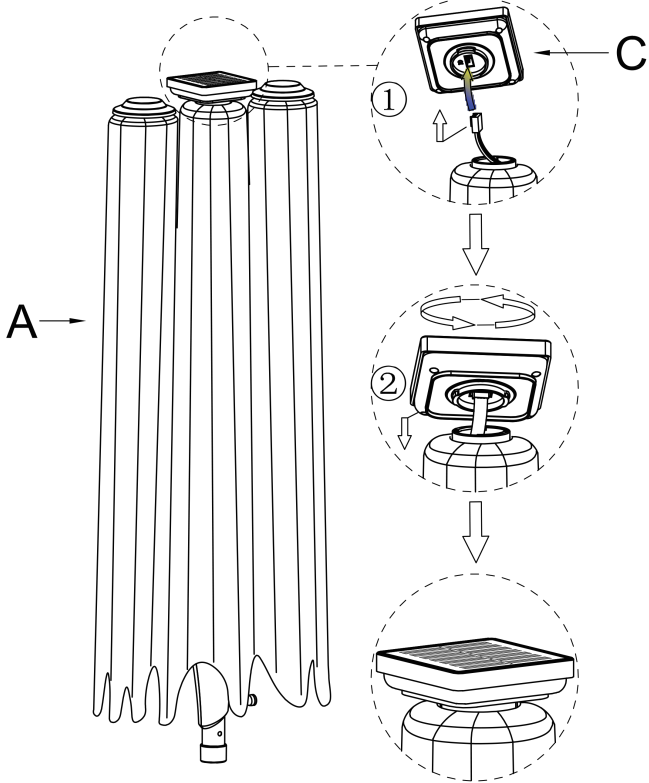
Warning: To extend the service life of the product, please do not use it in extreme weather conditions.



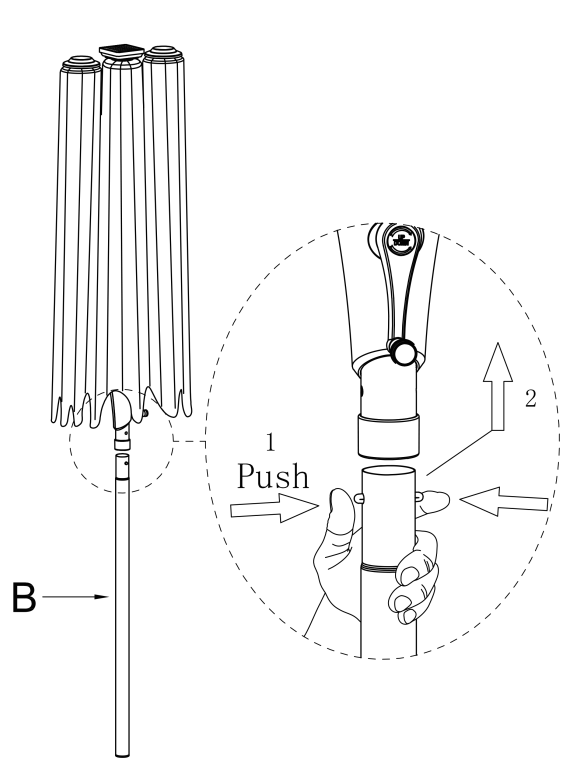
## PACKING LIST

A	1		Main body
B	1		Bottom pole
C	1		Solar panel

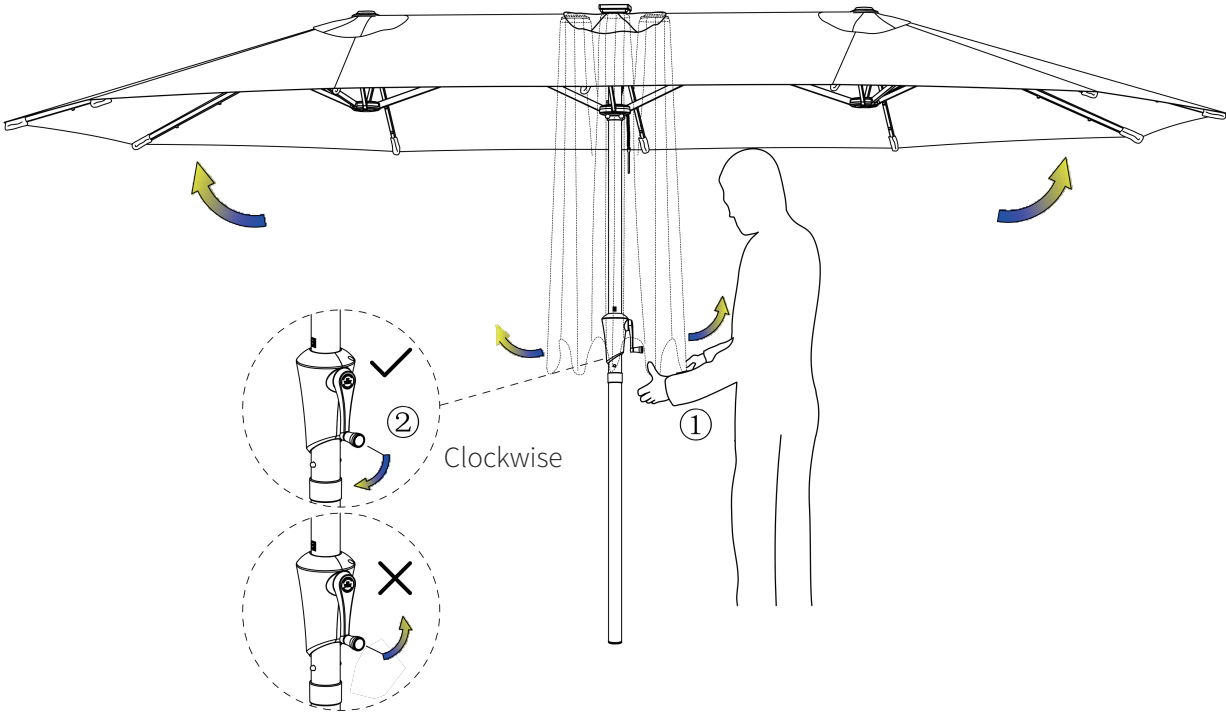
# HOW TO INSTALL



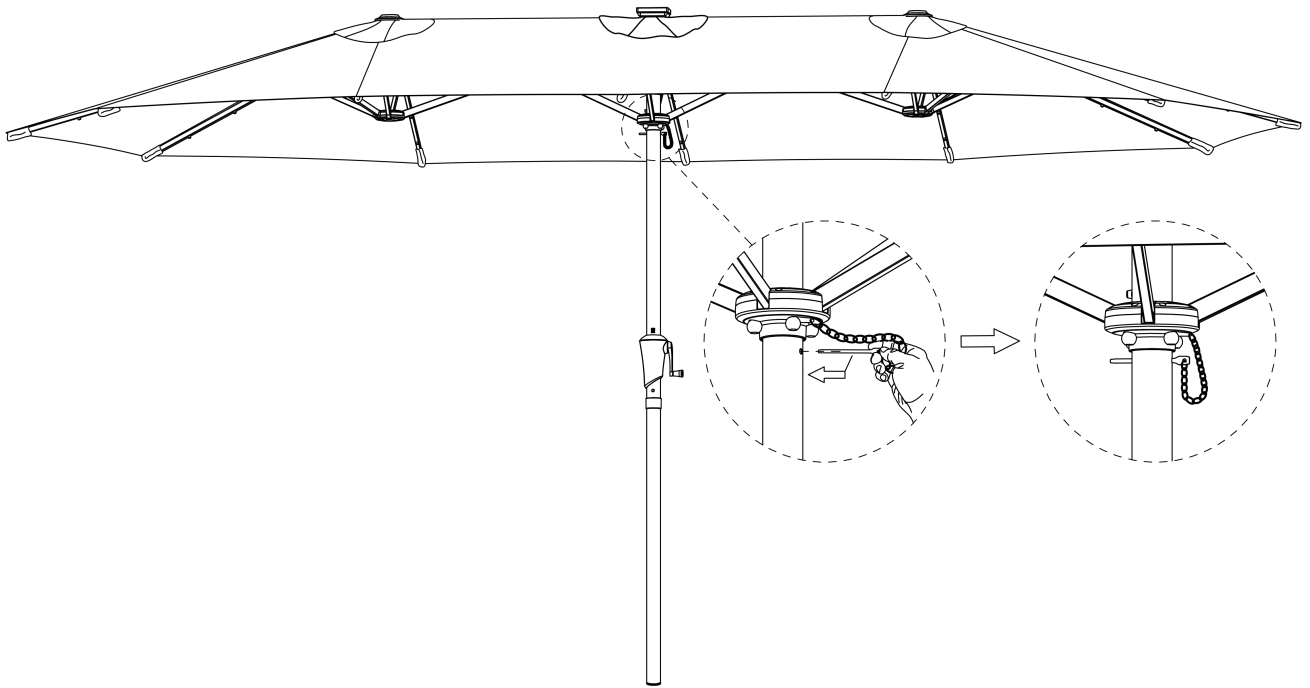
01. Install the solar panel on the top of the umbrella



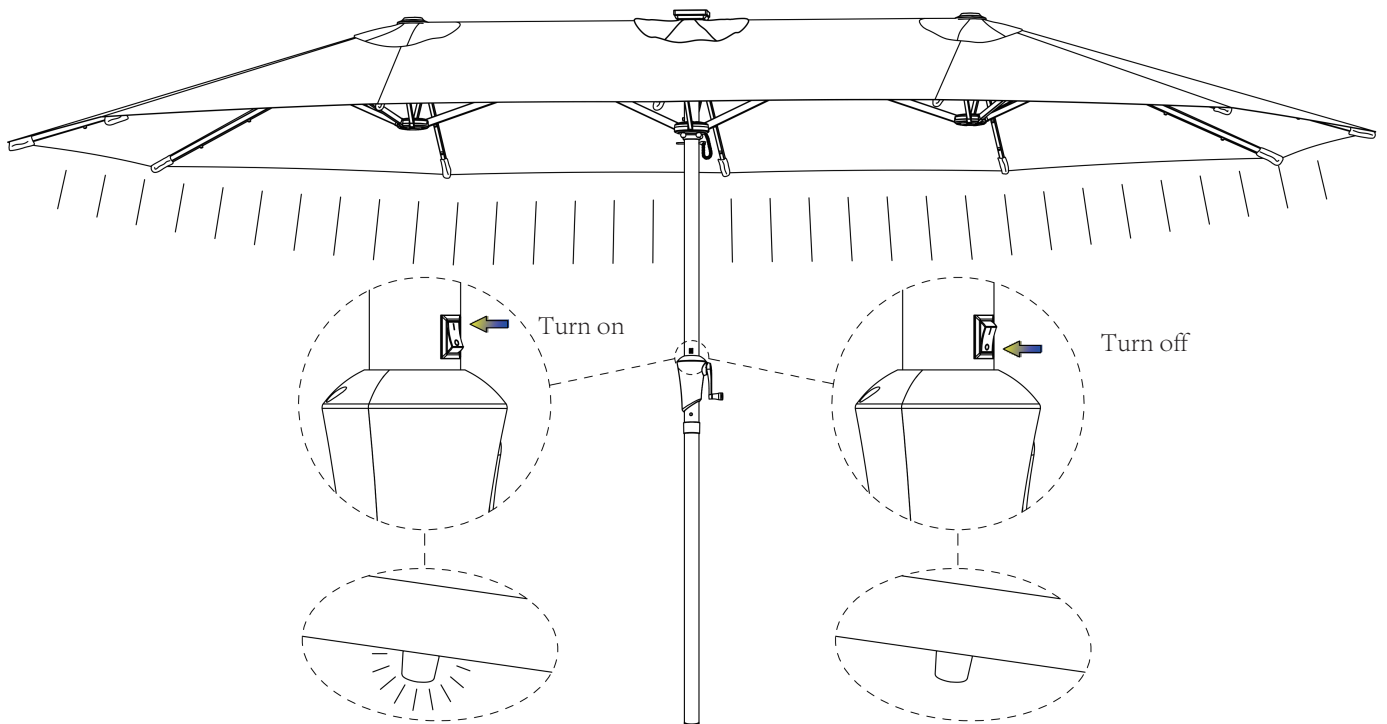
02. Press the button and install the bottom pole



03. Turn the handle to the clockwise to open the umbrella.



04. Insert the latch on the umbrella pole to fix the umbrella



05. The switch of the lights is on the umbrella pole, as shown in the picture.

