

ASSEMBLY INSTRUCTIONS

TWIN/FULL BED WITH DESK



ASSEMBLY INSTRUCTIONS



SAFETY WARNINGS



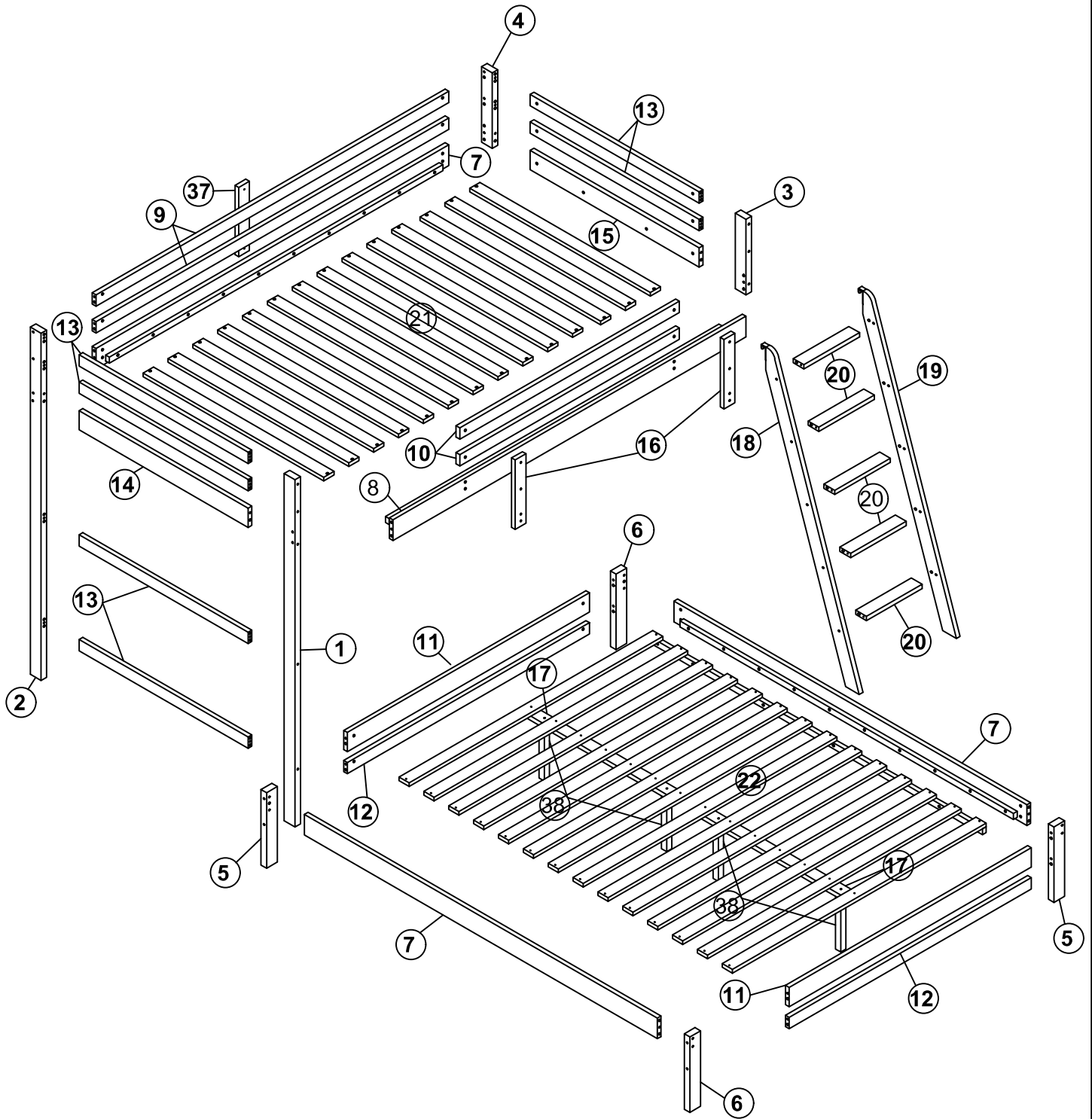
1. This bed is designed for use only mattress (es) meeting the following specifications on the upper bunk:
Lower bunk (bunk bed and tribed included)

Bed Type	Length	Width	Thickness
Full Standard	74" - 75"	53" - 54"	8" max

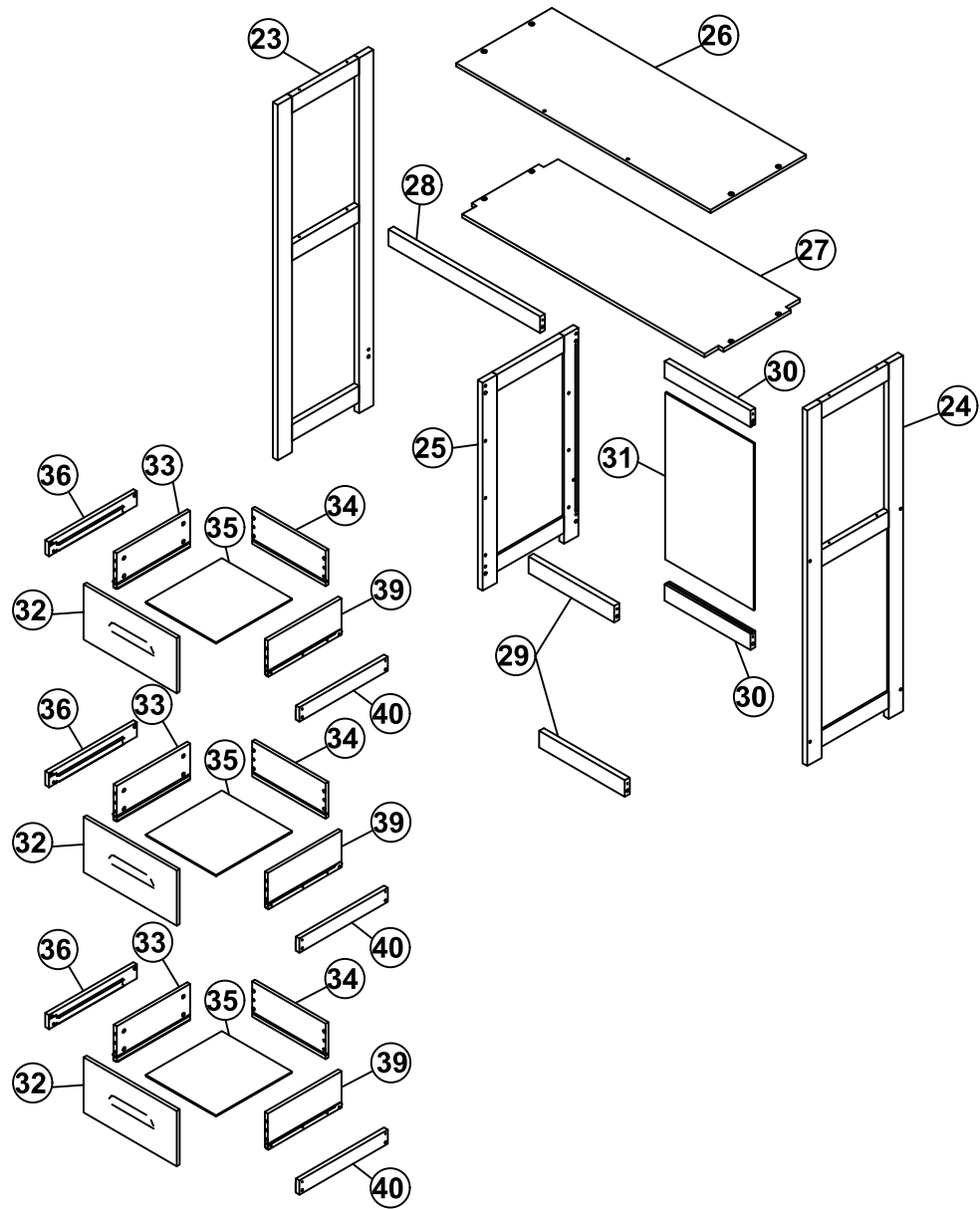
Upper bunk (bunk bed and tribed included)

Bed Type	Length	Width	Thickness
Twin Standard	74" - 75"	37 $\frac{1}{2}$ " - 38 $\frac{1}{2}$ "	6" max
2. Replacement parts, including additional guardrails, maybe obtained from any of our dealers
3. Follow the information on the warnings appearing on the upper bunk bed end structure and on the carton. Do not remove warning label from bed.
4. Always use the recommended size mattresses or mattress supports, or both, to help prevent the likelihood of entrapment or falls.
5. Surface of mattress must be at least 5" (127mm) below the upper edge of guardrails.
6. Do not allow children under 6 years of age to use the upper bunk.
7. Periodically check and ensure that the guardrail, ladder, and other components are in their proper position, free from damage, and that all connectors are tight.
8. Do not allow horseplay on or under the bed and prohibit jumping on the bed.
9. Always use the ladder for entering and leaving the upper bunk.
10. Do not use substitute part. Contact the manufacture or dealer for replacement part.
11. Use of a night light may provide added safety precaution for a child using the upper bunk.
12. Always use guardrails on both long sides of the upper bunk. If the bunk bed will be placed next to the wall, the guardrail that runs the full length of the bed should be placed against the wall to prevent entrapment between the bed and wall.
13. The use of water or sleep flotation mattresses is prohibited.
14. **STRANGULATION HAZARD** - Never attach or hang items to any part of the bunk bed that are not designed for use with the bed; for example, but not limited to, hook, belts and jump ropes.
15. Keep these instruction for future reference.
16. Prohibit more than one person on upper bunk
17. We recommend assembling your bunk bed on the shipping carton to protect your floor or carpet.
18. Be certain all staples are out of the box before beginning assembly on the shipping carton.

ASSEMBLY INSTRUCTIONS



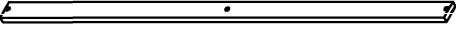
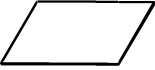
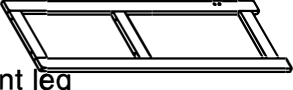
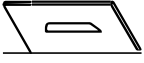
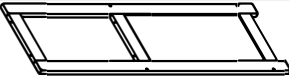



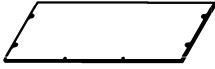
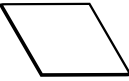


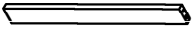

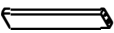
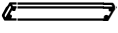


ASSEMBLY INSTRUCTIONS




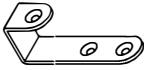






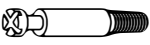








ASSEMBLY INSTRUCTIONS

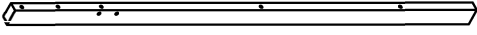
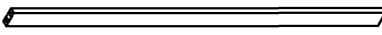
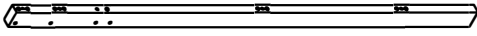

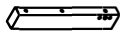
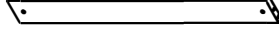
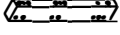
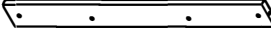
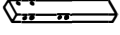
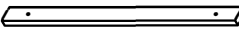
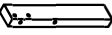
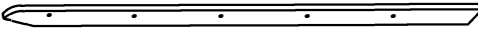
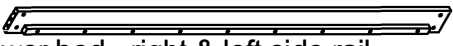
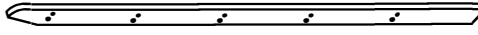
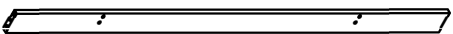
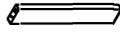

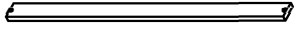
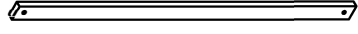

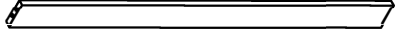

PARTS LIST

16	 Upper bed - front guard rail support	2pcs	30	 Frame back support bar	2pcs
22	 Lower bed slats	14pcs	31	 Frame board	1pc
23	 Frames left front leg	1pc	32	 Drawer front panels	3pcs
24	 Frames left back leg	1pc	33	 Drawer side left panels	3pcs
25	 Frames middle leg	1pc	34	 Drawer back panels	3pcs
26	 Planks top drawers	1pc	35	 Drawer bottom panels	3pcs
27	 Planks between drawers	1pc	36	 Drawer support panels	3pcs
28	 Frame support bar	1pc	39	 Drawer side right panels	3pcs
29	 Frame front support bar	2pcs	40	 Drawer support right panels	3pcs

HARDWARE LIST

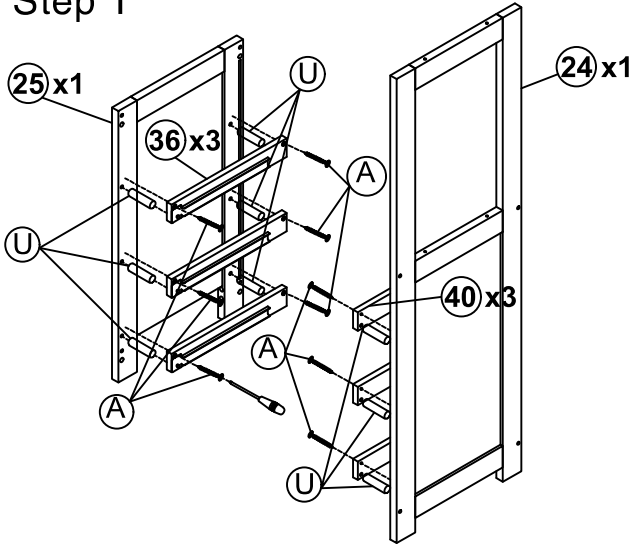
A	Ø4x25		12PCS	I	1/4x35		8PCS
B	Ø8x30		12PCS	K	70x18x2		2PCS
C	6.5x60		24PCS	L	1/4x60		2PCS
D	Ø10x40		68PCS	M	Ø4x30		73PCS
E	6.5x40		8PCS	N	Ø4x15		6PCS
F	Ø 6.5x35		24PCS	Q	Ø12x10		24PCS
G	1/4x100		24PCS	J	4x58		1PC
H	1/4x75		20PCS	P	1/4x25		4PCS
				U	Ø8x20		12PCS

ASSEMBLY INSTRUCTIONS

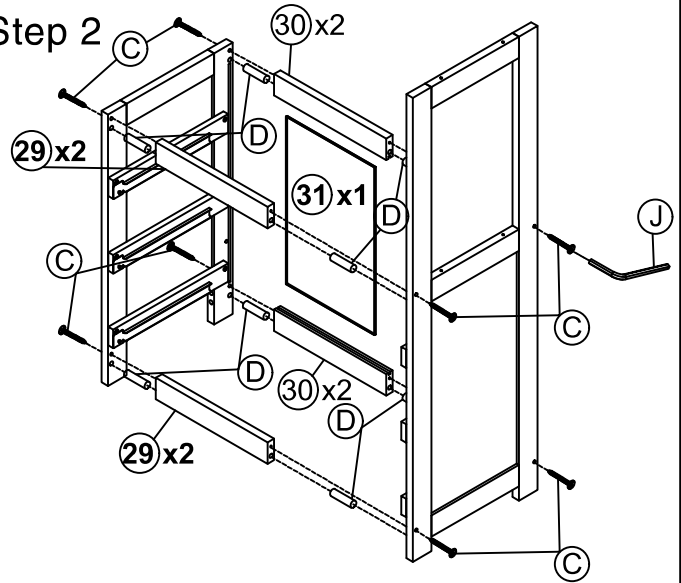
1	 Upper - Left front leg	1pc	12	 Lower bed - head board panels	2pcs
2	 Upper - Left back leg	1pc	13	 Upper bed - Head board panels	6pcs
3	 Upper - Right front leg	1pc	14	 Upper bed - Head board panels	1pc
4	 Upper - Right back leg	1pc	15	 Upper bed - Head board panels	1pc
5	 Lower - Left back leg & right front legs	2pcs	17	 Center rails	2pcs
6	 Lower - Left front leg & right back leg	2pcs	18	 Ladder left leg	1pc
7	 Lower bed - right & left side rail Upper bed - back side rail	3pcs	19	 Ladder right leg	1pc
8	 Upper bed - front side rail	1pc	20	 Ladder step	5pcs
9	 Upper bed - back guard rails	2pcs	21	 Upper bed slats	14pcs
10	 Upper bed - front guard rails	2pcs	37	 Back guard rails support	1pc
11	 Lower bed - head board panels	2pcs	38	 Center rails support legs	4pcs

ASSEMBLY INSTRUCTIONS

Step 1




Step 2




C	6.5x60		8PCS
----------	--------	---	------

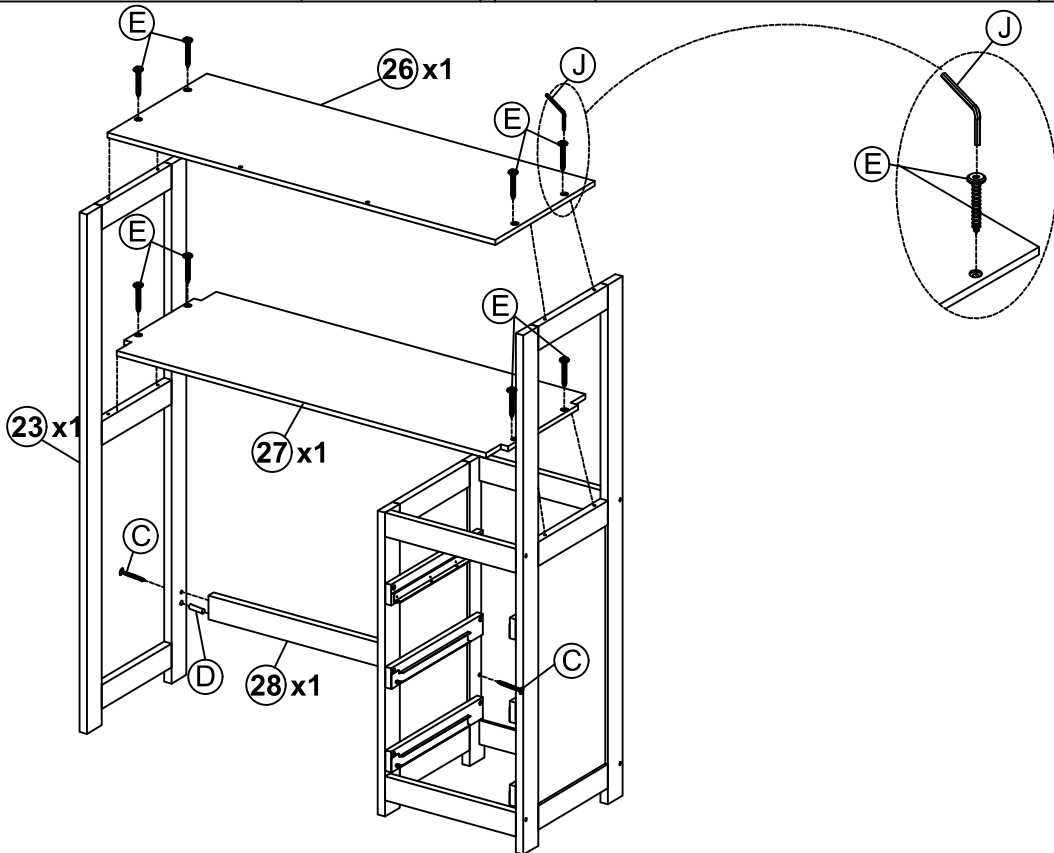
D	Ø10x40		8PCS
----------	--------	---	------

J	4x58		1PC
----------	------	--	-----

A	Ø4x25		12PCS
----------	-------	---	-------


U	Ø8x20		12PCS
----------	-------	--	-------


Step 3



E	6.5x40		8PCS
----------	--------	---	------

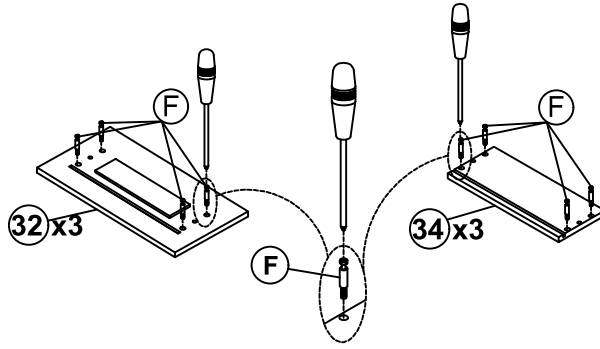
D	Ø10x40		2PCS
----------	--------	---	------

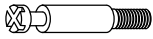
C	6.5x60		2PCS
----------	--------	---	------

J	4x58		1PC
----------	------	---	-----

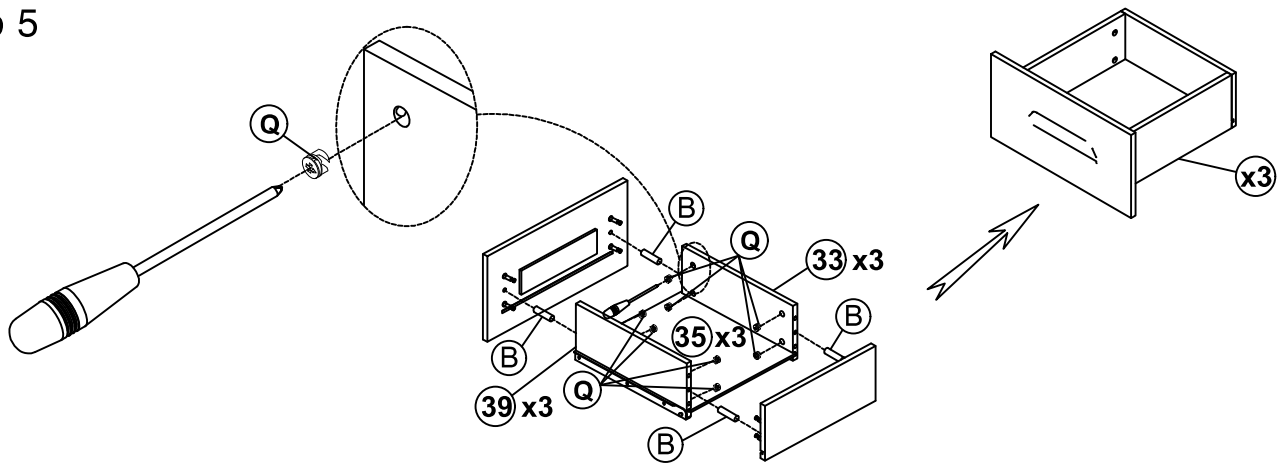
ASSEMBLY INSTRUCTIONS



Step 4



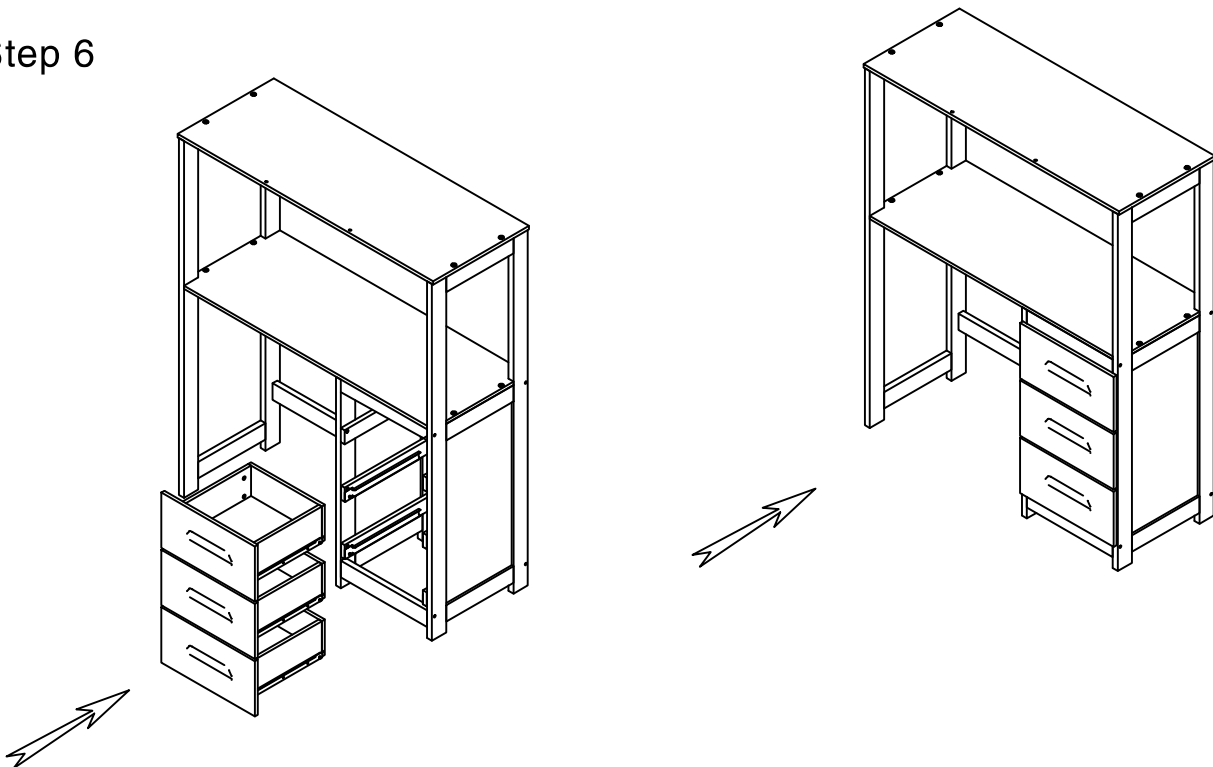
F	Ø 6.5x35		24PCS
----------	----------	---	-------

Step 5



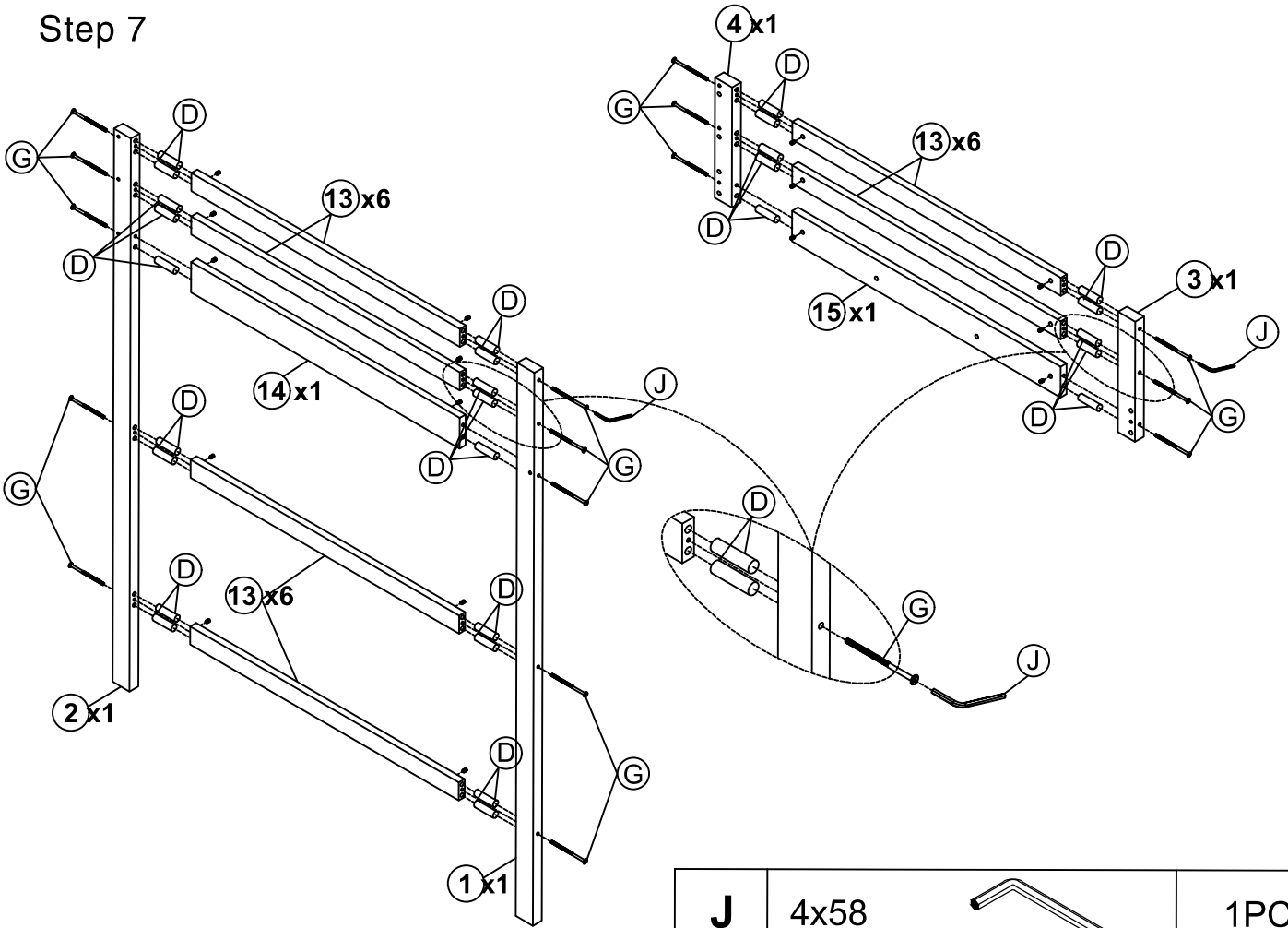
Q	Ø15x12		24PCS	B	Ø8x30		12PCS
----------	--------	---	-------	----------	-------	---	-------




Step 6



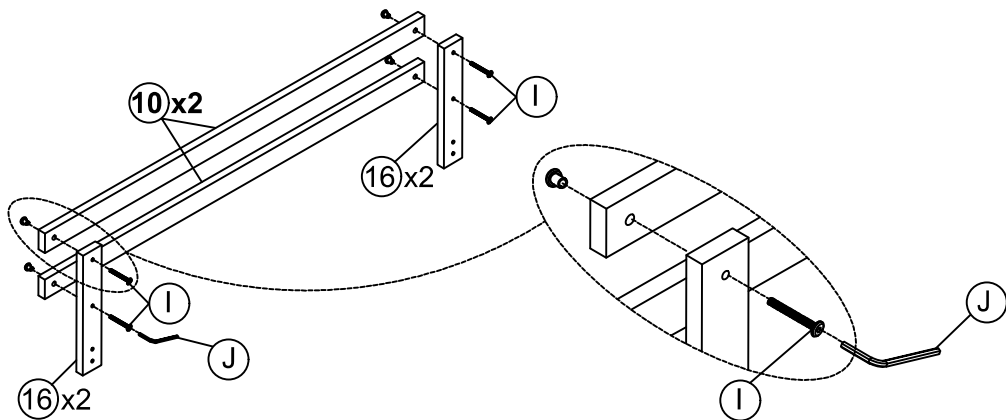
ASSEMBLY INSTRUCTIONS

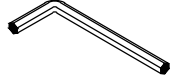

Step 7



J	4x58		1PC
D	Ø10x40		28PCS
G	1/4x100		16PCS

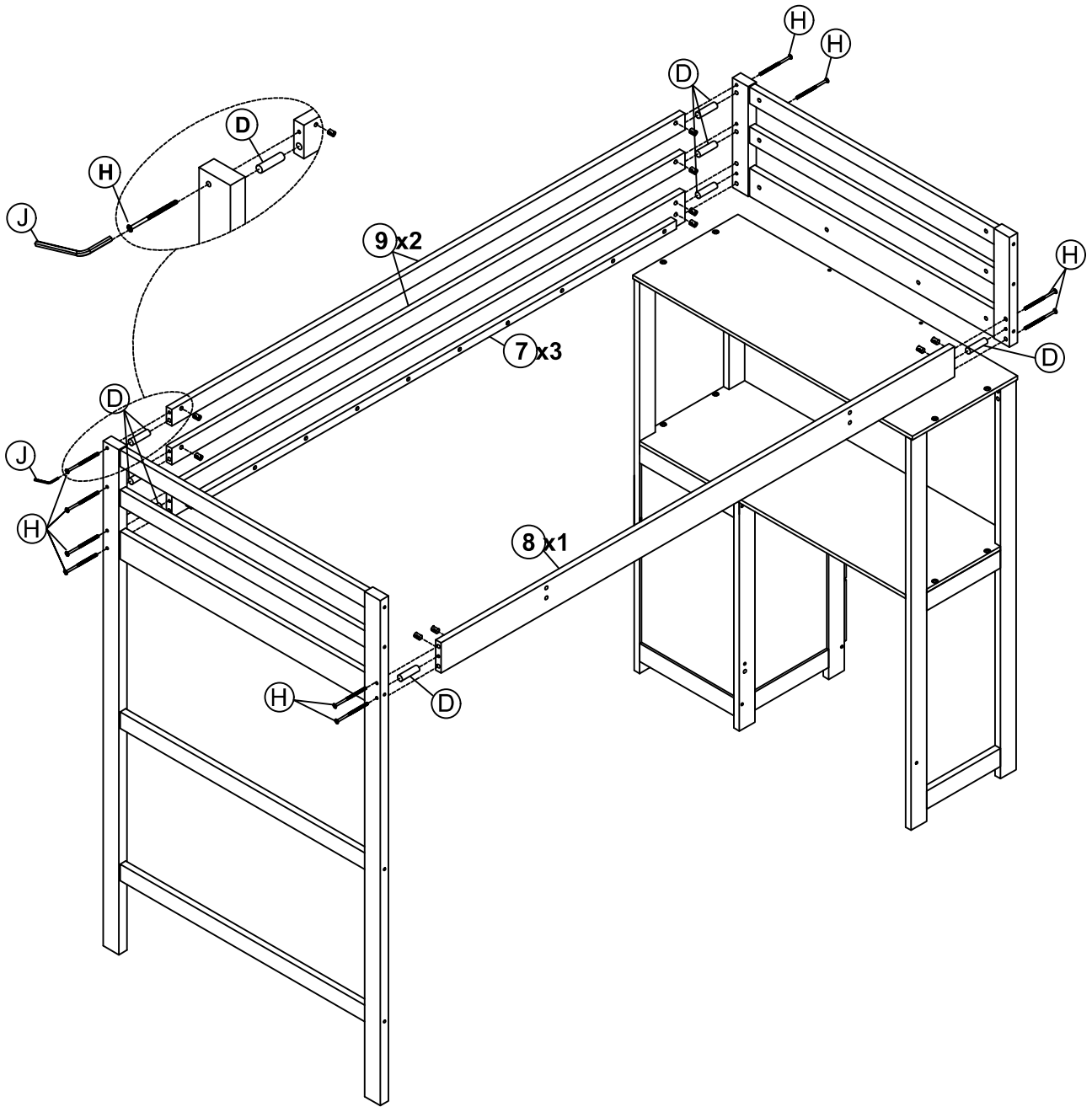
Step 8

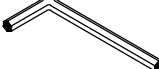




J	4x58		1PC	I	1/4x35		4PCS
----------	------	---	-----	----------	--------	---	------

ASSEMBLY INSTRUCTIONS

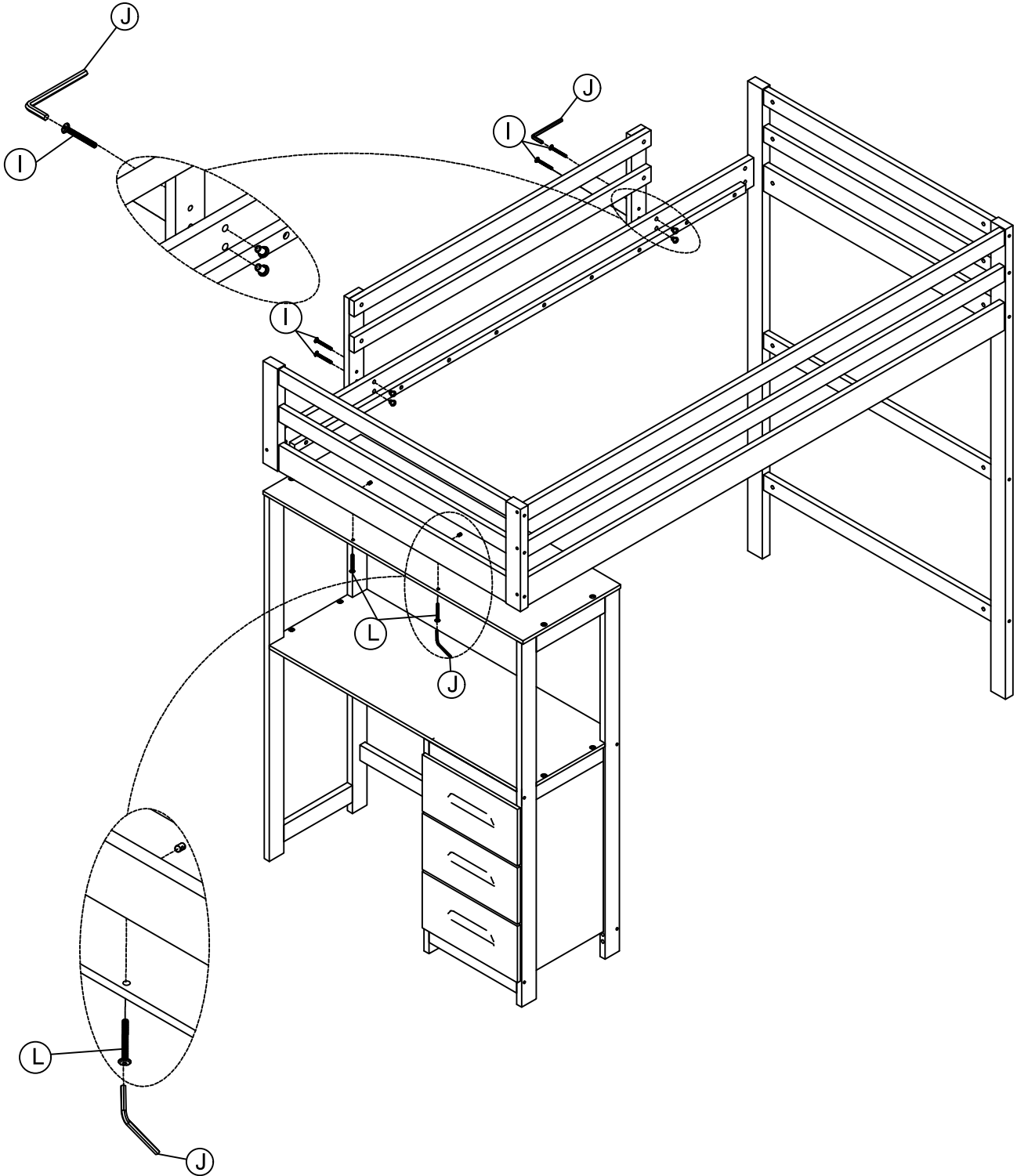
Step 9






J	4x58		1PC
D	Ø10x40		8PCS
H	1/4x75		12PCS

ASSEMBLY INSTRUCTIONS

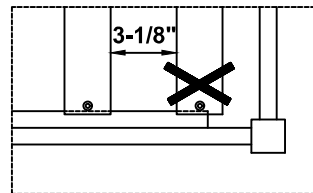
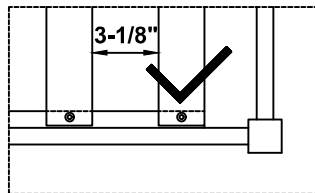
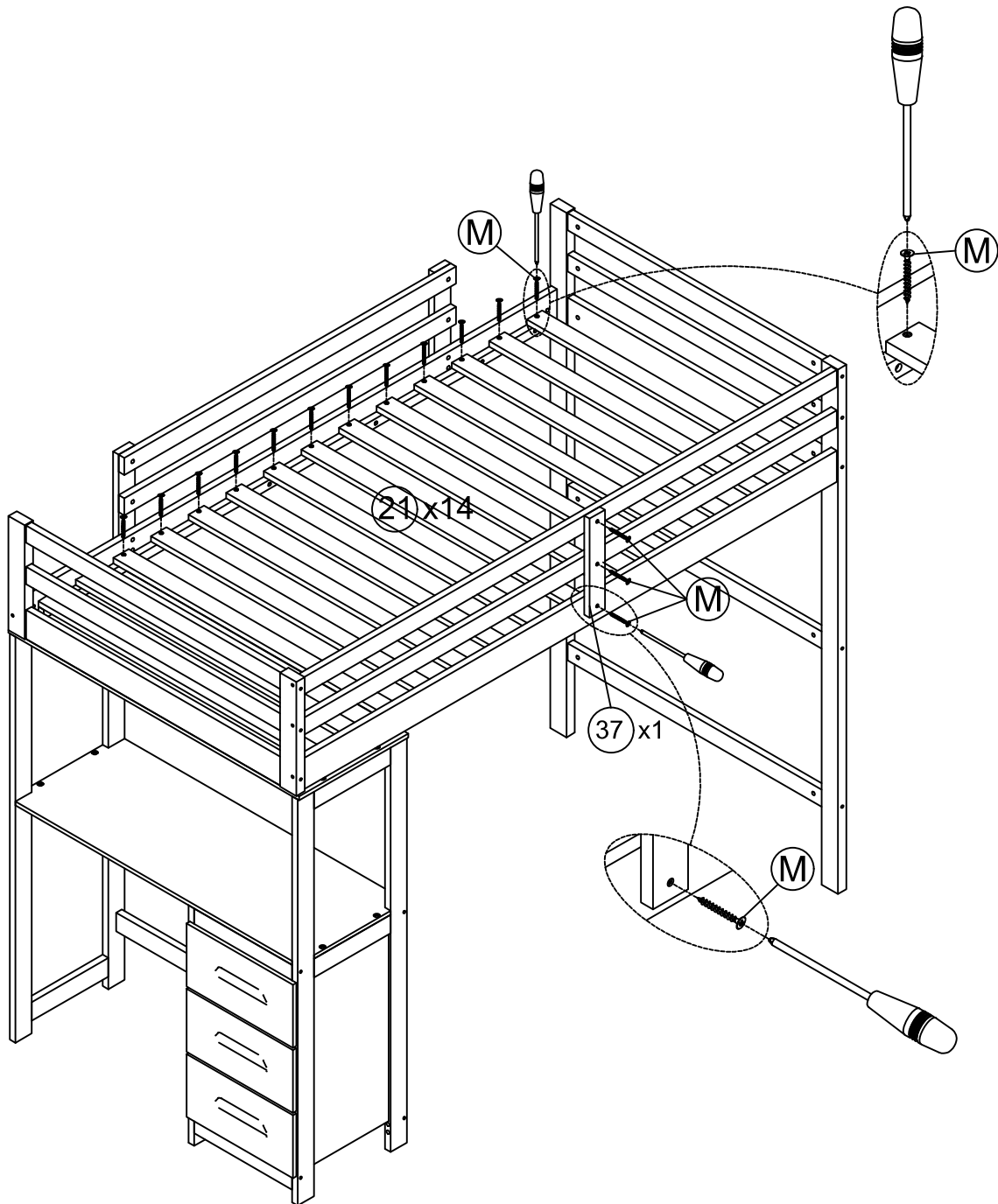
Step 10



L	1/4x60		2PCS			
J	4x58		1PC	I	1/4x35	 4PCS

ASSEMBLY INSTRUCTIONS

Step 11



Note : Do not lock the screws of the bed slats to the outermost edge of the bed slats, you need to leave a certain space at the edges, otherwise it will cause the board to break.

M

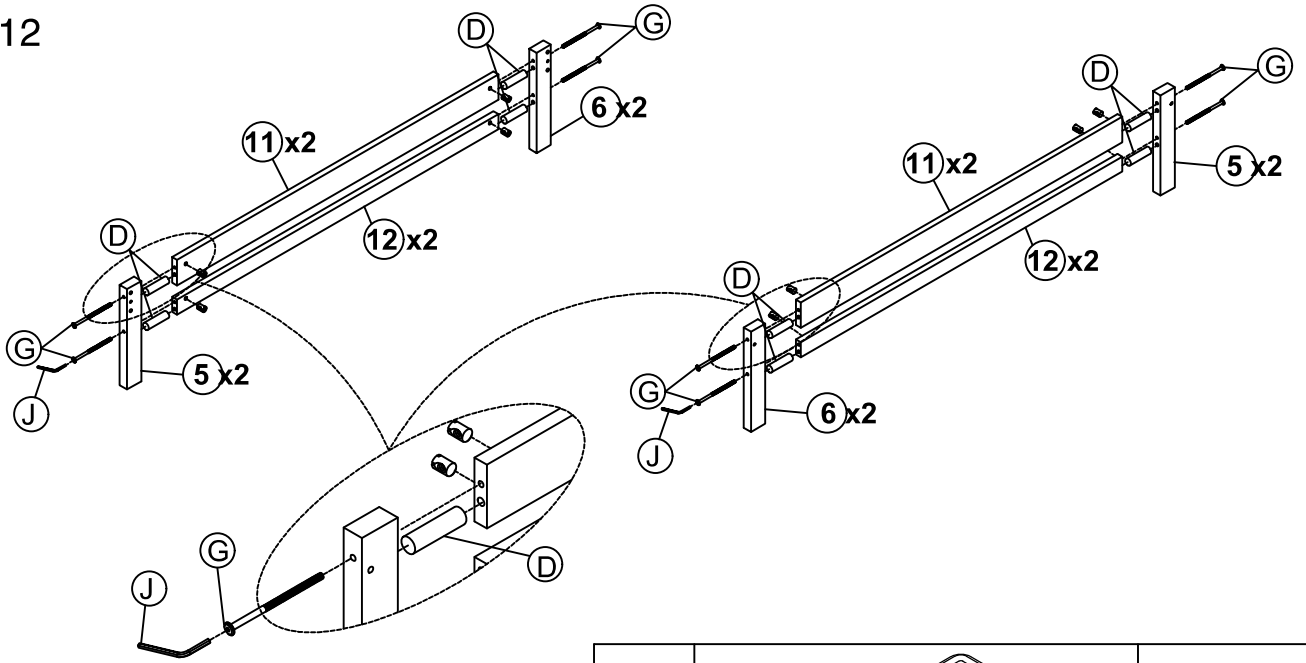
Ø4x30






31PCS

ASSEMBLY INSTRUCTIONS

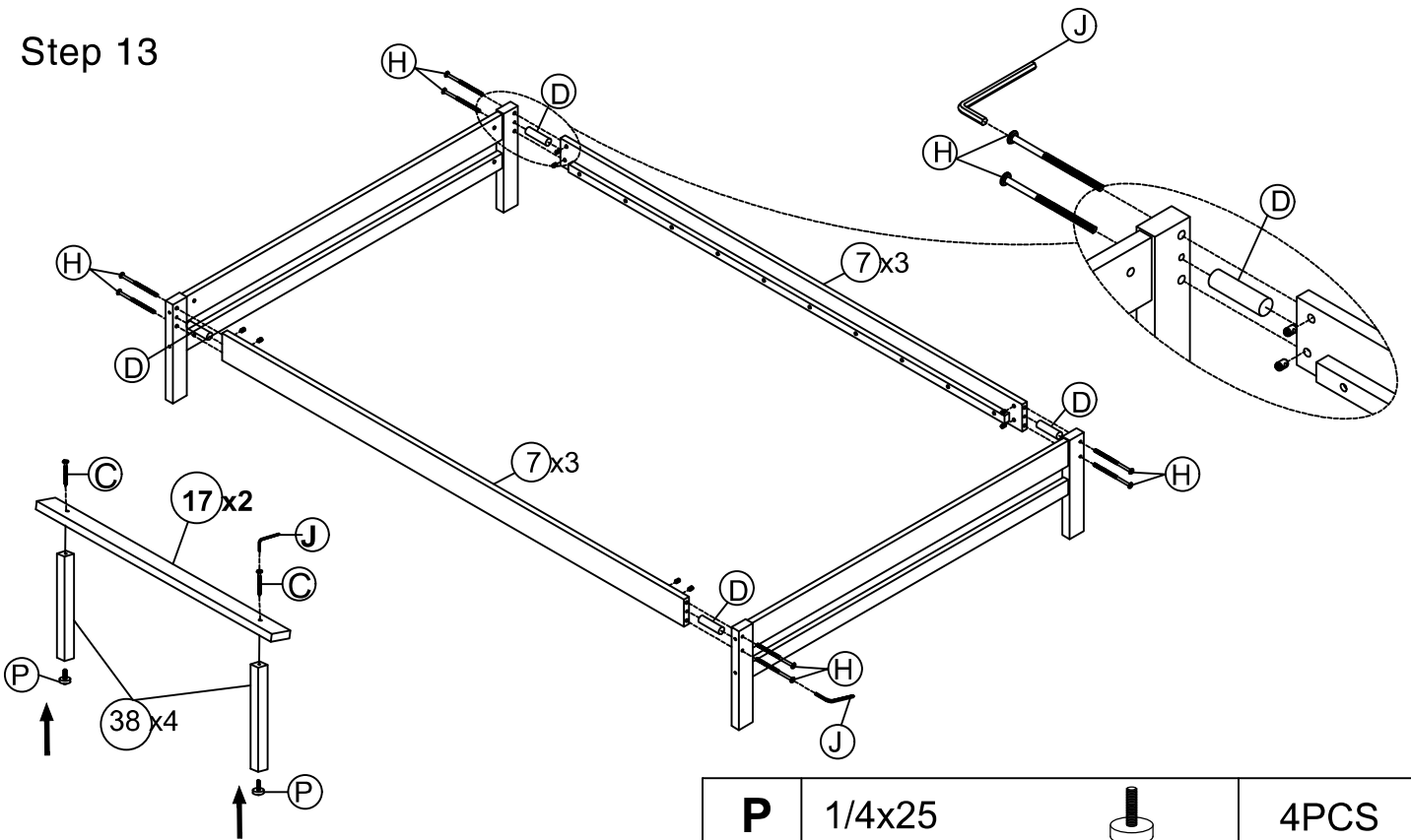
Step 12








J	4x58		1PC
G	1/4x100		8PCS

D	Ø10x40		8PCS
----------	--------	---	------

Step 13

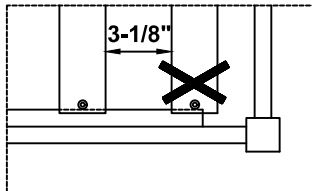
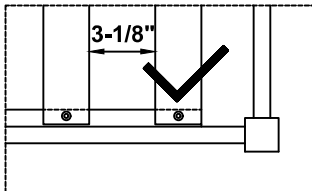
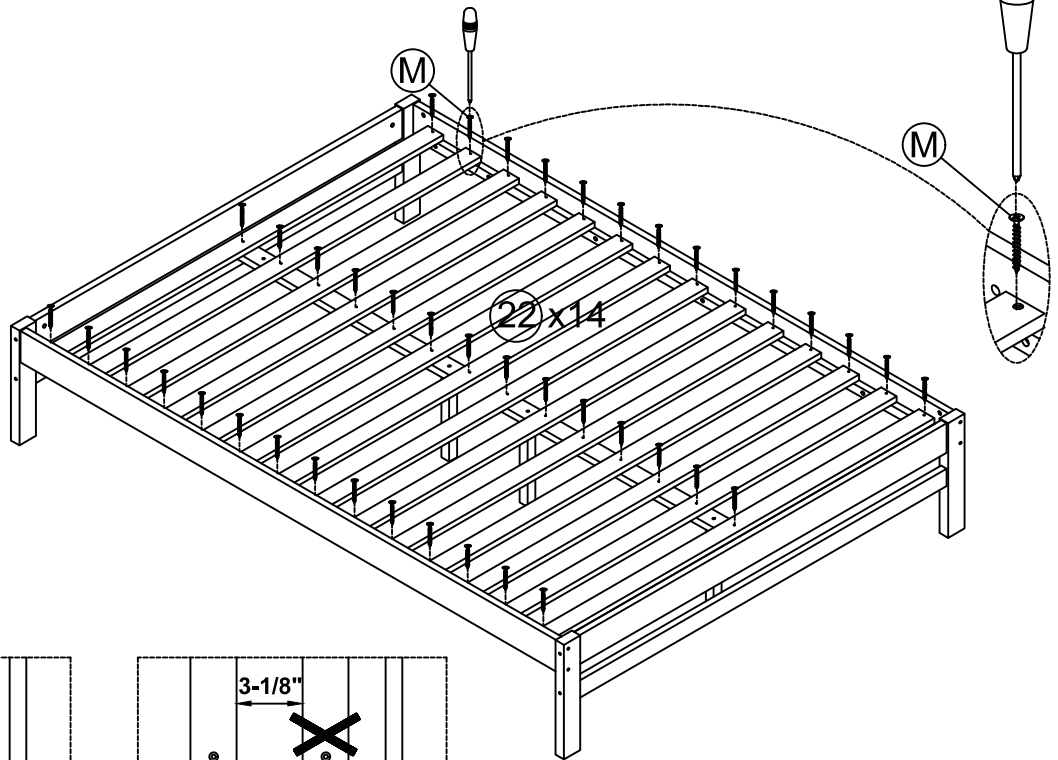


P	1/4x25		4PCS
C	6.5x60		4PCS
H	1/4x75		8PCS

J	4x58		1PC
D	Ø10x40		4PCS

ASSEMBLY INSTRUCTIONS

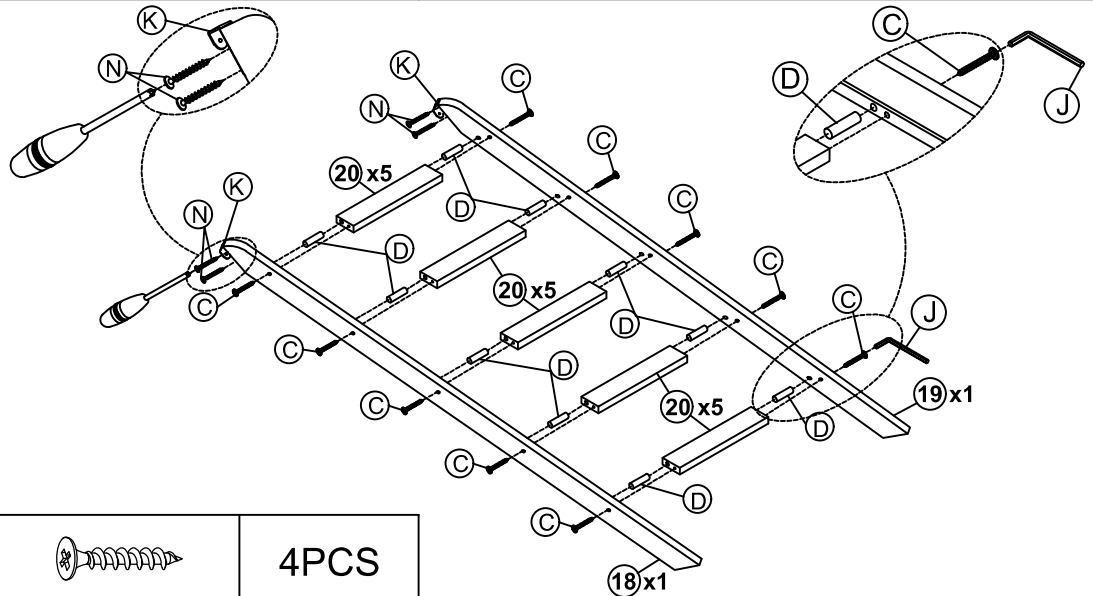
Step14



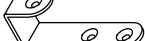
Note : Do not lock the screws of the bed slats to the outermost edge of the bed slats, you need to leave a certain space at the edges, otherwise it will cause the board to break.

M Ø4x30  42PCS


Step15



N Ø4x15  4PCS

K 70x26x18  2PCS

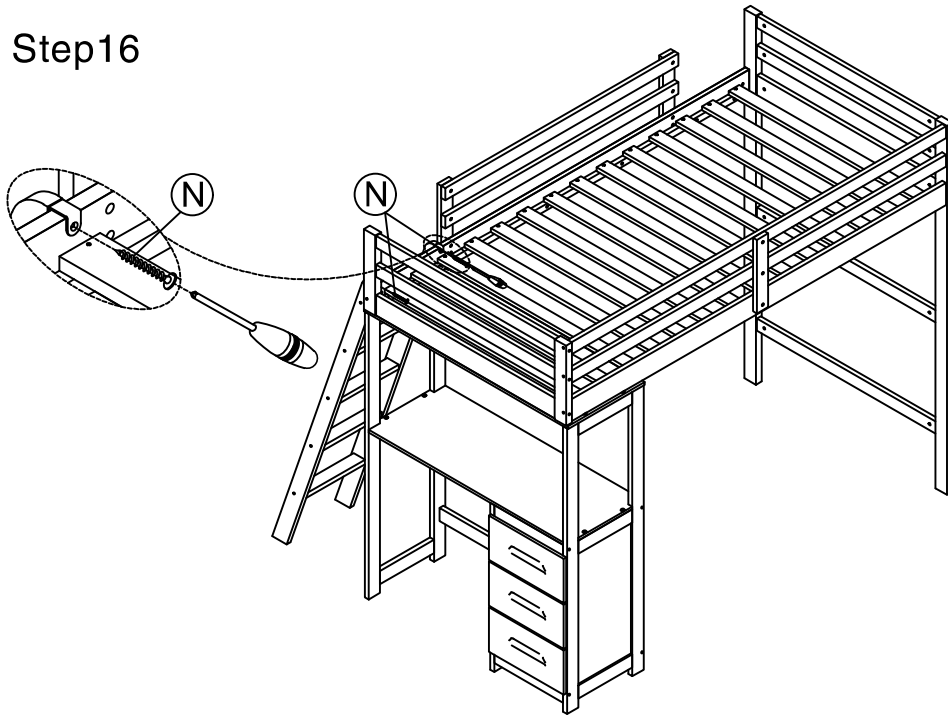
D Ø10x40  10PCS

J 4x58  1PC

C 6.5x60  10PCS

ASSEMBLY INSTRUCTIONS

Step16



N

Ø4x15



2PCS

Step17

