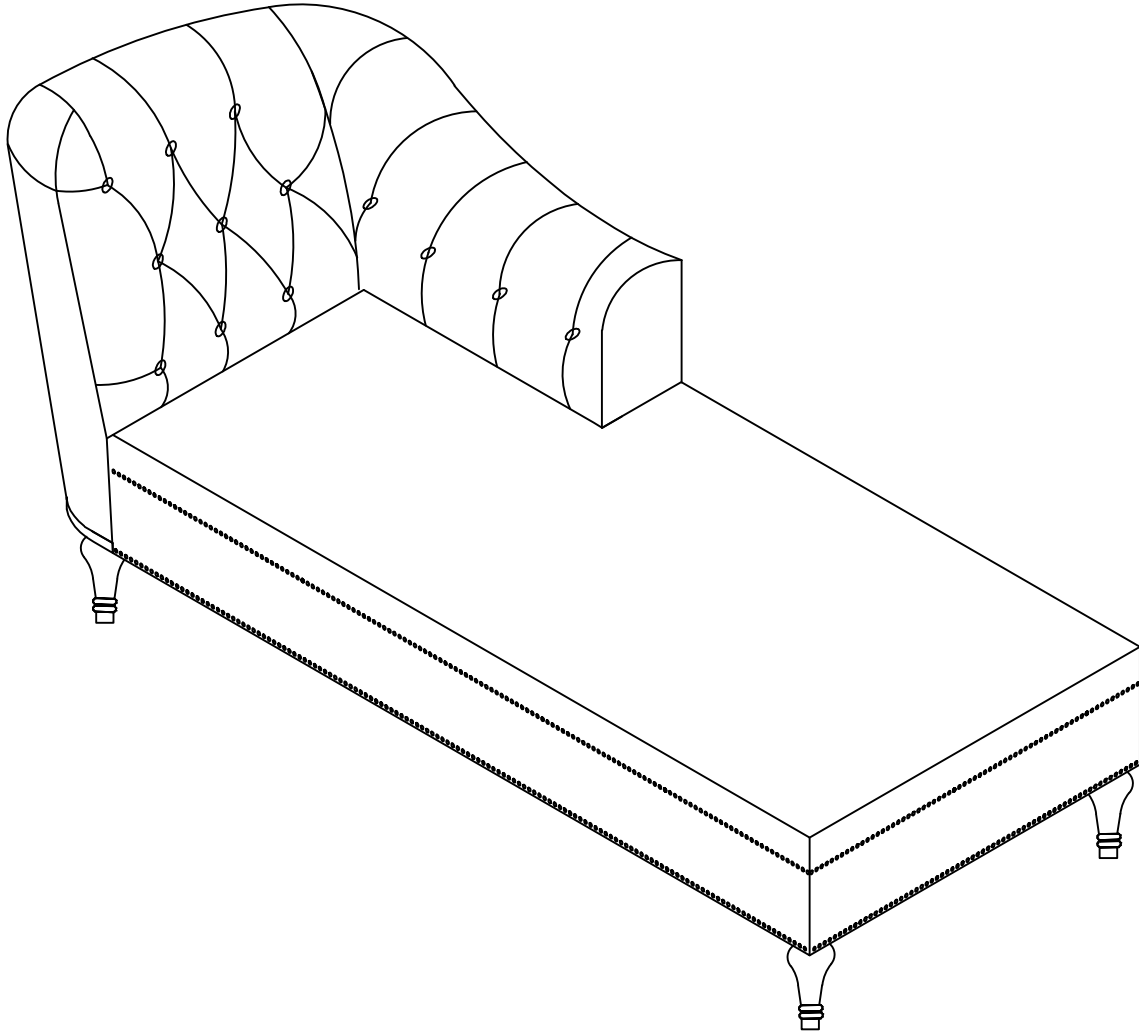


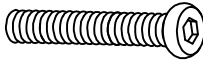
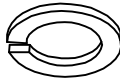
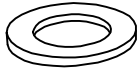

ASSEMBLY INSTRUCTION

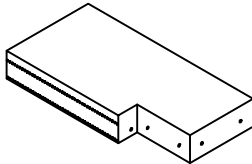
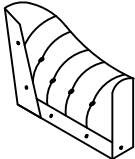
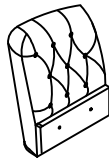

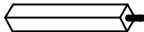


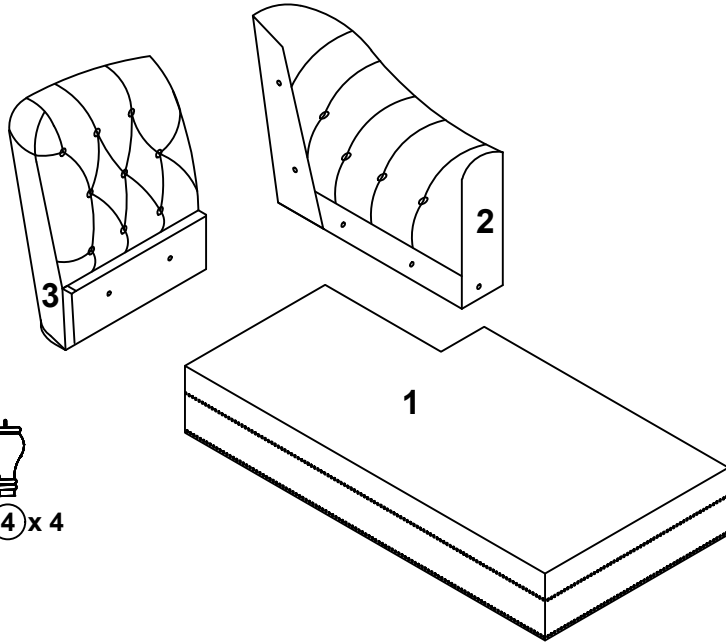
Return & Warranty policy:

- We strive to offer the highest quality products, and we also try our best to satisfy each and every customer that orders from us with replacement parts or service as needed.
- If the item is damaged or defective, please take photos as evidence for replacements and refunds.
- Please do not return to store, contact the seller if you have any troubles with this product.

ASSEMBLY INSTRUCTION

HARDWARE			
NO	DESCRIPTION	SKETCH	QTY
A	Long Bolt (Ø 5/16 "X45mm)		7 pcs
B	Spring Washer (Ø 5/16 "-RBW)		7 pcs
C	Flat Washer (Ø 5/16 "-RBW)		7 pcs
D	Allen Wrench (M4x75mm x32mm)		1 pc

PARTS LIST			
NO	DESCRIPTION	SKETCH	QTY
1	Chaise Seat		1 pc
2	Chaise Arm		1 pc
3	Chaise Back		1 pc
4	Round Leg		4 pcs
5	Support Leg		1 pc







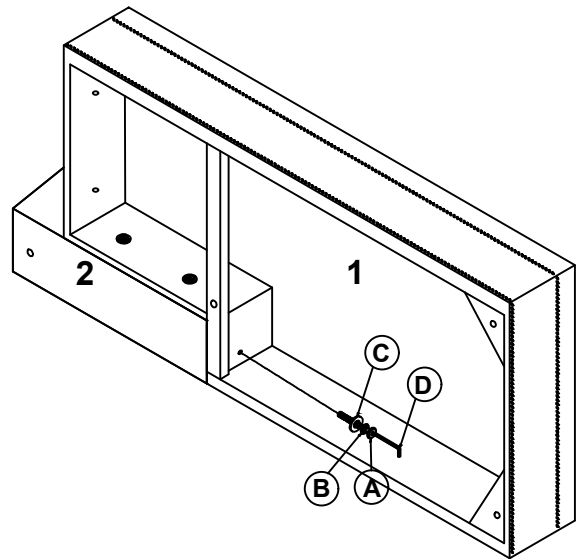
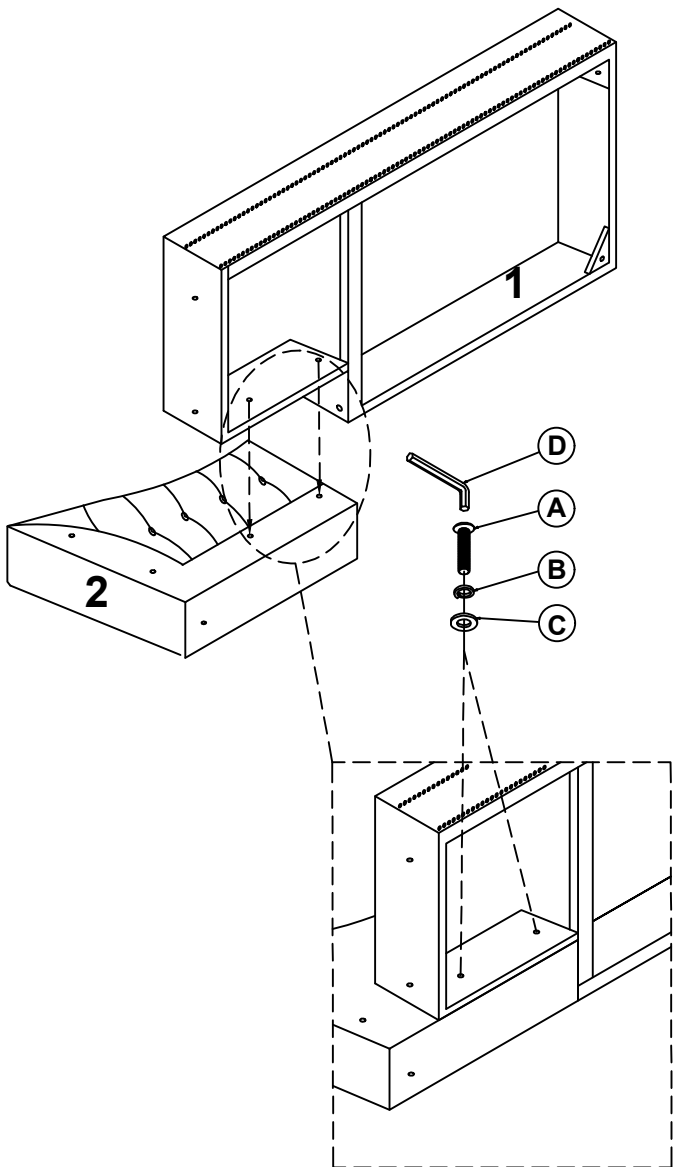
A		7
B		7
C		7
D		1

DIAGRAM 1:

Use A*3/B*3/C*3 and D to connect the chaise seat (part 1) and the chaise arm (part 2). Don't screw any bolt all in until the others are all put into the holes. To ensure the good looking of the chaise, remember to keep the bottom of the frame align. Tighten all the bolts.







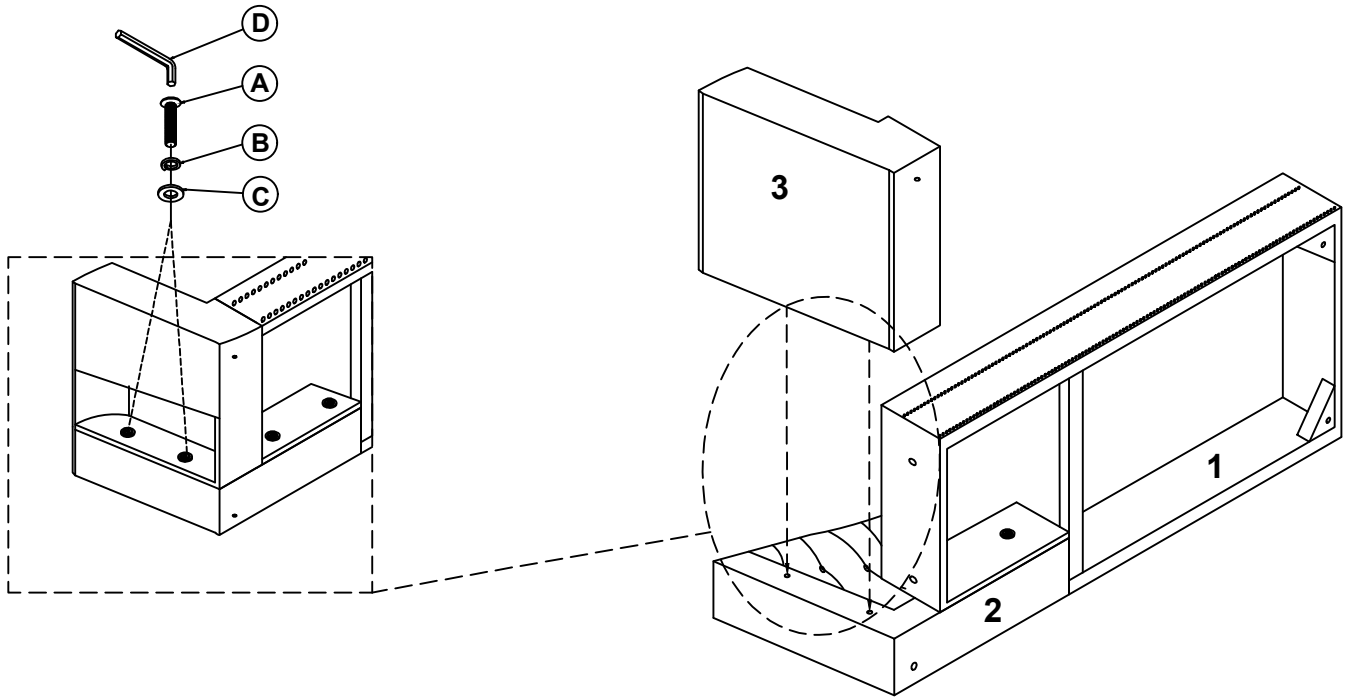
A	Bolt (Ø 5/16 "X45mm)		3pcs
B	Spring Washer (Ø 5/16 "-RBW)		3pcs
C	Flat Washer (Ø 5/16 "-RBW)		3pcs
D	Allen Wrench (M4x75mm x32mm)		1pc

DIAGRAM 2:

Use A*2/B*2/C*2 and D to connect the chaise arm (part 2) and chaise back (part 3). Don't screw any bolt all in until the others are all put into the holes. To ensure the good looking of the chaise, remember to keep the bottom of the frame align. Tighten all the bolts.







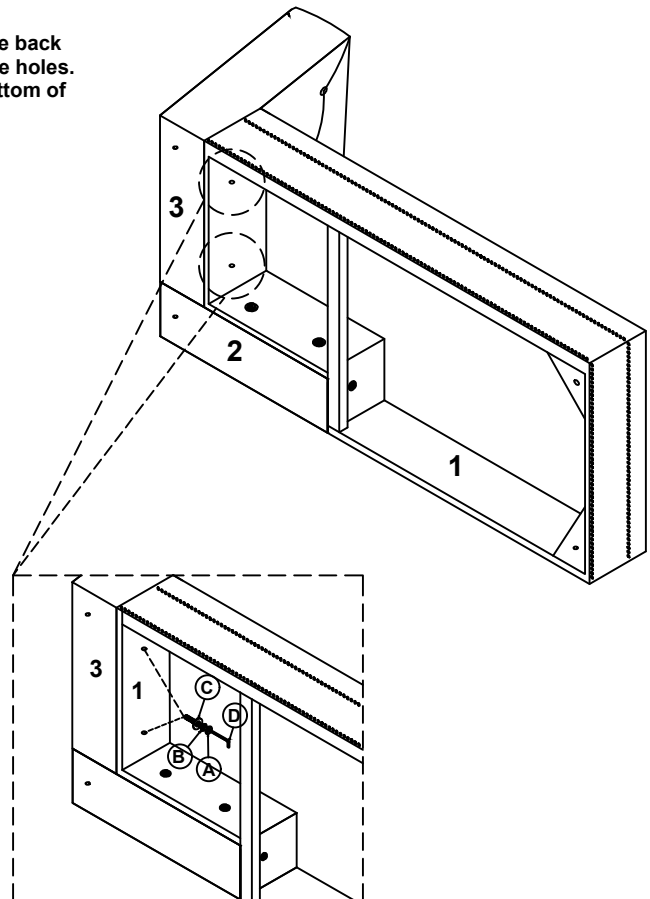
A	Bolt (Ø 5/16 "X45mm)		2pcs	B	Spring Washer (Ø 5/16 "-RBW)		2pcs
C	Flat Washer (Ø 5/16 "-RBW)		2pcs	D	Allen Wrench (M4x75mm x32mm)		1pc

DIAGRAM 3:

Use A*2/B*2/C*2 and D to connect the chaise seat (part 1) and chaise back (part 3). Don't screw any bolt all in until the others are all put into the holes. To ensure the good looking of the chaise, remember to keep the bottom of the frame align. Tighten all the bolts.







A	Bolt (Ø 5/16 "X45mm)		2pcs
B	Spring Washer (Ø 5/16 "-RBW)		2pcs
C	Flat Washer (Ø 5/16 "-RBW)		2pcs
D	Allen Wrench (M4x75mm x32mm)		1pc

DIAGRAM 4:

Screw in the 4 legs (part 4) clockwise one by one

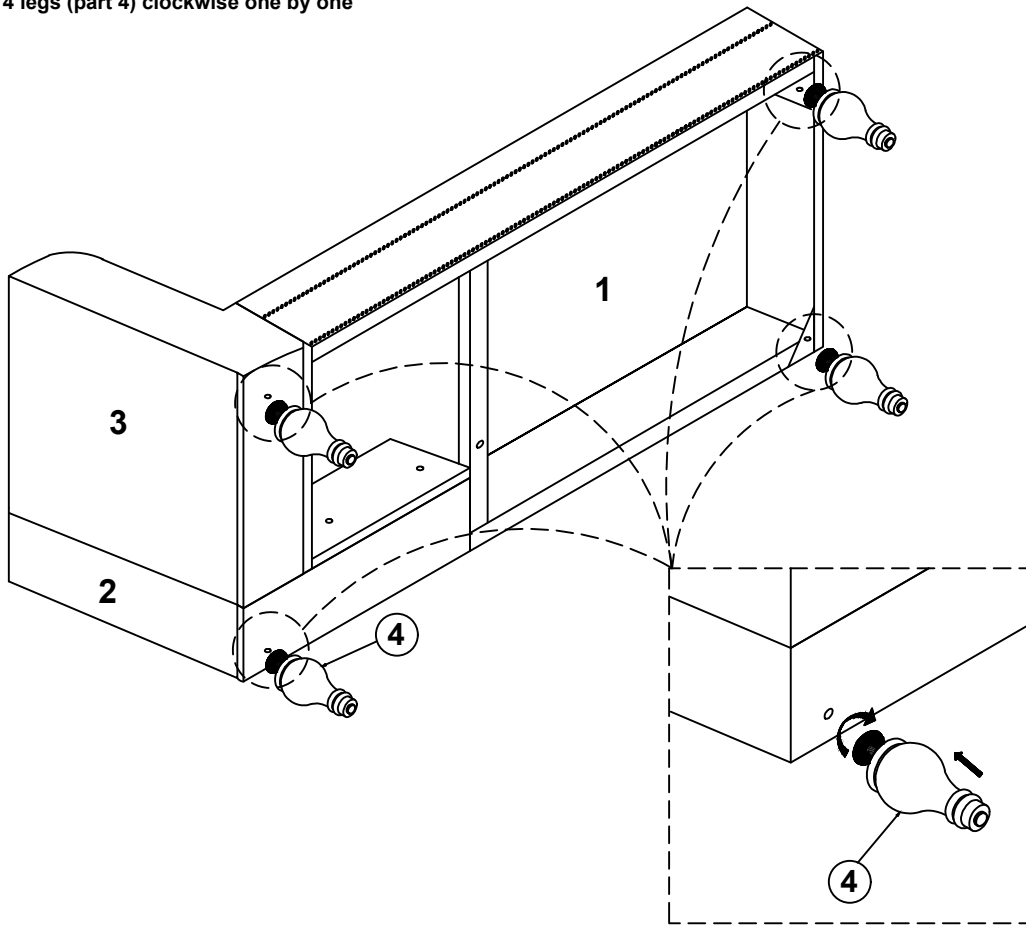


DIAGRAM 5:

Screw in the Support legs (part 5) clockwise

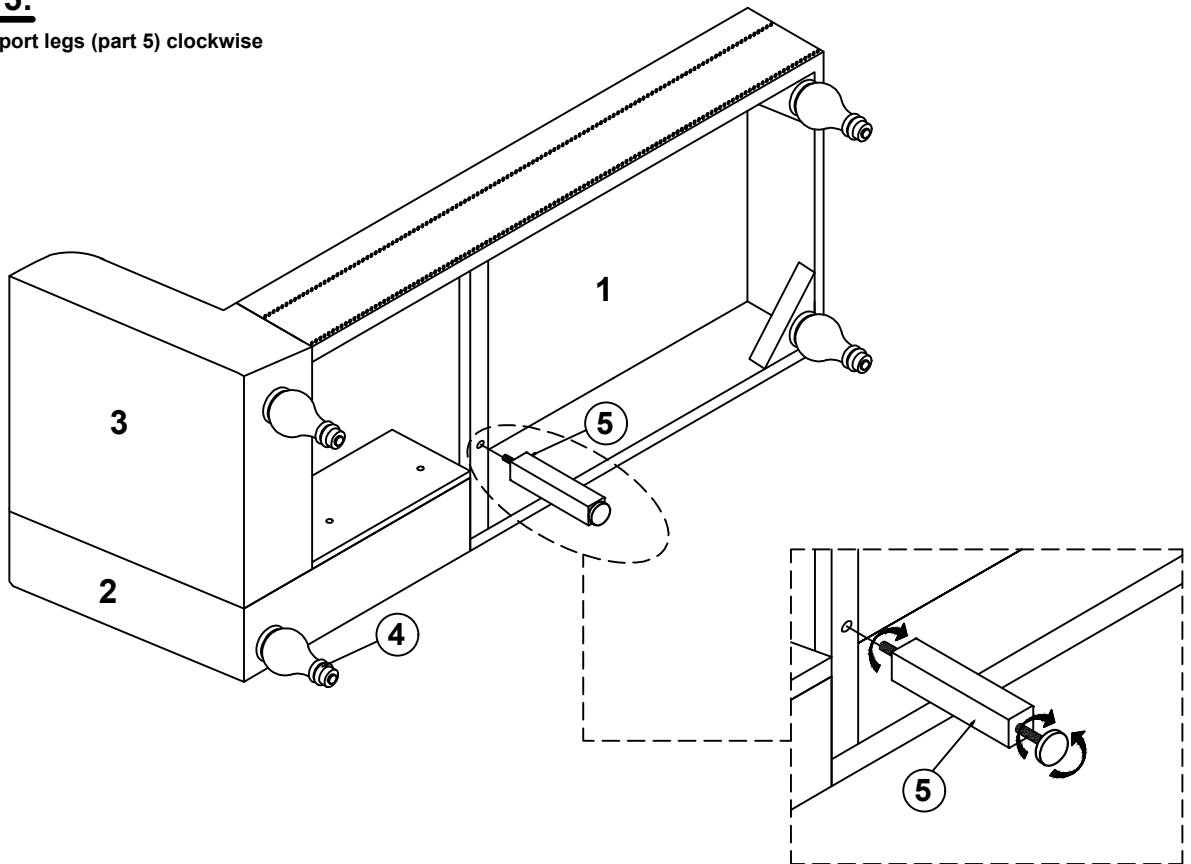
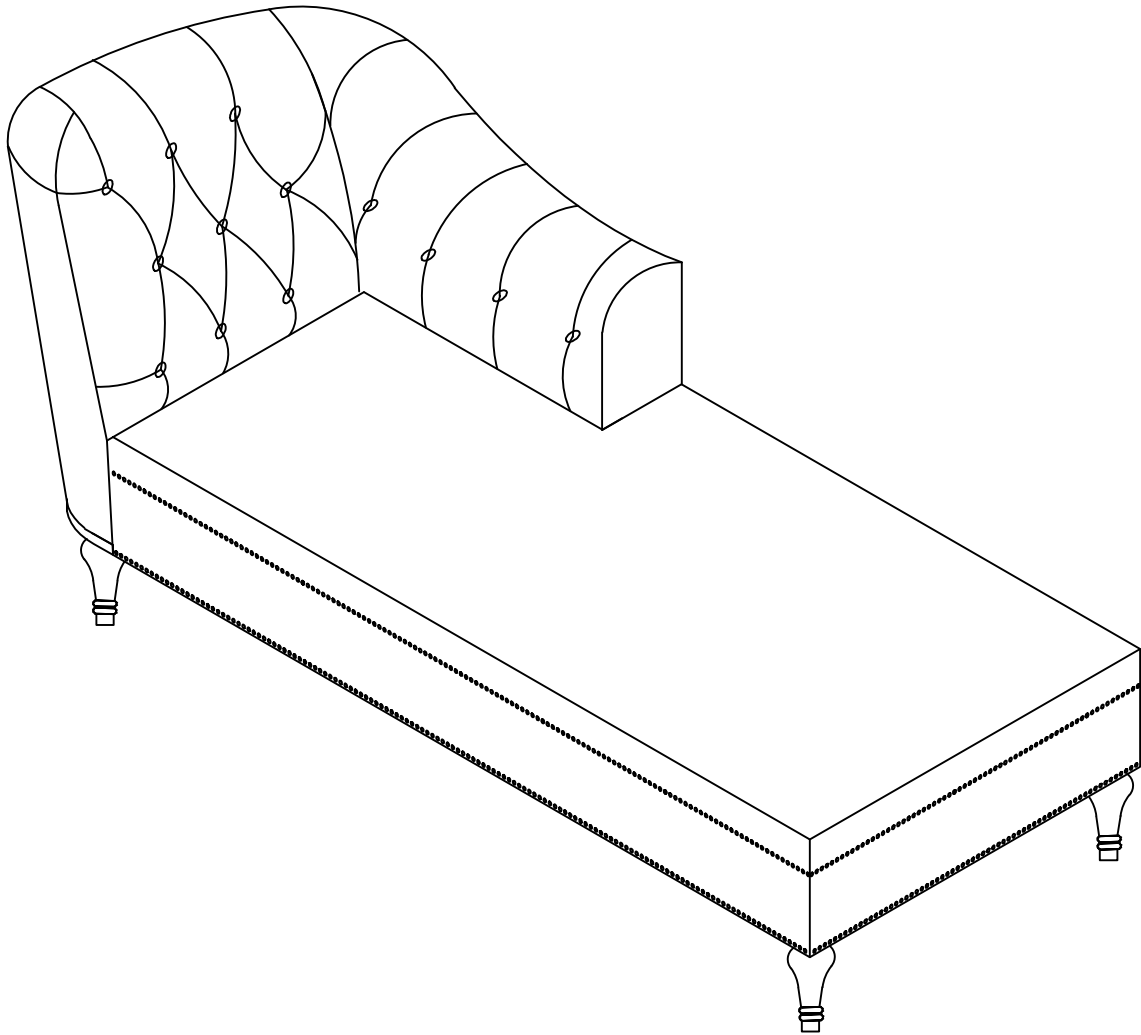


DIAGRAM 6:

Recheck all the bolts before you sit on the chaise.



COMPLETE