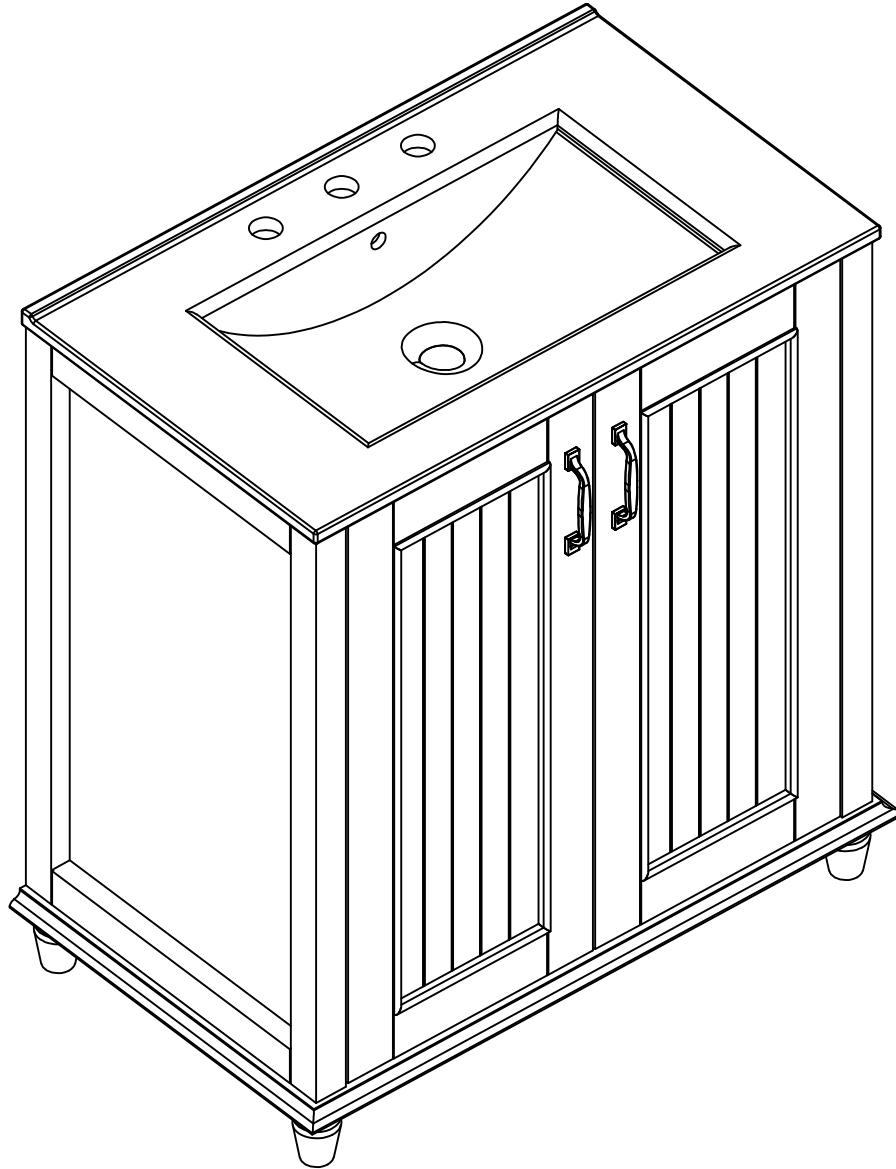


ASSEMBLY INSTRUCTIONS


BATH VANITY-CABINET

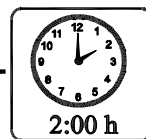
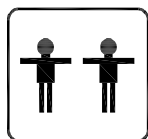
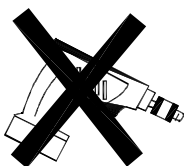


Thank you for purchasing this quality product. Be sure to check all packing material carefully for small parts which may have come loose inside the carton during shipment. Separate, identify and count all parts and hardware.

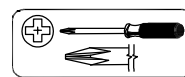
Compare with the parts list to be sure all parts are present.

DO NOT TIGHTEN SCREWS UNTIL COMPLETELY ASSEMBLED

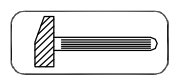

* Use of power tool to assemble this product will invalidate any claim and damage this product making unsafe !!!
* Please assemble on a clean soft surface to avoid damage.



Tools Required



(Not included)



(Not included)

IMPORTANT:
PLEASE READ INSTRUCTION BEFORE STARTING THE ASSEMBLY

PLEASE DO NOT RETURN TO STORE



**Please do not return this product to the retailer!!
We are able to assist you in ANY way**

If you find that you have any trouble with assembly or missing or damaged parts please contact the seller.

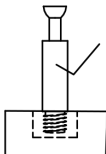
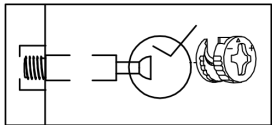
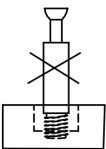
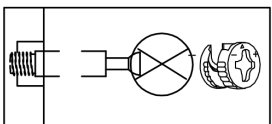
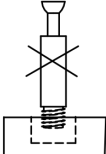
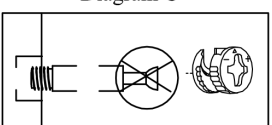
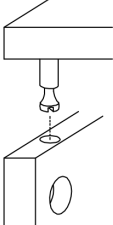
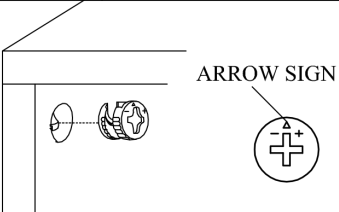
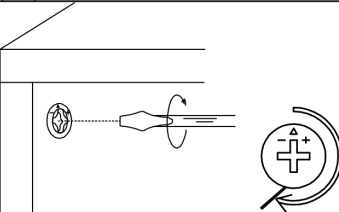
Before Installation

Important – Please read these instructions fully before starting assembly

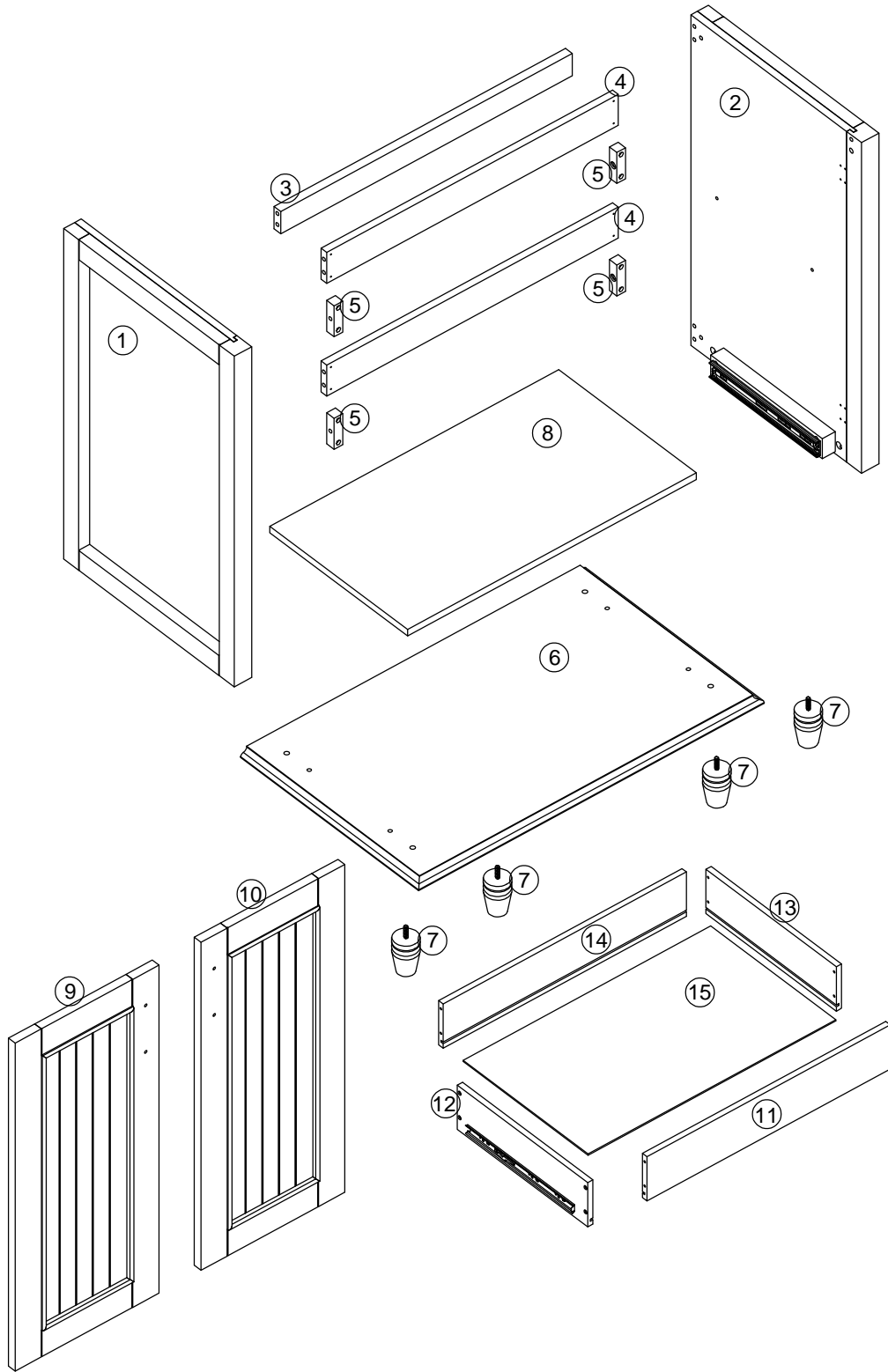
Thank you for purchasing this quality product. Be sure to check all packing materials carefully for small parts, which may have come loose inside the carton during shipment. Identify and count all items according to the PARTS LIST and/or HARDWARE LIST shown below. Check you have all the components and tools listed on the following pages.

- We recommend that you assemble this product with the assistance of another person; this will make the assembly easier, and will help eliminate damage to the product or injury to persons during assembly.
- Please do not over tighten screws or bolts until the assembly is completed.
- Keep children and animal away from the work area, small parts could choke if swallowed.
- Please put all parts on a non-abrasive floor before assembly, and follow the assembly steps to assemble your newly purchased product correctly and efficiently.

Cam Lock Assembly Instructions

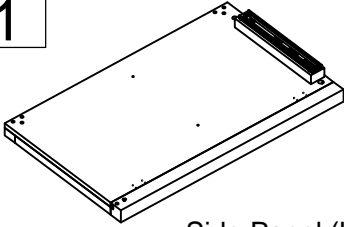
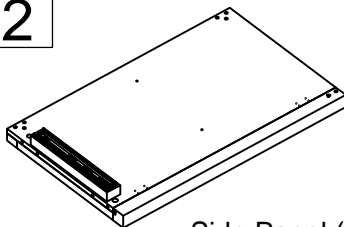
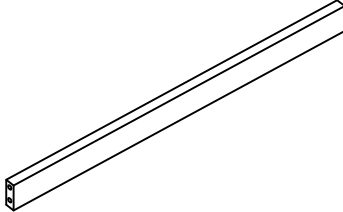
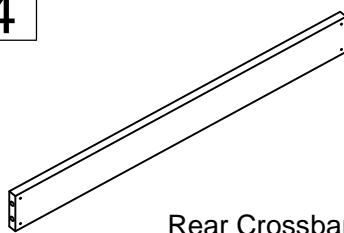
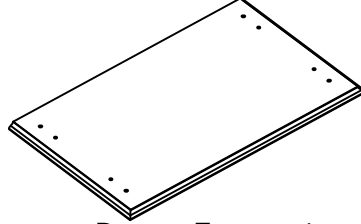
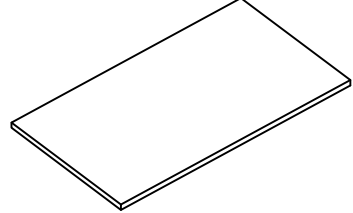
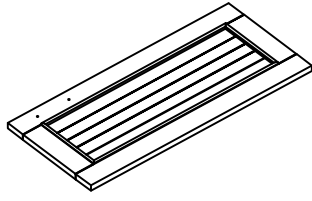
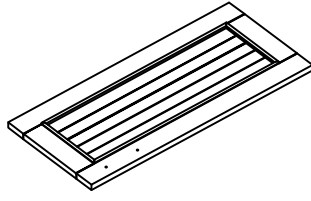
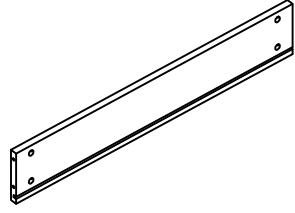
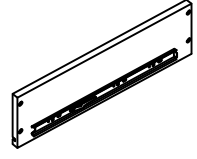
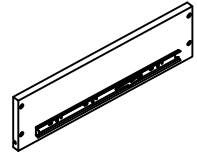
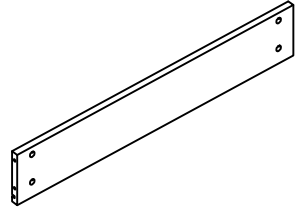
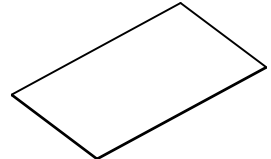
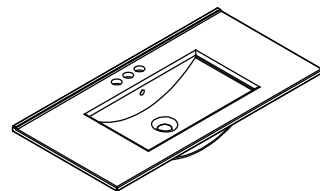
	<p>Diagram A</p> 	<p>Insert Cam Bolt into hole as shown in diagram A.</p>
	<p>Diagram B</p> 	<p>Make sure not to insert the Cam Bolt: Too deep as shown in figure B as this will cause the Cam Lock to be misaligned and unable to interlock properly.</p>
	<p>Diagram C</p> 	<p>Also avoid inserting the Cam Bolt too close to the surface of the hole as shown in figure C, as this will cause the Cam Lock to be too loose, and not interlock properly.</p>
		<p>Connect the panels together.</p>
	<p>ARROW SIGN</p>	<p>Insert the Cam Lock so the side opening fits over the head of the Cam Bolt.</p>
		<p>To tighten the Cam Lock, turn it clockwise on half a turn with a flat screwdriver. <i>*Do not use an automatic screwdriver as it may bend or break if too much power is imposed.</i></p>

Detail View

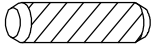
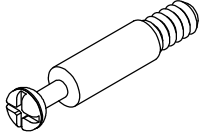

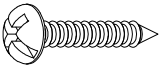
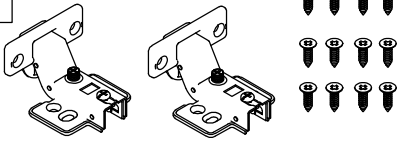
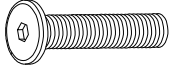
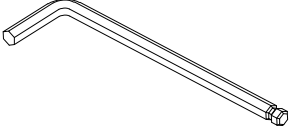


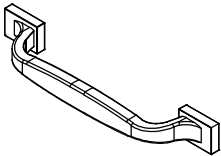
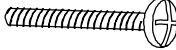


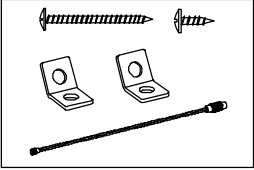
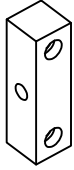
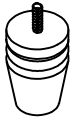


Identifying the Hardware-Identify the hardware using the illustrations below.

Part Lists - N710P192538

<p>1</p>  <p>Side Panel (L) - 1pc</p>	<p>2</p>  <p>Side Panel (R) - 1pc</p>
<p>3</p>  <p>Top Front Crossbar - 1pc</p>	<p>4</p>  <p>Rear Crossbar - 2pcs</p>
<p>6</p>  <p>Bottom Frame - 1pc</p>	<p>8</p>  <p>Adjustable Shelf - 1pc</p>
<p>9</p>  <p>Door Cabinet (L) - 1pc</p>	<p>10</p>  <p>Door Cabinet (R) - 1pc</p>
<p>11</p>  <p>Drawer Face - 1pc</p>	<p>12</p>  <p>Side Drawer Panel (L) - 1pc</p>
<p>13</p>  <p>Side Drawer Panel (R) - 1pc</p>	<p>14</p>  <p>Rear Drawer Panel - 1pc</p>
<p>15</p>  <p>Side Panel - 1pc</p>	<p>Sink - 1pc</p>  <p>Sink - 1pc</p>

Hardware Lists - N710P192538

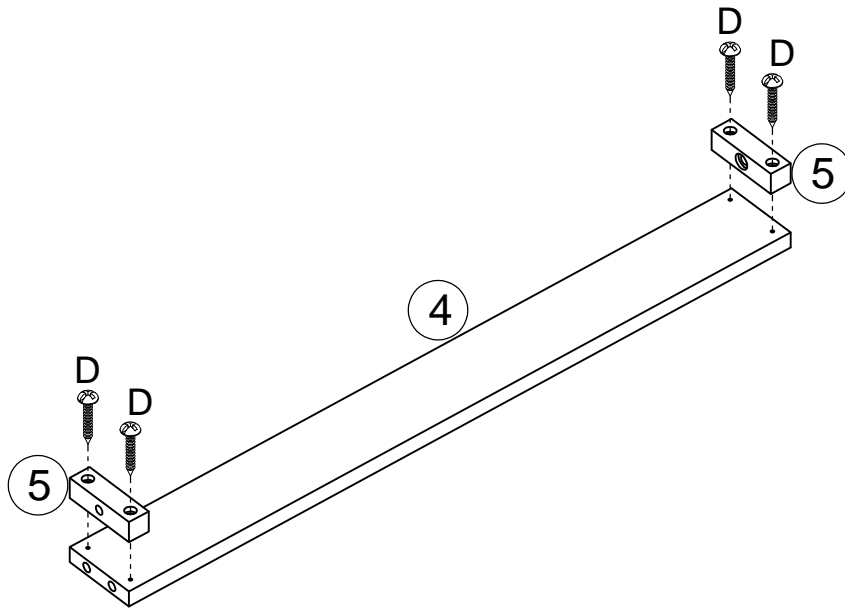
<p>A</p>  <p>Ø8*20mm</p>	<p>B</p>  <p>Ø6*32mm</p>	<p>C</p>  <p>Ø14.5*9.5mm</p>
<p>Wood dowel (14pcs)</p>	<p>Three in one bolts (6pcs)</p>	<p>Three in one locks (6pcs)</p>
<p>D</p>  <p>Ø8xØ4*25mm</p>	<p>E</p> 	<p>F</p>  <p>Ø13xØ1/4*30mm</p>
<p>Round head screw (8pcs)</p>	<p>Damping hinge (2sets)</p>	<p>Hex-Head bolt (4pcs)</p>
<p>G</p>  <p>K4mm</p>	<p>H</p> 	<p>I</p>  <p>Ø6xØ3*12mm</p>
<p>Allen key (1pc)</p>	<p>Shelf Pin (4pcs)</p>	<p>Round head screw (4pcs)</p>
<p>J</p> 	<p>K</p>  <p>Ø5/32*19mm</p>	<p>L</p>  <p>Ø10x10mm</p>
<p>Handle(2pcs)</p>	<p>Handle screw (4pcs)</p>	<p>Plastic Canopy (8pcs)</p>
<p>M</p>  <p>Ø8xØ4*50mm</p>	<p>N</p> 	<p>5</p> 
<p>Round head screw (8pcs)</p>	<p>Anti fall Hardware (2sets)</p>	<p>Support Piece (4pcs)</p>
<p>7</p>  <p>Leg (4pcs)</p>		

STEP: 1

D

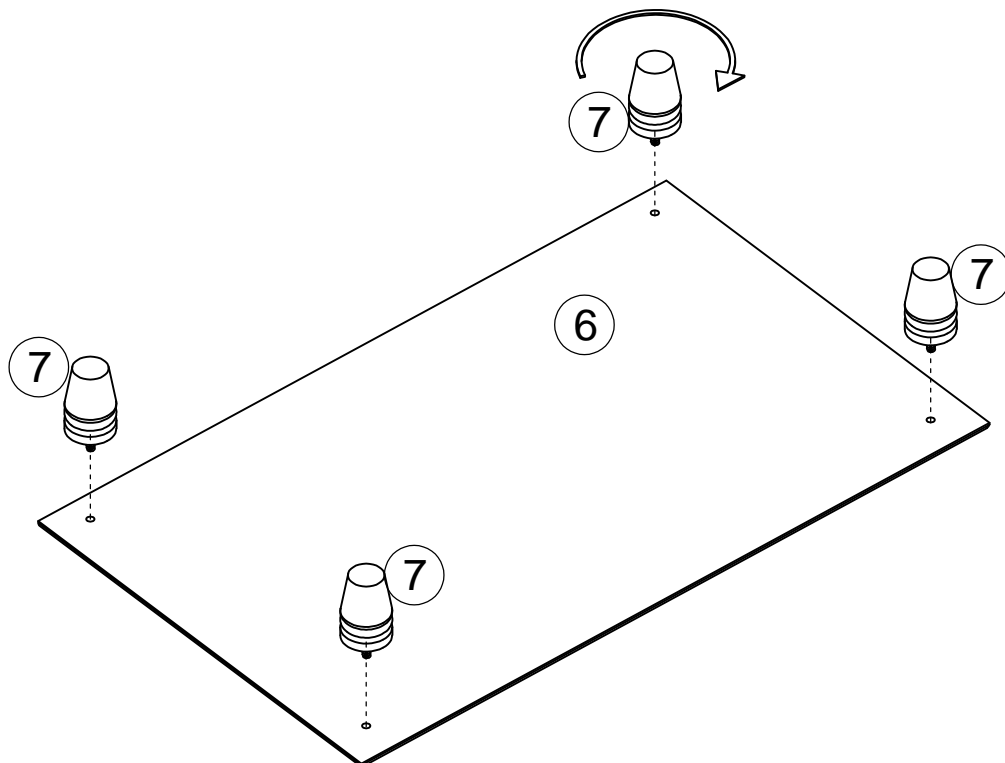


8PCS



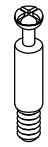
X 2

STEP: 2

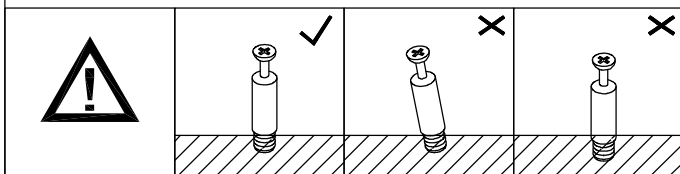
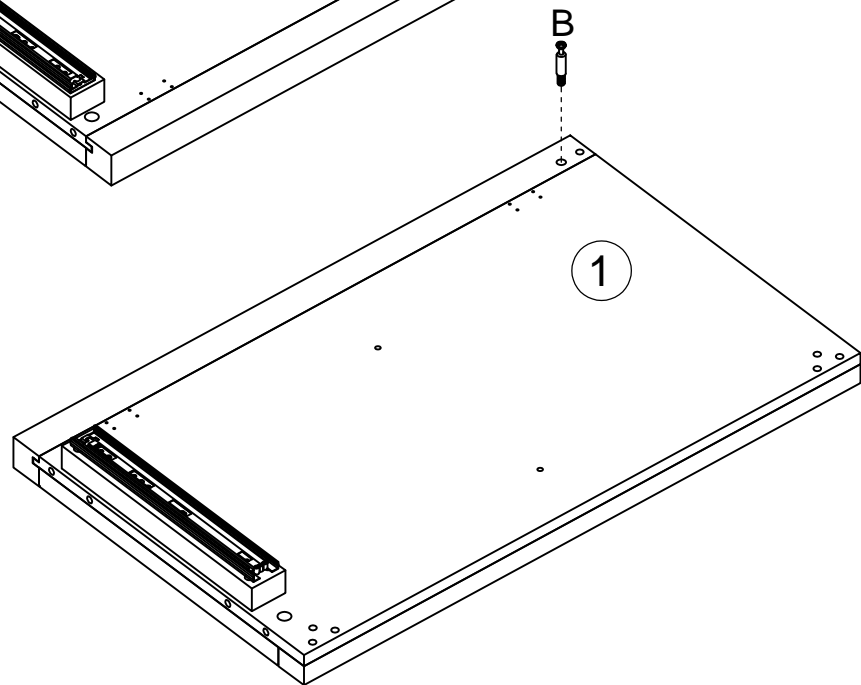
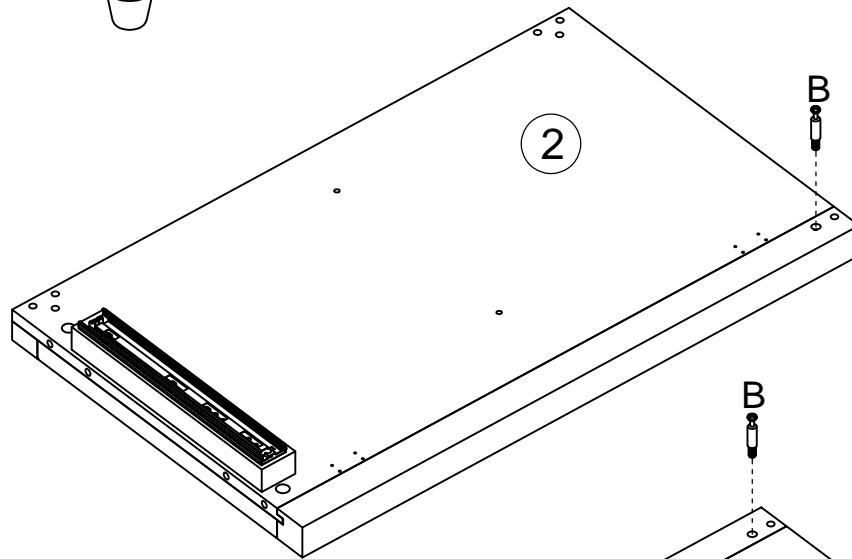
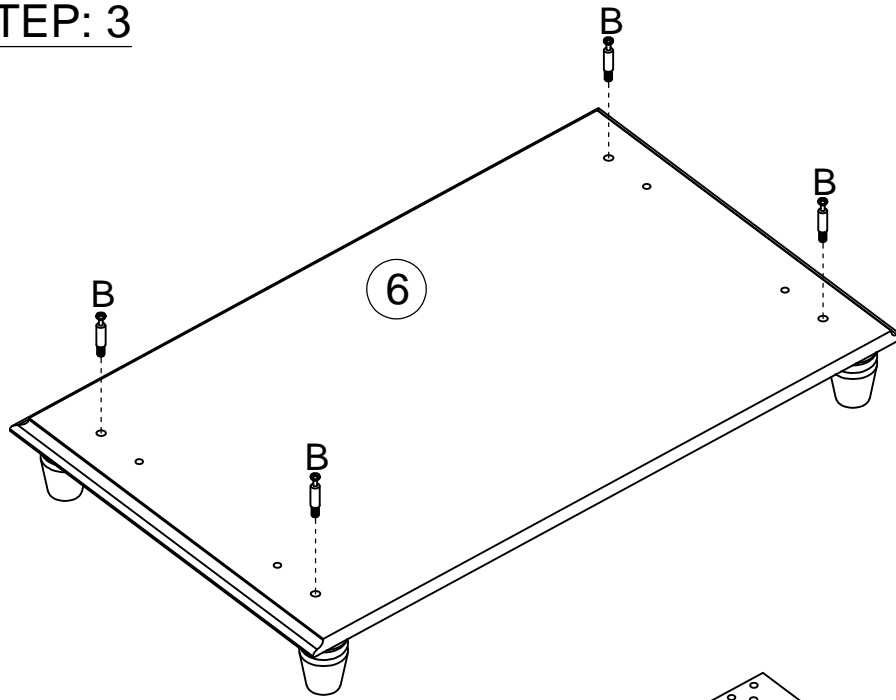


STEP: 3

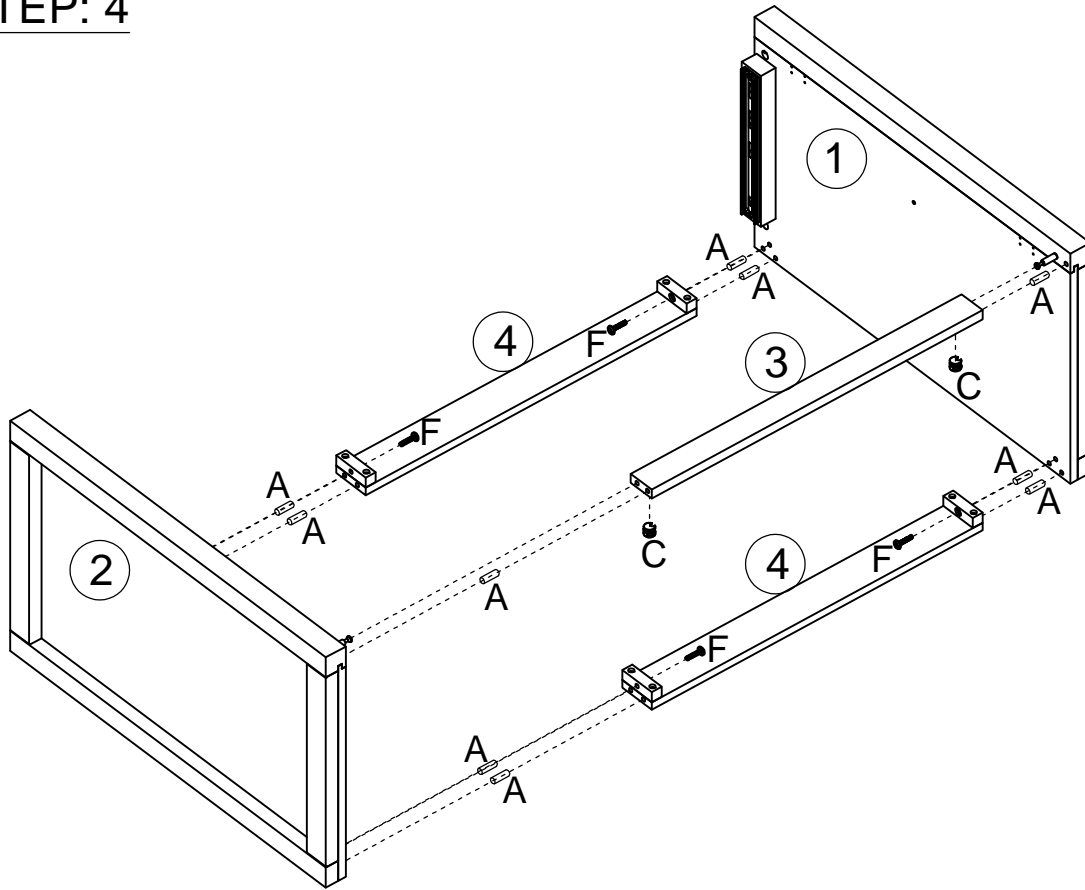
B



6PCS



STEP: 4

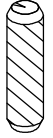


C



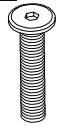
2PCS

A



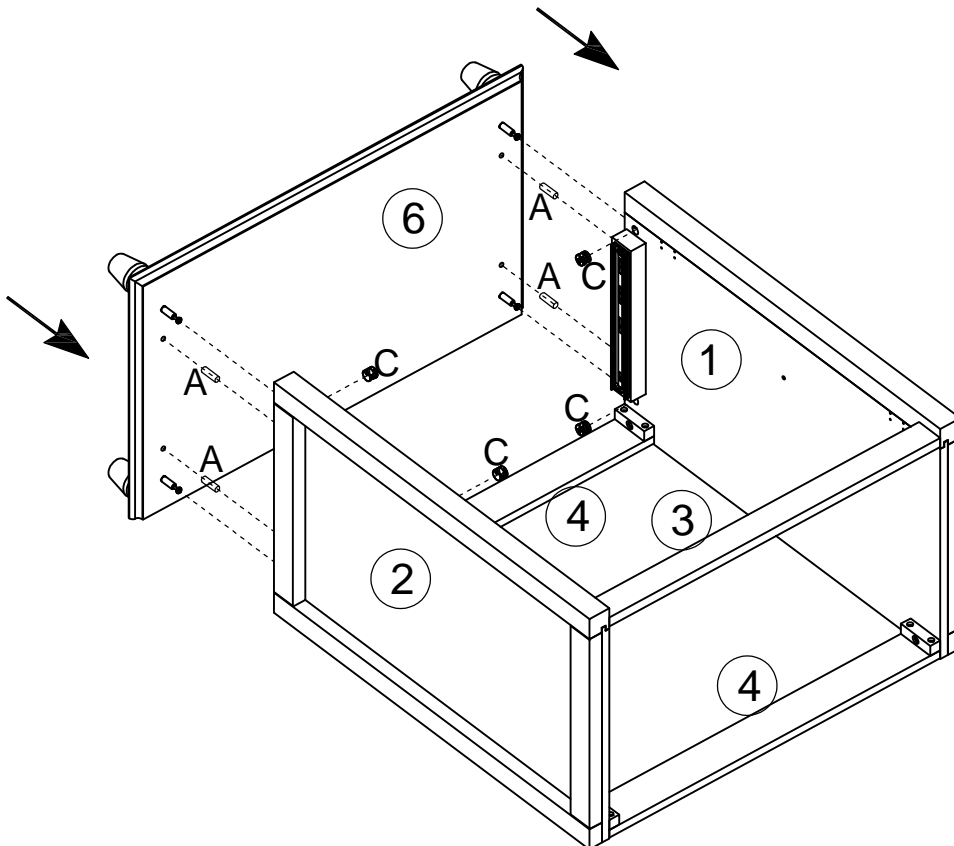
10PCS

F



4PCS

STEP: 5

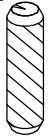


C



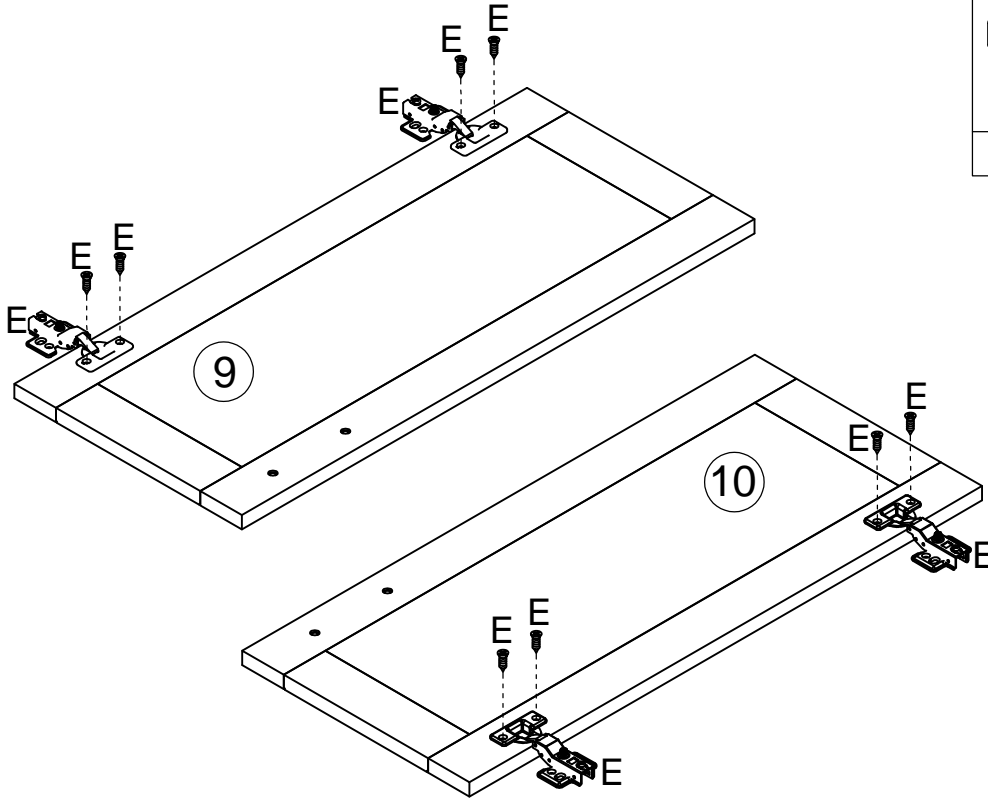
4PCS

A



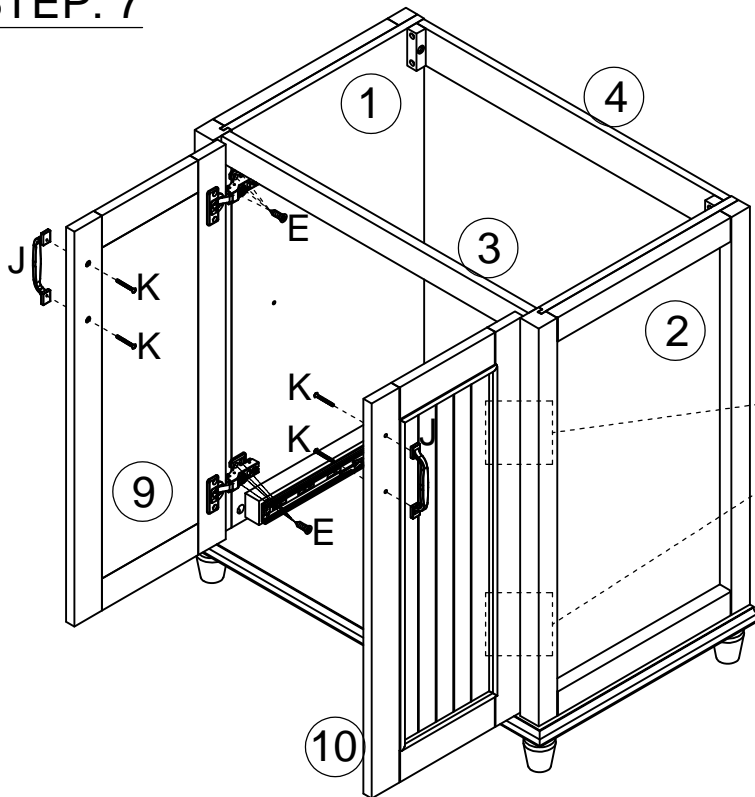
4PCS

STEP: 6



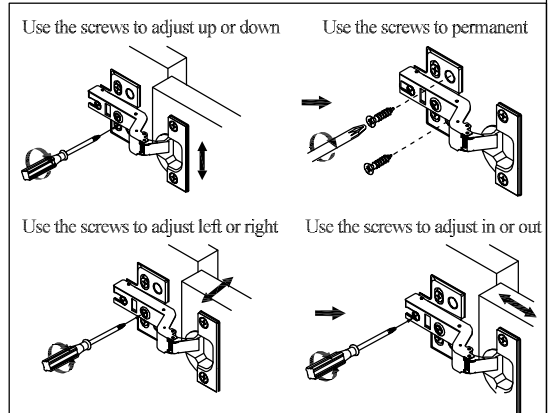
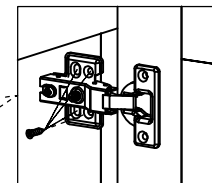
E	E
4PCS	8PCS

STEP: 7

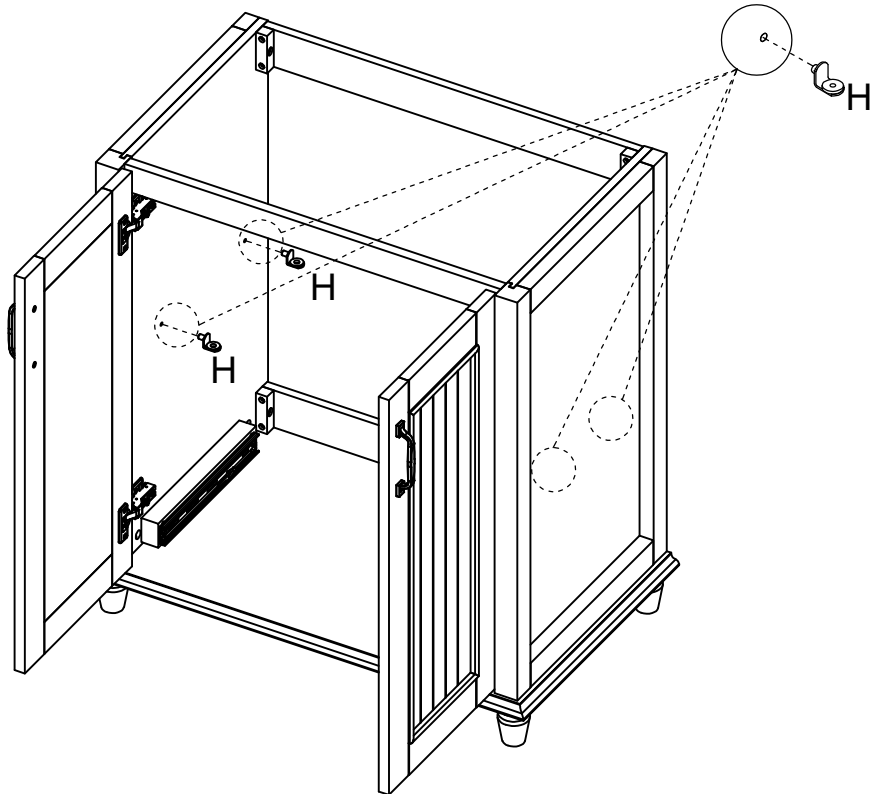


J	E
2PCS	16PCS

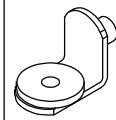
K
4PCS



STEP: 8

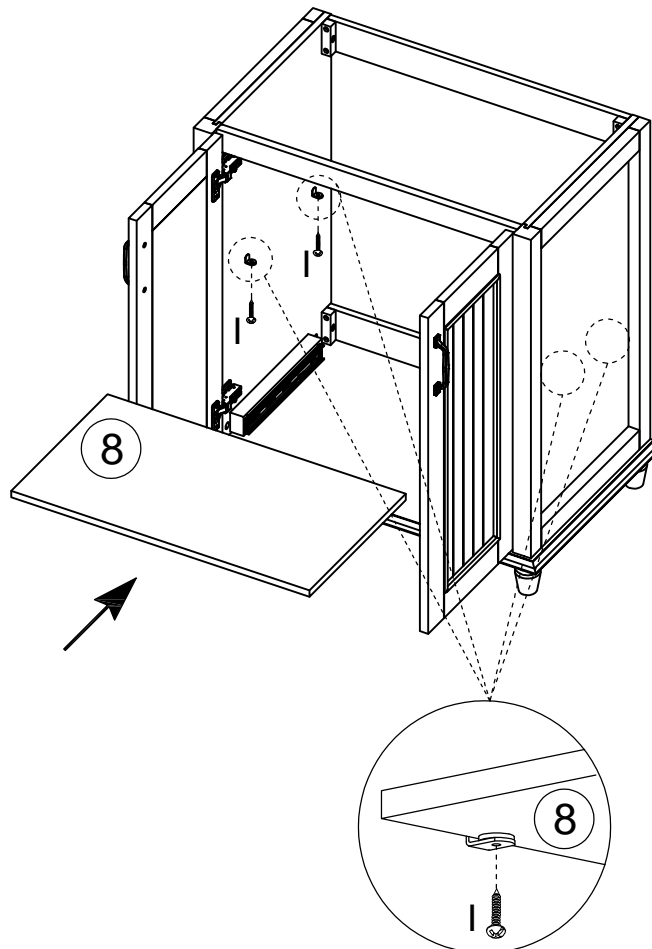


H



4PCS

STEP: 9

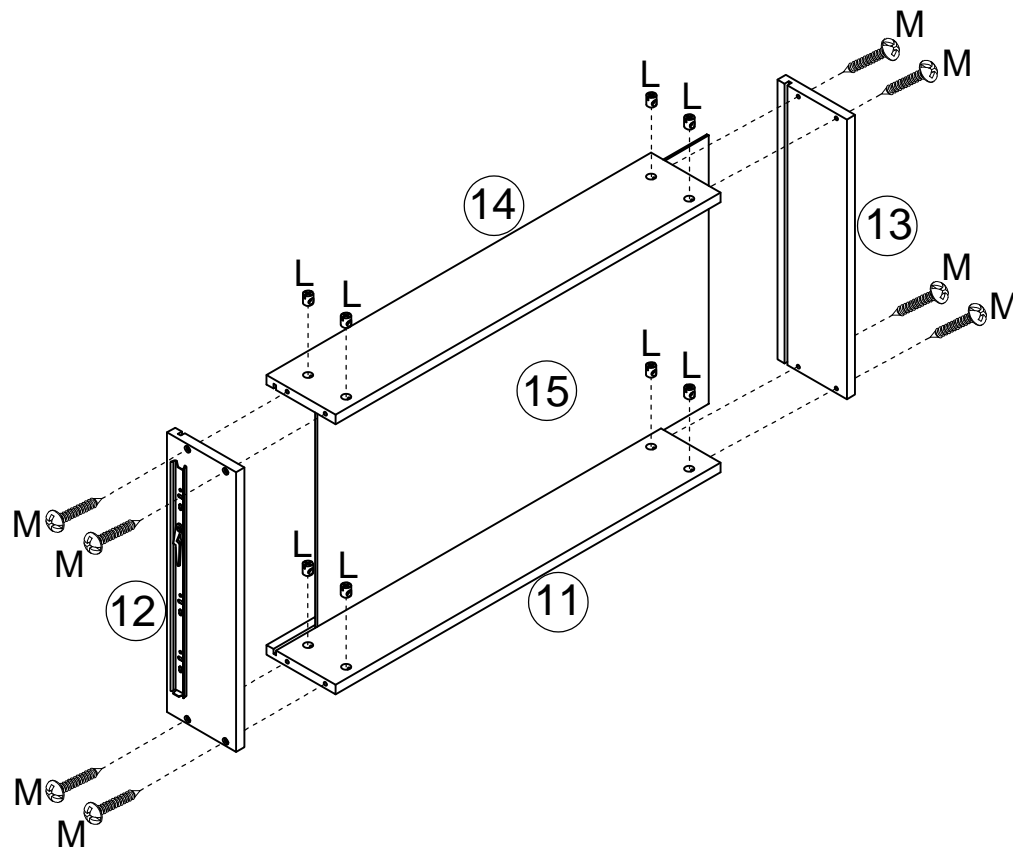


I



4PCS

STEP: 10

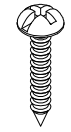


L



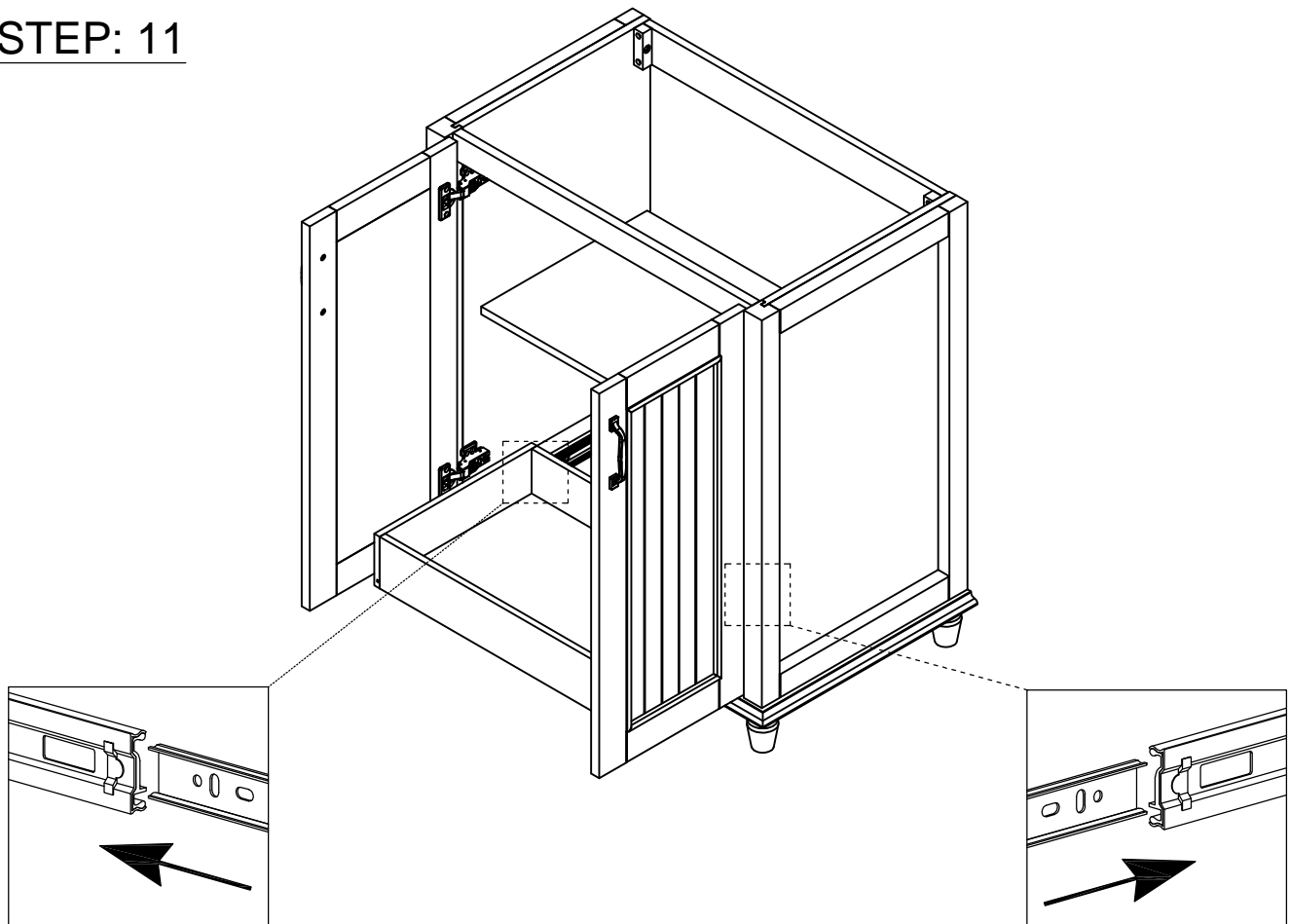
8PCS

M



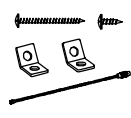
8PCS

STEP: 11

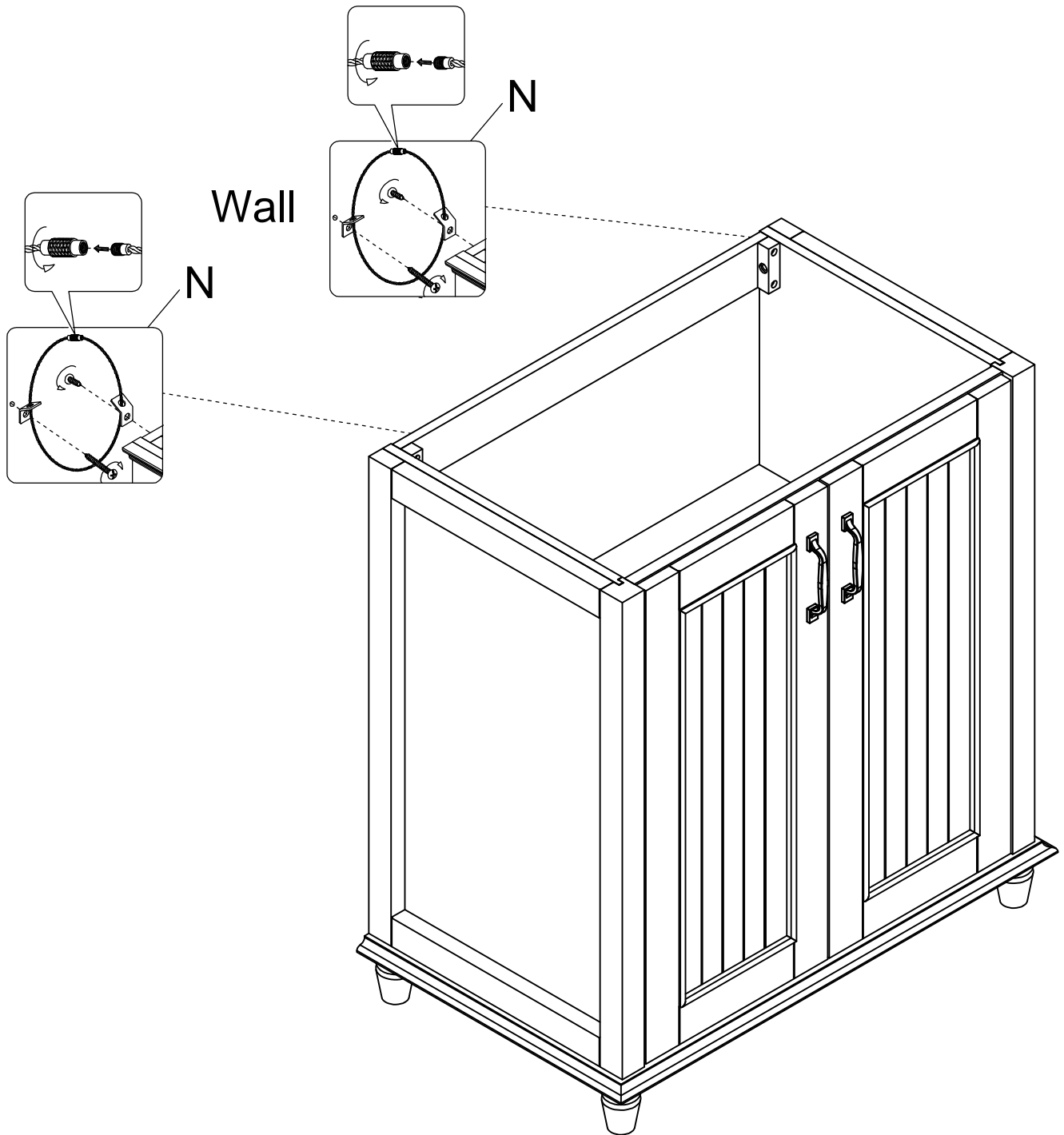


STEP: 12

N

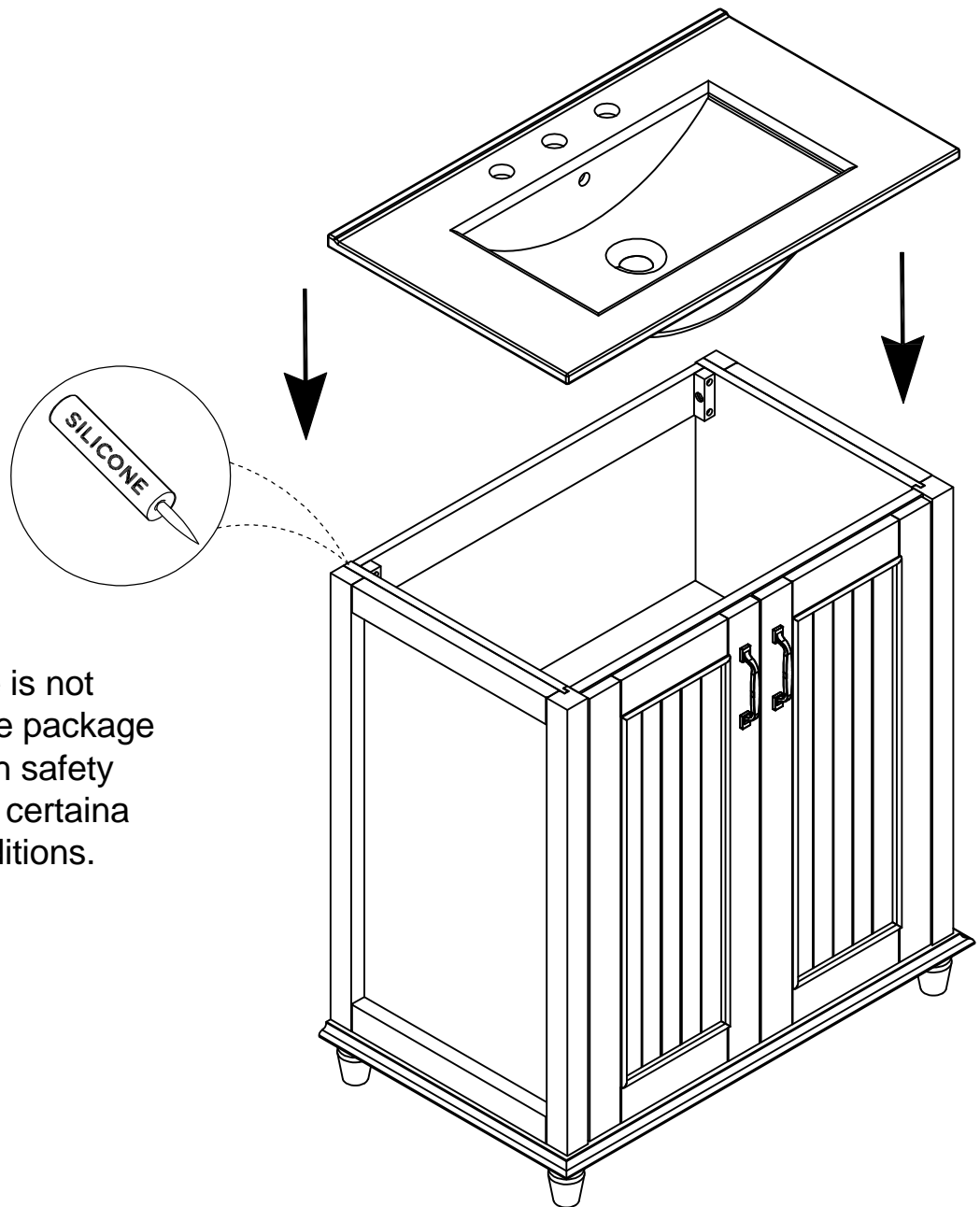


2SET



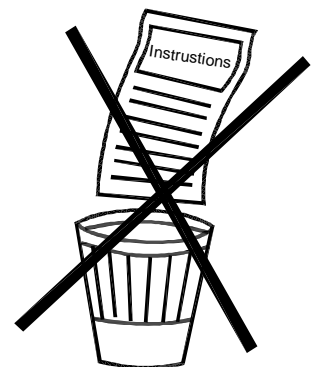
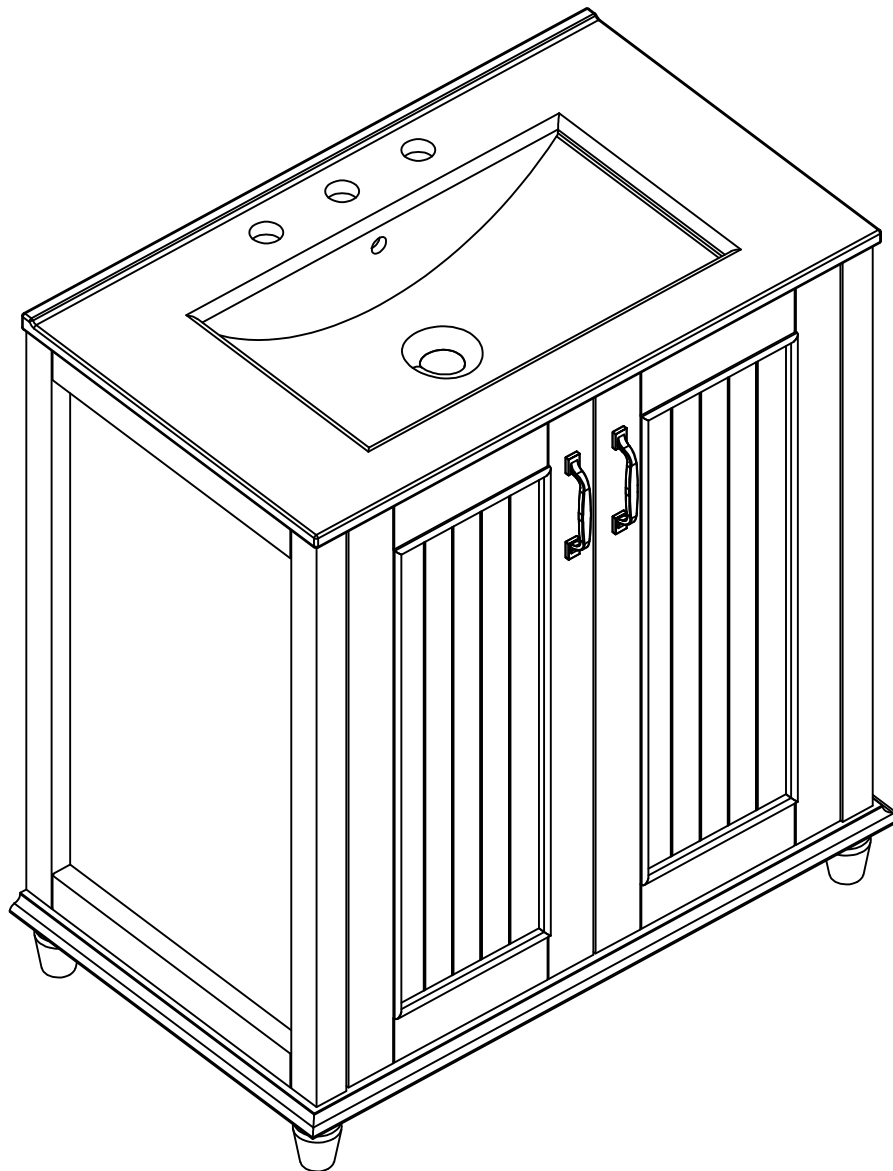
STEP: 13

Install the sink on the cabinet with glue.
Let stand for 24 hours

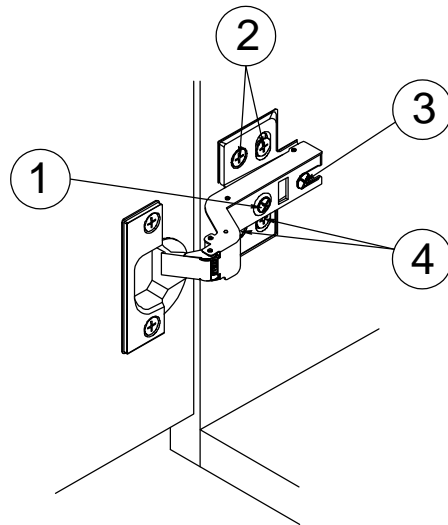


*Silicone glue is not included in the package to comply with safety regulations in certain shipping conditions.

STEP: 14



HINGE ADJUSTMENTS

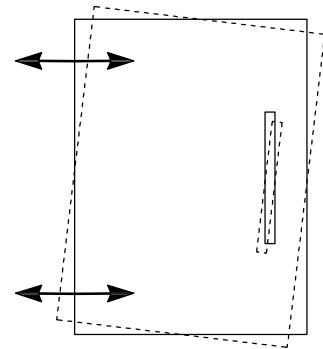


① Sideways / Tilt adjustment

Turn the screw

clockwise to move the door further away from the side of the cabinet

anticlockwise to move the door closer to the side of the cabinet

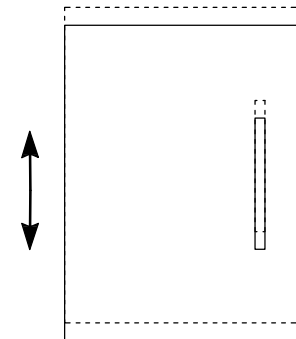


② ④ Height adjustment

While supporting the weight of the door, turn the screws

clockwise to move the door up

anticlockwise to move the door down



③ Forward and back adjustment

If the gap between the back of the door and the cabinet is too small, and the door may not close fully. Turn the screw

clockwise to decrease the gap between the door and the cabinet

anticlockwise to increase the gap between the door and the cabinet

