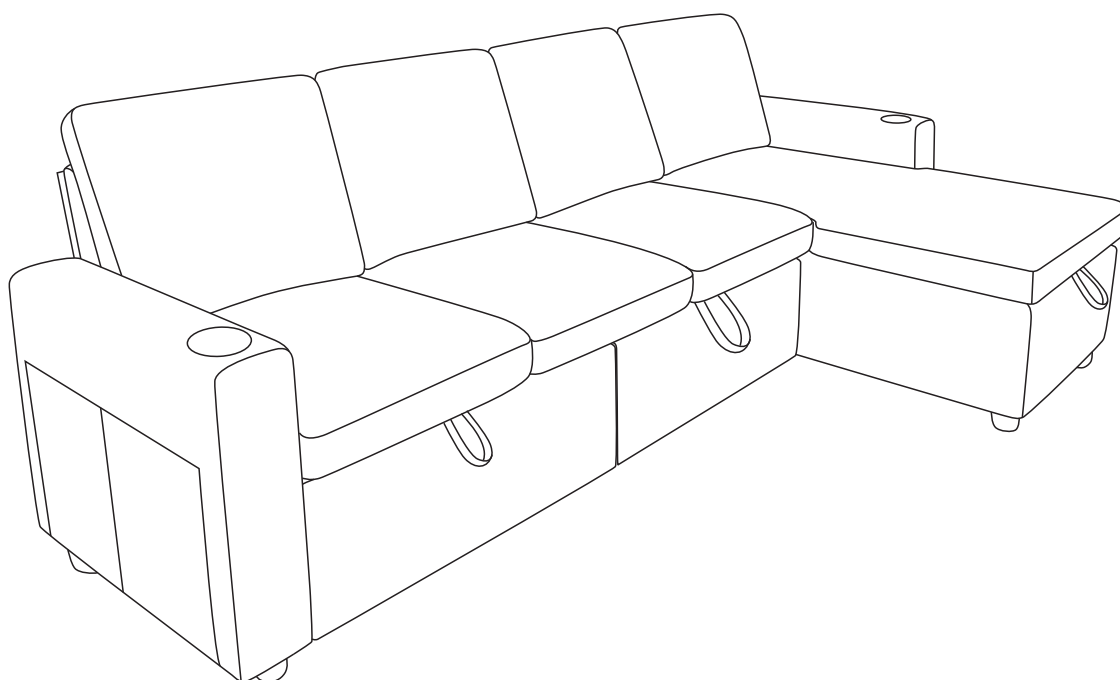
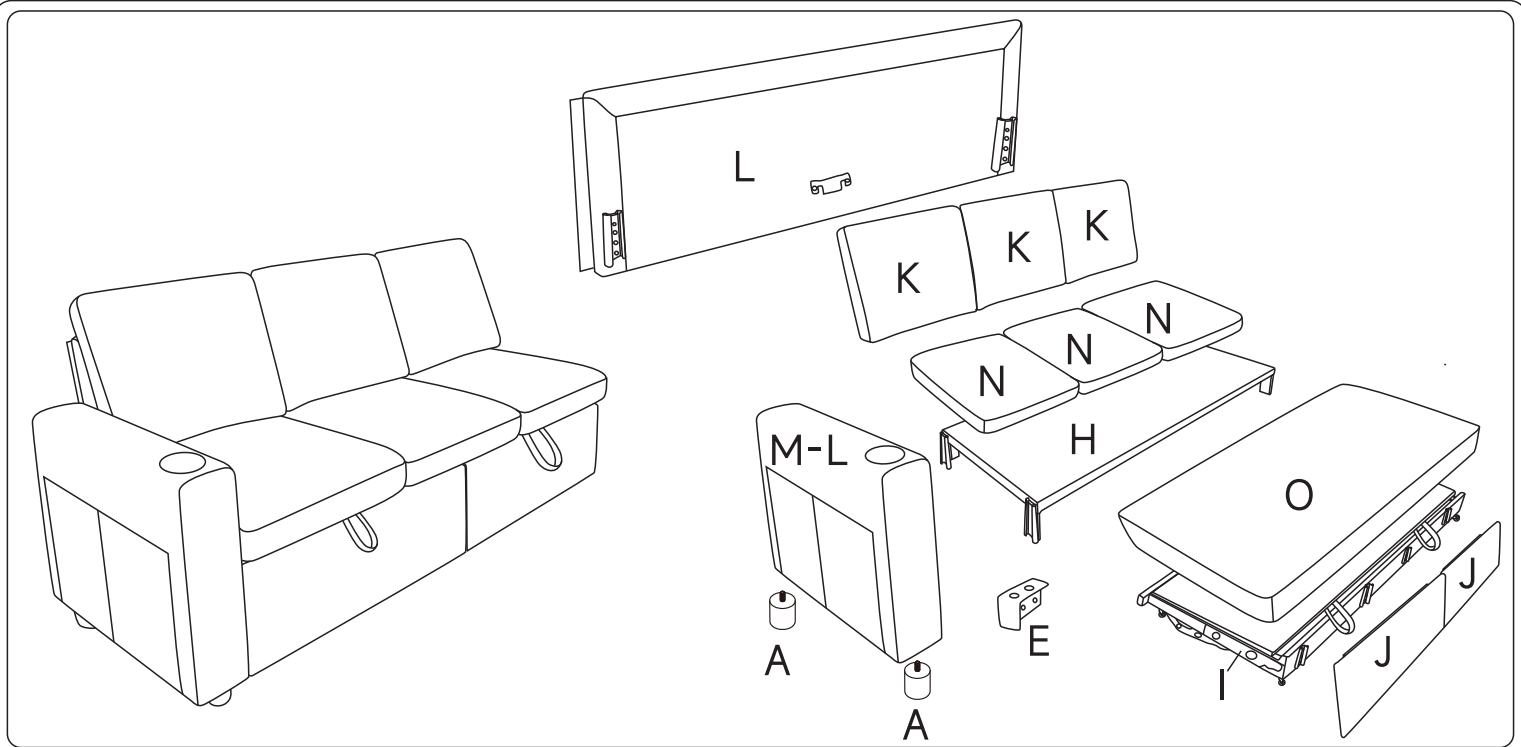


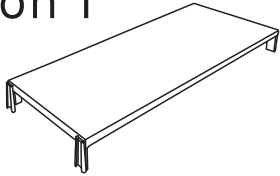
Installation & Assembly



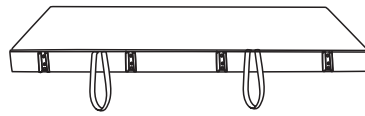
Components List



Carton 1



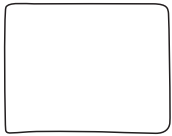
H X1



I X1

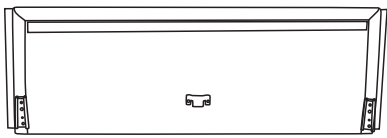


J X2

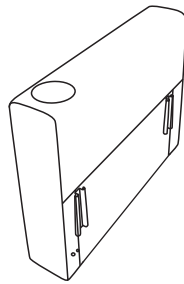


K X2

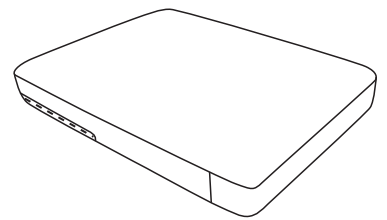
Carton 2



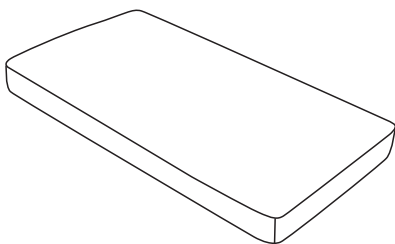
L X1



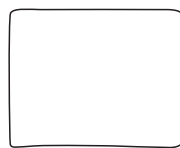
M-L X1



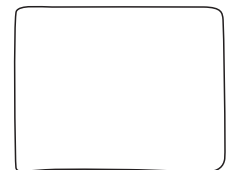
N X2



O X1

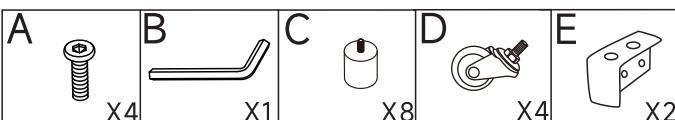


K X1

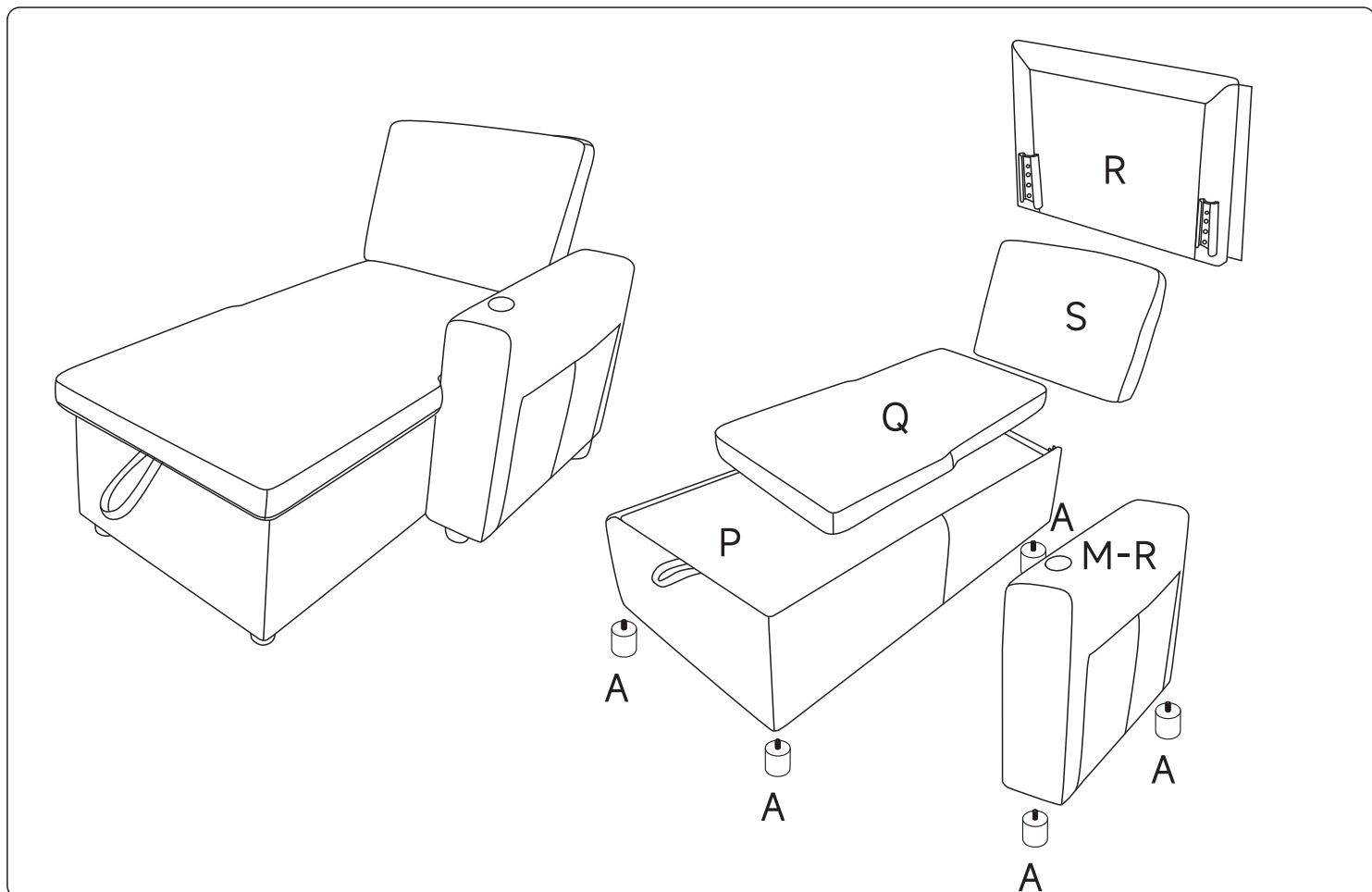


S X1

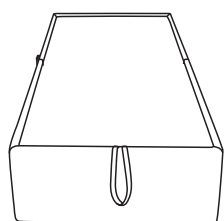
Hardware List



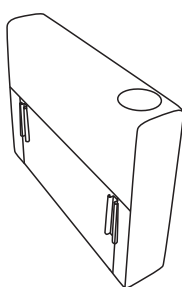
Components List



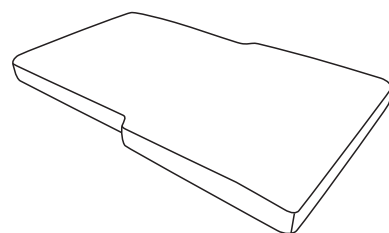
Carton 3



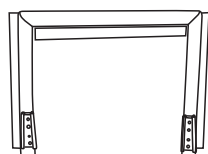
P X1



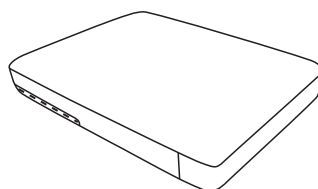
M-R X1



Q X1

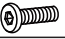
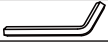





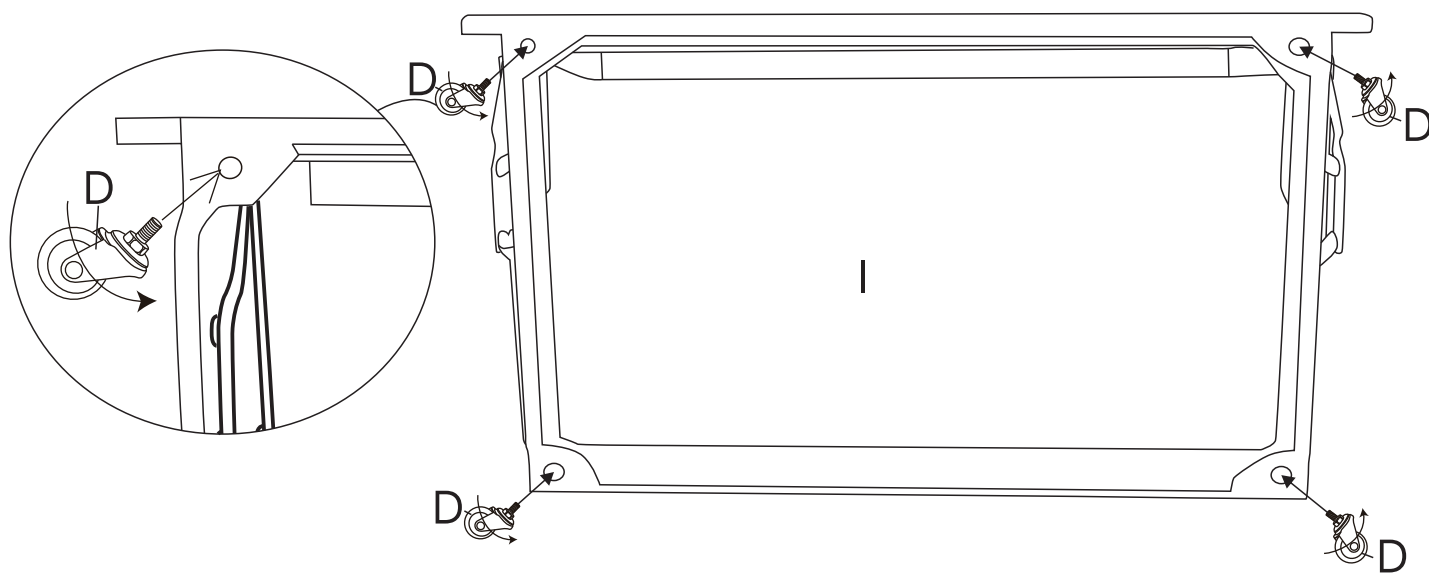
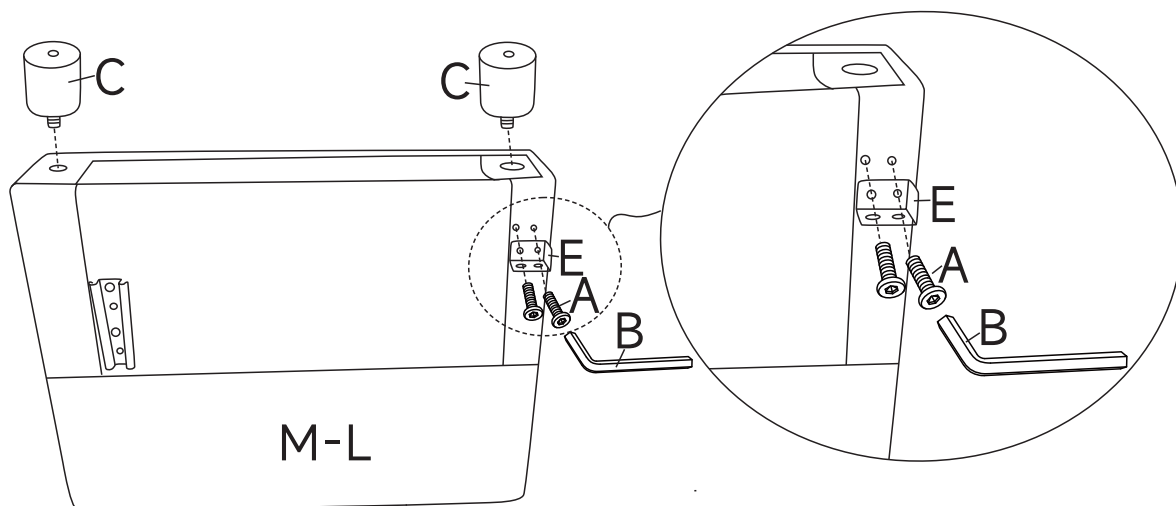
R X1



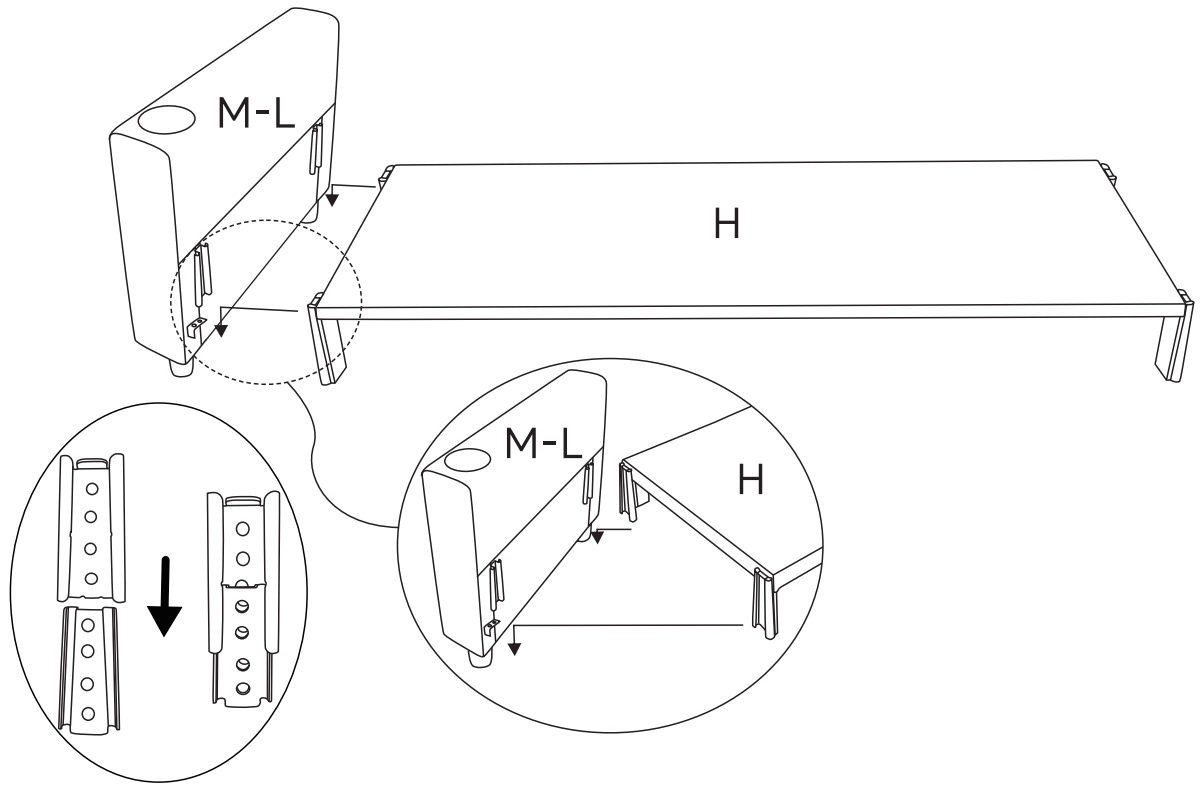
N X1

STEP 1

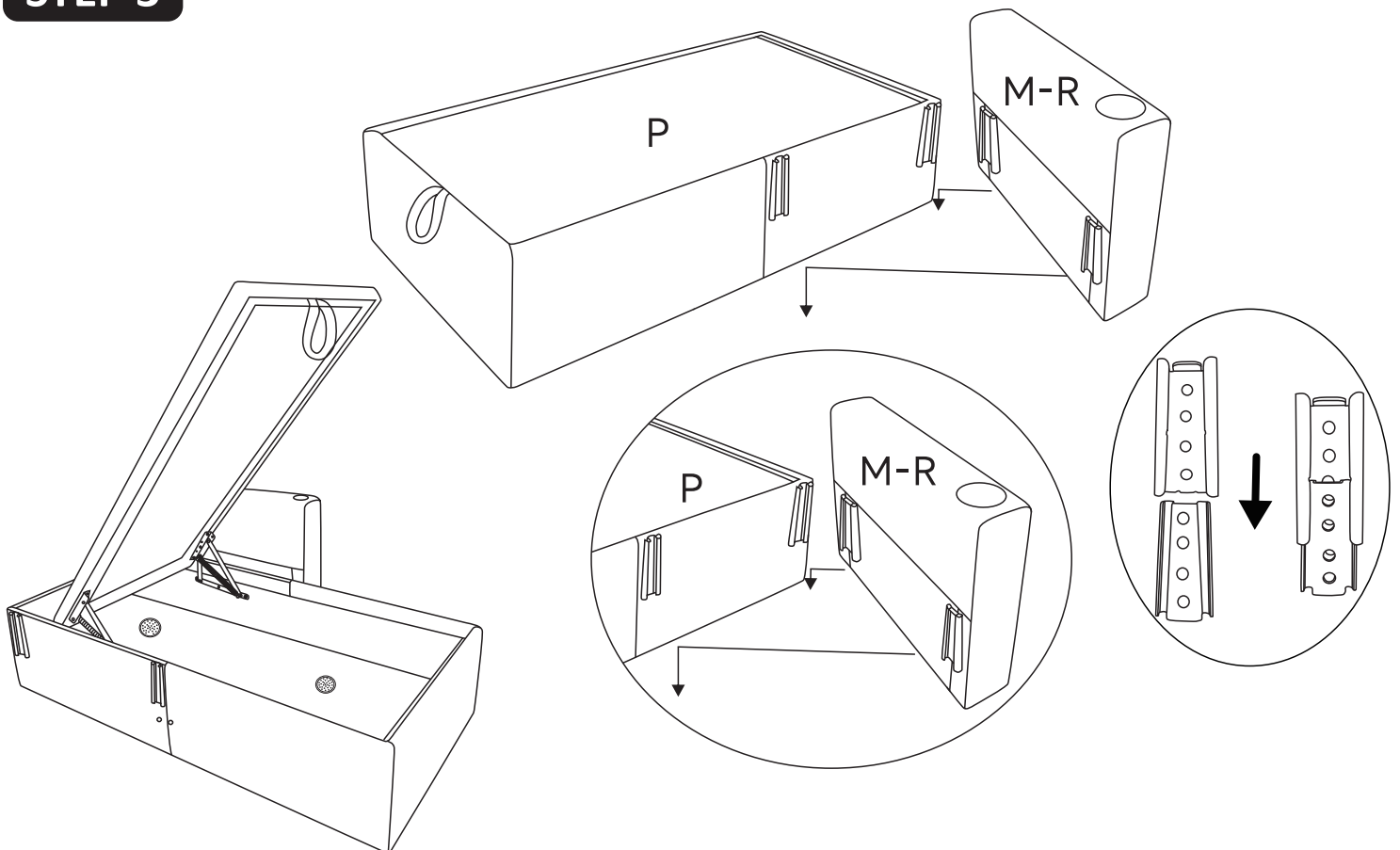
| | |
|---|-----|
|  | Ax2 |
|  | Bx1 |
|  | Cx2 |
|  | Dx4 |
|  | Ex2 |



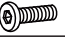



STEP 2

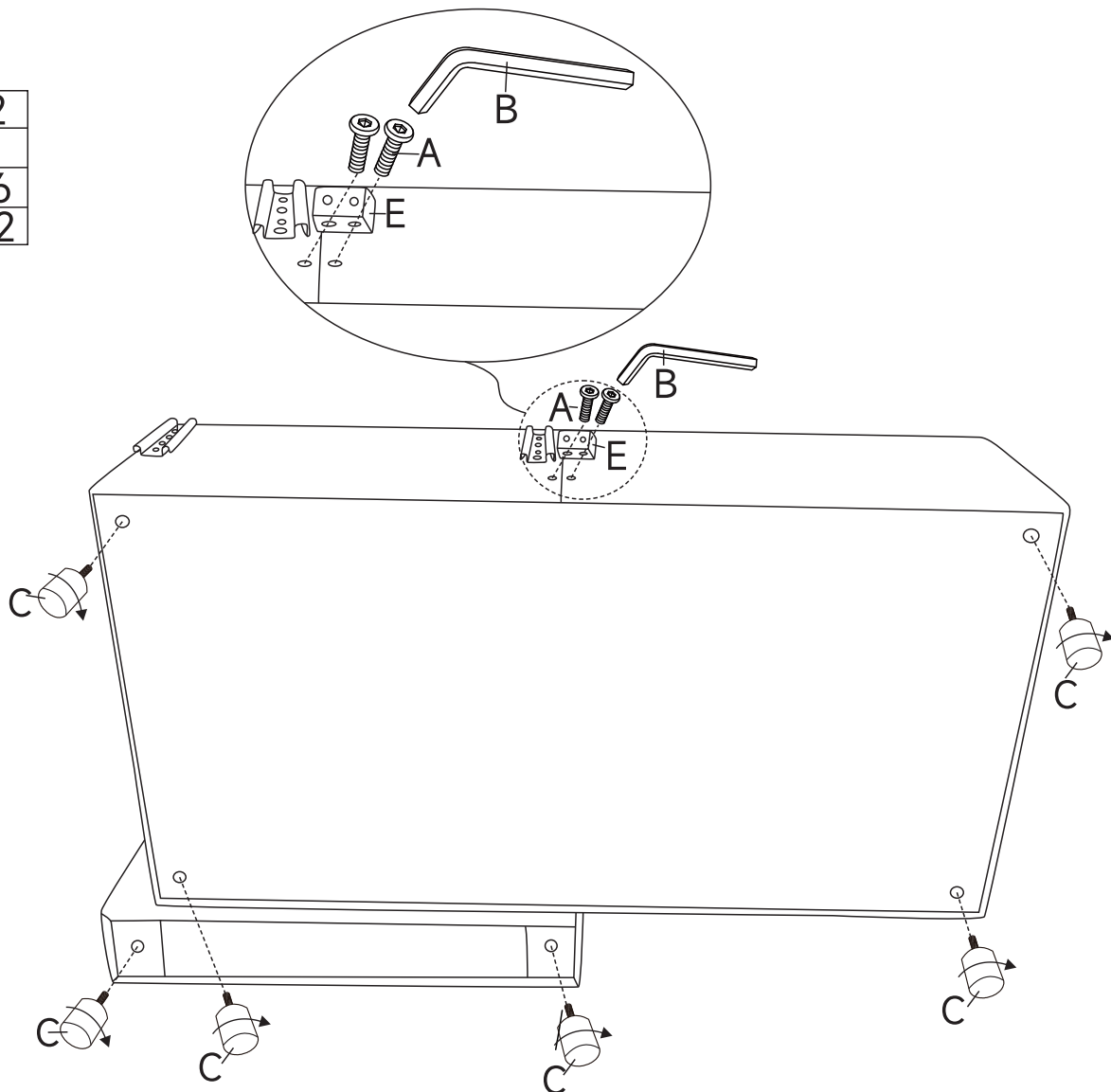


STEP 3

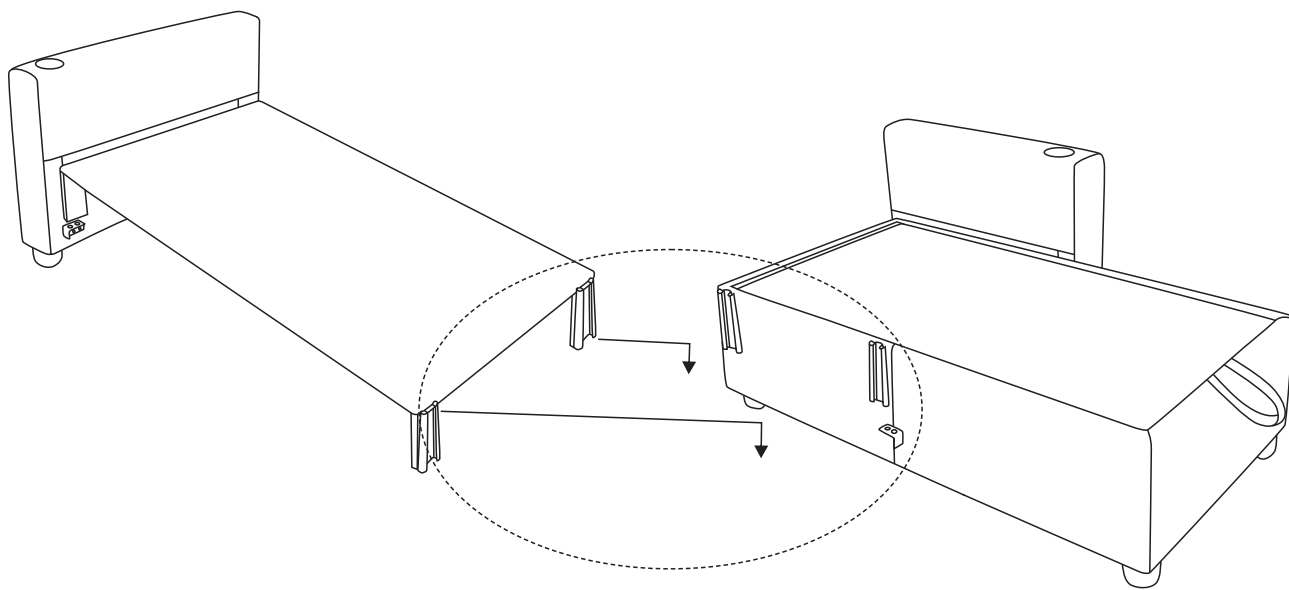


STEP 4

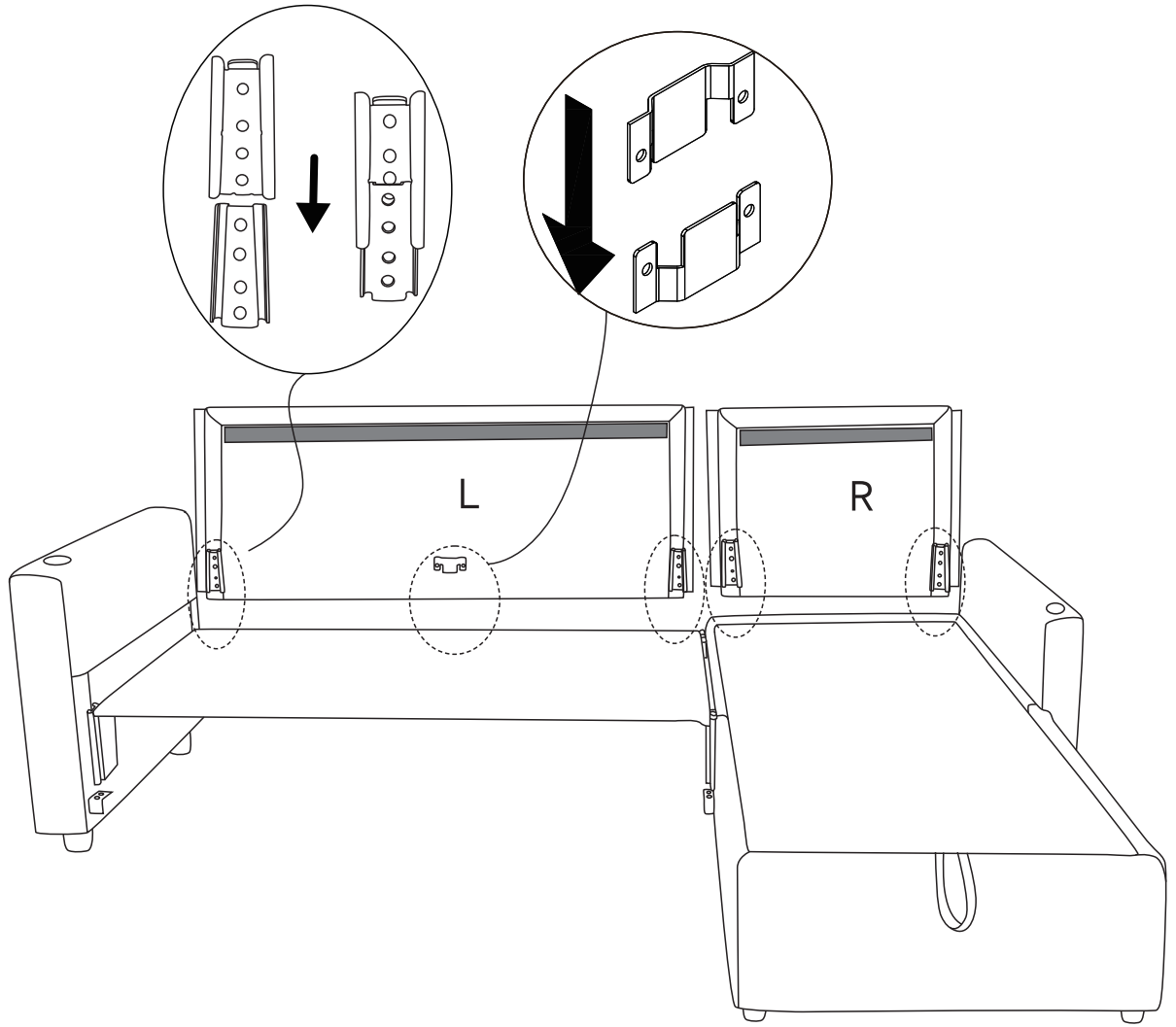
| | |
|--|-----|
|  | Ax2 |
|  | Bx1 |
|  | Cx6 |
|  | Ex2 |



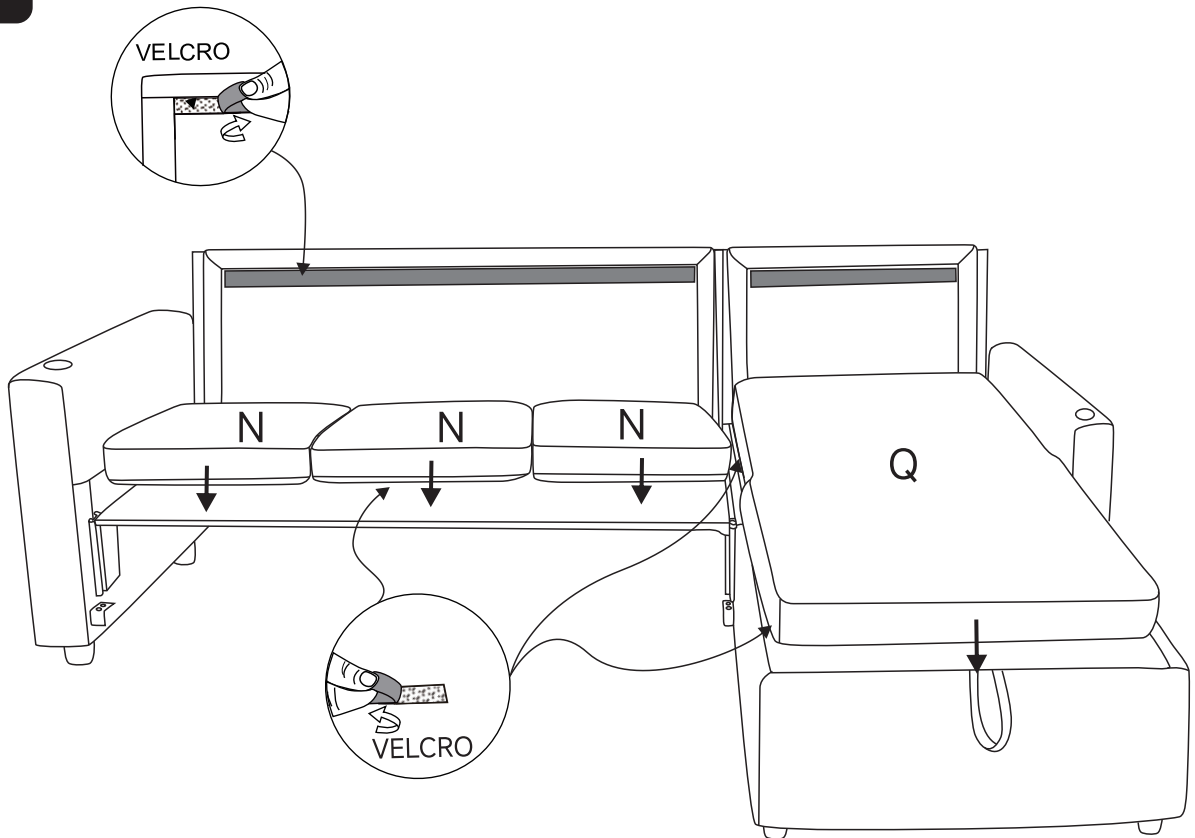
STEP 5



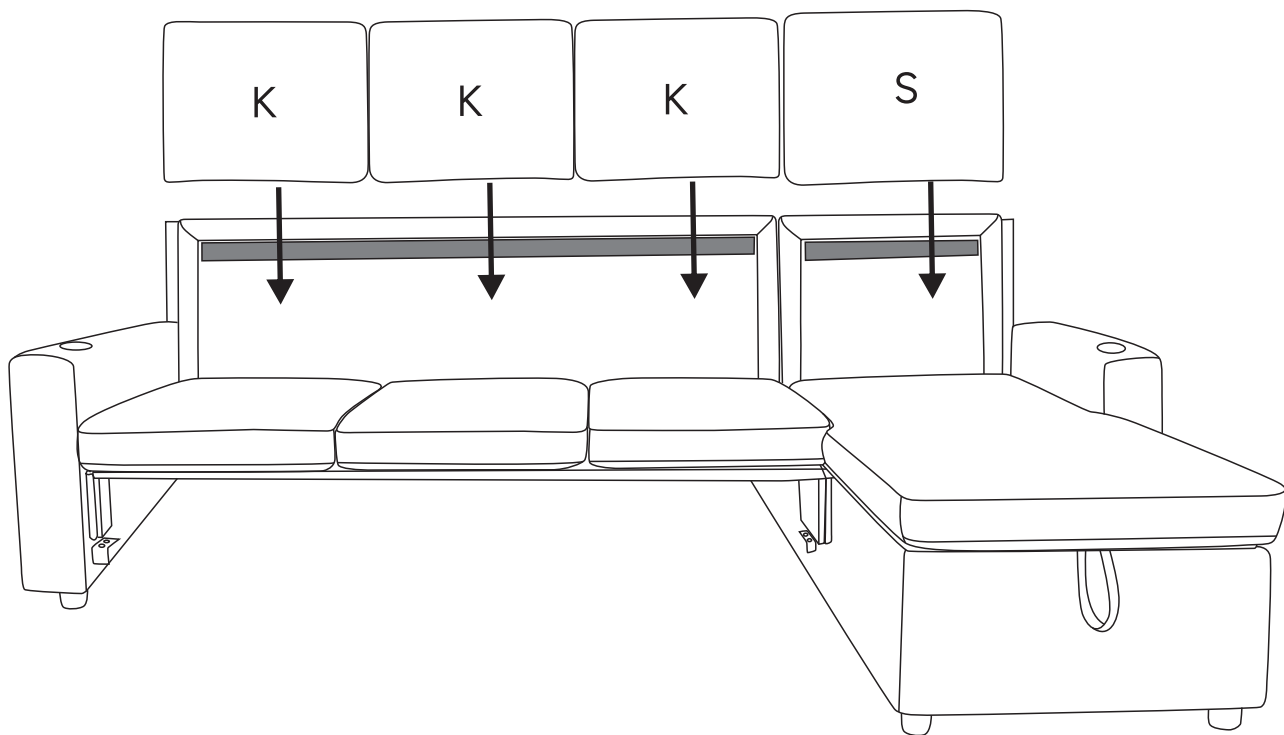
STEP 6



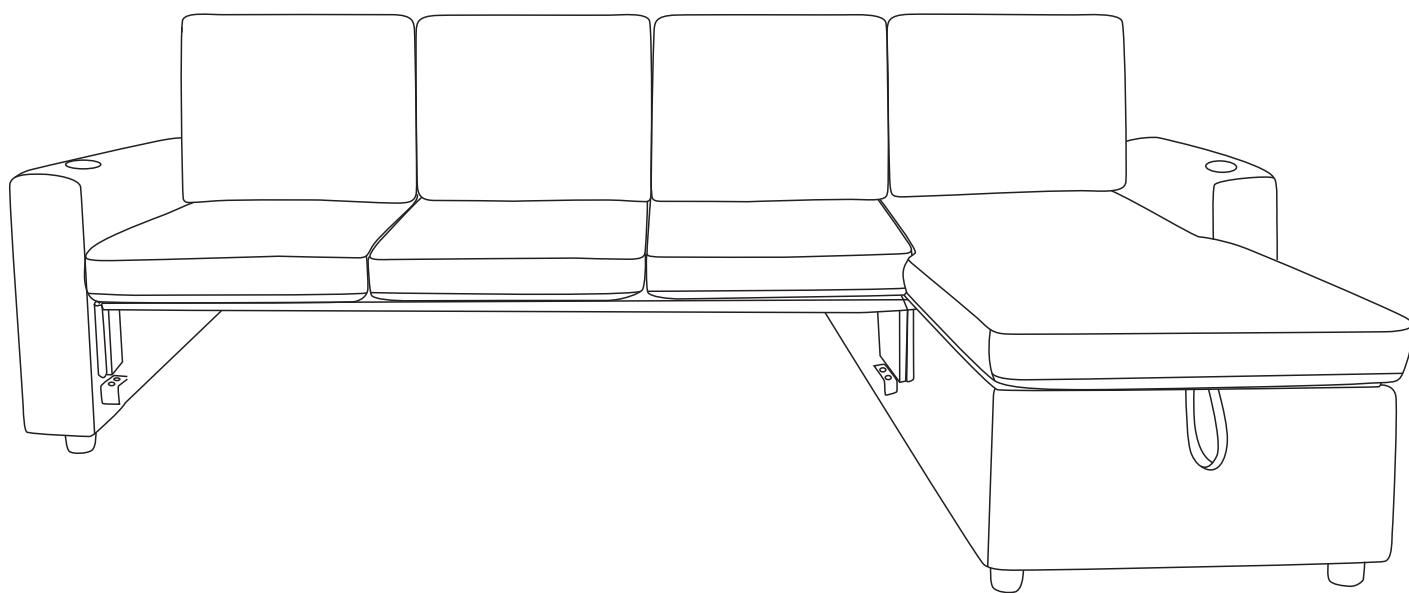
STEP 7



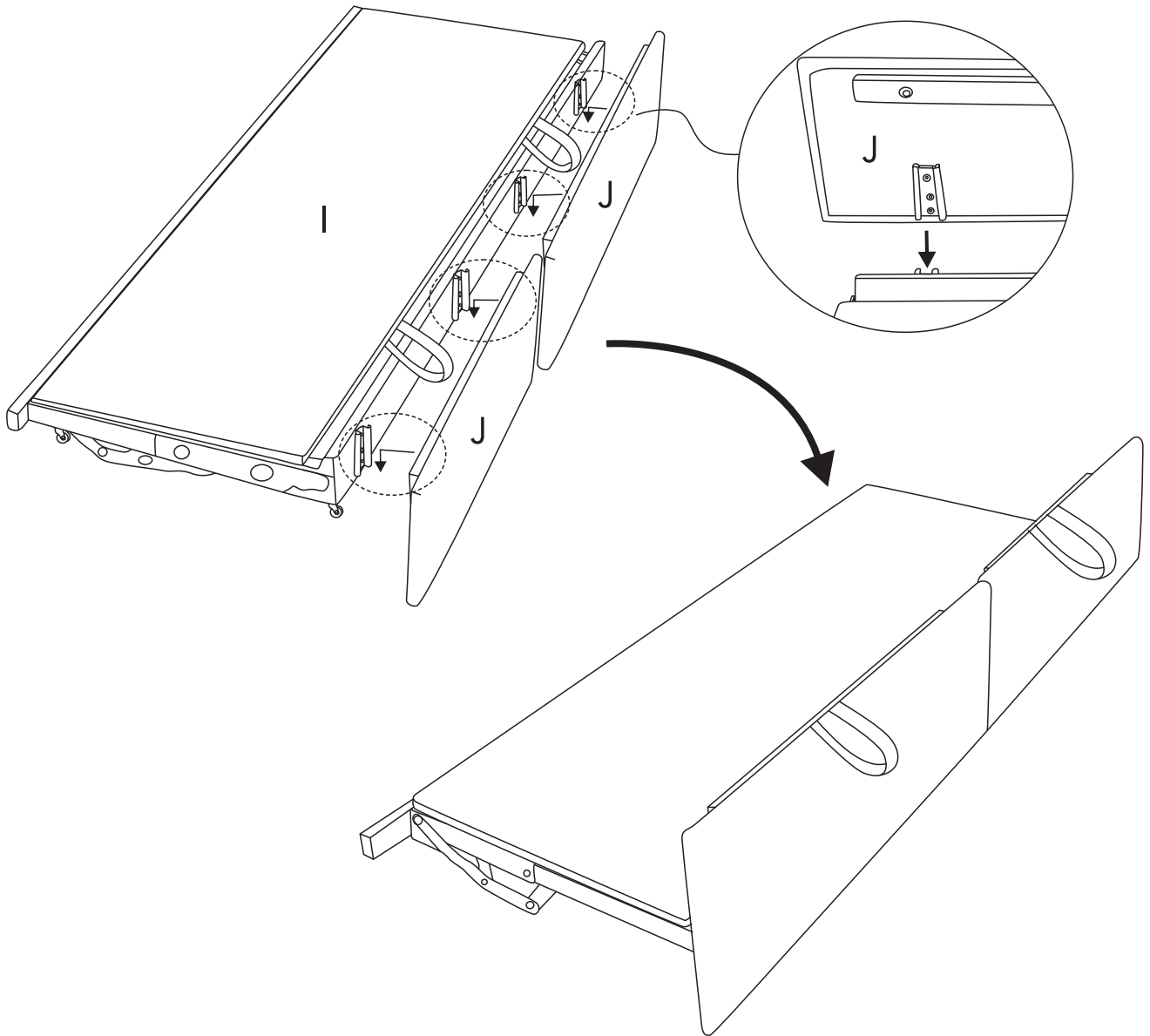
STEP 8



STEP 9



STEP 10



STEP 11

