



IMPORTANT INFORMATION

Seller and Manufacturer disclaim all and any liability for property damage, personal injury, or loss, direct, indirect, or incidental, resulting from the incorrect assembly, inadequate maintenance, improper use, or neglect of this product.



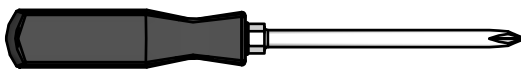
NOTICE

- Keep these assembly instructions for future reference.
- Do not use this product if there are missing, damaged, or broken parts until repairs are made and/or factory replacement parts are installed.
- Check all packing material carefully for small hardware that may have become loose inside the carton during shipment.
- Identify and count all hardware and parts to compare with parts and hardware list.
- Follow assembly instructions closely. Improper assembly can result in personal or property damage.
- Secure all bolts before use.
- Every 90 days check all bolts are secured.
- Some parts may have a sharp corner or edge and maybe heavy.
- Do not use or store this product near open flames or around flammable chemicals.
- When placing contents on non-carpeted flooring, it's recommended to use floor protection such as an area rug or furniture pads. These are not included with the purchase.

REPLACEMENT PART OR HARDWARE REQUEST:

Request a replacement by logging into the marketplace account in which the purchase was made and sending a message to the seller. To assist in expediting the request attach applicable images relevant to the request and/or part number and quantity.

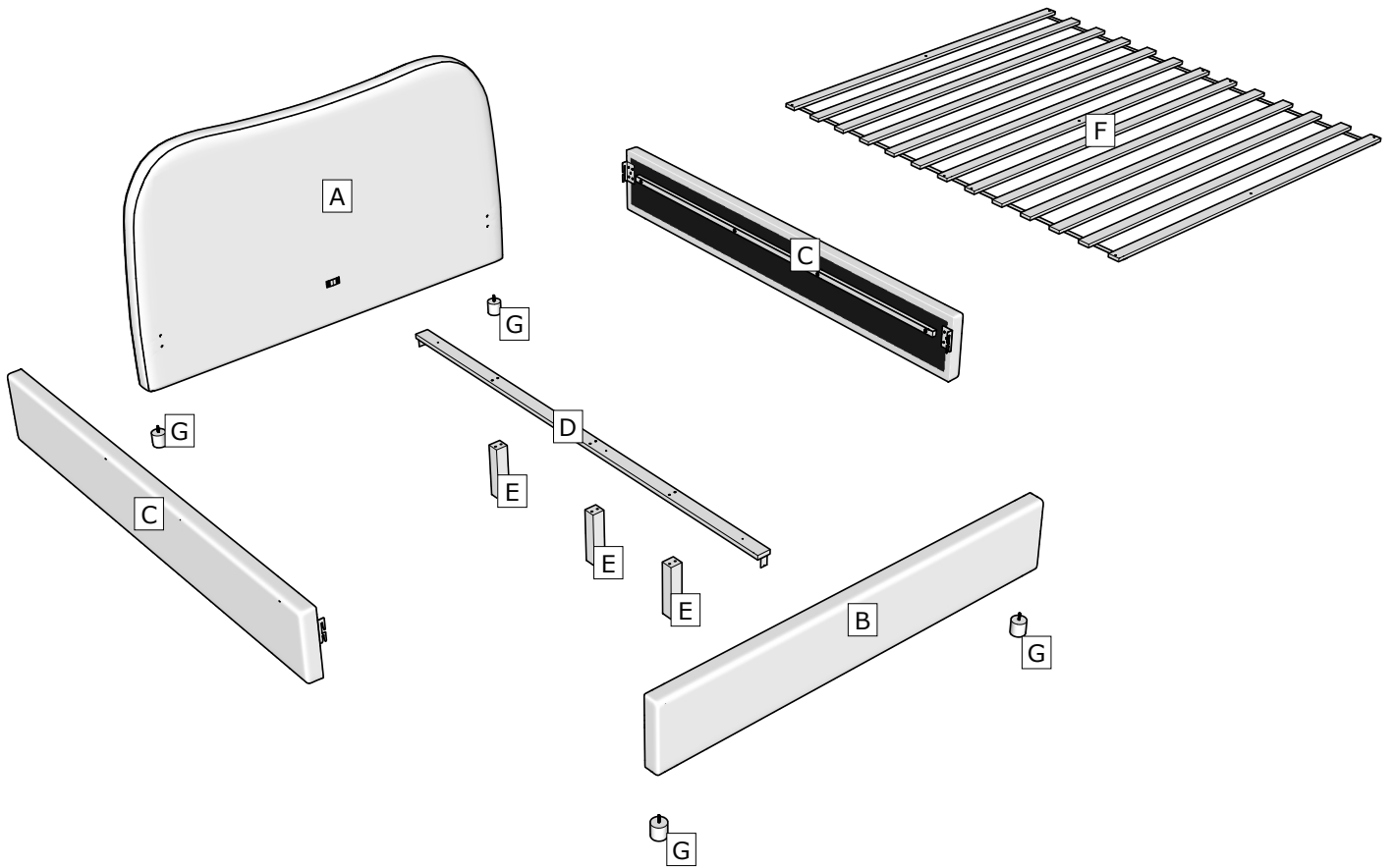
ADDITIONAL TOOL REQUIRED:



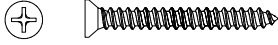

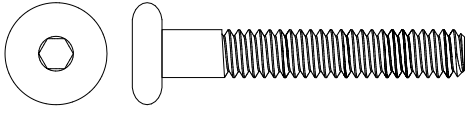
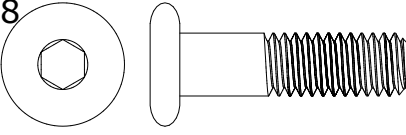


**#2 Philips Screwdriver
(Not Provided)**

BED PARTS

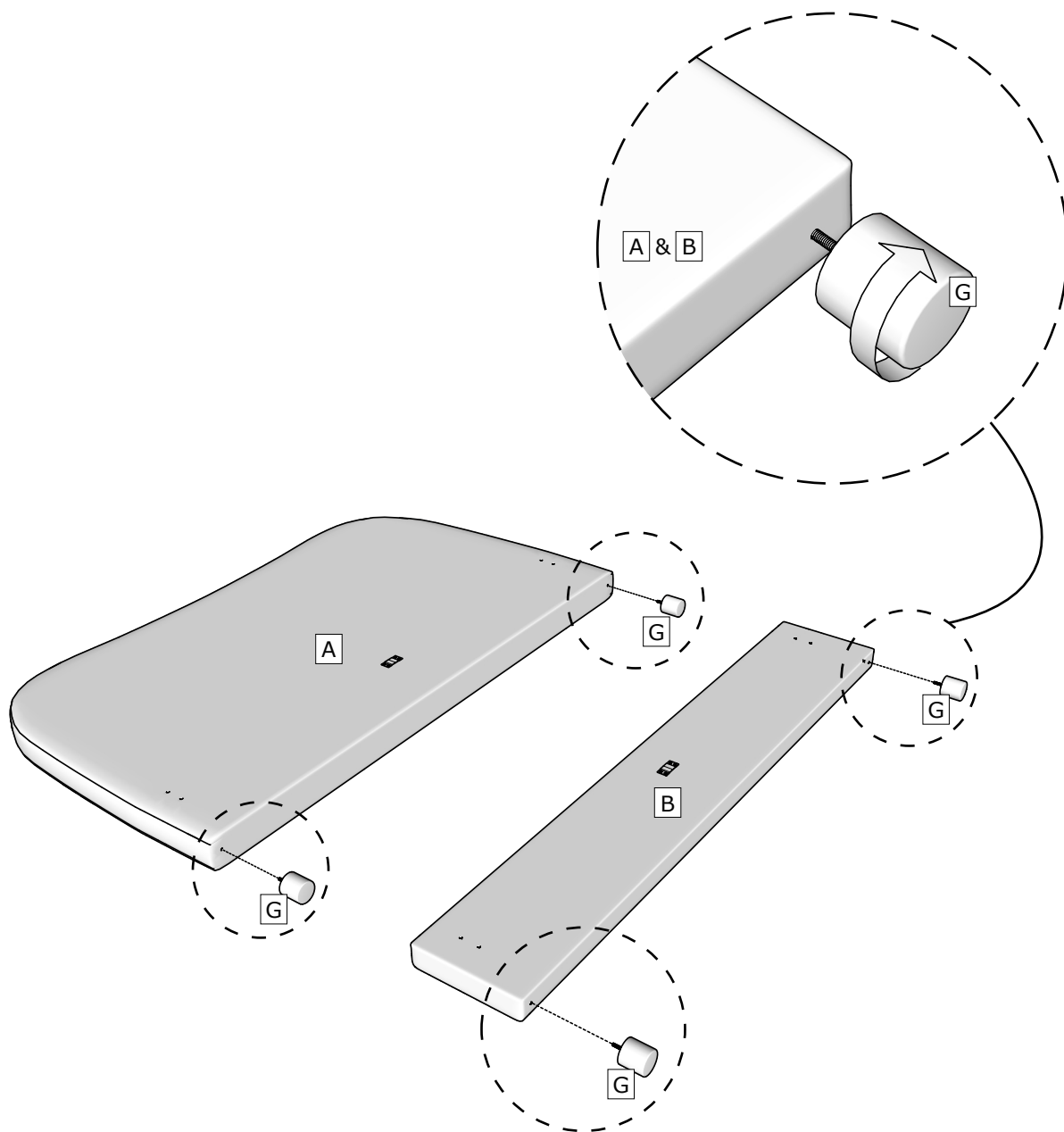
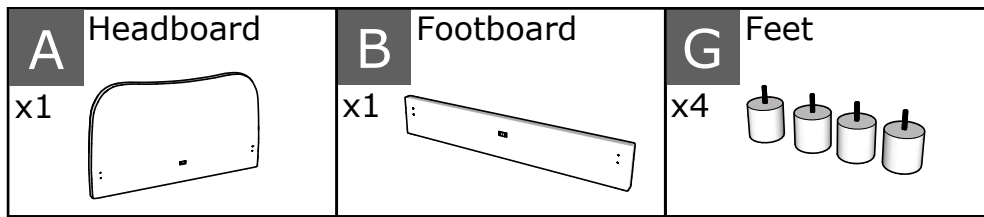
- A..... Headboard..... x 1
- B..... Footboard..... x 1
- C..... Side Panel..... x 2
- D..... Center Rail..... x 1
- E..... Center Support Leg..... x 3
- F..... Bed Slat..... x 13
- G..... Feet..... x 4



HARDWARE

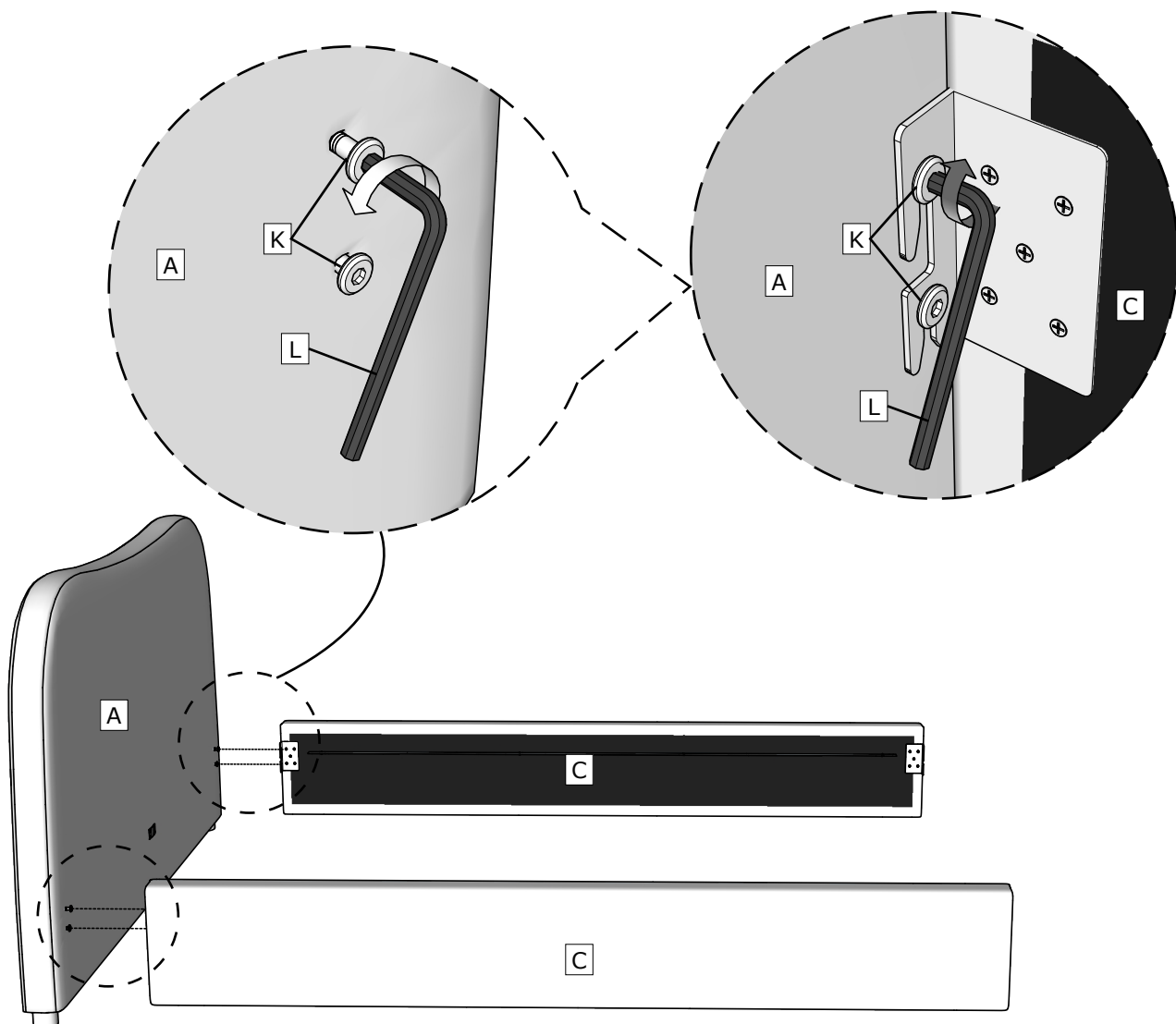
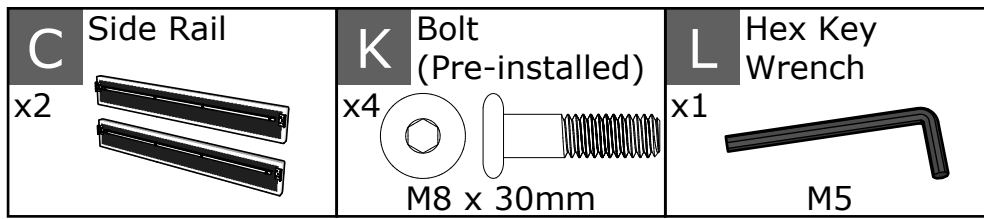
<p>H Screw x 12  M4 x 25mm</p>	<p>I Screw x 2  M4 x 20mm</p>	<p>J Bolt x 6  M6 x 40mm</p>
<p>K Bolt (Pre-installed) x 8  M8 x 30mm</p>	<p>L Hex Key Wrench x 1  M5</p>	<p>M Hex Key Wrench x 1  M4</p>

ASSEMBLY STEP 1



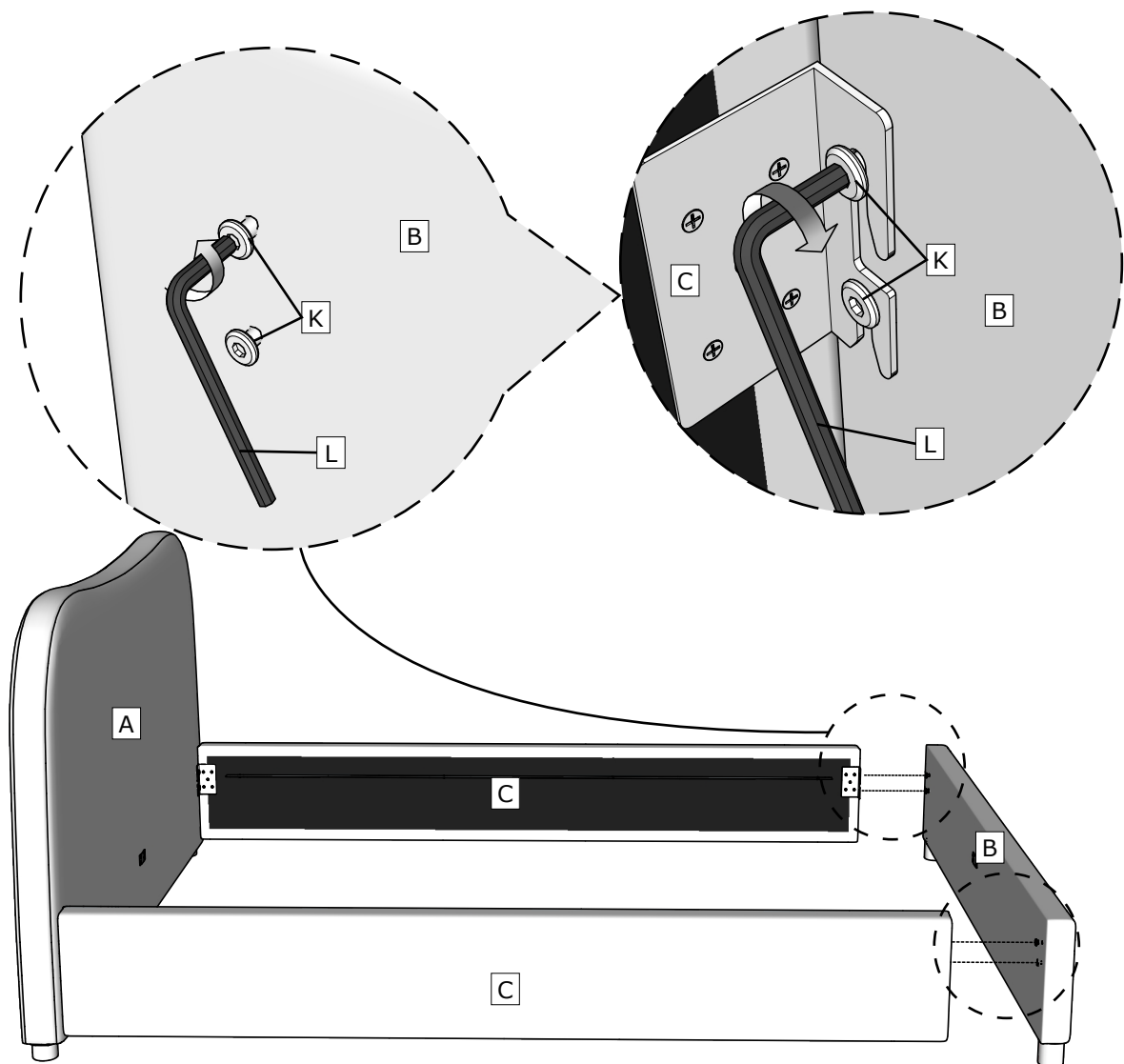
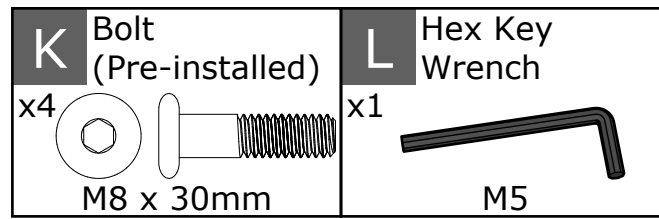
Attach **G** to **A** and **B** as shown.

ASSEMBLY STEP 2




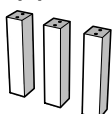
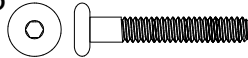

Loose Pre-installed Bolt **K** found on **A** using a Hex Key Wrench **L** as shown.
Attach Assembled Headboard to **C** with **K** found on **A** using a Hex Key Wrench **L** as shown.

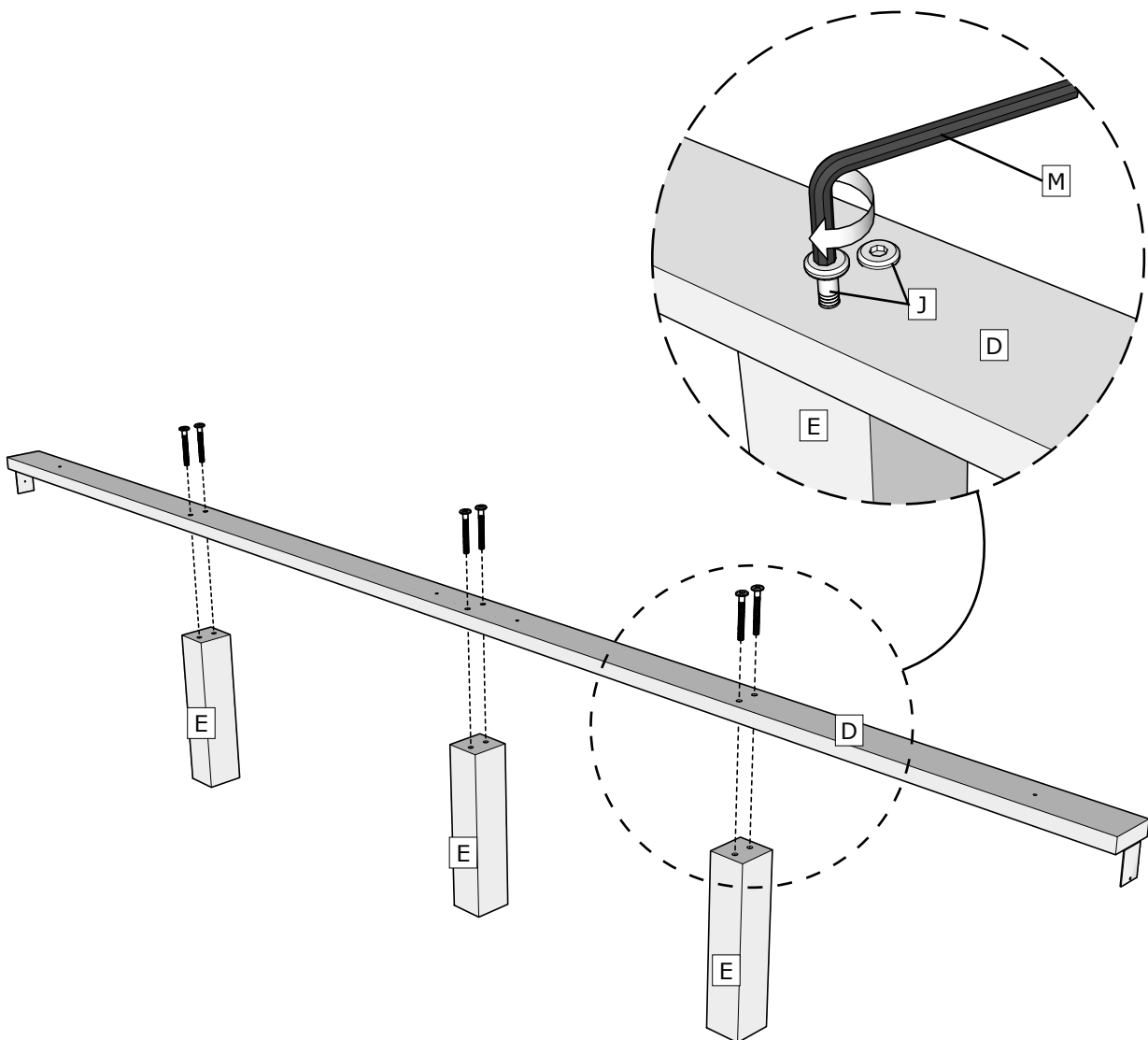
ASSEMBLY STEP 3



Loose Pre-installed Bolt **K** found on **B** using a Hex Key Wrench **L** as shown.
Attach Assembled Footboard to **C** with **K** found on **B** using a Hex Key Wrench **L** as shown.



ASSEMBLY STEP 4

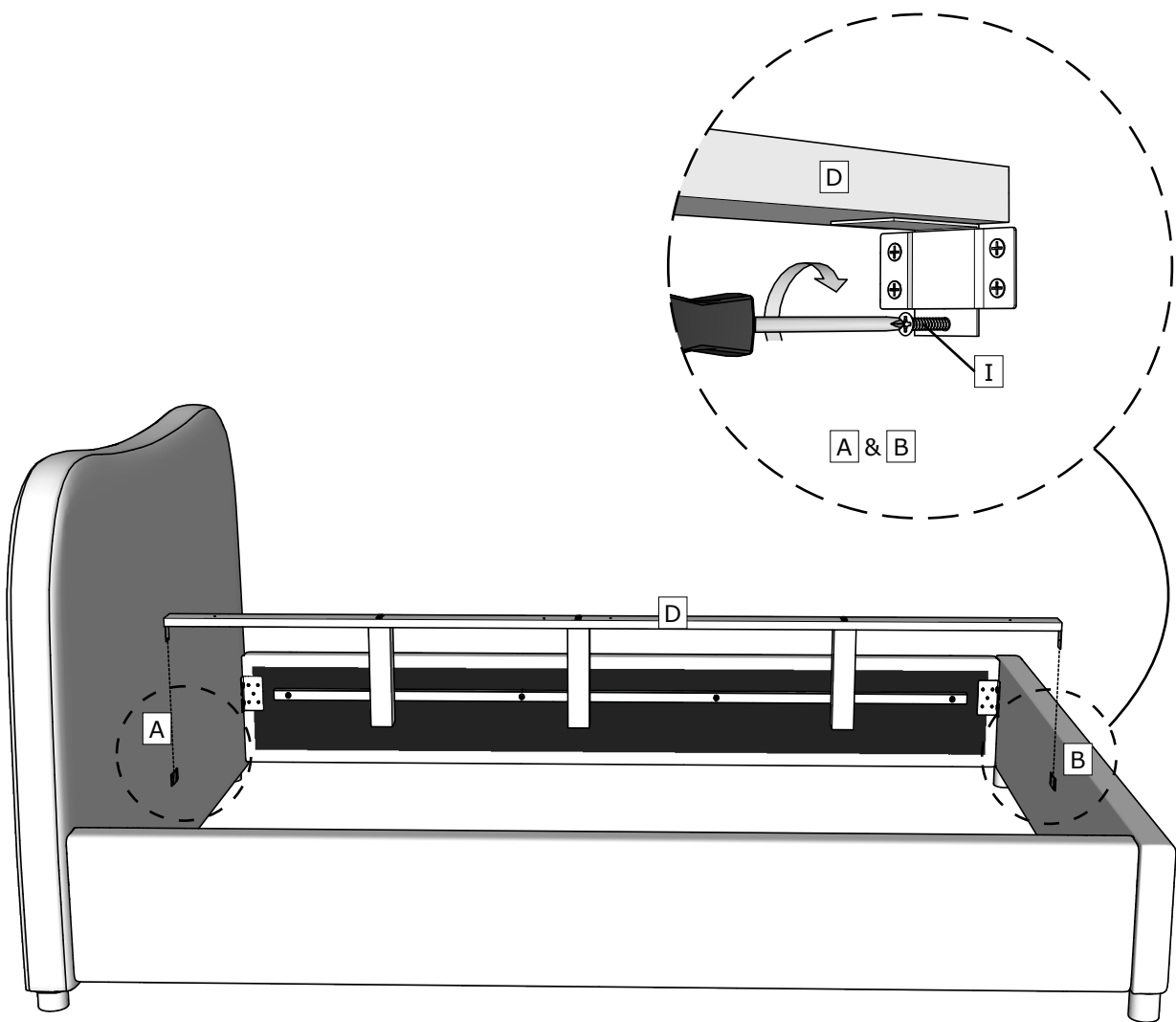
D Center Rail x1 	E Center Support Leg x3 	J Bolt x6  M6 x 40mm	M Hex Key Wrench x1  M4
--	---	---	---



Attach **D** to **E** with **J** using a Hex Key Wrench **M**.

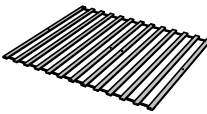


ASSEMBLY STEP 5

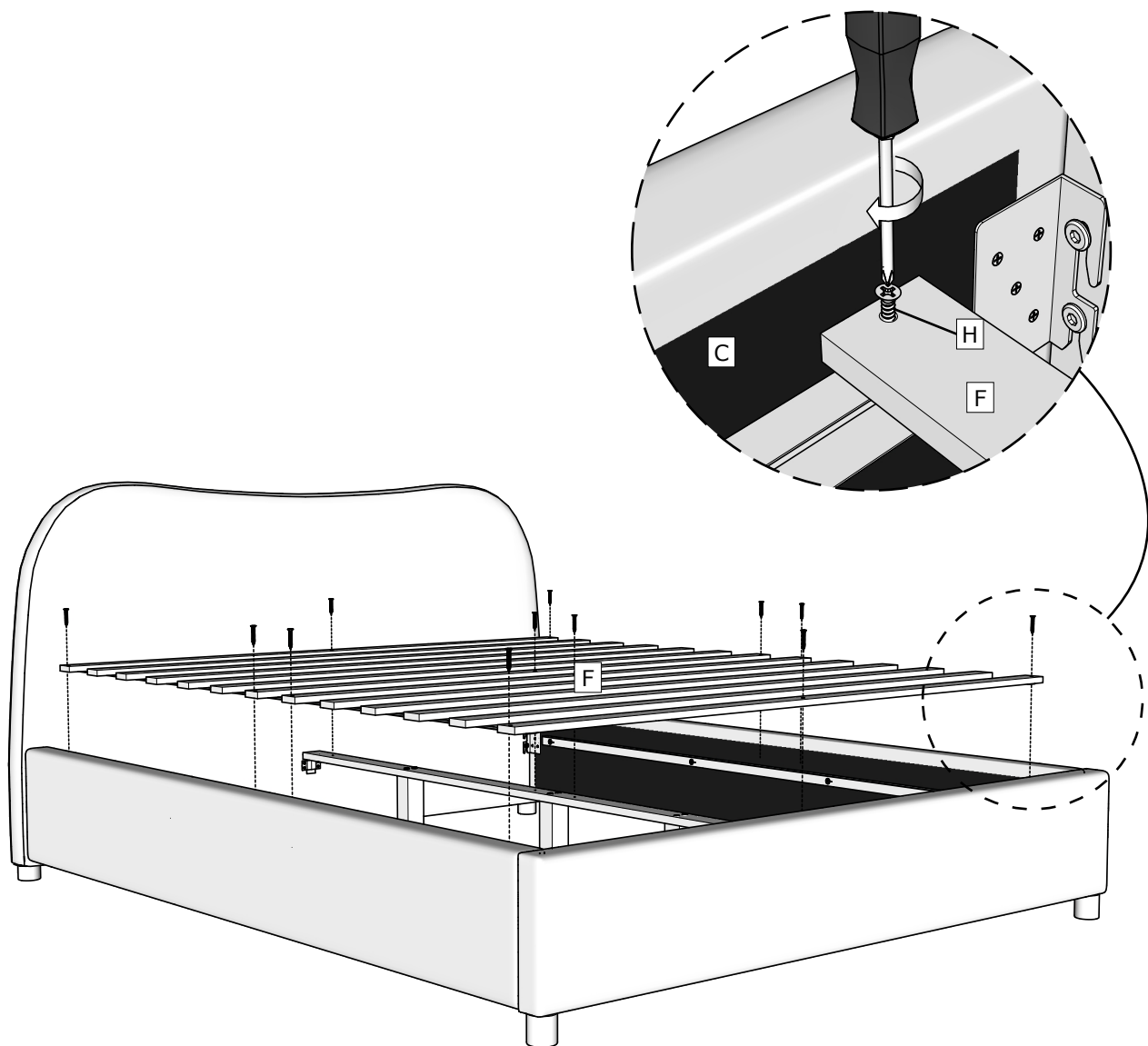
I	Screw	Philips Screwdriver
x2		
	M4 x 20mm	Not provided



Attach Assembled Center Support to Assembled Bed with **I** using a Philips Screwdriver.

ASSEMBLY STEP 6

F Bed Slat x13 	H Screw x12  M4 x 25mm	Philips Screwdriver  Not provided
---	---	---



Attach **F** to Assembled Bed with **H** using a Philips Screwdriver.