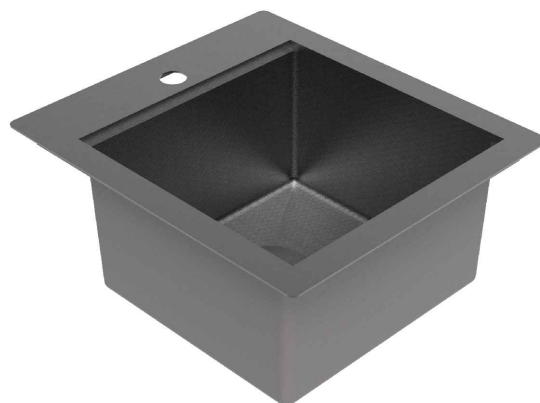


Series	Matrix
Material	16 Gauge, Type 304 stainless steel
Installation Type	Top mount / Drop-in
Configuration	Single bowl
Finish	Embossed hexagon finish
Overall Dimensions	17" x 19" x 9"
Bowl Dimensions	14" x 13 1/4" x 8 3/8"
Drain Size	3 5/8"
Finishes Available	Stainless Steel, Gunmetal Grey
Minimum cabinet size	21"
Template Included	Yes
Clips Included	Yes
Drain Location	Rear
Accessories Included	Strainer, Cutting board and Strainer cap

Shown in Gunmetal Grey



MODEL	ACCESSORY
HST1719SBGG	Cutting Board - CB1414BLR5
HST1719SBGG	Strainer Cap - L-CAPGG
HST1719SBGG	Strainer - L-1GGMA
HST1719SBSS	Cutting Board - CB1414BLR5
HST1719SBSS	Strainer Cap - L-CAP
HST1719SBSS	Strainer - L-1

MODEL	FINISH
HST1719SBGG	Gunmetal Grey
HST1719SBSS	Stainless Steel

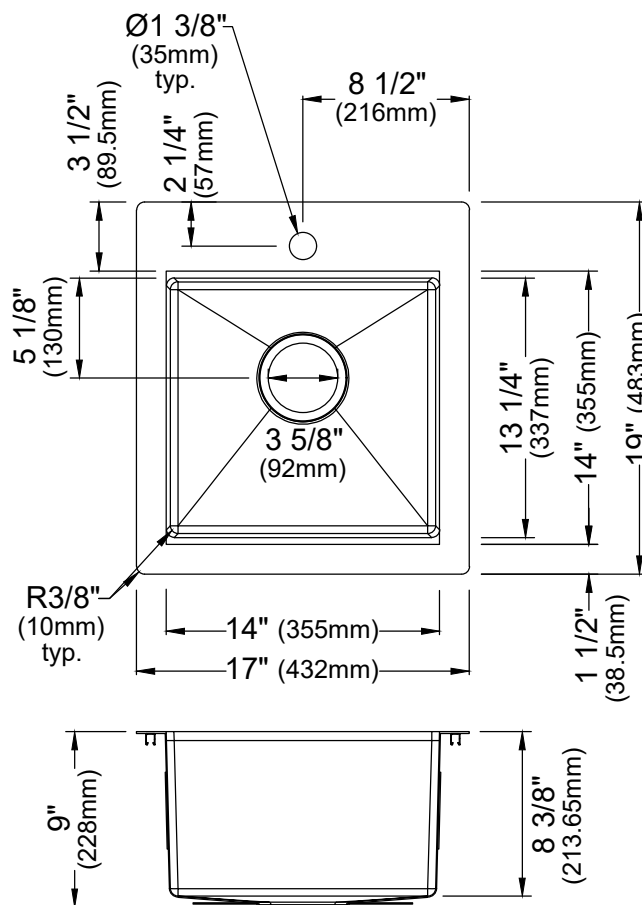
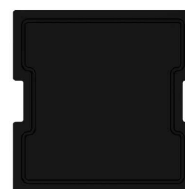
Stocked Color Options



Stainless Steel



Gunmetal Grey



Listing and certifications:
cUPC

Limited lifetime warranty