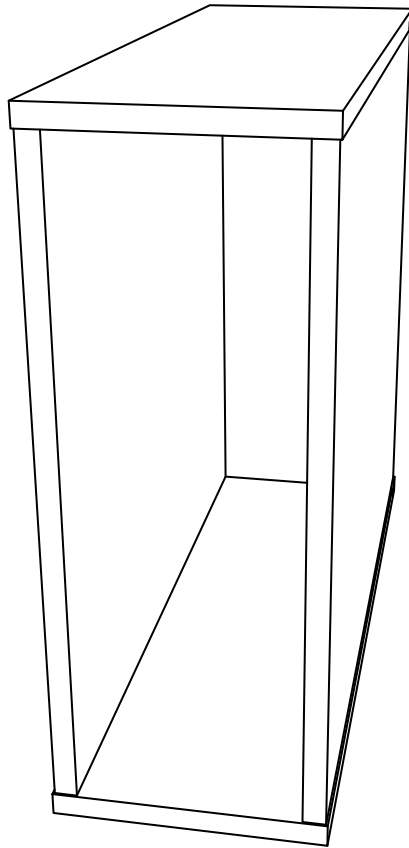
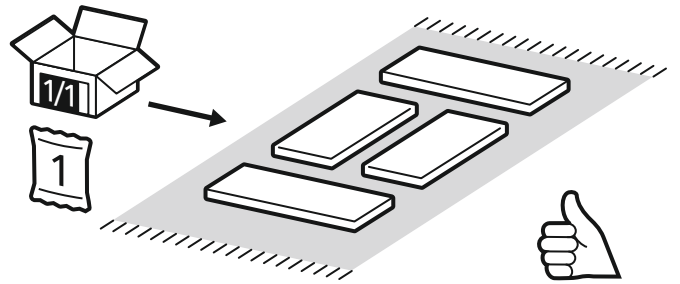
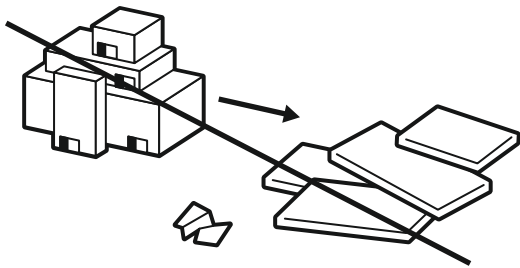
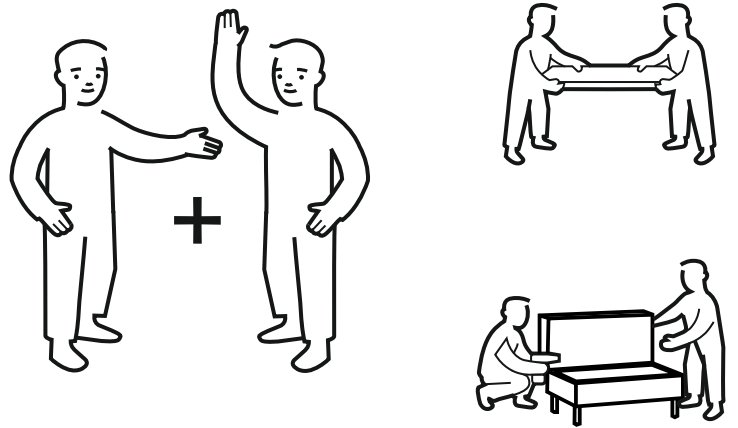
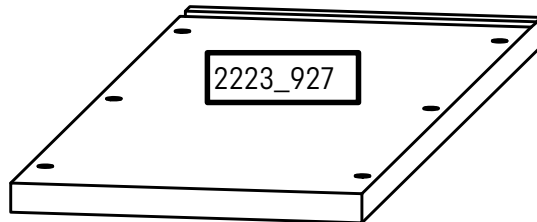
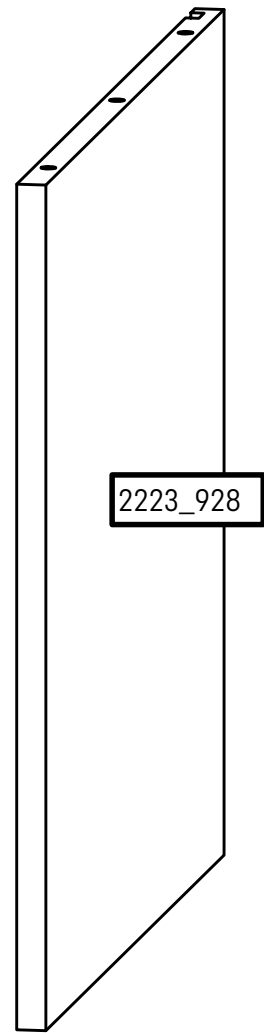
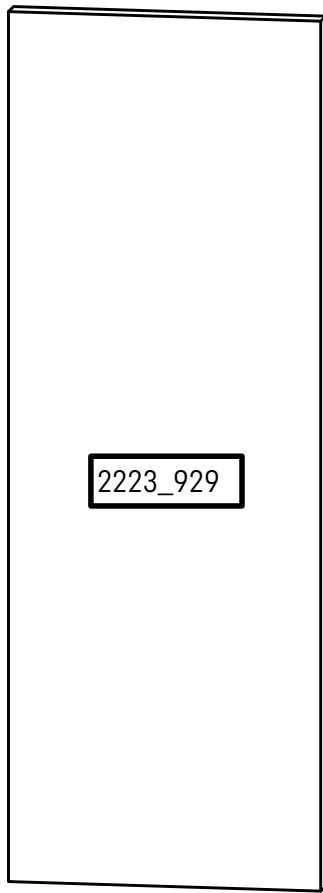
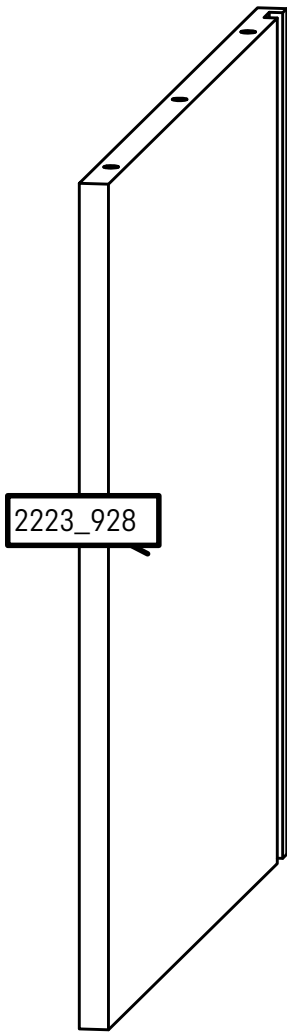
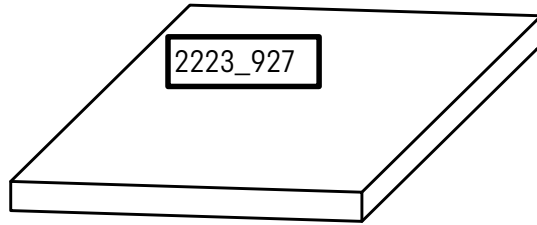
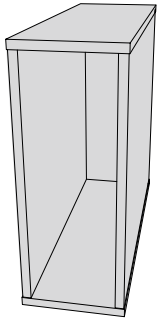
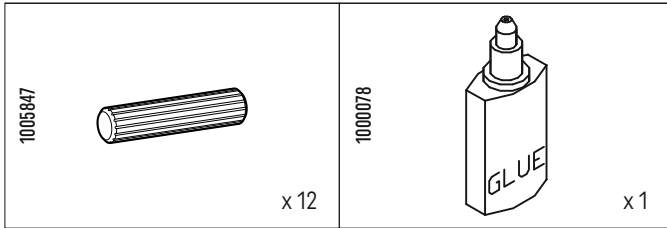
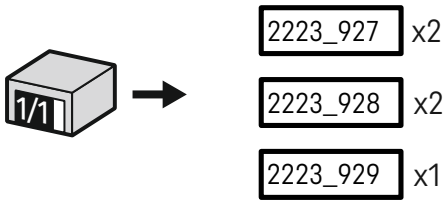
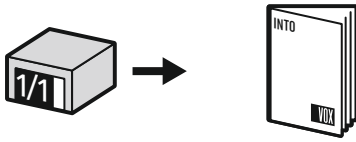


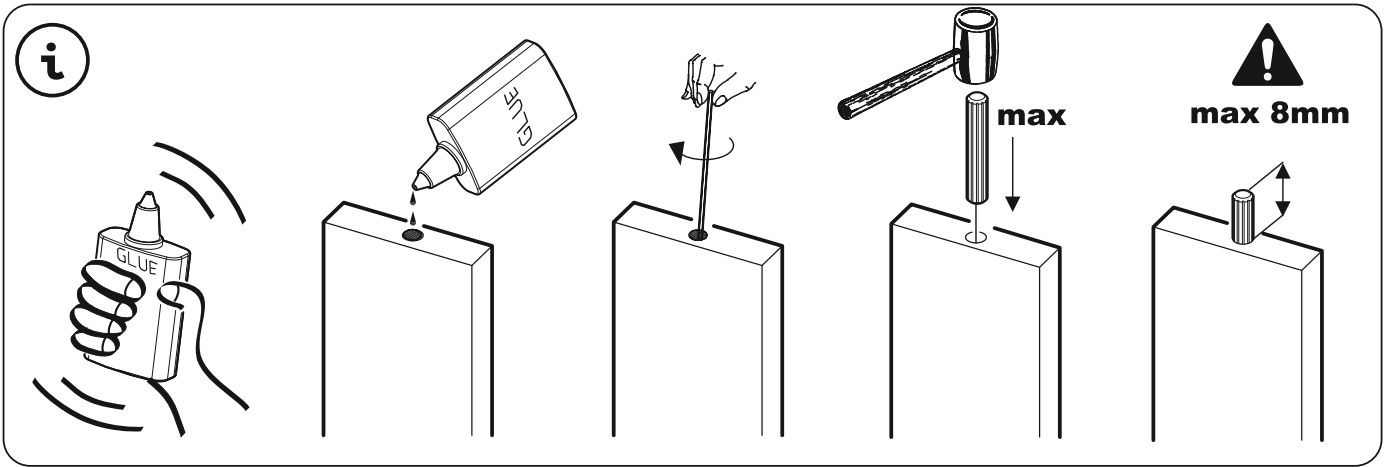
15x42x38 cm
6x16 1/2x15"



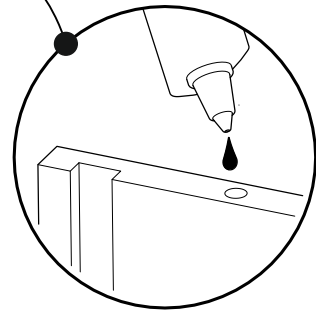
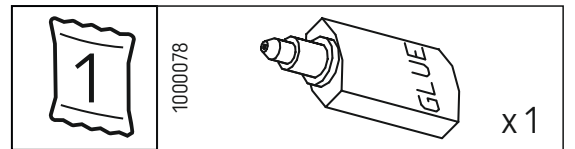
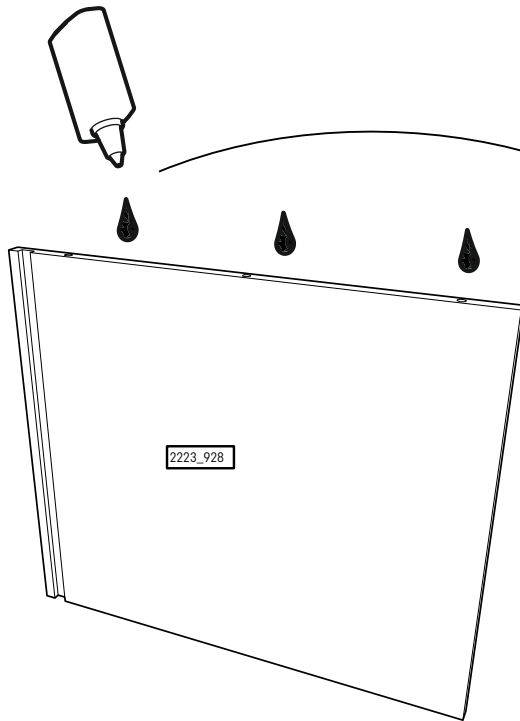






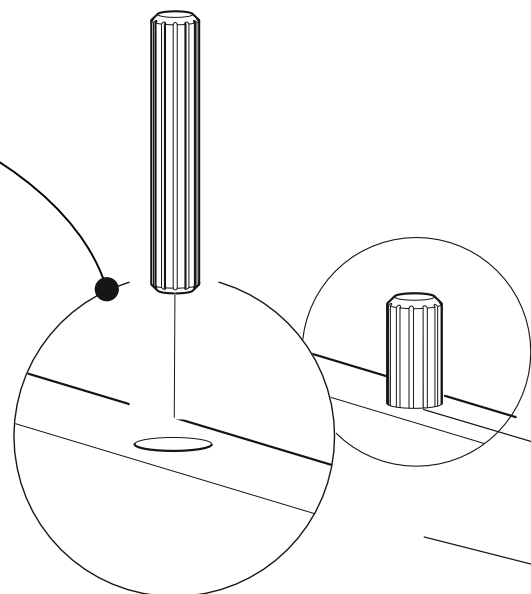
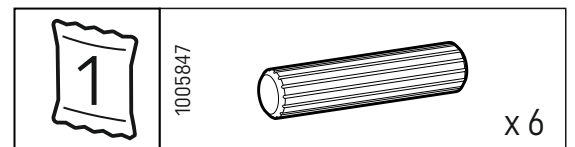
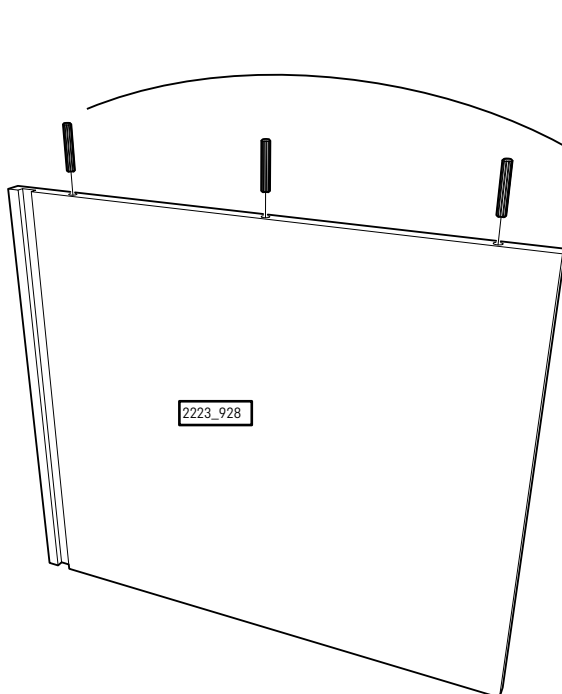


1



x2

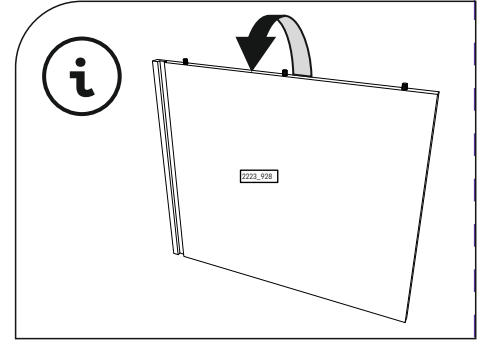
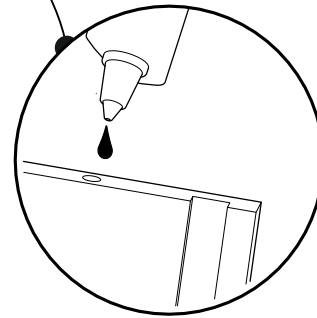
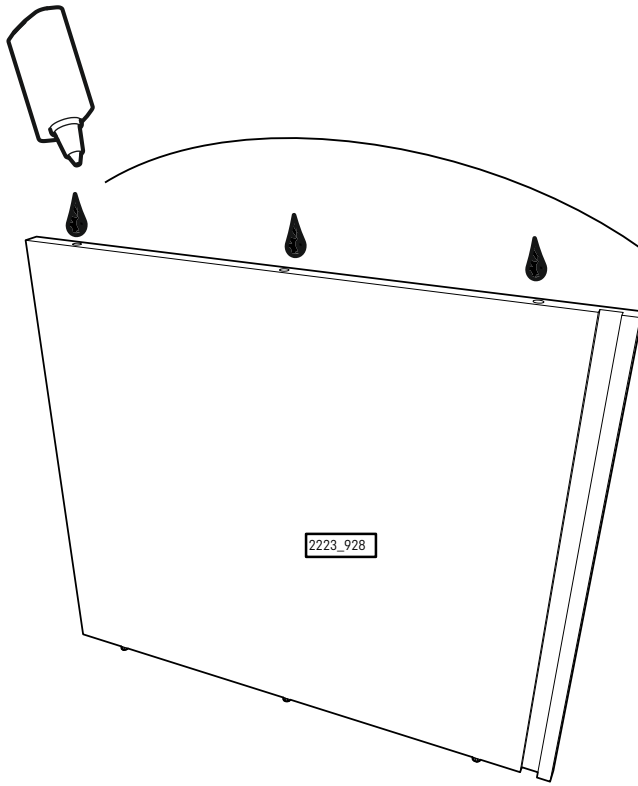
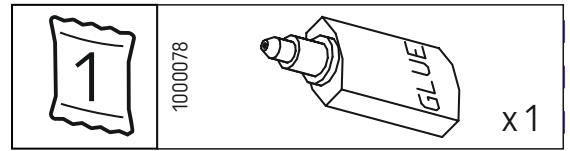
2



x2

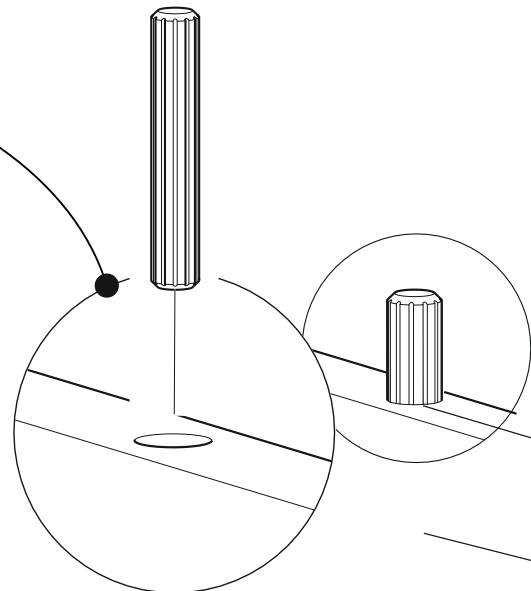
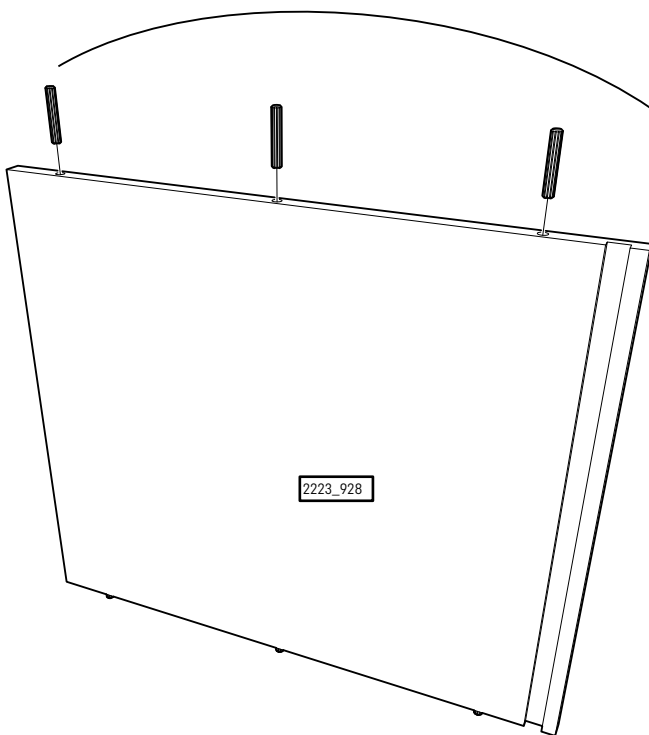
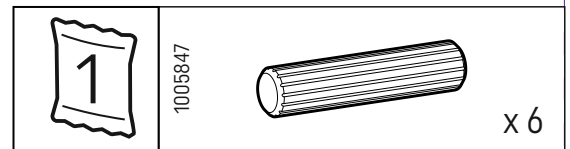
max

3



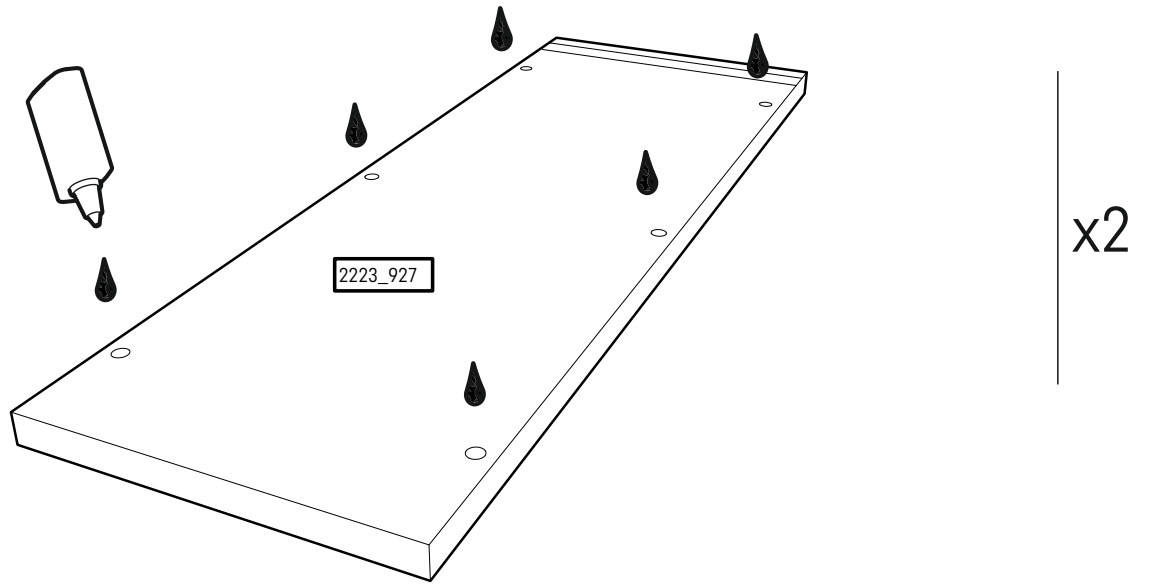
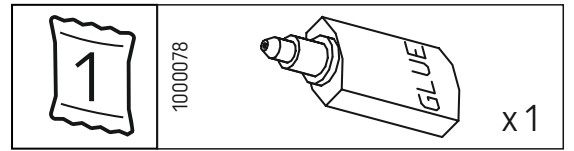
x2

4

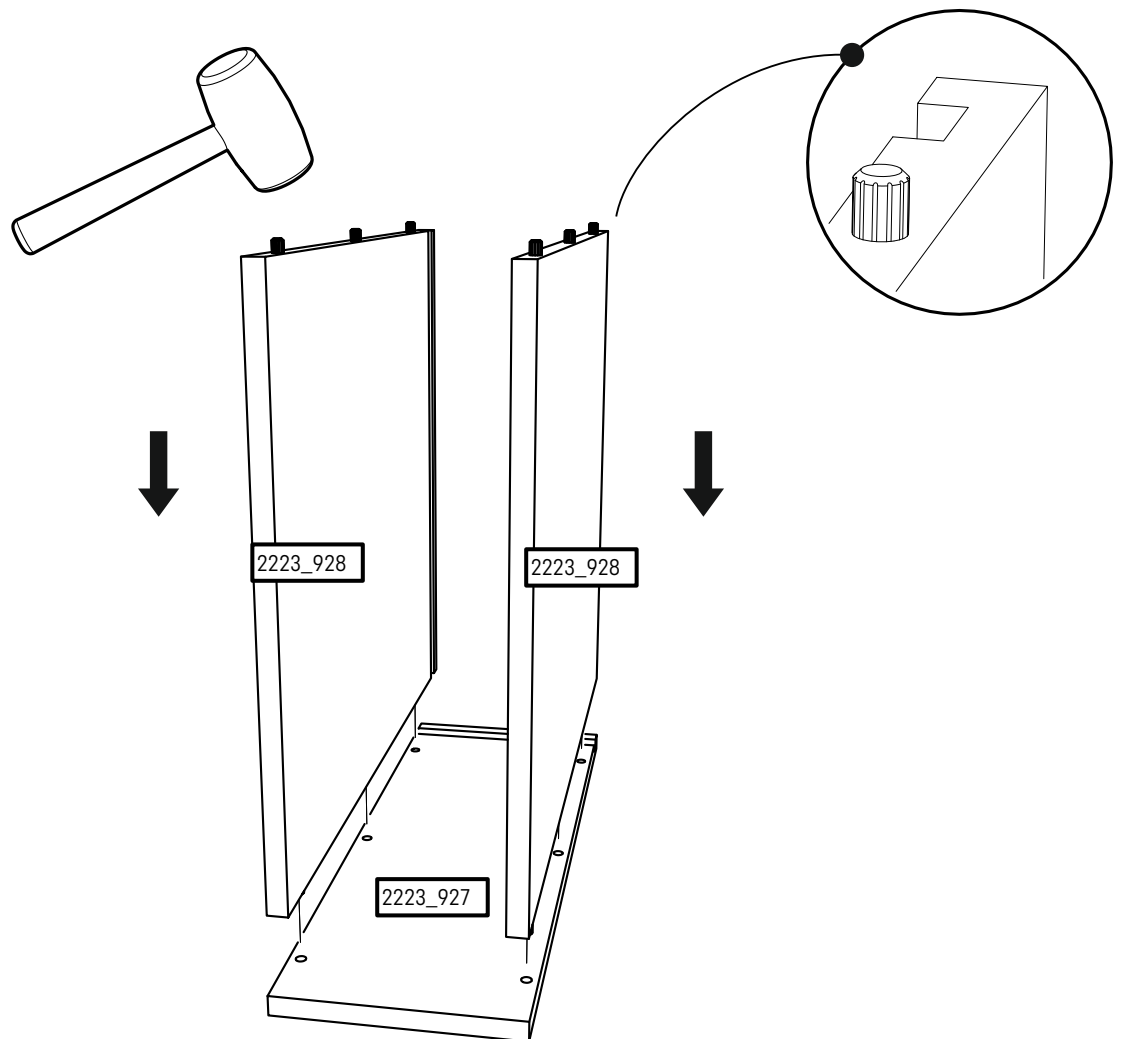


x2

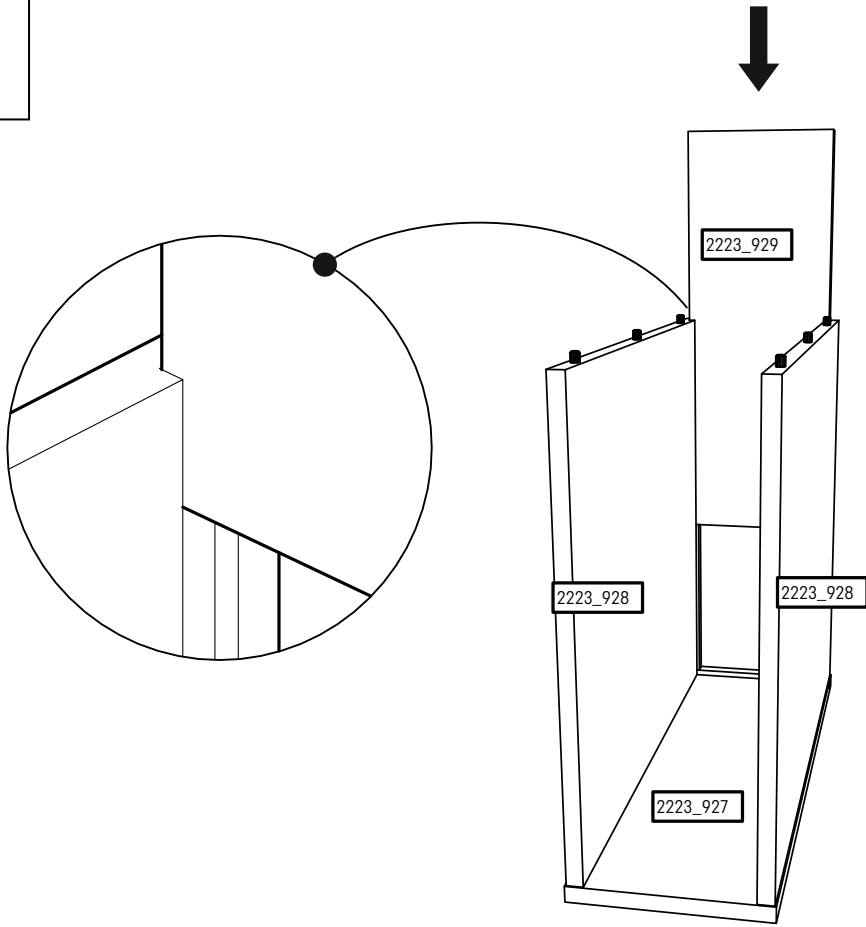
5



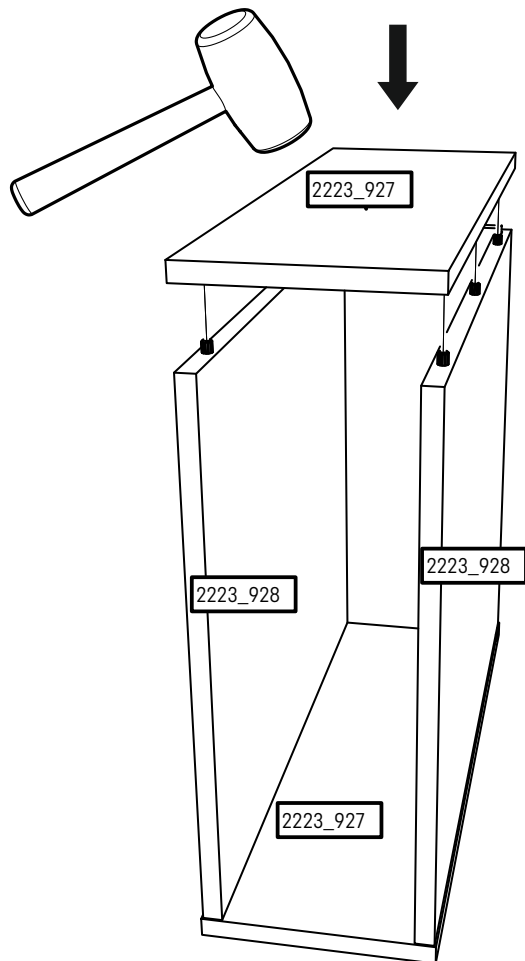
6

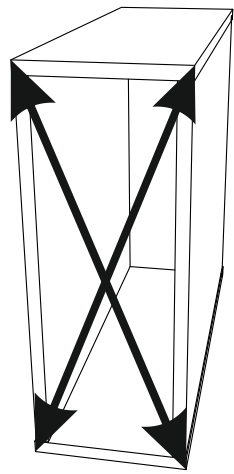


7



8





$$x = y$$



2h

9

