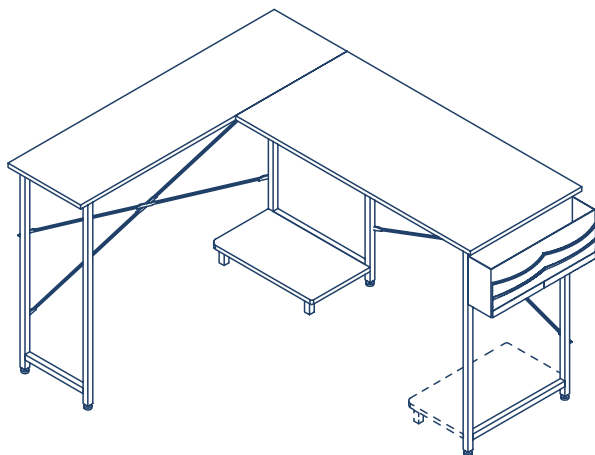


L SHAPED DESK

USER MANUAL



Contents

1 PRE-INSTALLATION PREPARATION 01

1-1 Thank You For Choosing Our Product 01

1-2 Package Contents 01

1-3 Precautions 01

2 INSTALLING MODULES 02

2-1 Disassembly Diagram 02

2-2 Parts List 03

2-3 Assembly Instructions 05

3 CUSTOMER SERVICE 20

3-1 30-Day Return Policy 20

3-2 1-Year Warranty 20

3-3 Quick Response Within 24 Hours 20

4 PROBLEMS YOU MAY ENCOUNTER 21

Thank you for choosing our product.

Before assembly, please read this USER MANUAL first, and check according to Parts List to make sure all parts are included.

Feel free to contact us if you have any concerns or questions about your product, we are always ready to help. Your satisfaction is our first priority!

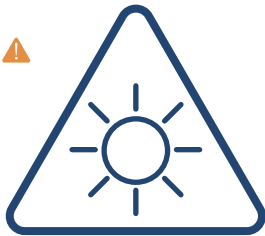
Package Contents

L Shaped Desk

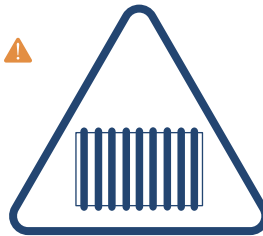
Assembly Tool Kit

Instruction Manual

Precautions



1. Avoid long-term direct sunlight exposure.



2. Keep away from heat.



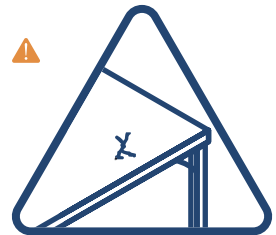
3. Keep away from sharp objects.



4. Keep infants/children away from assembly parts to avoid choking and suffocation.

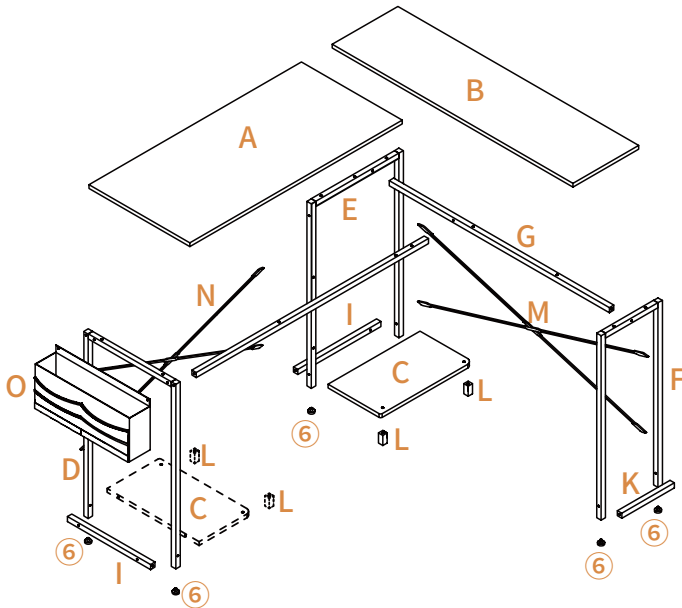
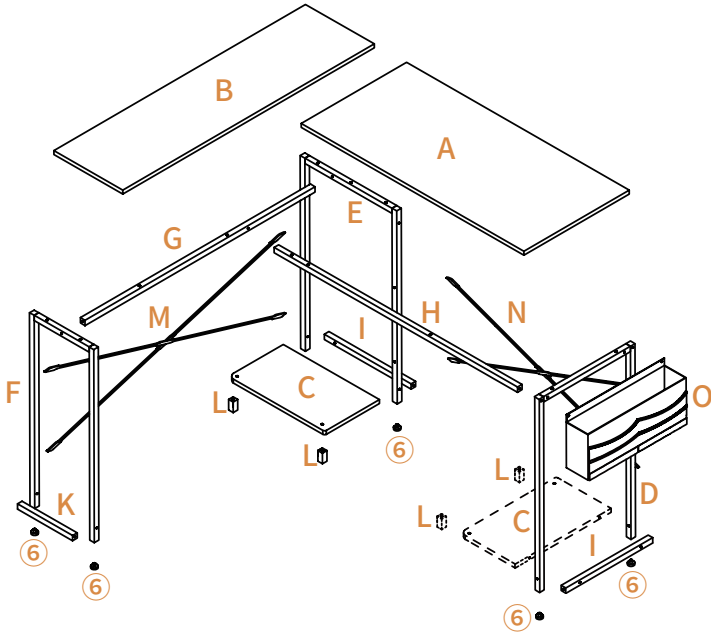


5. Keep away from corrosive substances.



6. Pay attention to avoid over-tightening fasteners, or they may induce cracking within the board.

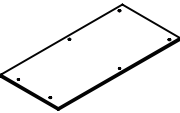
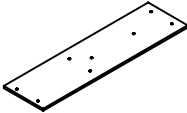
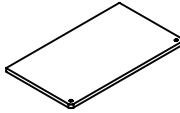
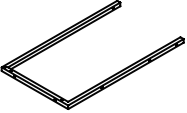
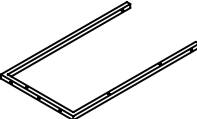
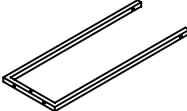
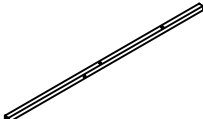
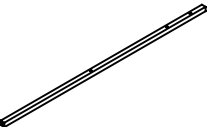
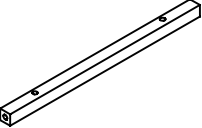
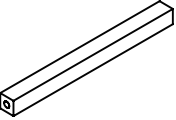
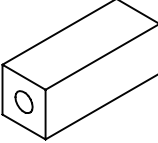


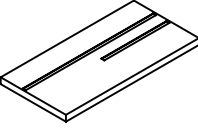
Disassembly Diagram




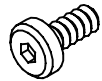
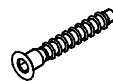

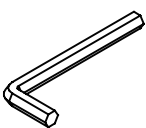
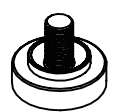
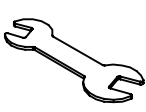
Parts List

For ease and safety, we recommend two people for assembly.



A x1 	B x1 	C x1 	D x1 
E x1 	F x1 	G x1 	H x1 
I x2 	K x1 	L x2 	M x1 
N x1 	O x1 		

Parts List

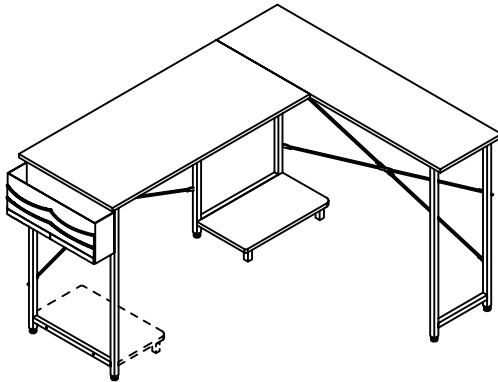
<p>①</p> <p>x31</p>  <p>M6*30</p> <p>3 Spares</p>	<p>②</p> <p>x7</p>  <p>M6*12</p> <p>1 Spare</p>	<p>③</p> <p>x3</p>  <p>M6*50</p> <p>1 Spare</p>	<p>④</p> <p>x5</p>  <p>M6</p> <p>1 Spare</p>
<p>⑤</p> <p>x2</p>  <p>M4</p>	<p>⑥</p> <p>x7</p>  <p>M6</p> <p>1 Spare</p>	<p>⑦</p> <p>x1</p> 	

Assembly Instructions

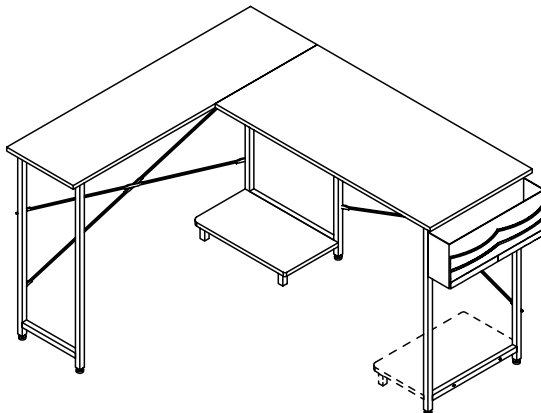
Note that the two boards of the desk can be swapped between the left and right when installing.

Please refer to the 1L-8L steps for the left corner and the 1R-8R steps for the right corner, and other steps are the same.

Right corner direction

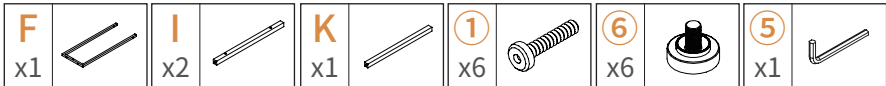
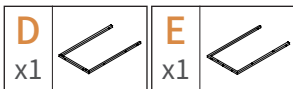
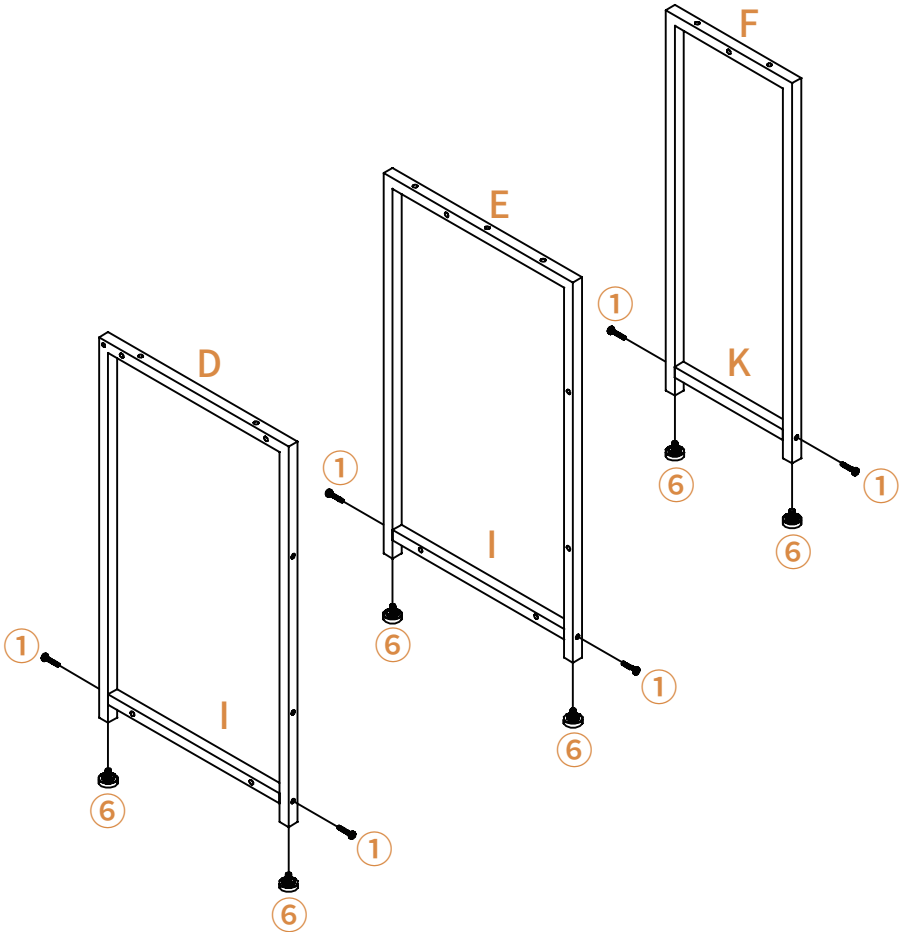


Left corner direction



Assembly Instructions

1-R

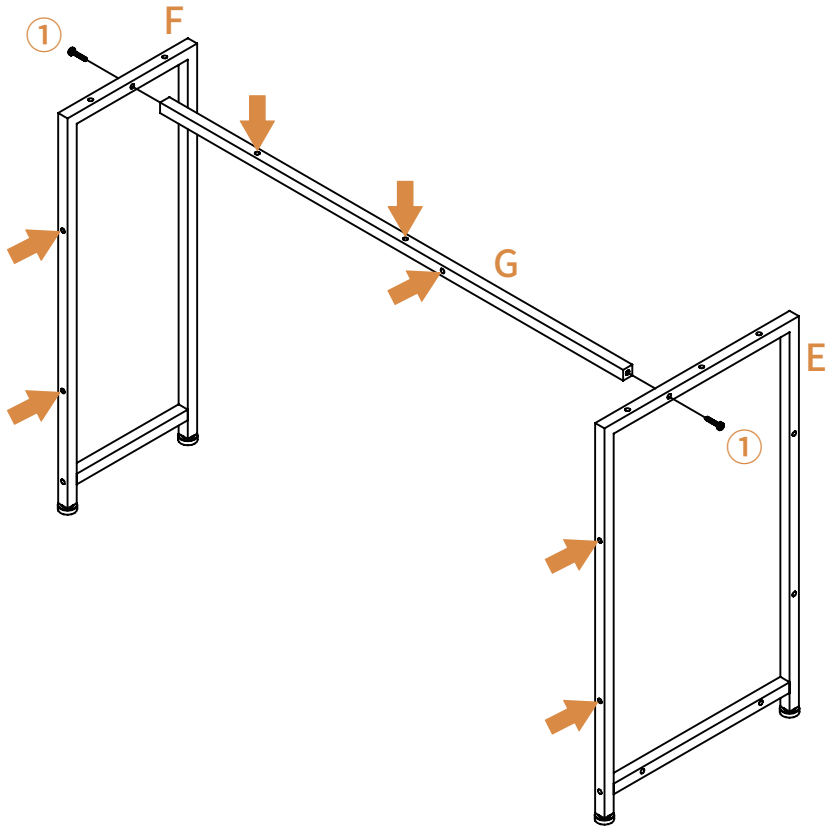


Assembly Instructions

2-R

The direction of the screw holes pointed by the arrow on E and F should face outward when assembling.

For the left corner desk, E is to the left of F. For the right corner desk, E is to the right of F. Please distinguish the installation direction of G according to the hole position pointed by the arrow.

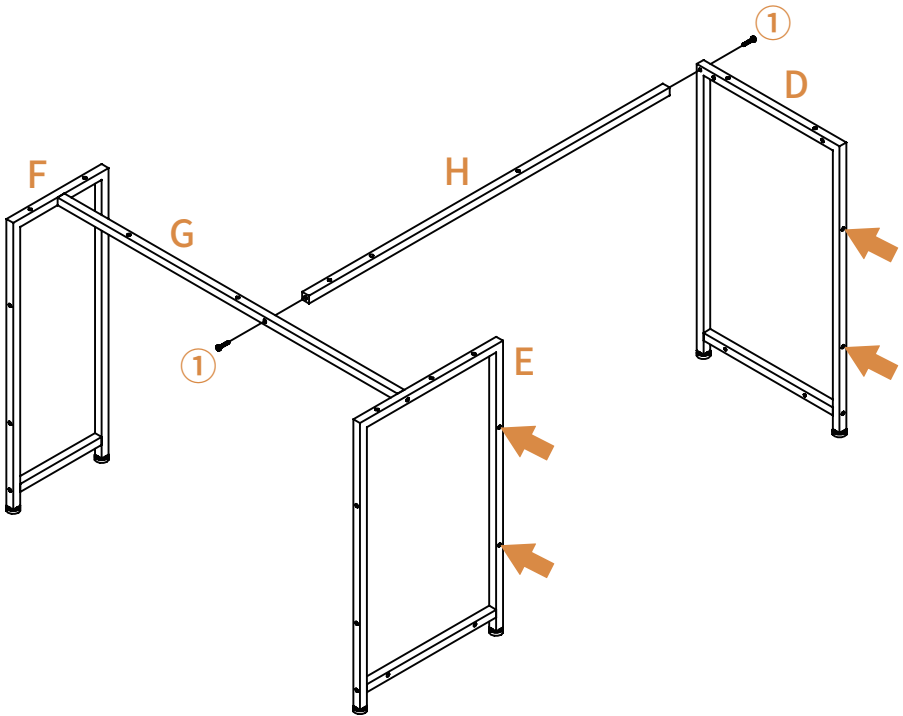




G x1		1 x2		5 x1	
----------------	---	----------------	---	----------------	---

Assembly Instructions

3-R

When installing D, the holes on D and E pointed by arrows face outward.
Please distinguish the installation direction of H according to the hole position pointed by the arrow.

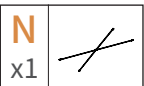
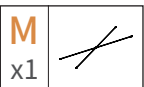
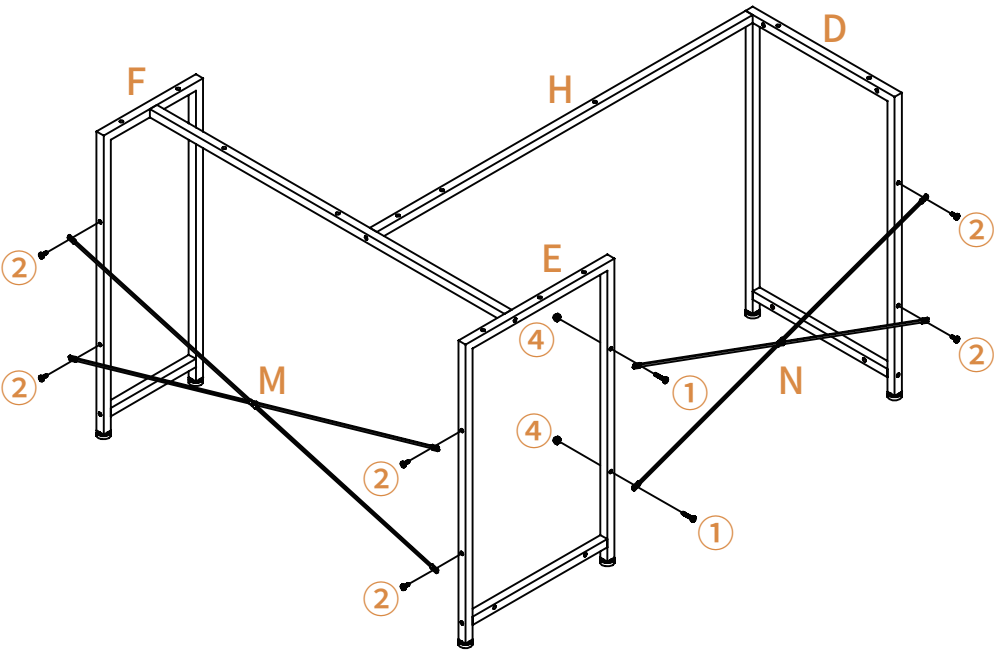


H x1		1 x2		5 x1	
----------------	---	----------------	---	----------------	---

Assembly Instructions

4-R

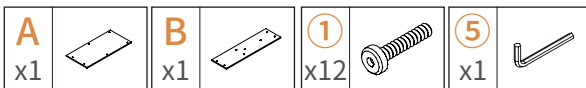
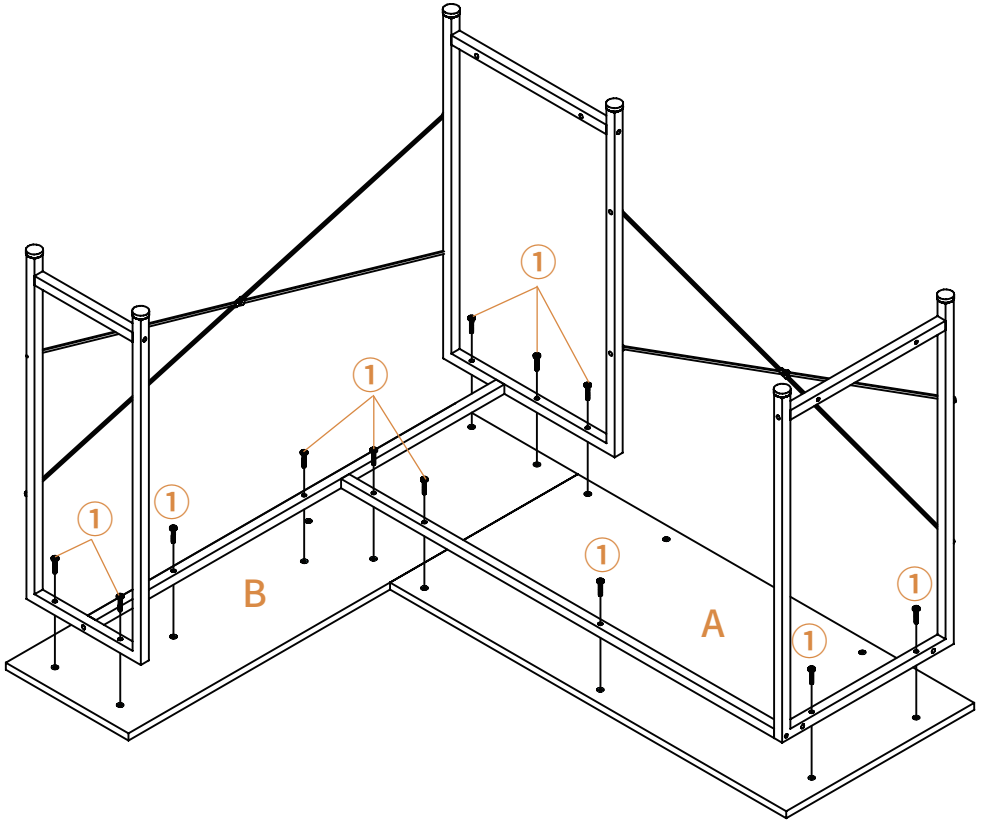
Screws ① and ② are used here.



Assembly Instructions


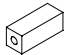


5-R

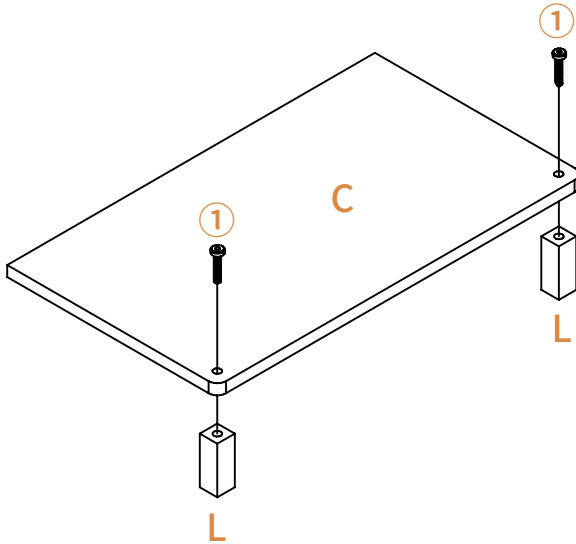
First screw all the screws ① into the screw holes, then tighten the screws ① after desk boards A and B are completely aligned.



Assembly Instructions



6-R

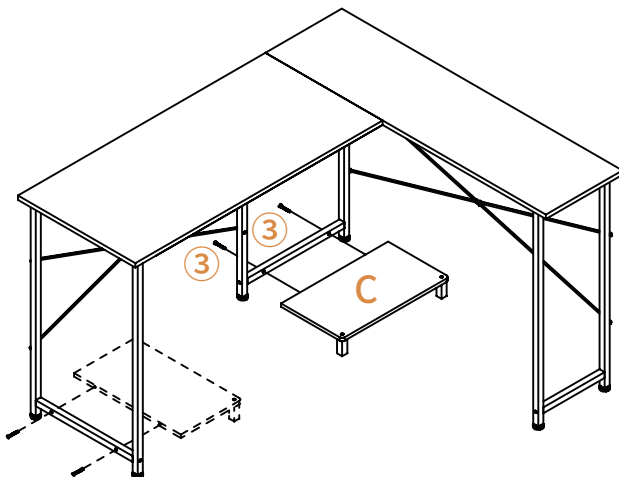
C x1	
L x2	
1 x2	
5 x1	



7-R

Install part C into the position you want according to the diagram.

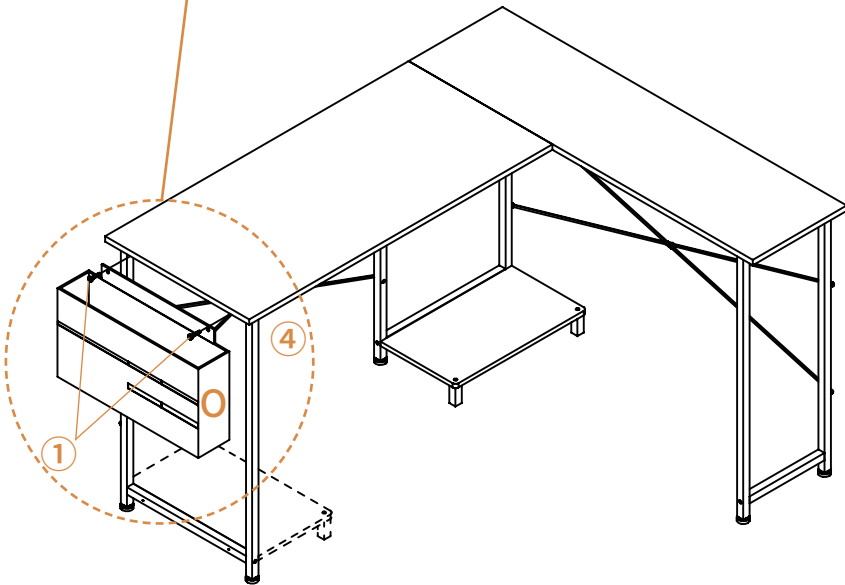
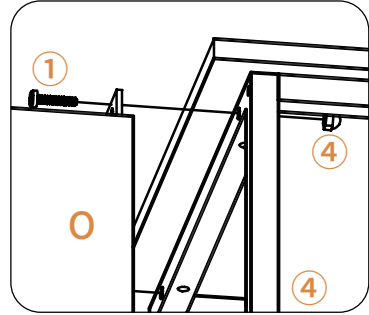
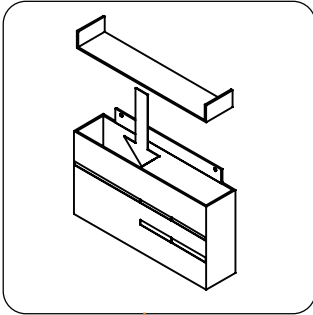
3 x2	
5 x1	



Assembly Instructions

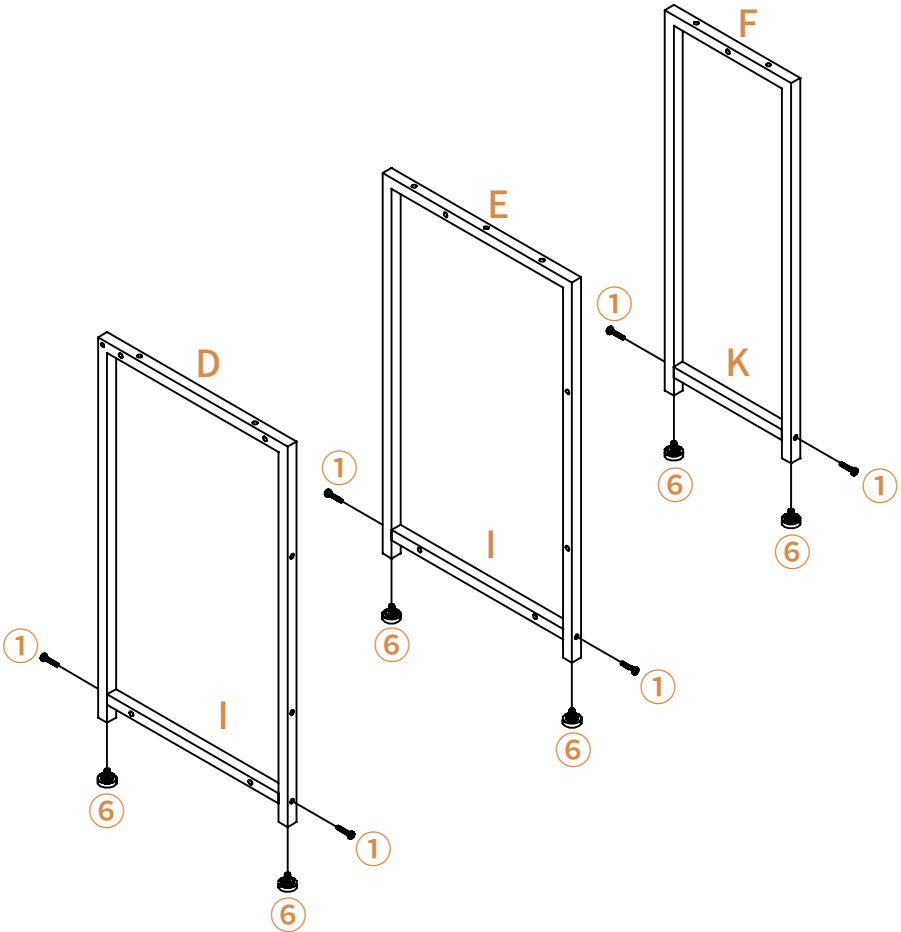
8-R

Use screws ① and nuts ④ to install the bag.



Assembly Instructions

1-L

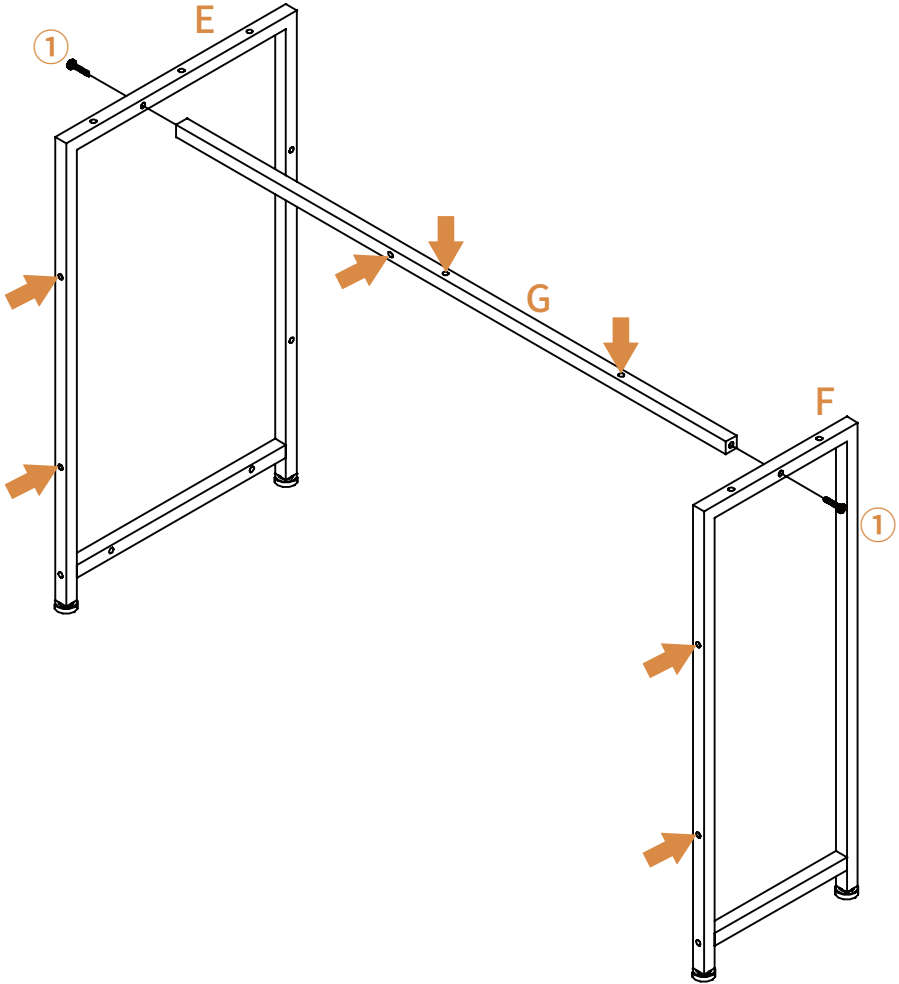


Assembly Instructions

2-L

The direction of the screw holes pointed by the arrow on E and F should face outward when assembling.

For the left corner desk, E is to the left of F. For the right corner desk, E is to the right of F. Please distinguish the installation direction of G according to the hole position pointed by the arrow.

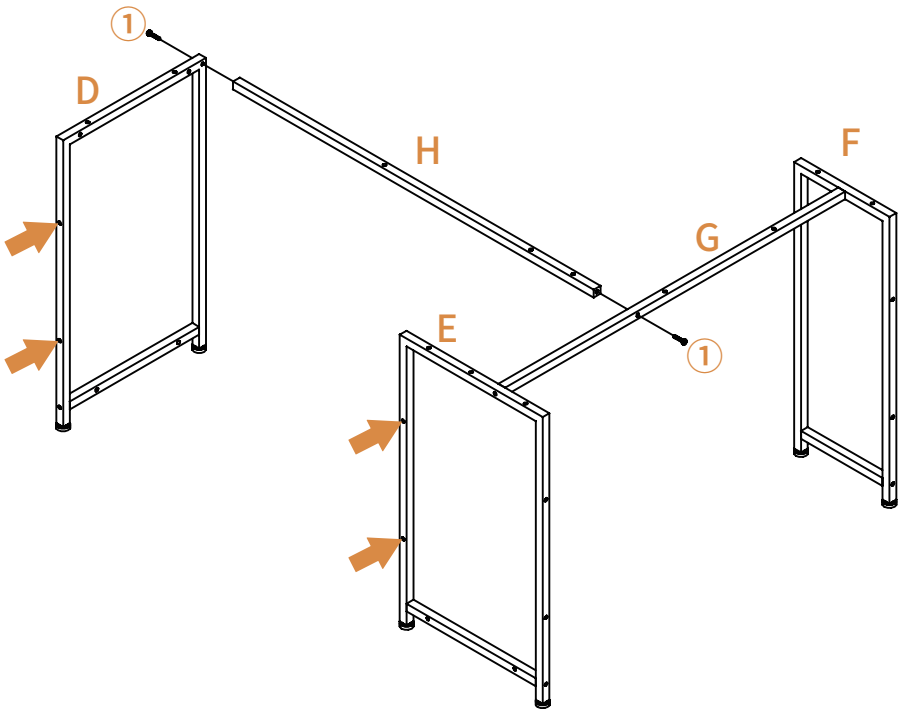


G x1		1 x2		5 x1	
----------------	---	----------------	---	----------------	---

Assembly Instructions

3-L

When installing D, the holes on D and E pointed by arrows face outward. Please distinguish the installation direction of H according to the hole position pointed by the arrow.

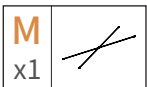
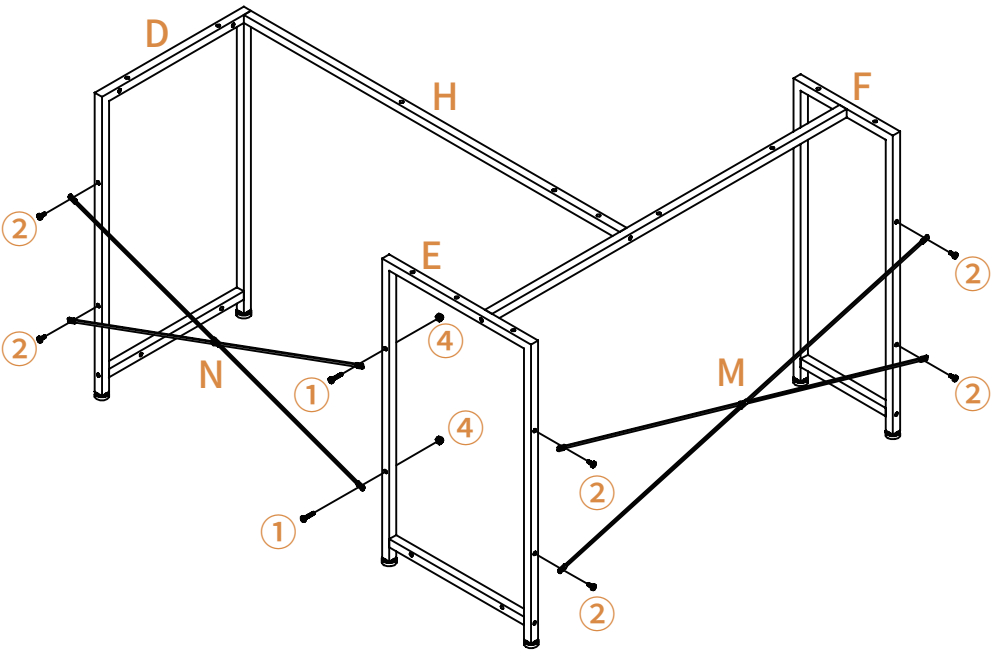


H x1		1 x2		5 x1	
----------------	---	----------------	---	----------------	---

Assembly Instructions

4-L

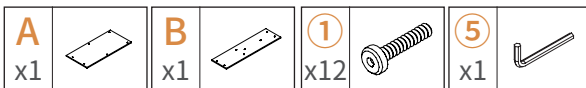
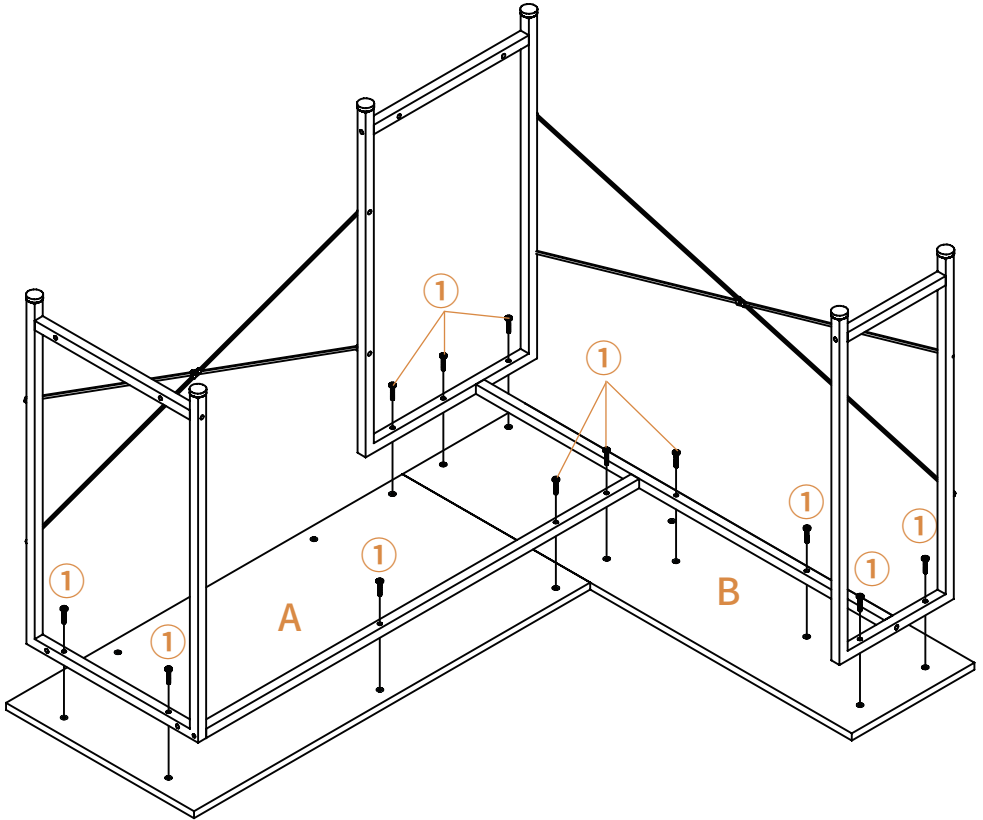
Screws ① and ② are used here.



Assembly Instructions

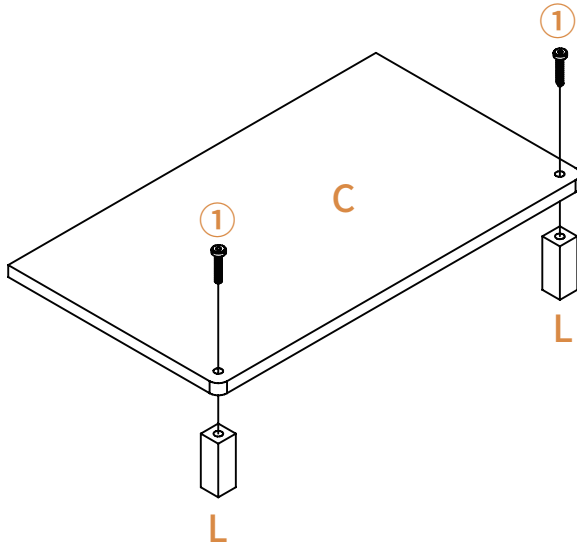
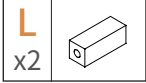
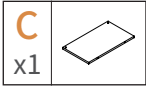
5-L

First screw all the screws ① into the screw holes, then tighten the screws ⑤ after desk boards A and B are completely aligned.



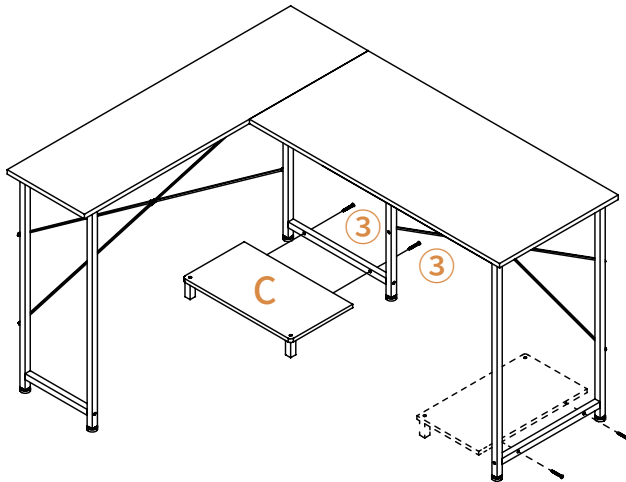
Assembly Instructions

6-L



7-L

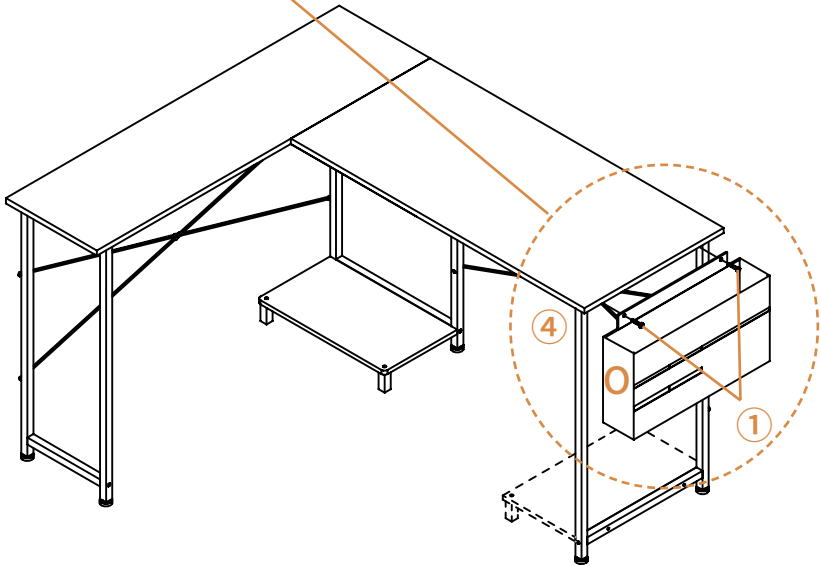
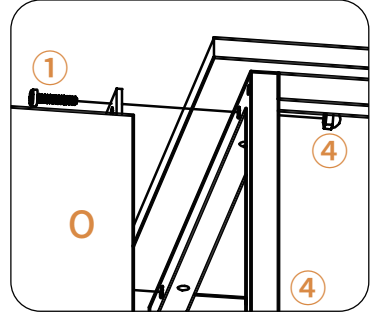
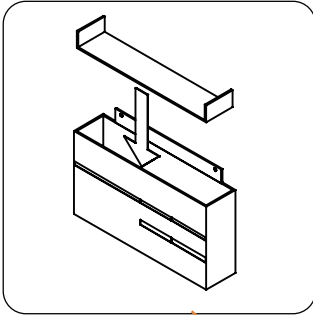
Install part C into the position you want according to the diagram.



Assembly Instructions

8-L

Use screws ① and nuts ④ to install the bag.



0		①		④		⑤		⑦	
x1		x2		x2		x1		x1	

Customer Service



30-DAY Return Policy

If you're not completely satisfied with your purchase, simply return the merchandise via our official customer support. Unused merchandise can be refunded or exchanged within 30 days from the original purchase date.



1-Year Warranty

We guarantee your product is free from defects in product material and workmanship for one (1) year starting from the date of purchase during normal use of household conditions. If your appliance fails to operate properly within our warranty period, we will arrange a new one. Replacement is free and all shipping costs are covered.



Quick Response within 24 Hours

If you are still unable to resolve the issue you are experiencing, please contact us immediately via our support email. It doesn't matter if the product has been installed or not, our customer support team will respond within 24 hours and assist you quickly and efficiently. The most efficient way to confirm your problem to us is to attach a video, which illustrates your product issues.

Problems You May Encounter

PART	PROBLEM	SOLUTION
Whole Product	Parts are missing, defective or having wrong parts in package.	You can contact us and we will get back to you within 24 hours. Or, you can reach us via after-sales email.
	Having issue(s) while reading the instruction or completing the assembly.	You can contact us and we will get back to you within 24 hours. Or, you can reach us via after-sales email.
	Encountering non-human caused damage during usage.	If the product is damaged due to non-human causes, please keep the product and send us photos of it. We will ascertain the cause of the product damage within 48 hours and provide you with a satisfactory solution.
Table Surface	Board Surface is broken, scratched or lack of somescrew holes.	You can contact us and we will get back to you within 24 hours. Or, you can reach us via after-sales email.
	The screw holes that on the board and the steel frame don't line up.	1. Please tighten the screws on the board by 70%, do not tighten completely. 2. Adjusting board and steel frame until the screw holes are lined up, then tighten all the screws.
	The desk board is uneven or not tight that has gaps after being assembled.	1. Loosen the screws in the uneven or gap positions; adjust until the desktops are flat and tight, and then tighten the screws. 2. If your problem still can't be solved, please feel free to contact us.
Steel Frame	The steel frame is bent, broken, painted, rusted or damaged.	You can contact us and we will get back to you within 24 hours. Or, you can reach us via after-sales email.
	The table is unstable after being assembled.	1. Check if the screws are tightened. 2. Read throughout the manual, check are there any parts installed incorrectly or missing assembled. 3. If your problem still can't be solved, please feel free to contact us.
	Encountering non-human caused damage during usage.	If the product is damaged due to non-human causes, please keep the product and send us photos of it. We will ascertain the cause of the product damage within 48 hours and provide you with a satisfactory solution.

We are committed to providing our customers with premium quality products and convenient customer service.

MADE IN CHINA