

CHANGING TABLE



ALL DIAGRAMS ARE FOR ILLUSTRATION ONLY

ASSEMBLY INSTRUCTIONS

Read all instructions before assembling.
Save instructions for future use.

Carefully remove and lay out all parts.

Familiarize yourself with all diagrams to facilitate the assembly of your product

Check parts and the enclosed hardware bag with the hardware parts list to be sure all are included and quantities are correct.

Destroy cardboard and plastic bags immediately. For this changing table, the maximum weight of the child is 30lbs, any child over 30lbs, pls don't use.

Attention: In order to properly assemble the changing table, follow the assembly instructions carefully .

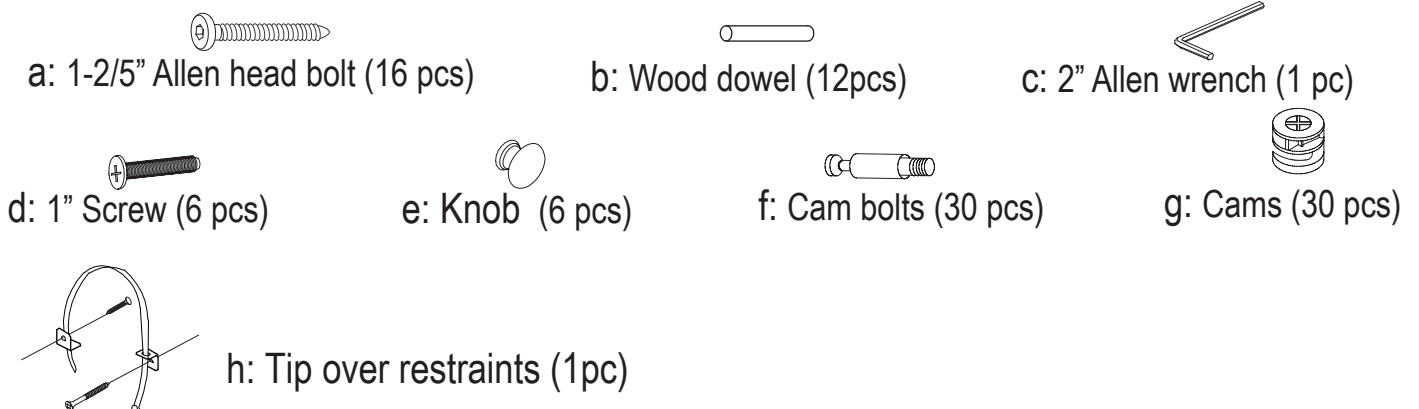
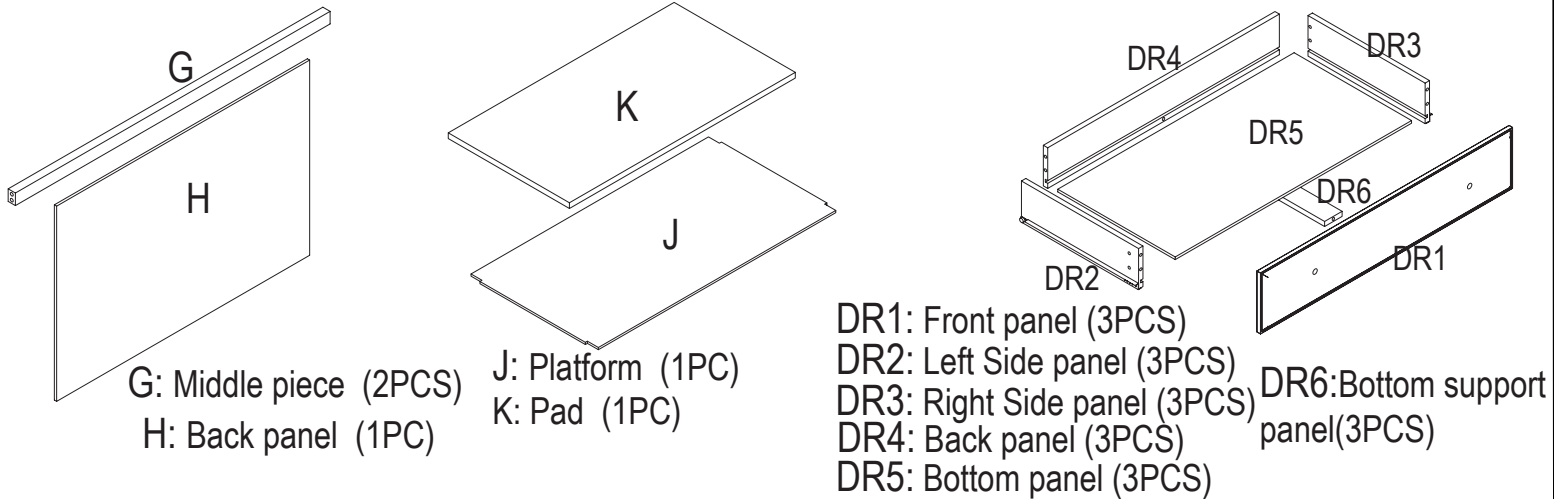
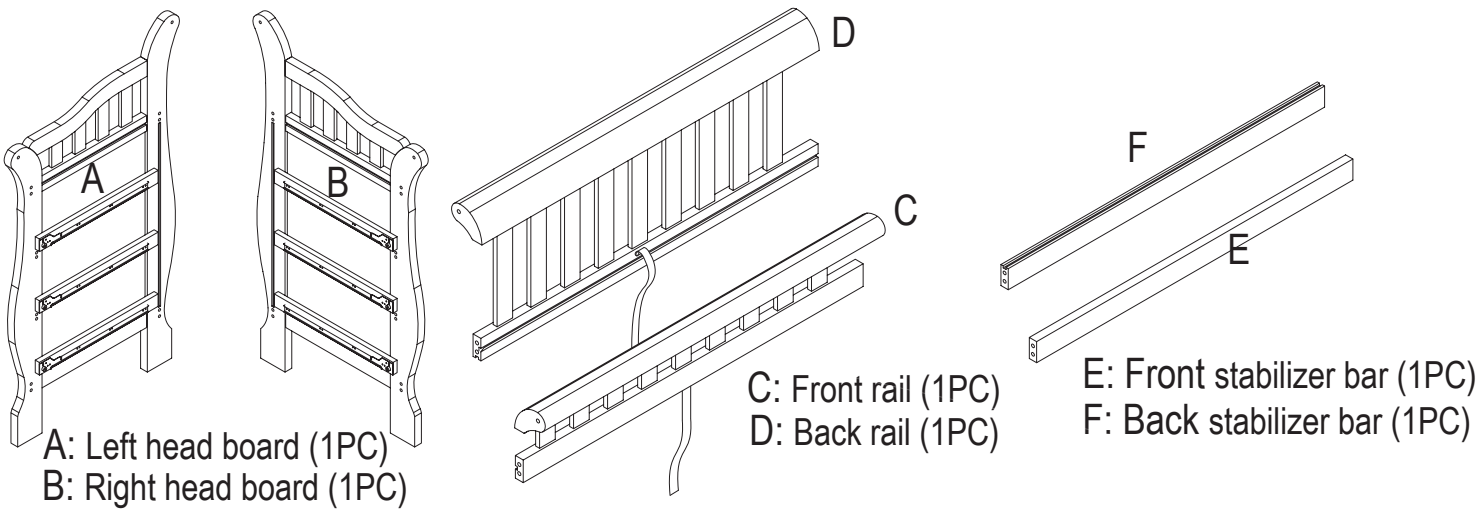
Failure to assemble in the manner recommended could make the changing table hazardous.

Warning: Never use this product if there are any loose or missing fasteners, loose joints, broken parts, or torn mesh/fabric. check before assembly and periodically during use.

! WARNING

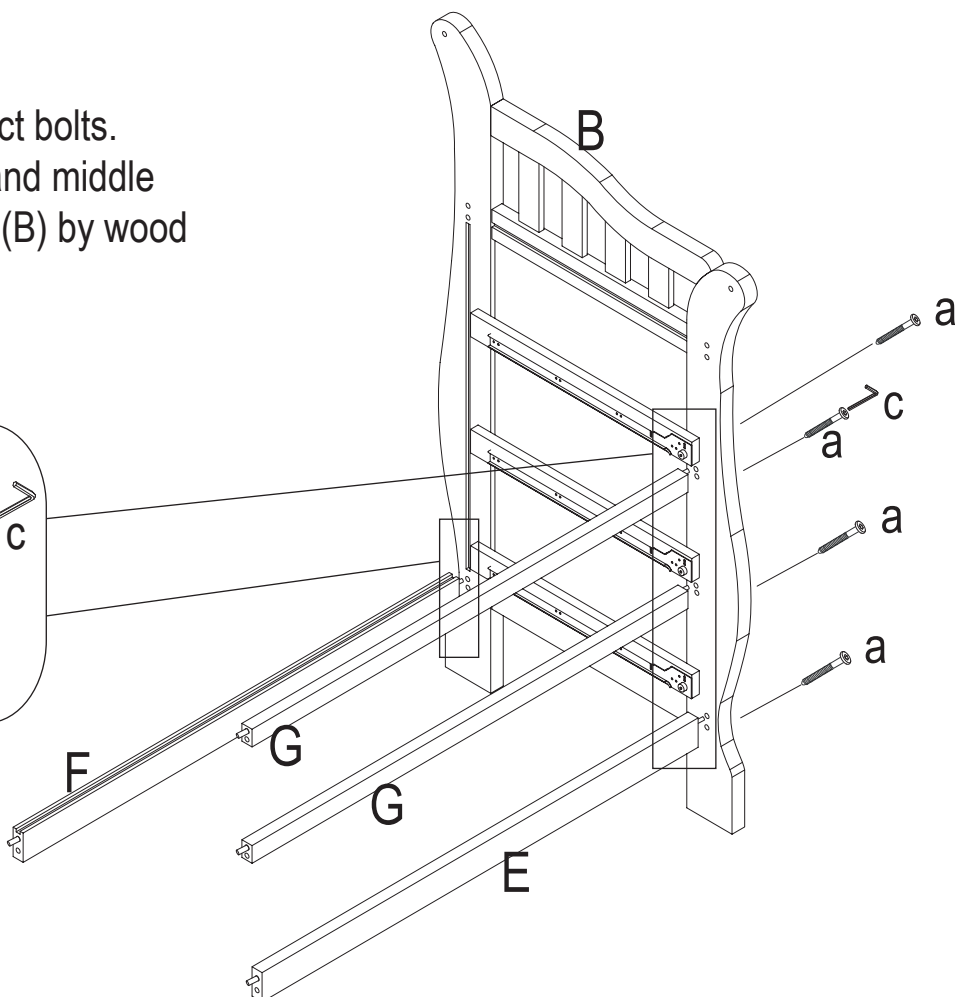
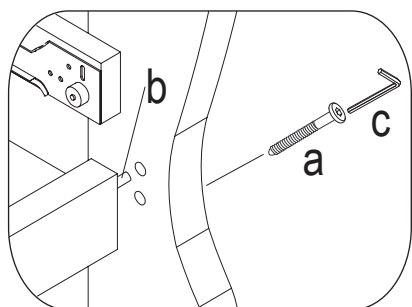
Read all instructions before assembling . KEEP INSTRUCTIONS FOR FUTURE USE. Use only the pad provided by manufacture. DO NOT use the changing table if it is damaged or broken. Never leave your child unattended in this changing table. To insure the safety of your child, the restraint system must be used. Check regularly to see that all bolts are tight. Clean by wiping with damp clean cloth. DO NOT use abrasives.

FALL HAZARD-To prevent death or serious injury, always keep child within arm's reach. Always secure this pad to the changing surface by inserting safty restraint system across child's waist. SEE INSTRUCTIONS.



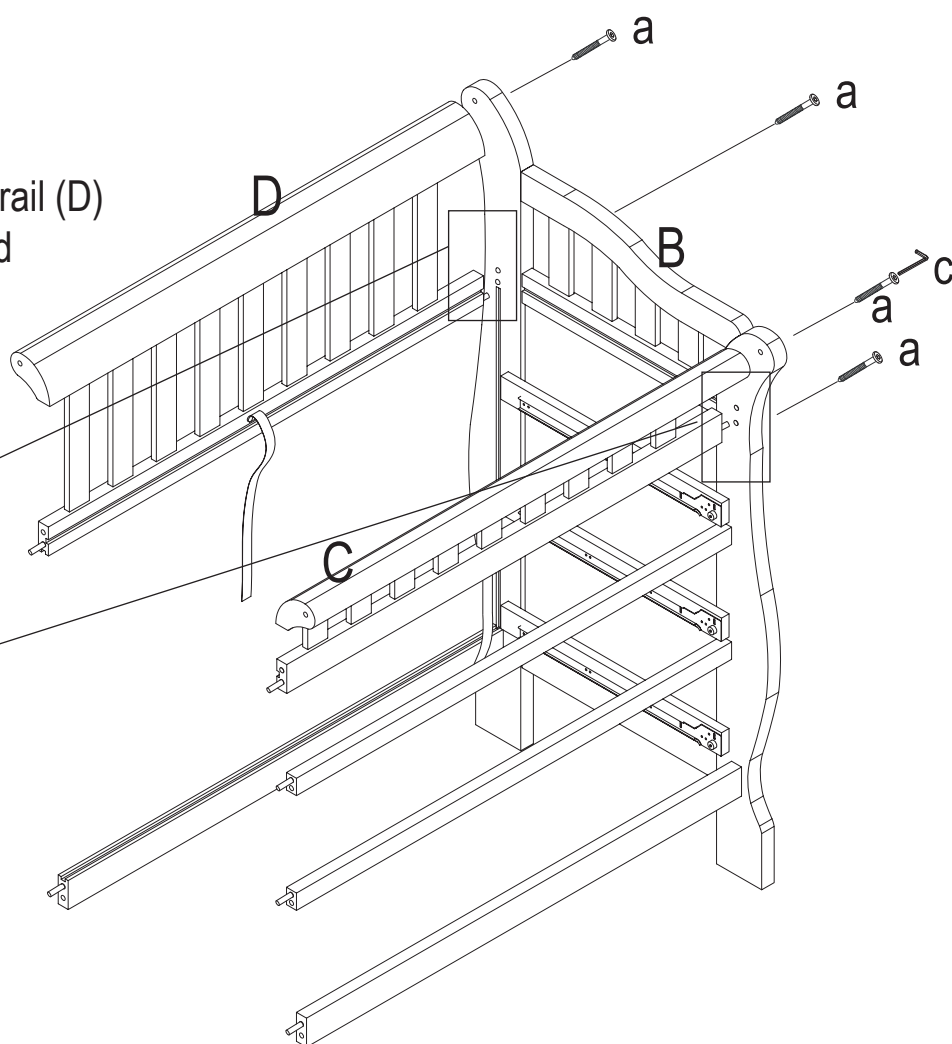
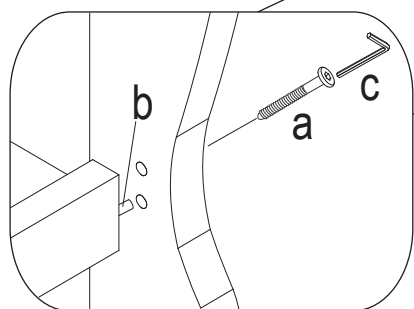
STEP 1

Use allen wrench (c) to connect bolts. Connect stabilizer bar (E&F) and middle piece (G) to right head board (B) by wood dowels (b) and bolts (a).



STEP 2

Connect front rail (C) and back rail (D) to right head board (B) by wood dowels (b) and bolts (a).

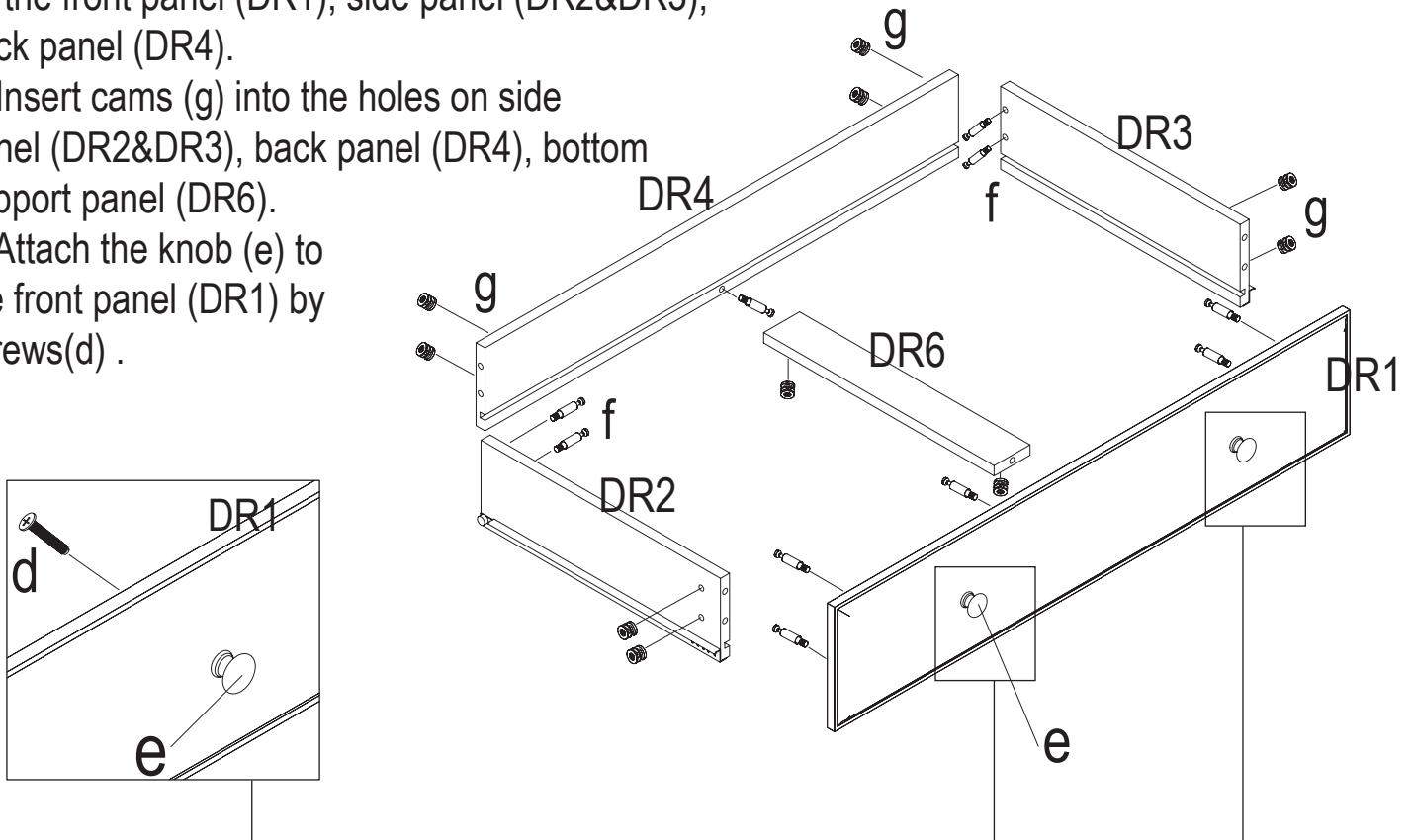


STEP 5

1: Thread cam bolts (f) into the pre-drilled holes on the front panel (DR1), side panel (DR2&DR3), back panel (DR4).

2: Insert cams (g) into the holes on side panel (DR2&DR3), back panel (DR4), bottom support panel (DR6).

3: Attach the knob (e) to the front panel (DR1) by screws(d) .



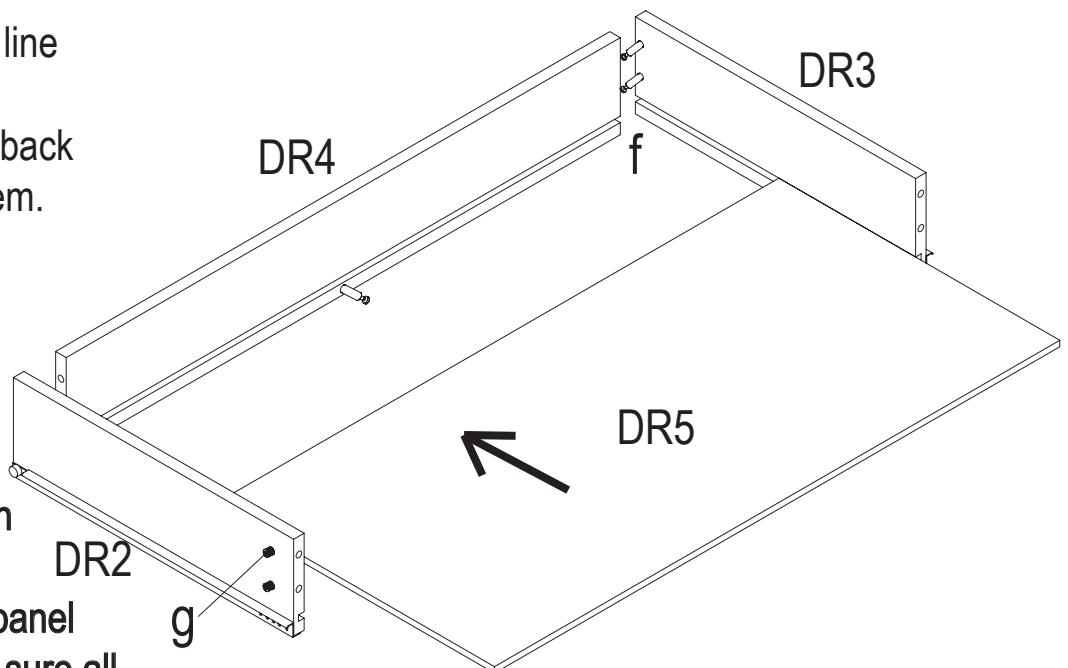
STEP 6

1: Attach side panel (DR2&DR3) to the back panel (DR4) by inserting the cam bolts (f) to the end holes of back panel (DR4).

MAKE SURE the grooves line up and face inside.

LOCK the cams (g) in the back panel (DR4) by turning them.

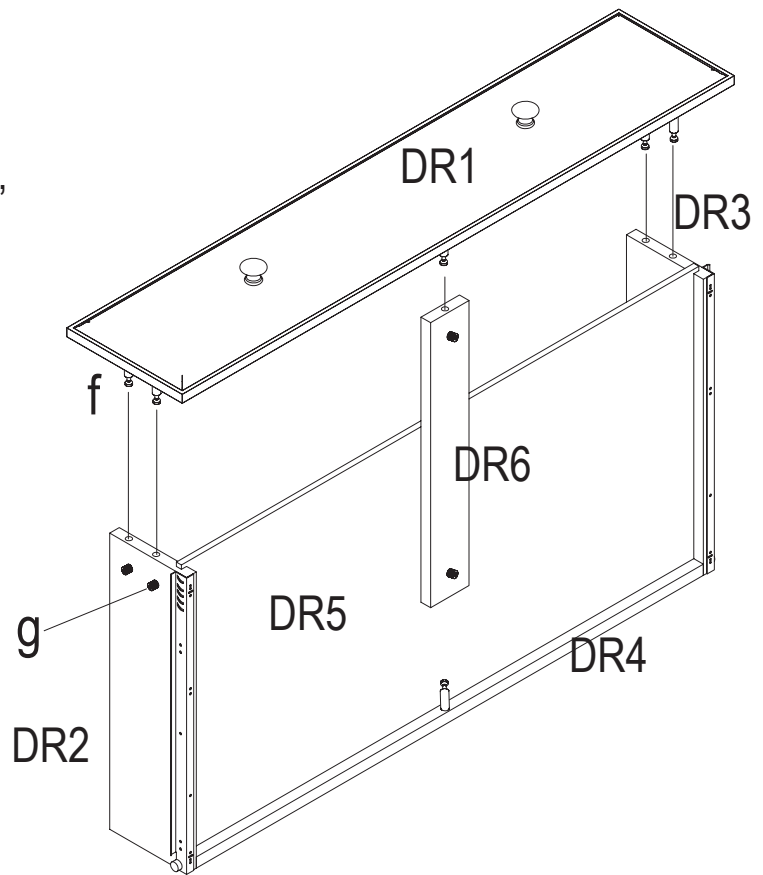
2: Slide the bottom panel (DR5) painted side up, into grooves of side panel (DR2&DR3).



NOTE:the bottom panel with WARNING should be in the same drawer with the side panel with care warning, pls make sure all the WARNING can be seen after assembling

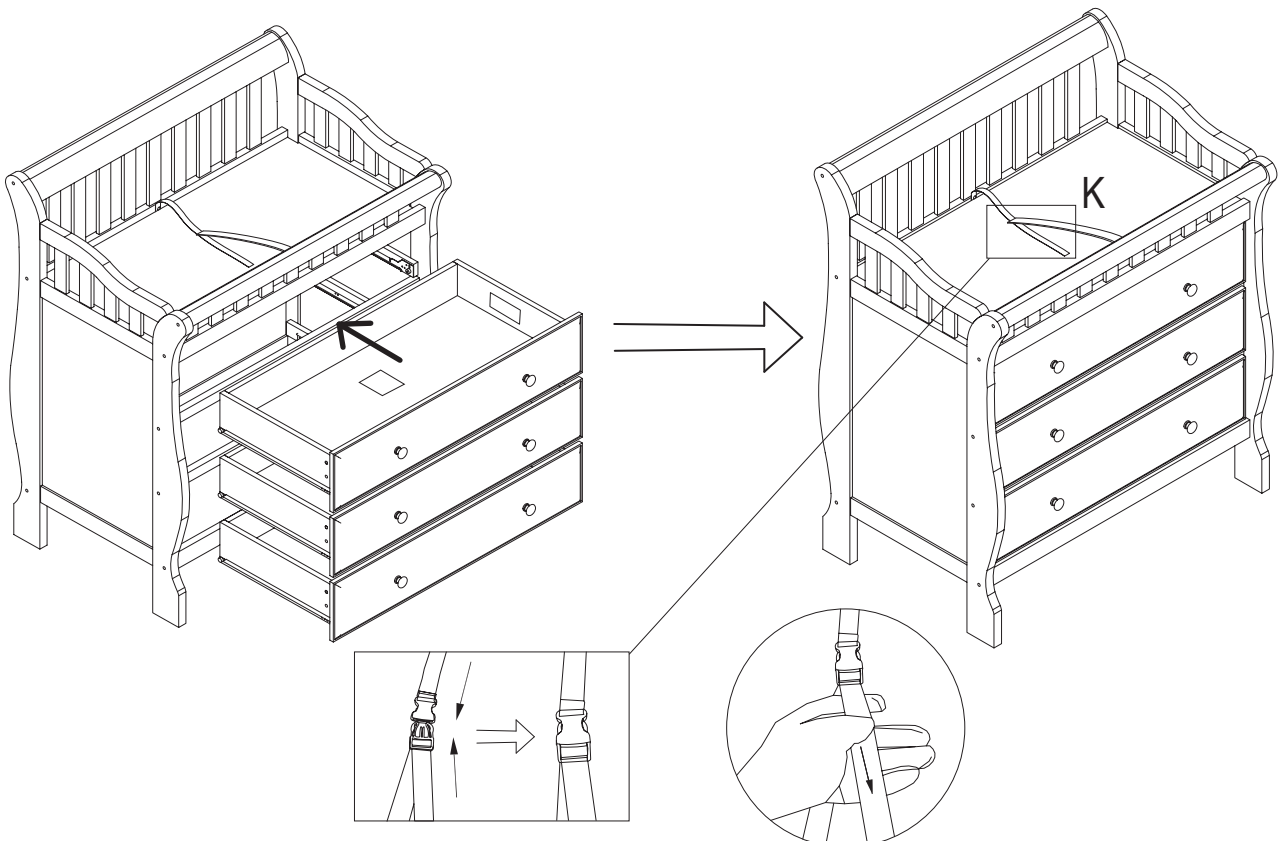
STEP 7

- 1: Attach the bottom support panel (DR6) to the back panel (DR4), front panel (DR1).
- 2: Attach the front panel (DR1) to side panel (DR2&DR3).
- 3: LOCK the cams (g) in the bottom support panel (DR6) and side panel (DR2&DR3) by turning them.
- 4: Assemble the rest two drawers follow step 5,6,7.

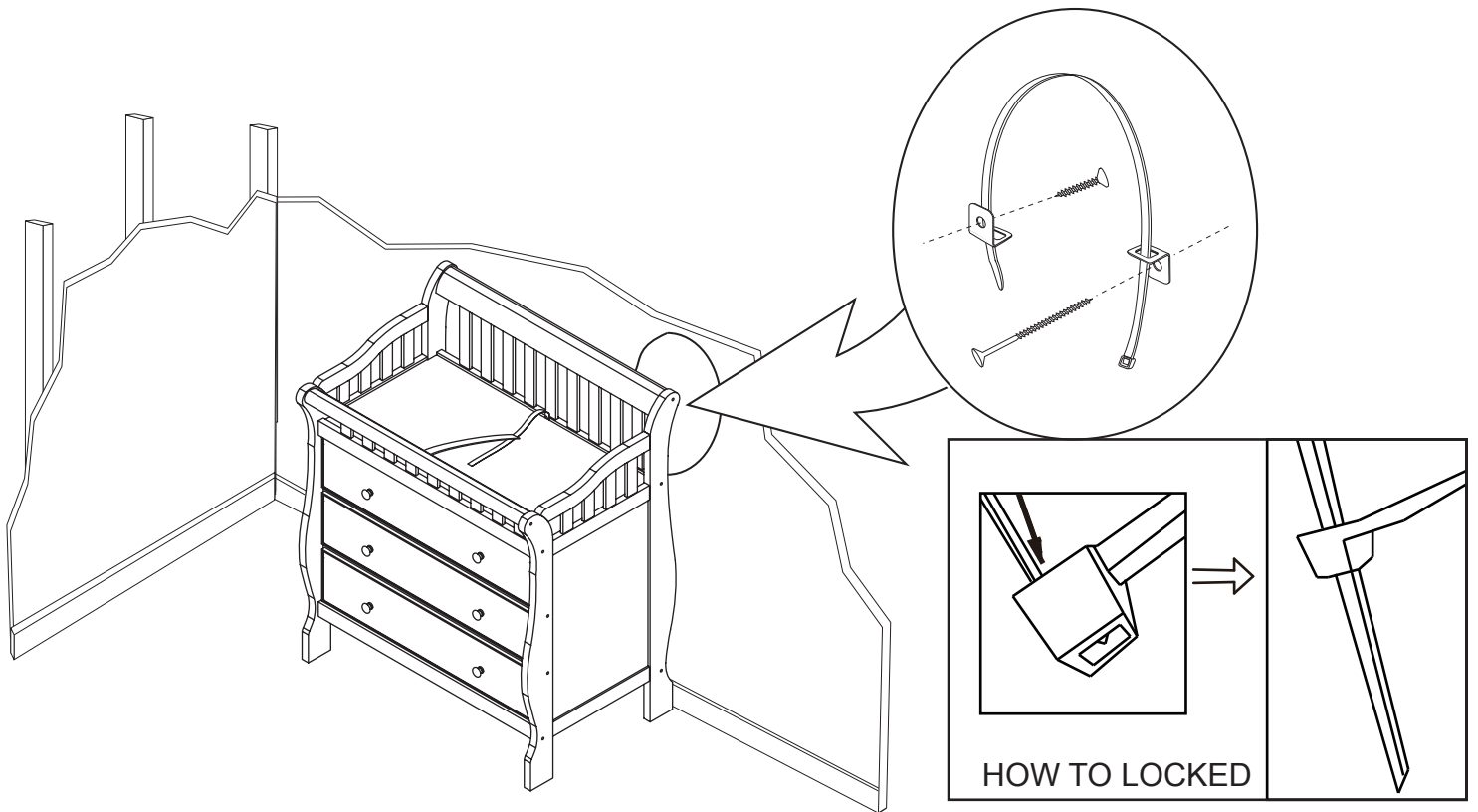


STEP 8

- 1: Slide the drawers into rails on head board (A&B).
- NOTE :PLEASE PUT THE DRAWER WITH CLEAN STICKER AS THE FIRST ONE.
- 2: Add the pad (K).
 - 3: Put the child on the pad, then insert safety restraint system of the tape across child's waist. The tightness can be adjusted by increasing the tension of the tape.



FURNITURE TIPPING DETERRENT HARDWARE



Tipping furniture may injure young children . Use of this tipping restraint hardware is highly recommended .

This hardware , when properly installed , could provide protection against the unexpected tipping of furniture due to improper use .

⚠ WARNING :This hardware is only a deterrent . Adult supervision is the only proper deterrent to prevent improper use of the units .

- 1.Attach one of the mounting brackets securely to the back top edge of the furniture using the short screw .
- 2.Find the stud in the wall and mark the location on the wall for mounting the second bracket , with a 2” wood screw , approximately 2” below the bracket mounted to the edge of the furniture .
- 3.If a stud cannot be found , purchase a “Hollow-Wall Anchor Bolt” and attach the second bracket to the wall using that bolt . Make sure to follow all instructions by the manufacturer .
- 4.Place the furniture so the bracket on the back edge is in line with the bracket on the wall .
- 5.Lace an end of the nylon restraint strap down through each bracket . Bring both ends together and slide the beaded end of the strap through the key hole shaped slot in the other end unit snug . Pull down on the beaded end until it snap locks into the keyhole .
- 6.Check to make sure the strap is securely laced and locked to the brackets .