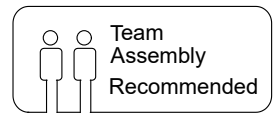
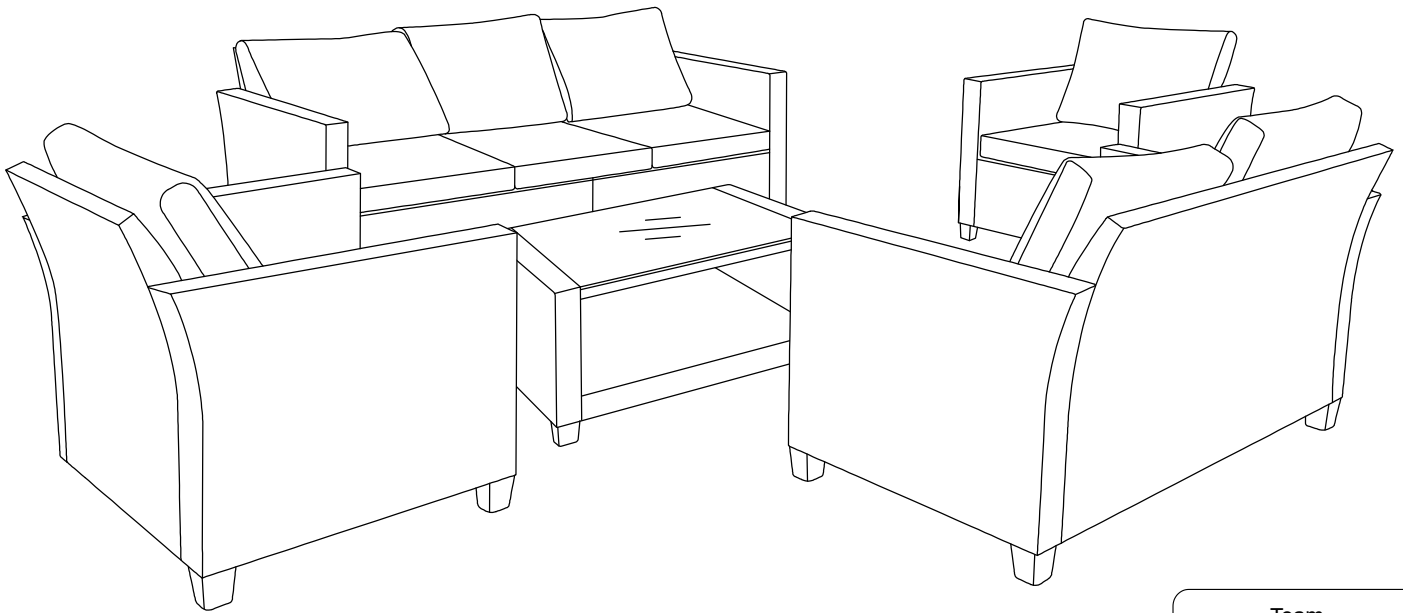


5pcs Sofa Set With Coffee Table Assembly Instruction



Trouble shooting:

Missing / Wrong / Broken parts and installation issues



Send email with your question, pic and order NO

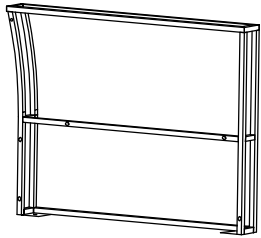


Respond within 24 hours

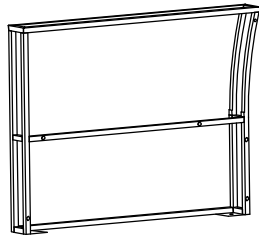


Issue resolved

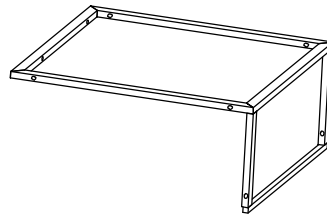
Componets



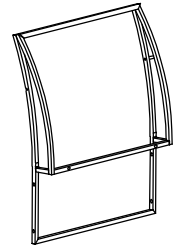
A x4
(Left armrest)



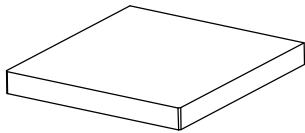
B x4
(Right armrest)



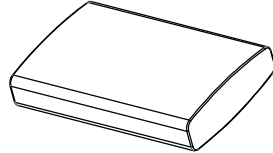
C x2
(Single seat frame)



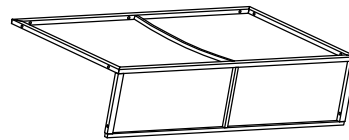
D x2
(Single Back)



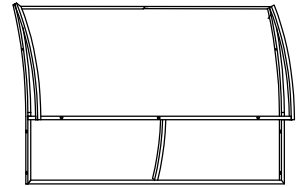
E x7
(Cushion)



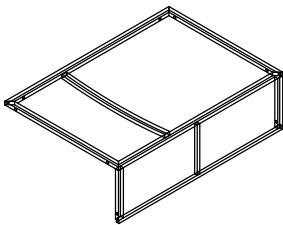
F x7
(Backing)



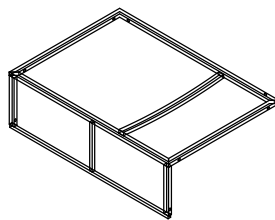
G x1
(Two person seat frame)



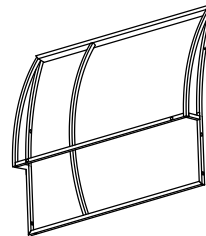
H x1
(Two person Back)



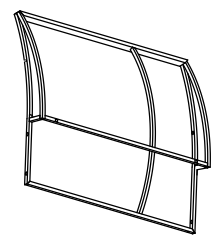
I x1
(Left seat frame)



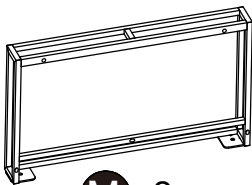
J x1
(Right seat frame)



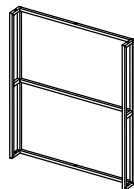
K x1
(Left Back)



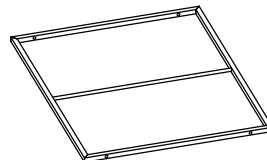
L x1
(Right Back)



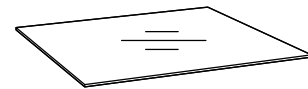
M x2
(Side Frame)



N x1
(Connecting piece)



O x1
(Upper-frame)



P x1
(Glass)

Note: Don't tighten all screws during installation.

Screws & Tools

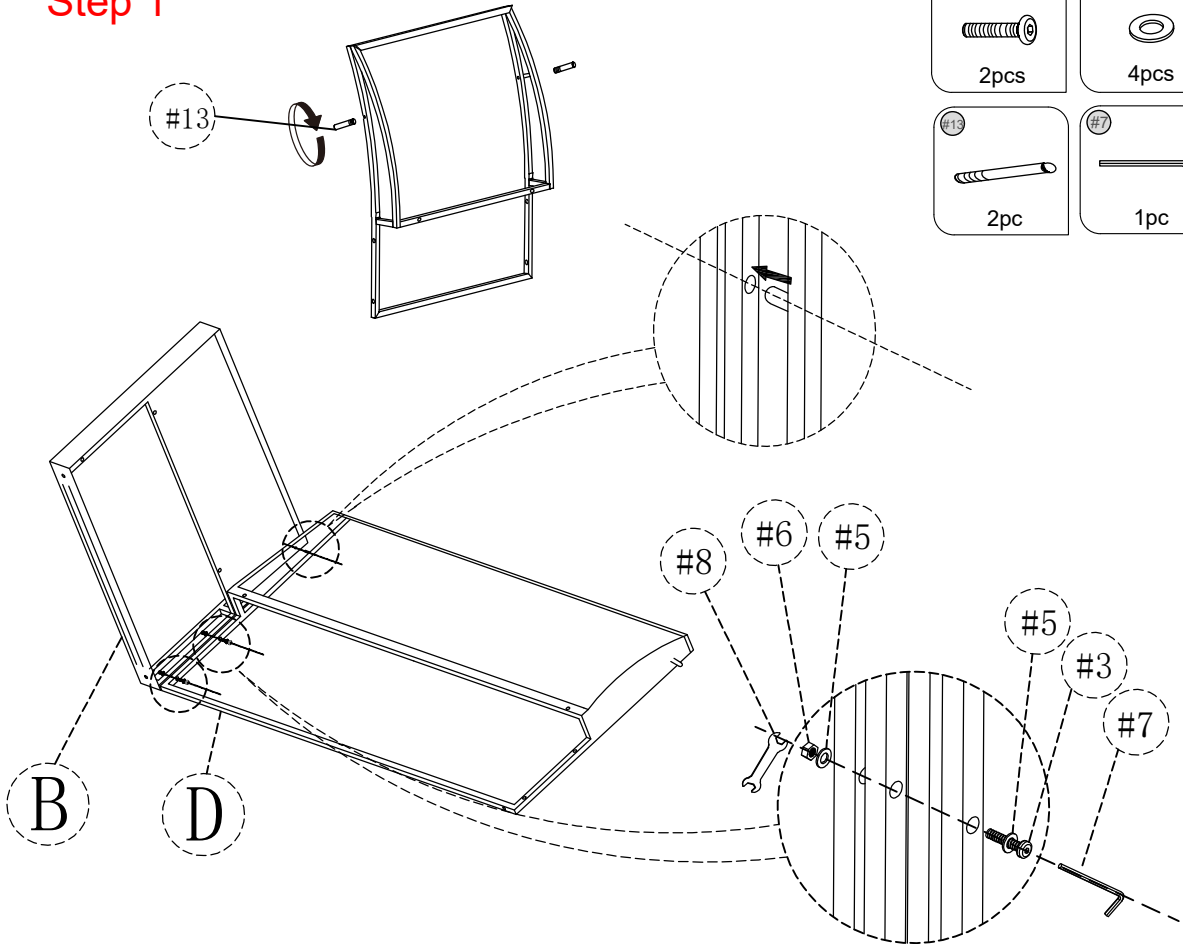
#1			x20
#2		M6*30mm	x4
#3		M6*45mm	x22
#4		M6*55mm	x35
#5		Washer	x132
#6		M6	x62

Check all the components & screws before assembly.

#7		Allen Key	x1
#8		Wrench(M6/M8)	x1
#9		M6*50mm	x2
#10		M6*20mm	x4
#11		M6*70mm	x3
#12			x2
#13			x8

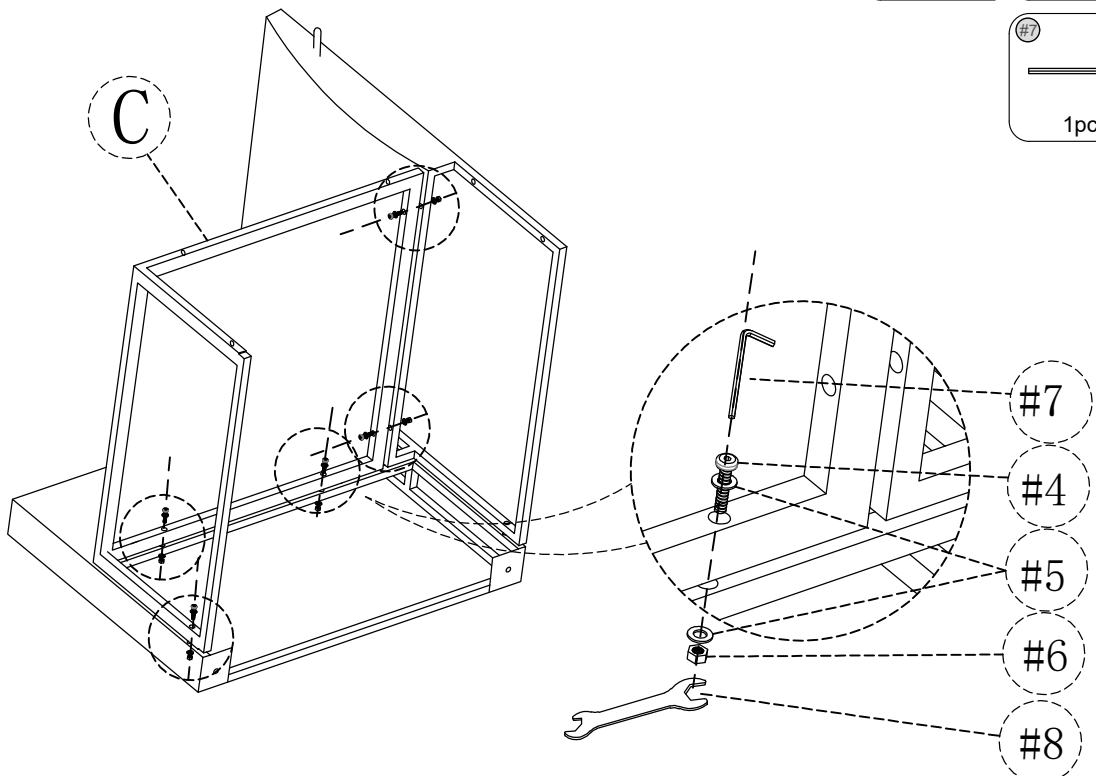
Step 1

#4 M6*45mm 2pcs	#5 Washer 4pcs	#6 M6 2pcs
#13 2pc	#7 1pc	#8 1pc



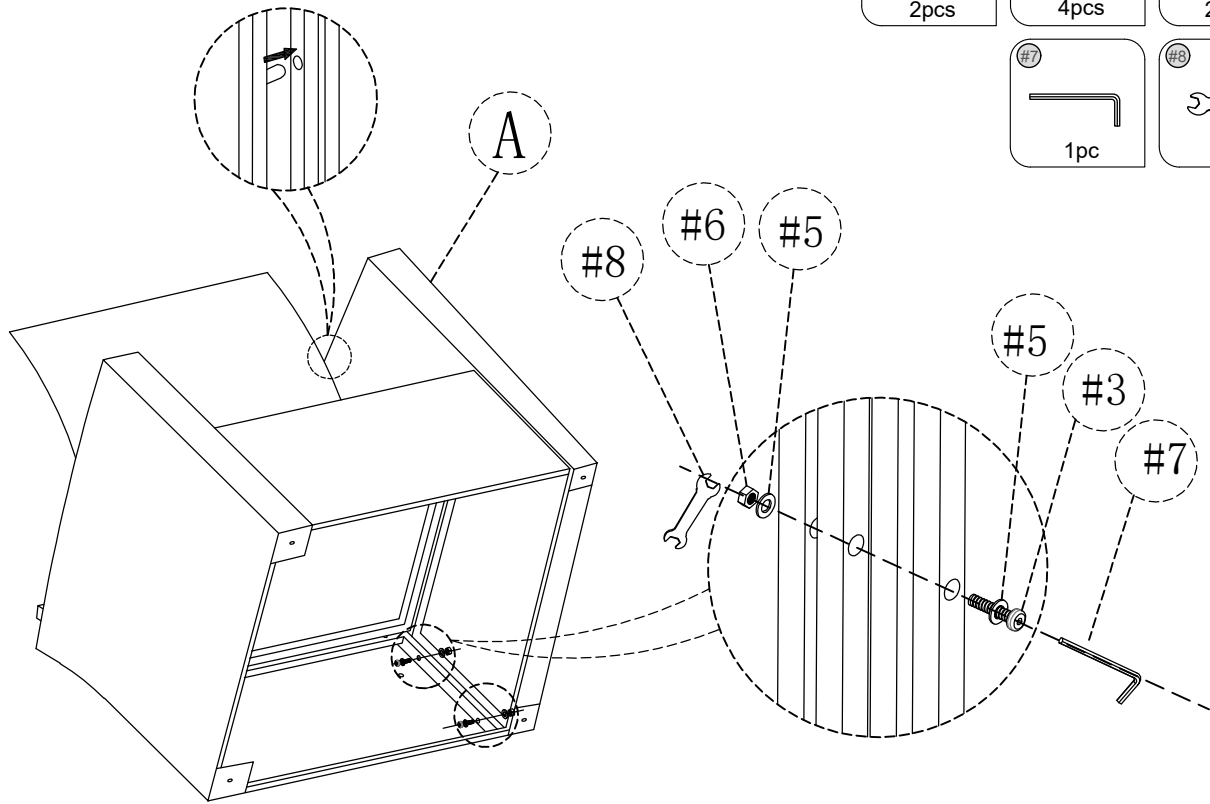
Step 2

#4 M6*55mm 5pcs	#5 Washer 10pcs	#6 M6 5pcs
#7 1pc	#8 1pc	



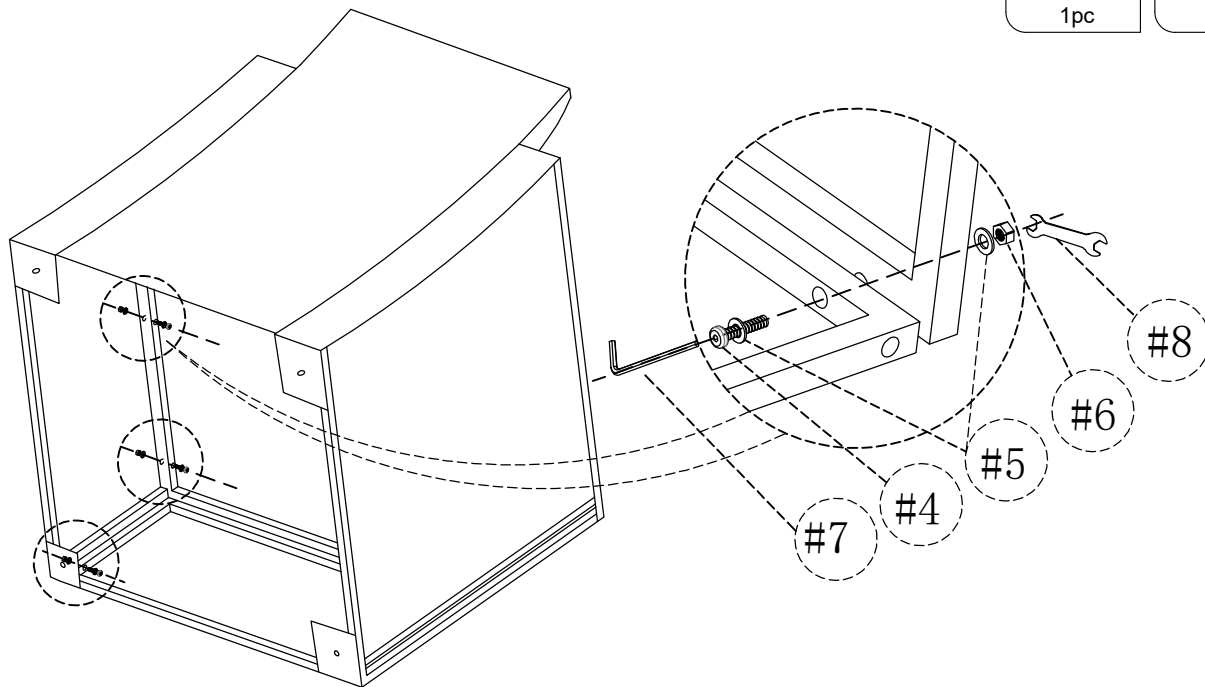
Step 3

#3 M6*45mm 2pcs	#5 Washer 4pcs	#6 M6 2pcs
#7 1pc	#8 1pc	

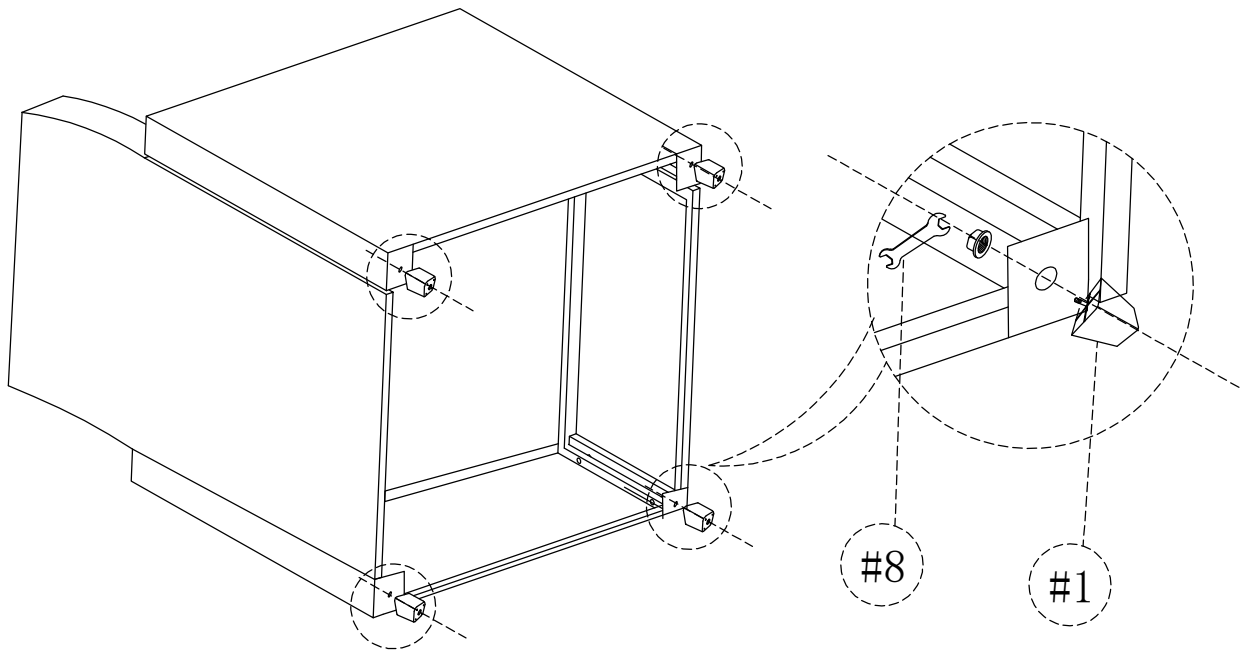
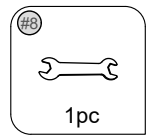
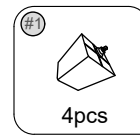


Step 4

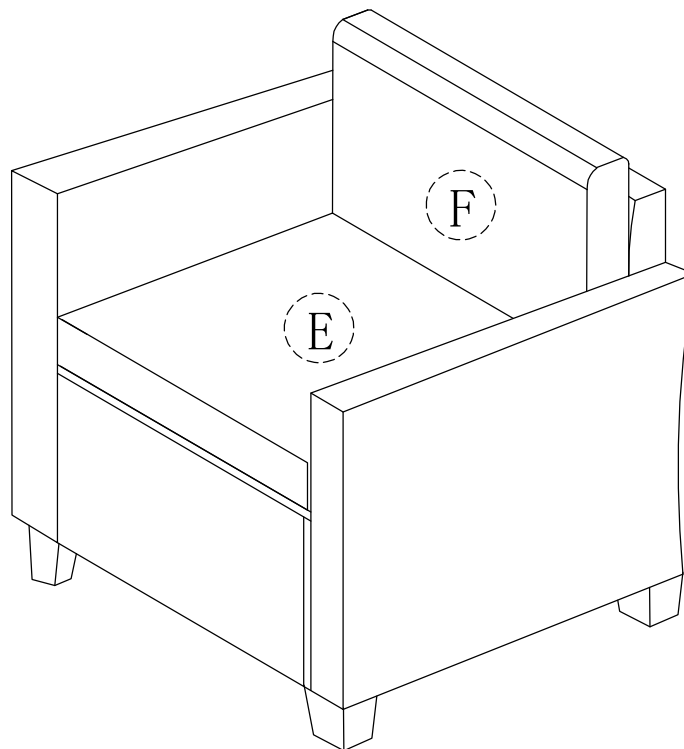
#4 M6*55mm 3pcs	#5 Washer 6pcs	#6 M6 3pcs
#7 1pc	#8 1pc	



Step 5

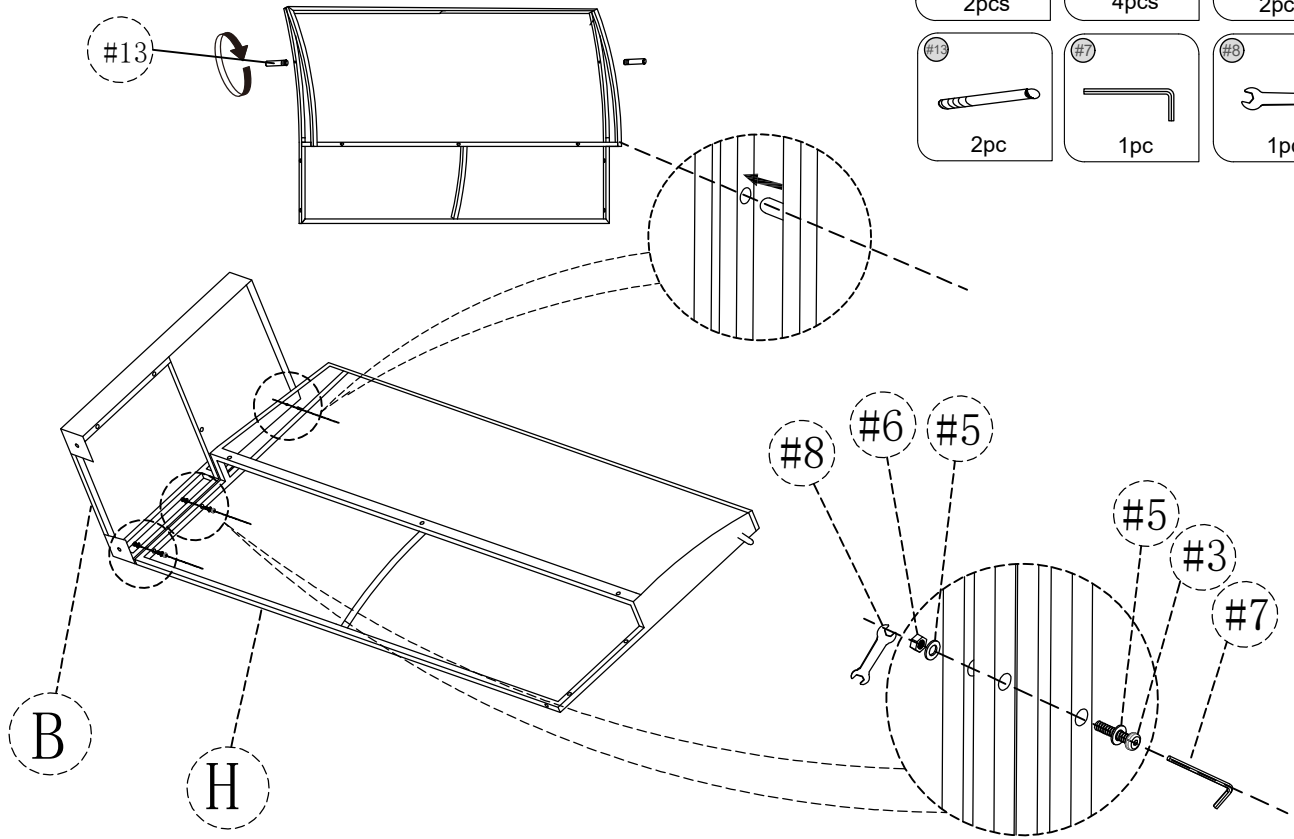


Step 6



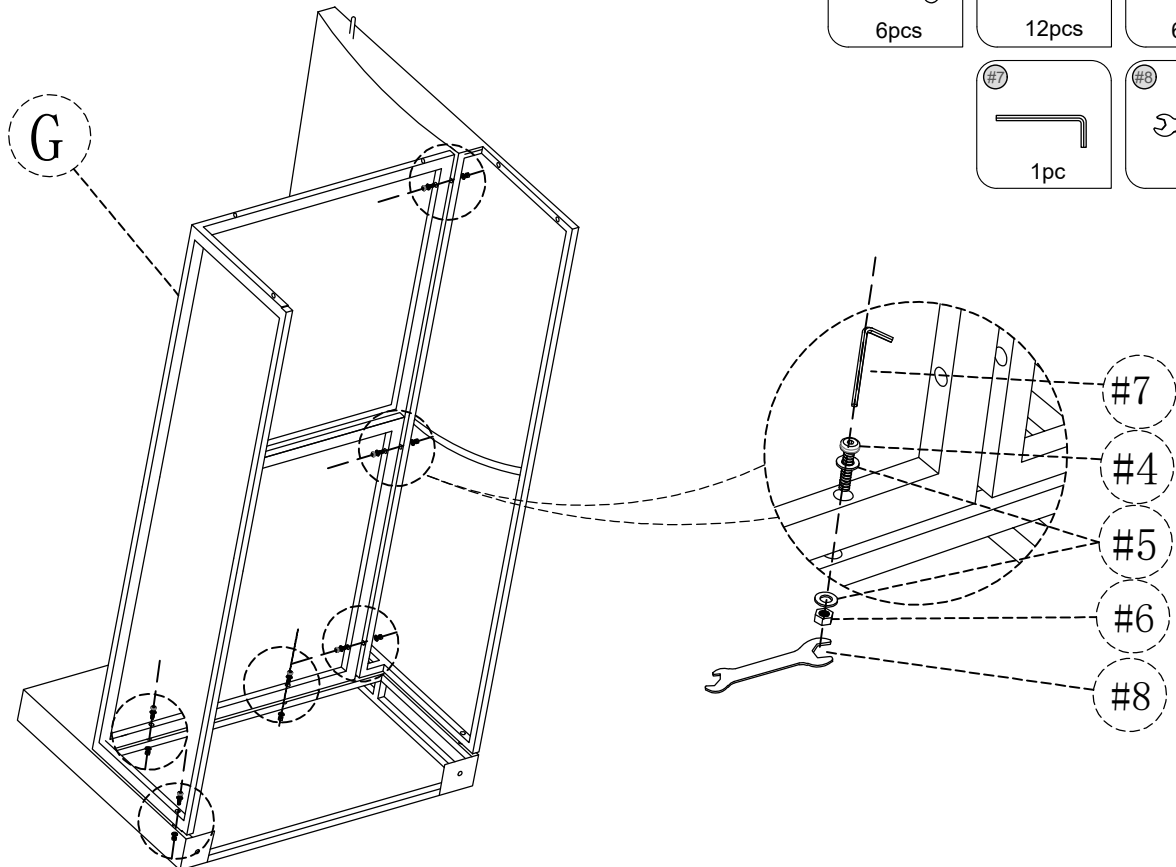
Step 7

#4 M6*45mm 2pcs	#5 Washer 4pcs	#6 M6 2pcs
#13 2pc	#7 1pc	#8 1pc



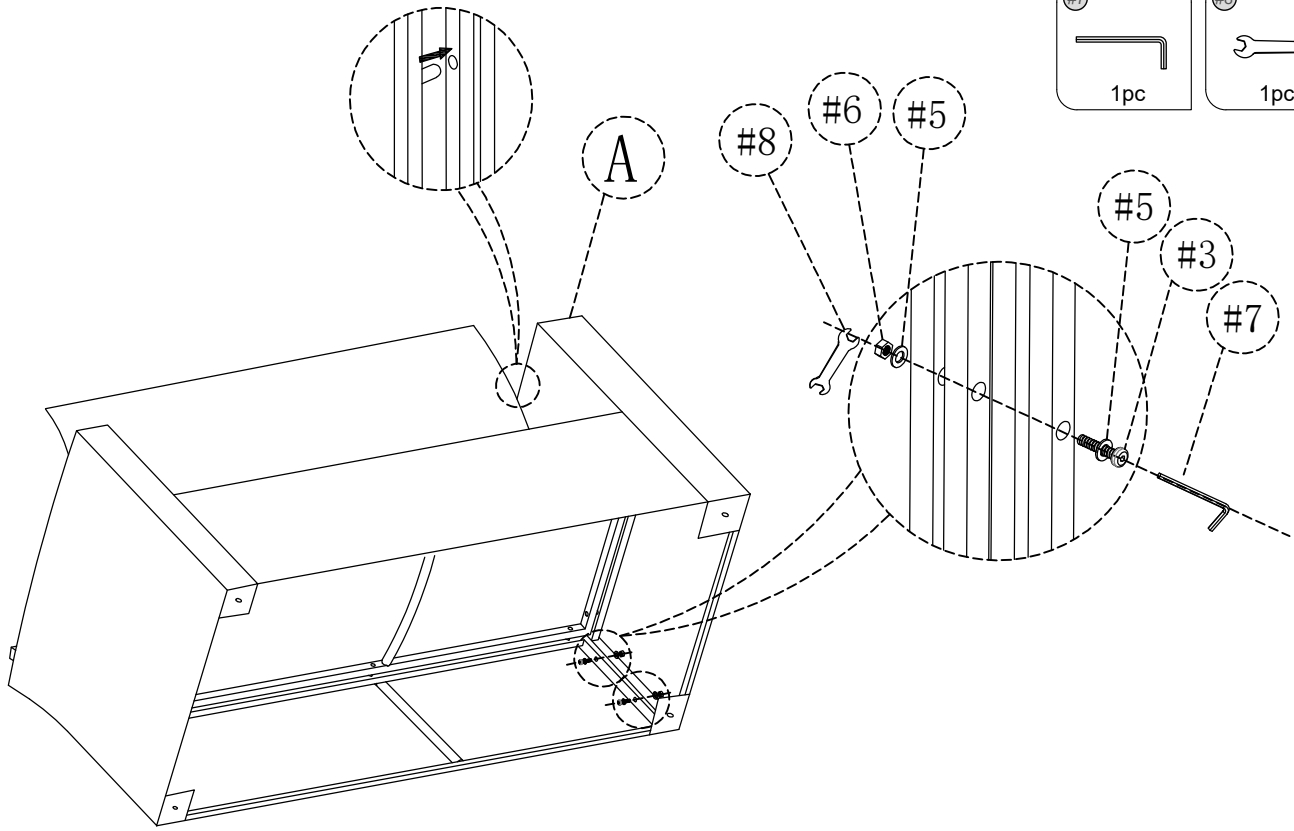
Step 8

#4 M6*55mm 6pcs	#5 Washer 12pcs	#6 M6 6pcs
#7 1pc	#8 1pc	



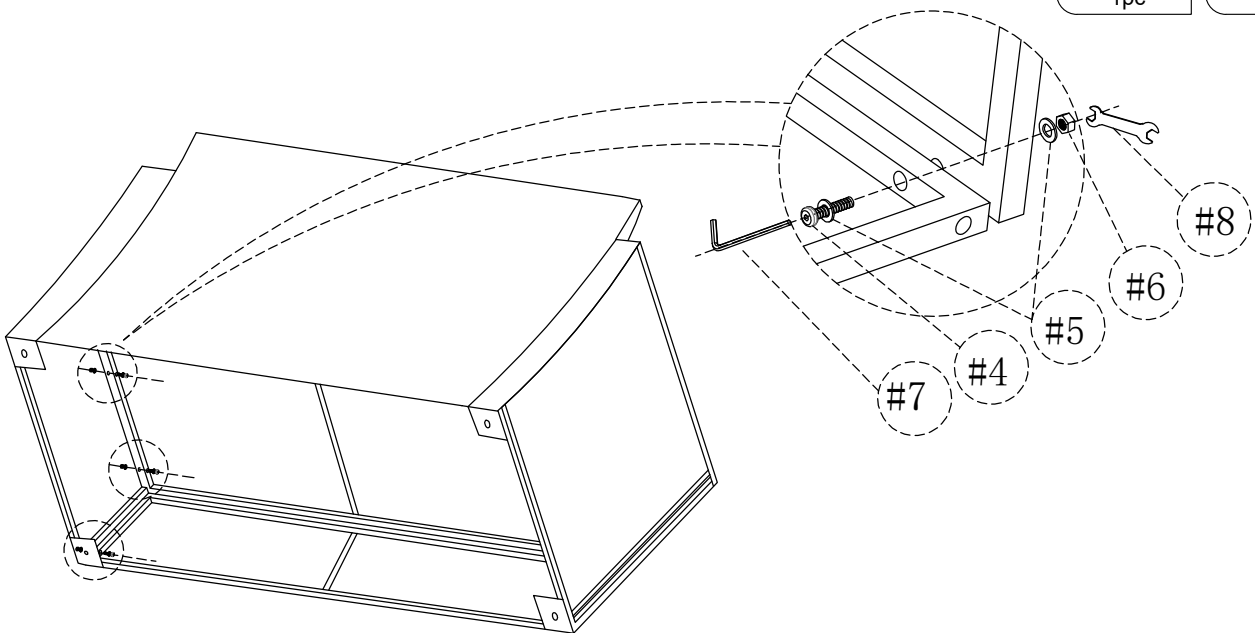
Step 9

#4 M6*45mm 2pcs	#5 Washer 4pcs	#6 M6 2pcs
#7 1pc	#8 1pc	

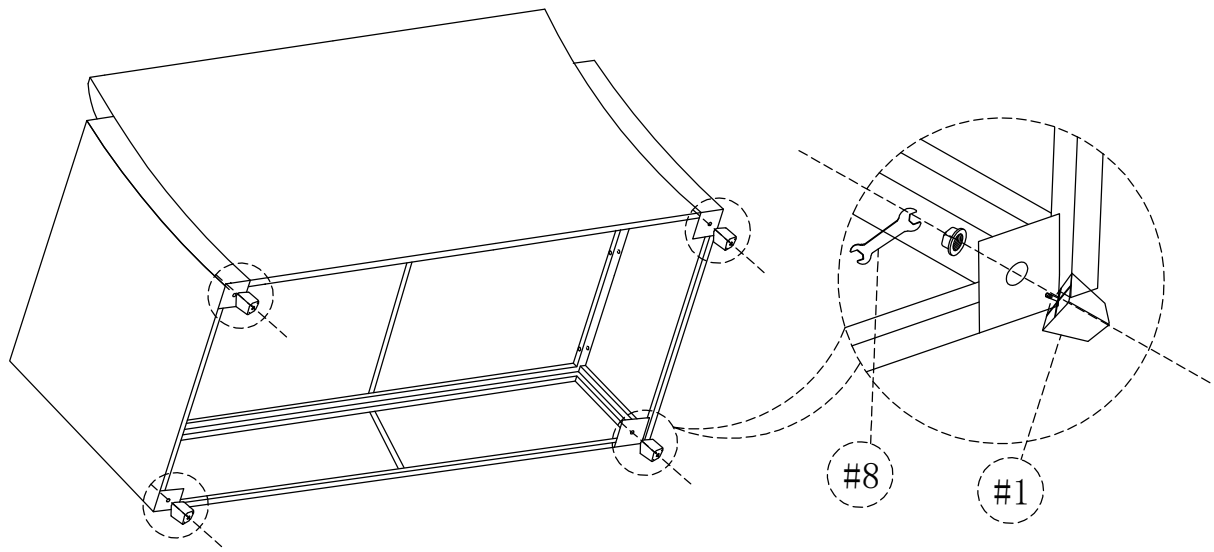
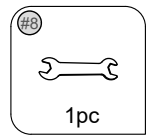
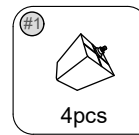


Step 10

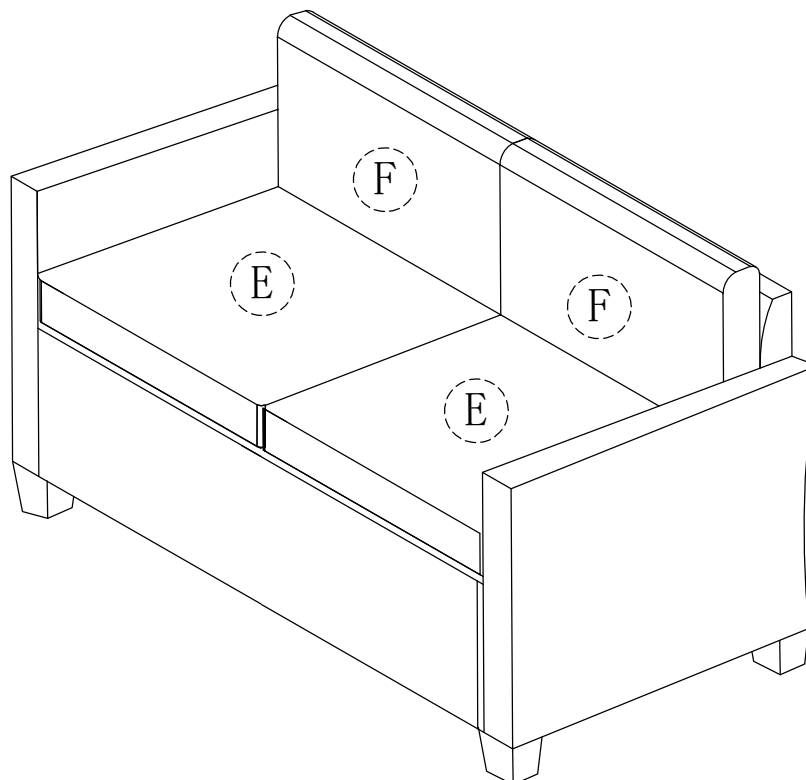
#4 M6*55mm 3pcs	#5 Washer 6pcs	#6 M6 3pcs
#7 1pc	#8 1pc	



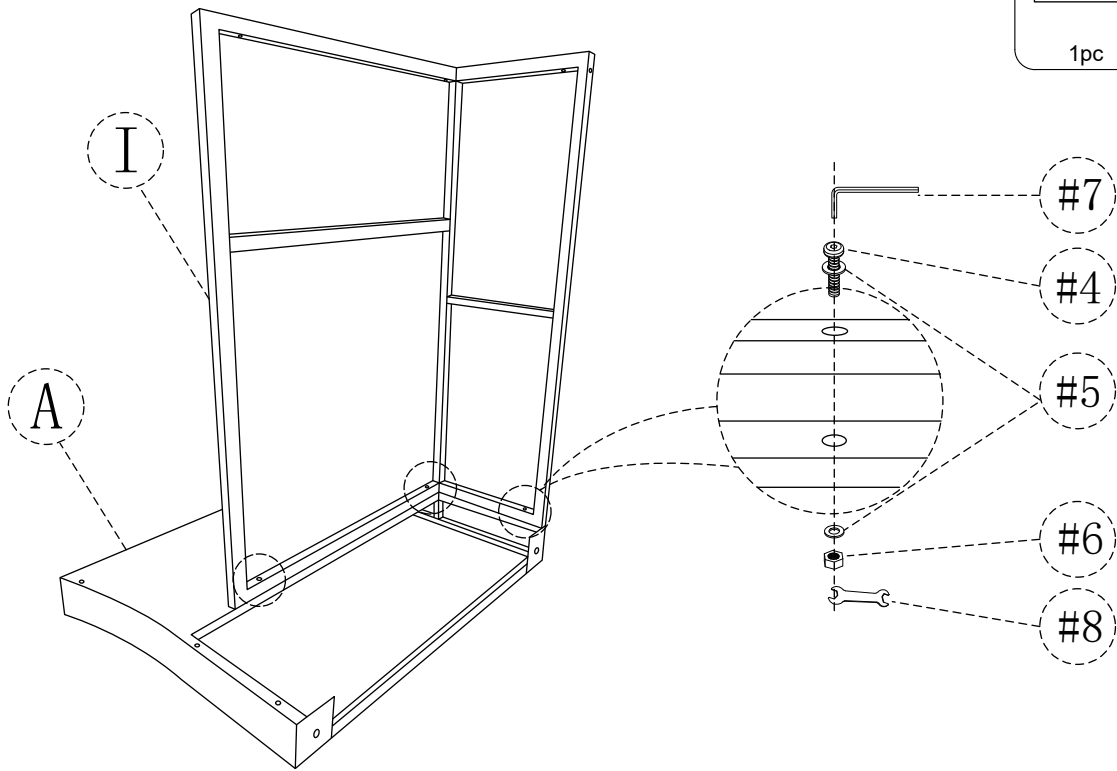
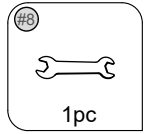
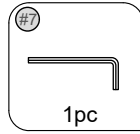
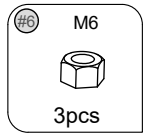
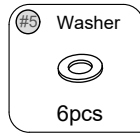
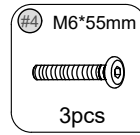
Step 11



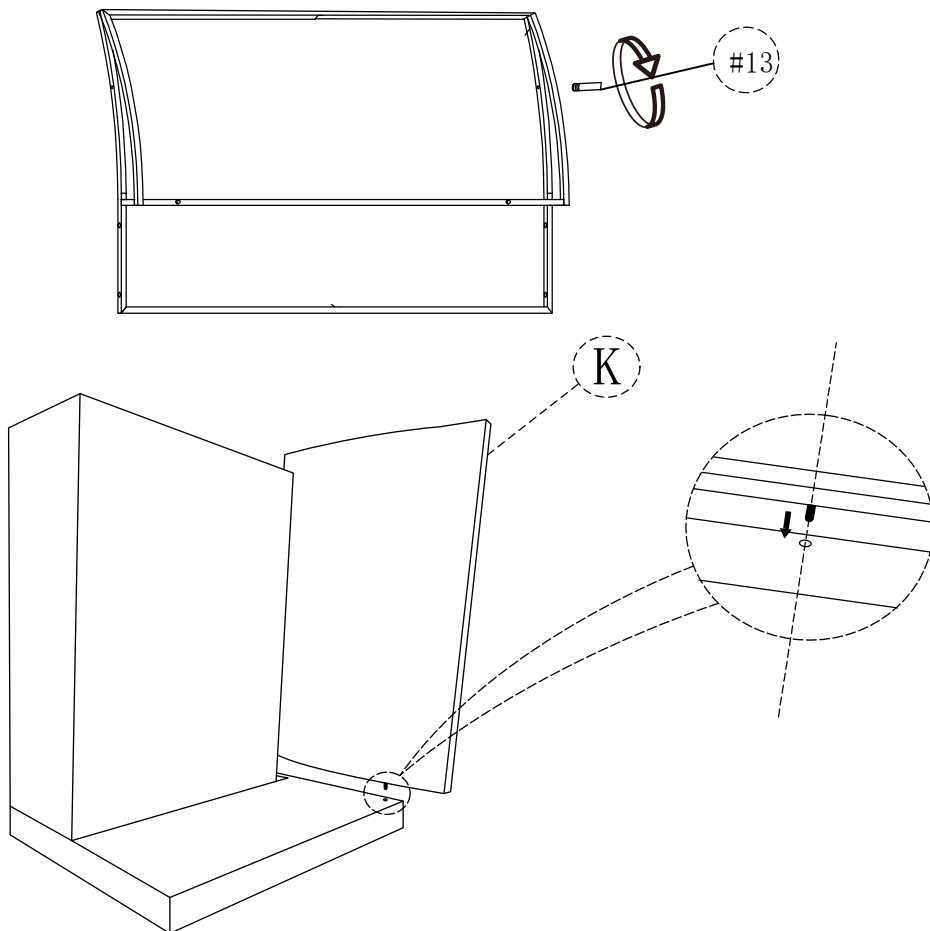
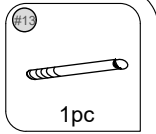
Step 12



Step 13

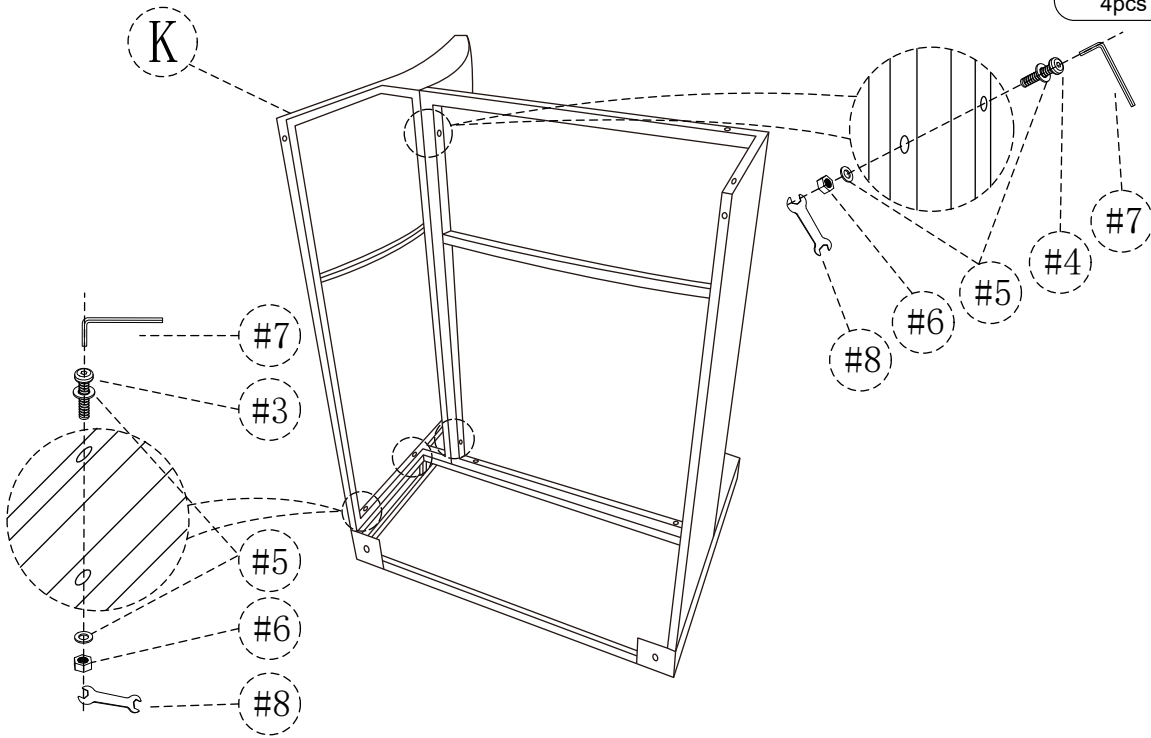


Step 14



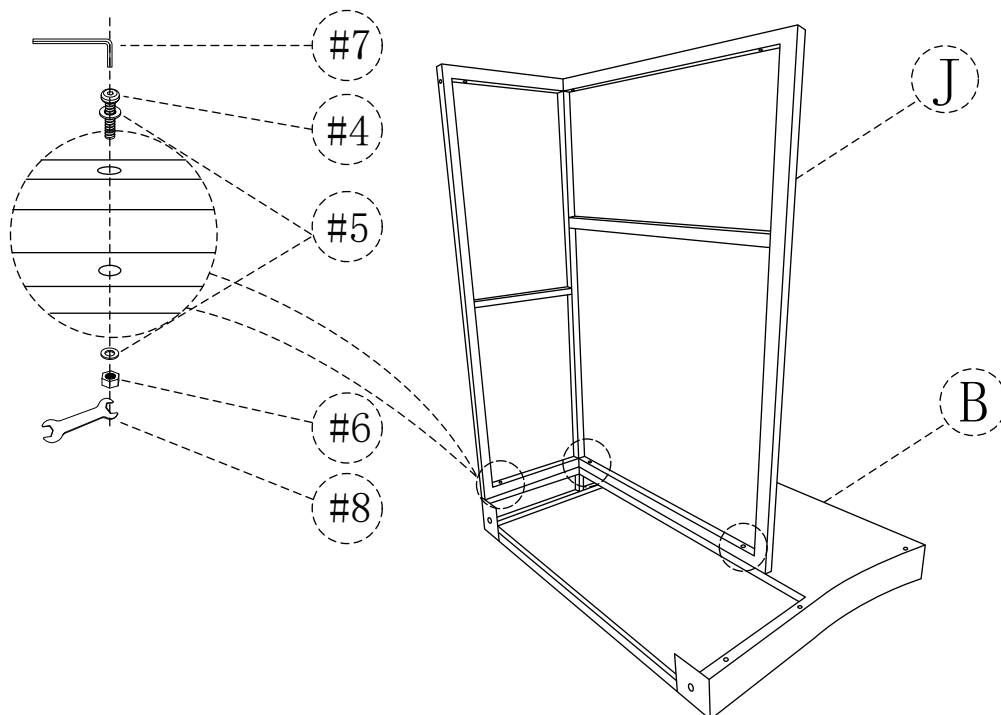
Step 15

- #3 M6*45mm 2pcs
- #4 M6*55mm 2pcs
- #5 Washer 8pcs
- #6 M6 4pcs
- #7 1pc
- #8 1pc

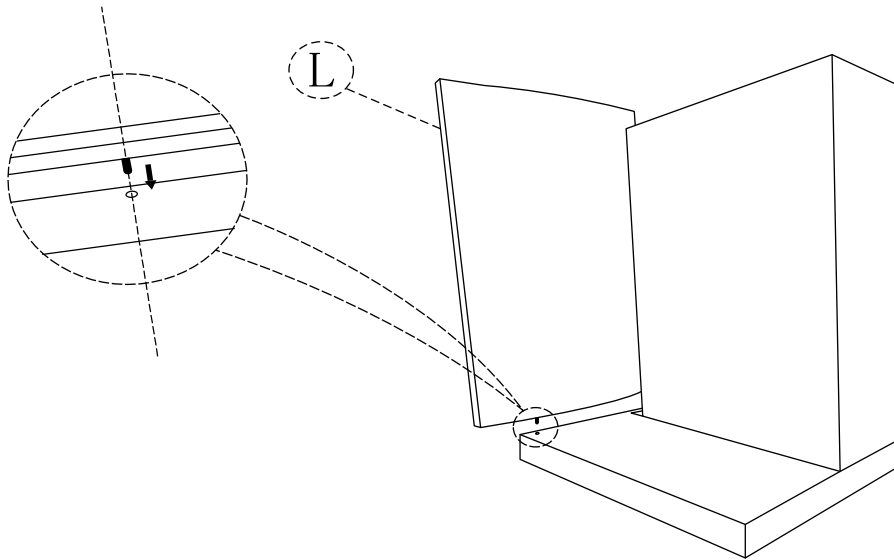
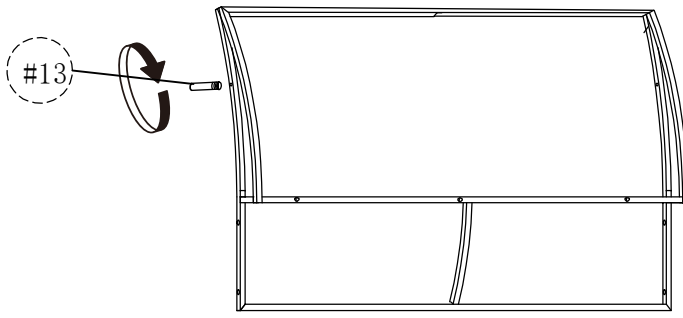
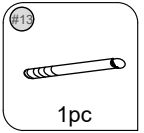


Step 16

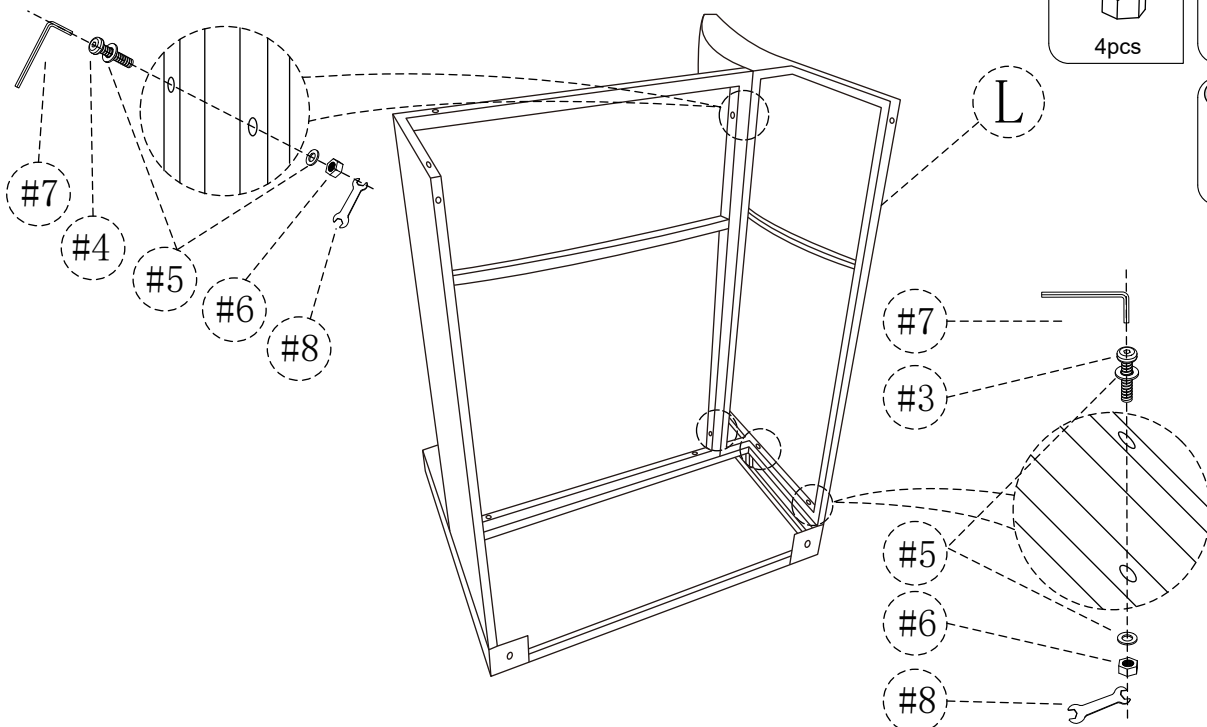
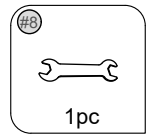
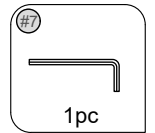
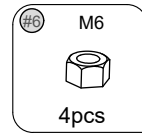
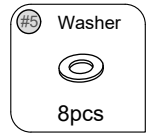
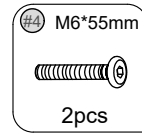
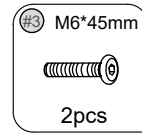
- #4 M6*55mm 3pcs
- #5 Washer 6pcs
- #6 M6 3pcs
- #7 1pc
- #8 1pc



Step 17

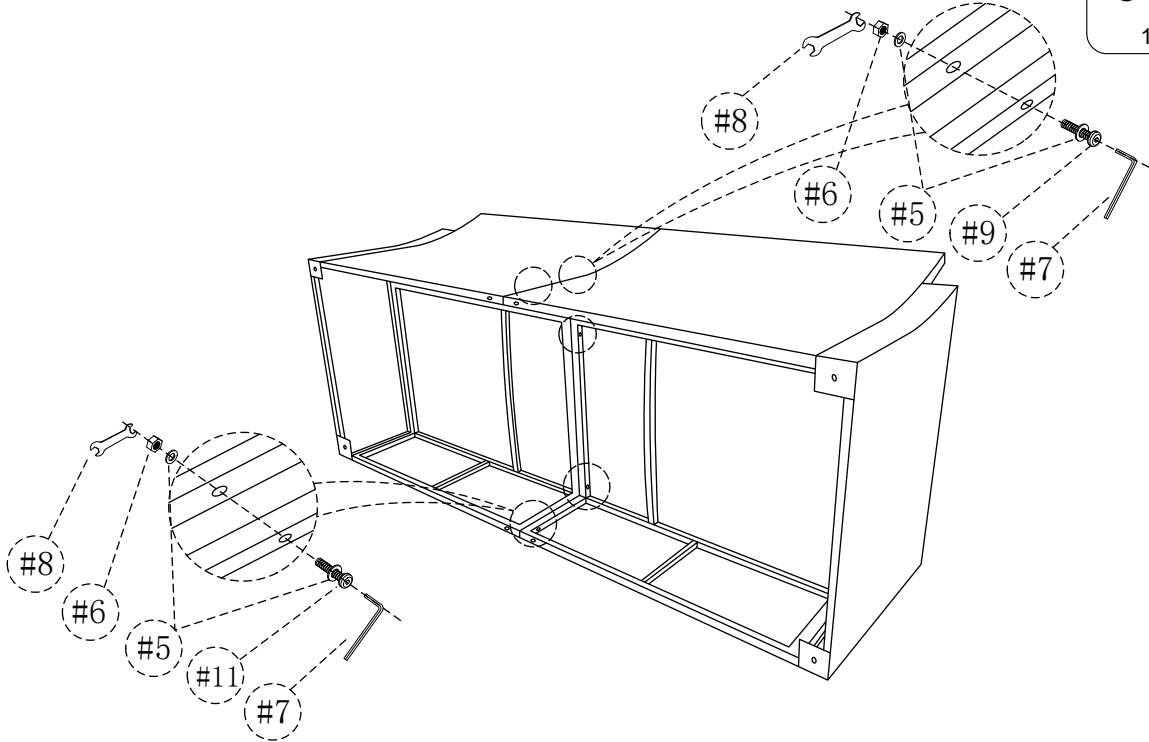


Step 18



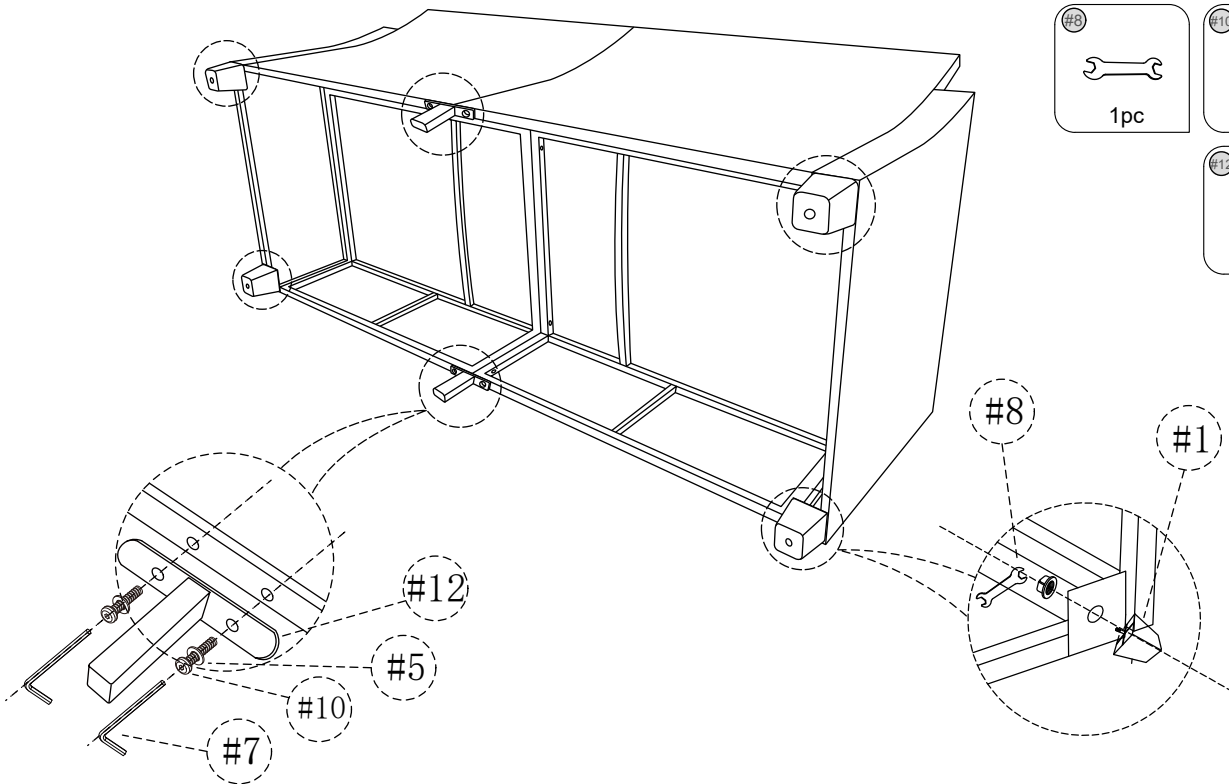
Step 19

- #5 Washer 10pcs
- #6 M6 5pcs
- #7 L-shaped bracket 1pc
- #8 Hex key 1pc
- #9 M6*50mm screw 2pcs
- #10 M6*70mm screw 3pcs

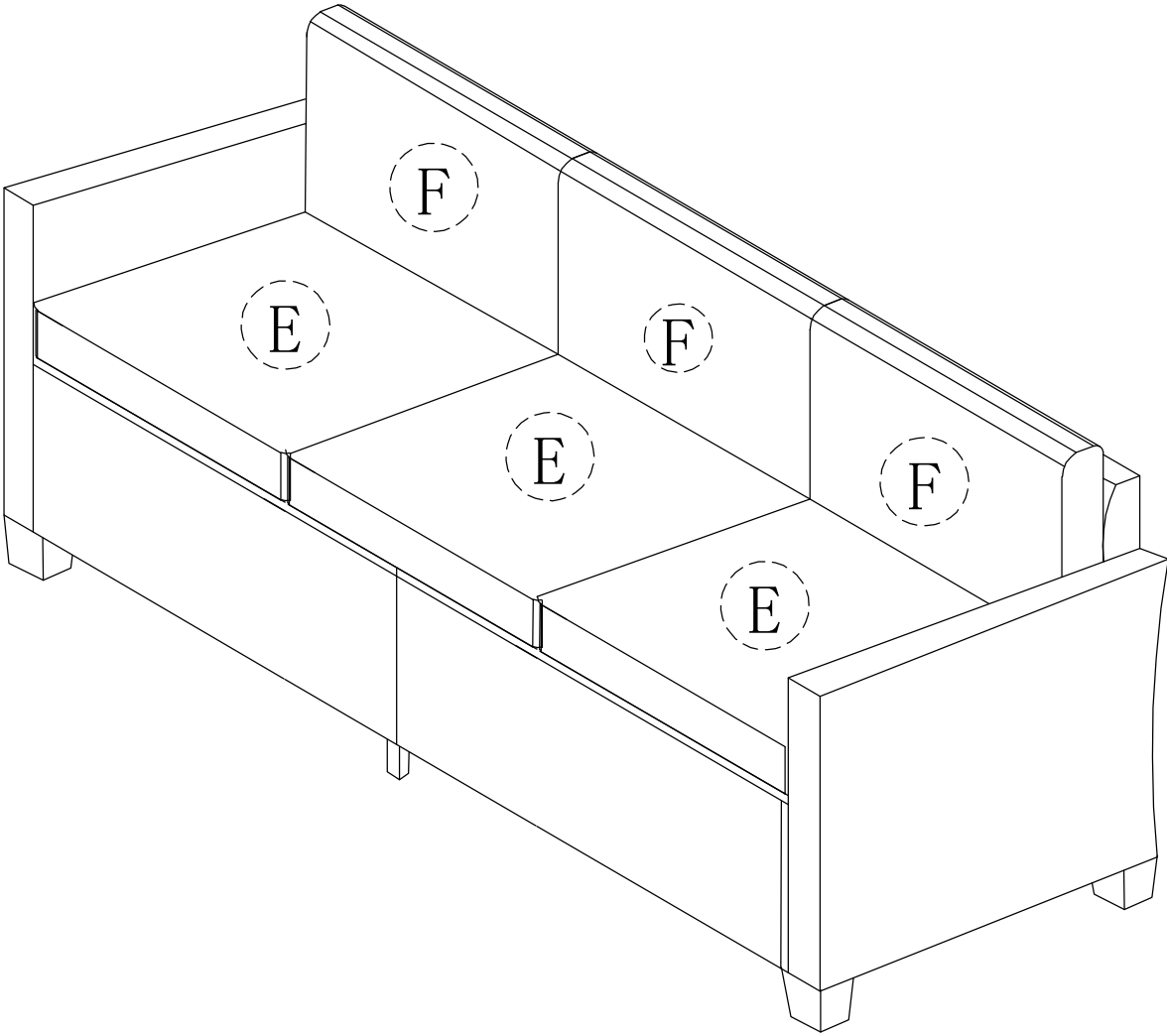


Step 20

- #1 Corner cap 4pcs
- #5 Washer 4pcs
- #7 L-shaped bracket 1pc
- #8 Hex key 1pc
- #9 M6*20mm screw 4pcs
- #10 Hex key 2pcs

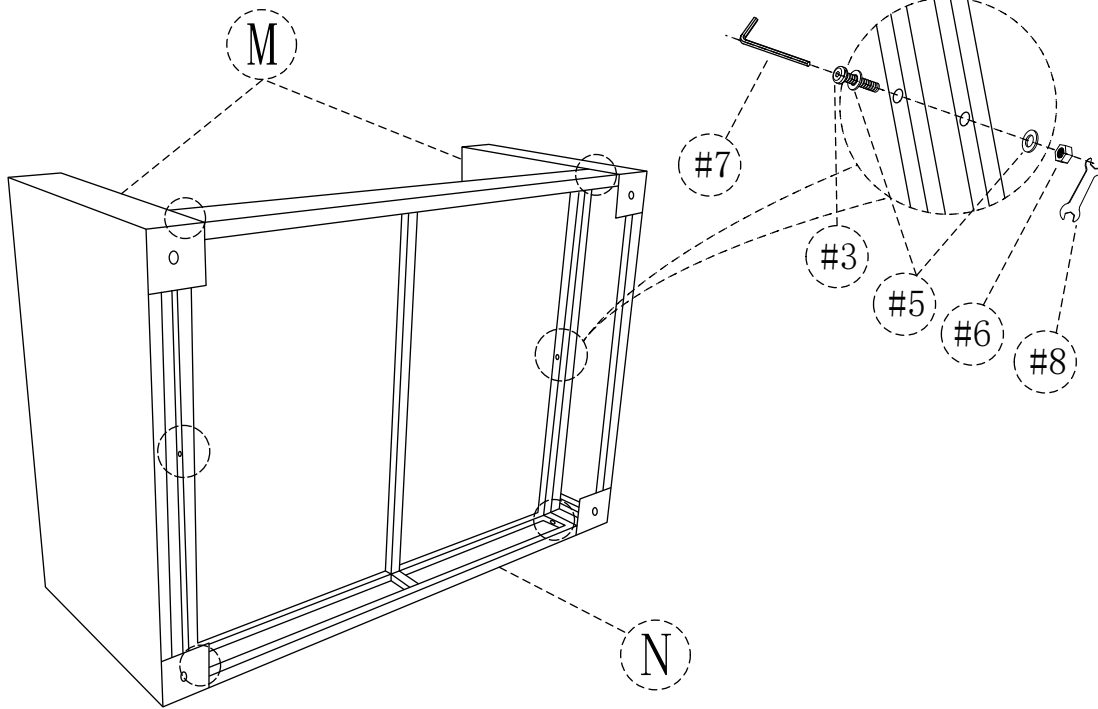


Step 21



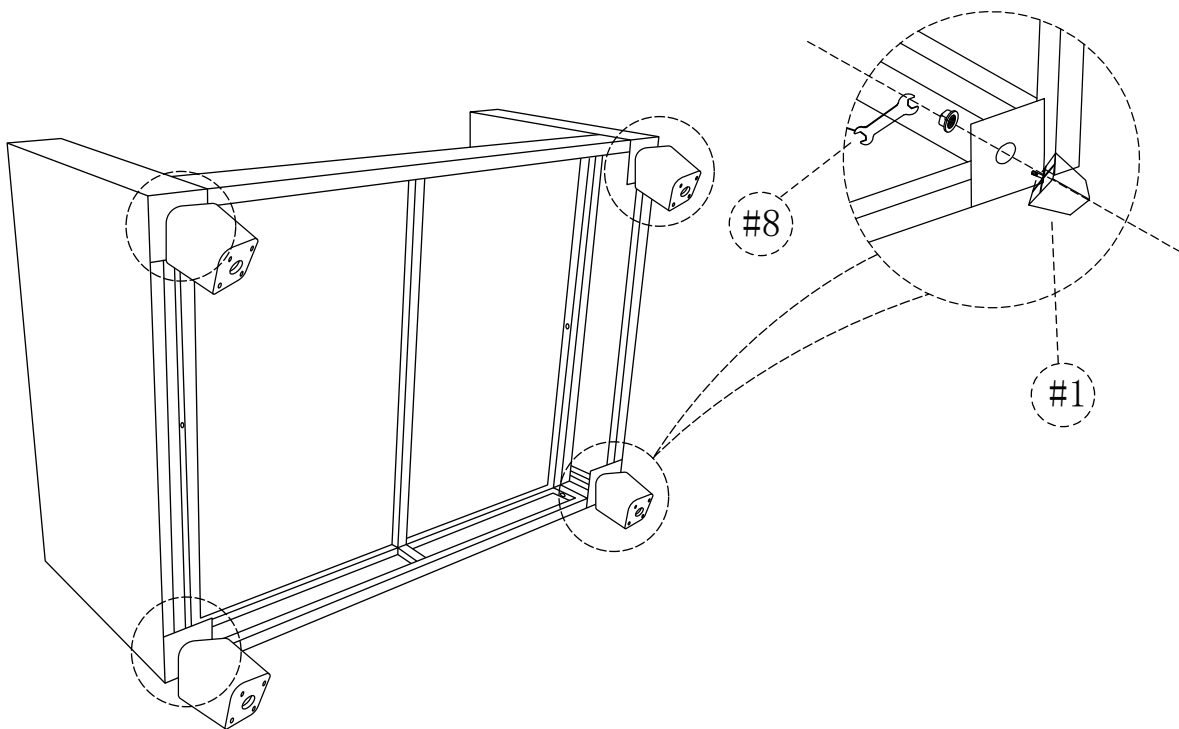
Step 22

- #3 M6*45mm 6pcs
- #5 Washer 12pcs
- #6 M6 6pcs
- #7 1pc
- #8 1pc

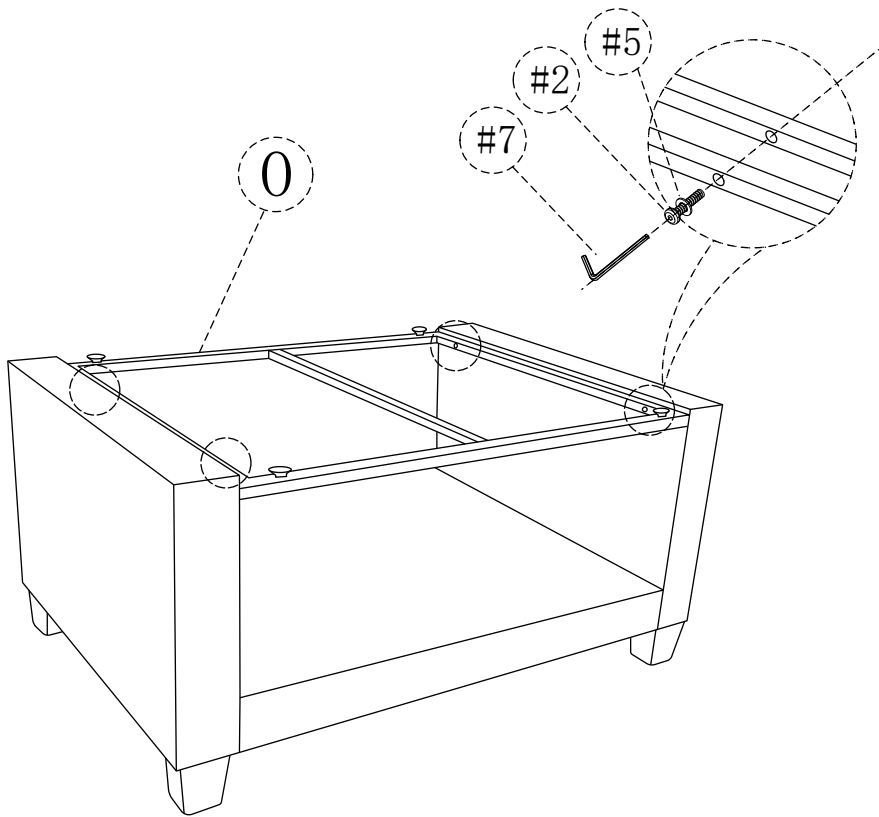
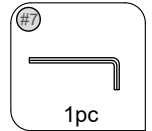
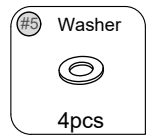
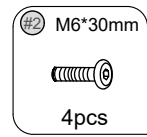


Step 23

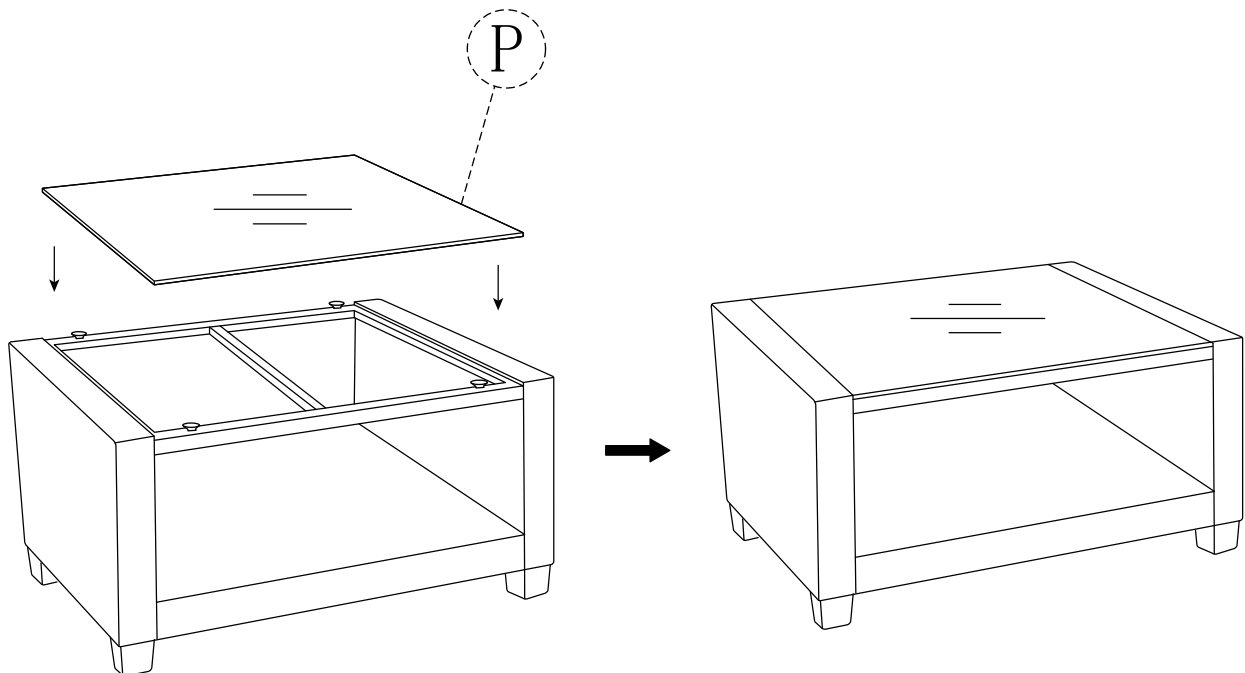
- #1 4pcs
- #8 1pc



Step 24



Step 25



Note:
Pls check and tighten all screws.

IMPORTANT SAFETY INFORMATION

Please carefully read the instructions and caution warnings below before assembling the product. Following this guide will ensure that you install, use and maintain the product properly.

- Please keep this installation and user manual/instructions for future reference in case you need to assemble the product.
- Do not assemble if you notice serious damage such as cracks or bends.
- During installation, please use work gloves for hand safety.
- Please assemble the unit on carpeted floor or the flat cardboard box to avoid scratching the surface or your floor while assembling on the floor.
- To assemble, please use the complimentary installation tools (Allen Wrench). Pay more attention to the direction of components at each steps.
- It is recommended that two people work together to assemble the product.
- Please do not tighten the screws up too much, just to 80% before you finish to make the installation go on successfully.

RETURN POLICY

We believe you will absolutely love your new product. But for some reason you want to return your item, please contact us within 30 days after receiving and ensure that the product which you want to return is in a good condition in the original box with all original certificates of purchase, manuals and accessories attached.

HOW TO MAINTAIN YOUR PRODUCT:

- Check the screws of the product are not loose from regular use.
- Do not use sharp instruments, rubbing alcohol, corrosive chemicals, or abrasive cleaners to clean the product.
- Do not keep the product in a damp environment for a long period of time. The damp environment may cause the iron components to rust and the plates to bulge and crack.