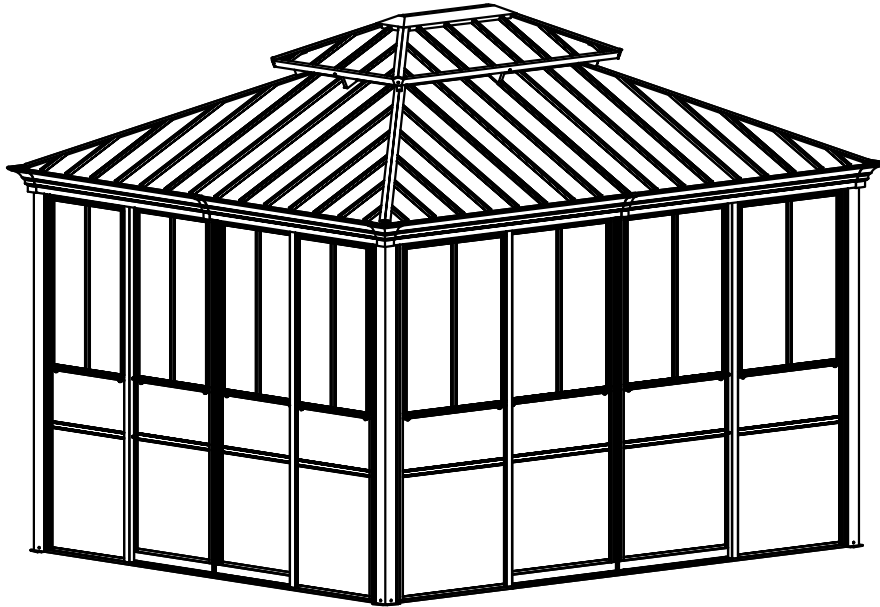


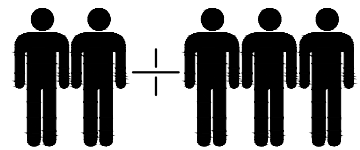
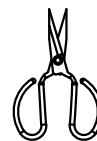
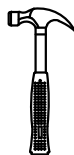
10 x 12FT

□ WQOT223TN-1/WQOT208MS-1 □



Note: The sunroom needs to be installed in cooperation with five people.

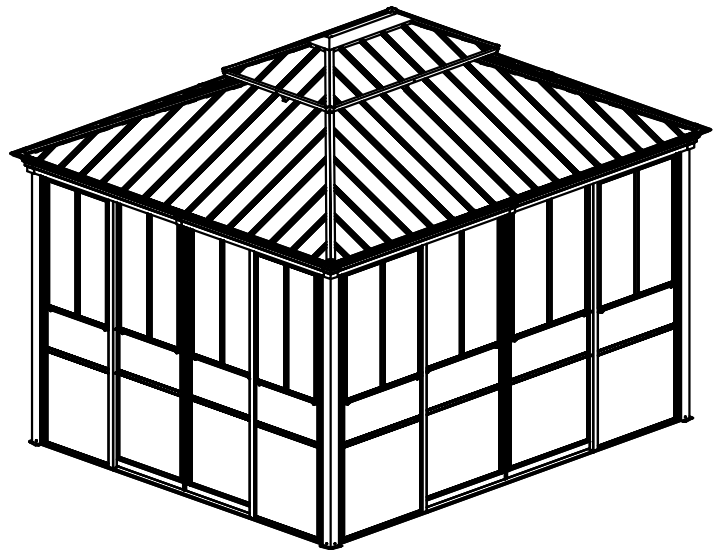
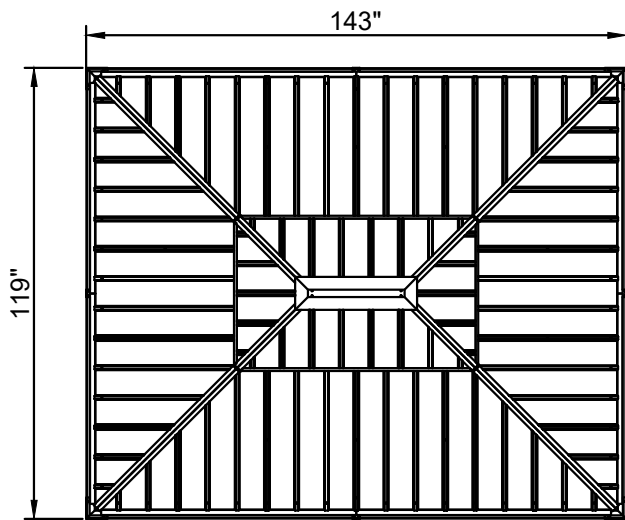
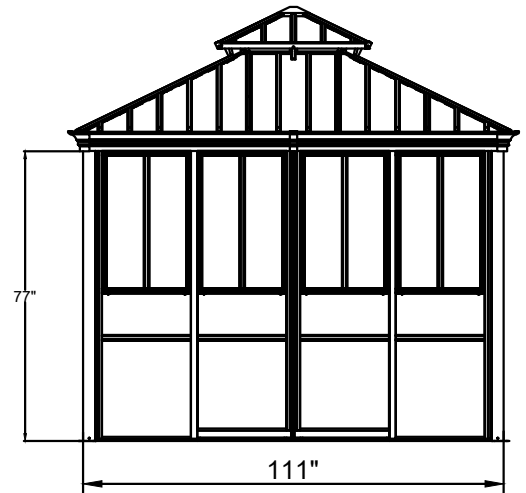
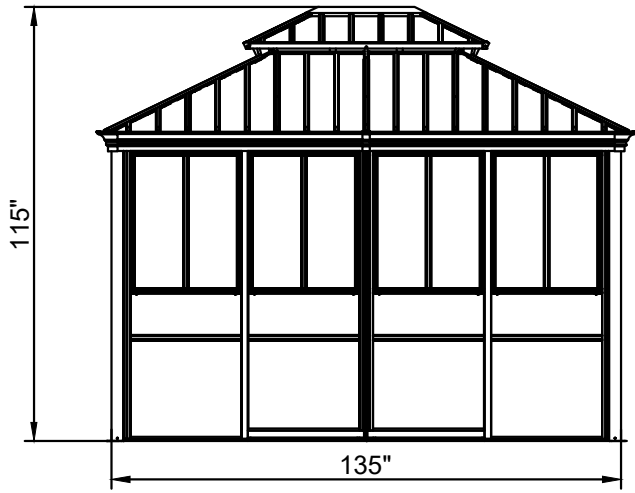
Assembly of this product requires the following tools, these tools are not included, please bring your own, if you have questions, please contact us.



Pistol Drill Tape Measure Hammer Screwdriver Ladder Scissor 5 people

ATTENTION:

1. Please check the manual carefully and make sure you have received all the parts.
2. If any parts are missing, please let us know the letter of the parts you need.
3. If any parts are damaged, please send us clear photos to us. photos. We will review them and provide the best solution as soon as possible.
4. If you have any problems, please feel free to contact us. Our professional customer service and after-sales team are always ready to help you.
5. You can reach us via email at **customer01service@hotmail.com**.

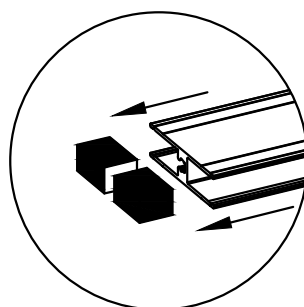


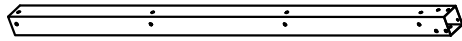
Box 1		(MD5)	16	(M5B)	1																																									
Part #	Qty	(3-1)	16	(Z)	48																																									
(AB1)	2	(23)	72	(M5M)	4																																									
(AB2)	2	<table border="1"> <tr><td colspan="8">10x12</td></tr> <tr><td>AB</td><td>AB</td><td>AD</td><td>AD</td><td>AF</td><td>AF</td><td>AG</td><td>AG</td></tr> <tr><td>BAB</td><td>AD</td><td>AD</td><td>AF</td><td>AF</td><td>AG</td><td>AG</td><td></td></tr> <tr><td>AC</td><td>AC</td><td>AE</td><td>AE</td><td>AF</td><td>AF</td><td>AG</td><td>AG</td></tr> <tr><td>CAC</td><td>AE</td><td>EA</td><td>AF</td><td>AF</td><td>AG</td><td>AG</td><td></td></tr> </table>		10x12								AB	AB	AD	AD	AF	AF	AG	AG	BAB	AD	AD	AF	AF	AG	AG		AC	AC	AE	AE	AF	AF	AG	AG	CAC	AE	EA	AF	AF	AG	AG		1	(M5G)	16
10x12																																														
AB	AB			AD	AD	AF	AF	AG	AG																																					
BAB	AD			AD	AF	AF	AG	AG																																						
AC	AC	AE	AE	AF	AF	AG	AG																																							
CAC	AE	EA	AF	AF	AG	AG																																								
(AB3)	2	(M4L)	10																																											
(AB4)	2	(M4M)	4																																											
(E19)	4	(M4H)	4																																											
(D1)	2	(M4P)	4																																											
(D2)	2	Box 2		(JE1)	4																																									
(D9)	2	Part #	Qty	(M5J)	2																																									
(D10)	2	(JA1)	4	(U1)	4																																									
(F9)	4	(I9)	2	(U2)	4																																									
(G1)	2	(M1A)	4	(U3)	4																																									
(G9)	2	(M2A)	4	(U4)	4																																									
(M4N)	2	(M1F)	4	Box 4																																										
(M5N)	2	(M4J)	2																																											
(M5H)	4	(M1D)	4	Part #	Qty																																									
(M5P)	4	(M2D)	2	(MS1)	16																																									
(K1)	4	(M6G)	16	(MS2)	8																																									
(AJ1)	4	(M5L)	16	(MS3)	4																																									
(W)	4	(4-1)	16	(MS4)	4																																									
(W1)	4	(Y)	72	(MS5)	16																																									
(JZ1)	4	(V1)	2	(MS6)	8																																									
(JZ2)	4	(V6)	2	(MS7)	4																																									
(MQ2)	32	Box 3		(MS8)	4																																									
(N)	8																																													
(Z1)	16	Part #	Qty	(1R-1)	32																																									
(Z2)	8	(M1B)	4	(1R-2)	16																																									
(MD1)	64	(M2B)	4	(1R-3)	16																																									
3	(MD2)	(M1C)	4	(5-1)	2																																									
	(MD3)	(M2C)	4	(24)	1																																									
	(MD4)			(M1S)	8																																									
				(M2S)	8																																									

Box 5		Box 6	
Part #	Qty	Part #	Qty
(R1)	4	(M5B)	3
(R2)	4	(M6B)	4
(Q3)	4	(M2D)	2
(Q4)	4	(M1E)	32
(Q5)	2	(M1G)	16
(Q6)	2	(M4K)	4
(Q7)	2	(P)	4
(S1)	4	(M4L)	6
(S2)	4	(E5)	4
(S3)	2	(M5K)	4
(F7)	4	(L6)	1
		(M2)	1
		(I1)	2
		(K)	4
		1.2.3.4.5.6.7.8.9 10.11.12.13.14.15 16.17.18.19.20.21 22.25. 26	1

The instruction manual is in Box A.

Take out the plastic (packing material) blocks at both ends of the profiles numbered M1E, M1G, M5G, M6G, M4H,M5H,M4L and M5L.

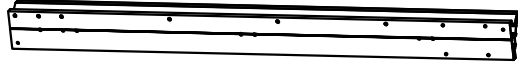




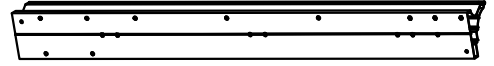
JA1 4x



AB1 2x



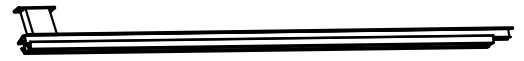
AB2 2x



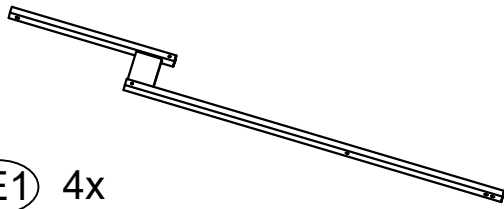
AB3 2x



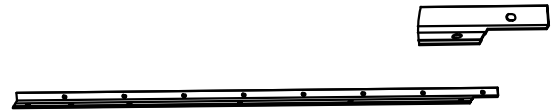
AB4 2x



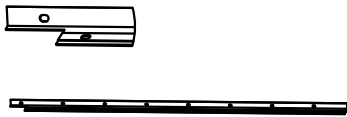
E19 4x



JE1 4x



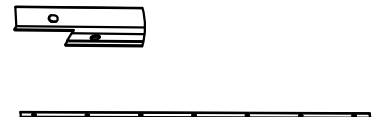
D1 2x



D2 2x



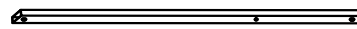
D9 2x



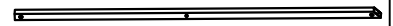
D10 2x



E5 4x



F7 4x



F9 4x



G1 2x



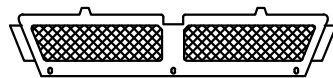
G9 2x



I9 2x



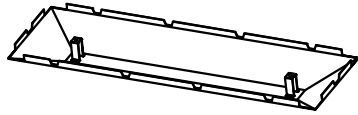
I1 2x



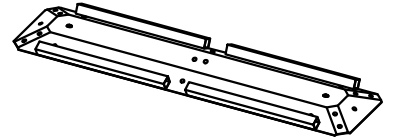
V1 2x



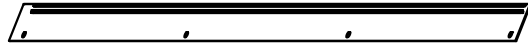
V6 2x



(M2) 1x



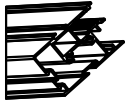
(L6) 1x



(M2A) 4x



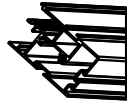
(M1B) 4x



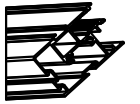
(M1A) 4x



(M2B) 4x



(M5B) 4x



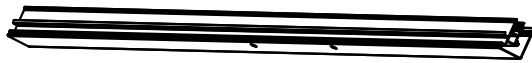
(M6B) 4x



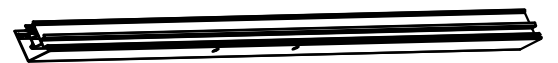
(M1D) 4x



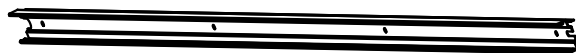
(M2D) 4x



(M1C) 4x



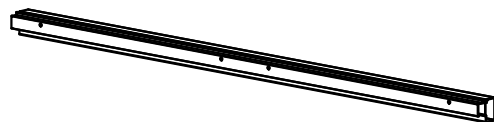
(M2C) 4x



(M1F) 4x




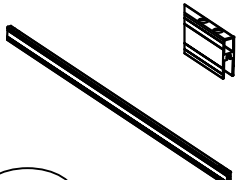
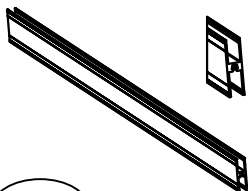

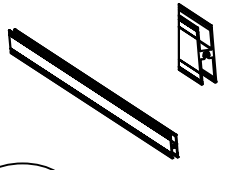
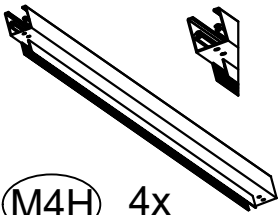
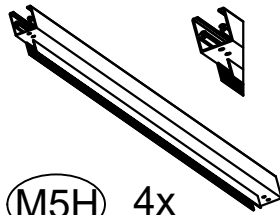
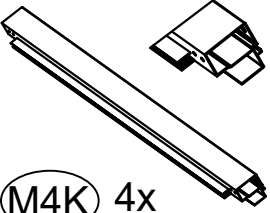
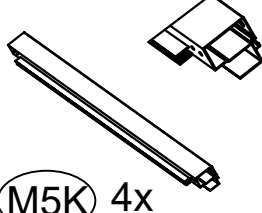
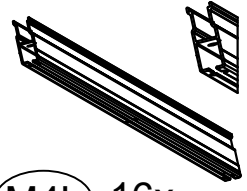
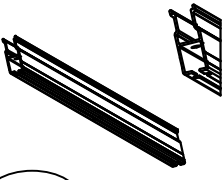
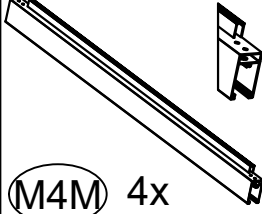
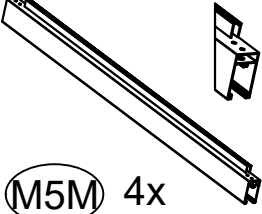
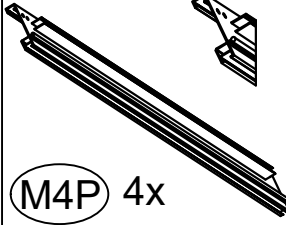
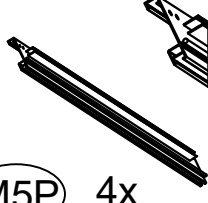
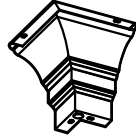

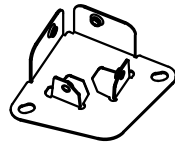

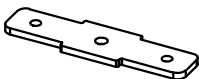
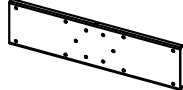
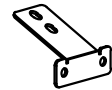
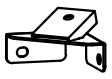
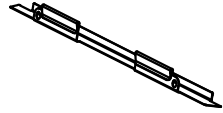
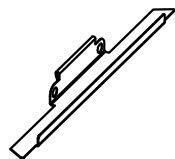
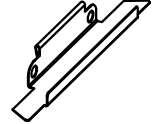
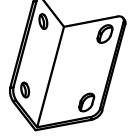
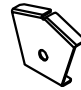

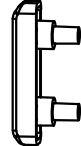
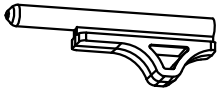
(M4J) 2x

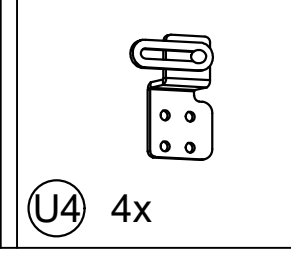
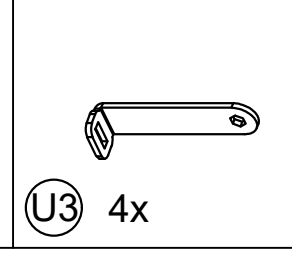
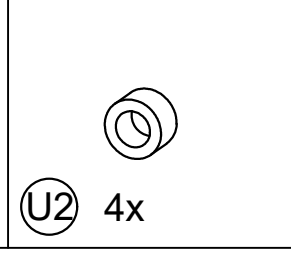
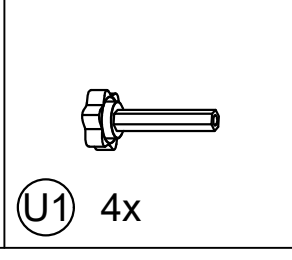
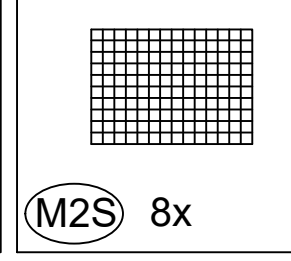
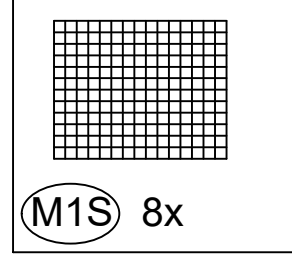
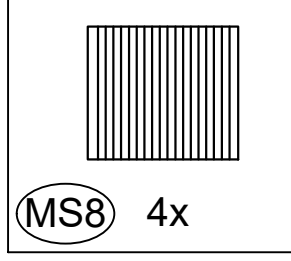
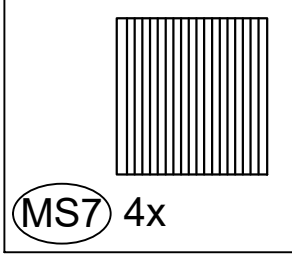
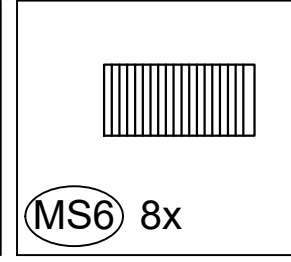
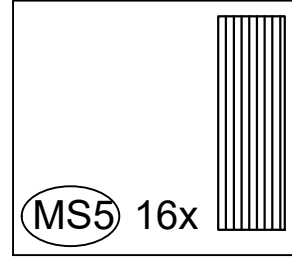
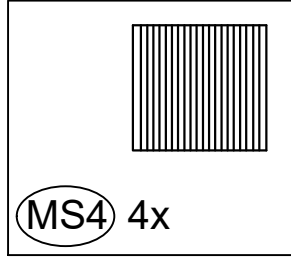
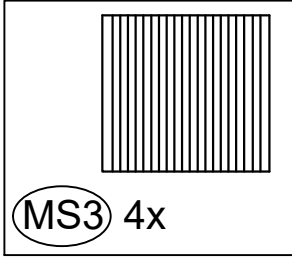
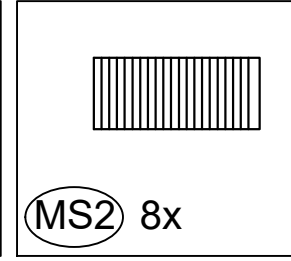
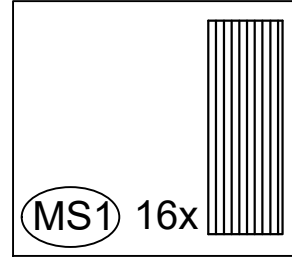
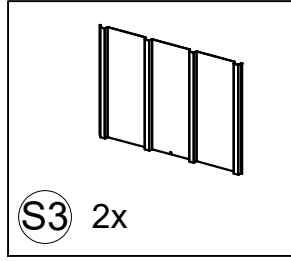
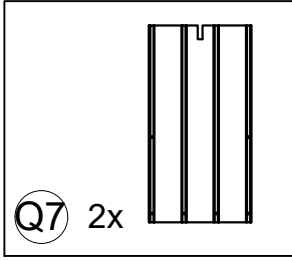
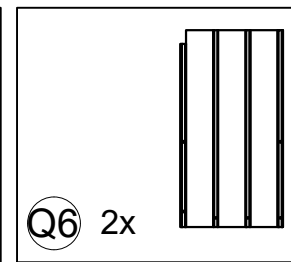
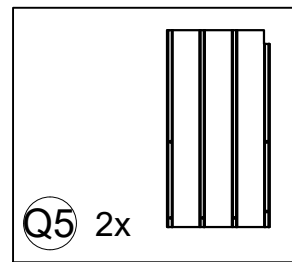
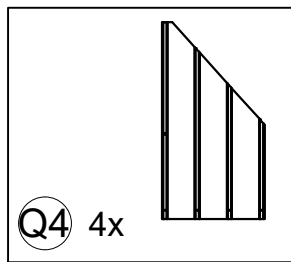
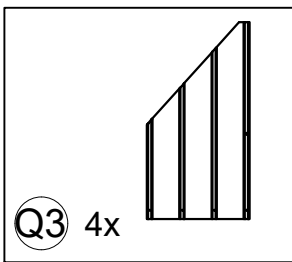
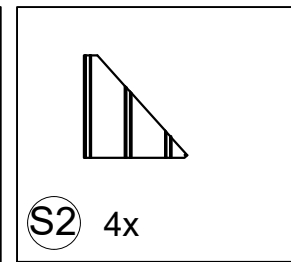
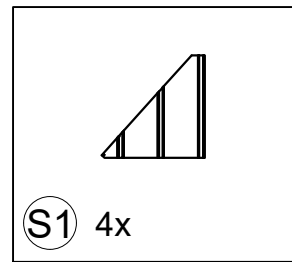
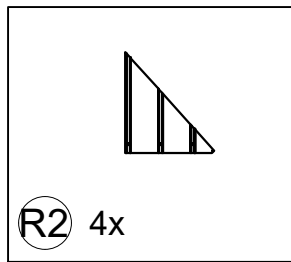
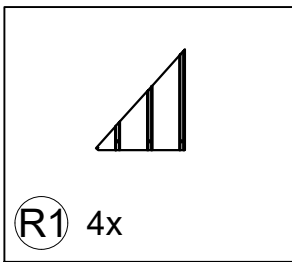
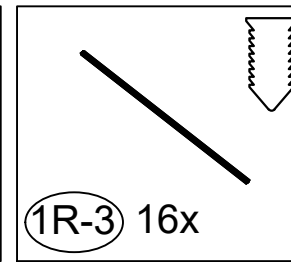
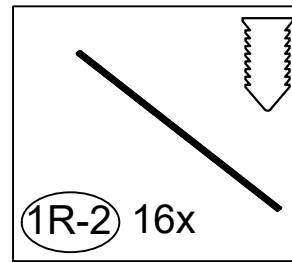
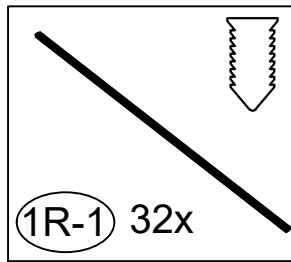
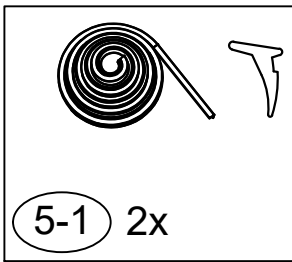
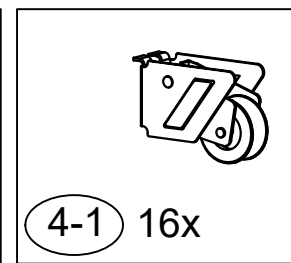
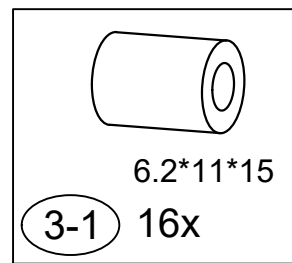
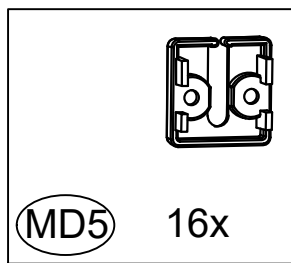
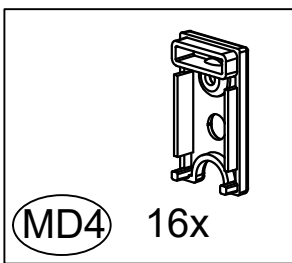


(M5J) 2x



(M4N) 2x

 M5N 2x	 M1E 32x	 M1G 16x
 M5G 16x	 M6G 16x	 M4H 4x
 M5H 4x	 M4K 4x	 M5K 4x
 M4L 16x	 M5L 16x	 M4M 4x
 M5M 4x	 M4P 4x	 M5P 4x
 K 4x	 K1 4x	 AJ1 4x
 W 4x	 W1 4x	 P 4x
 JZ1 4x	 JZ2 4x	 Z 48x
 Z1 16x	 Z2 8x	 MQ2 32x
 N 8x	 Y 72x	 MD1 64x
 MD3 32x		





MD2 128x



M6x15

1 292x



M6x25

2 64x

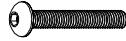


ST 4.8x12

3 40x



4 2x



M6x50

5 8x



6 8x

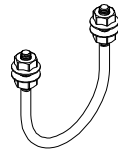


M6x10

7 8x



8 8x

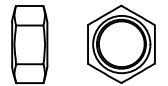


9 1x



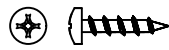
M6

10 76x



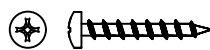
M6

11 16x



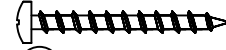
M4x20

12 160x



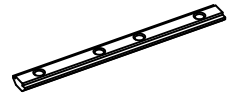
M4x35

13 112x



M4x50

14 64x



15 24x



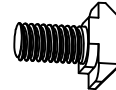
M5x6

16 96x



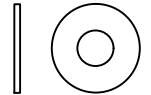
M5

17 48x



M5x12

18 48x



M6

19 72x



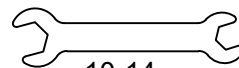
4mm

20 2x

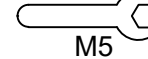


2.5mm

21 2x

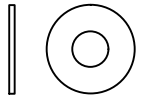


10-14



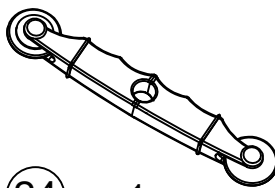
M5

22 1x



Rubber Gasket

23 72x



24 1x

10x12

A	B	A	B	A	D	A	D	A	F	A	F	A	G	A	G
B	A	B	A	D	A	D	A	A	F	A	F	A	G	A	G
A	C	A	C	A	E	A	E	A	F	A	F	A	G	A	G
C	A	C	A	E	A	E	A	A	F	A	F	A	G	A	G

1x



M5x15

25 16x



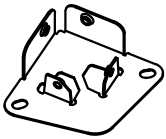
M4x12

26 4x

<1>



JA1 4x

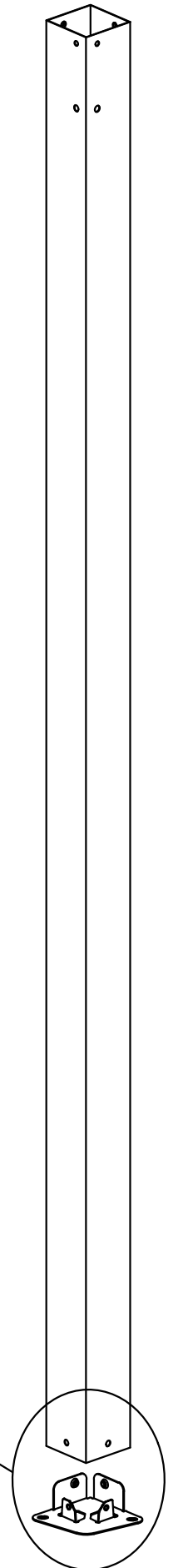
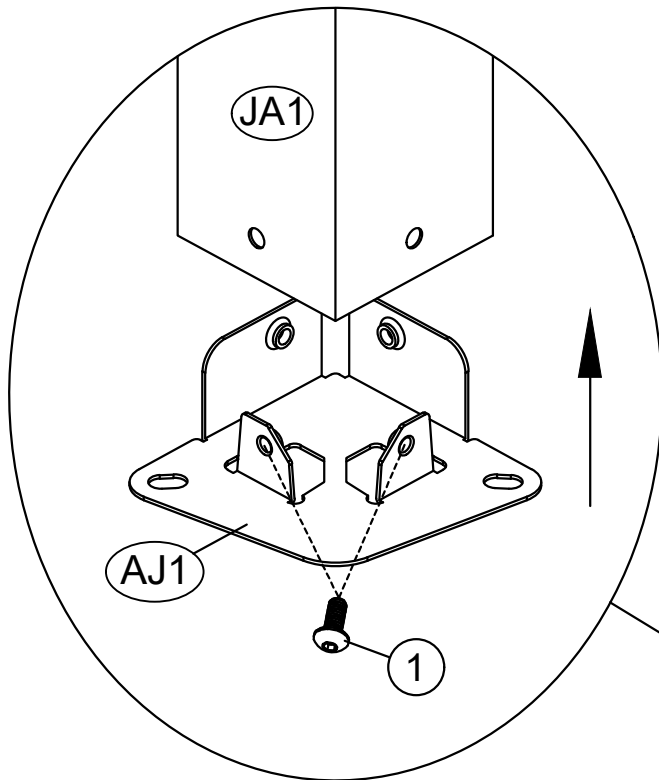


AJ1 4x

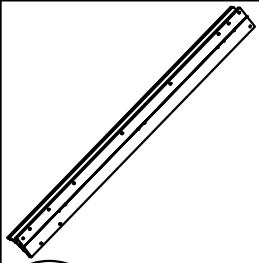


M6x15

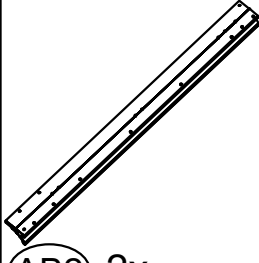
1 8x



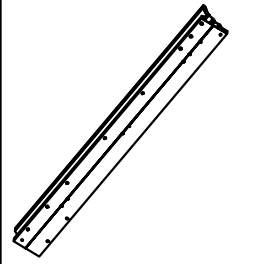
<2>



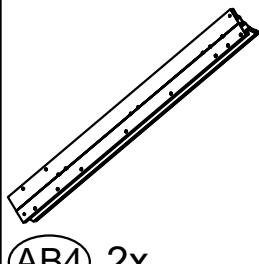
AB1 2x



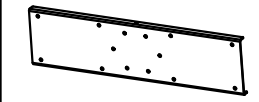
AB2 2x



AB3 2x



AB4 2x



P 4x

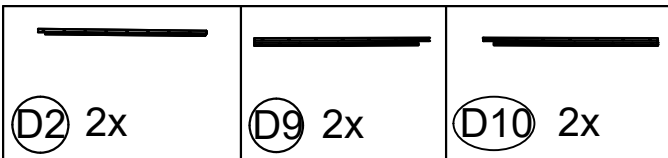
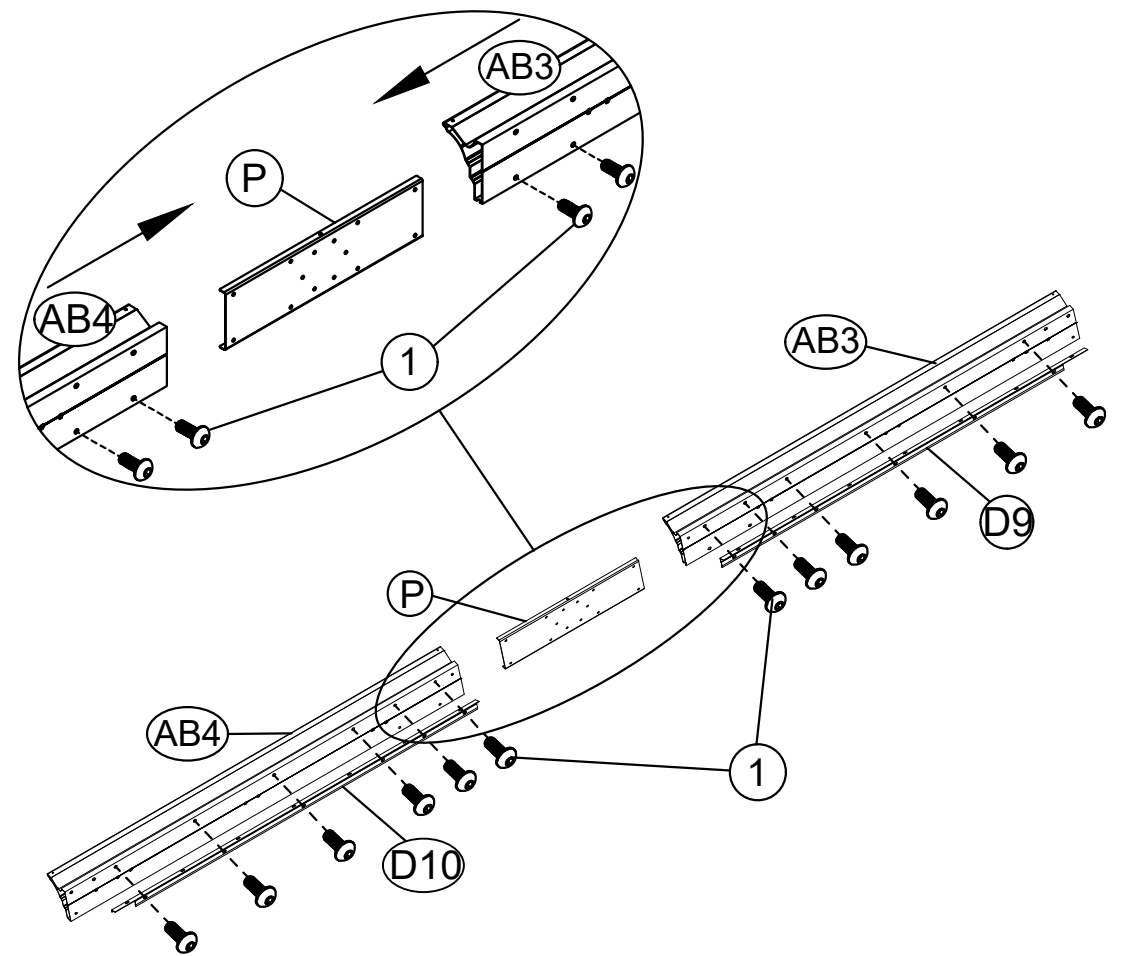
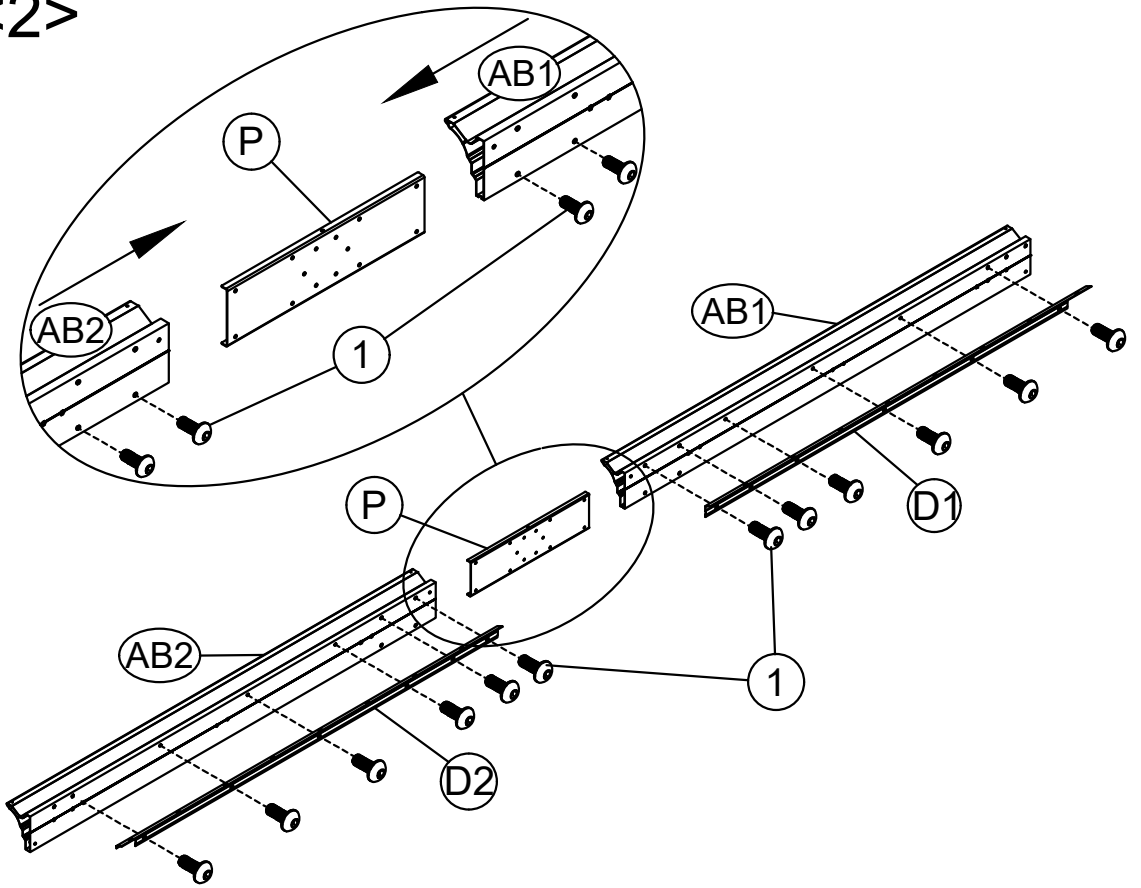


1 64x
M6x15



D1 2x

11

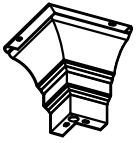


D2 2x

D9 2x

D10 2x

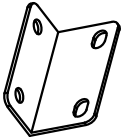
<3>



(K) 4x



(K1) 4x



(MQ2) 8x



M6x15

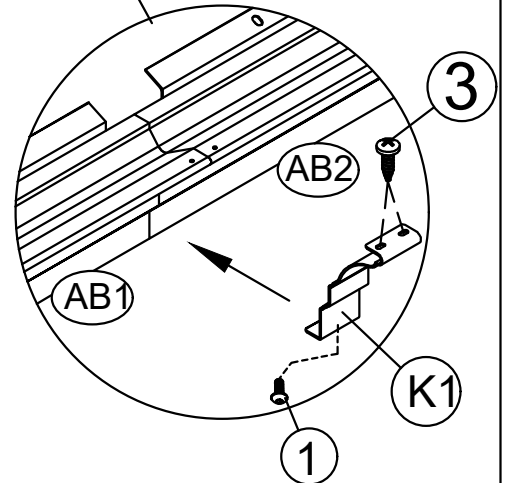
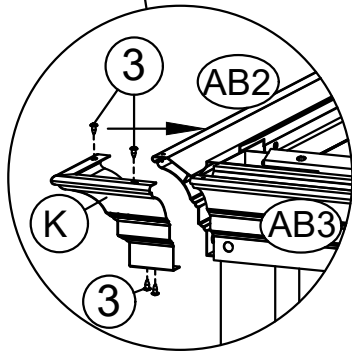
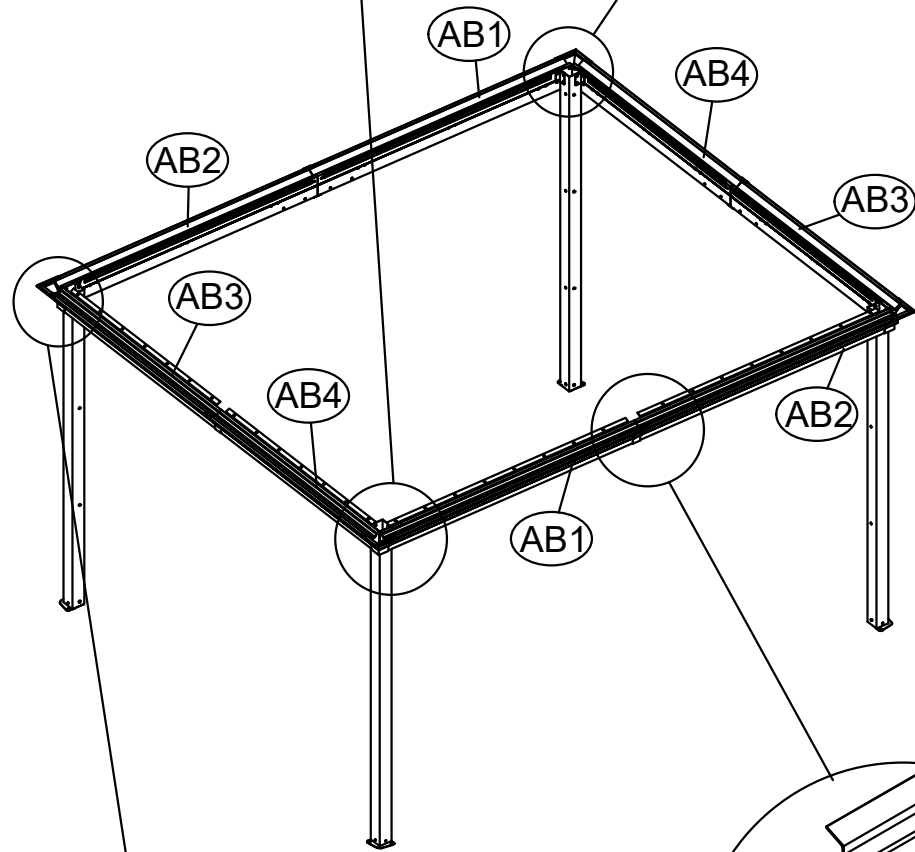
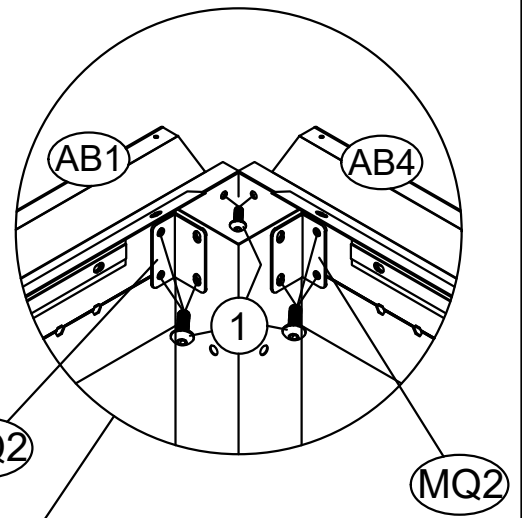
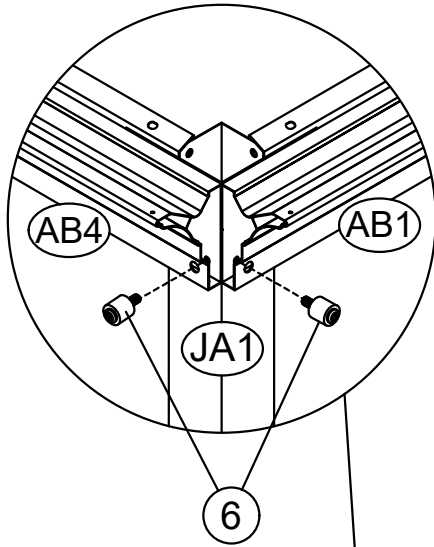
(1) 36x



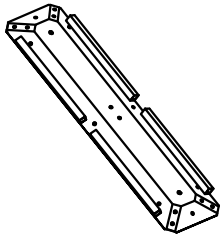
(6) 8x



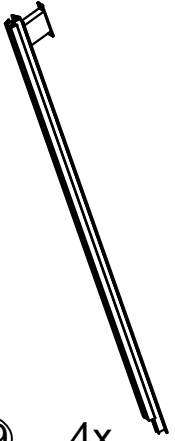
(3) 24x



<4>



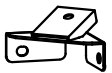
L6 1x



E19 4x



E5 4x

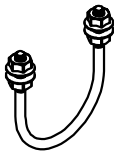


JZ2 4x



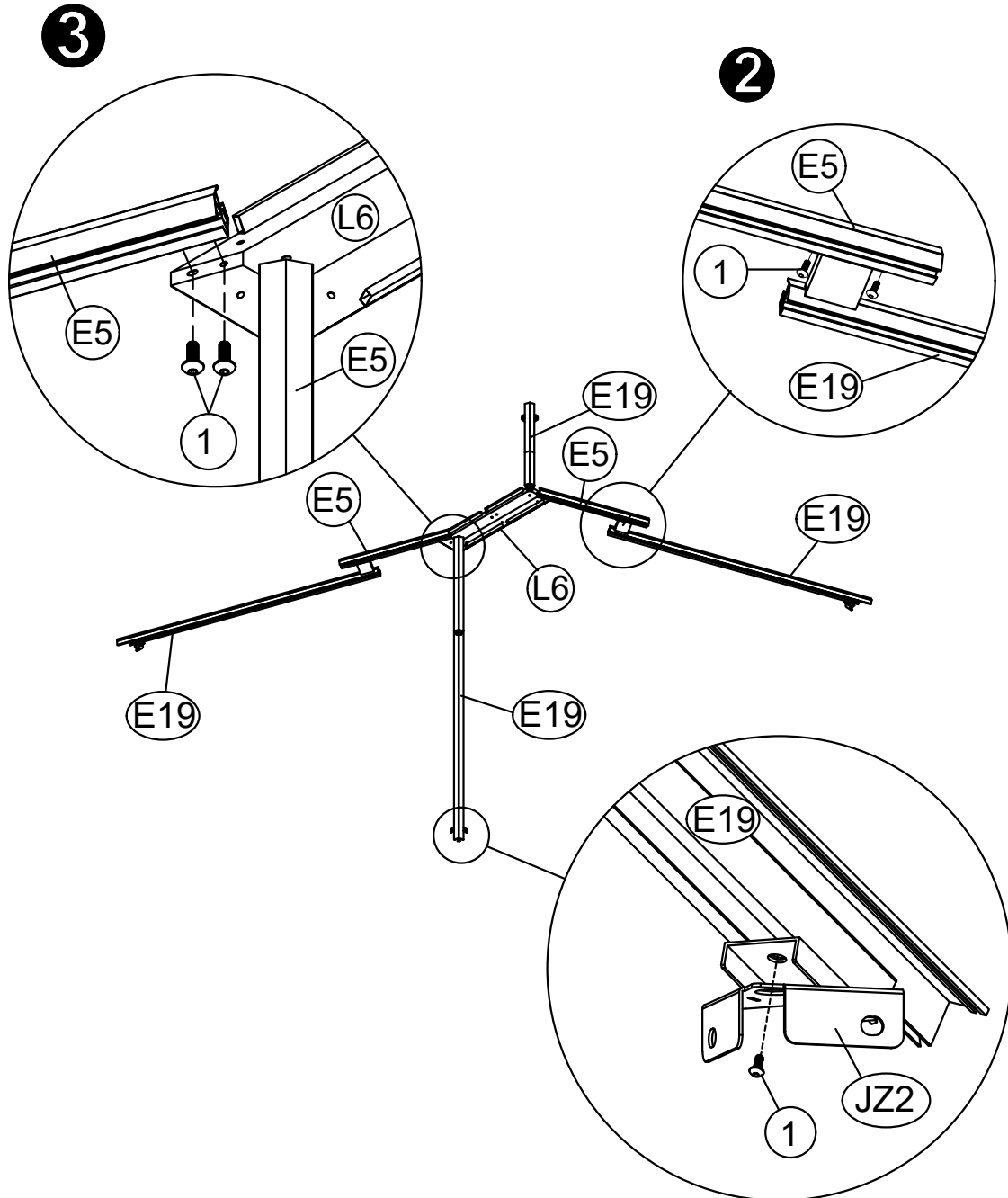
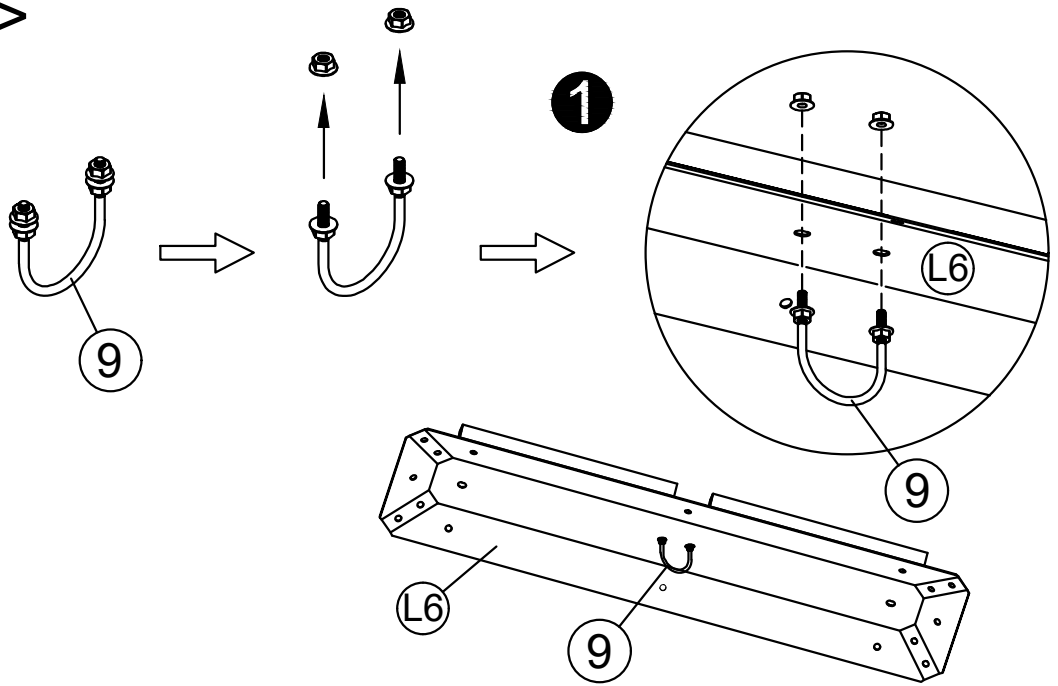
M6x15

1 20x



9 1x

13

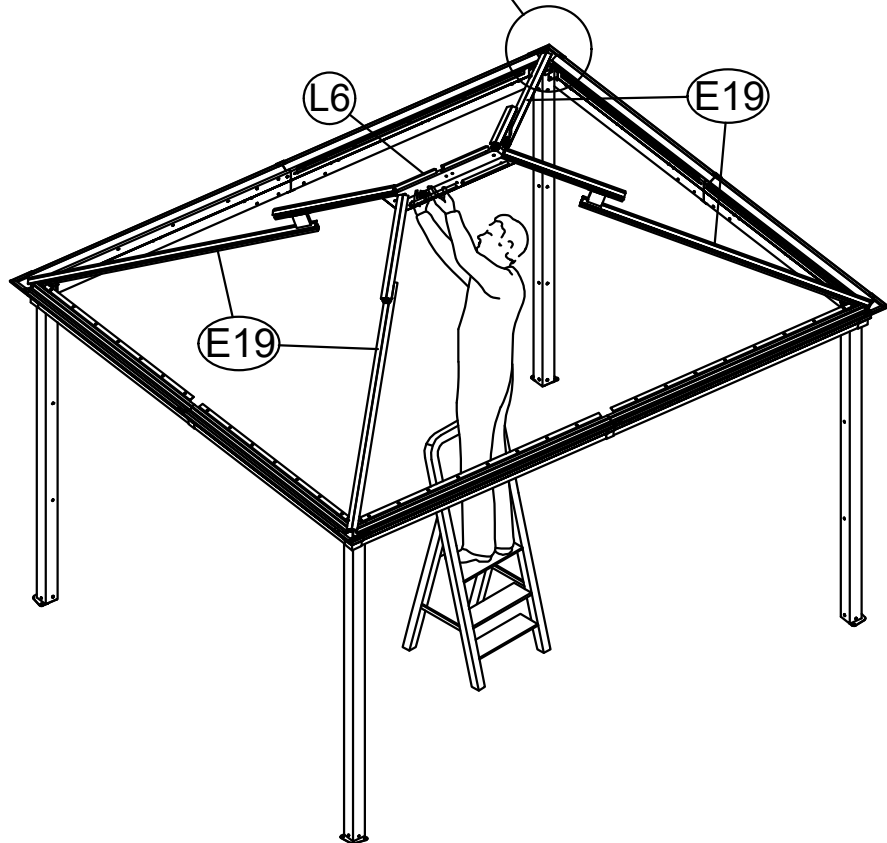
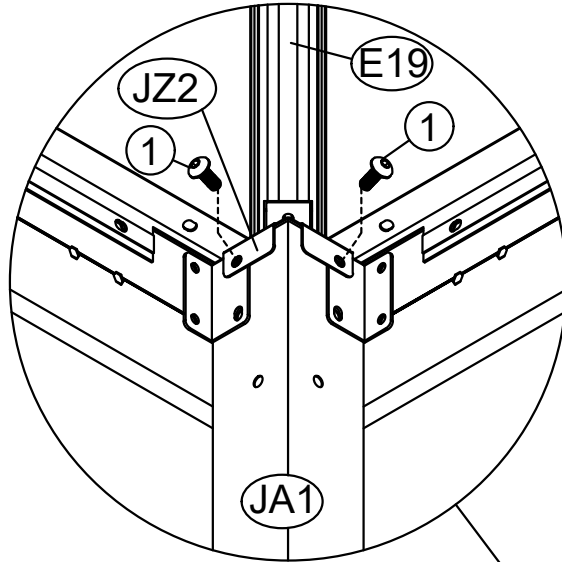




M6x15

<5>

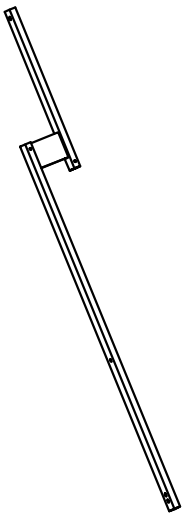
1 8x



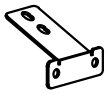
Note:

1. Have one person stand on the ladder to lift and hold "L6", while others fasten the screws connecting both ends of "JZ2".
2. Do not release "L6" until all the "JZ2" screws are fully installed.

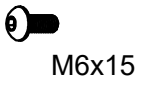
<6>



JE1 4x

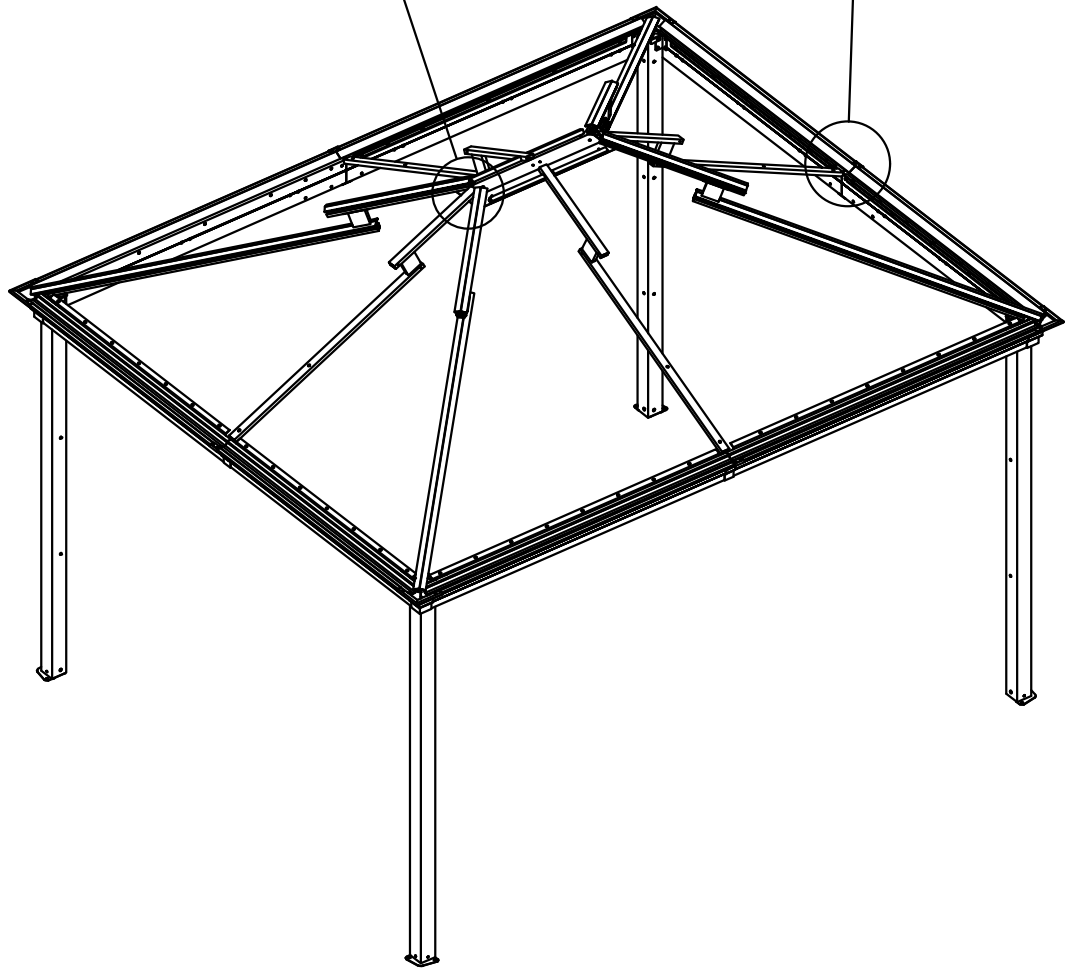
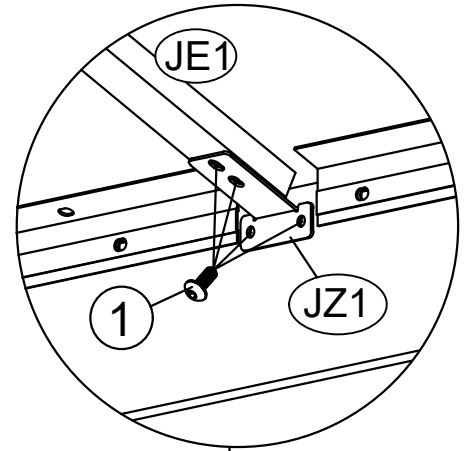
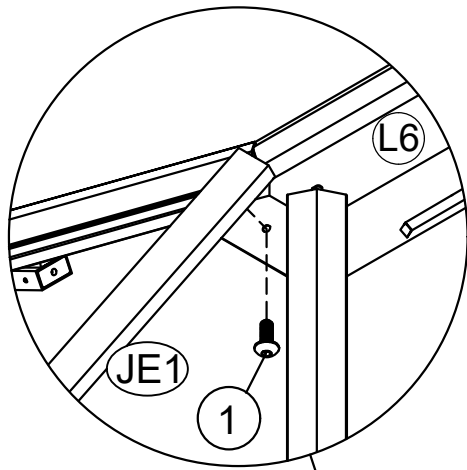


JZ1 4x



M6x15

1 20x



<7>

G1 2x

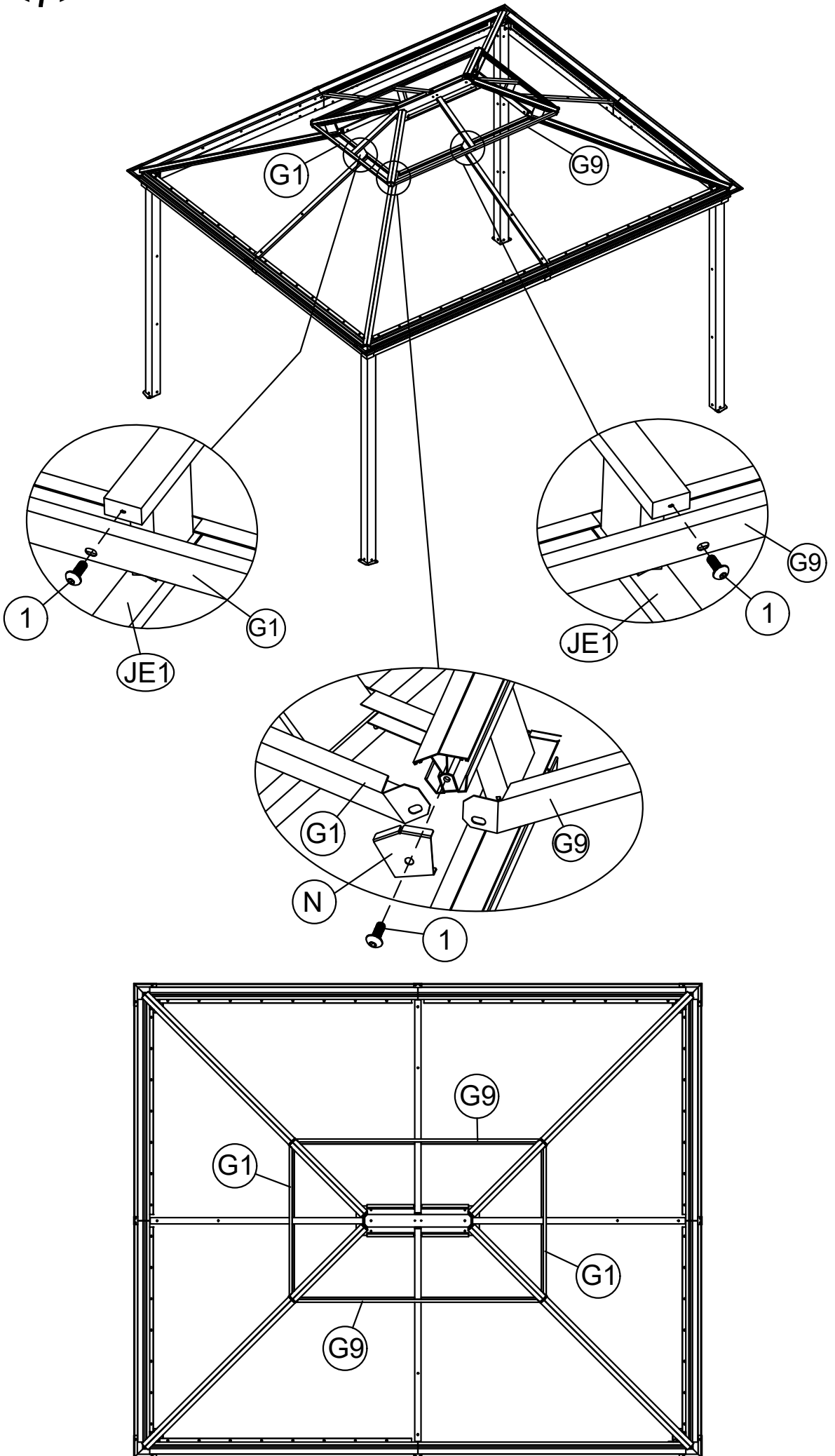
G9 2x

N 4x

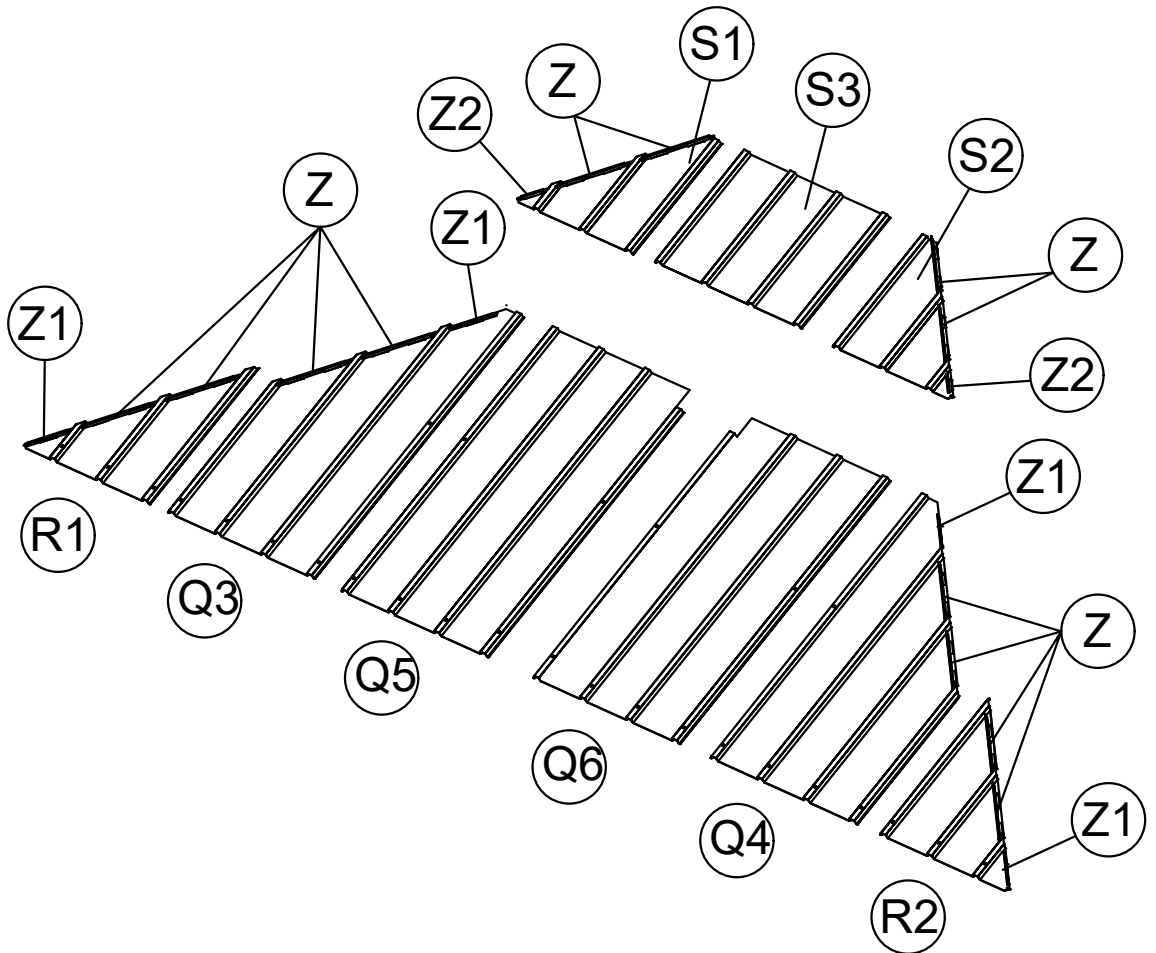
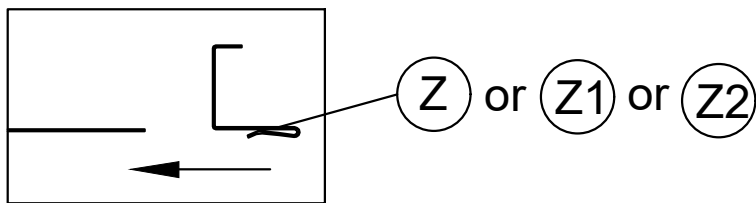
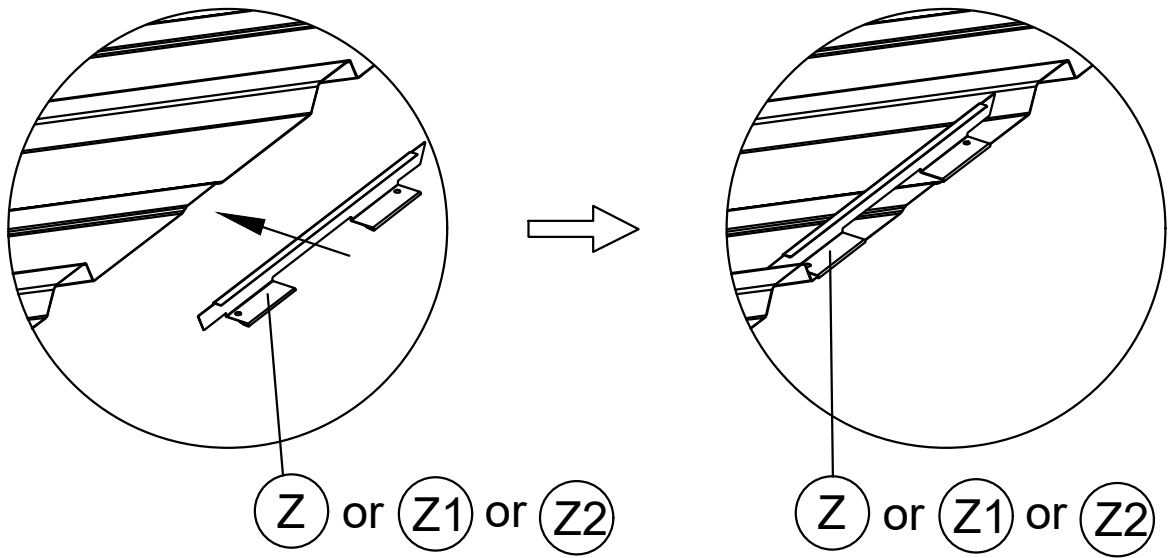
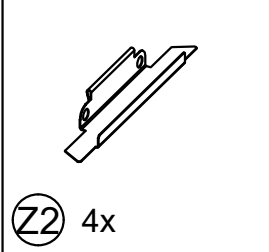
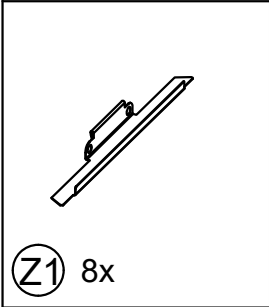
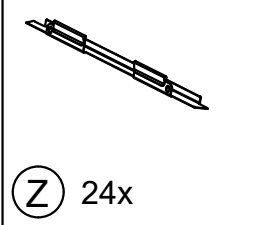
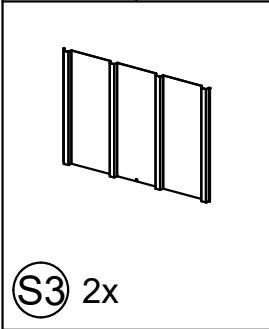
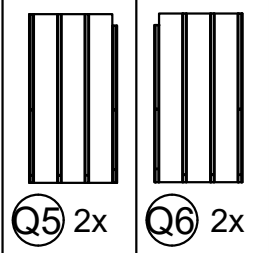
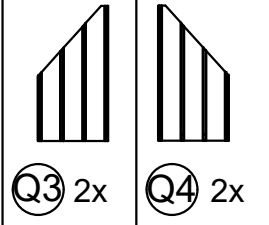
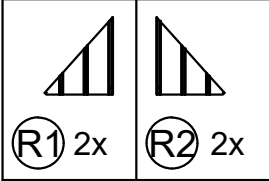
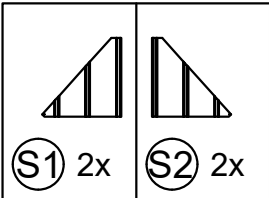
1 8x

M6x15

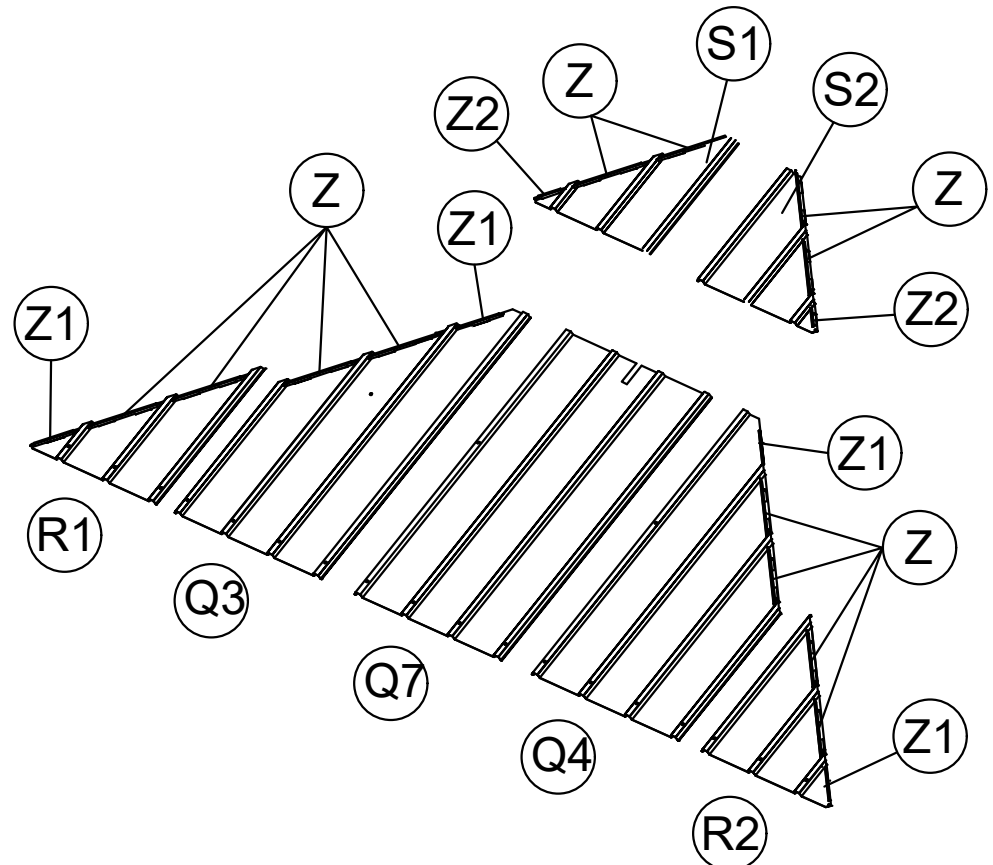
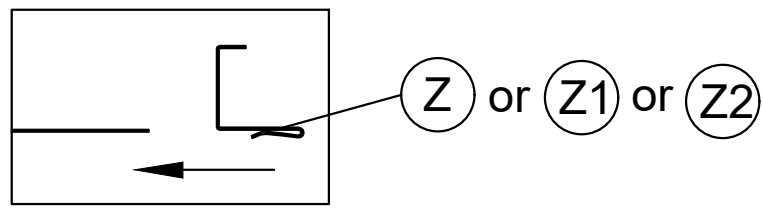
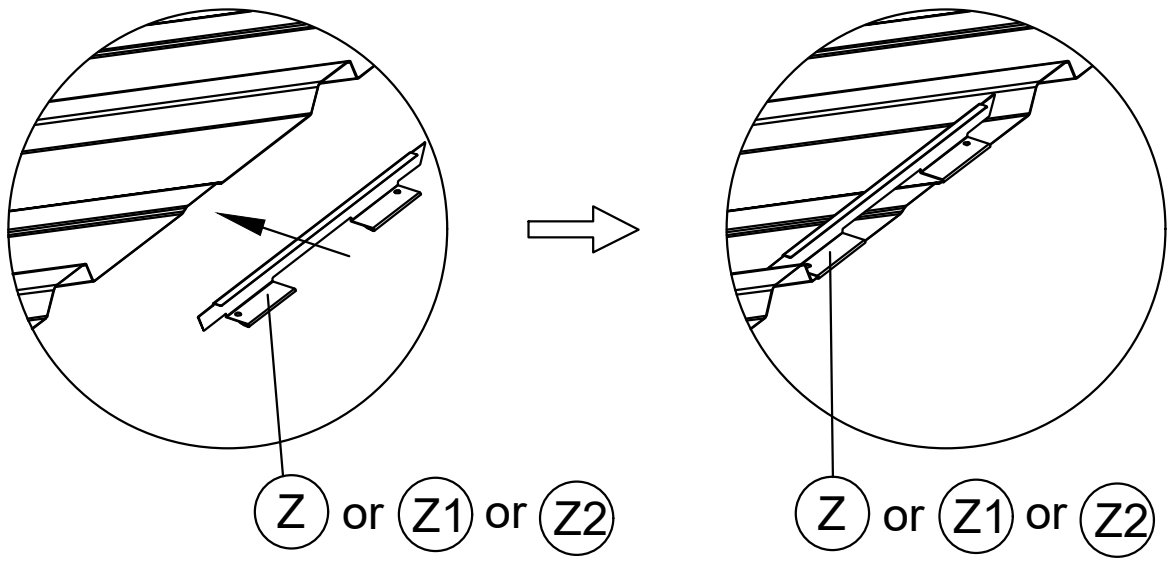
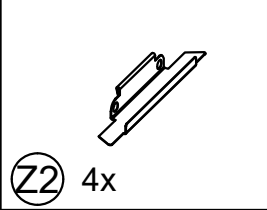
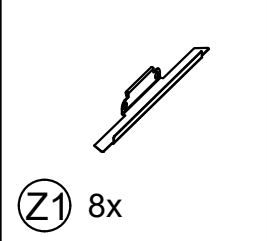
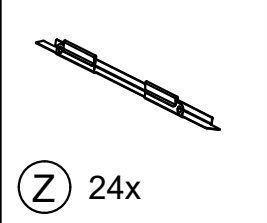
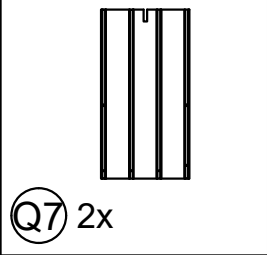
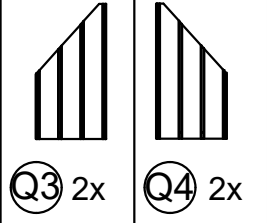
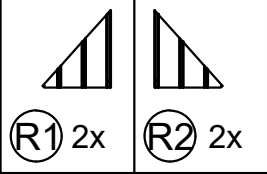
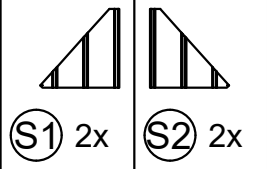
16



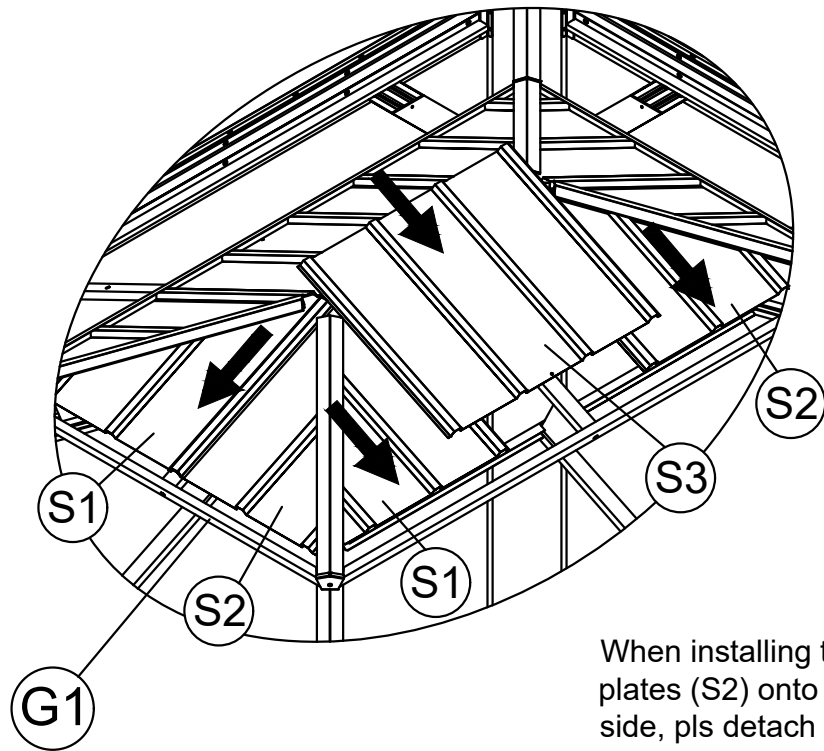
<8>



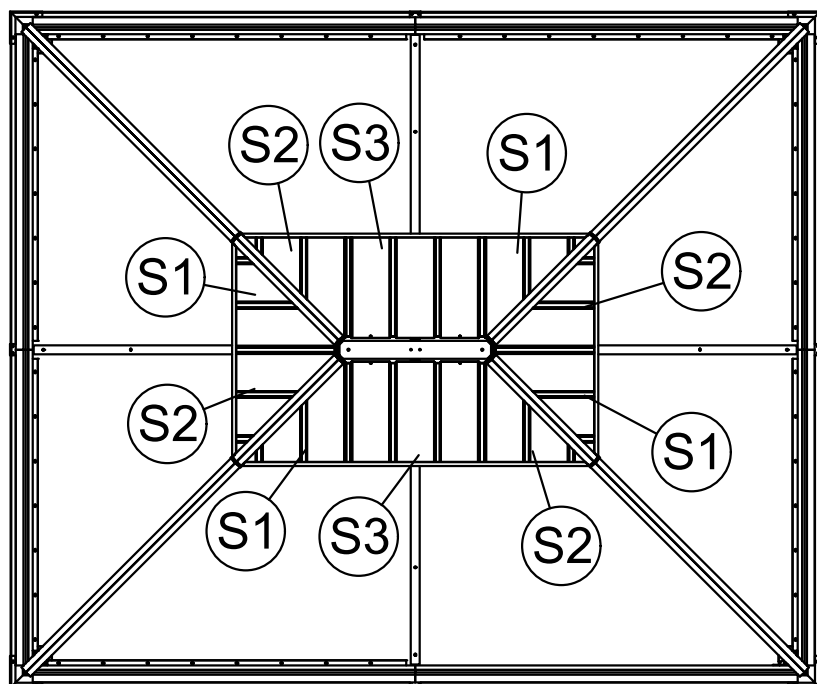
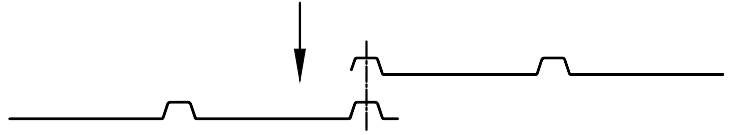
<9>



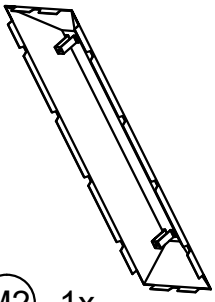
<10>



When installing the Roof plates (S2) onto the short side, pls detach the right end of the Roof Rib(G1) first. And then install the right end of Roof Rib (G1) again after S2 is installed.



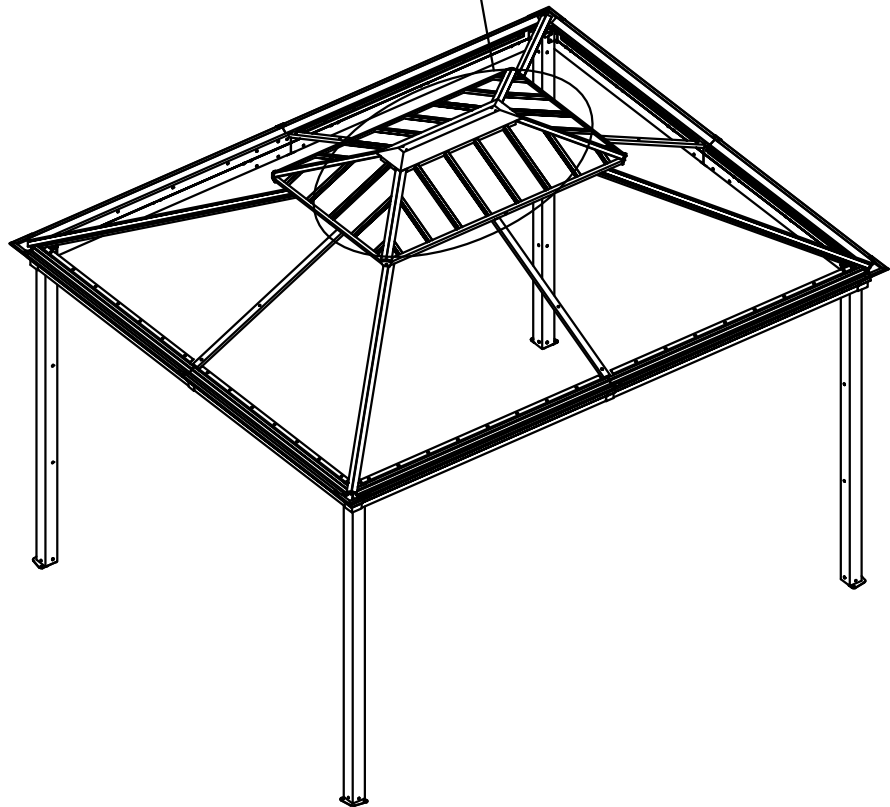
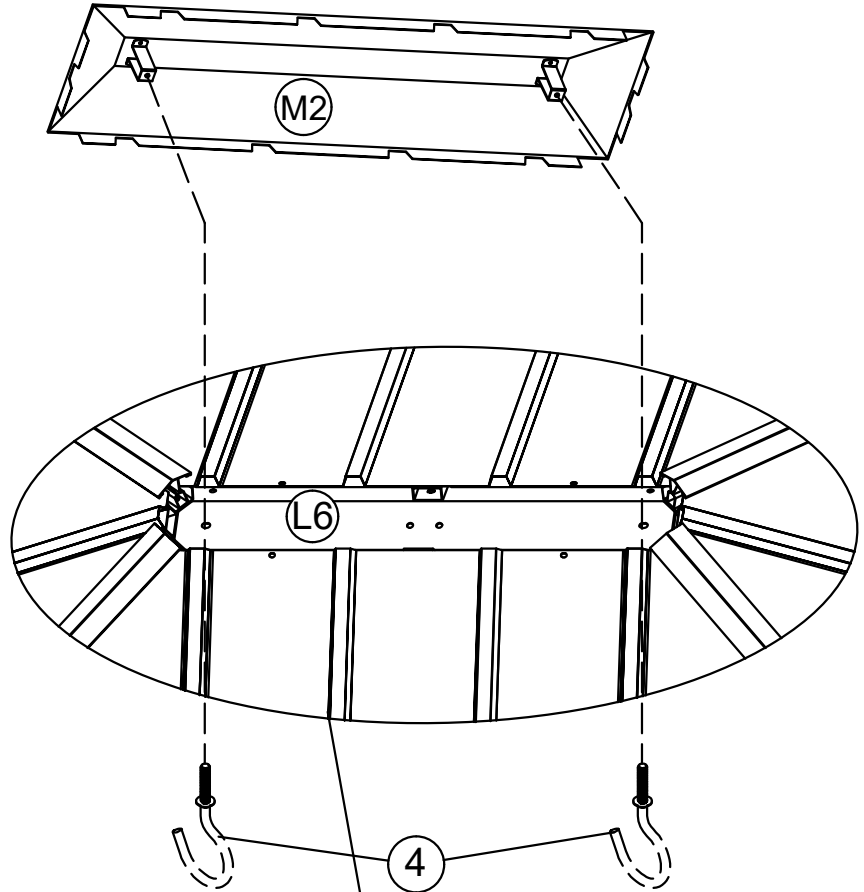
<11>



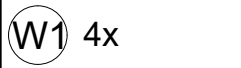
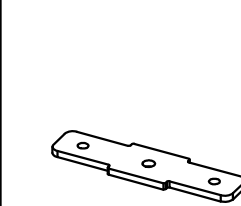
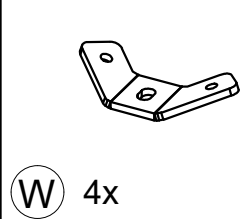
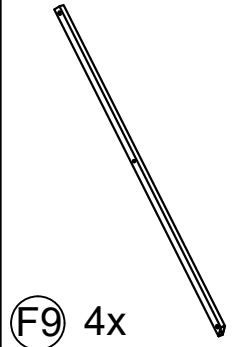
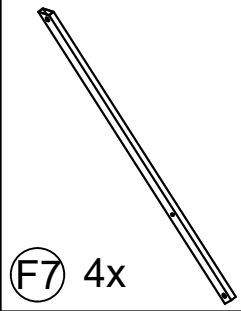
M2 1x



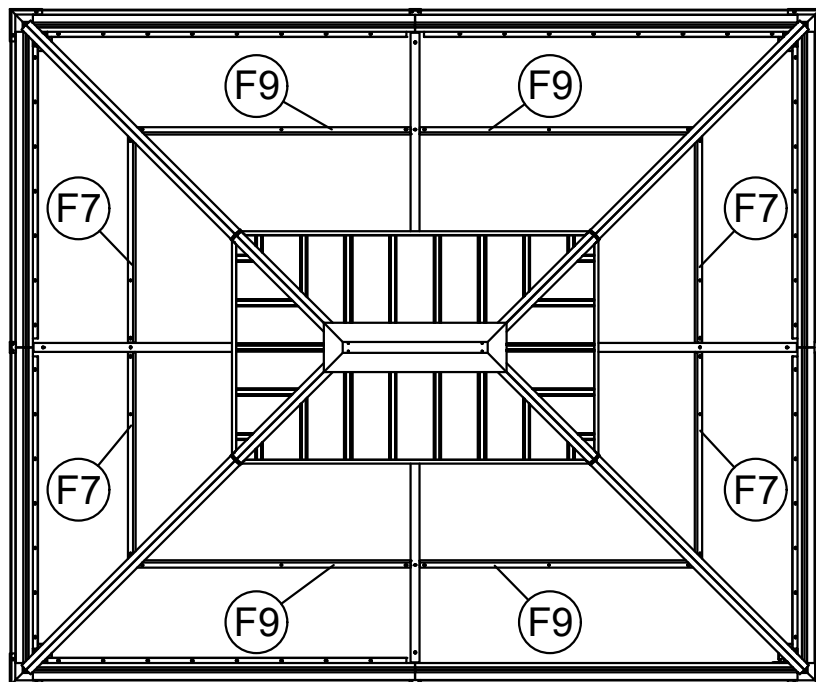
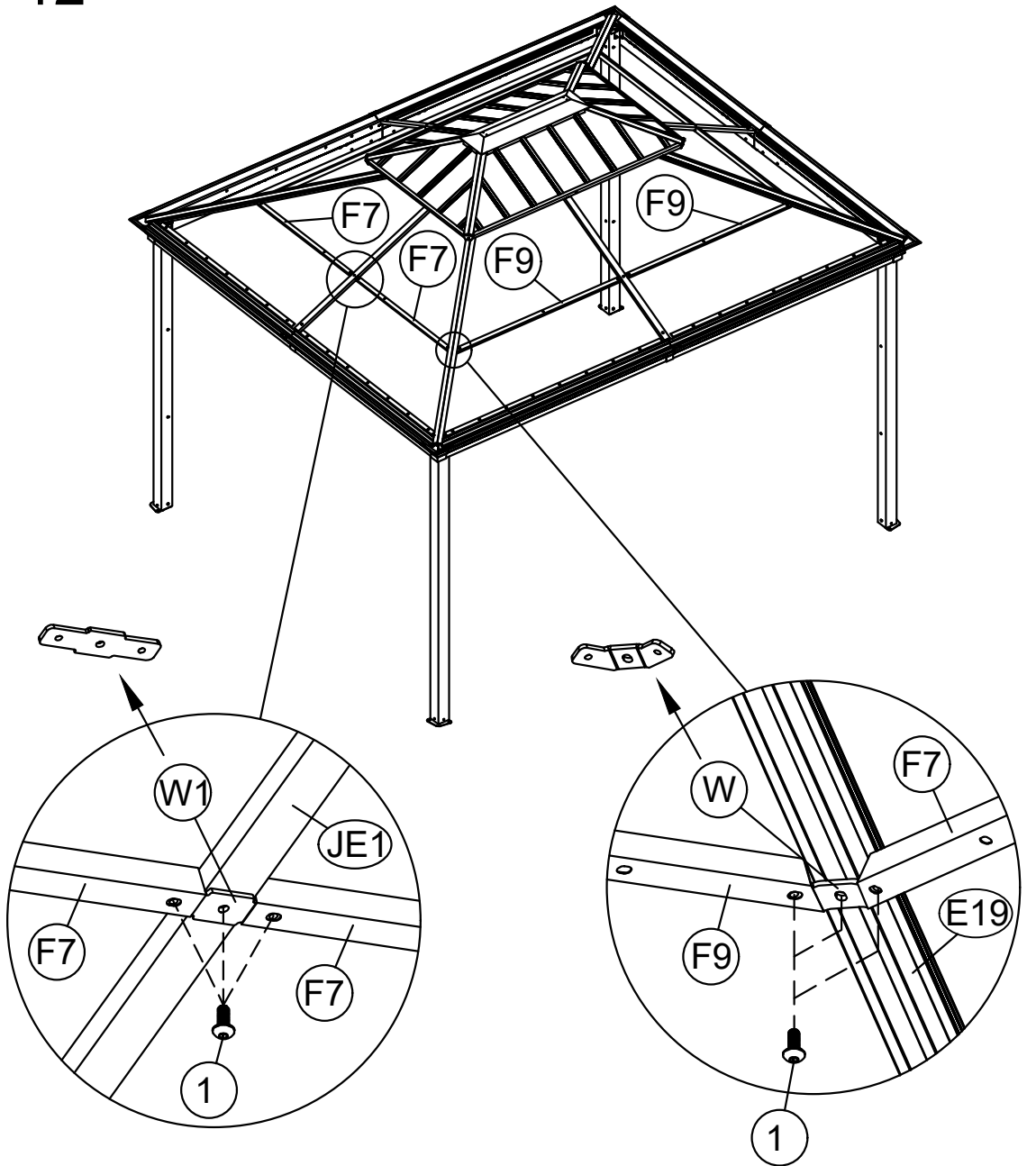
4 2x



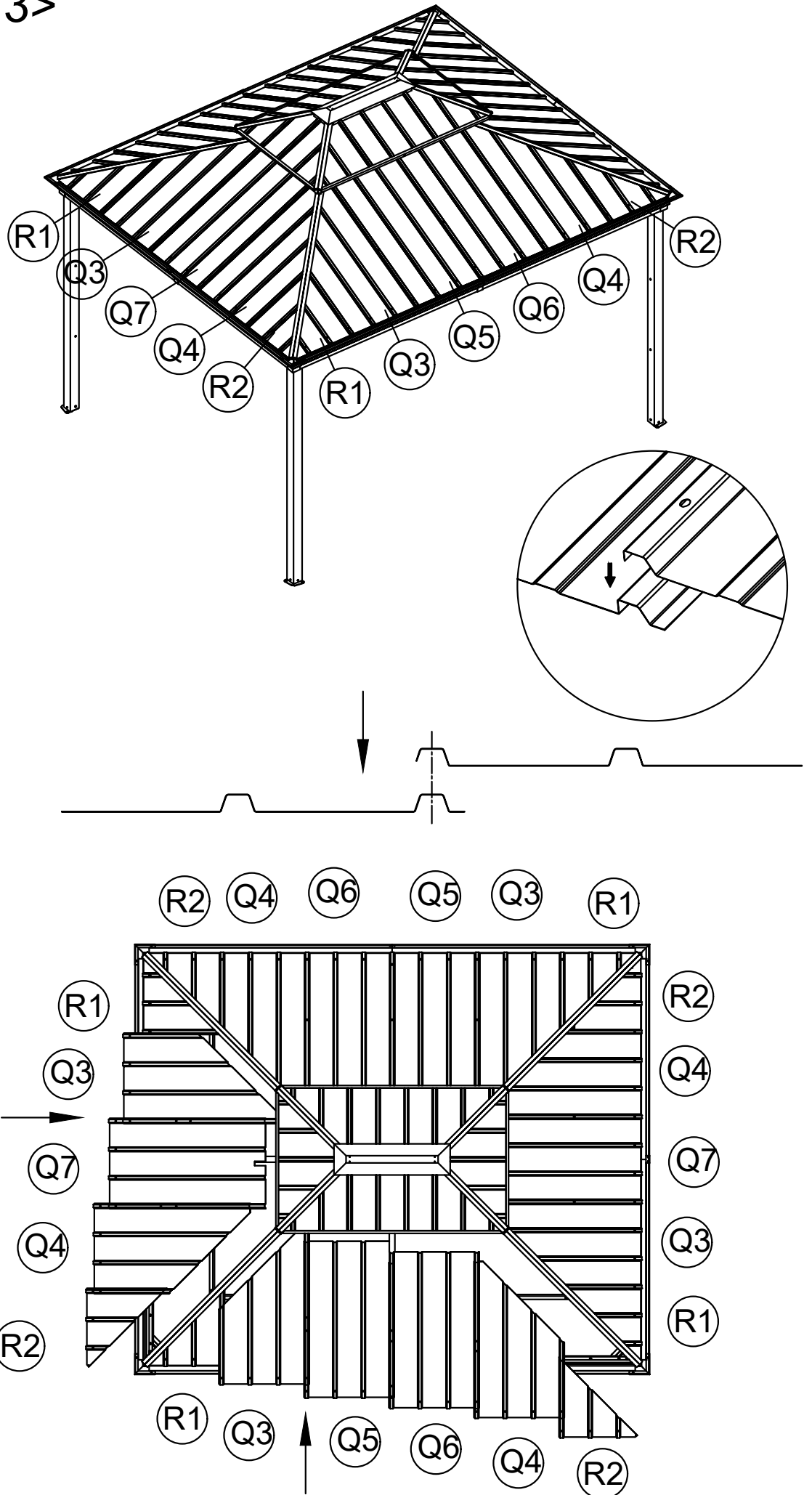
<12>



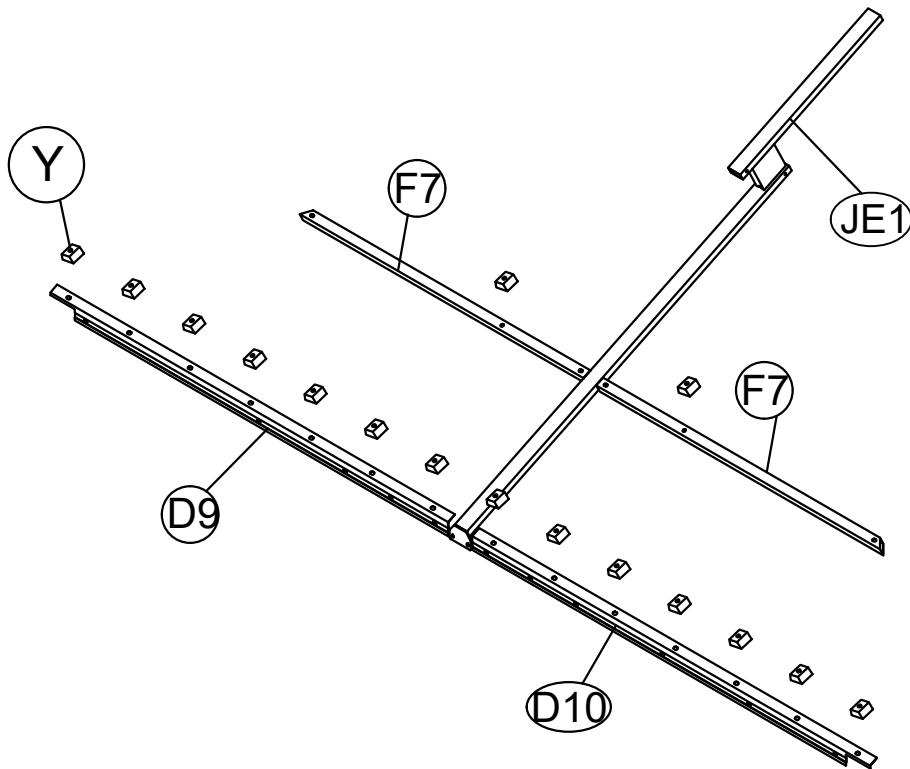
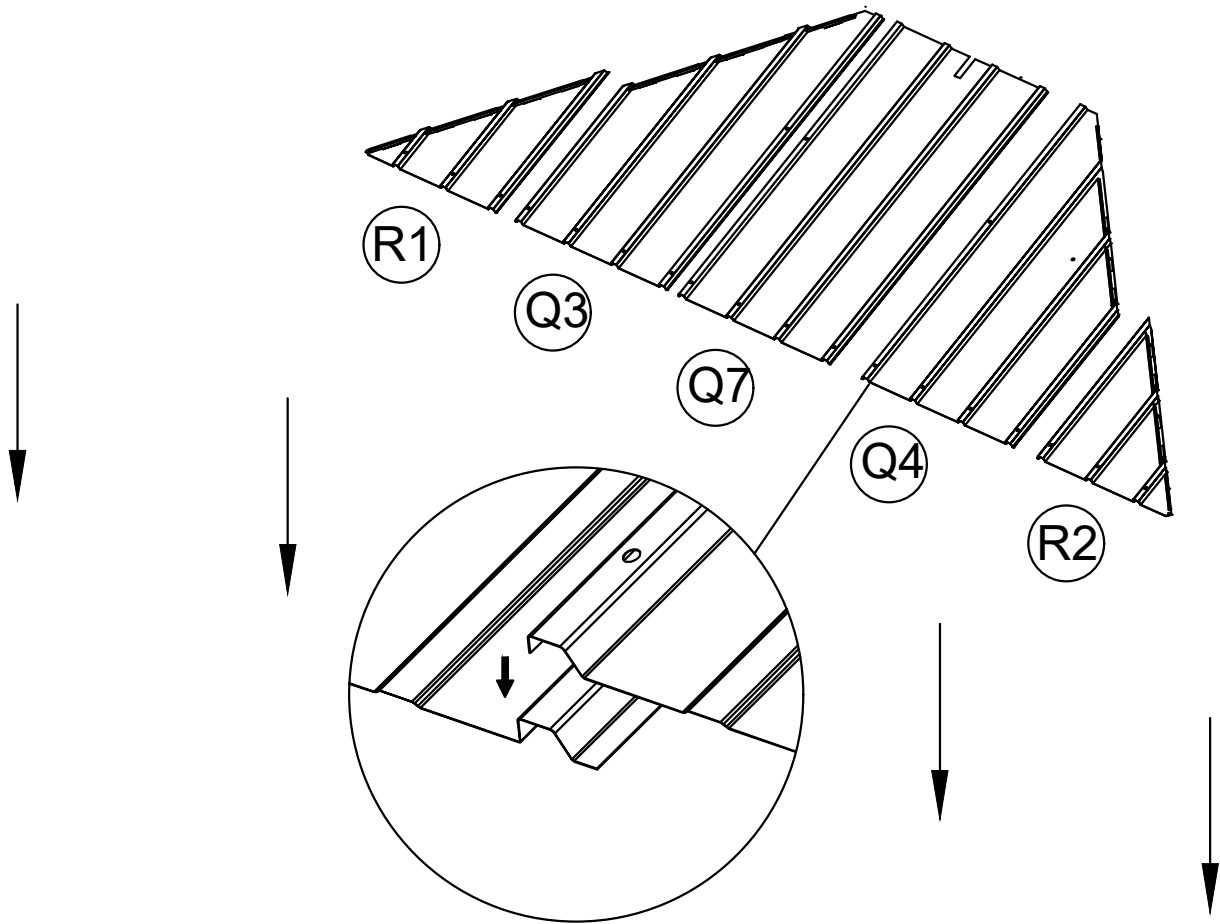
21



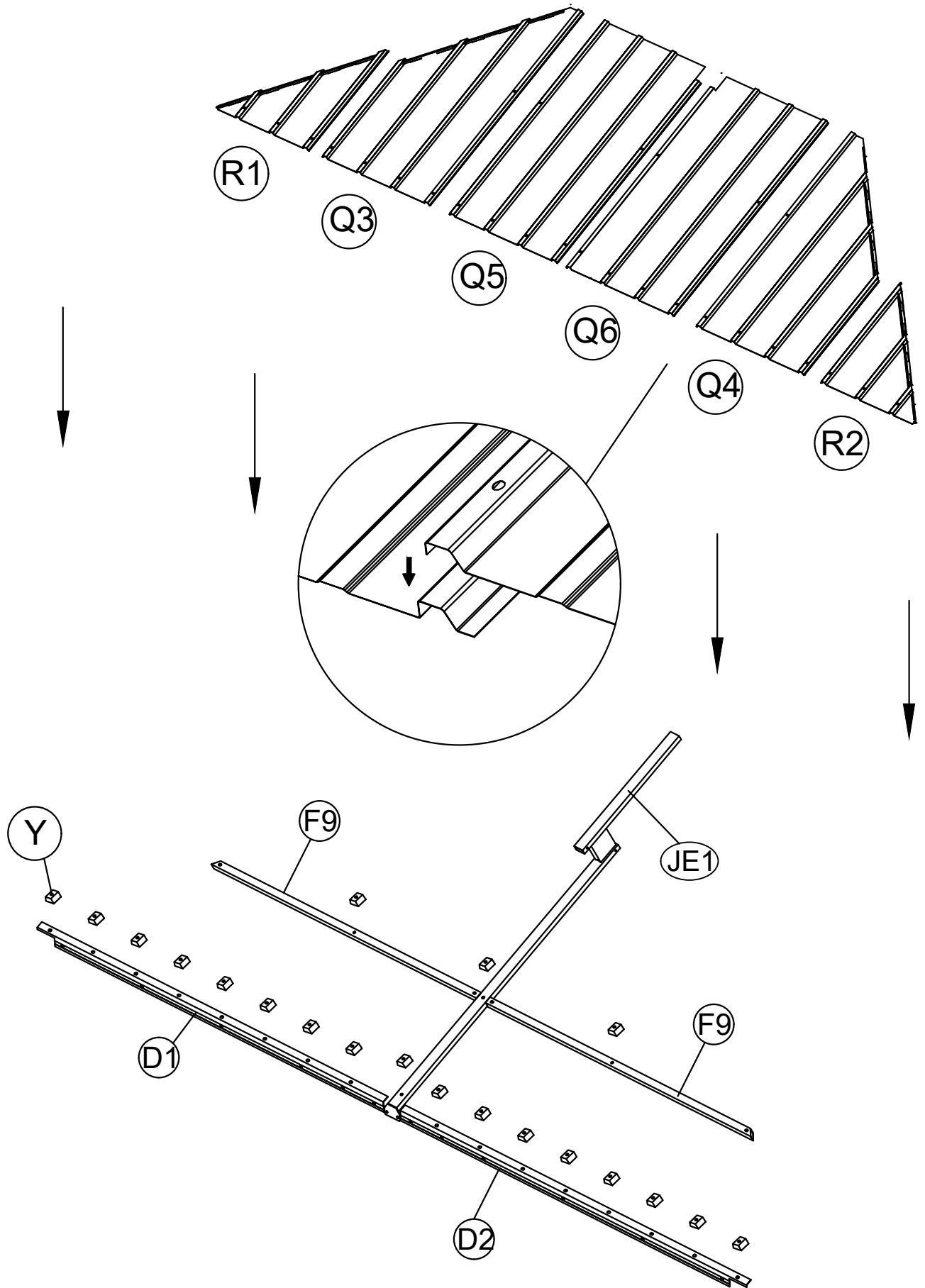
<13>



<14>



<15>

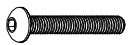


<16>



M6x25

2 64x



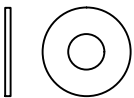
M6x50

5 8x



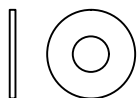
M6

10 68x



M6

19 72x

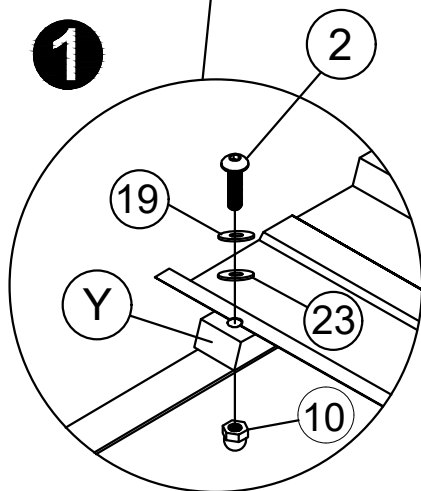
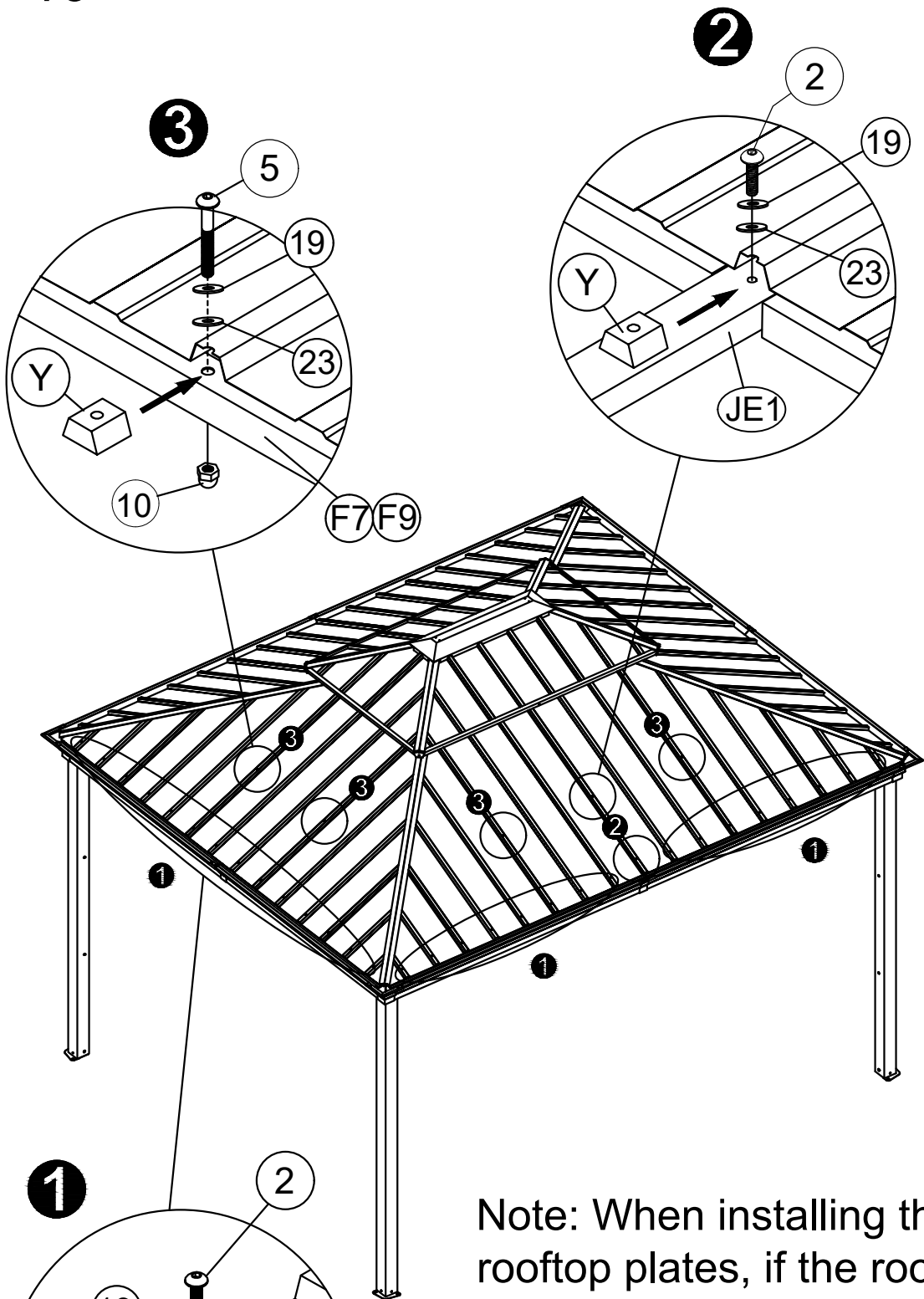


Rubber Gasket

23 72x

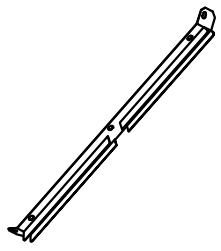


Y 72x

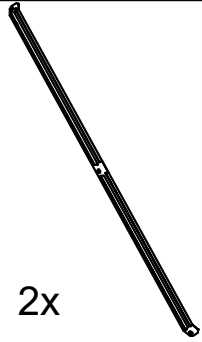


Note: When installing the rooftop plates, if the roof plates are slightly uneven, pls press the screws from the top of the plates until the bottom screw thread is exposed by 3 to 4mm, and then screw on the nut.

<17>



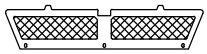
I1 2x



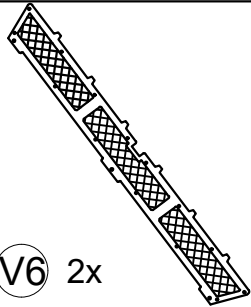
I9 2x



N 4x



V1 2x



V6 2x



M6x15

1 8x



M6x10

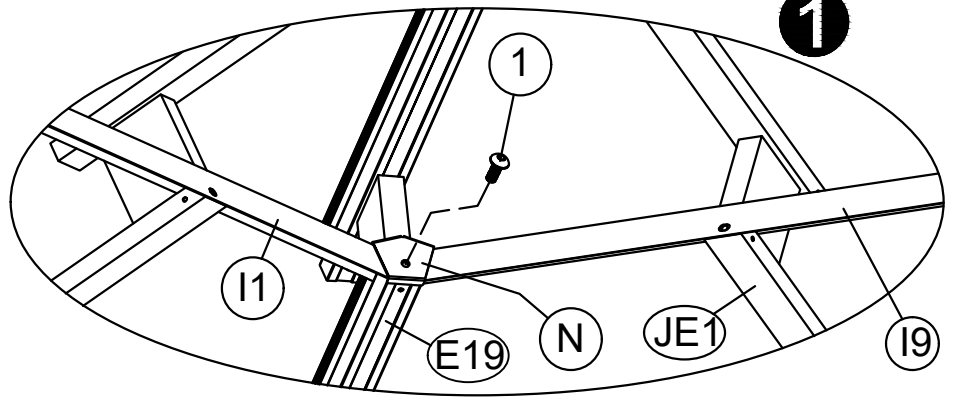
7 8x



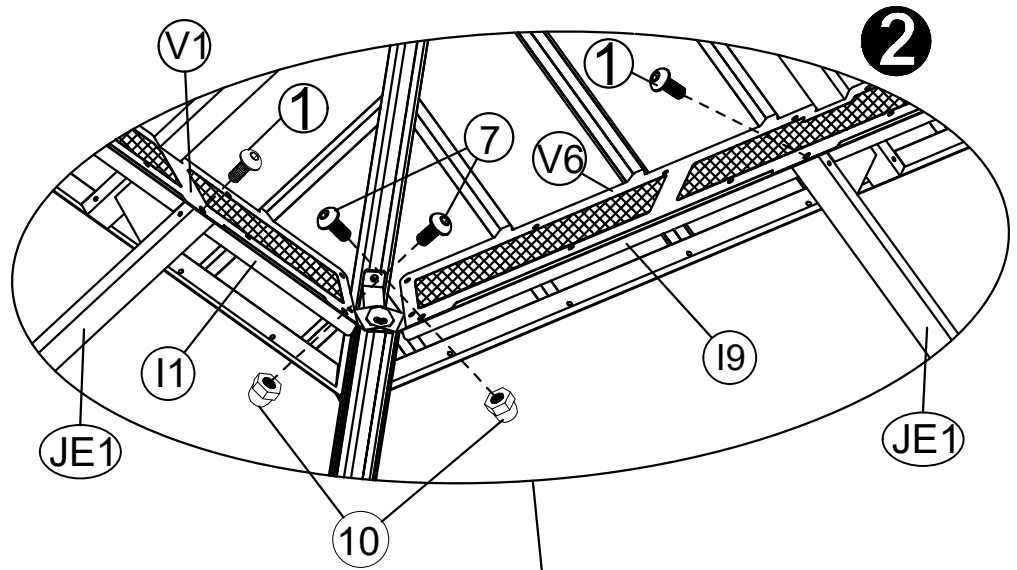
M6

10 8x

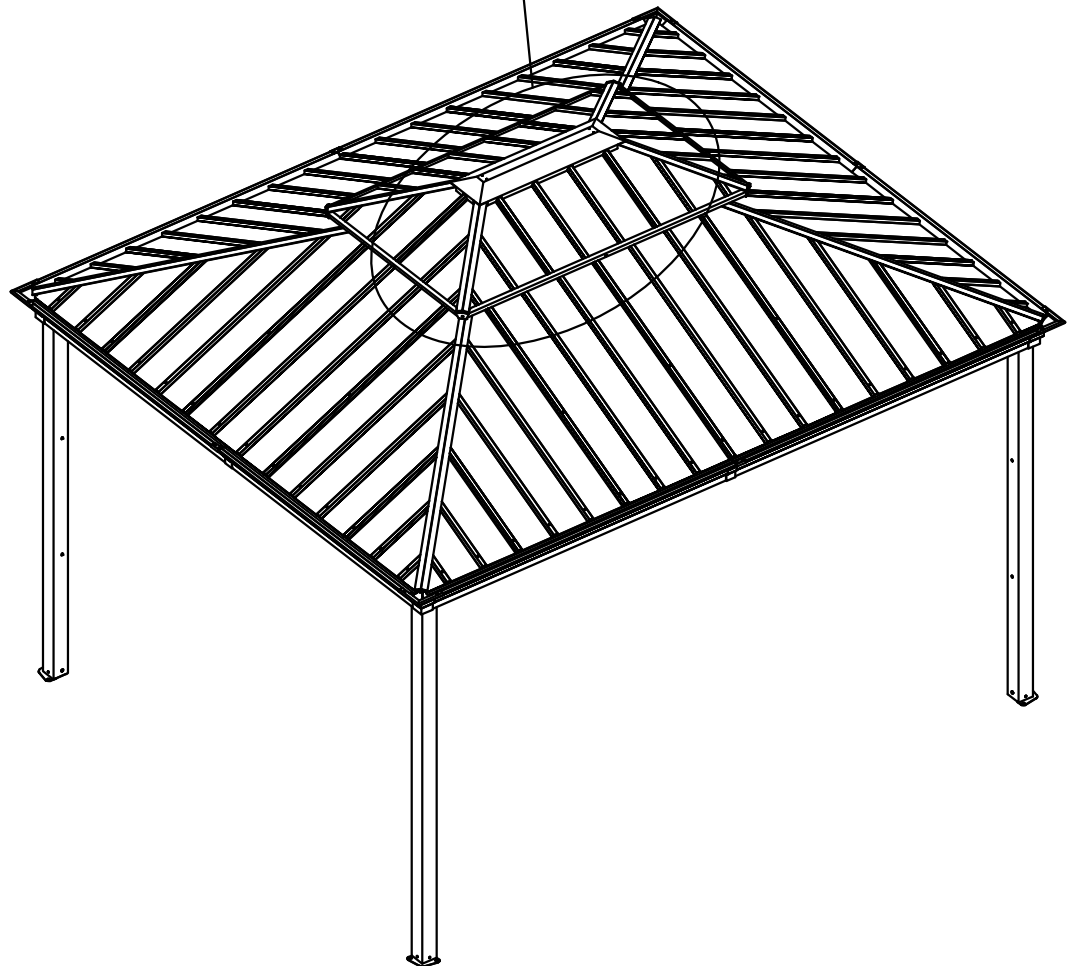
26



1



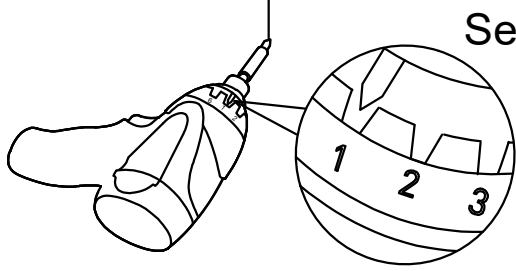
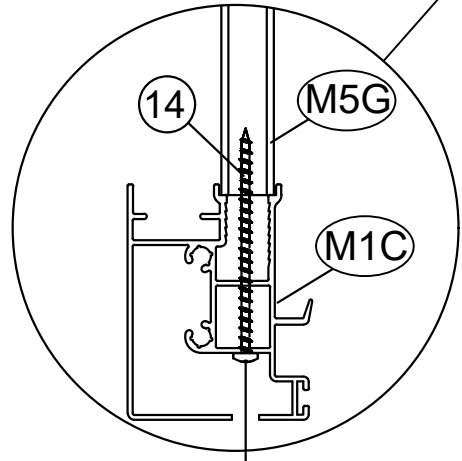
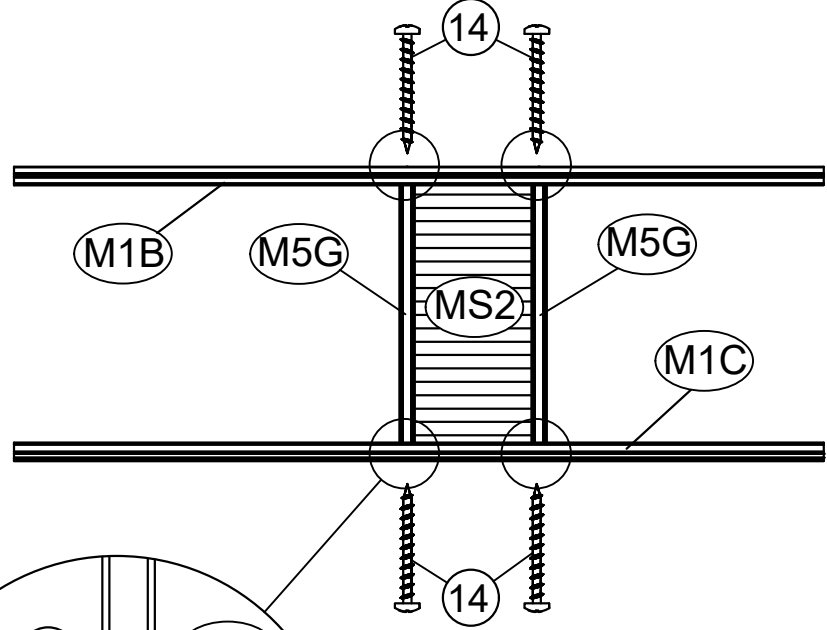
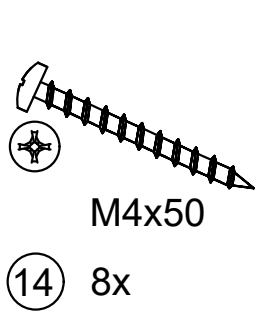
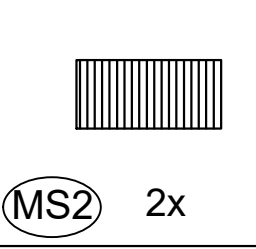
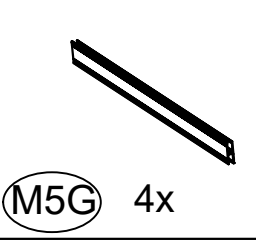
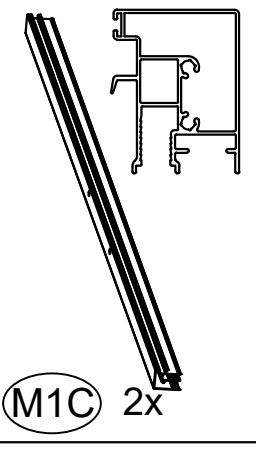
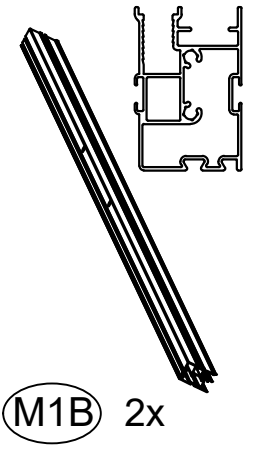
2



<18>

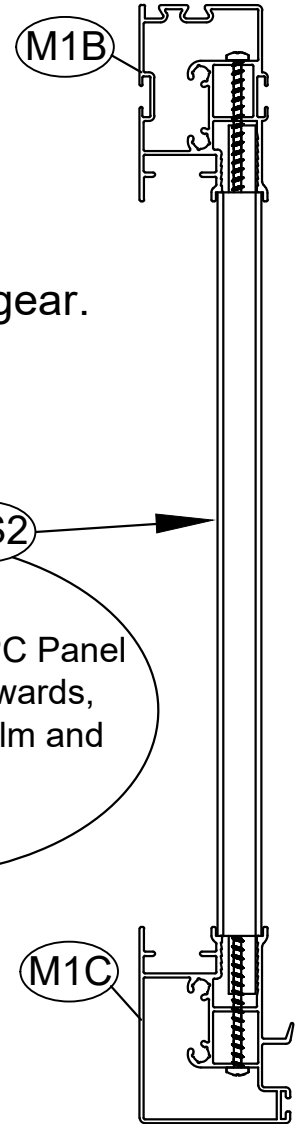
(AB) 2x

For component AB,
repeat two times.

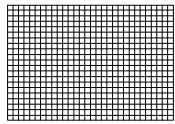


MS2

With the side of the PC Panel
with text facing outwards,
tear the protective film and
installing.



The door frame installation template
on pages 27 to 33 is displayed. All
subsequent door frames follow this
template.

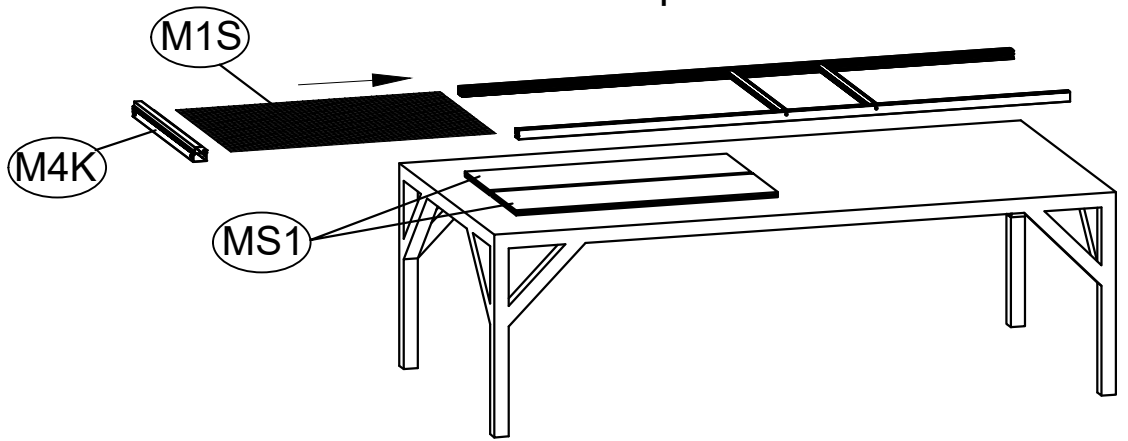


<19>

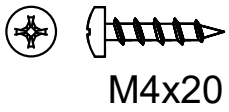
For component AB, repeat two times.

(AB) 2x

(M1S) 2x

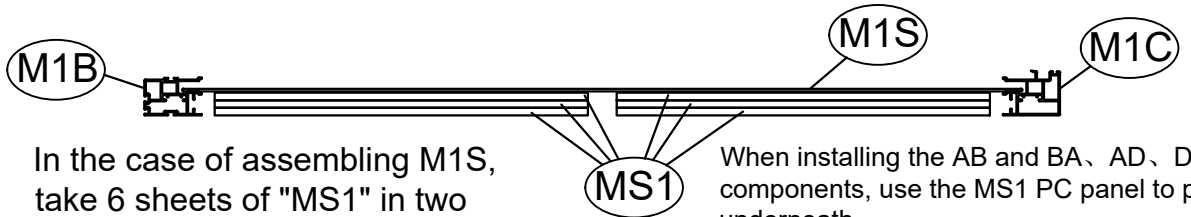


(M4K) 2x



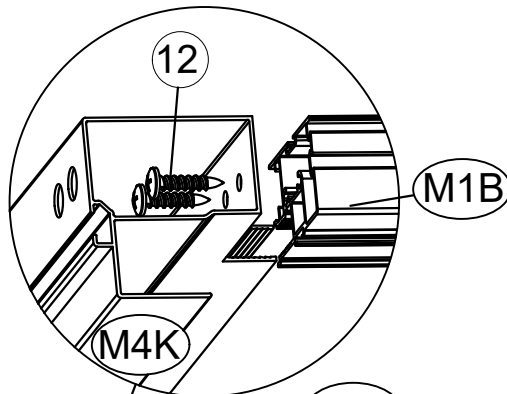
M4x20

(12) 8x

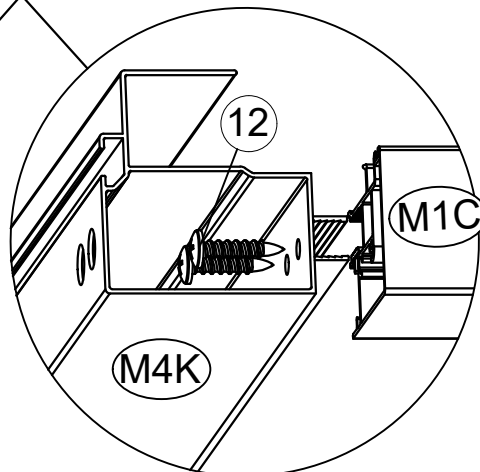
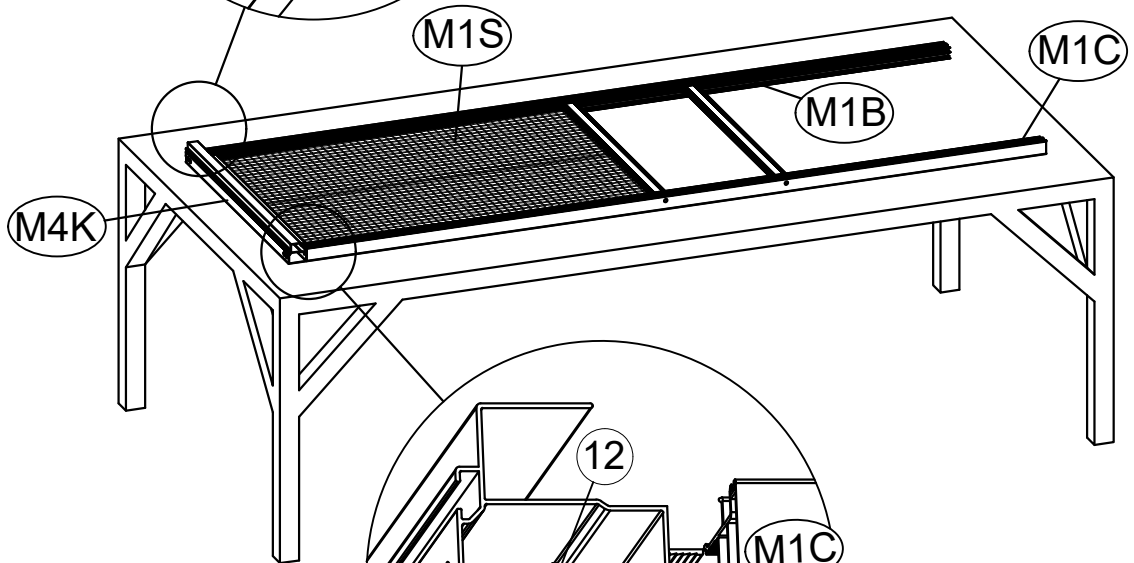


In the case of assembling M1S, take 6 sheets of "MS1" in two piles and stack the bottom, lift the "M1S".

When installing the AB and BA, AD, DA components, use the MS1 PC panel to pad underneath.
When installing the AC and CA, AE, EA components, use the MS5 PC panel to pad underneath.



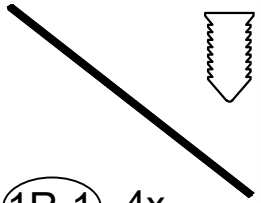
Please pay attention to the details.



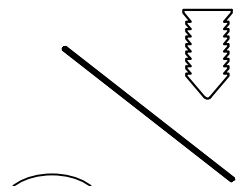
<20>

AB 2x

For component AB,
repeat two times.

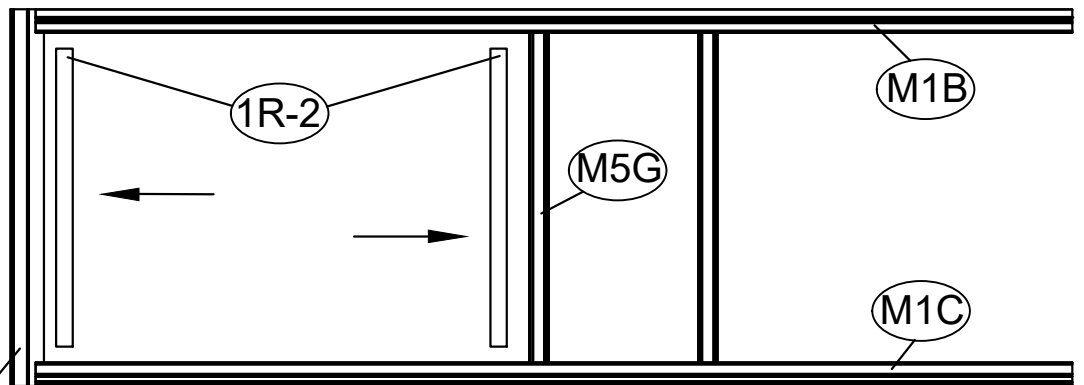
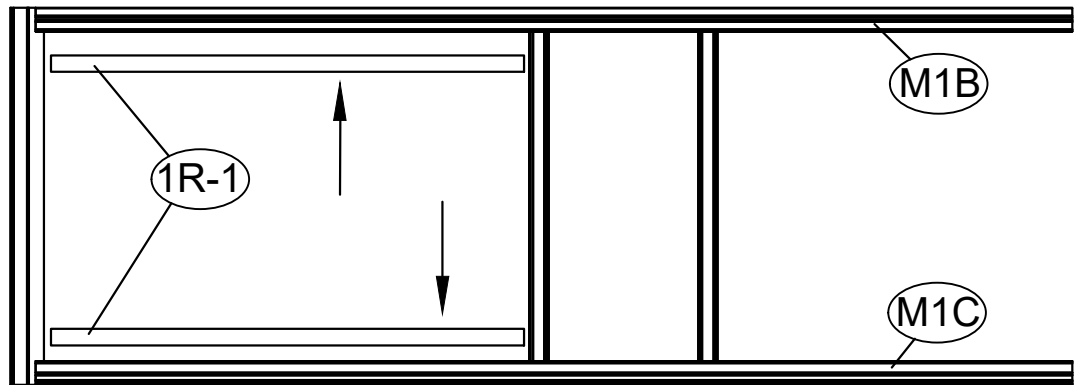


1R-1 4x



1R-2 4x

Before installing the parts (1R-1 and 1R-2), move the mesh by hand to ensure makes enough space around the mesh.



M4K

M1B

1R-2

M5G

M1B

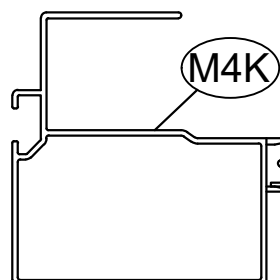
M1C

M1C

M1B

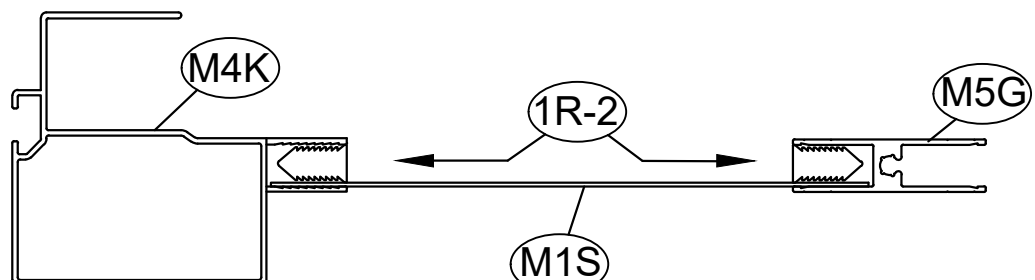
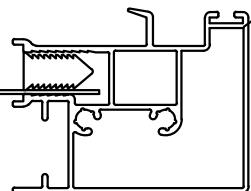
1R-1

M1S

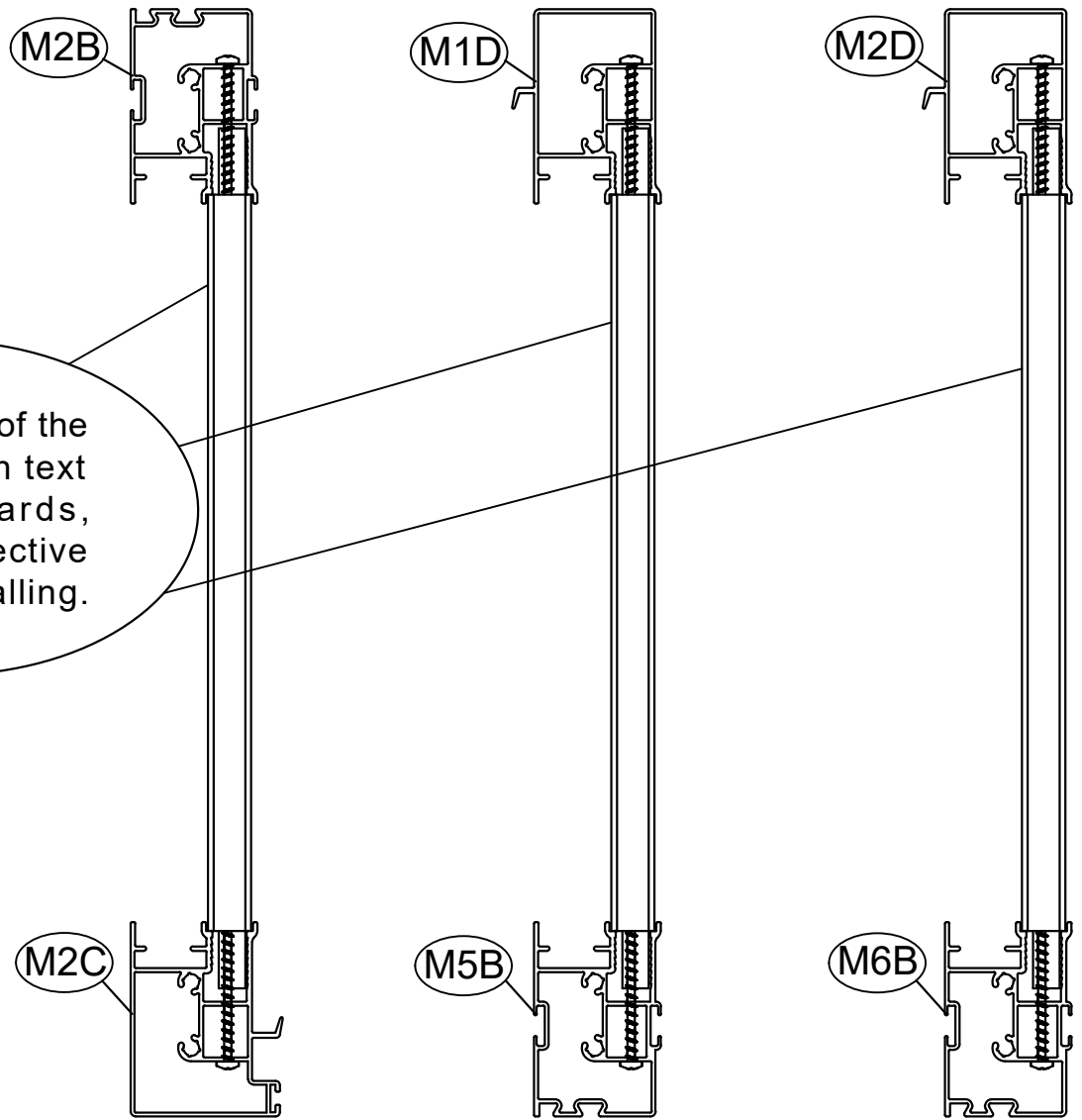


1R-2

M1S

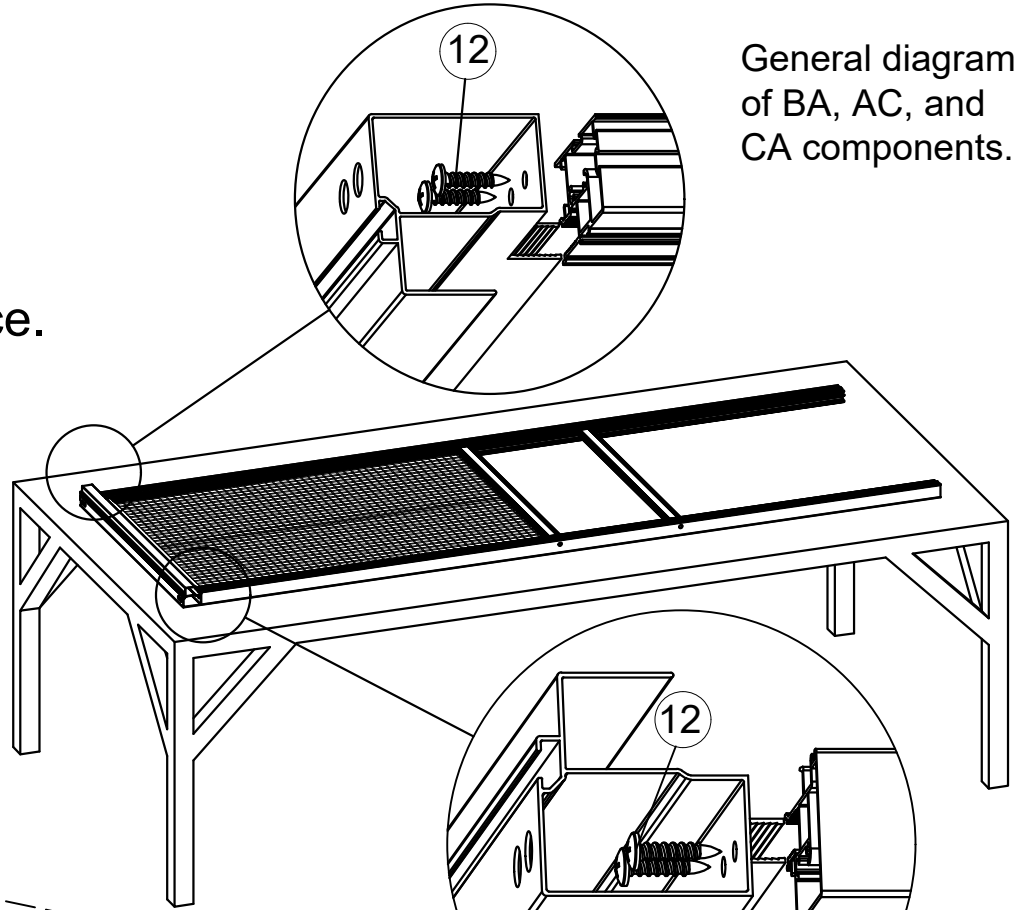


This diagram is for subsequent reference

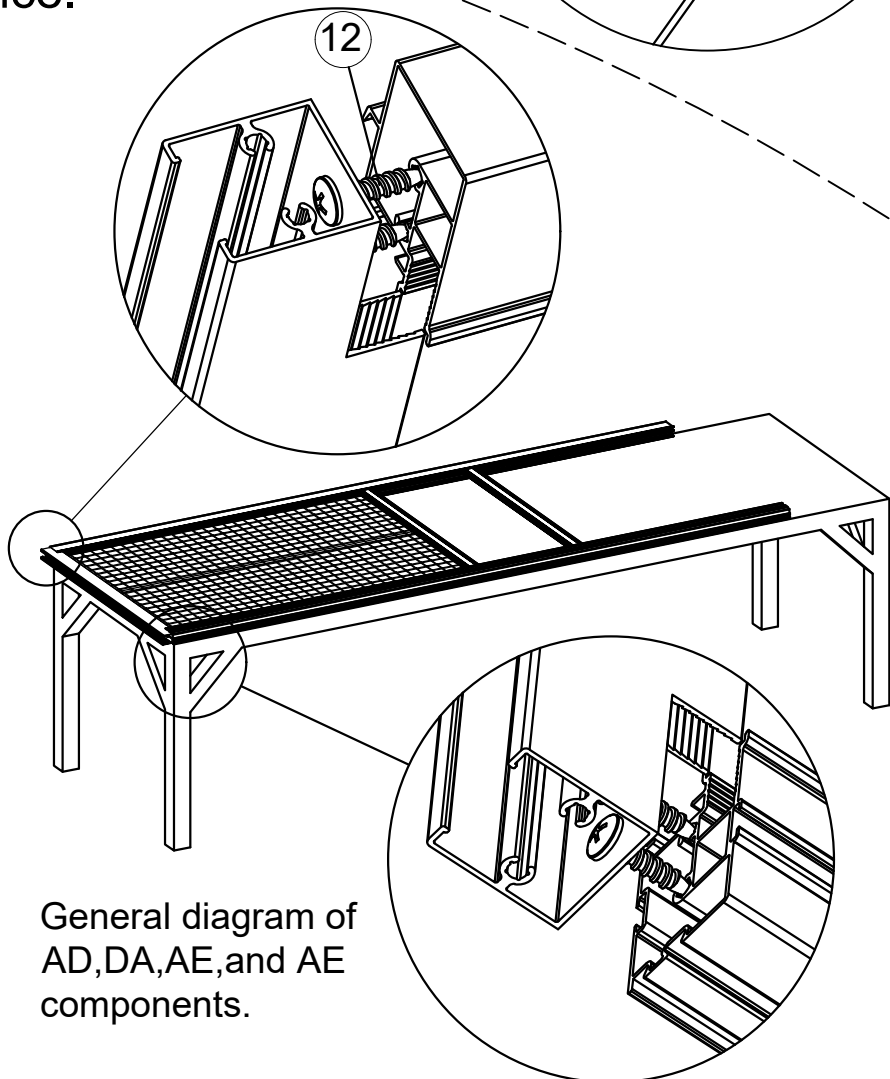


<22>

This diagram is for subsequent reference.



This diagram is for subsequent reference.

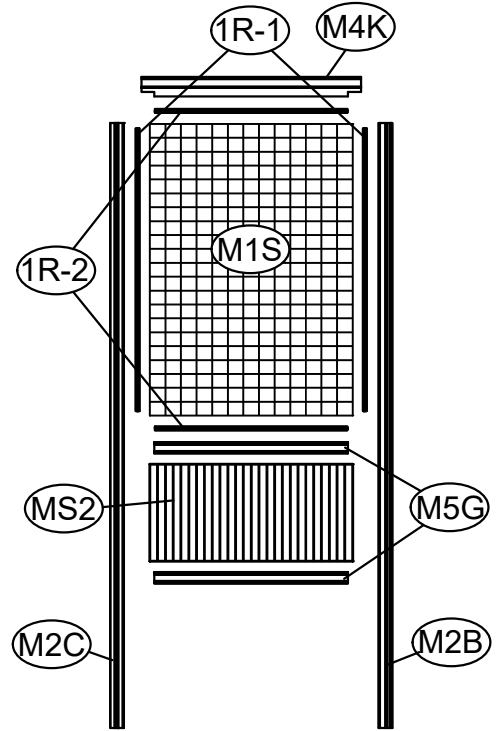


<23>

Install door frames BA, AC, CA, AD, DA, AE, and EA according to the instructions on pages 27 to 33

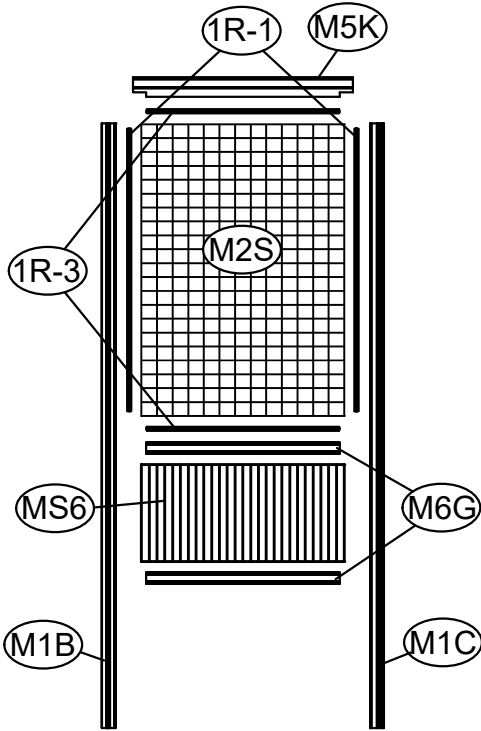
- (M4K) 2x
- (1R-1) 4x
- (1R-2) 4x
- (M5G) 4x
- (M1S) 2x
- (MS2) 2x
- (M2B) 2x
- (M2C) 2x
- (14) 8x
- (12) 8x

For component BA, repeat two times. (BA) 2x



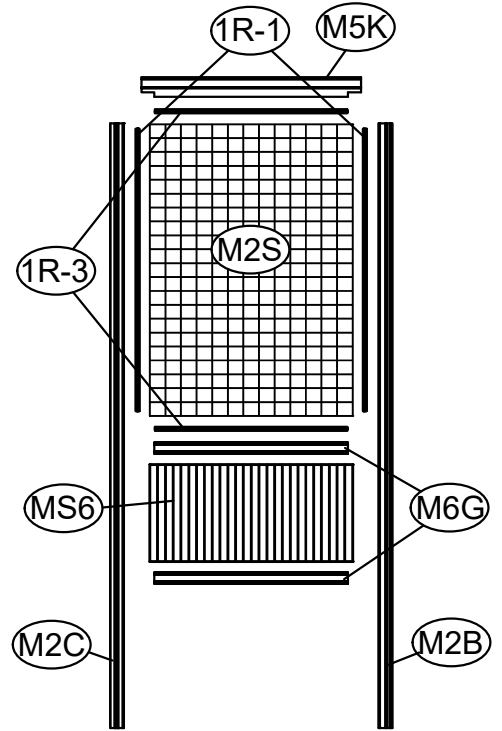
- (M5K) 2x
- (1R-1) 4x
- (1R-3) 4x
- (M6G) 4x
- (M2S) 2x
- (MS6) 2x
- (M1B) 2x
- (M1C) 2x
- (14) 8x
- (12) 8x

For component AC, repeat two times. (AC) 2x



- (M5K) 2x
- (1R-1) 4x
- (1R-3) 4x
- (M6G) 4x
- (M2S) 2x
- (MS6) 2x
- (M2B) 2x
- (M2C) 2x
- (14) 8x
- (12) 8x

For component CA, repeat two times. (CA) 2x



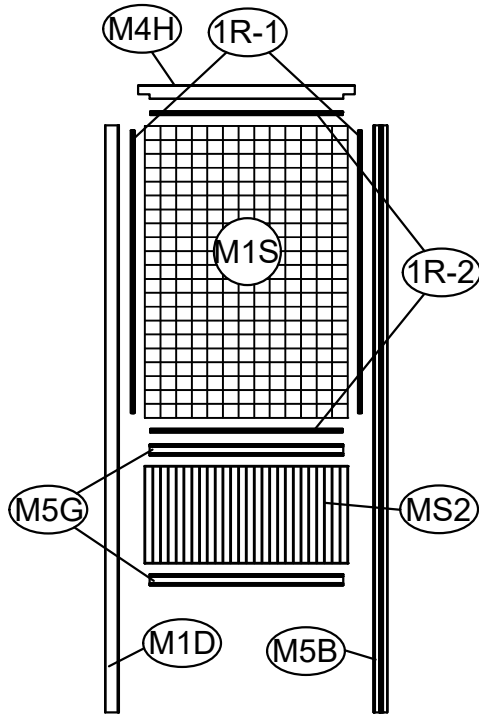
Component AB is symmetric to BA, and AC is symmetric to CA.

- (M4H) 2x
- (1R-1) 4x
- (1R-2) 4x
- (M5G) 4x
- (M1S) 2x
- (MS2) 2x
- (M5B) 2x
- (M1D) 2x
- (14) 8x
- (12) 8x

<24>

(AD) 2x

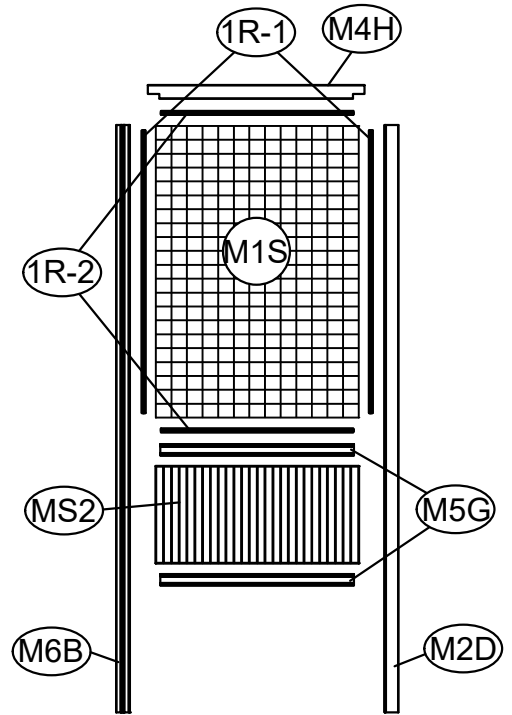
For component AD,
repeat two times.



- (M4H) 2x
- (1R-1) 4x
- (1R-2) 4x
- (M5G) 4x
- (M1S) 2x
- (MS2) 2x
- (M6B) 2x
- (M2D) 2x
- (14) 8x
- (12) 8x

For component DA,
repeat two times.

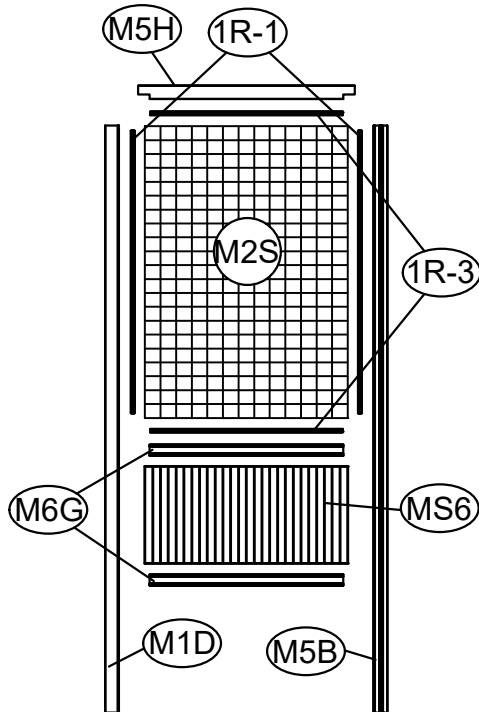
(DA) 2x



- (M5H) 2x
- (1R-1) 4x
- (1R-3) 4x
- (M6G) 4x
- (M2S) 2x
- (MS6) 2x
- (M5B) 2x
- (M1D) 2x
- (14) 8x
- (12) 8x

For component AE,
repeat two times.

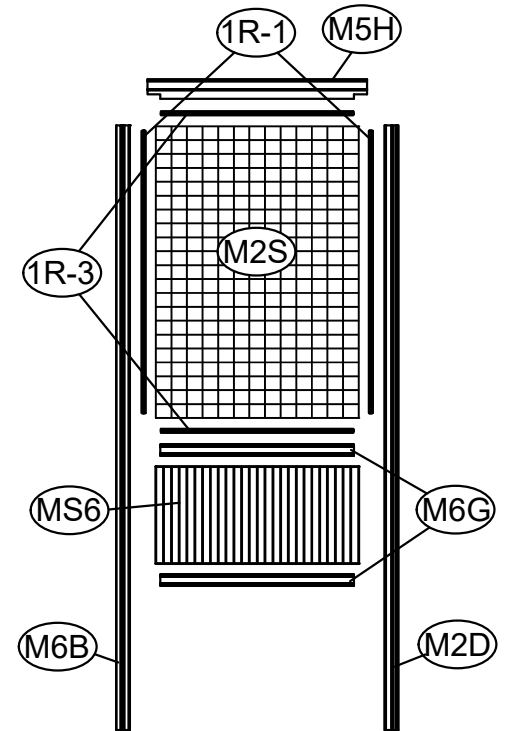
(AE) 2x



- (M5H) 2x
- (1R-1) 4x
- (1R-3) 4x
- (M6G) 4x
- (M2S) 2x
- (MS6) 2x
- (M6B) 2x
- (M2D) 2x
- (14) 8x
- (12) 8x

For component EA,
repeat two times.

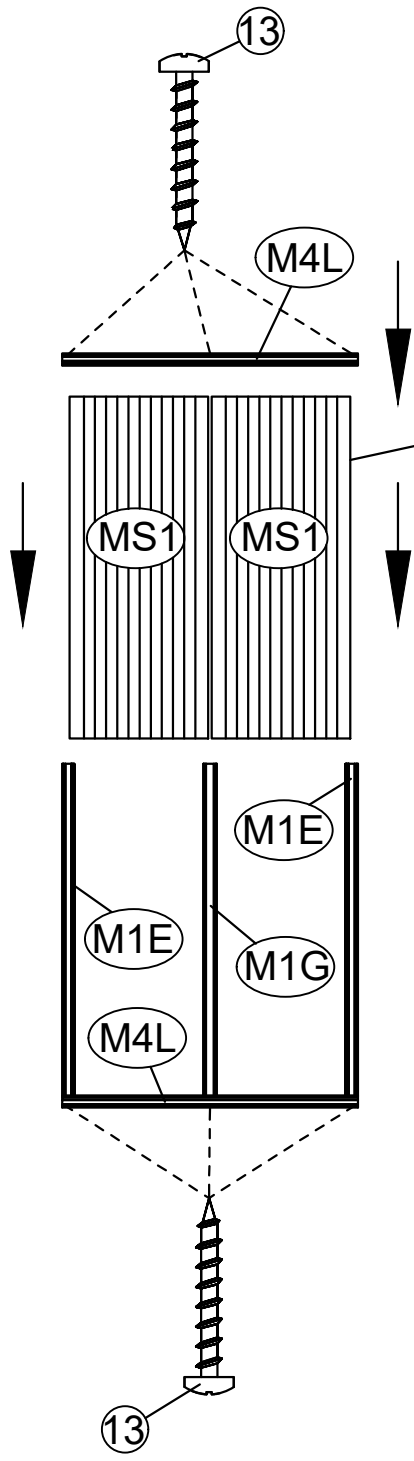
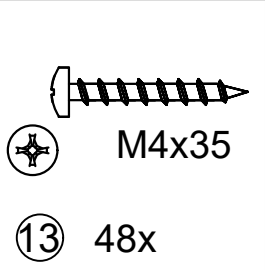
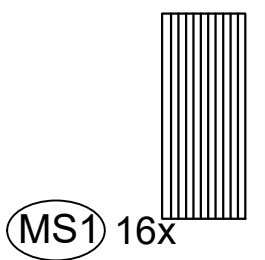
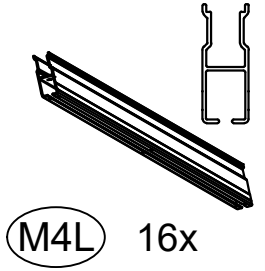
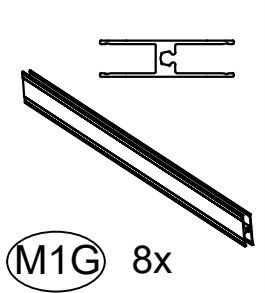
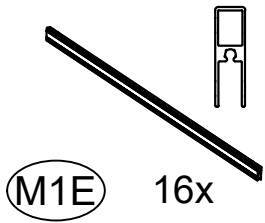
(EA) 2x



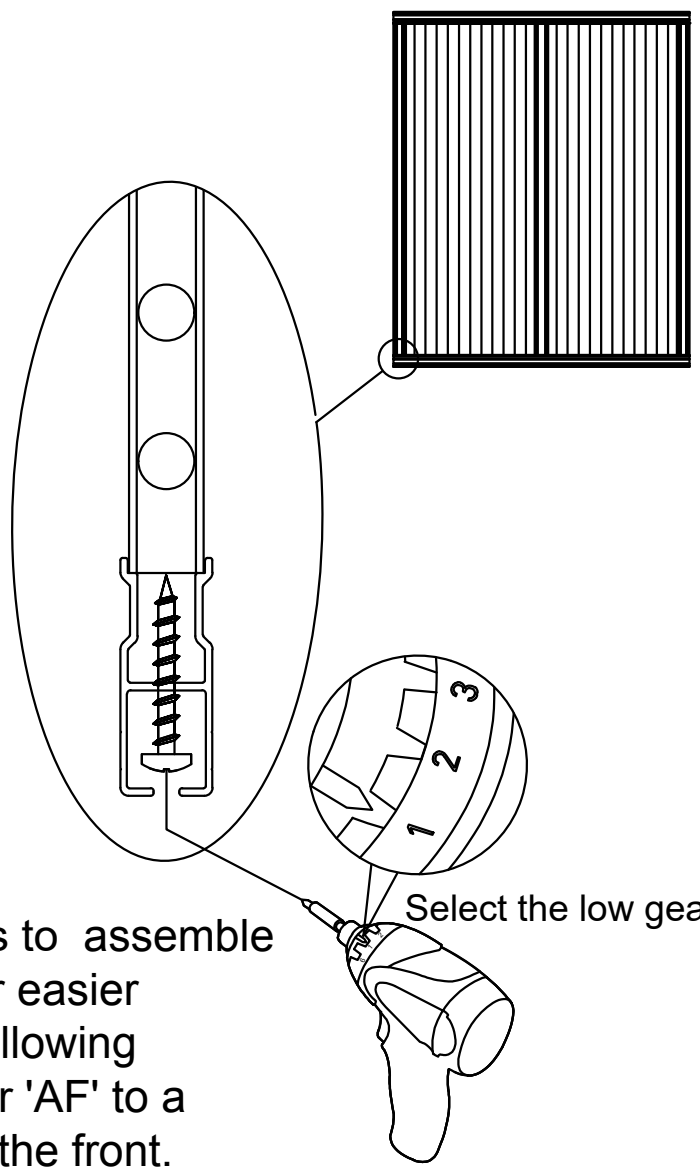
<25>

For component AF, repeat eight times.

AF 8x

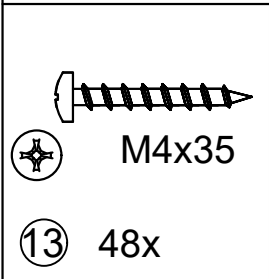
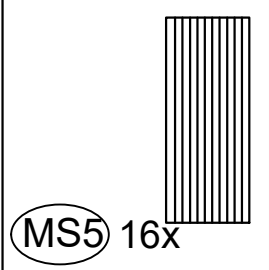
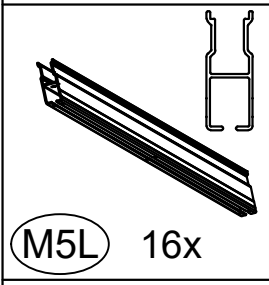
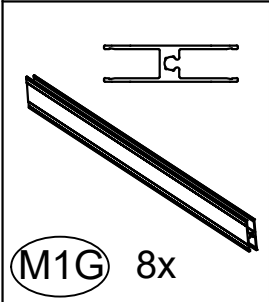
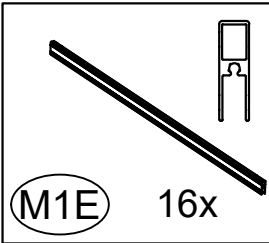


With the side of the PC panel with the text facing outward, tear off the protective film and installing. After installation, be sure to leave the front side unchanged for the next step.



Repeat the previous steps to assemble eight AF components. For easier identification during the following assembly, attach the letter 'AF' to a clearly visible position on the front.

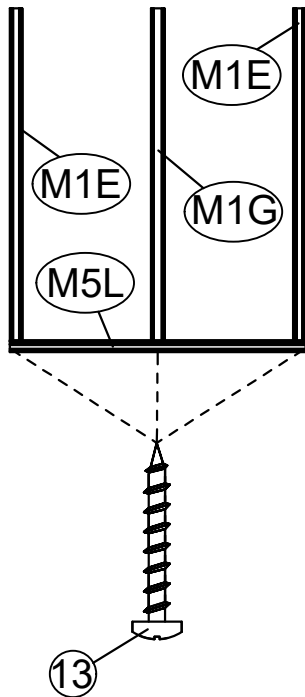
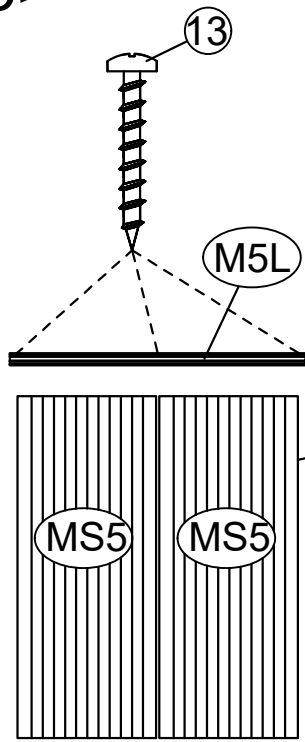
Select the low gear.



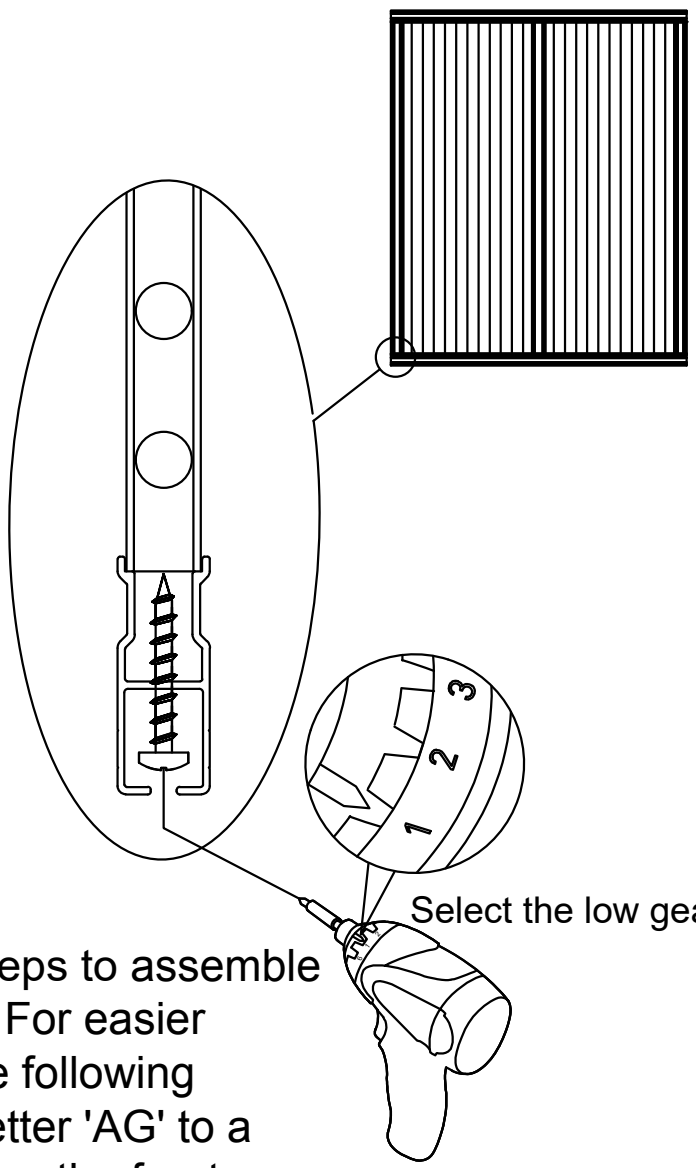
<26>

For component AG, repeat eight times.

AG 8x

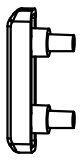


With the side of the PC panel with the text facing outward, tear off the protective film and installing. After installation, be sure to leave the front side unchanged for the next step.



Repeat the previous steps to assemble eight AG components. For easier identification during the following assembly, attach the letter 'AG' to a clearly visible position on the front.

Select the low gear.



<27>

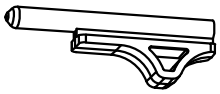
AF 8x

AG 8x

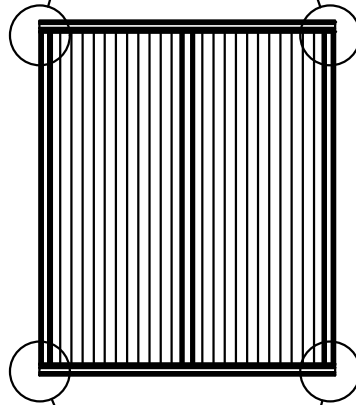
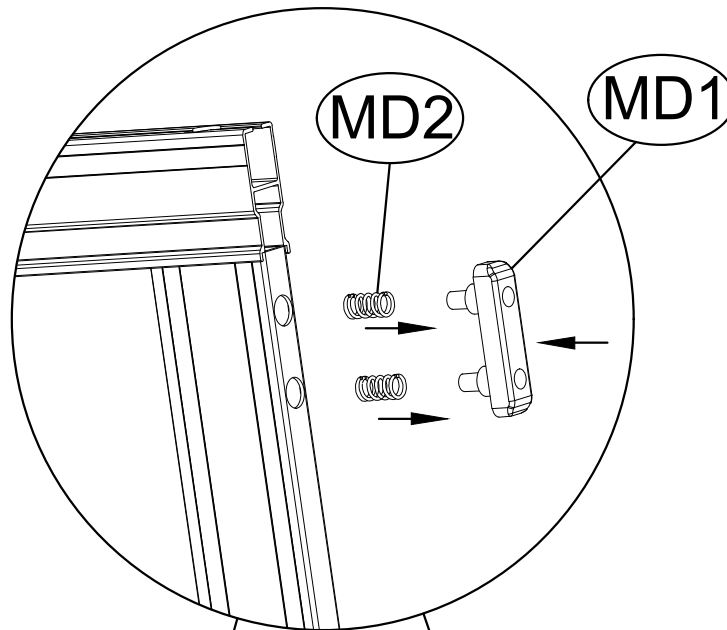
MD1 64x



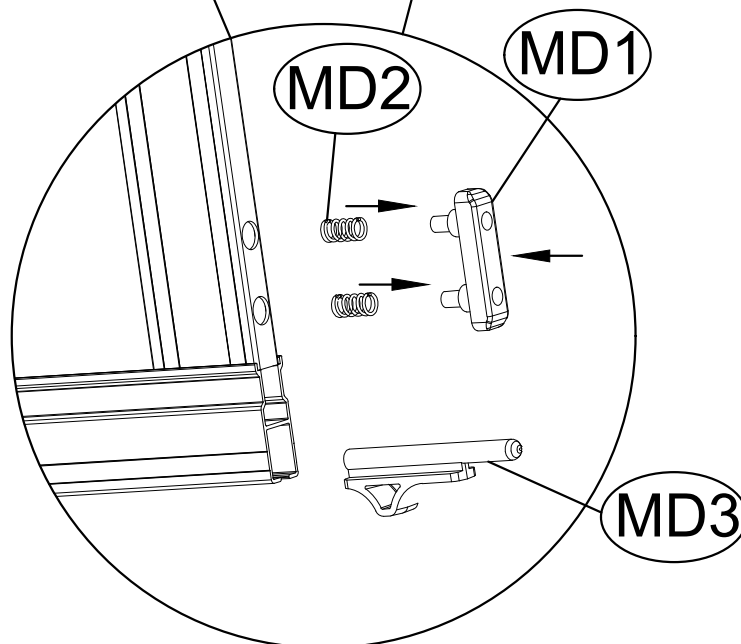
MD2 128x



MD3 32x

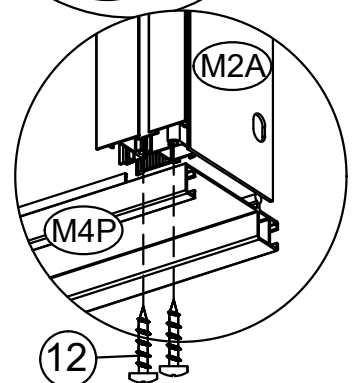
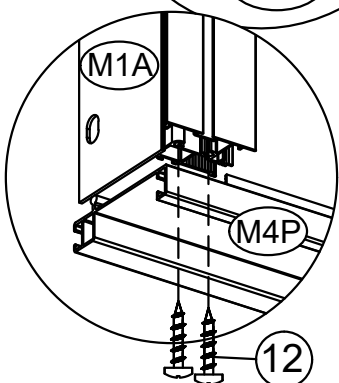
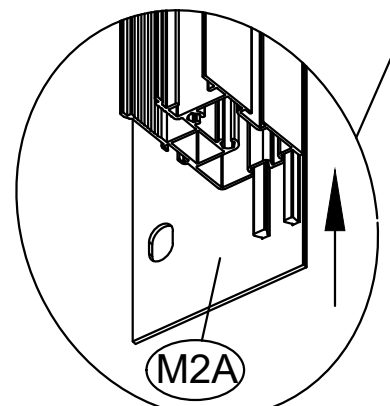
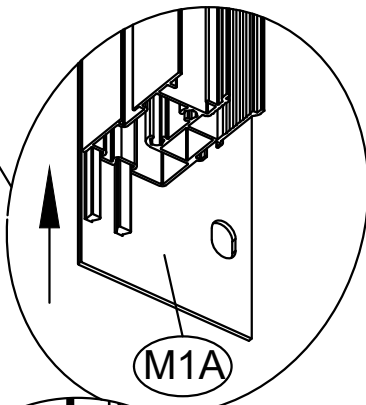
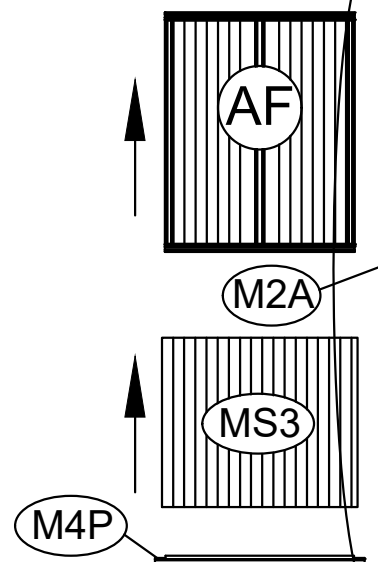
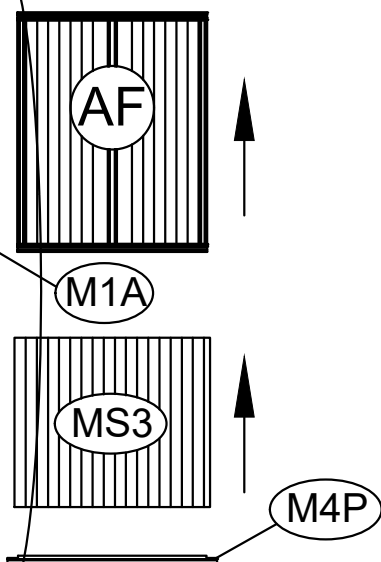
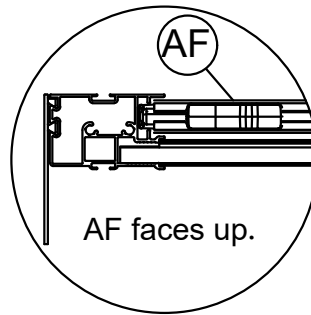
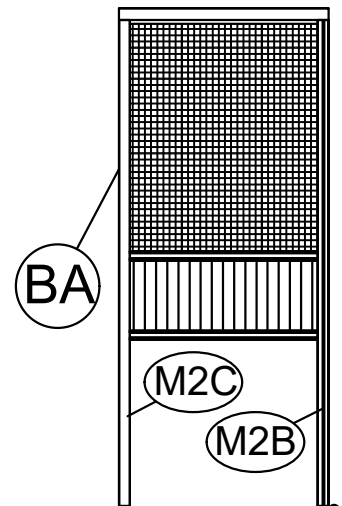
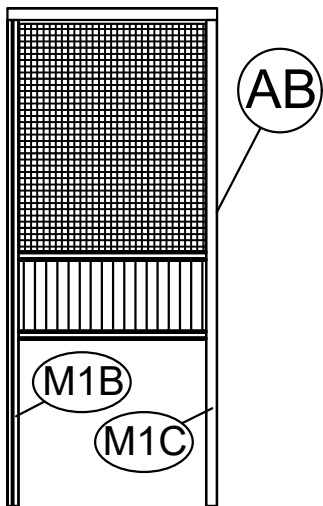
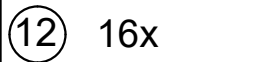
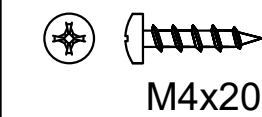
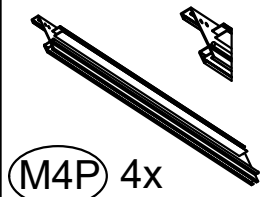
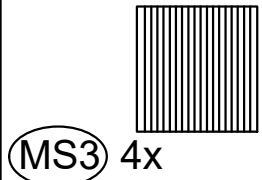
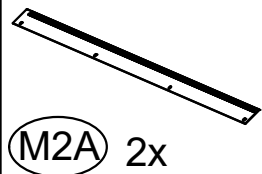
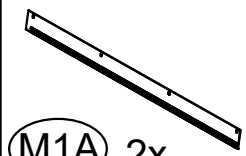


It is recommended that this step be assembled along with next step together.



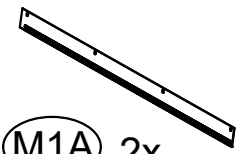
<28>

(AB) 2x (BA) 2X



<29>

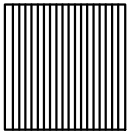
AC 2x CA 2X



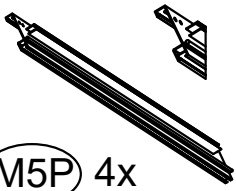
M1A 2x



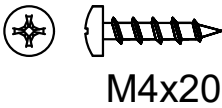
M2A 2x



MS7 4x

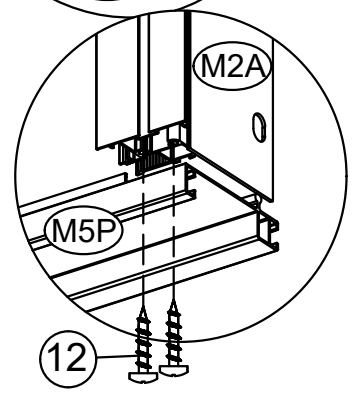
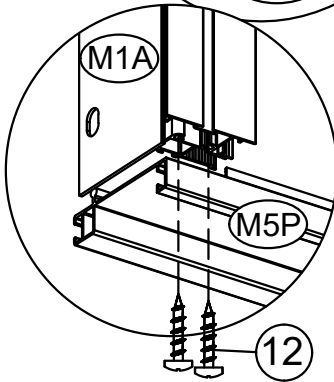
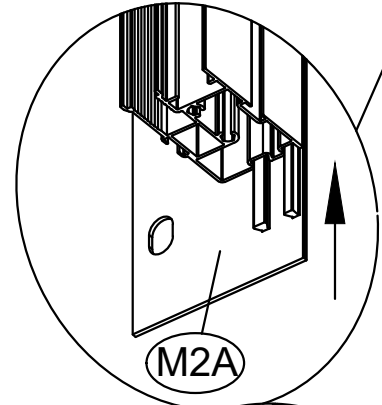
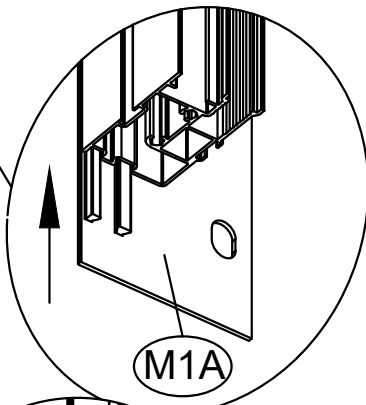
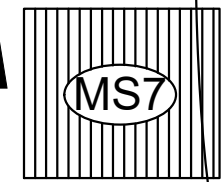
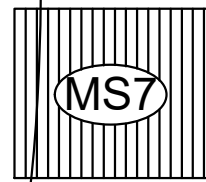
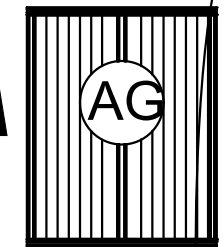
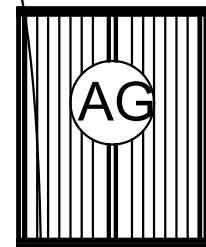
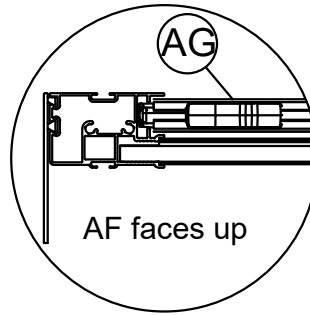
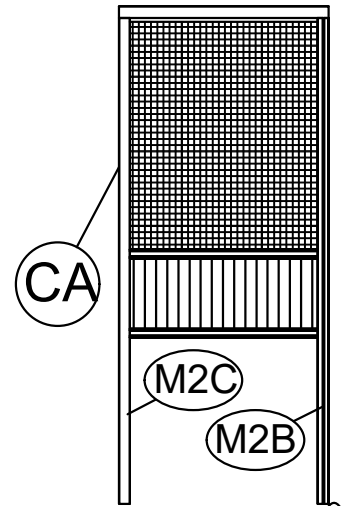
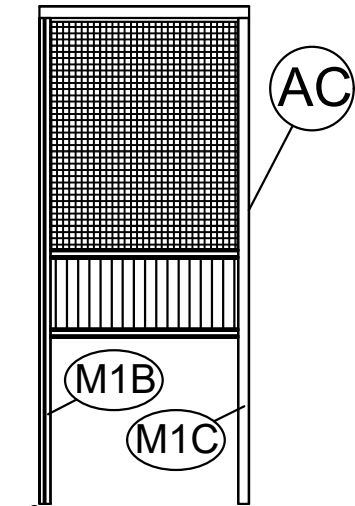


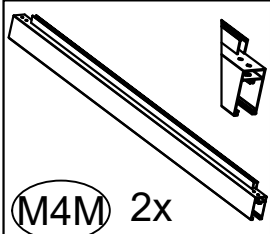
M5P 4x



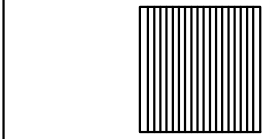
M4x20

12 16x

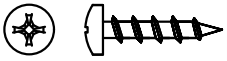




M4M 2x



MS4 2x

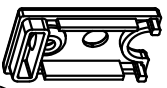


M4x20

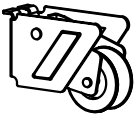
12 16x



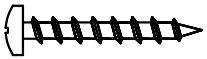
MD5 4x



MD4 4x



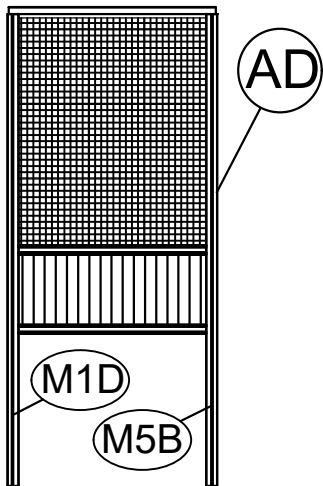
4-1 4x



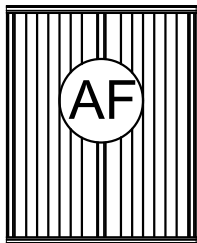
M4x35

13 4x

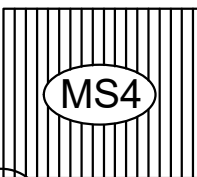
<30>



AD

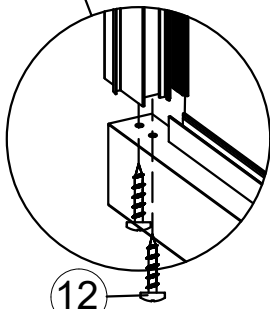


AF

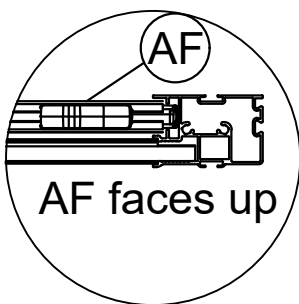


MS4

M4M

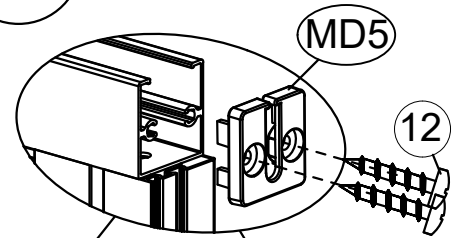


12



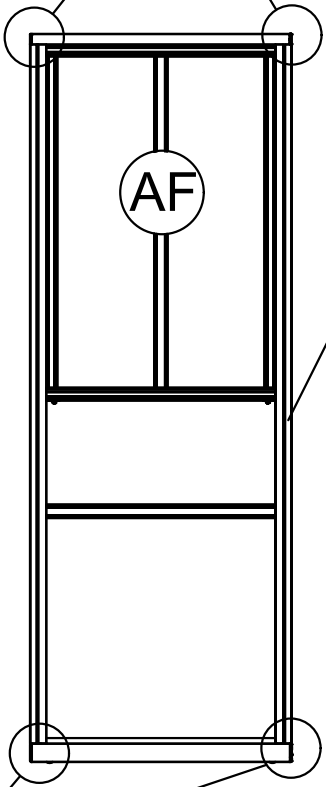
AF faces up

AD 2X



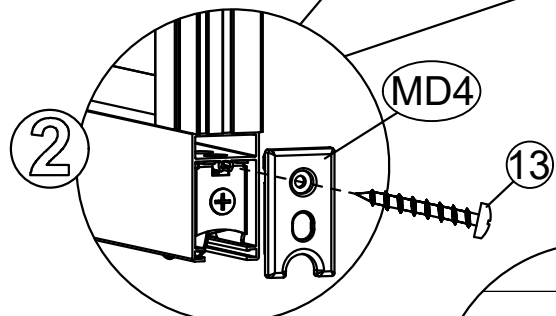
MD5

12



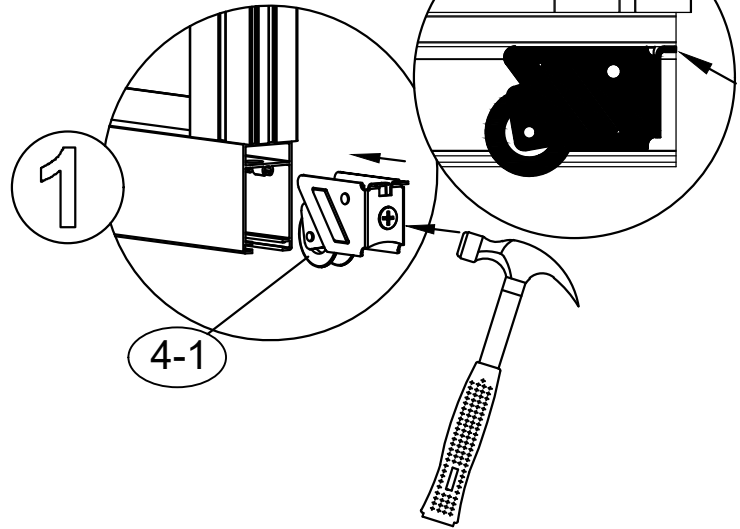
AF

AD



MD4

13



1

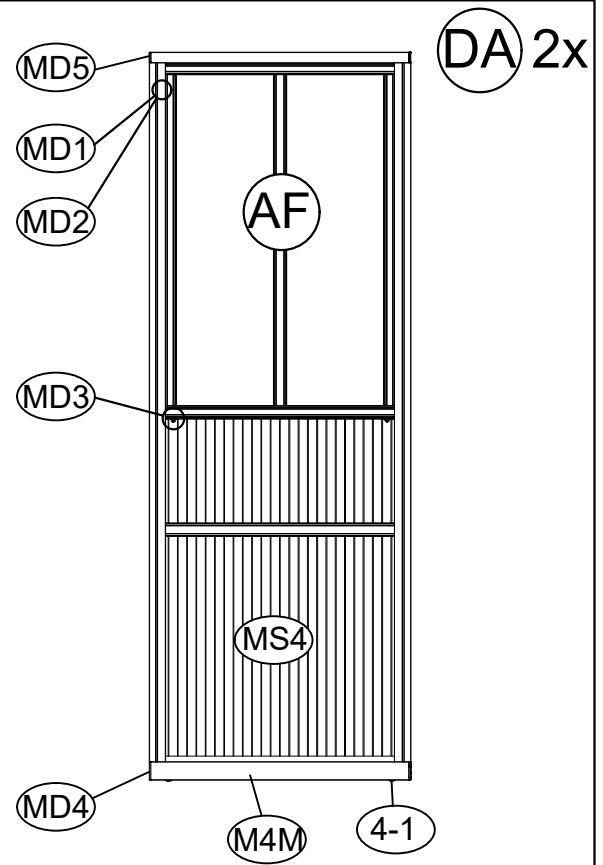
4-1

Tap gently so that the pulley is flush with the profile.

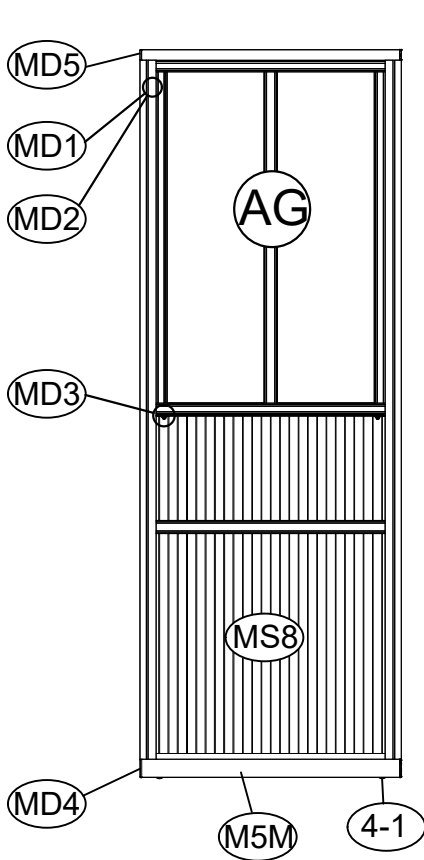
<31>

Install door frame DA, AE, and EA according to the instructions on pages 39 to 40.

- (M4M) 2x
- (MS4) 2x
- (MD4) 4x
- (MD5) 4x
- (4-1) 4x
- (12) 16x
- (13) 4x

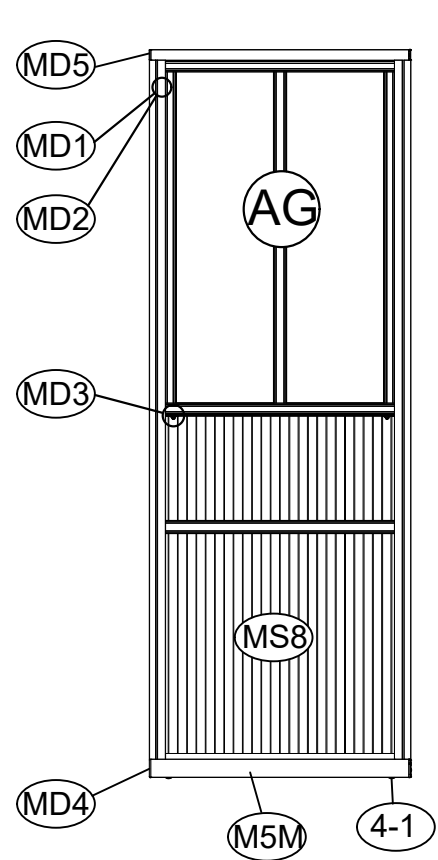


- (M5M) 2x
- (MS8) 2x
- (MD4) 4x
- (MD5) 4x
- (4-1) 4x
- (12) 16x
- (13) 4x



(AE) x2

- (M5M) 2x
- (MS8) 2x
- (MD4) 4x
- (MD5) 4x
- (4-1) 4x
- (12) 16x
- (13) 4x



(EA) x2

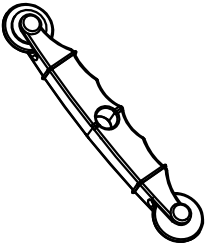
Component AD is symmetric to DA, AE is symmetric to EA.



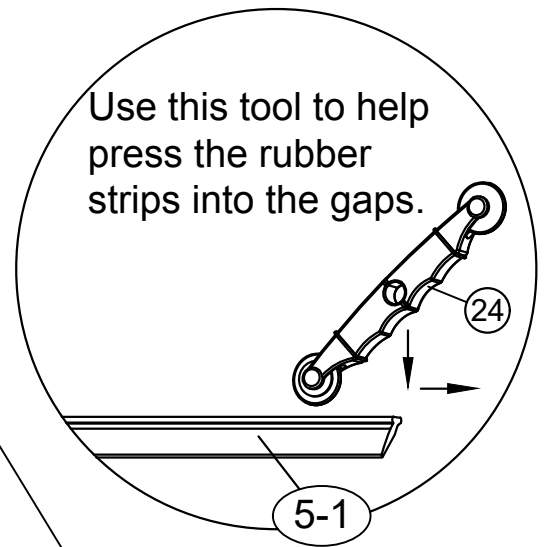
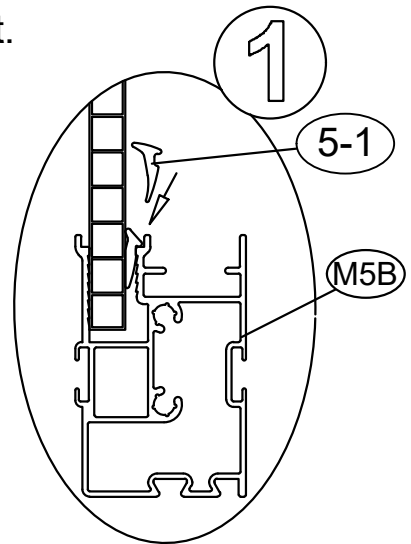
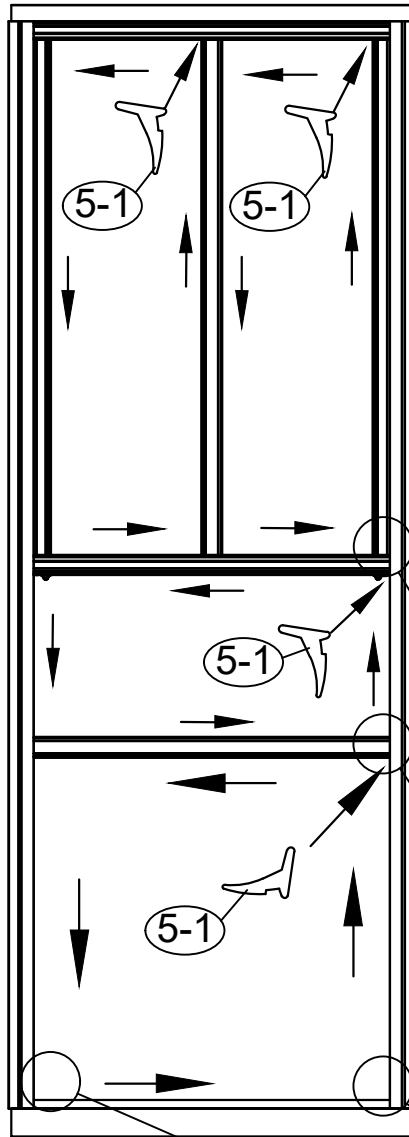
<32>

Before installation, wet the rubber strips "5-1" with water to make it easier to stick into the slot.

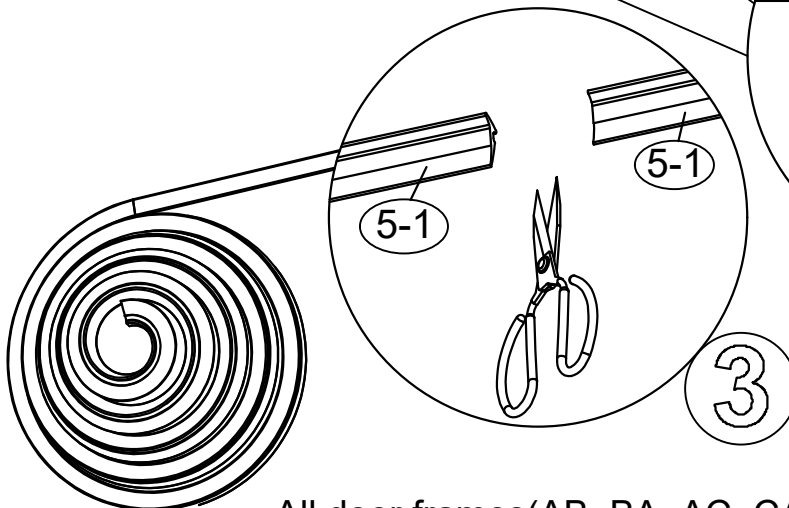
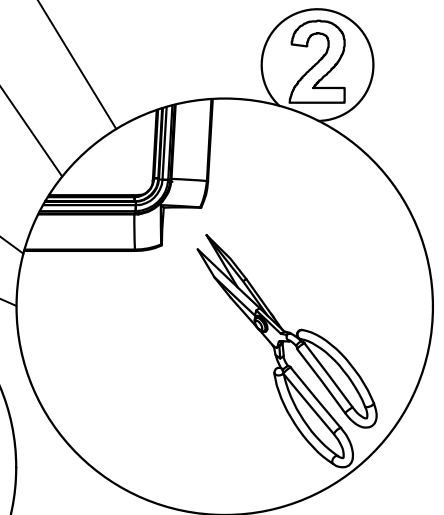
5-1 2x



24 1x



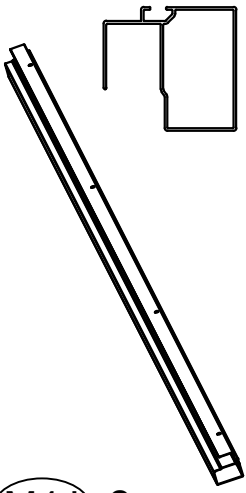
Use this tool to help press the rubber strips into the gaps.



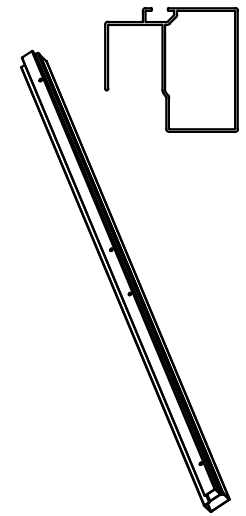
41

All door frames(AB, BA, AC, CA, AD, DA, AE, EA) are installed in the same way.

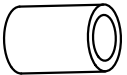
<33>



M4J 2x

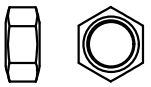


M5J 2x



6.2*11*15

3-1 16x



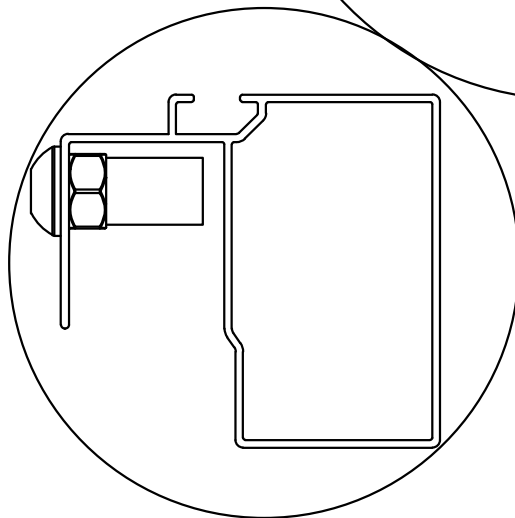
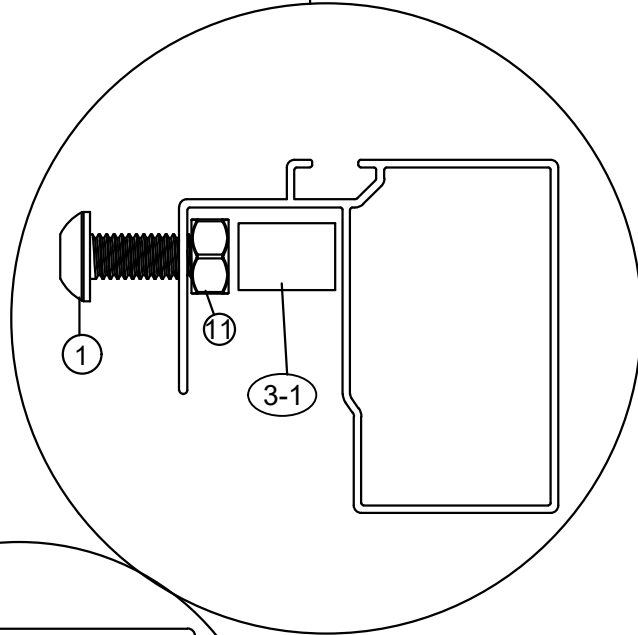
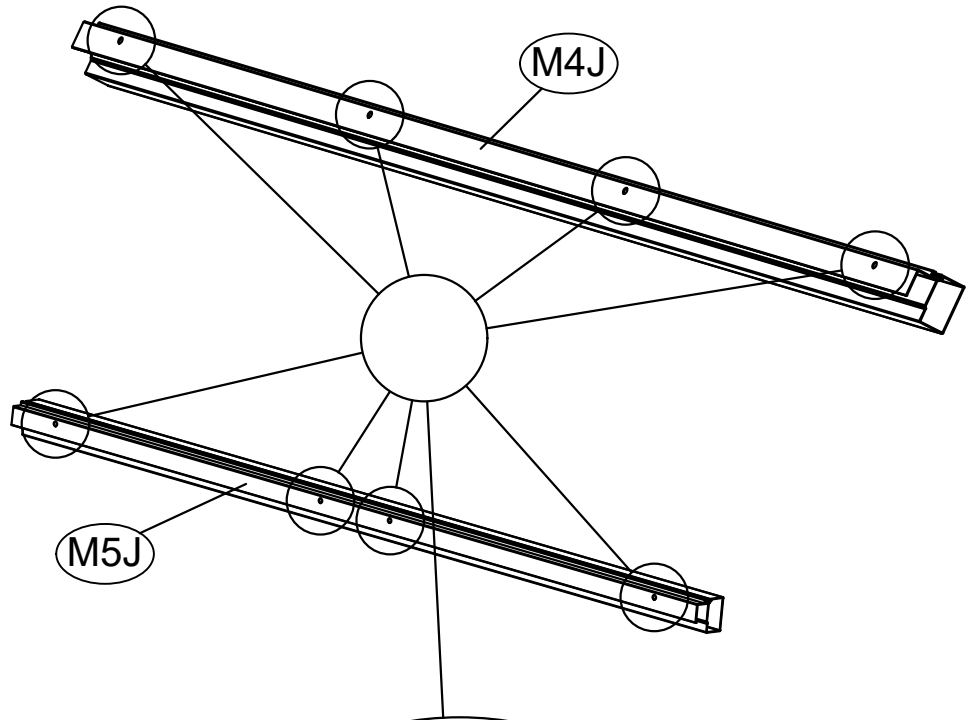
M6

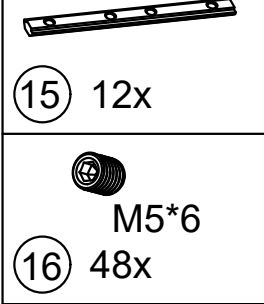
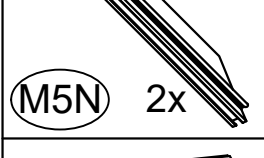
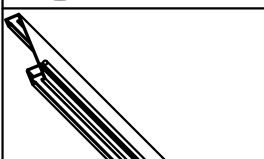
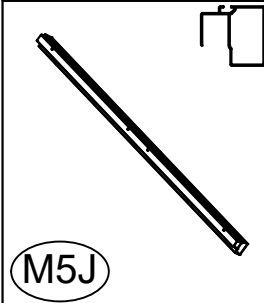
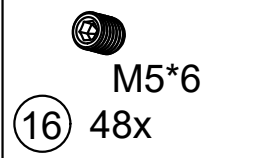
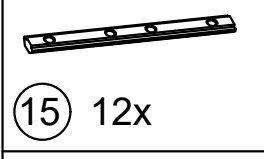
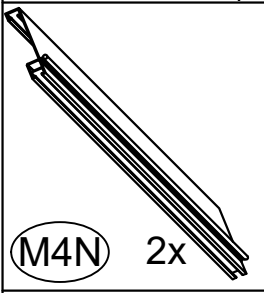
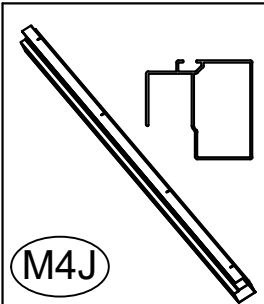
11 16x



M6x15

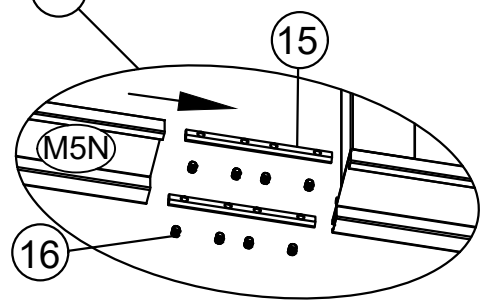
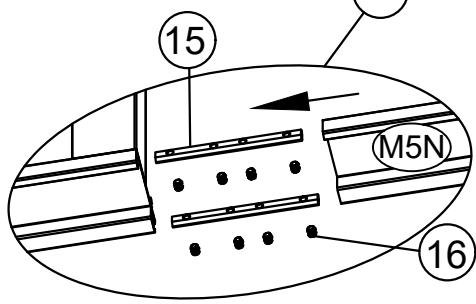
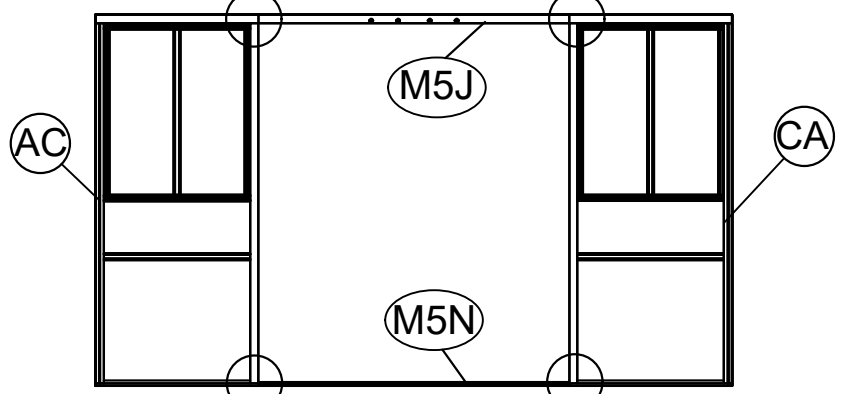
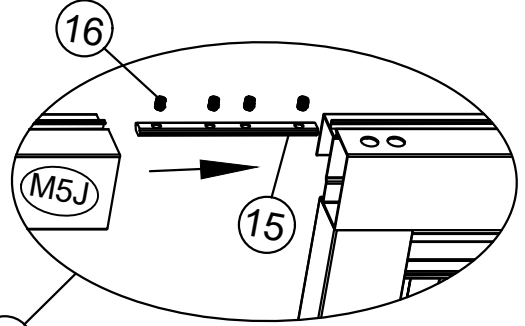
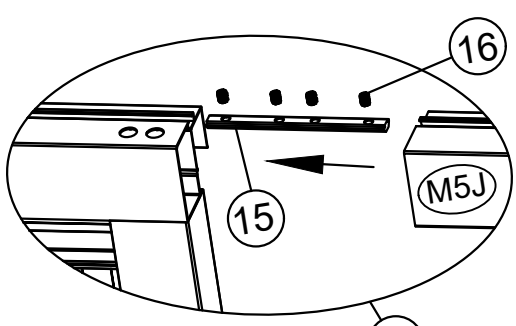
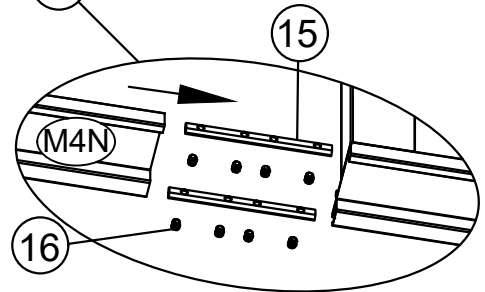
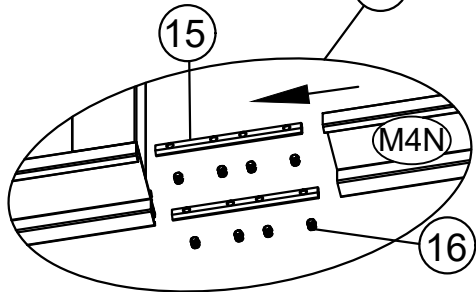
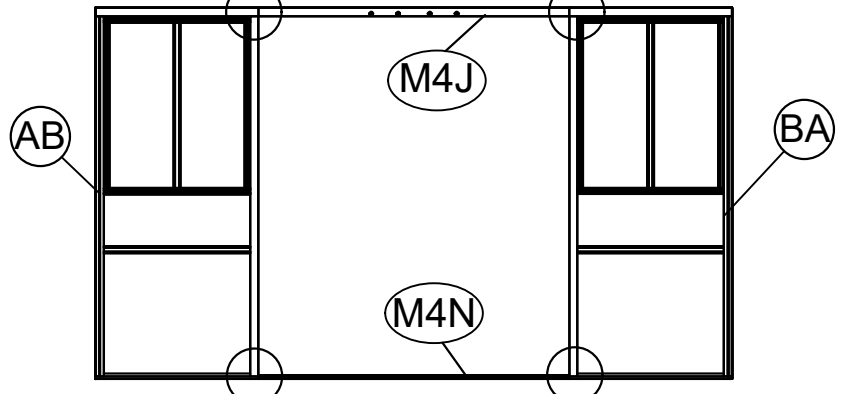
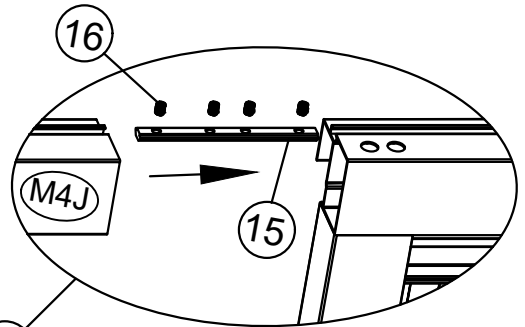
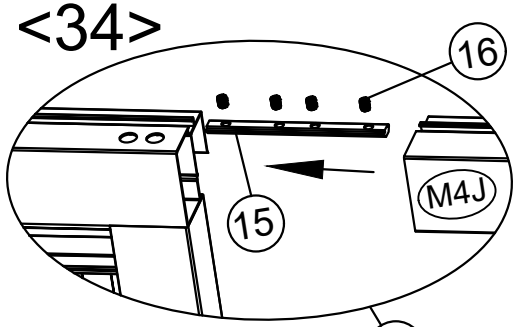
1 16x



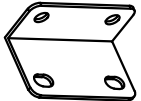
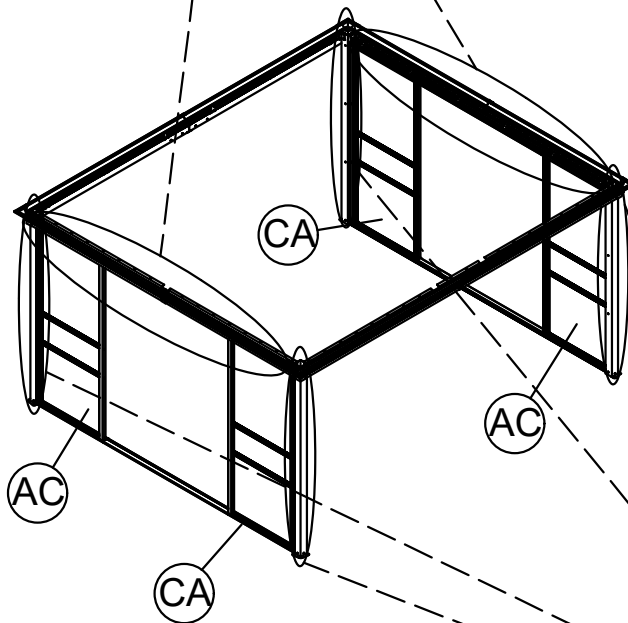
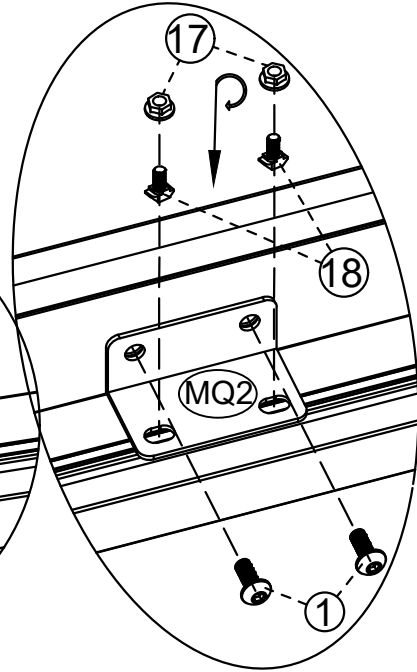
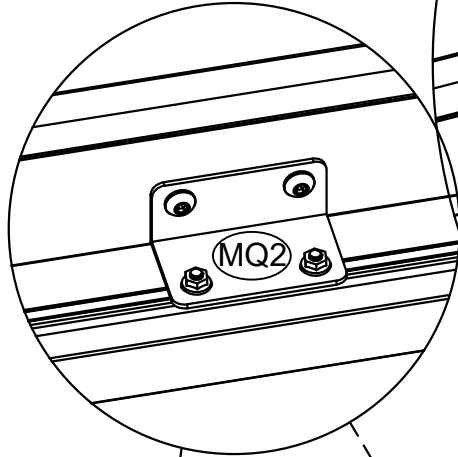
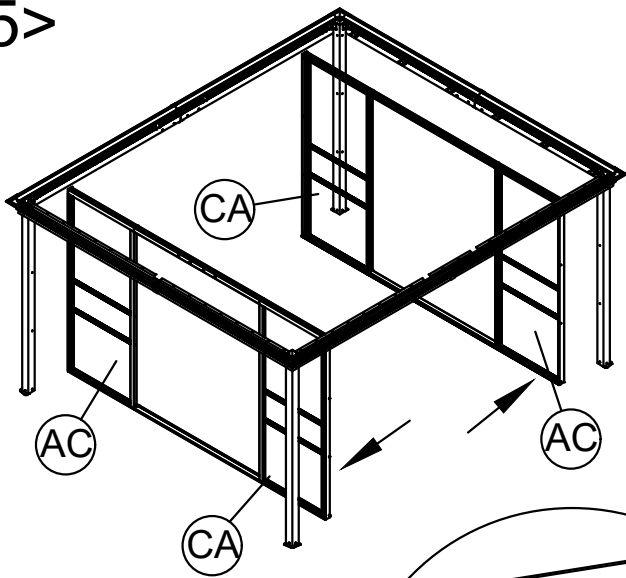


43

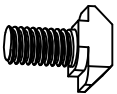
<34>



<35>



MQ2 12x



M5x12

18 24x



M5

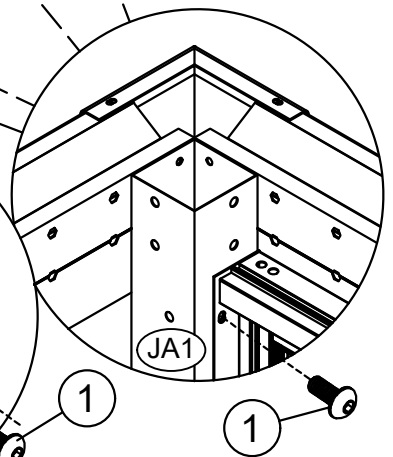
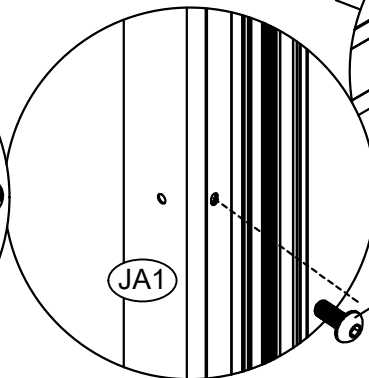
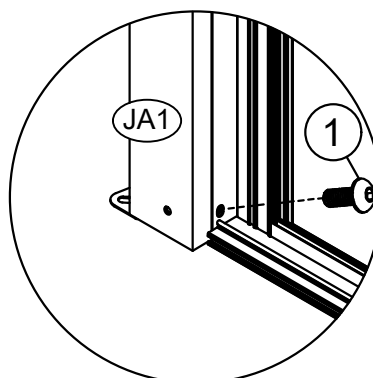
17 24x



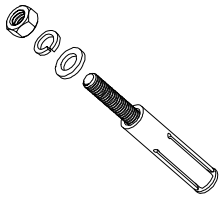
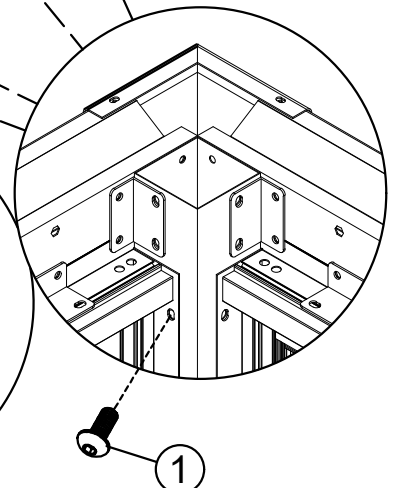
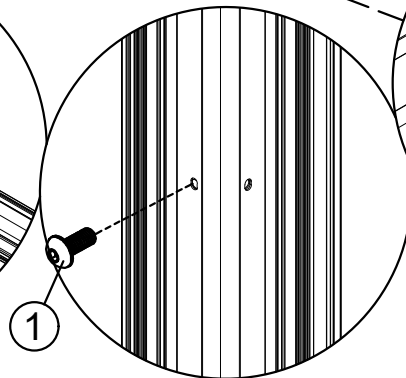
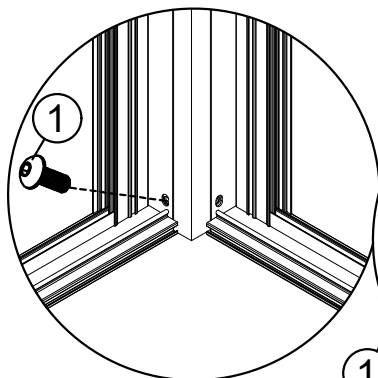
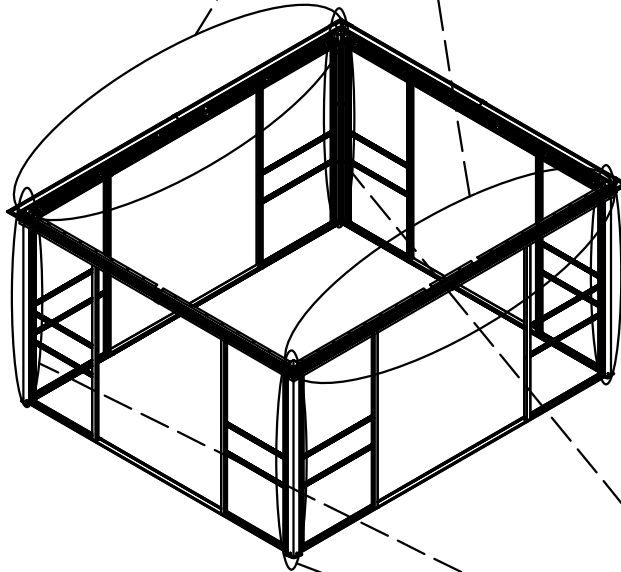
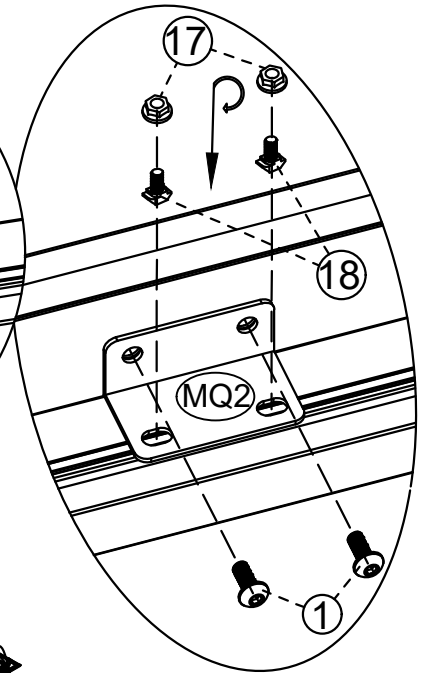
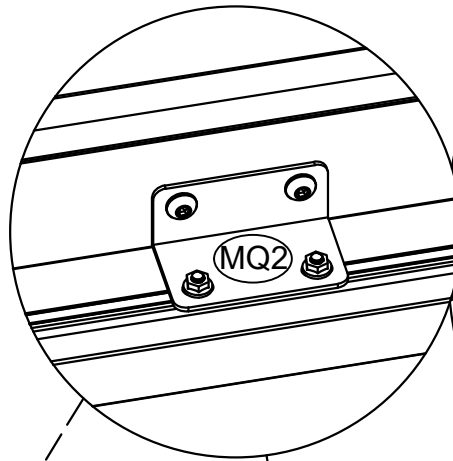
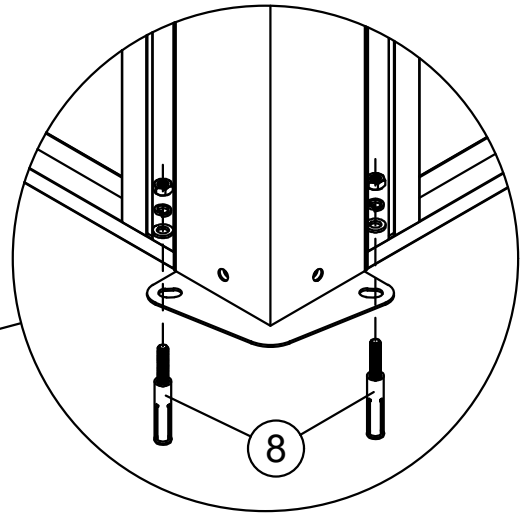
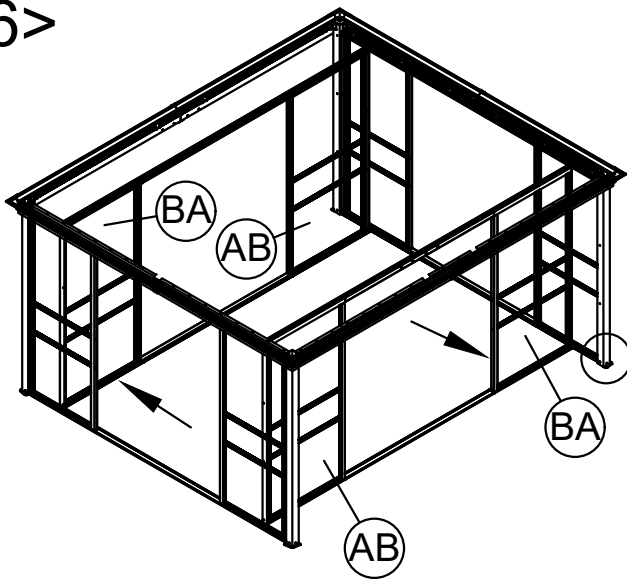
M6x15

1 40x

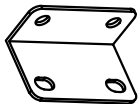
44



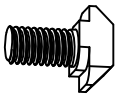
<36>



8 8x



MQ2 12x



M5x12

18 24x



M5

17 24x



M6x15

1 40x

45

<37>

DA 2x EA 2x

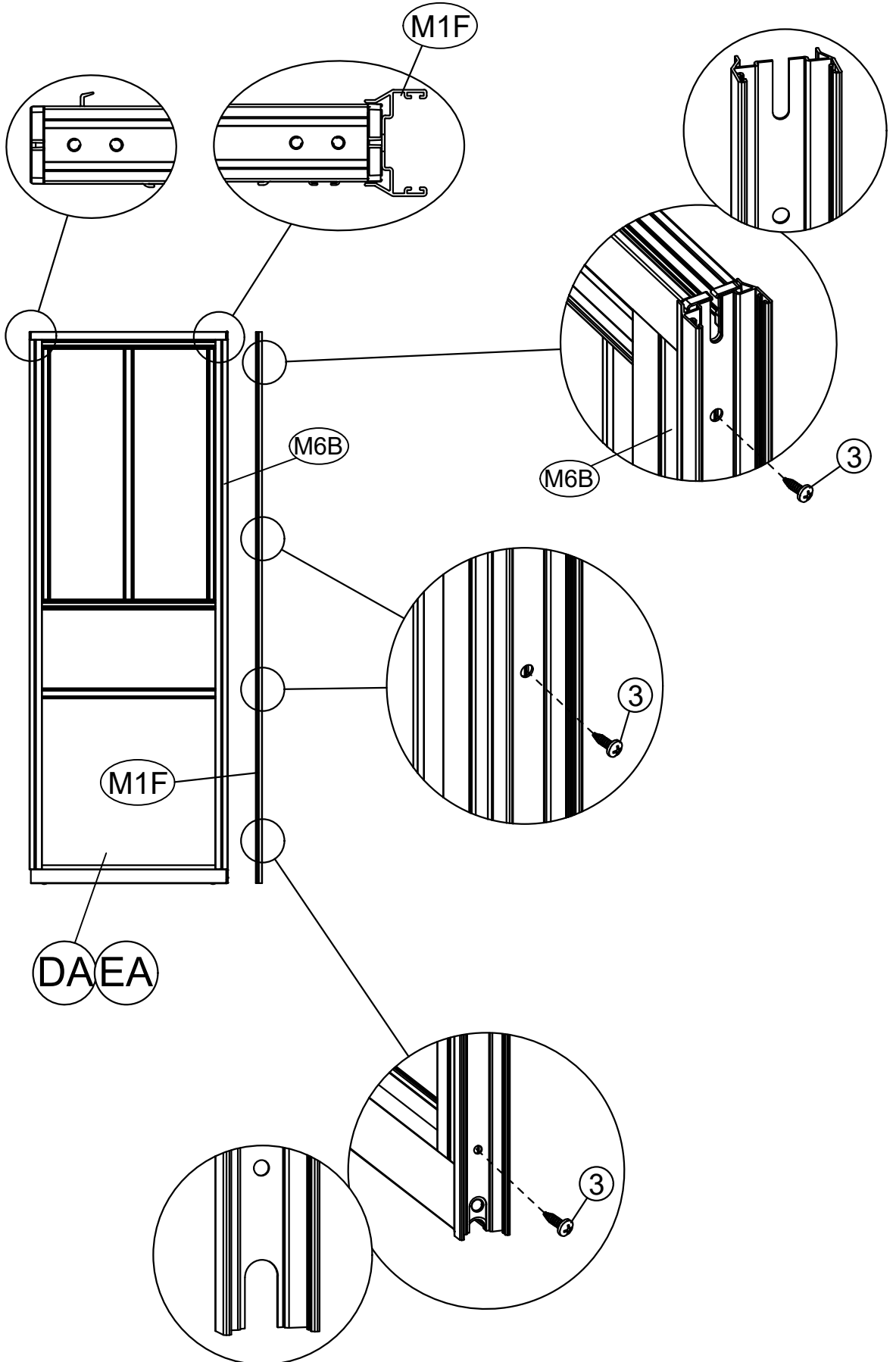
Pay attention to the left and right orientation when installing the door.

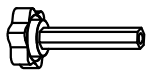
M1F 4x



ST 4.8x12

3 16x





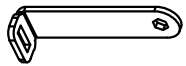
<38>

DA 2x EA 2x

U1 4x



U2 4x

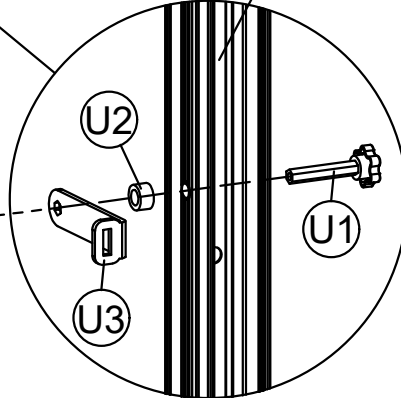
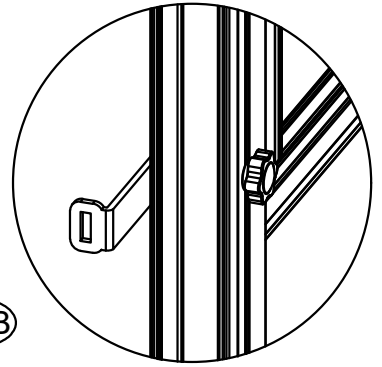
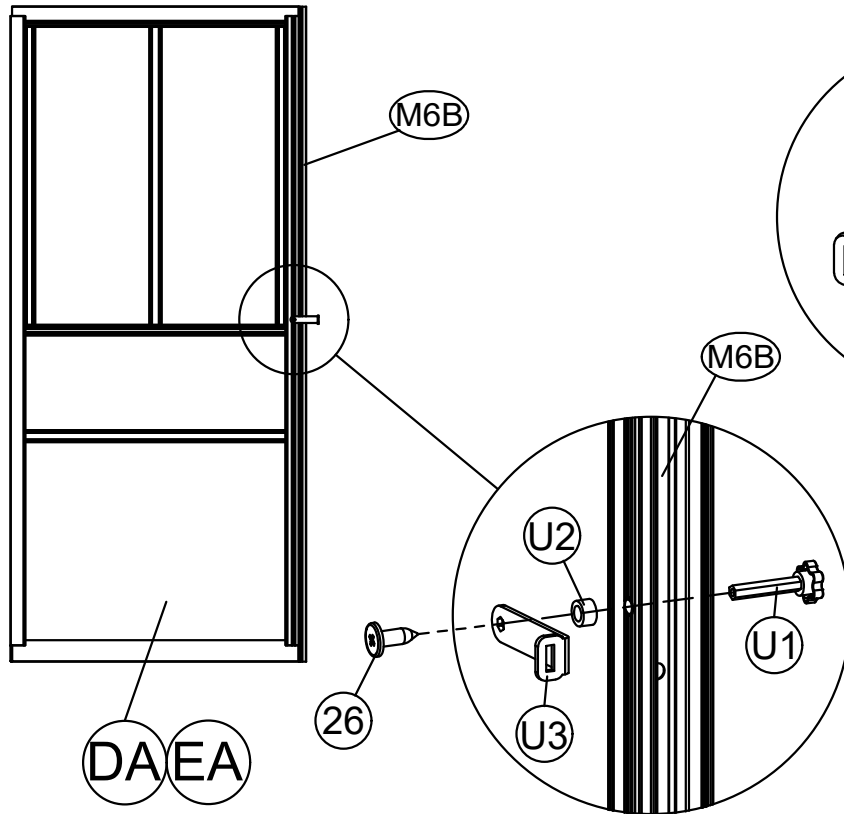


U3 4x

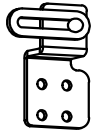


M4x12

26 4x



DA EA



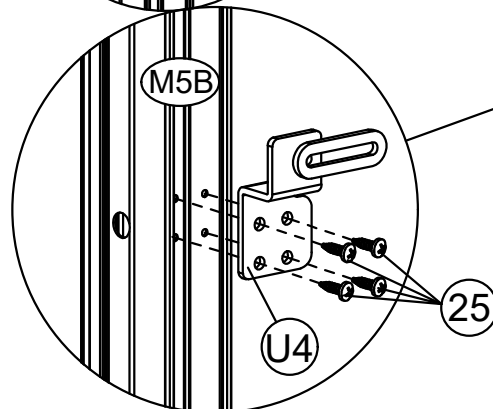
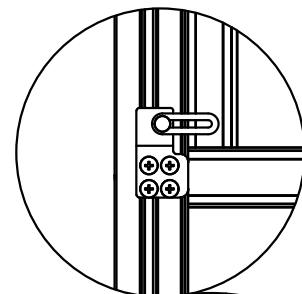
U4 4x

AD 2x AE 2x

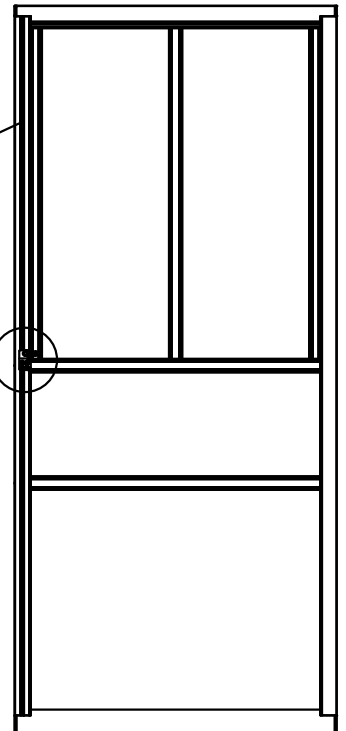


M5x15

25 16x



M5B

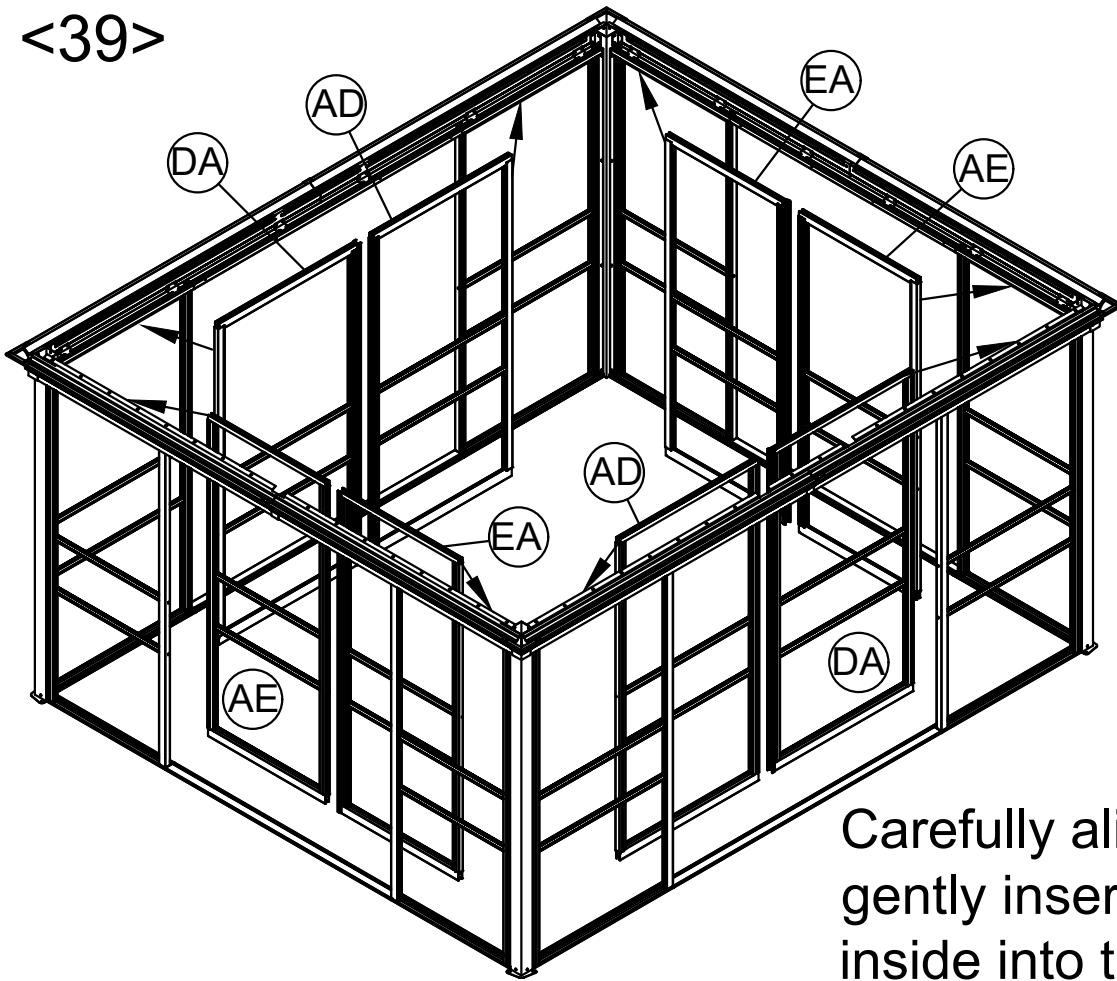


M5B

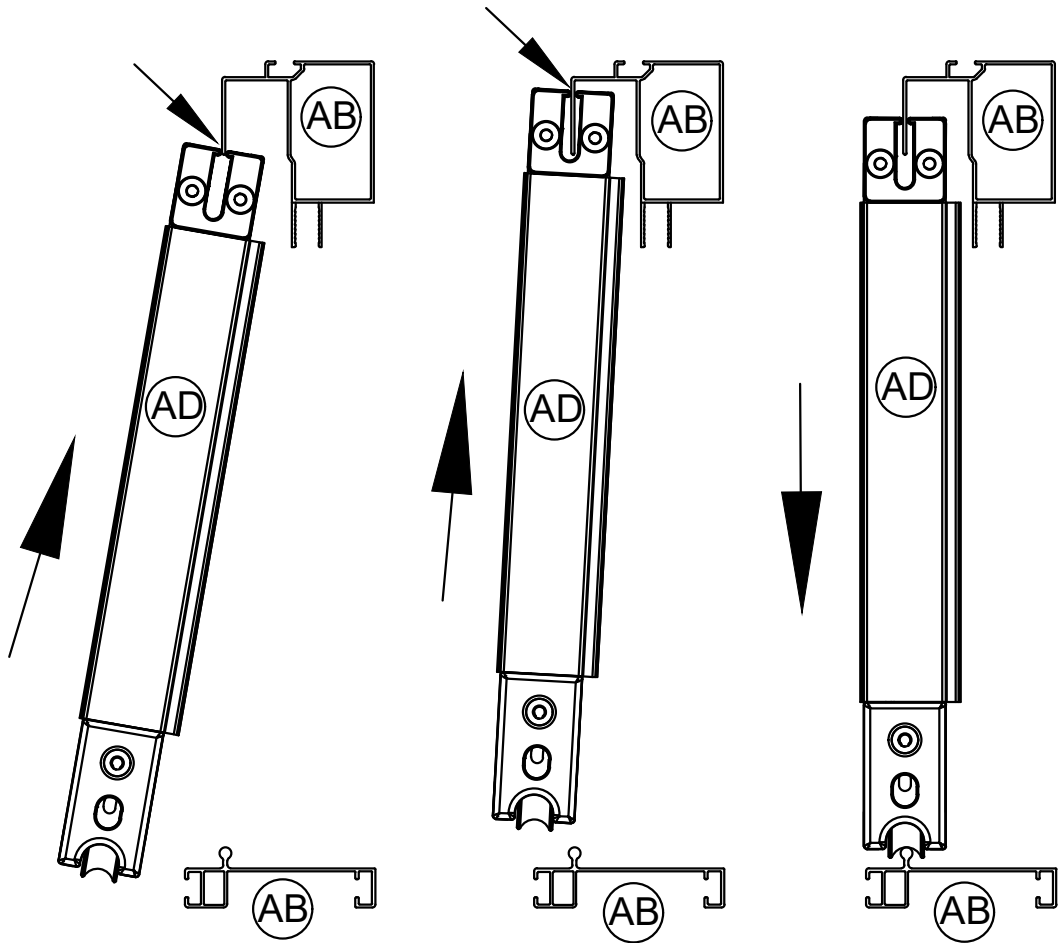
U4

25

<39>

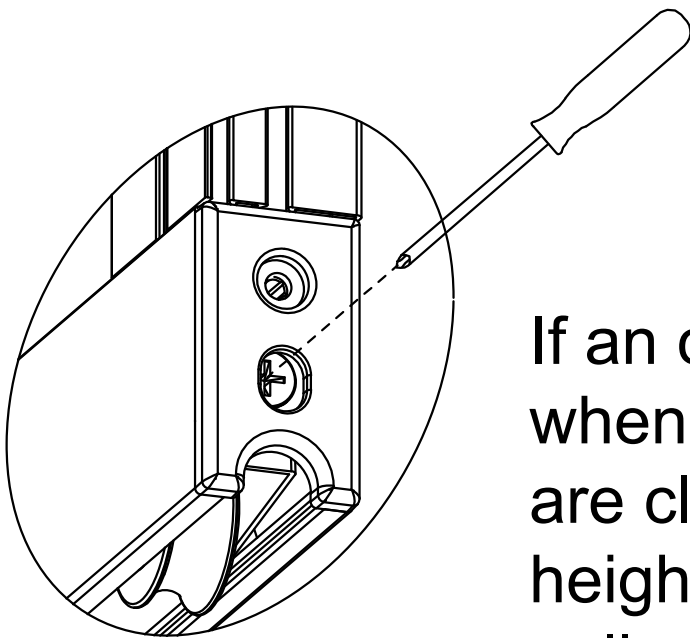
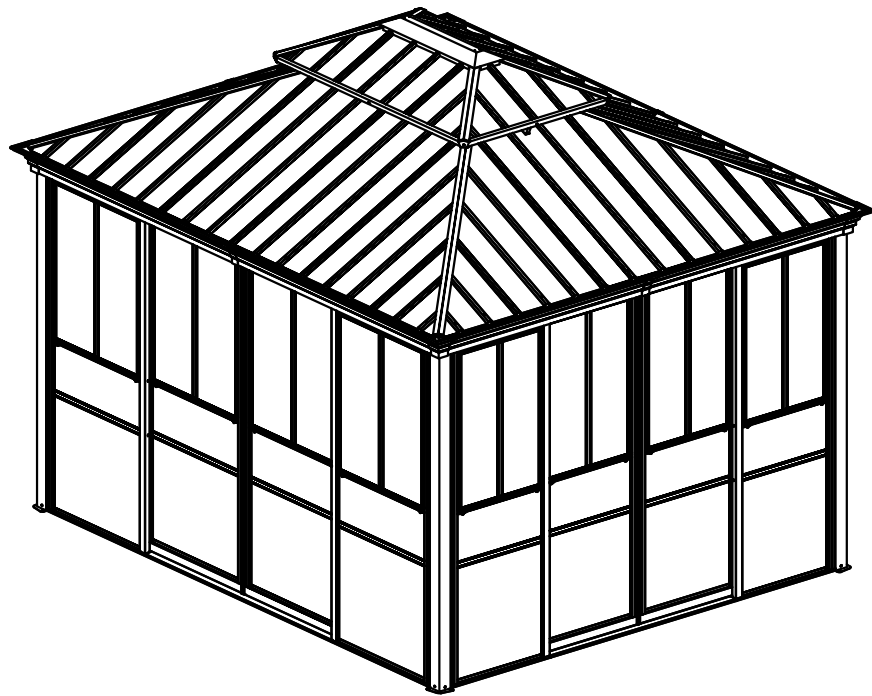


Carefully align the door and gently insert it from the inside into the upper slot.



Repeat the previous steps for other components.

<40>



If an obvious gap appears when the two sliding doors are closed, adjust the pulley height using the screw on the pulley.

<41>

