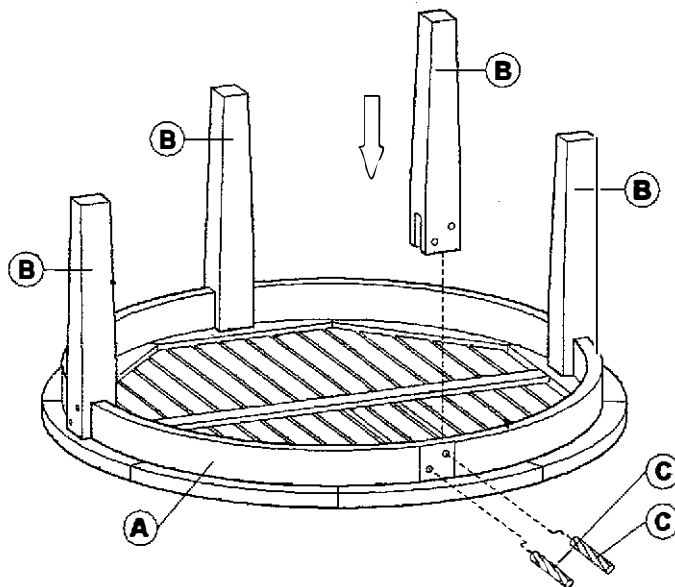


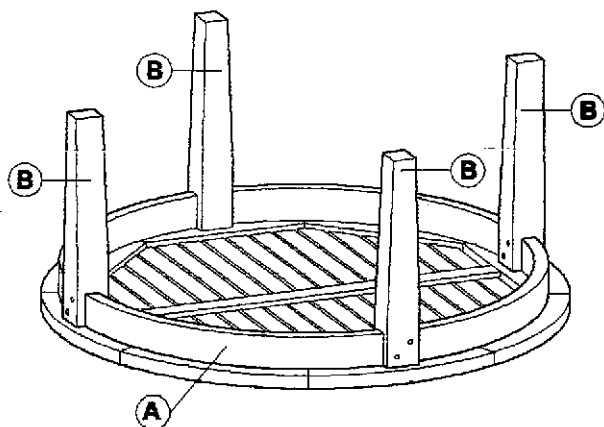
ASSEMBLY INSTRUCTIONS

TEAKWOOD DEEP-SEATER TEA TABLE (ATF54)

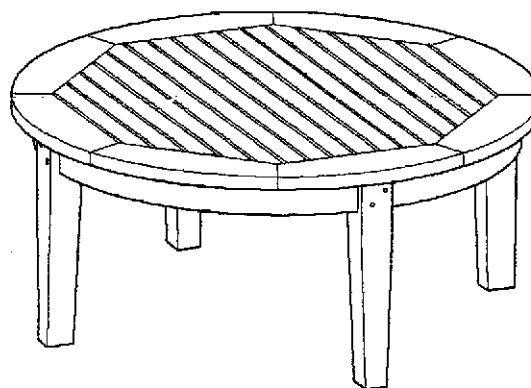
STEP 1

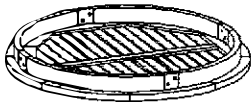
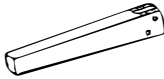





STEP 2



STEP 3



NO.	PARTS.	QTY.
A	TABLE TOP 	1
B	LEGS 	4
C	DOWEL 	8 (2 EXTRAS)
D	GLUE 	1
E	SANDPAPER 	1