

# HD

## HAUTE DECOR

Tree Huggerz™ 8' Tall Skeleton in Robe  
Item# THSKL08A

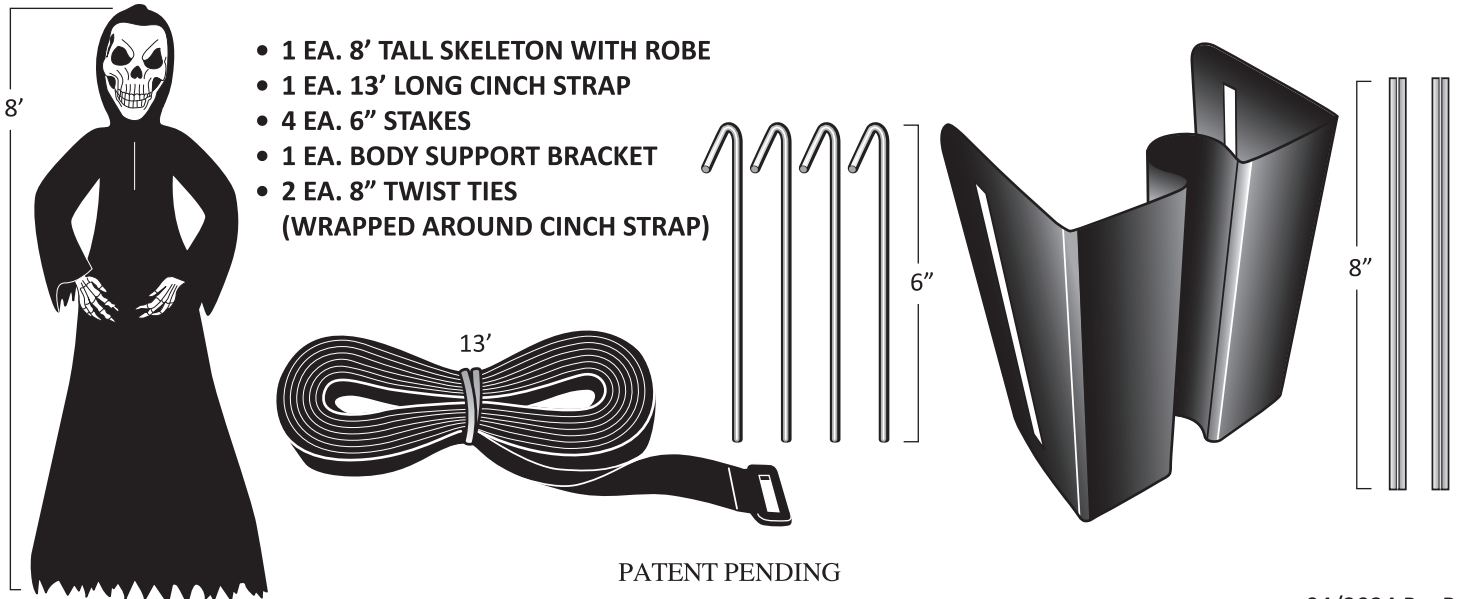


**Tree Huggerz™ Skeleton** can be attached to the **FRONT** of an up to 4 foot diameter tree.

To attach **Tree Huggerz™ Skeleton** to the **BACK** of a tree, the recommended maximum tree diameter is 2-1/2 feet to achieve the best overall peeking effect.

**Tree Huggerz™ Skeleton** can also be attached to poles, lampposts, fences, columns or other structures using these same instructions.

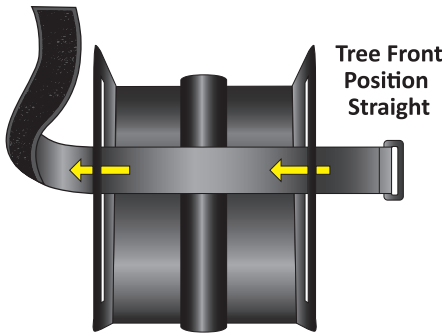
### PARTS LIST



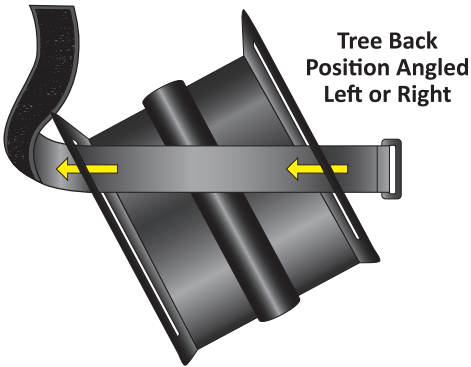
# ASSEMBLY

Carefully remove the contents from the carton and keep the carton for future storage.  
There are two ways to attach the Tree Huggerz™ character to a tree. These instructions work for both positions.

**STEP 1:** Feed the Cinch Strap through the slots in the side of the Body Support Bracket.

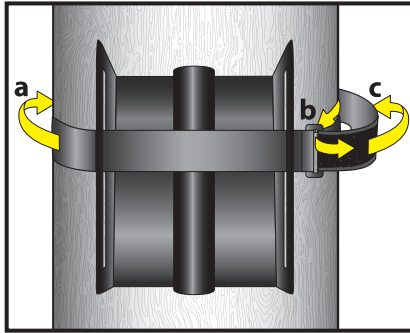


**NOTE:** Place level with the ground at 72" height for maximum height, if using in front of a tree.

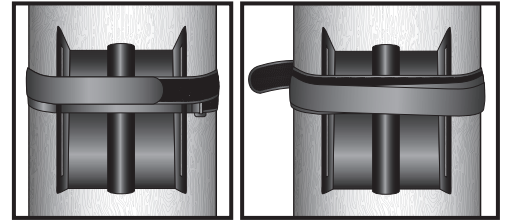


**NOTE:** Place at an angle at the height you want for the peeking effect, if using in back of a tree.

**STEP 2:**



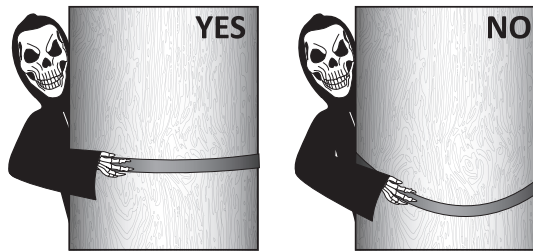
- Place the Body Support Bracket at the desired height (see notes Step 1). Wrap the Cinch Strap around the tree to secure the Body Support Bracket.
- Once the strap is around the tree, feed it through the back of the buckle. Tighten the strap as it is pulled through the buckle.
- Continue wrapping in the opposite direction around the tree.



*End of the Cinch Strap has hooks to attach to loops*      *Leave exposed loops when wrapping the tree several times*

If the Cinch Strap is long enough to wrap around the tree more than once, wrap the Cinch Strap over the Body Support Bracket on the second and subsequent wraps around the tree. While wrapping the Cinch Strap, leave some of the loop material exposed so the hooks on the end of the Cinch Strap can attach to it.

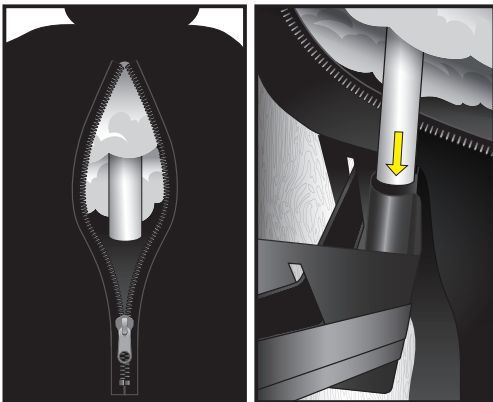
*Alternately, if you have wrapped the tree several times, you can tuck the end with the hooks between the layers to make contact with a side with loops to secure it.*



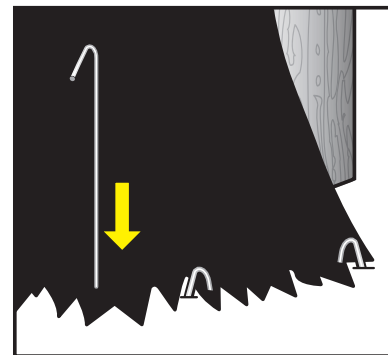
**NOTE:** To secure the bracket well, make sure the strap is wrapped tightly around the tree and is parallel to the ground.

**STEP 3:** Unzip the appropriate zipper on the character to expose the Spine. Place the Spine into the Body Support Bracket.

**For Front of Tree:** Unzip the back zipper  
**For Behind The Tree:** Unzip the front zipper

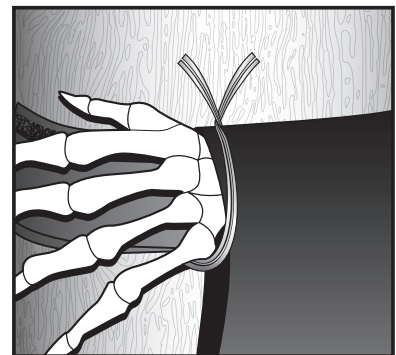


**STEP 4:** Spread the robe out onto the ground and use the 4 Stakes to attach the bottom of the robe to the ground. The Stakes push through the material at the bottom of the robe to secure it.



**STEP 5: For character peeking out from behind a tree.**

To hide Cinch Strap, feed 8" Twist Tie under Cinch Strap and around wrist of character to position arm and hand. Do for both wrists, if desired.



## CUSTOMER SERVICE

**THANK YOU FOR YOUR PURCHASE!**

Comments or questions?  
Contact us at 1-877-359-0115  
customerservice@haute-decor.com

**HD**  
HAUTE DECOR

Haute Decor  
PO Box 1594  
Allen, TX 75013

© 2023 Haute Decor  
PATENT PENDING

04/2024 RevB