

WARNING!!

Children have died from furniture tipover. Tip restraints have been included with this product; you must install the tip restraints according to these instructions in order to minimize the risk of furniture tipping.

NEVER allow children to climb or hang on furniture, including drawers or cabinet doors.

In addition to installing the restrains, to help prevent tip-over











1. **NEVER** put a TV or other heavy objects on top of this product".
2. Do not stand on the product

|  WARNING | |
|--|---|
|  | <p>Children have died from furniture tipover. To reduce the risk of furniture tipover:</p> <ul style="list-style-type: none">-ALWAYS install anti-tip device provided.-NEVER put a TV on this product.-NEVER allow children to stand, climb, or hang on any drawers, doors, or shelves.-NEVER open more than one drawer at a time.-Place heaviest items in the lowest drawers. <p><i>This is a permanent label. Do not remove!</i></p> |
|  | |

Assembly Instructions

Caution : You must read this before you proceed

Care & Maintenance

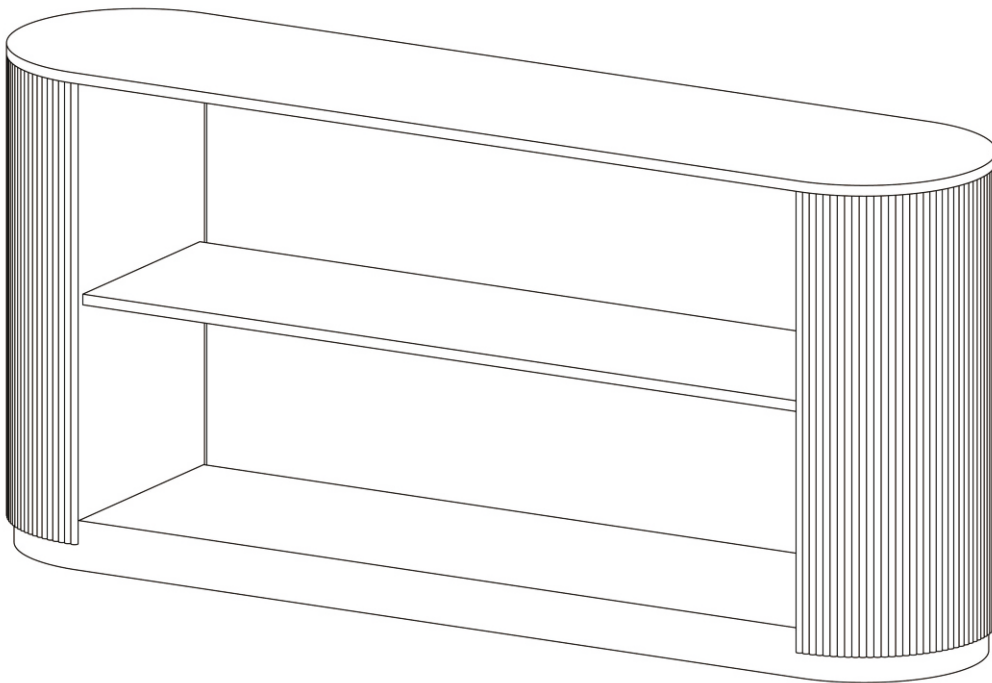
- ⊘  ● Not for commercial use. For residential use only.
- ✓  ● Furniture may scratch floors. We recommend using furniture pads to protect your floors.
- ⊘  ● Do not put hot items directly on furniture surface.
- ⊘  ● Do not clean furniture with harsh cleansers or polish.
- ⊘  ● Do not place furniture under direct sunlight.
- ⊘  ● Do not place furniture near heating or cooling vents.
- ⊘  ● Do not write on furniture without a padded barrier to protect the surface.
- ⊘  ● Do not place furniture outside . For indoor use only.
- ⊘  ● Stains may be removed with mild soap solution and damp cloth.
- ⊘  ● Children should not climb or jump on the furniture.




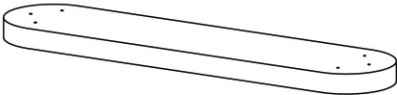


- Dust and pick-up spills using a clean, non-colored, lint-free cloth.

Please look in carton for hardware packs and legs.




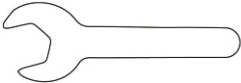

CONSOLE TABLE







Parts List

| Label | Picture | Description | QTY |
|-------|---|--------------|-----|
| A |  | Top Board | 1 |
| B |  | Bottom Board | 1 |
| C |  | Middle Board | 1 |
| D |  | Side Column | 2 |

Hardwares

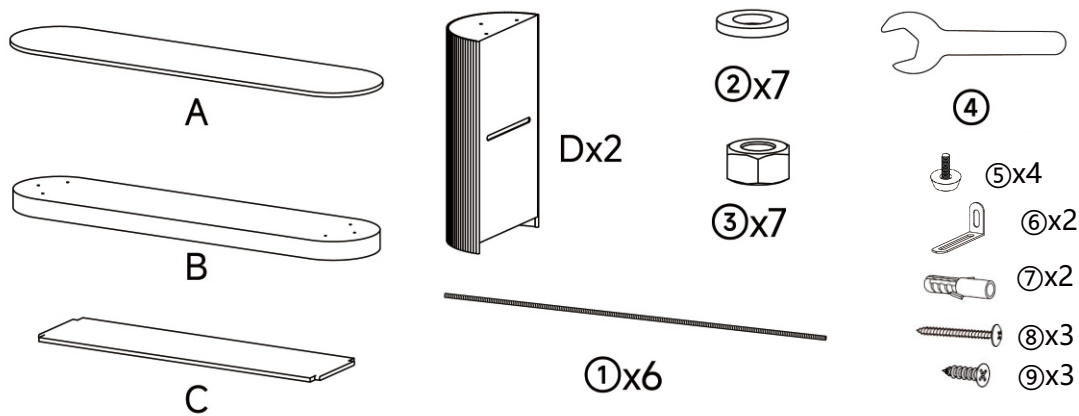
| Label | Picture | Description | QTY |
|-------|---|---------------------------|-----|
| ① |  | Threaded Rod | 6 |
| ② |  | Washer | 7 |
| ③ |  | Nut | 7 |
| ④ |  | Wrench | 1 |
| ⑤ |  | Adjustable Leveling Glide | 4 |

Tipover Restraint Device Hardware

| | | | |
|---|---|-----------------------|---|
| ⑥ |  | Anti-tip wall bracket | 2 |
| ⑦ |  | Expansion Plug | 2 |
| ⑧ |  | Long screw(M4*40mm) | 3 |
| ⑨ |  | Short screw (M4*12mm) | 3 |

Assembly Preparation

Before
Beginning
Assembly:



- Read instructions, cover to cover-



- Have 2 adults on hand for assembly-



- Do not assemble on flooring or carpet-



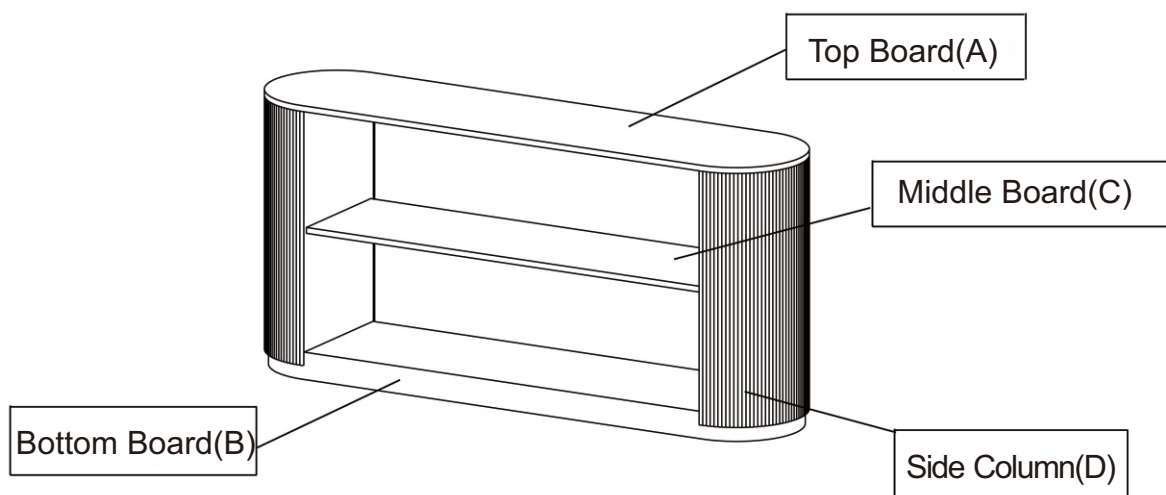
- Assemble on a clean non-marring surface (packing foam)-



- Save all packaging until finished-

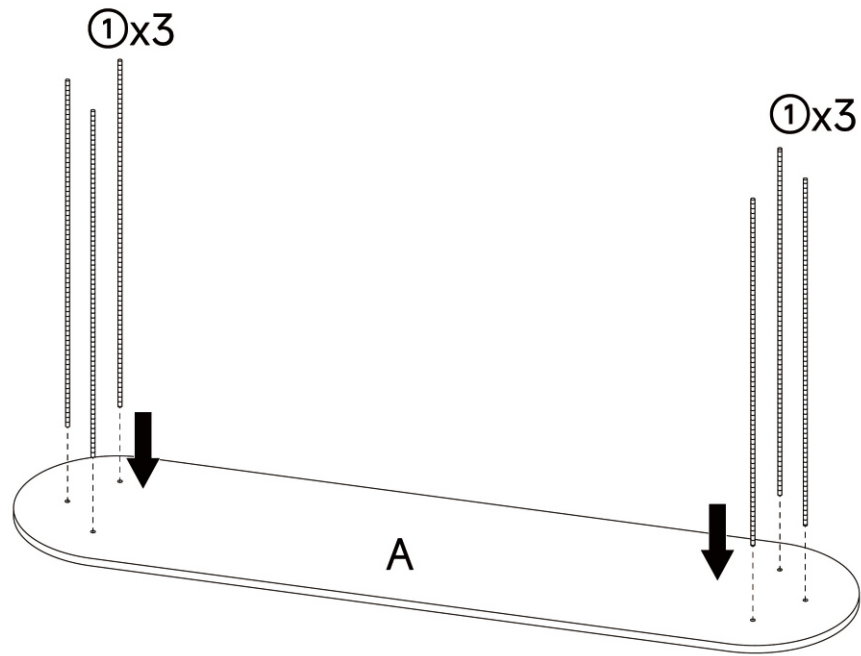
Assembly Steps

Overview



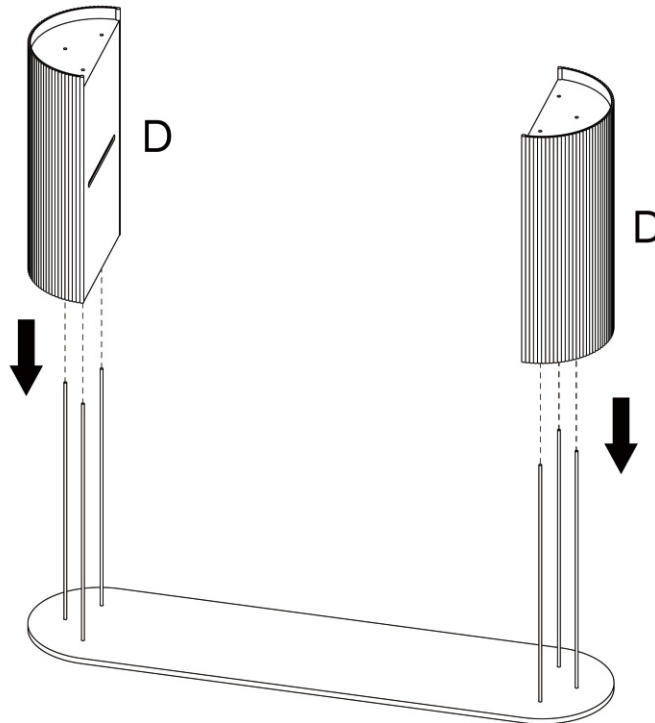
This table has multiple parts and may require up to some 30 minutes to assemble. To give you an overview of the table parts, the above picture is to help you put the various parts into perspective. Please read through the instructions below to familiarise yourself with the parts and steps before assembly.

Step 1



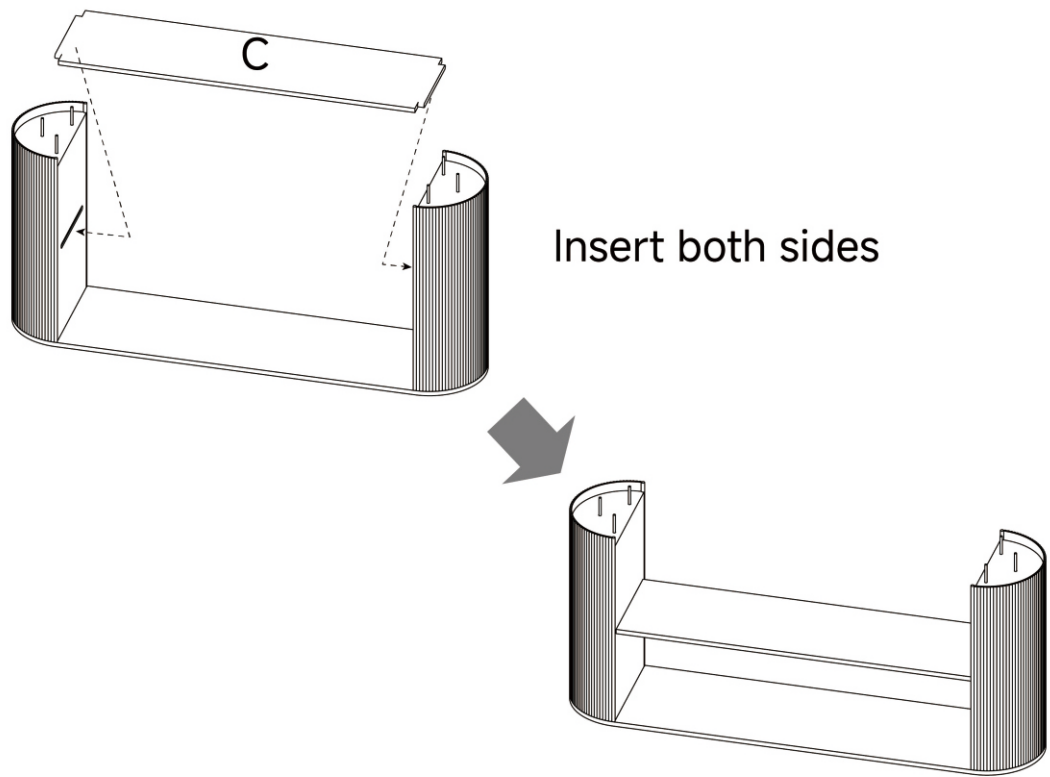
With the hole of the top board (A) facing upwards, Insert threaded rod(①) to the holes of top board(A).

Step 2



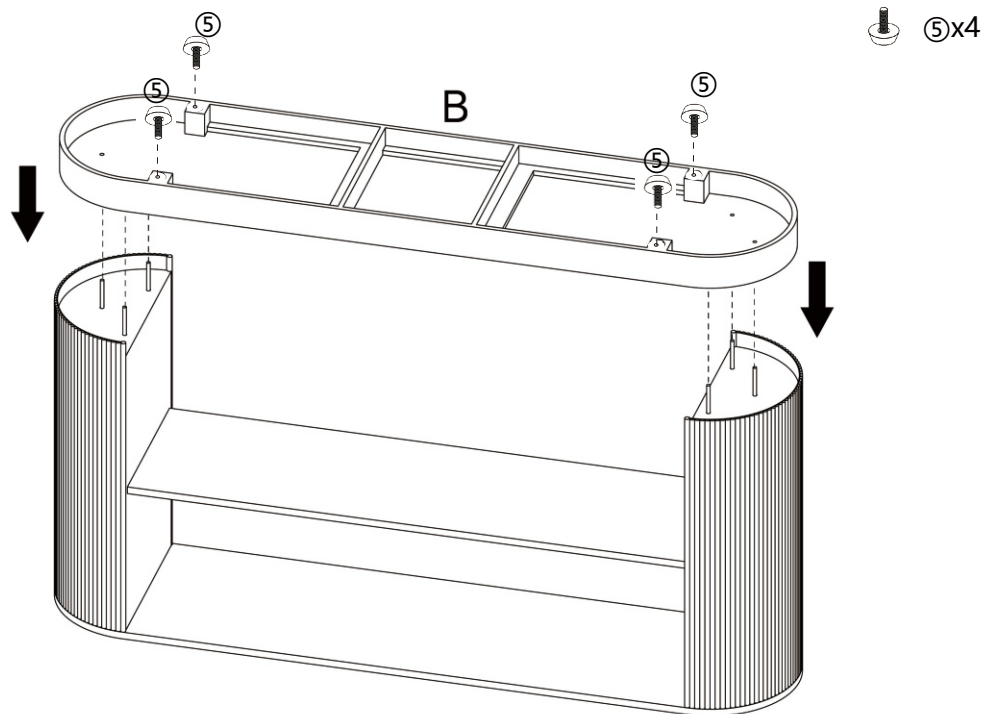
Align the holes of side column (D) with threaded rod (①) and insert them.

Step 3



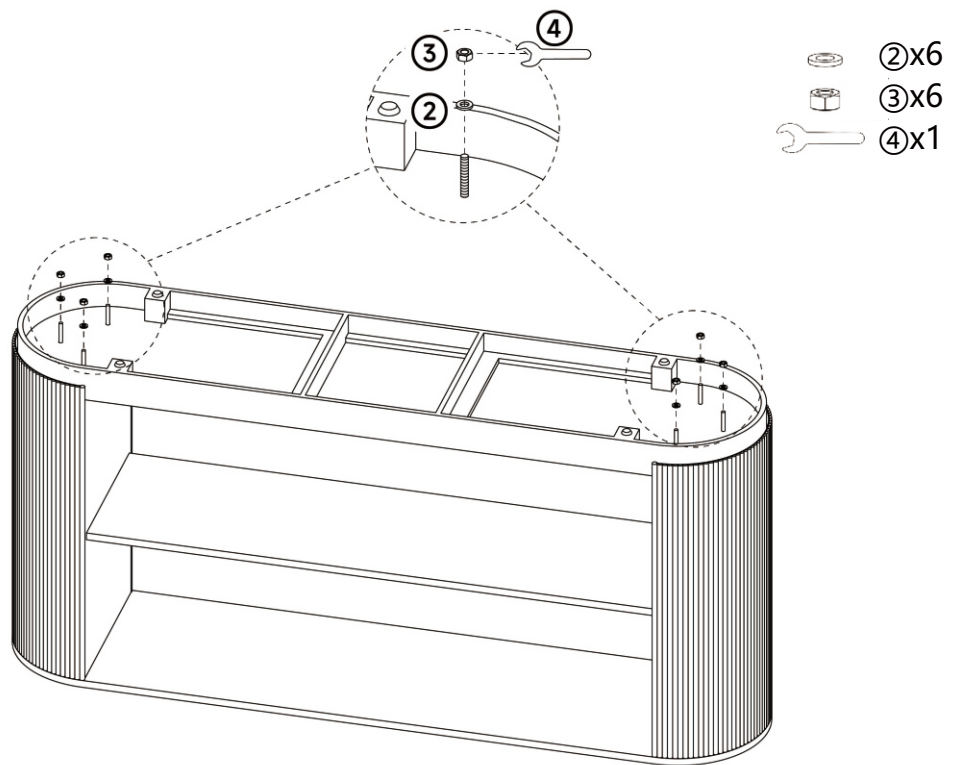
Insert the middle board (C) into the side column((D) .

Step 4



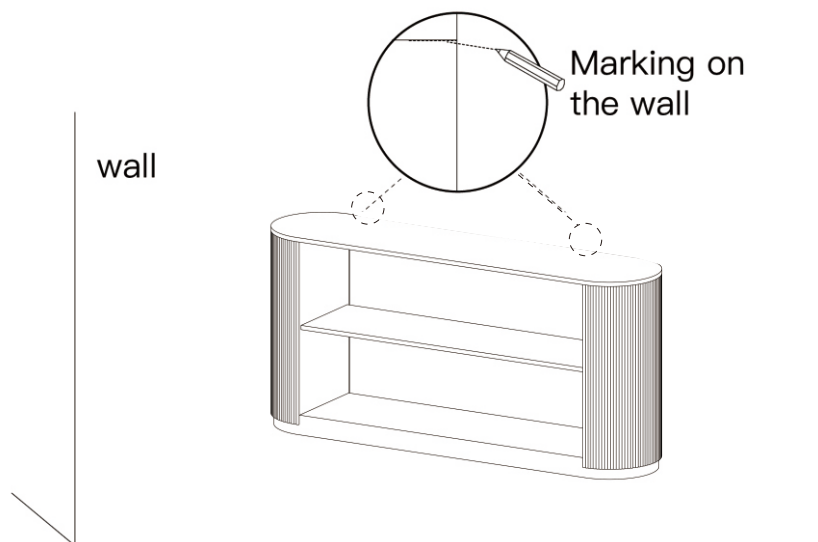
Screw adjustable leveling glide (⑤) to bottom board(B).
And then align the holes of bottom board(B) with threaded rod (①) .

Step 5



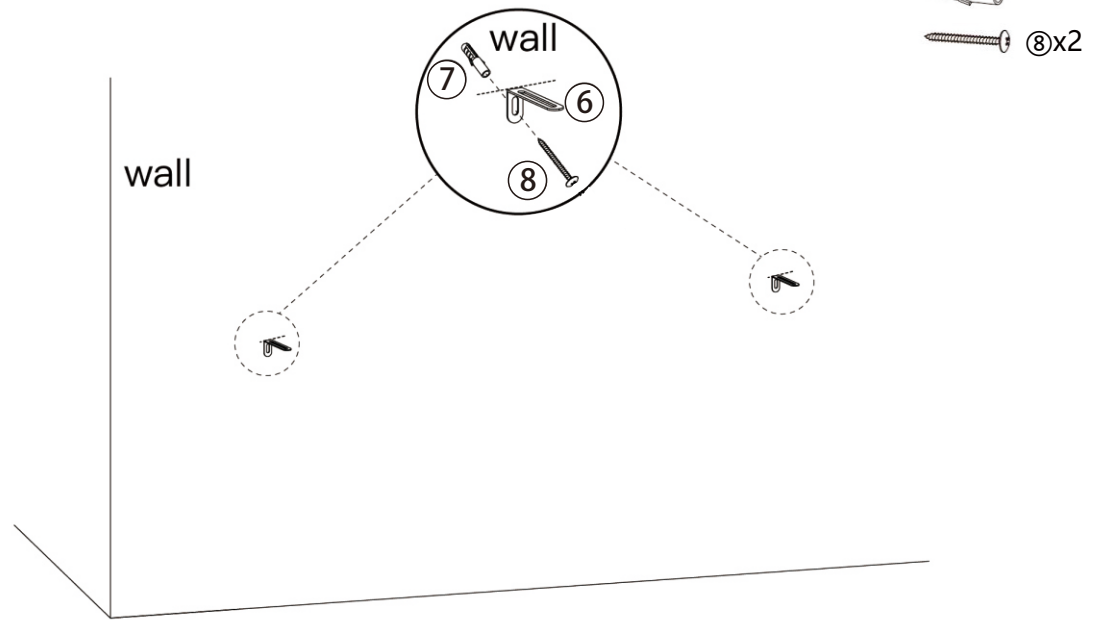
Fix the bottom board(B) with nut(③) and washer(②),and tighten them up.

Step 6



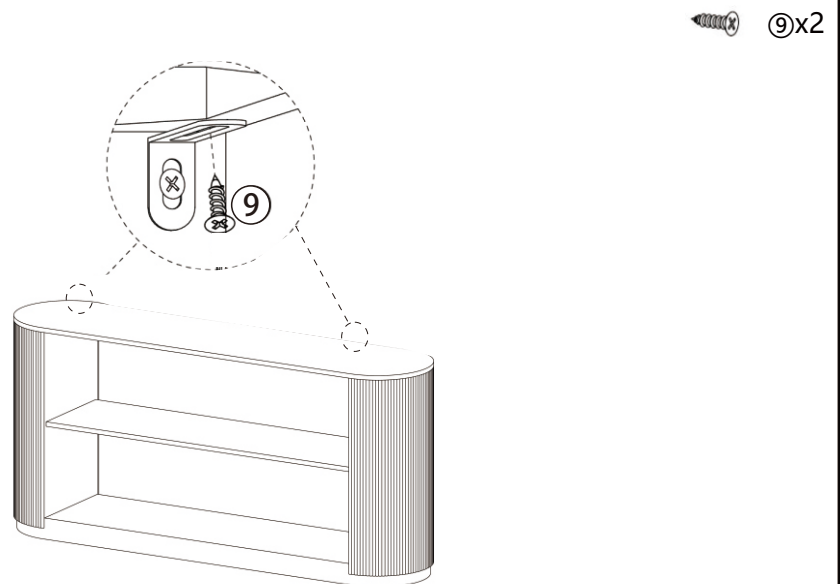
Place the console table against the wall. Mark the position for extension.

Step 7



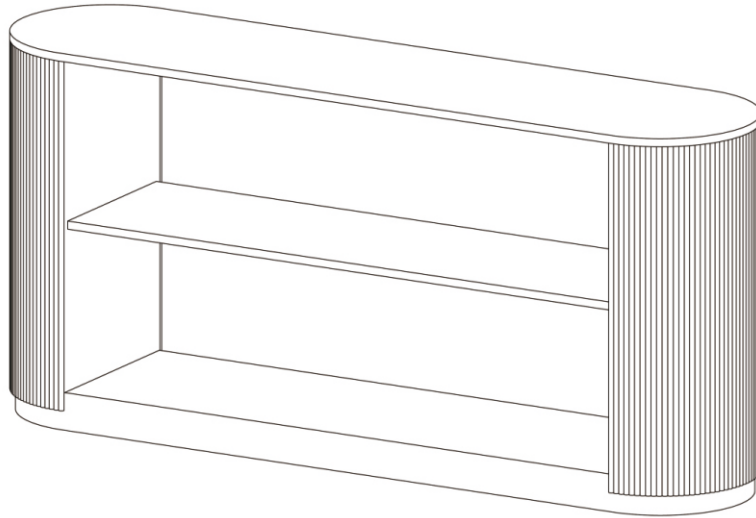
Drill holes on the wall in marking position, insert expansion plugs(7) into the holes, align with the expansion plugs (7), install the short side of anti-tip wall bracket (6) on the wall with long screw(8).

Step 8



Attach long side of anti-tip wall bracket (6) at the bottom of top board(A) with short screw(9).

Step 9



The table is ready to use.

"Questions & Answers about Proposition 65

- What is Proposition 65?

Proposition 65 requires businesses to provide warnings to Californians about significant exposures to chemicals that cause cancer, birth defects or other reproductive harm. These chemicals can be in the products that Californians purchase, in their homes or workplaces, or that are released into the environment. By requiring that this information be provided, Proposition 65 enables Californians to make informed decisions about their exposures to these chemicals.

Proposition 65 also prohibits California businesses from knowingly discharging significant amounts of listed chemicals into sources of drinking water. Proposition 65 requires California to publish a list of chemicals known to cause cancer, birth defects or other reproductive harm. This list, which must be updated at least once a year, has grown to include approximately 900 chemicals since it was first published in 1987.

- What types of chemicals are on the Proposition 65 list?

The list contains a wide range of naturally occurring and synthetic chemicals that include additives or ingredients in pesticides, common household products, food, drugs, dyes, or solvents. Listed chemicals may also be used in manufacturing and construction, or they may be byproducts of chemical processes, such as motor vehicle exhaust. "