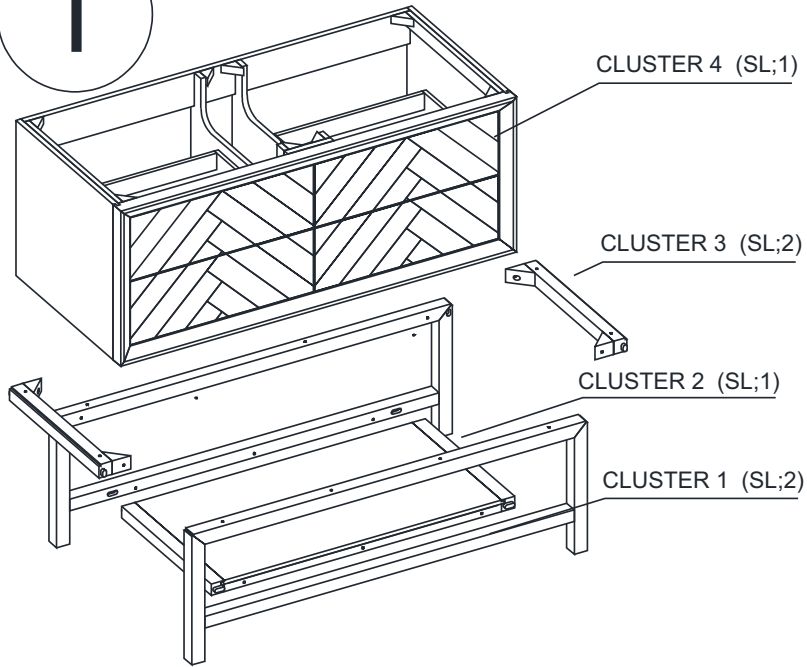


# Assembly instructions

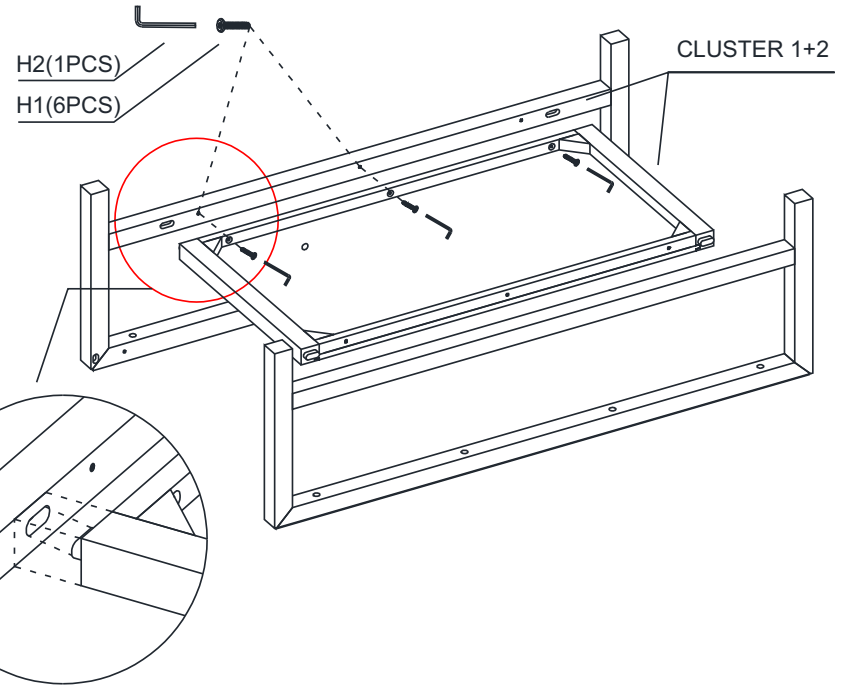
## 1



(H1) x 22 (M6x40)  
countersunk hex  
head wood screws



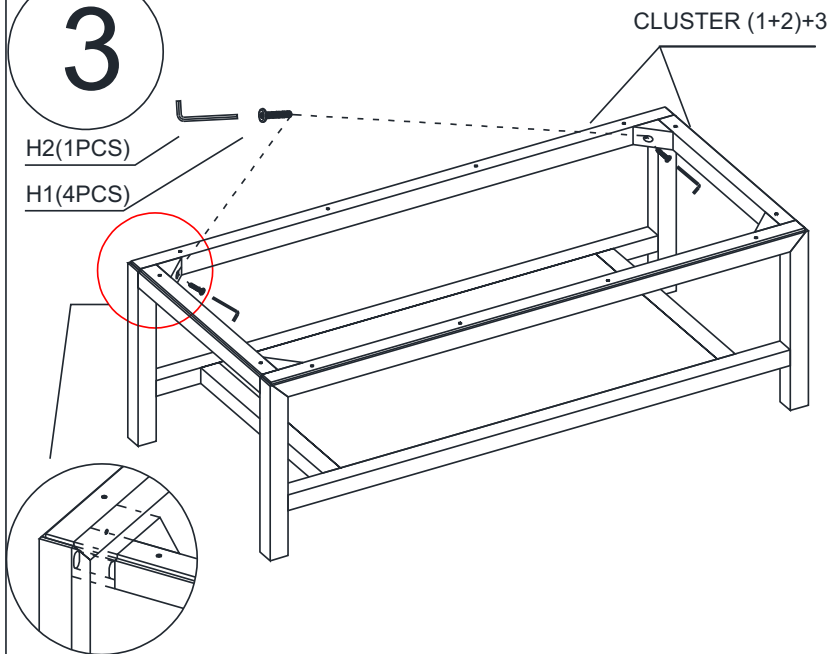
## 2



## 3

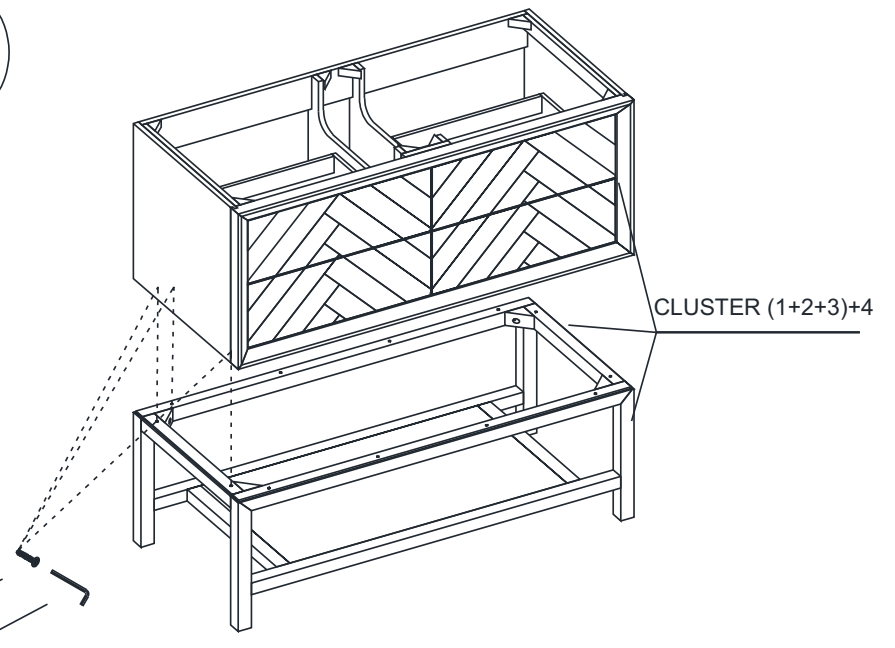


(H2) x 1  
Hexagon buckle



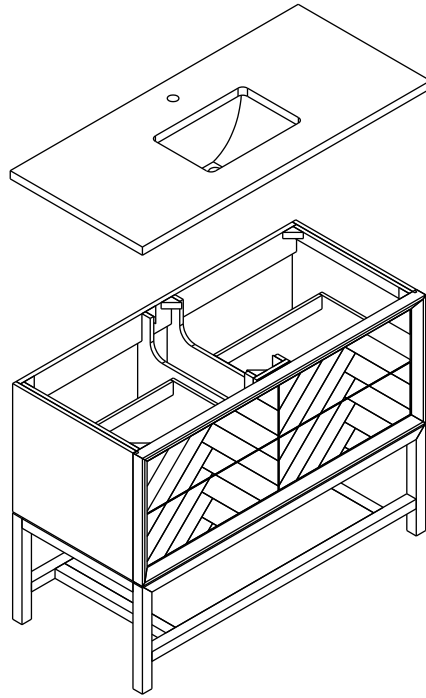
## 4

H1(12PCS)  
H2(1PCS)



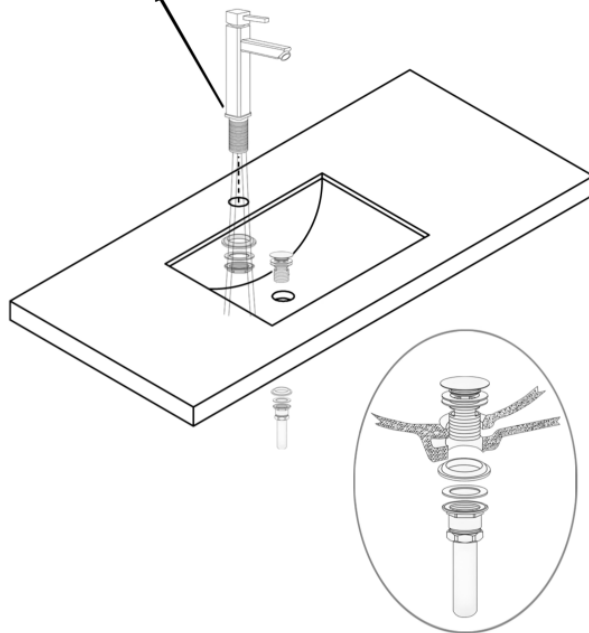
# Installation

## STEP 5



## STEP 6

Install faucet and drain system on the top



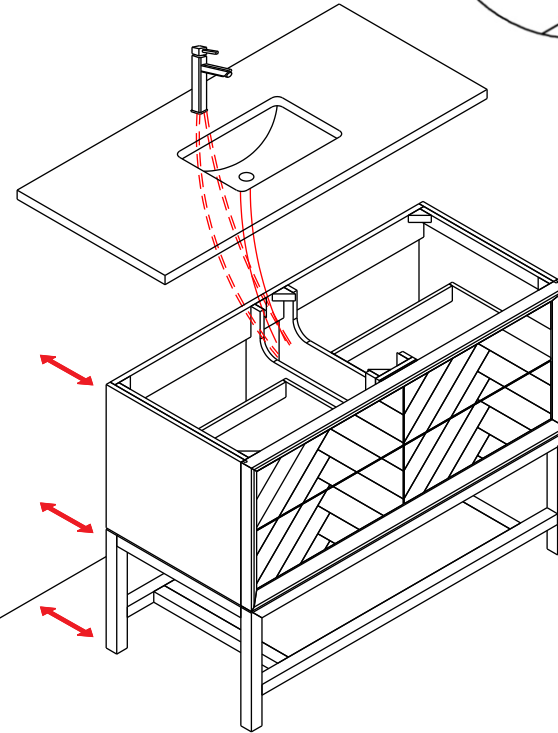
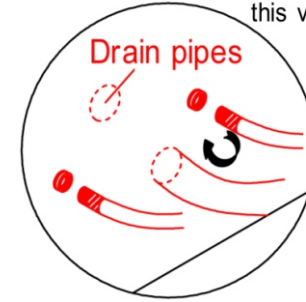
## STEP 7

NOTE

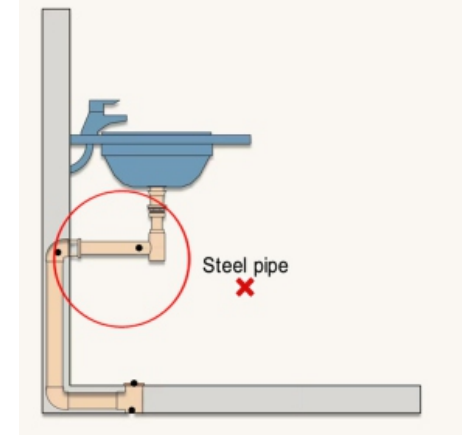
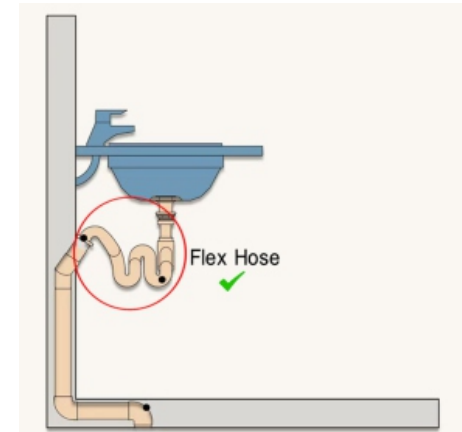
Connect all pipes ( hot/cold water pipes & wall drain )

Drain pipes

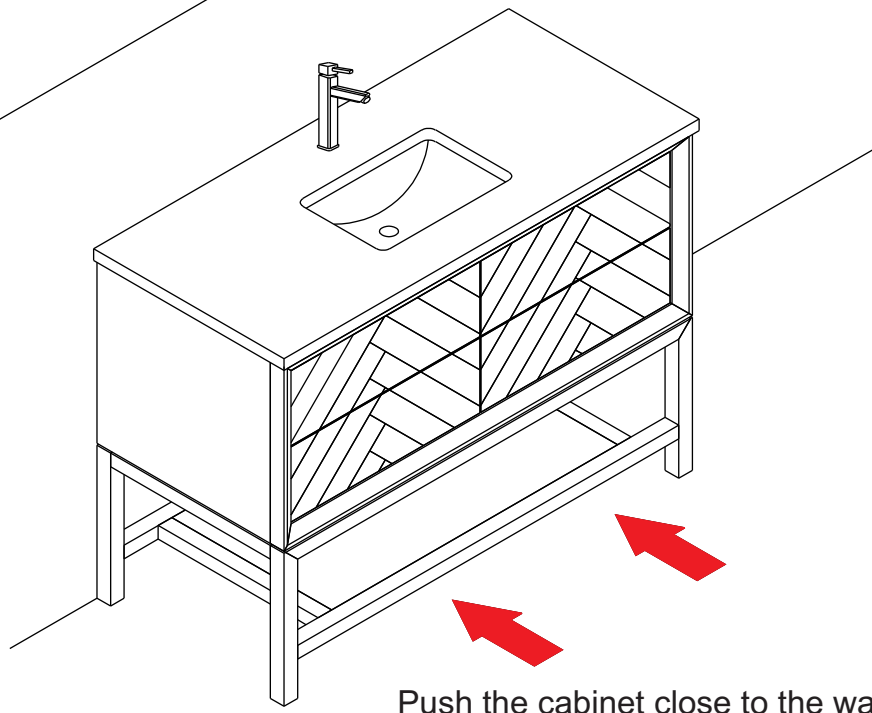
We suggest to use flex hose for this vanity in drain connection



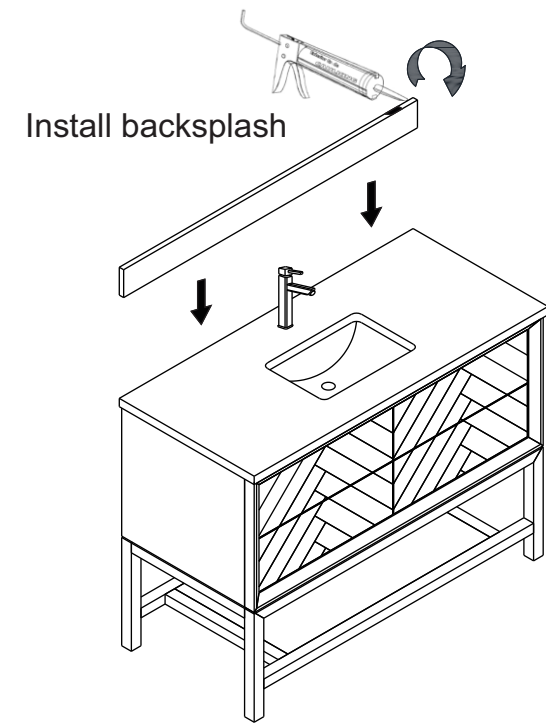
Leave some spaces for convenient working



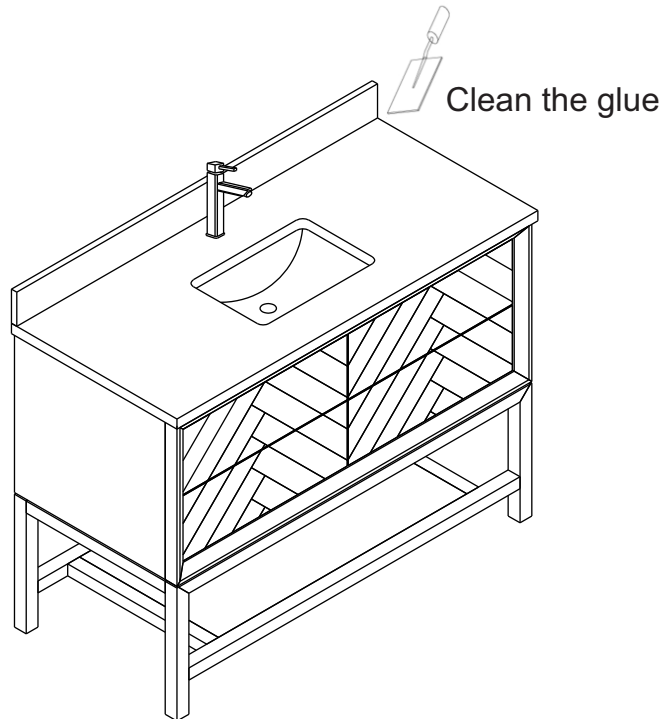
STEP 8



STEP 9



STEP 10



STEP 11

