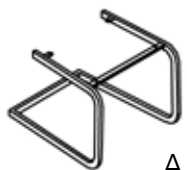
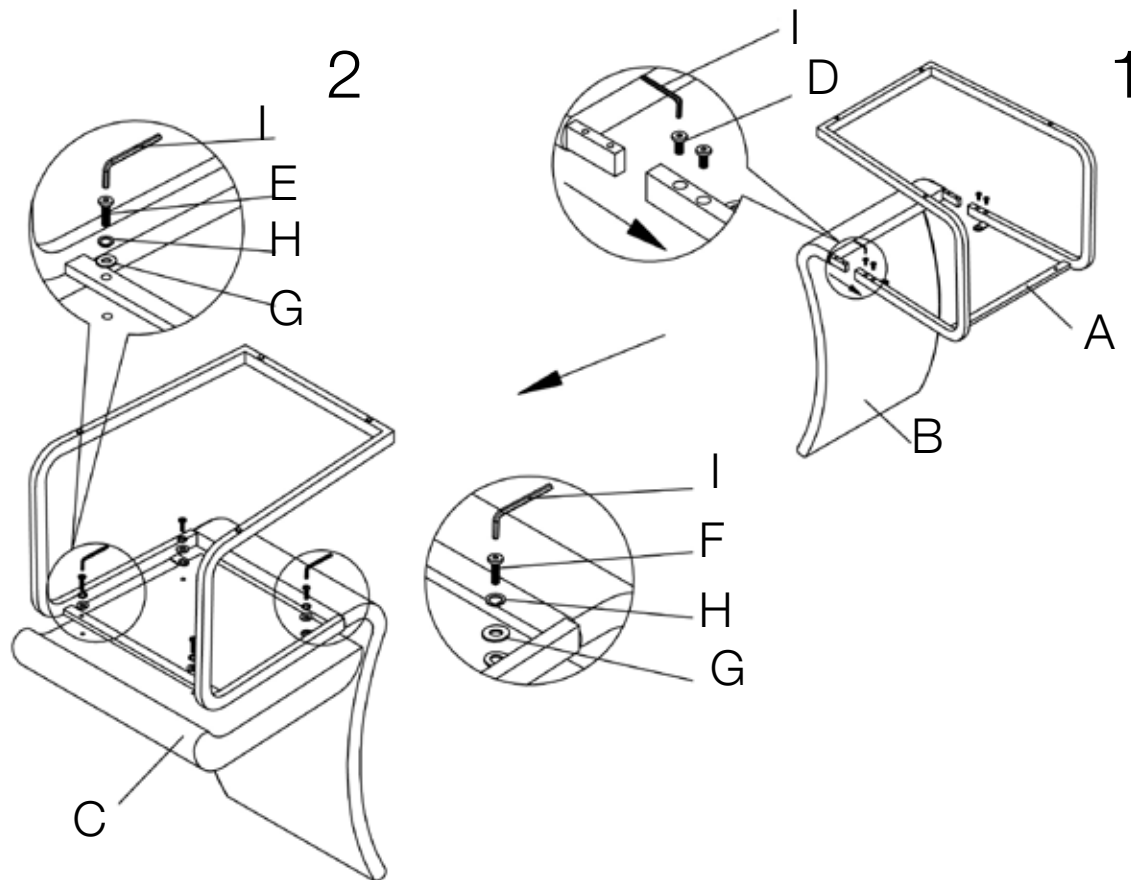


Assembly Instructions

EPIFANIA Side Chair



PLEASE NOTE: Check that you have received all components and hardware before assembling. If you are missing any parts, contact your retailer.



A (1 PC)



C (1 PC)



E (2 PCS)
M6-1.0 x 20mm



G (2 PCS)



B (1 PC)



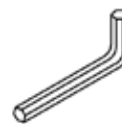
D (4 PCS)
M6-1 x 10mm



F (2 PCS)
M6-1 x 16mm



H (2 PCS)



I (1 PC)

During assembly, hand tighten screws only. When all screws are in place, then tighten completely.