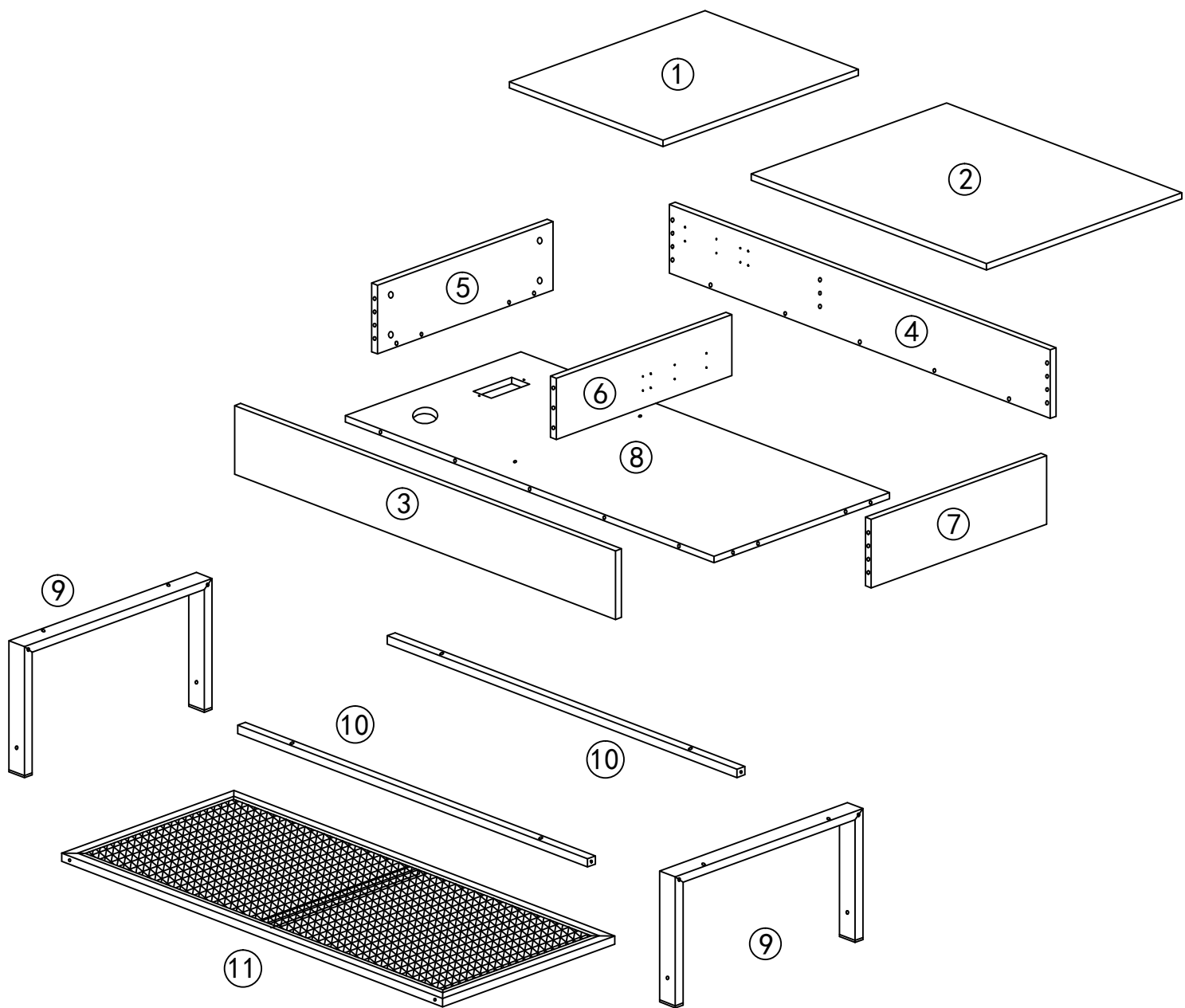
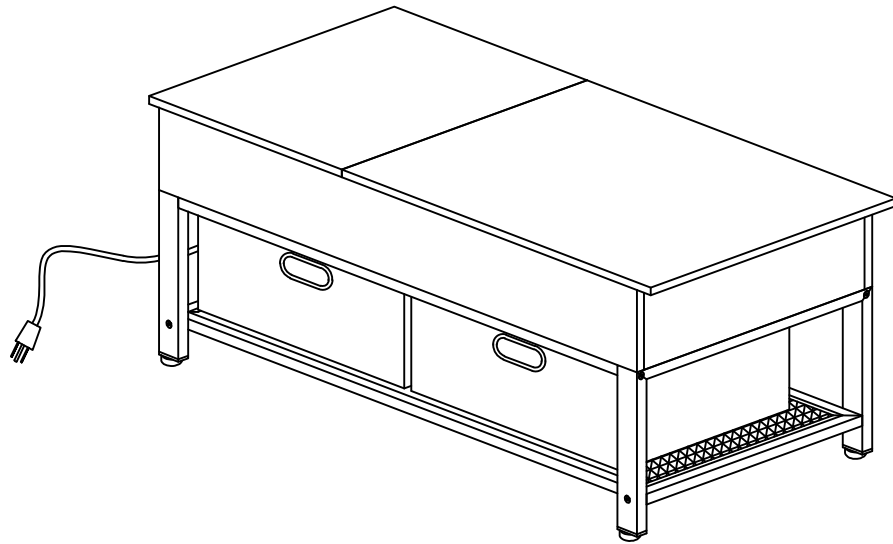
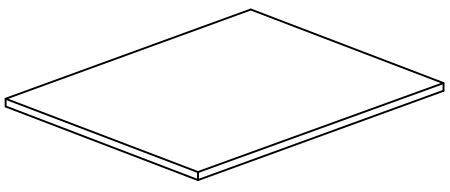
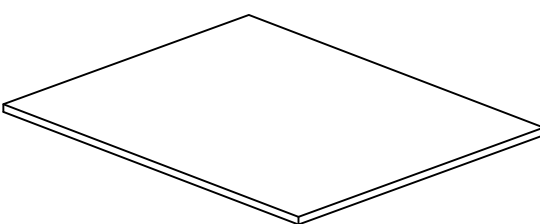
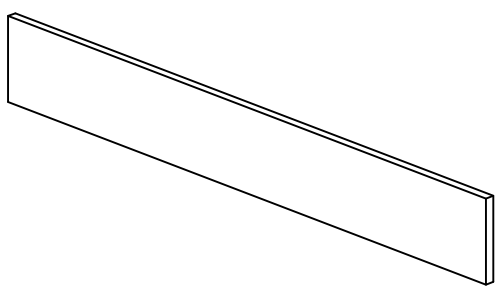
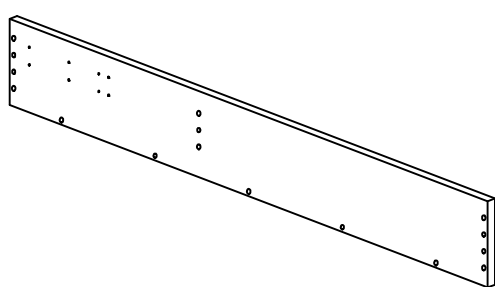
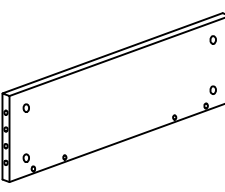
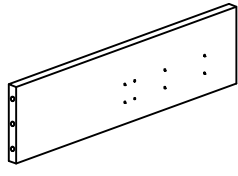
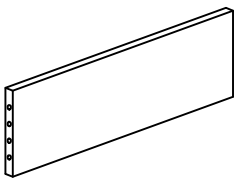
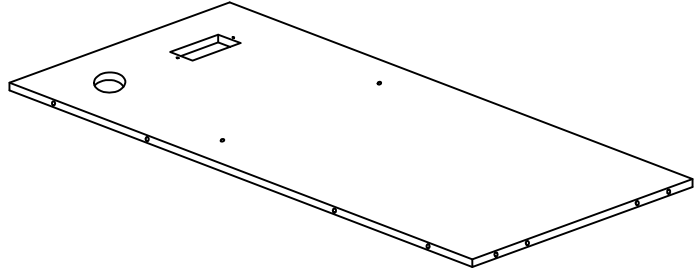
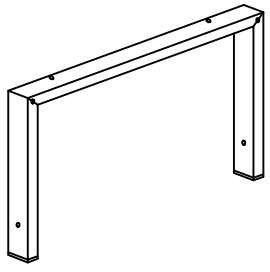
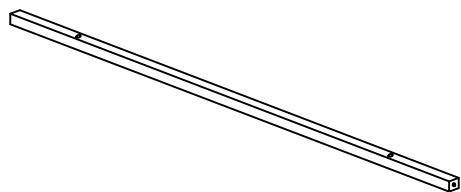
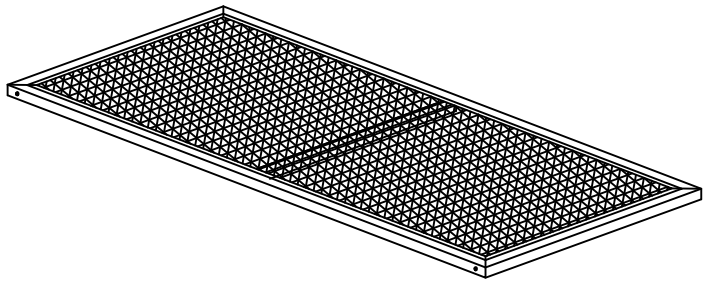
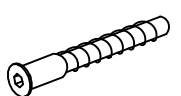
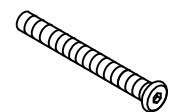





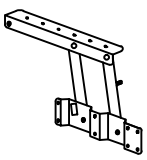
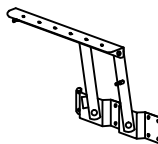
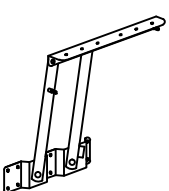
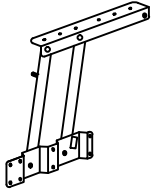


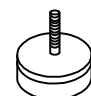

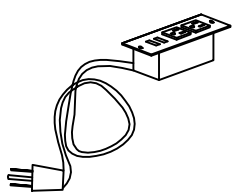
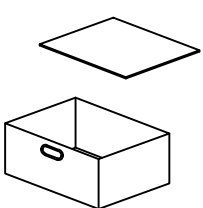
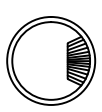
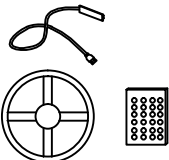

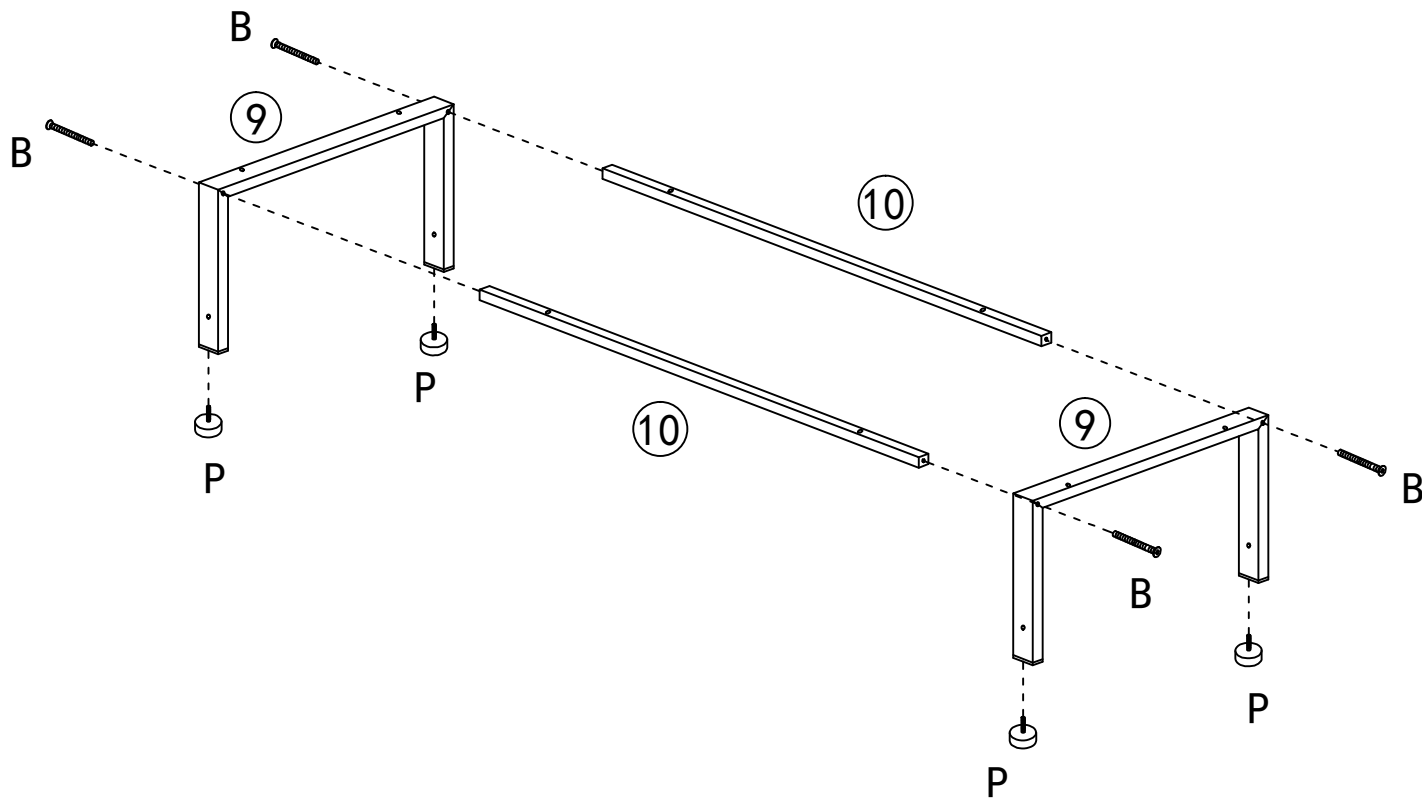
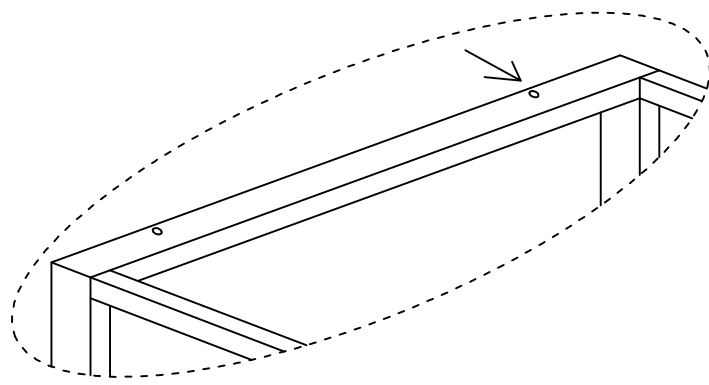


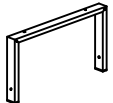



ASSEMBLY INSTRUCTION



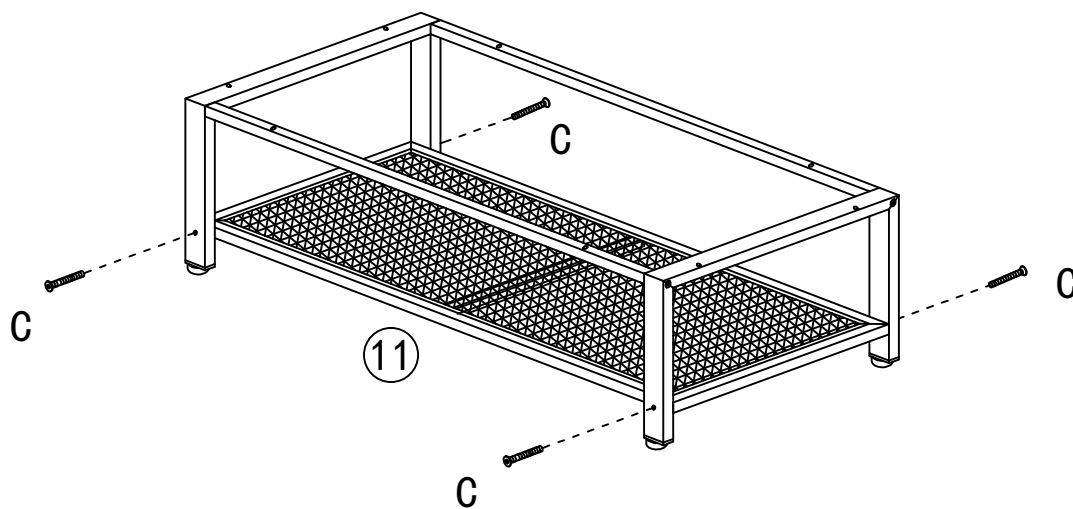
① *1 		② *1 		③ *1 	
④ *1 		⑤ *1 		⑥ *1 	
⑦ *1 		⑧ *1 		⑨ *2 	
⑩ *2 			⑪ *1 		
A × 10  M7*50	B × 4  M6*60	C × 4  M6*35	D × 58  M3.5*14	F × 8  M5	
G × 22 	H × 22 	I × 1 	J × 1 	K × 1 	
L × 1 	M × 2  60N	N × 2  80N	P × 4 	Q × 18  ∅8 × 50	
R × 1 	S × 2 	T × 1 	U × 1 	V × 1  2/8.	

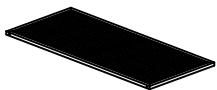

STEP1:



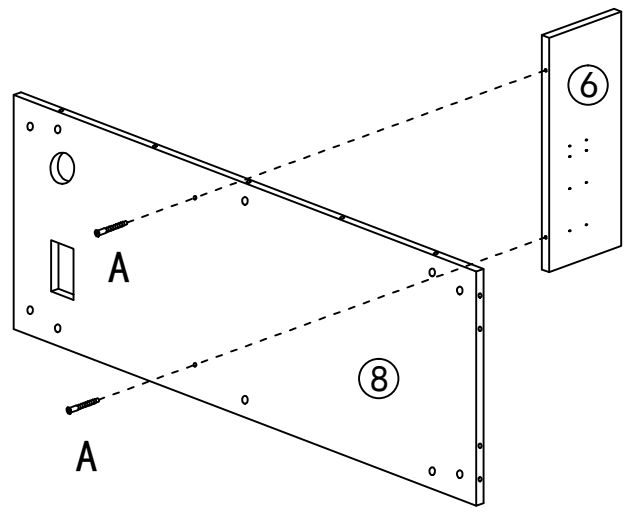
⑨		*2	⑩		*2	B		*4	P		*4
---	---	----	---	---	----	---	---	----	---	---	----

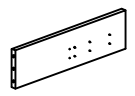
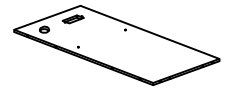
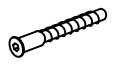
STEP2:



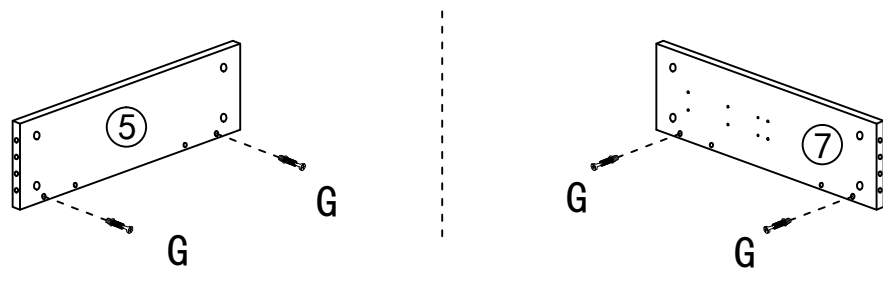
⑪		*1	C		*4
---	---	----	---	---	----

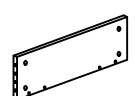


STEP3:



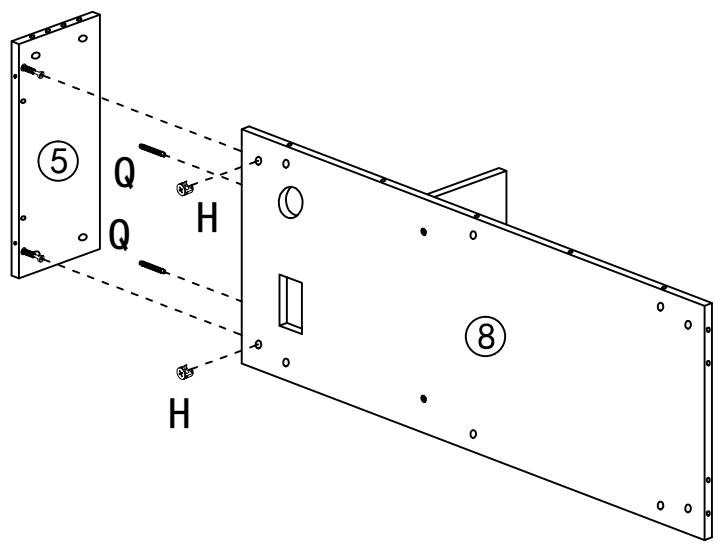
⑥		*1	⑧		*1	A		*2
---	---	----	---	---	----	---	---	----



STEP4:



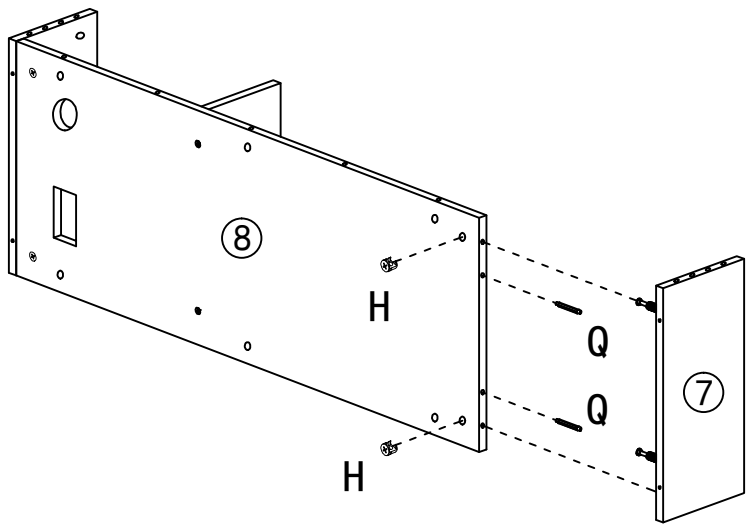
⑤		*1	⑦		*1	G		*4
---	---	----	---	---	----	---	---	----



STEP5:



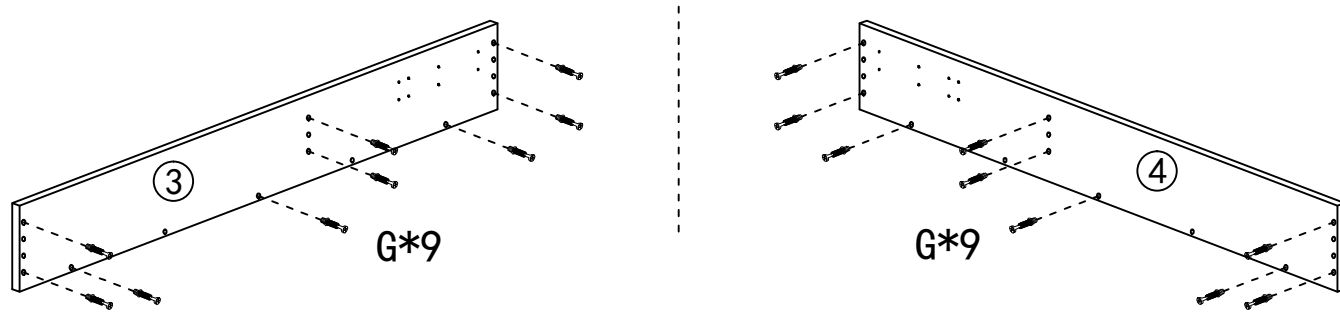
H		*2
Q		*2

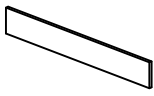
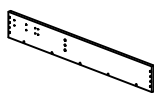

STEP6:



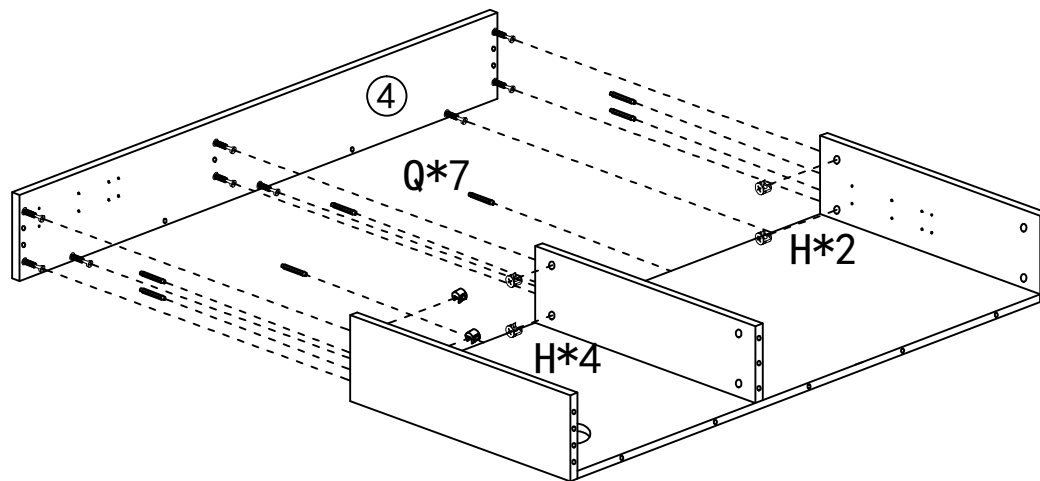
H		*2
Q		*2



STEP7:



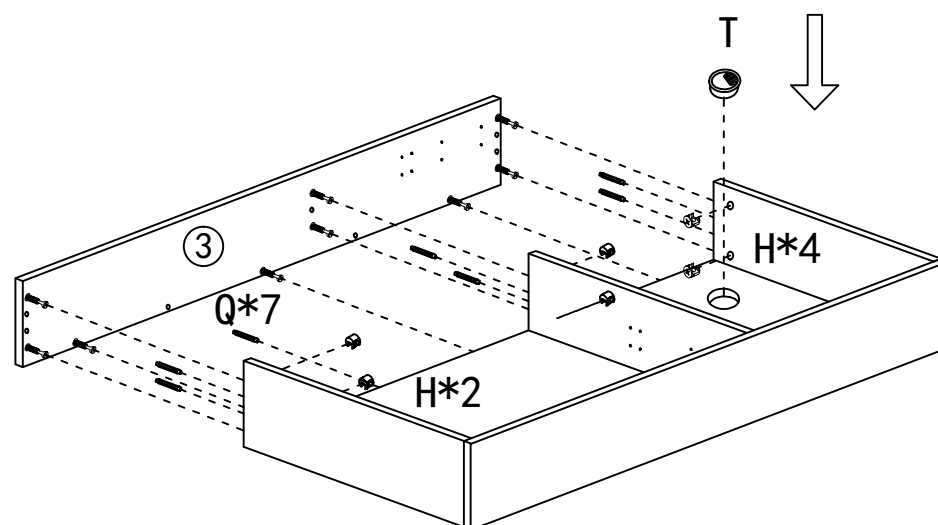
③	 *1	④	 *1	G	 *18
---	--	---	--	---	---




STEP8:



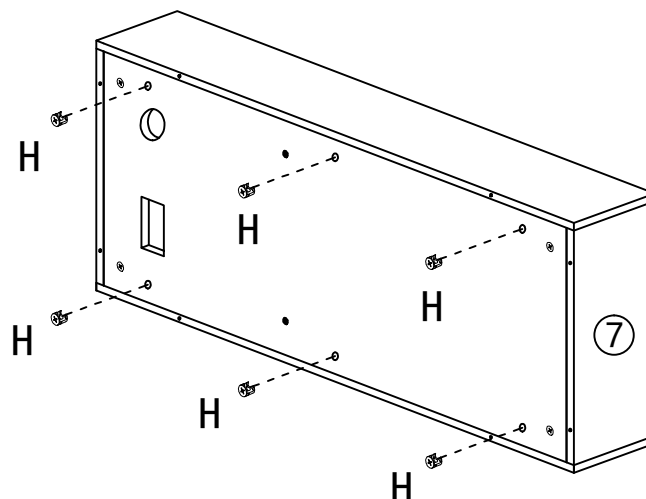
H	 *6
Q	 *7


STEP9:



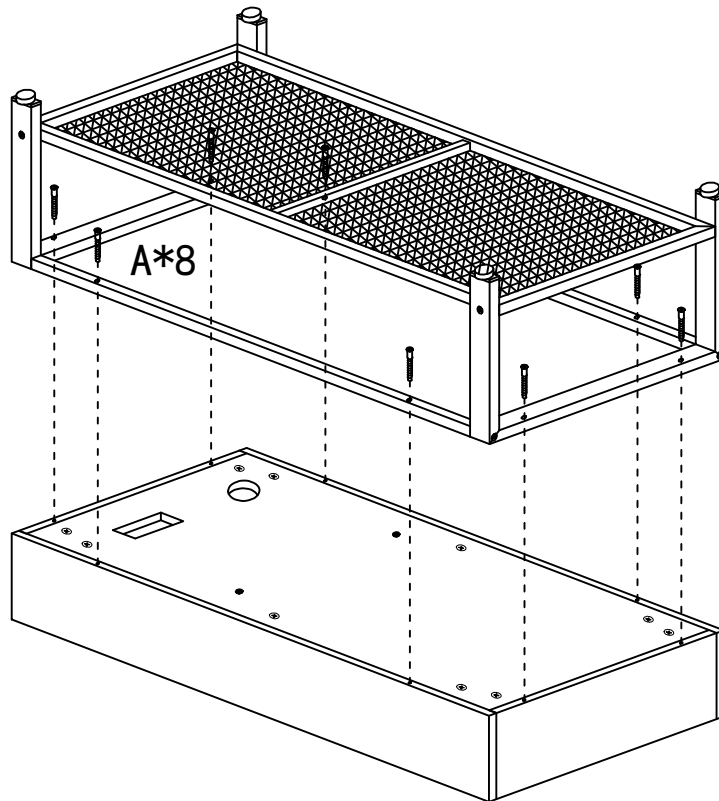
H	 *6
Q	 *7
T	 *1


STEP10:



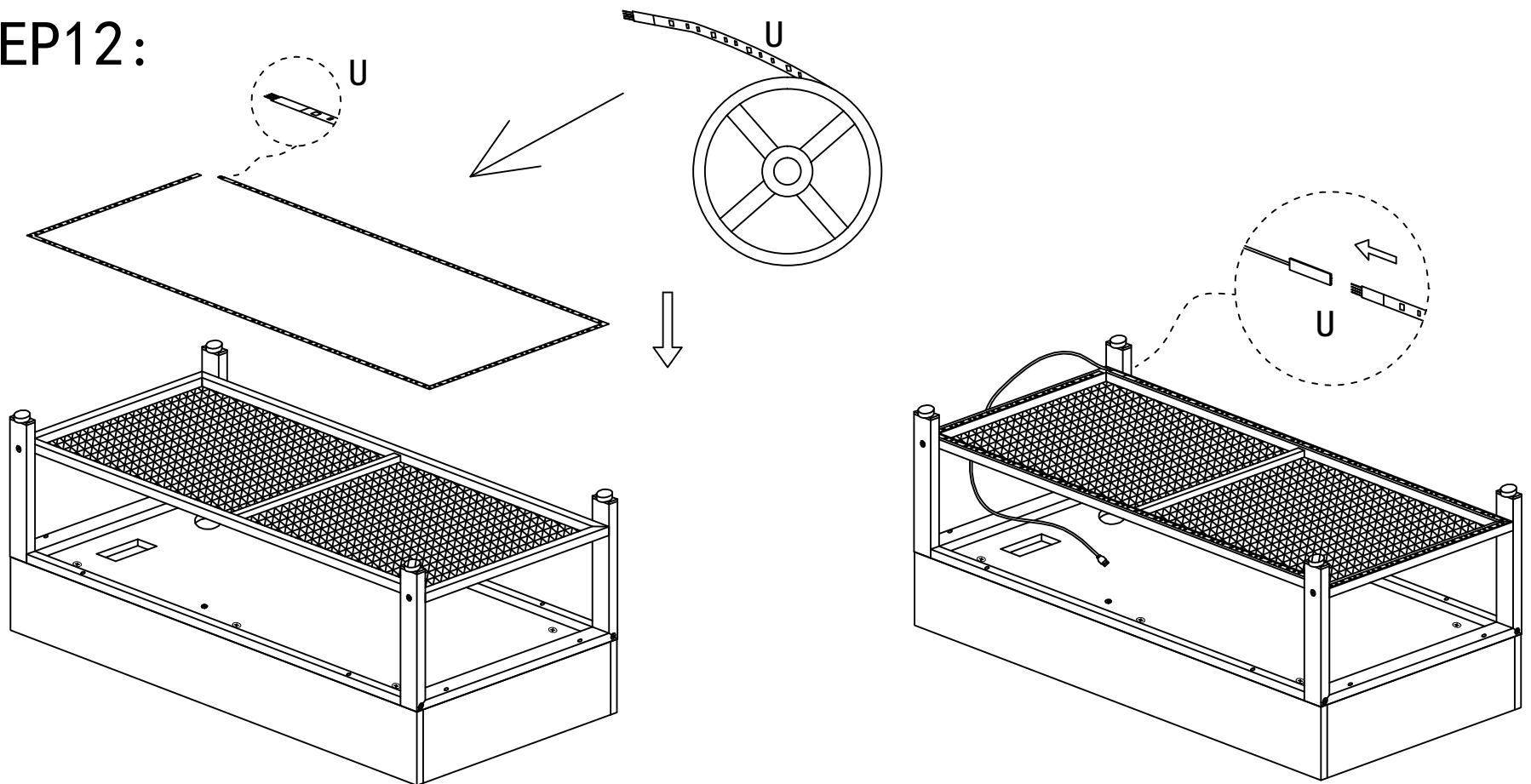
H	 *6
---	--

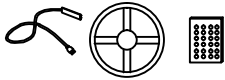
STEP11:



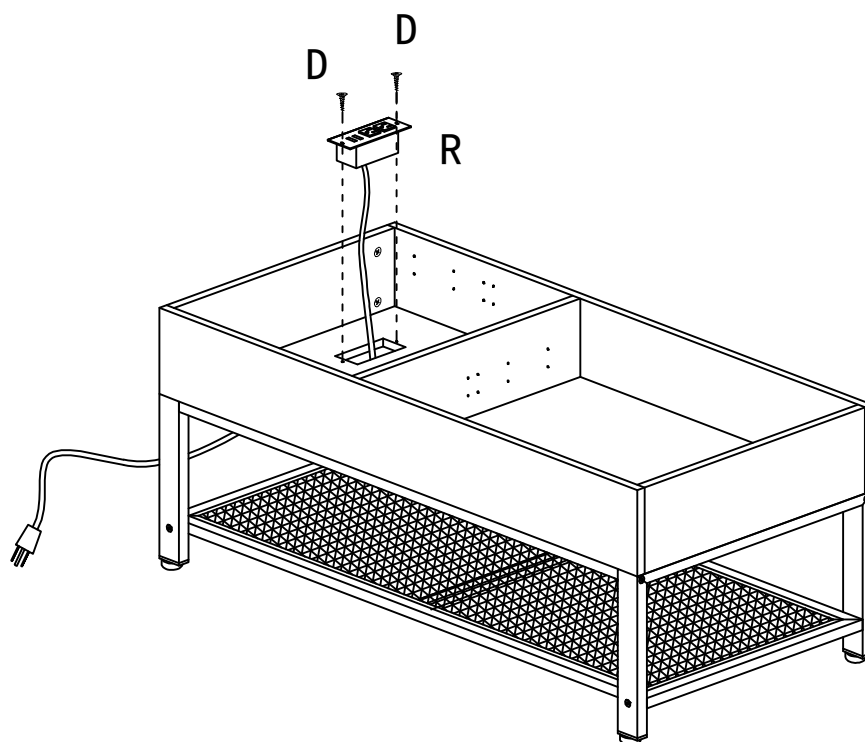
A		*8
---	---	----


STEP12:

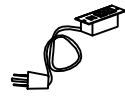


U		*1
---	---	----

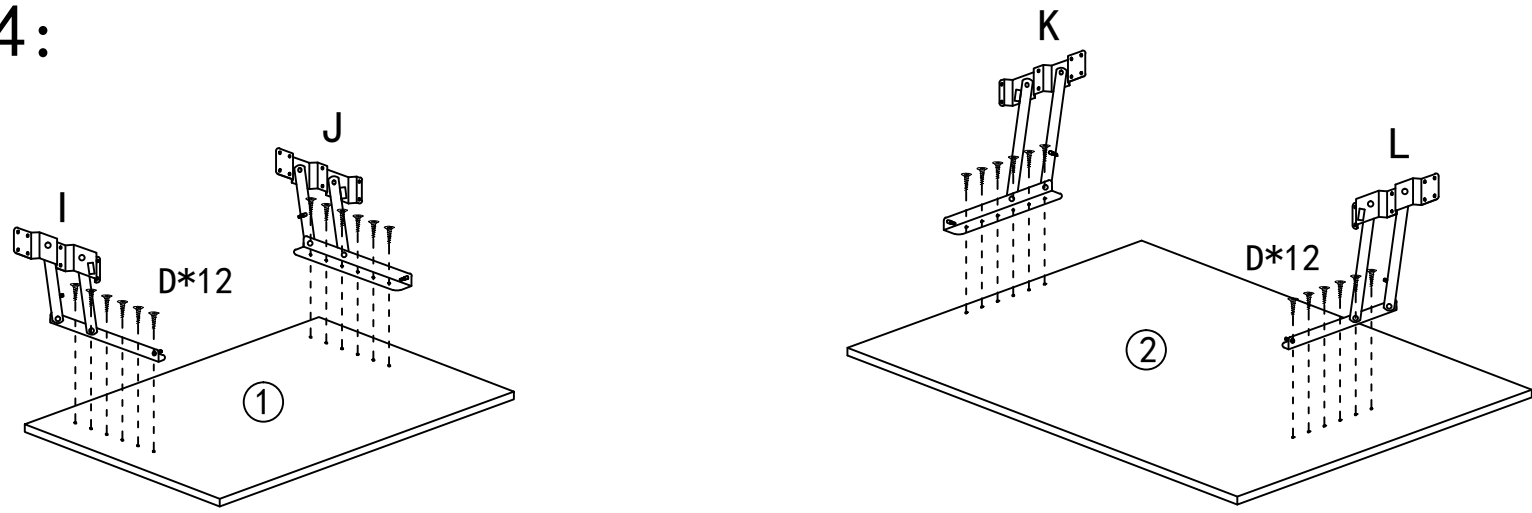
STEP13:



D		*2
---	---	----

R		*1
---	---	----

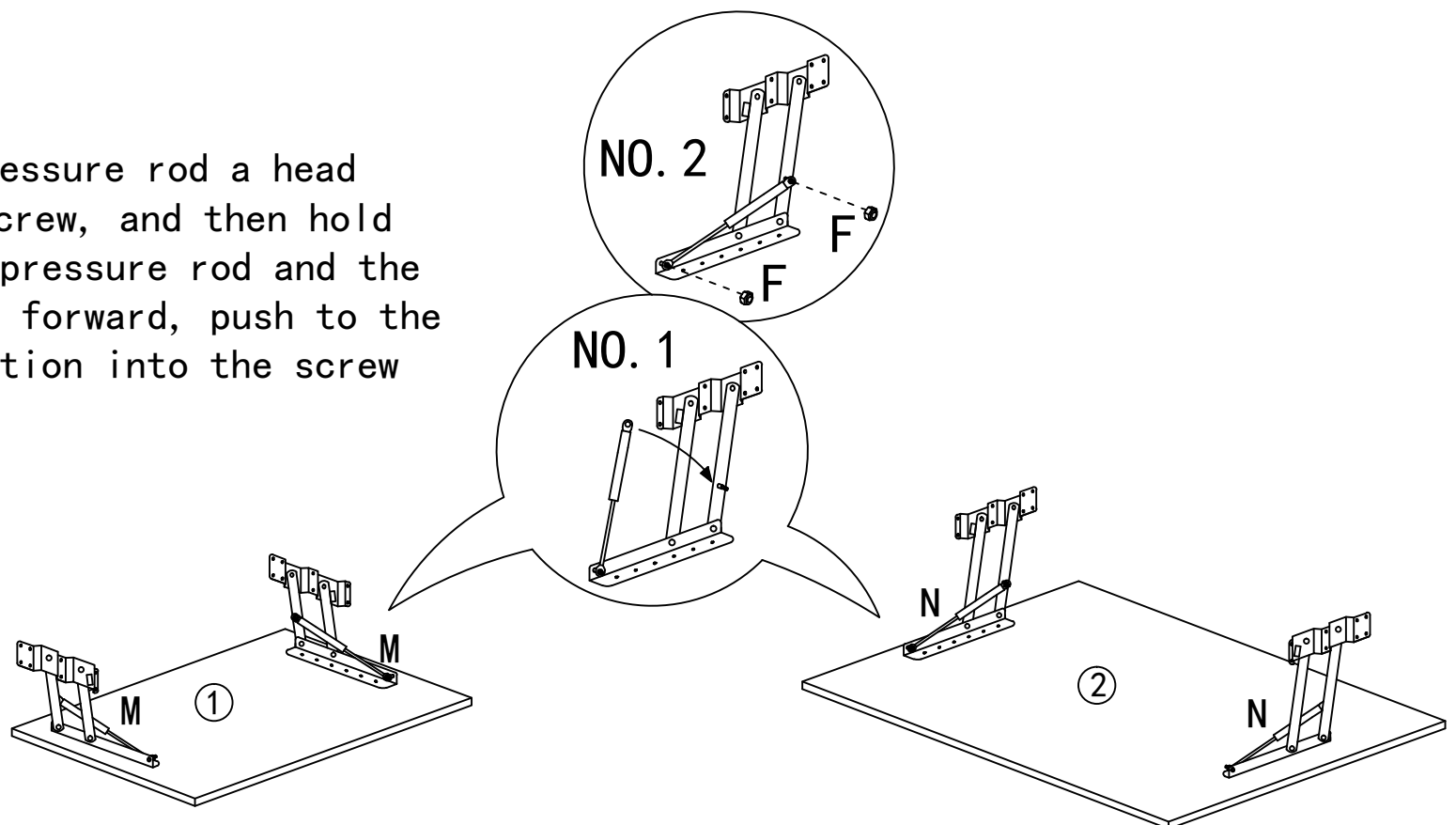
STEP14:



①	*1	②	*1	D	*24		
I	*1	J	*1	K	*1	L	*1

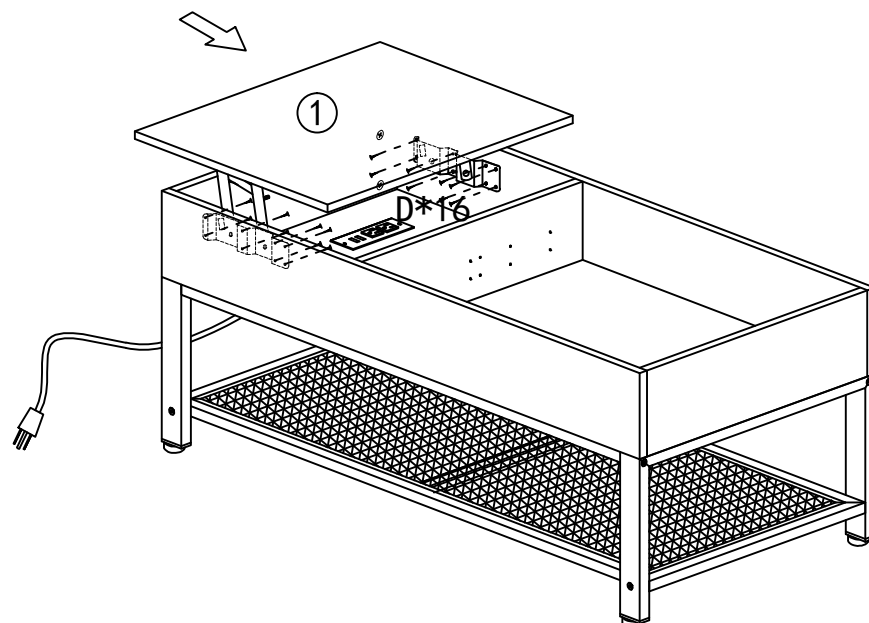
STEP15:

First put the pressure rod a head into the front screw, and then hold the tail of the pressure rod and the tail screw flush forward, push to the appropriate position into the screw



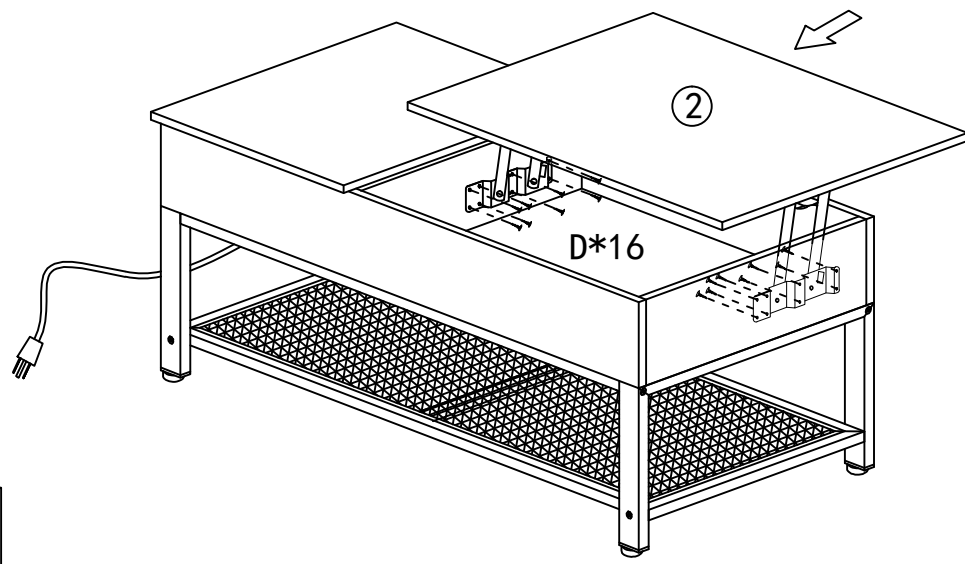
F	*8	M	*2	N	*2
---	----	---	----	---	----


STEP16:



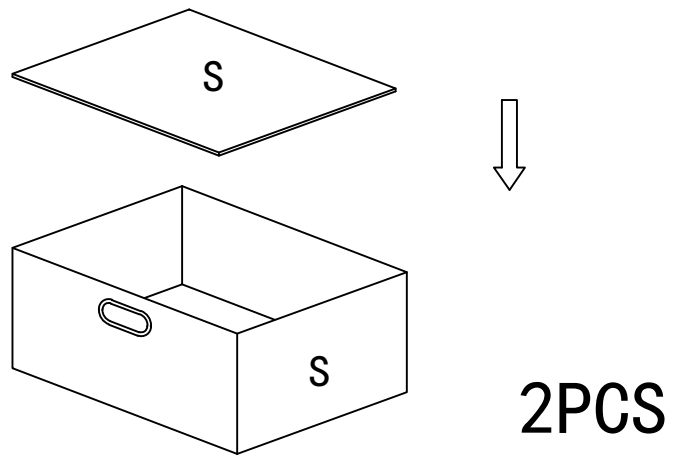
D	*16
---	-----

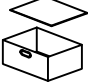
STEP17:



D		*16
---	---	-----

STEP18:



S		*2
---	---	----

STEP19:

