



USER'S MANUAL

BBQ Grill Gazebo













PARTS LIST

READ AND SAVE THESE INSTRUCTIONS




Please read instruction carefully and identify all the parts before assembly.

※ Caution : Small parts like nuts and bolts, may pose a choking hazard to young children.

Keep out of reach of small children.

No.	Picture	Description	Qty
A		Pillar	2
B		Pillar	1
B1		Pillar	1
C		Long Top Beam	2
D		Short Top Beam	2
E		U-shape Connector	6
F		Top Tube	4
F1		Top Tube	2
G		Connector Hub	1
H		Side Shelf	2
I		Hook	1
J		Shelf Support Frame	4

PARTS LIST

No.	Picture	Description	Qty
K		Large Canopy Fabric	1
L		Small Canopy Fabric	1
M		Bolt (M6x15mm)	27
N		Bolt (M6x20mm)	8
O		Bolt (M6x30mm)	14
Q		Nut	6
R		Ground Stake	8
S		Hex Wrench	1
T		Driver	1
U		Bolt Cap	37
V		Nut Cap	6
W		Leg Cap	4
Y			1

ASSEMBLY INSTRUCTIONS

STEP 1:
Slide the four Leg Caps (W) onto the each Pillar (A/B/B1). Attach the U-Shape Connector (E) to the top end of each Pillar (A/B/B1), using Bolt (M). Repeat this step 4 times as shown in Figure 1.

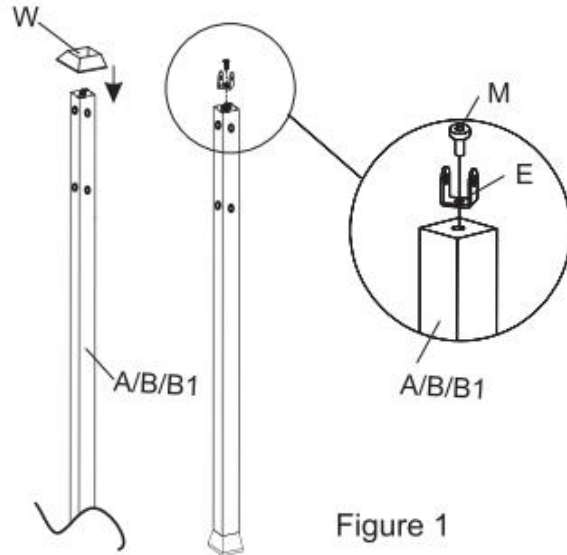


Figure 1

STEP 2:
Attach Top Beams (C/D) to each of Pillars (A/B/B1) with Bolt (N) and Bolt Cap (U) as shown in Figure 2. Repeat this step with remaining Long and Short Beams (C/D) until all have been attached.

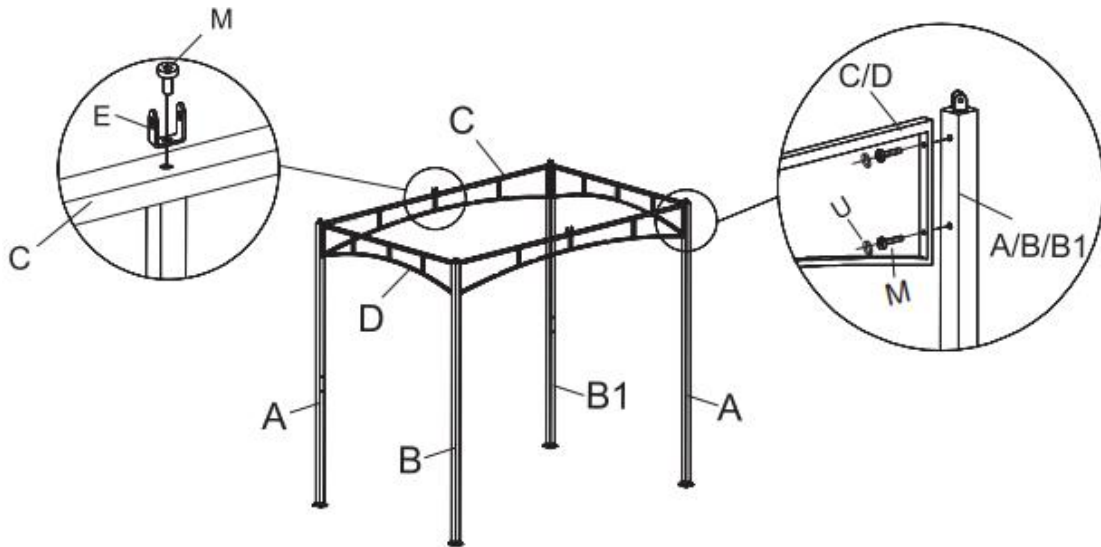


Figure 2

ASSEMBLY INSTRUCTIONS

STEP 5:

Attach the Small Canopy Fabric (L) to the Top Frame assembled in Step 3.

Note: There are four tube receivers in the four corners of the small and Large Canopy Fabric (L, K). **You may need to enlist "team work" by using ladders and two or more people to complete this step.**

Then Connect the Top Tube (F) of the Canopy Frame assembled in Step 3 with the U-shape Connector (E) to the Pillars (A/B/B1) in four corners with the Bolt (O), Nut (Q) and Nut Cap (V) as shown in Figure 5.

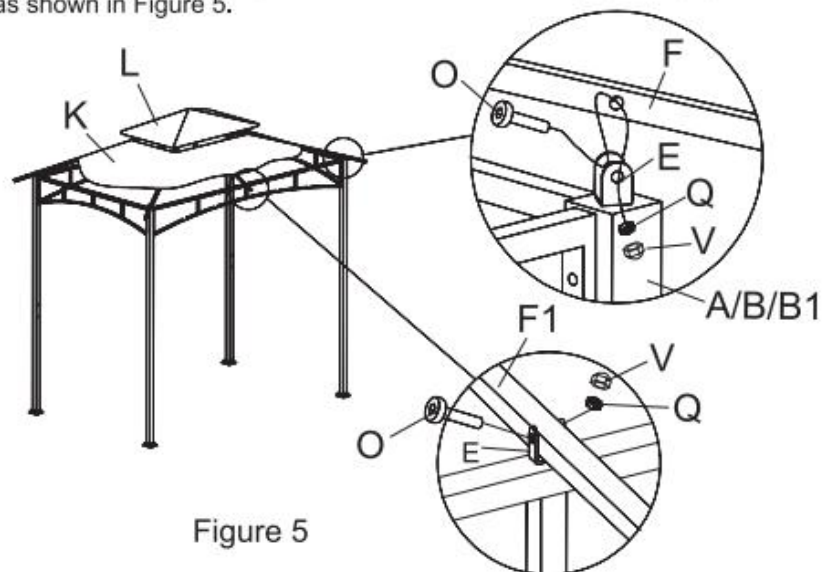


Figure 5

STEP 6:

Connect the Shelf Support Frame (J) with the Pillars (A/B), using Bolt (O) and Bolt Cap (U). Repeat this step 4 times to assembly each of the Pillars (A/B) as shown in Figure 6.

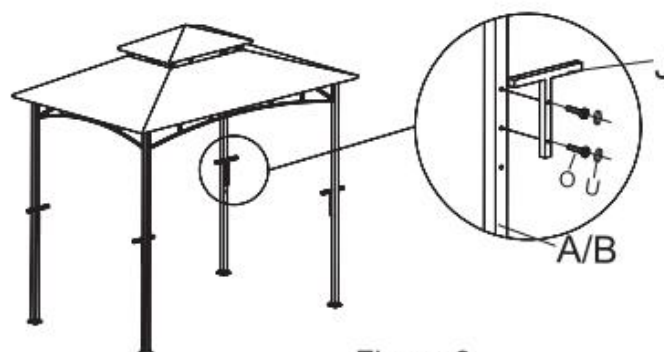
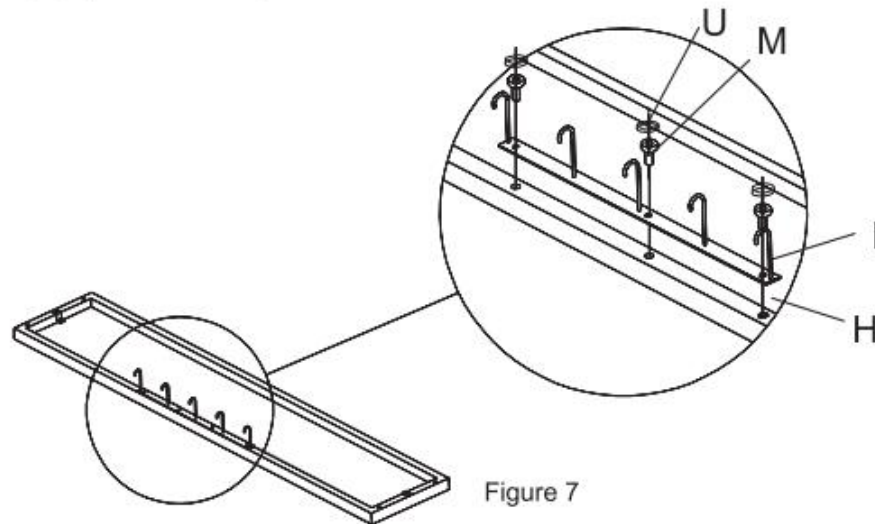


Figure 6

ASSEMBLY INSTRUCTIONS

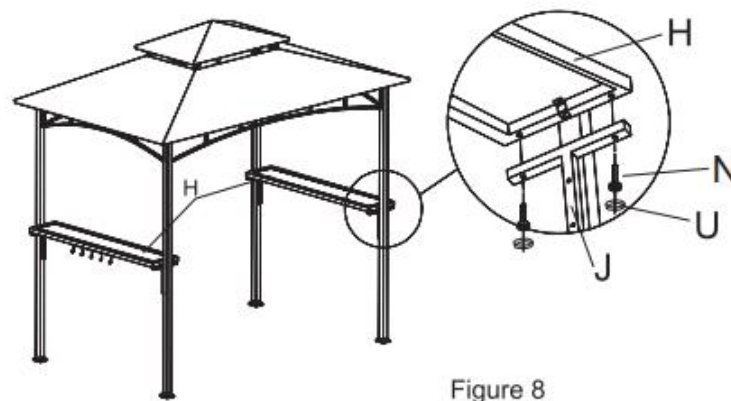
STEP 7:

Attach the Hook (I) to the Glass Side Shelf (H) with Bolt (M) and Bolt Cap (U) as shown in Figure 7.



STEP 8:

Attach the Side Shelf (H) to the Shelf Support Frame (J) with Bolt (O) and Bolt Cap (U) as shown in Figure 8.



STEP 9:

Fixed the bottom hole of each of four Pillars (A/B/B1) to a solid surface, ground, patio, deck etc. by using the Ground Stake (R). Repeat this step to attach the shelves at each of the four corners as shown in Figure 9.

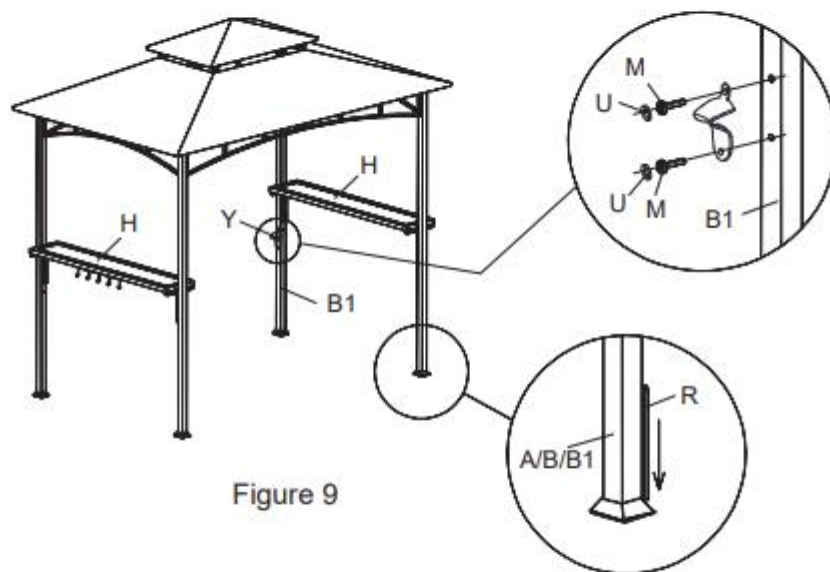


Figure 9

NOTE: The side tables are adjustable to two heights, 24 in. and 30 in. There is a cap pre-inserted in the lowest hole on each Pillar. Please remove the cap for the hole first if you want to adjust the table height to 24 in. for the first time. And then use included bolt & cap in unused hole in pillar once attached.

Now please enjoy your new grill gazebo.