

AXOR One

Shut-off valve for concealed installation

Finish: **Brushed Black Chrome** Article Number: **45771340**



product features

- comfortable turning on / off of outlets with large Select-paddle
- connection type: basic set
- 1 function
- connection dimension: DN15
- material: metal

Technology



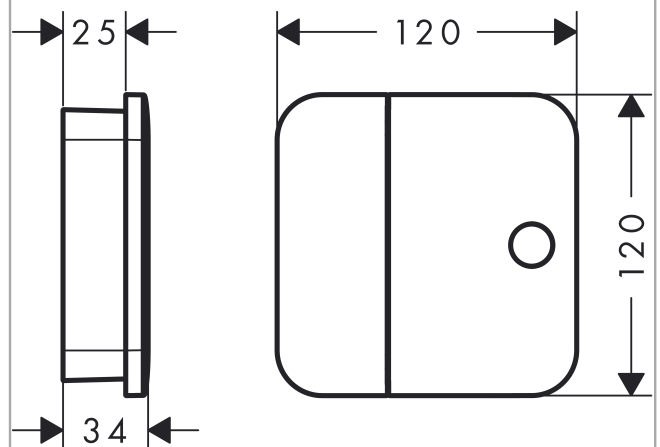
Design awards



Product image



Scale drawing

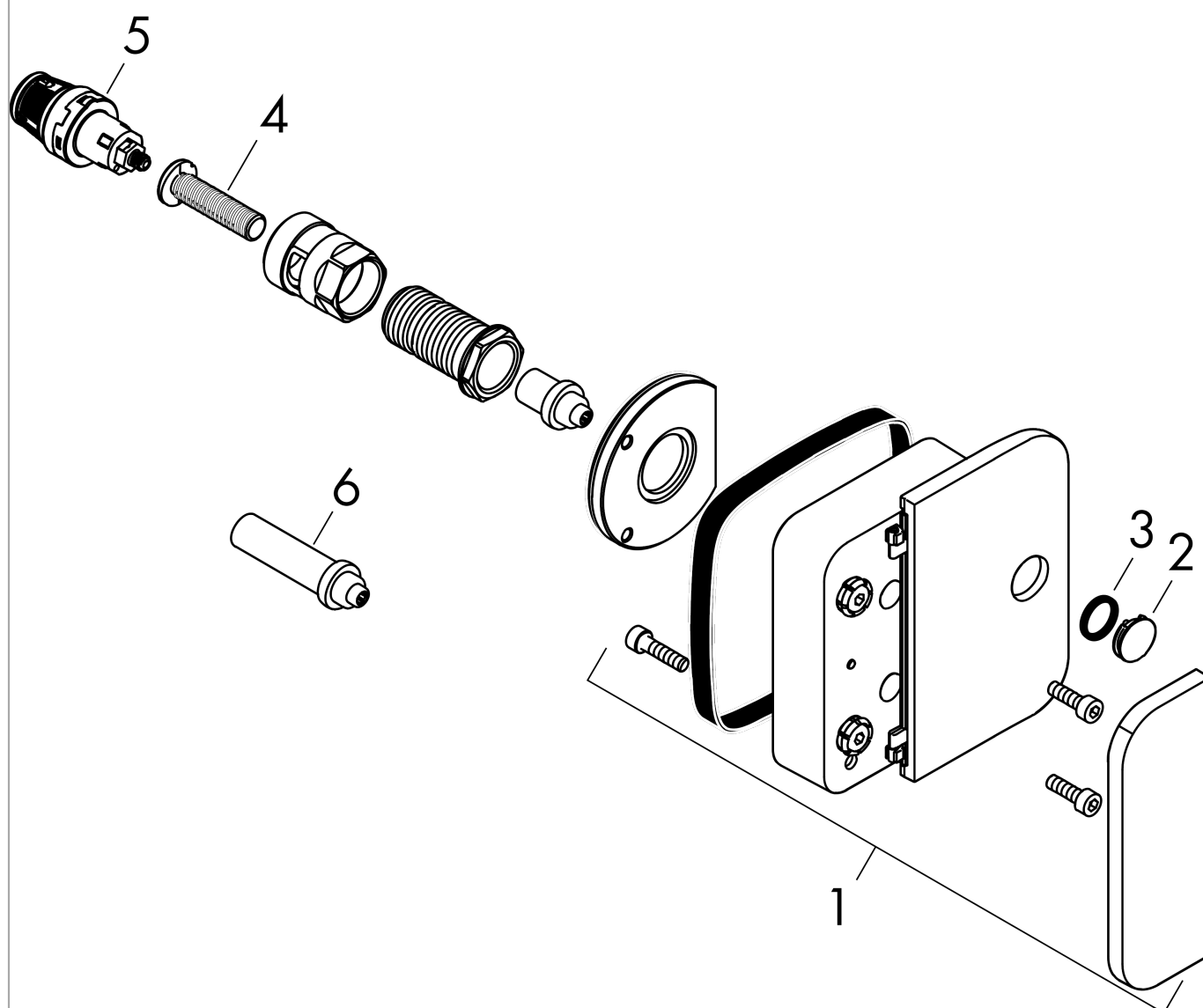


AXOR One
Shut-off valve for concealed installation
Finish: **Brushed Black Chrome** Article Number: **45771340**



Exploded Drawing

Year of production: >11/16



AXOR One
Shut-off valve for concealed installation
 Finish: **Brushed Black Chrome** Article Number: **45771340**



Spare part list

Year of production: >11/16

| Pos. | | Article Number | PC | PU |
|------|------------------------|----------------|----|----|
| 1 | escutcheon with handle | 92743340 | 99 | 1 |
| 2 | set of symbols | 92541330 | 64 | 1 |
| 3 | O-ring 13x2 | 98128000 | 1 | 1 |
| 4 | Select-adapter | 92219000 | 2 | 1 |
| 5 | shut off unit | 95758000 | 14 | 1 |
| 6 | extension 25 mm | 93421000 | 11 | 1 |
| a | base body | 45770180 | 99 | 1 |