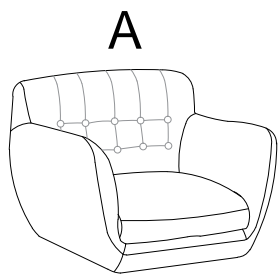


10'

1



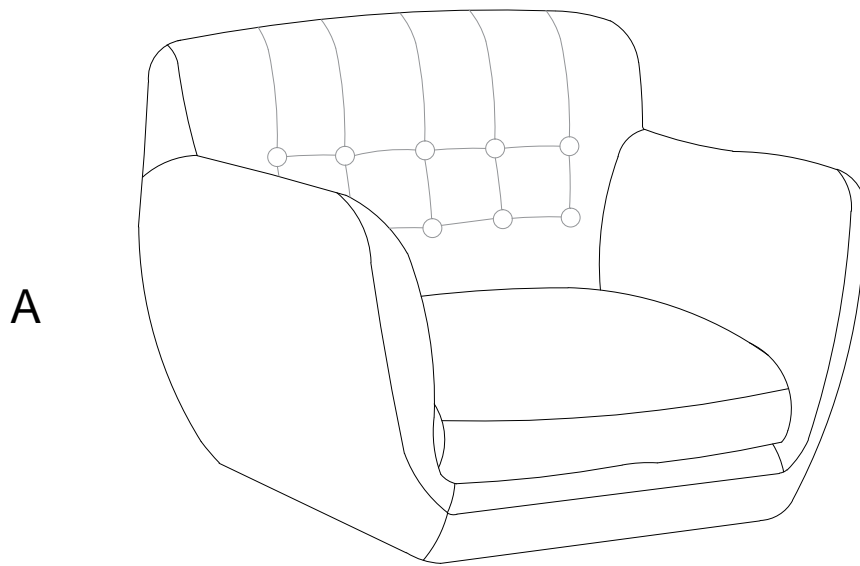
A

x 1

B

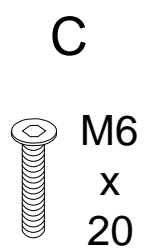
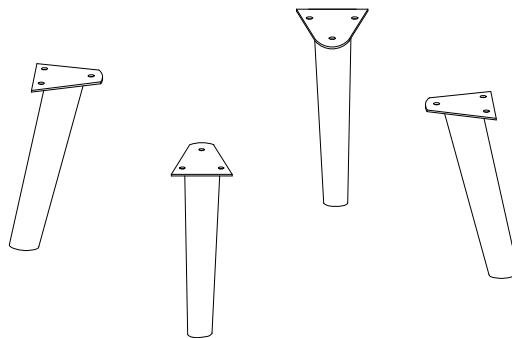


x 4



A

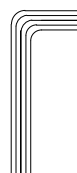
B x 4



M6
x
20

x 12

D



x 1

1

