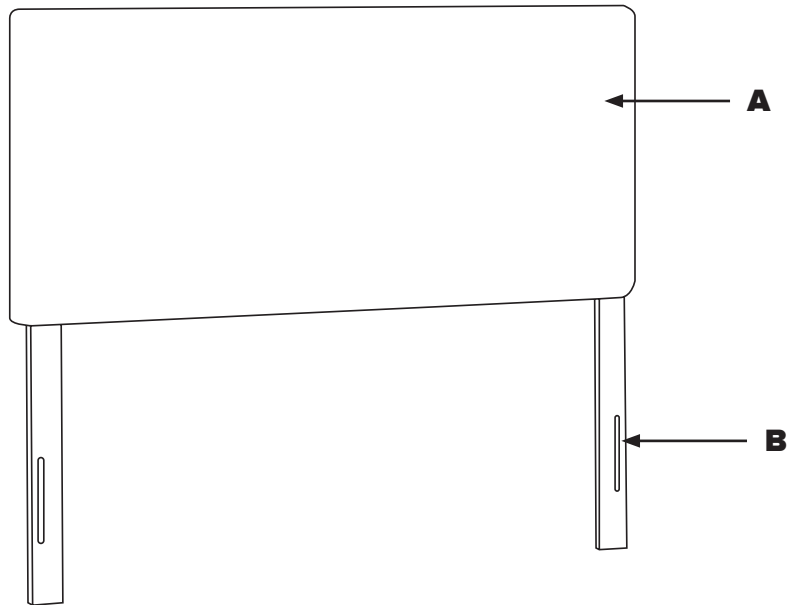


# STANDARD HEADBOARD ASSEMBLY

## COMPONENTS

ITEM	DESCRIPTION	QTY
<b>A</b>	Headboard	1
<b>B</b>	Headboard Leg	2

*Please note: actual headboard may look different than illustration.*



## HEADBOARD HARDWARE



**(H1) x 4**  
1 3/4" x 5/16" bolt



**(H2) x 12**  
1 1/4" washer



**(H3) x 4**  
1 1/2" x 1/4" bolt



**(H4) x 4**  
1/4" nuts

*Please note: you will need a flat head screwdriver, phillips head screwdriver, and a wrench to assemble your headboard.*

### LIMITED WARRANTY

Inc. guarantees its upholstered furniture against defects in construction for a period of one (1) year. When a structural defect is brought to our attention, we will repair or replace it at our option at no charge to the customer (including parts and labor, not transportation costs). Fabric wearability for upholstered furniture is not covered by the warranty. Vacuum for regular cleaning.

PLEASE DISPOSE OF PLASTIC BAG(S) AND CARTON(S) RESPONSIBLY.

### LIMITE DE GARANTIA

garantiza sus muebles tapizados contra defectos en construcción por un periodo de un (1) año. Cuando un problema de estructura es traído a nuestra atención, nosotros repararemos o remplazaremos sin ningun cargo a nuestro cliente (incluye partes y trabajo, no costo en transportacion). Descoloramiento del material de muebles tapizados no es cubierto por la garantía. Regularmente puede aspirar.

POR FAVOR TIRAR BOLSA(S) Y CAJA(S) RESPONSABLEMENTE.

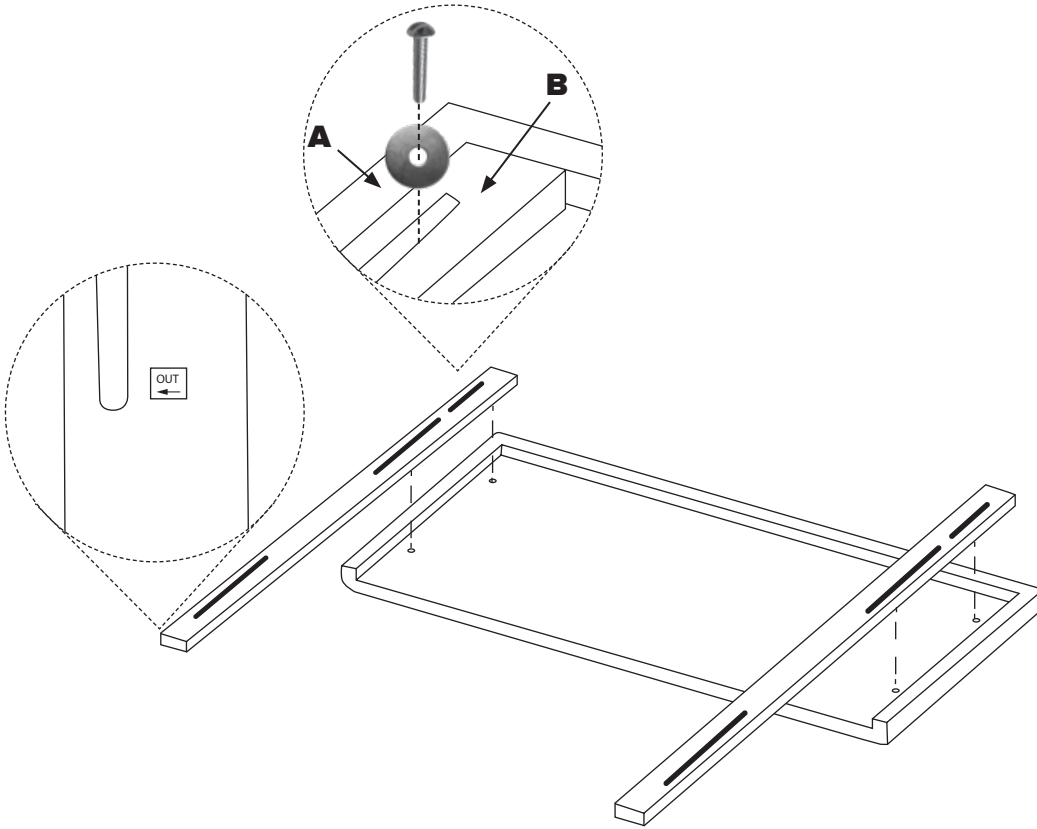
### GARANTIE LIMITÉE

garantit ses meubles rembourrés contre les défauts de construction pendant une période d'un (1) an. Lorsqu'un vice de construction nous est signalé, nous réparons ou remplaçons le meuble, selon notre choix, sans frais pour le client (incluant les pièces et la main-d'oeuvre, mais excluant les frais de transport). La durabilité du tissu des meubles rembourrés n'est pas couverte par la garantie. Nettoyer régulièrement avec un aspirateur.

VEUILLEZ JETER LE OU LES SAC(S) EN PLASTIQUE ET BOÎTE(S) DE FAÇON RESPONSABLE.

# STANDARD HEADBOARD ASSEMBLY

## STEP 1 - ATTACHING THE HEADBOARD LEGS



### 1.1

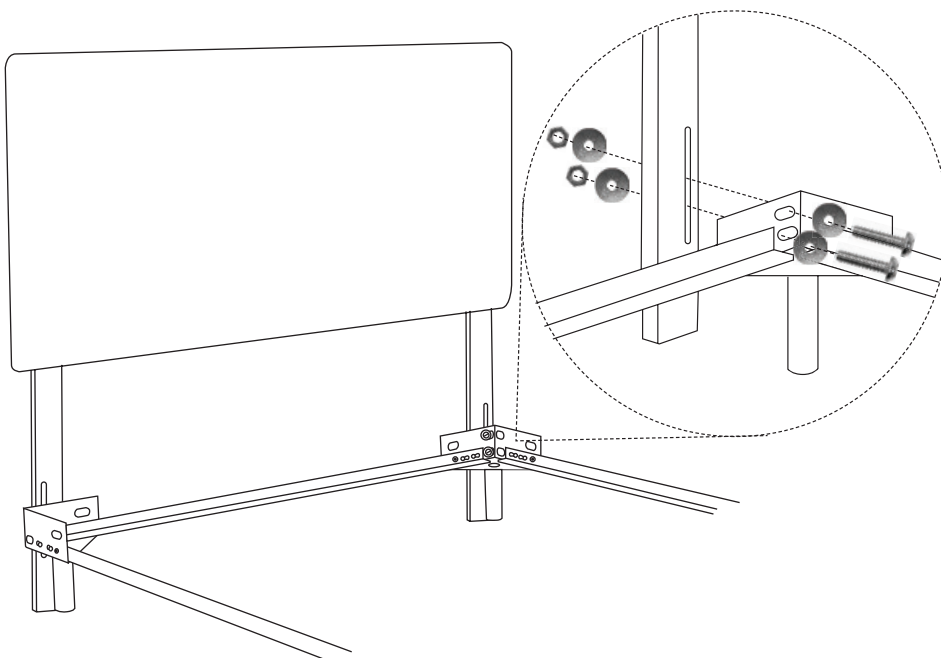
Place (A) headboard face down on a flat surface. Place (B) headboard legs on the back of (A) headboard, aligning the slots of the legs with the holes of the headboard.

*Please note: Make sure the “Out” sticker on each (B) headboard leg is facing the correct way.*

### 1.2

Attach (B) headboard legs to (A) headboard using (H1) bolts and (H2) washers. Tighten with a flat head screwdriver.

## STEP 2 - ATTACHING THE HEADBOARD TO YOUR BED FRAME



### 2.1

Attach the assembled headboard to your bedframe using (H3) bolts, (H2) washers and (H4) nuts. Tighten with a phillips head screwdriver and wrench.

*Please note: The height of your headboard can be adjusted by loosening the (H1) bolts and shifting the (A) headboard up or down.*

