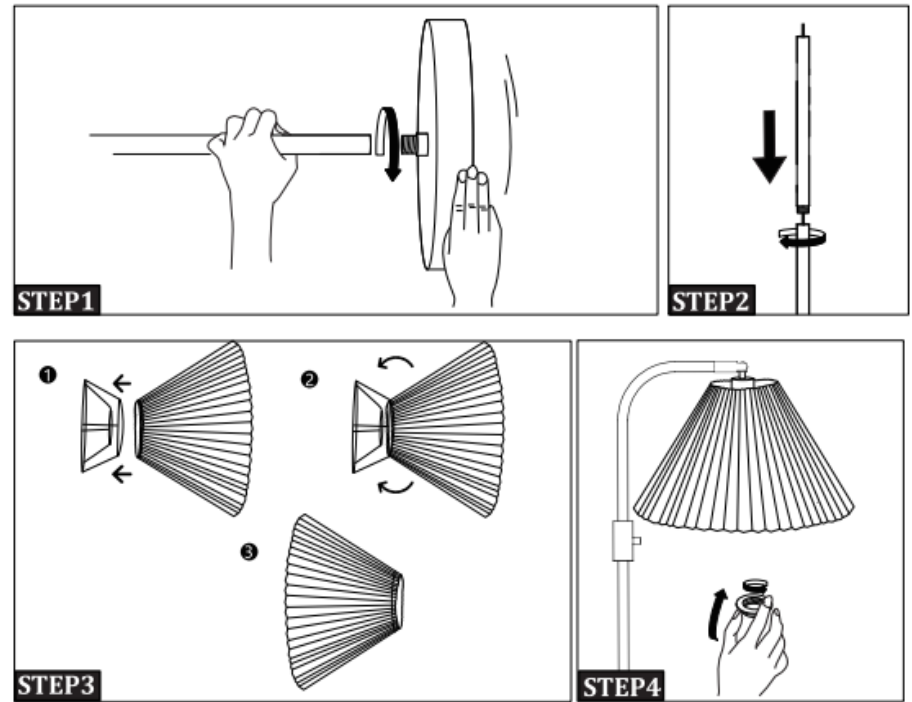


AA:Lampshade BB:Shade Frames CC:Socket Ring DD:Lamp Pole EE:Lamp Base



INSTALLATION GUIDE

First of all, make sure that all parts are present.

STEP1 Screw D and E tight by spinning E.

STEP2 Install each part of D.

STEP3 Fit the B part in the A part, attach one edge to another:

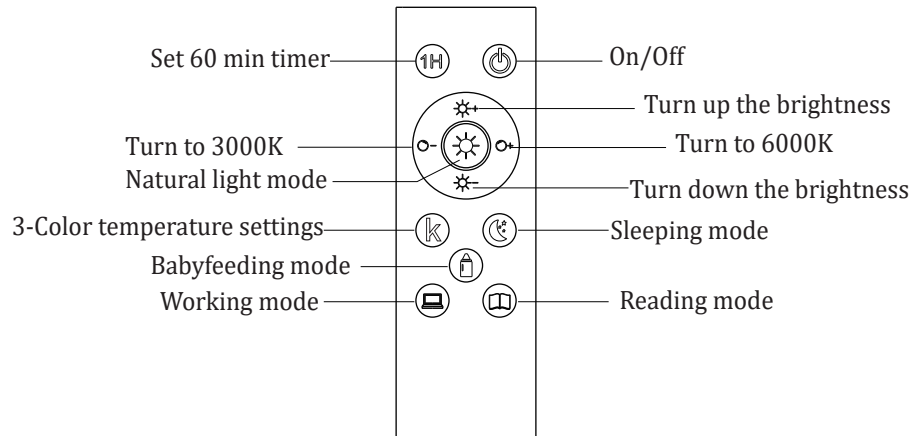
Installation complete, reverse cloth cover

STEP4 Install CC and bulb.

USING TIPS

Plug in the power first, then press the foot switch and use remote to turn on/off the lamp or adjust the lightness.

REMOTE CONTROL FUNCTION

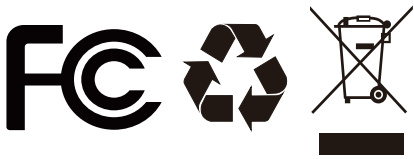


TROUBLE SHOOTING

1.If your lamp does not work, please make sure that plug is firmly in and 2 batteries were installed in the remote, then press the foot switch and on/off button of the remote to turn on.

2.If the remote can not control the bulb, please try to reconnect remote to the bulb as following step:

After the bulb turn on, long press the remote's on/off button within 3 seconds until the bulb flashes



This device complies with Part 15 of the FCC Rules. Operation is subject to the following two conditions: (1) this device may not cause harmful interference, and (2) this device must accept any interference received, including interference that may cause undesired operation.

USER GUIDE

