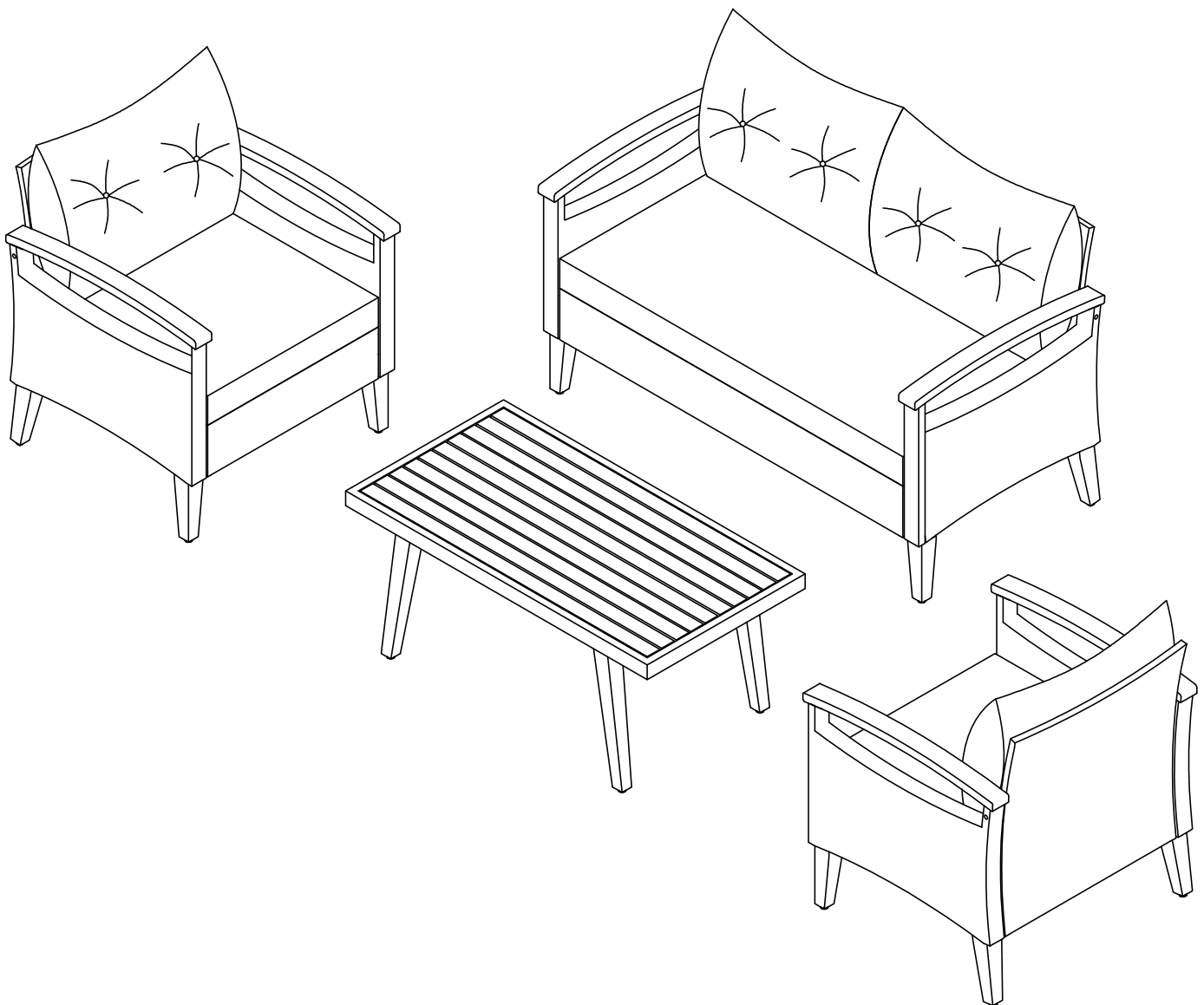


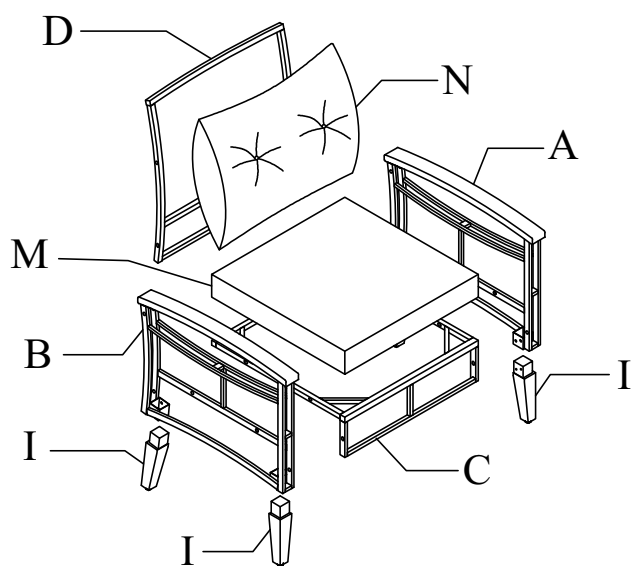
# ASSEMBLY INSTRUCTIONS

## **4-PIECE PATIO FURNITURE SETS**

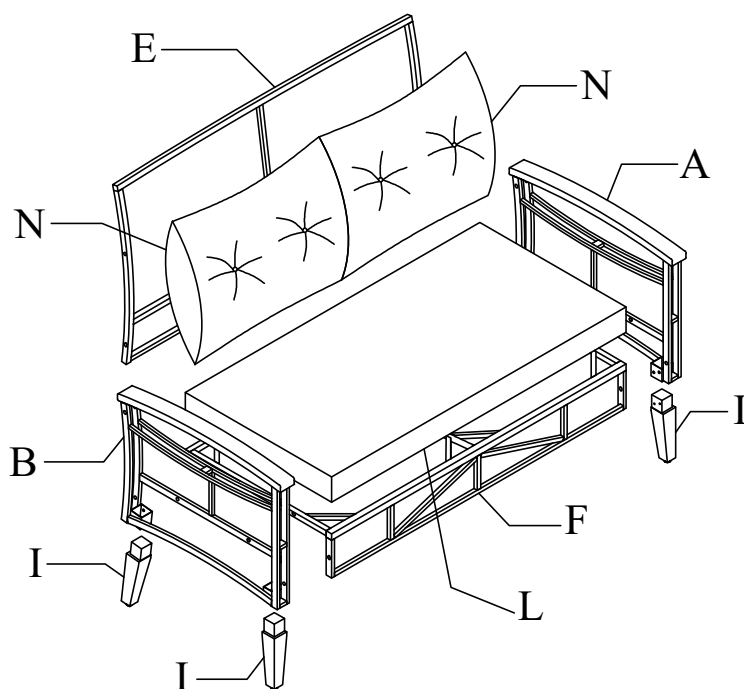


**NOTE: 50% TIGHTEN BEFORE FIXING ALL BOLTS**

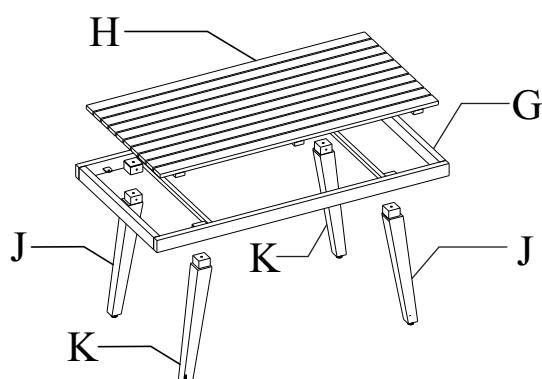
(2 x Single Chair)



(1 x Bench)



(1 x Table)

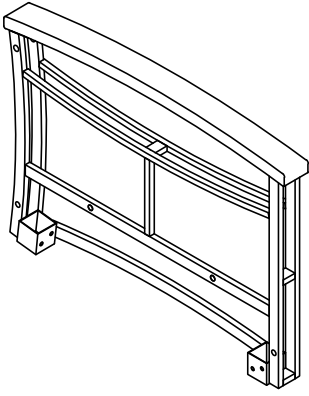


### Notice:

1. 50% Tighten before fixing all screws, Allen wrench is recommended instead of an electric drill.
2. Place the item on a flat ground to adjust and make sure it remains stable
3. Tighten up all screws with tools gradually.
4. If the screws are not aligned with holes during assembly, please loosen all the other screws to 50% and continue the assembly process.
5. If the item is not stable, please loosen all the screws, adjust it on a flat ground and tighten up all screws again.
6. Note : If one or some screws are fully tightened during assembly, chances are the others will not be aligned with holes. In addition, all the holes are designed to be relatively larger to provide more space for the adjustment of the screws.

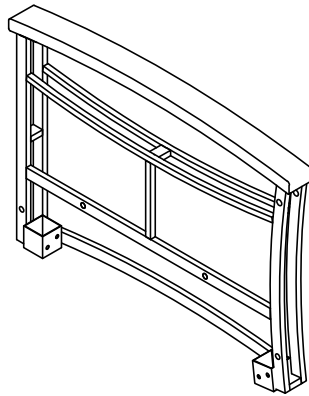
# Part List

A



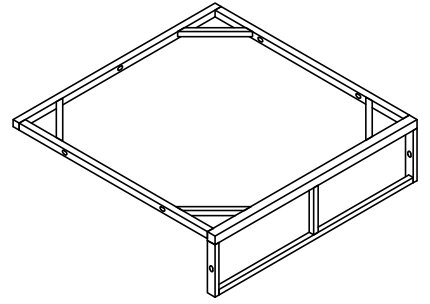
Right Frame (3 pcs)

B



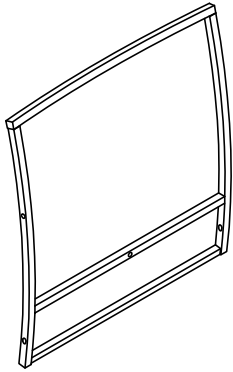
Left Frame (3 pcs)

C



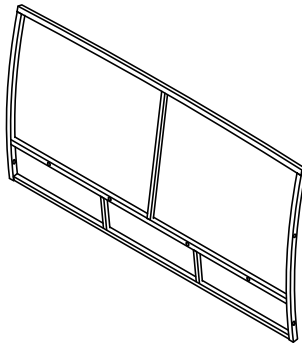
Seat frame (2 pcs)

D



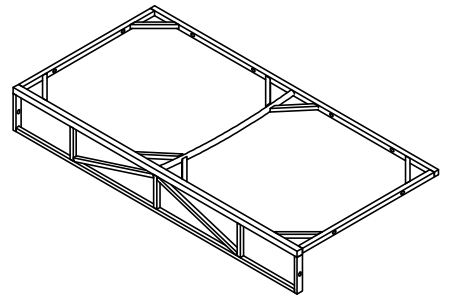
Back frame (2 pcs)

E



Bench back frame (1 pc)

F



Bench seat frame (1 pc)

G

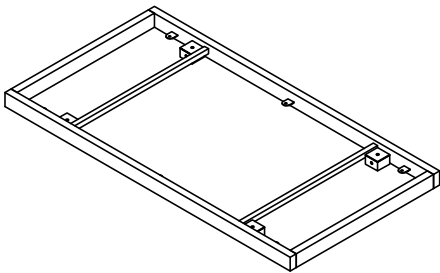


Table side frame (1 pc)

H

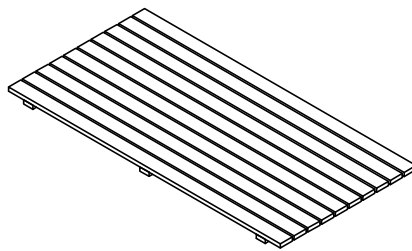


Table top wooden (1 pc)

I



Chair Leg (12 pcs)

J

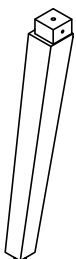


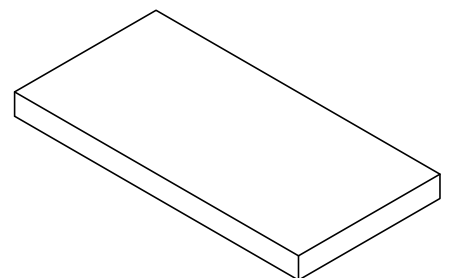
Table leg right (2 pcs)

K



Table leg left (2 pcs)

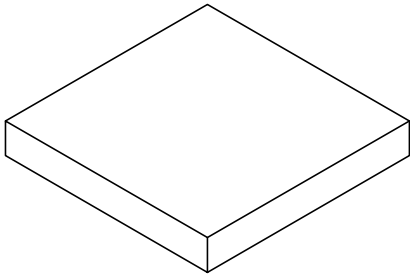
L



Bench cushion (1 pc)

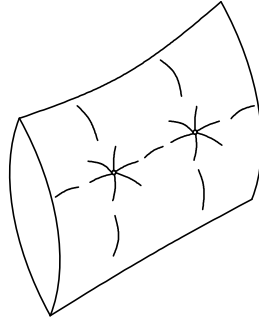
# Part List

M



Seat cushion (2 pcs)

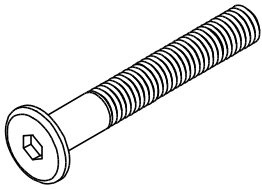
N



Back pillow (4 pcs)

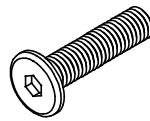
# Hardware List

1



Bolt M6 x 65 mm  
6 pcs + extra 1 pc

2



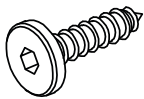
Bolt M6 x 35 mm  
34 pcs + extra 3 pcs

3



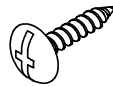
M6 x 1 mm Washers  
34 pcs + extra 3 pcs

4



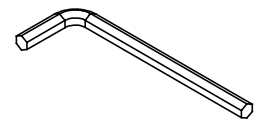
Screw M6 x 20  
24 pcs + extra 2 pcs

5



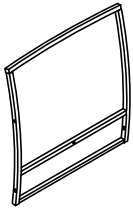
Screw M4 x 15  
10 pcs + extra 1 pc

6

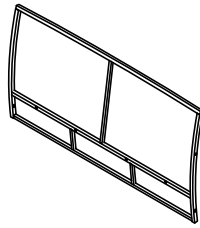


Allen key M4 (2 pcs)

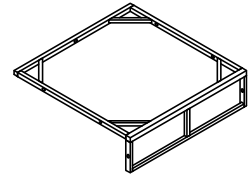
# CARTON CONTENT:



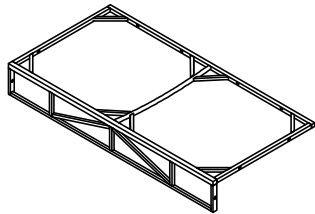
**D** x 2



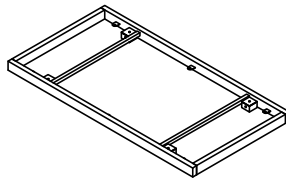
**E** x 1



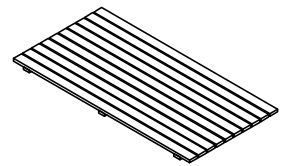
**C** x 2



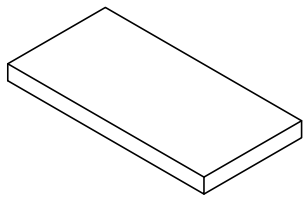
**F** x 1



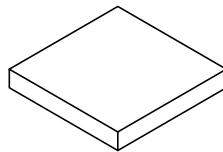
**G** x 1



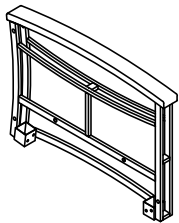
**H** x 1



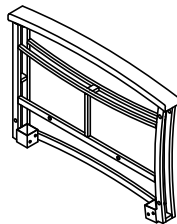
**L** x 1



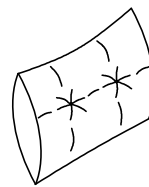
**M** x 2



**A** x 3



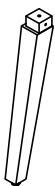
**B** x 3



**N** x 4



**I** x 12



**J** x 2

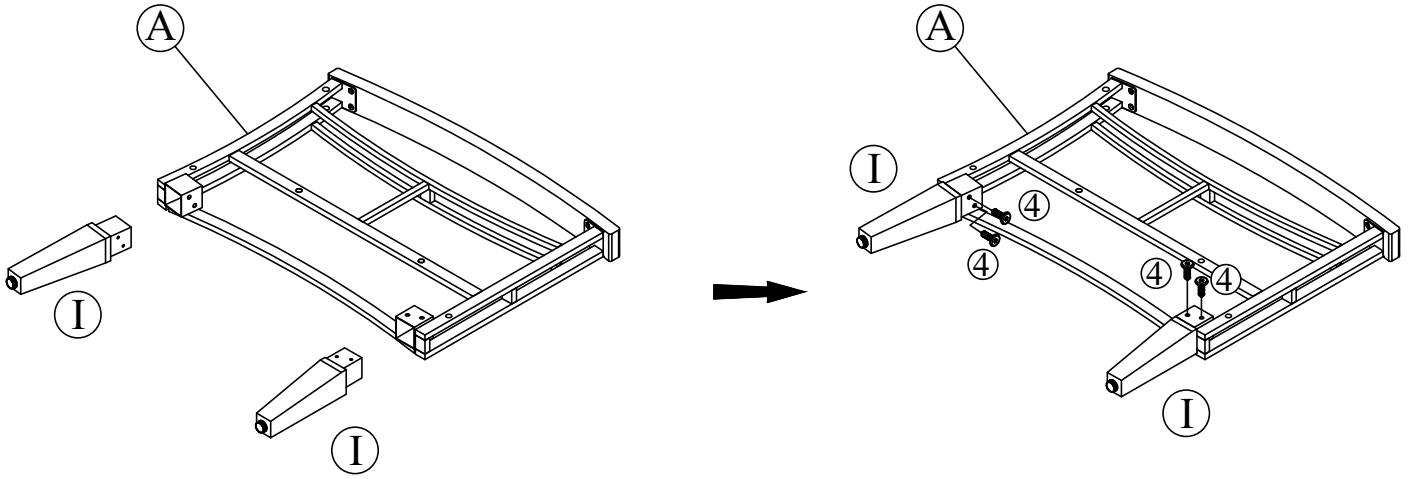


**K** x 2



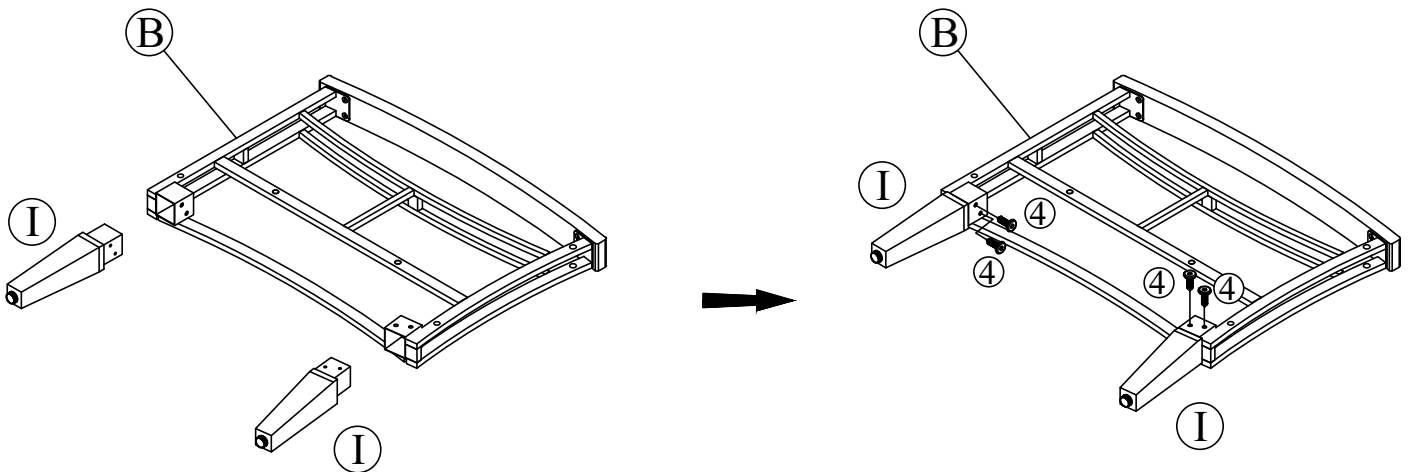
**HARDWARE**

**STEP 1** (2 x Chair assembly)  
Connect Right frame (A) & Chair Leg (I) with Screw (4)



④\*4   A\*1   I\*2

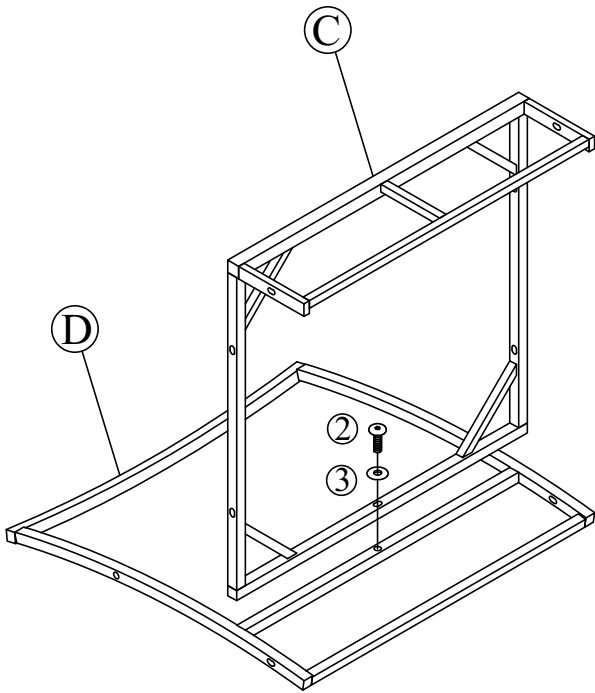
**STEP 2**  
Connect Left frame (B) & Chair Leg (I) with Screw (4)



④\*4   B\*1   I\*2

### STEP 3

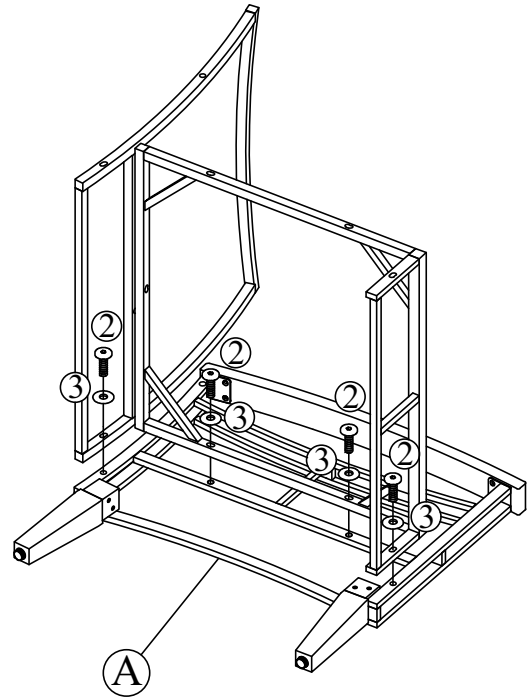
Connect Back frame (D) & Seat frame (C) with Bolt (2) & Washer (3)



②\*1 ③\*1 C\*1 D\*1

### STEP 4

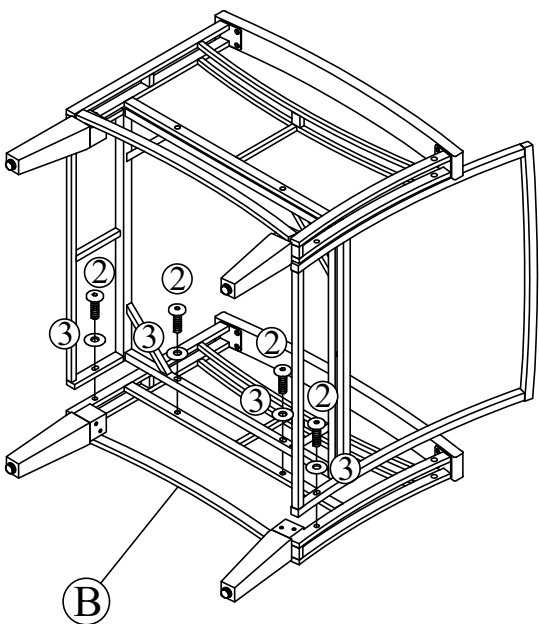
Connect part from Step 3 & part from Step 1 with Bolt (2) & Washer (3)



②\*4 ③\*4 A\*1

### STEP 5

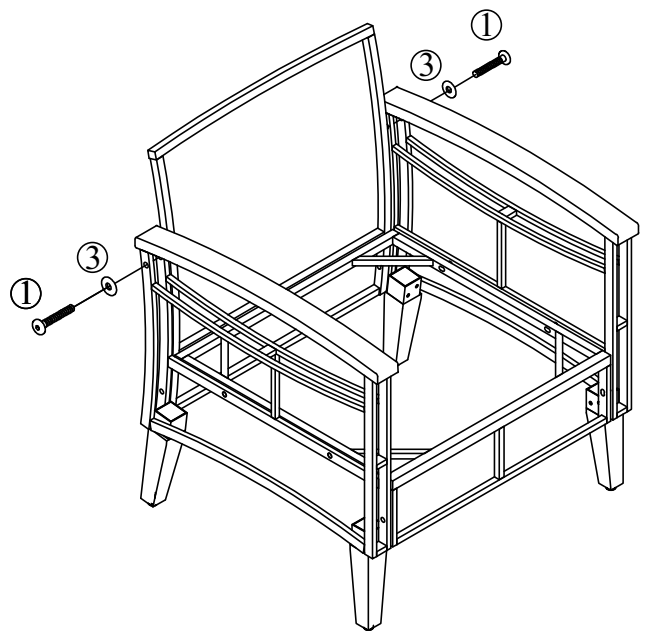
Connect part from Step 4 & part from Step 2 with Bolt (2) & Washer (3)



②\*4 ③\*4 B\*1

### STEP 6

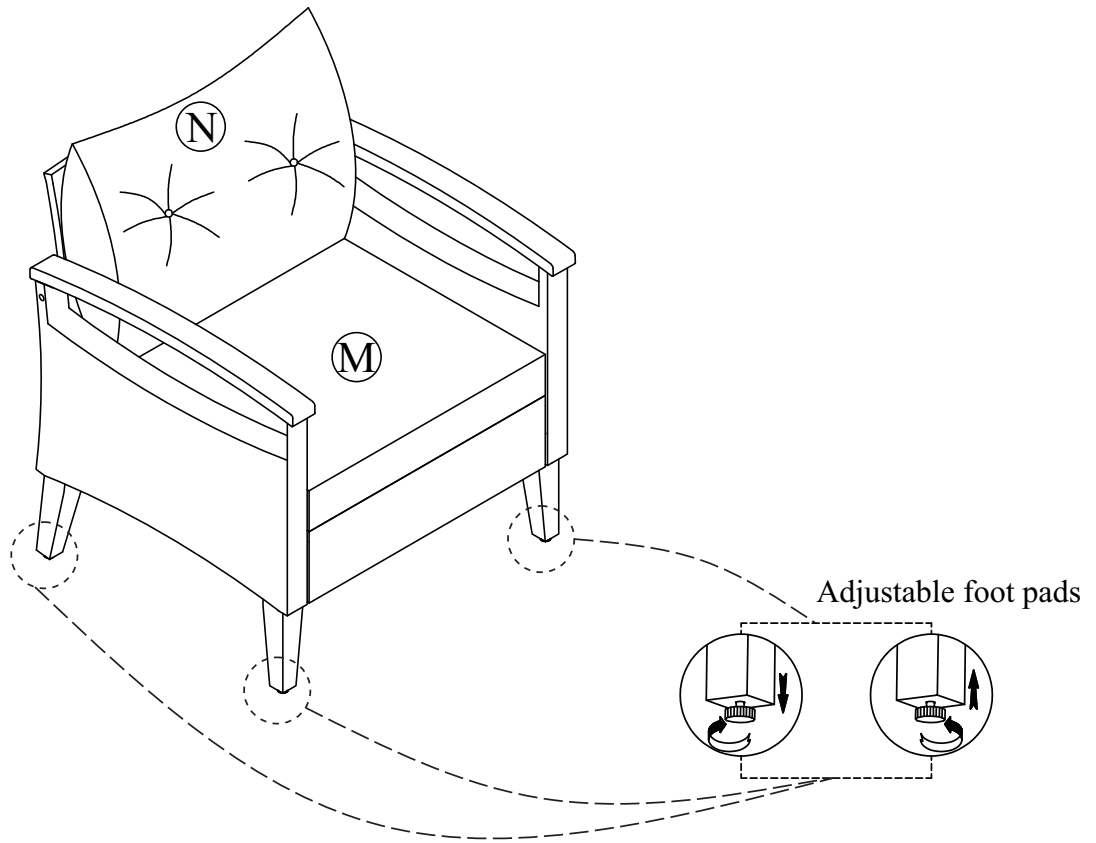
Connect part from Step 3 & part from Step 1, Step 2 with Bolt (1) & Washer (3)



①\*2 ③\*2

## STEP 7

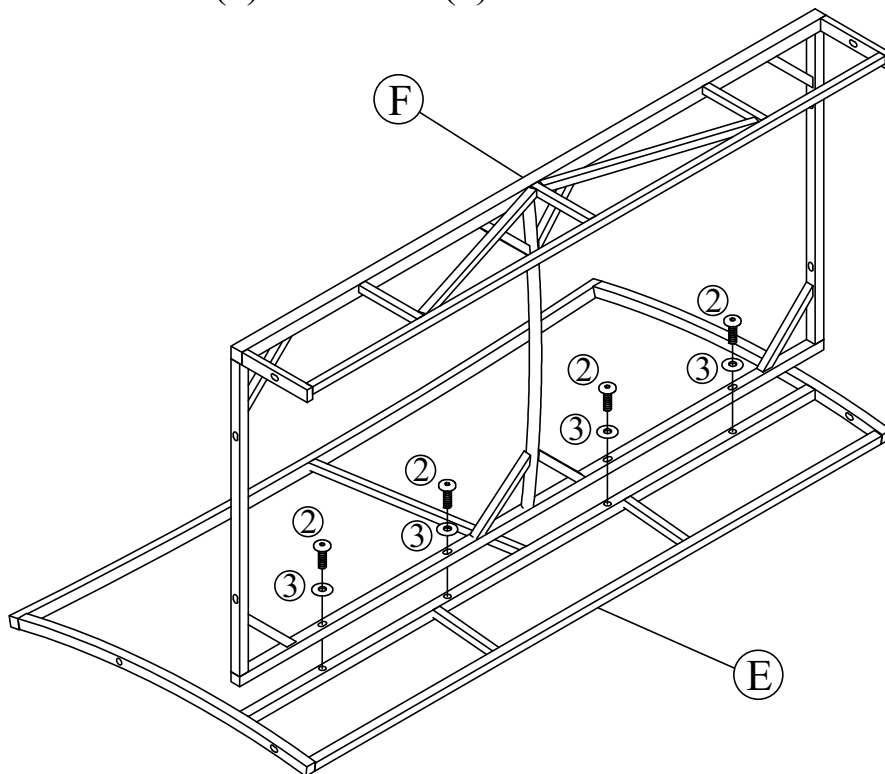
Put on Seat cushion (M) & Back pillow (N)  
to complete Single chair



M\*1 N\*1

## STEP 8 (1 x Bench assembly)

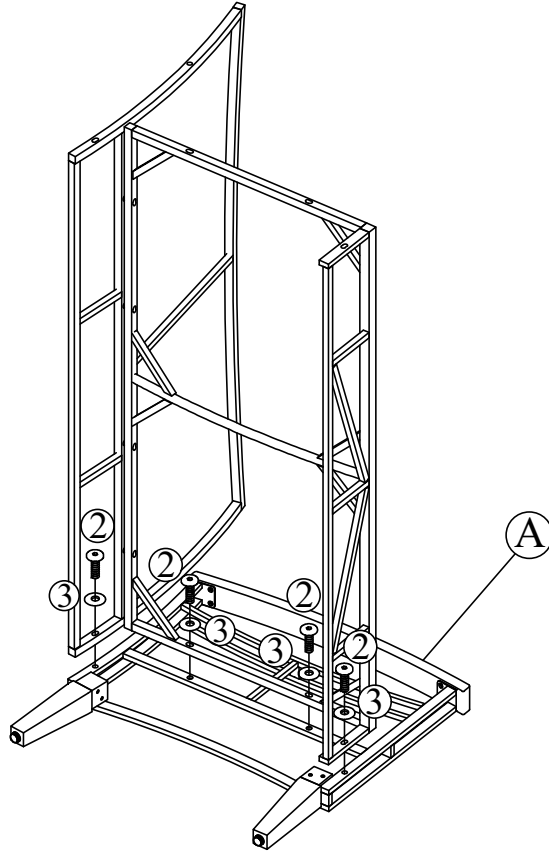
Connect Bench back frame (E) & Bench seat frame (F)  
with Bolt (2) & Washer (3)



②\*4 ③\*4 E\*1 F\*1

## STEP 9

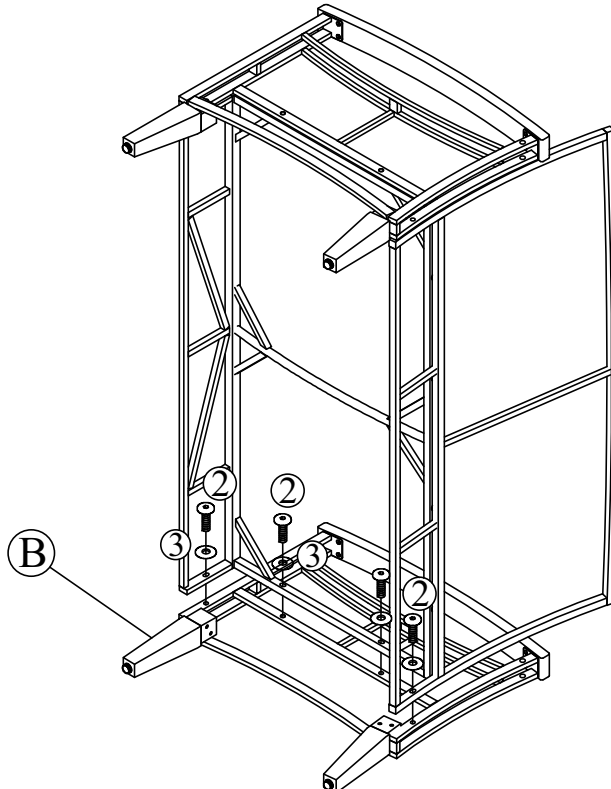
Connect part from Step 8 & part from Step 1  
with Bolt (2) & Washer (3)



②\*4 ③\*4 A\*1

## STEP 10

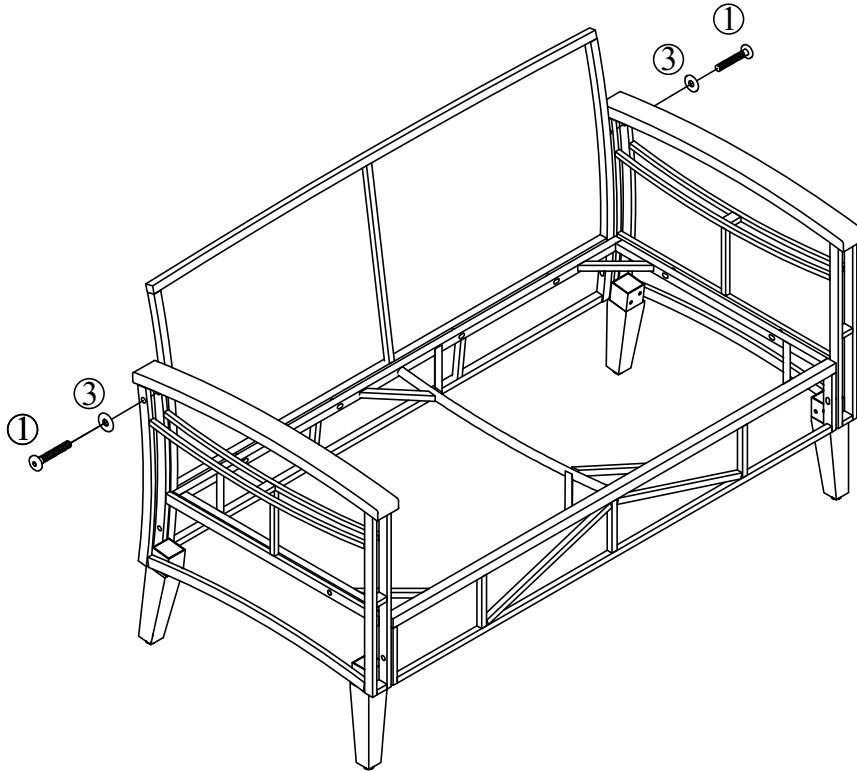
Connect part from Step 9 & part from Step 2  
with Bolt (2) & Washer (3)



②\*4 ③\*4 B\*1

## STEP 11

Connect part from Step 8 & part from Step 1, Step 2  
with Bolt (1) & Washer (3)

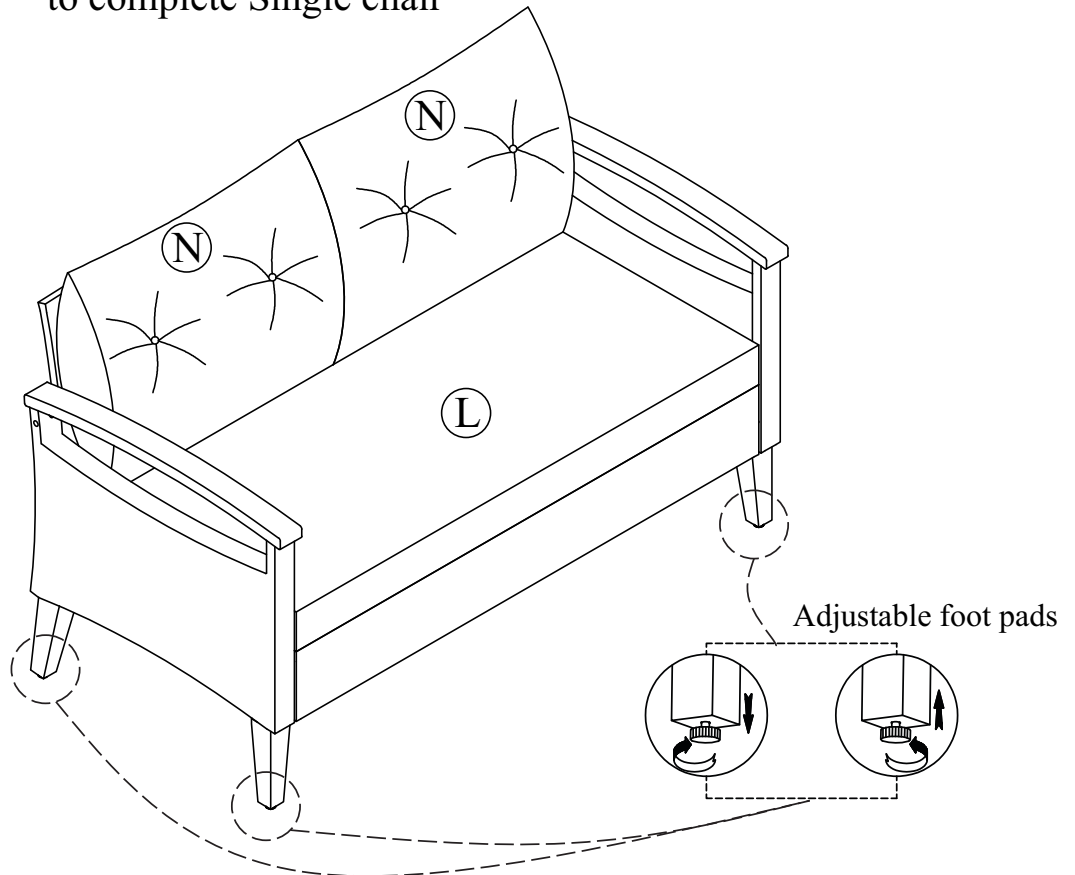


①\*2

③\*2

## STEP 12

Put on Bench cushion (L) & Back pillow (N)  
to complete Single chair

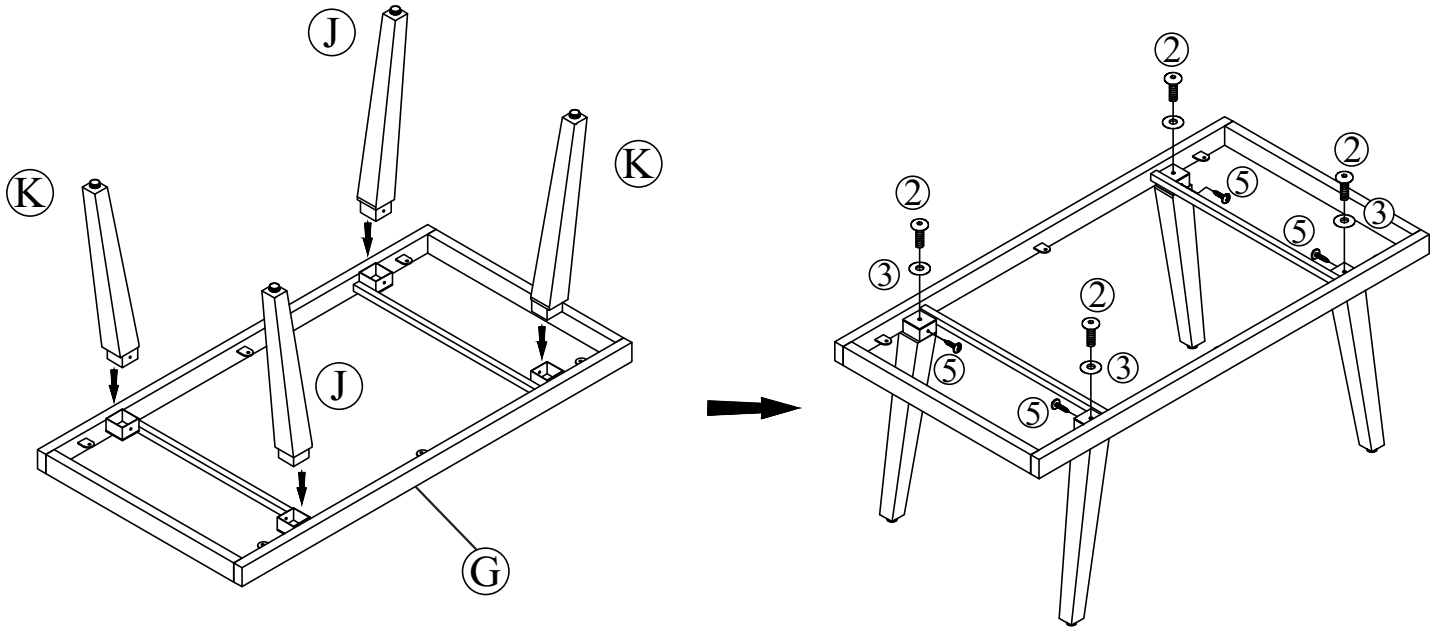


N\*2

L\*1

### STEP 13 (1 x Table assembly)

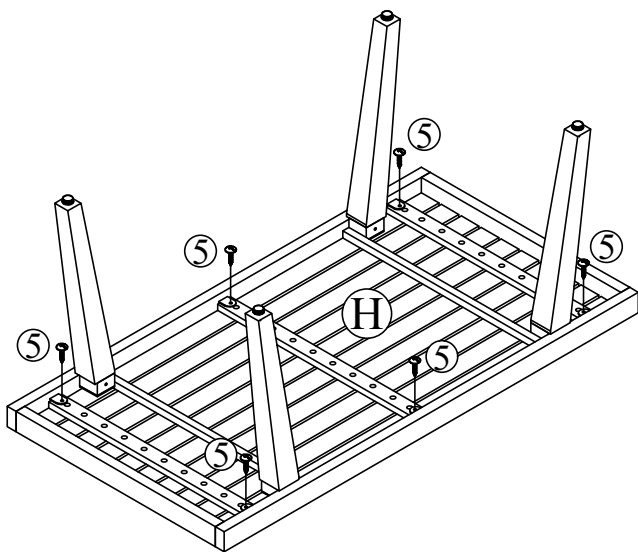
Connect Table side frame (G) & Table leg right (J), Table leg left (K) with Bolt (2) & Washer (3), Screw (5)



②\*4 ③\*4 ⑤\*4 J\*2 K\*2 G\*1

### STEP 14

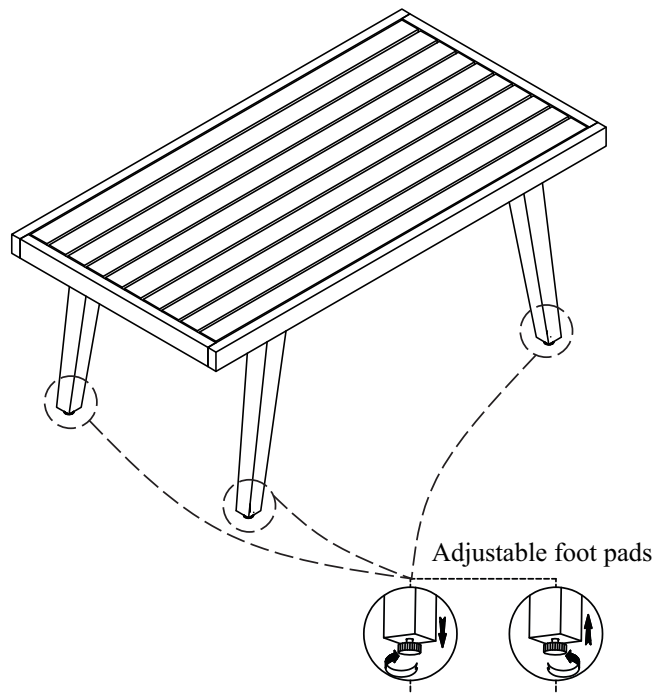
Connect part from Step 13 & Table top wooden (H) with Screw (5)

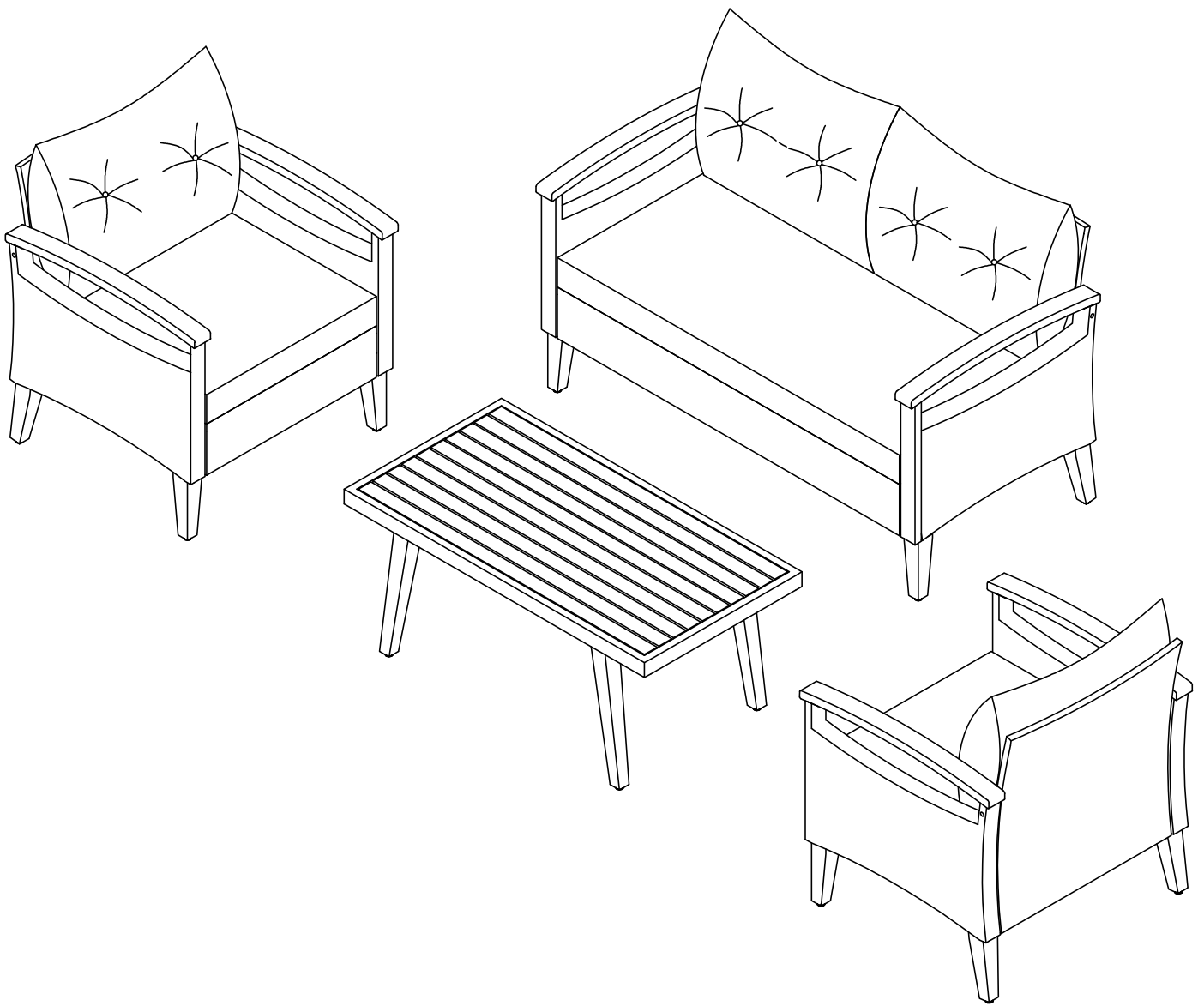


⑤\*4 B\*1

### STEP 15

Table assembly have completed





FINISH