

OUTDOOR 5'x3' STORAGE SHED

IF YOU PURCHASED THE OUTDOOR STORAGE SHED ONLINE

AND HAVE ANY QUESTIONS OR CONCERNS

CONTACT US VIA EMAIL:

YARDSIGHTFURNITURE@OUTLOOK.COM

Warnings and Cautions

Thank you for choosing our outdoor storage shed. Please read and understand this entire manual before attempting to assemble or install the product.

The shed is intended for storage purposes only. It is not designed for habitation.

GENERAL BEST PRACTICES FOR ASSEMBLY

1. Please check with your local governing authority/local municipal codes regarding installation and permitting of such structures before assembly.
2. The assembled outdoor storage shed should be located at least 6 feet from any obstruction such as fence, garage, house, overhanging branches, laundry lines or electrical wires.
3. It is strongly recommended to secure the shed to an immovable object or anchor to the ground by drilling holes in the shed floor (at the pre-marked locations) and inserting proper screws into the ground (screws are not included).
4. Familiarize yourself with the product and check all parts against the packing list. If any parts are missing or damaged, do not install. Contact us immediately.
5. Always wear work gloves, safety goggles and long sleeves when assembling or performing any maintenance on your shed.
6. Save all packing materials until assembly is complete to avoid accidentally discarding smaller parts or hardware.
7. Require two or more people to assemble and install safely and correctly.

WARNINGS



To reduce the risk of serious injury, read the following safety instructions thoroughly before assembling and using the outdoor storage shed.

8. The product is required to be installed on a level solid surface and is not intended for unsecured use. The outdoor storage shed is to be anchored to the surface with appropriate bolts or anchors. Do not assemble the shed on soil, earth, or bare ground.
9. Keep children and pets away from the working area during assembly and adjustments.
10. Please ensure that there is no snow or leaves on the roof. A large amount of snow on the roof can damage the cabin and make it unsafe. This product has passed the level 8 (46 miles per hour) of the wind resistance, and the roof load test with a capacity of 800 pounds.
11. On snowy days, it is necessary to regularly clear the accumulated snow. You can use plastic rakes to remove the excessive snow and ice blocks on the roof. Take corresponding safety precautions to prevent the fallen snow from causing damage.
12. Do not leave children unattended around or inside outdoor storage sheds.
13. The weight of the items hung on the hooks inside the roof should not exceed 30 pounds.
14. Avoid using a lawnmower or mechanical scythe near the shed.
15. Wash the shed with a garden hose or a mild detergent solution. Do not use a metal brush or abrasive cleaners, including degreasers and oil- or acetone-based cleaning materials, as these may stain or damage the shed.
16. Do not store hot items, such as recently used grills and blowtorches, and volatile chemicals in the shed.

17. Wind direction is an important factor to consider when determining the location of the shed. Reduce exposure to the wind, in general, and of the door side in particular. Keep doors closed and locked when the shed is not in use to prevent wind damage.

18. Do not stand on the roof.

WARRANTY

WHAT IS COVERED?

The limited warranty is extended to the original purchaser and applies to material and manufacturer's defect provided the item is maintained with care and used only for personal residential purposes.

Warranty: 6 months

Lost Accessories or Parts Policy:

Lost accessories or parts costs will be incurred after 90 days of the date of purchase.

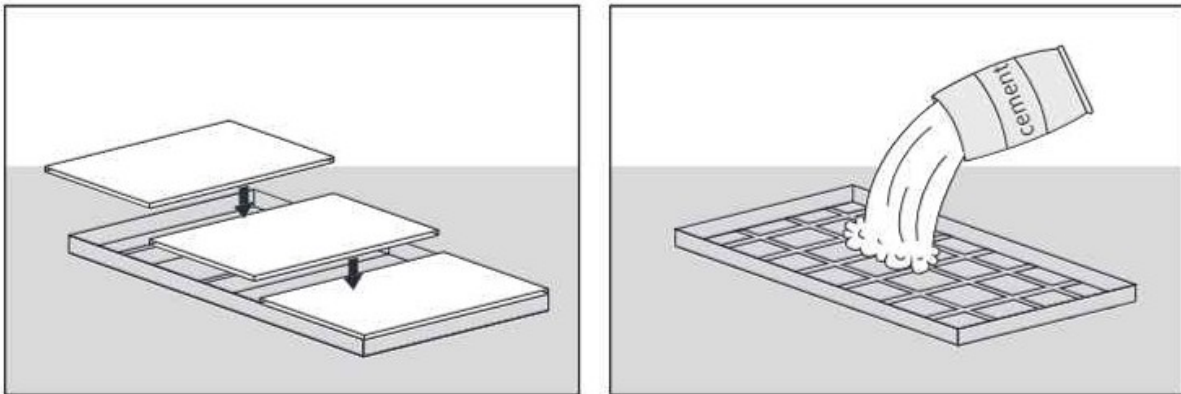
TIP: Our products have been designed for safety and quality. Any modifications made to the original product could damage the structural integrity of the product leading to failure and possible injury. We can not assume any responsibility for modified products. Furthermore modifications void any and all warranties.

Site preparation

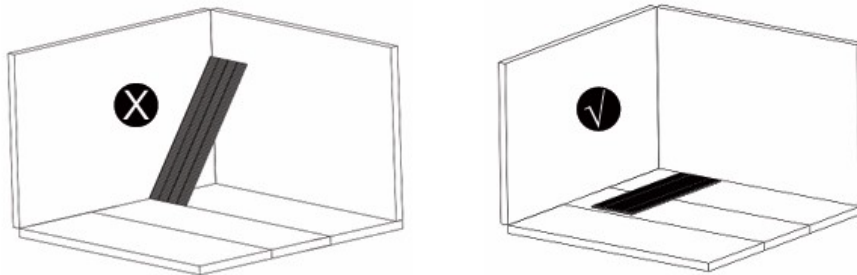
1. Leveling the ground.



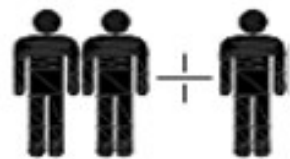
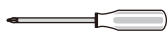
2. Recommendation: Construct a wooden or concrete base as a foundation.

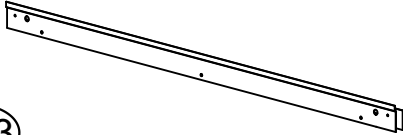


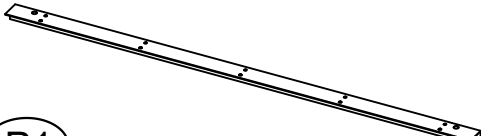
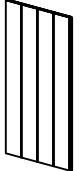

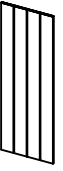













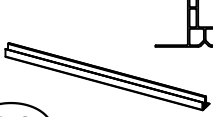








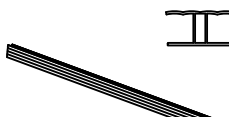

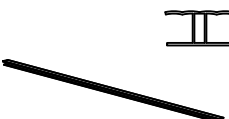



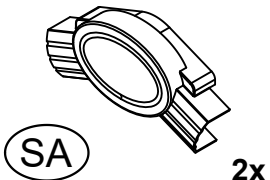
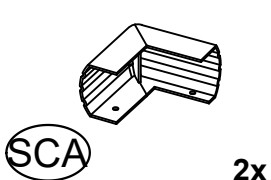
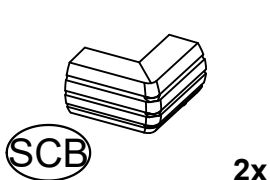
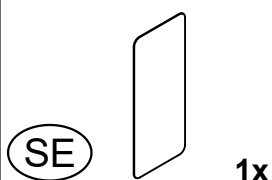
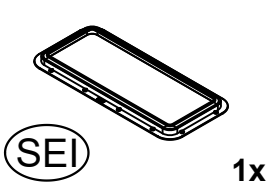
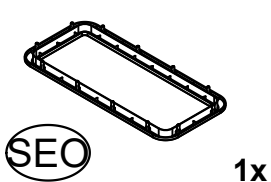
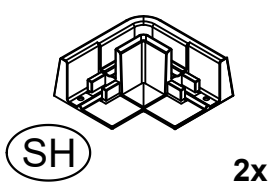
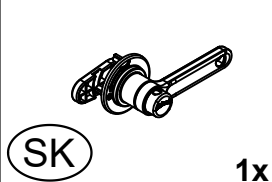
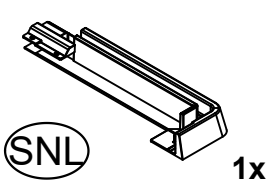
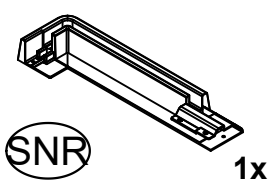
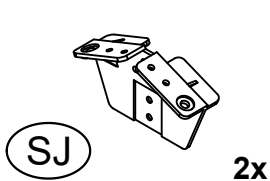
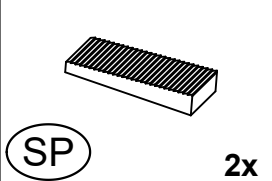
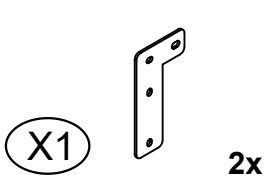
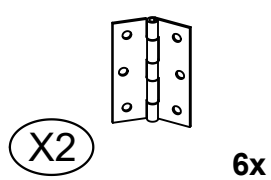
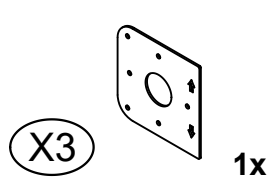
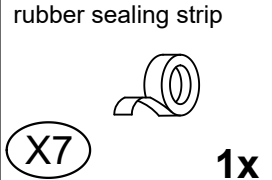
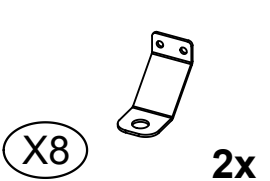
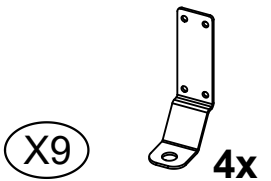
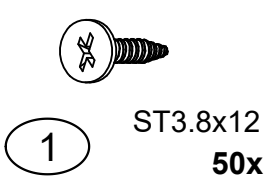
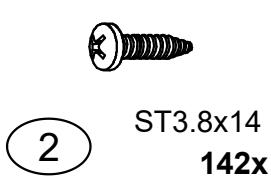
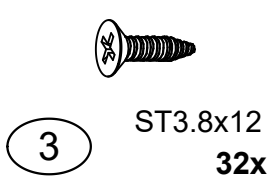
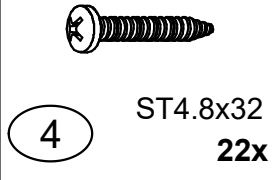
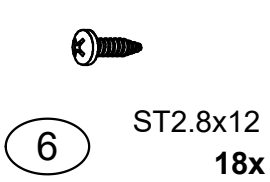
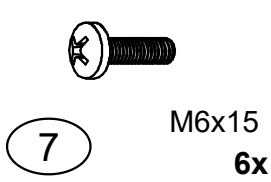
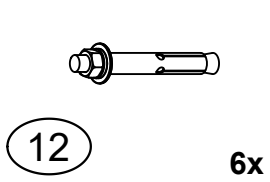
3. Parts are placed after unpacking.



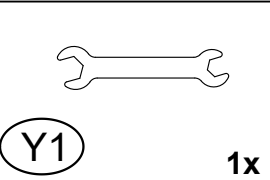
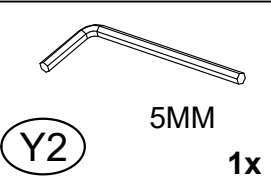
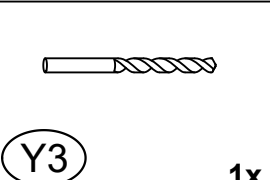
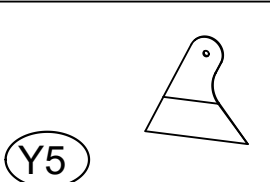
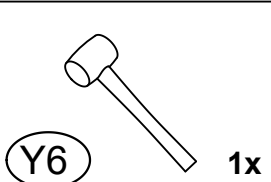
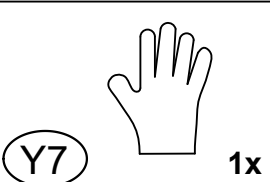
Tools Needed (Not Included)



 (DT3) 1x	 (DR) 1x		
 (DL) 1x	 (P1) 2x		
1447x603  (A7) 1x	1447x263  (A8A) 1x	1850x617  (B2) 1x	1850x282  (B12) 1x
1775x306  (B13A) 1x	1775x306  (B13B) 1x	1865x604  (B4L) 1x	1865x604  (B4R) 1x
1865x574  (B15L) 1x	1865x574  (B15R) 1x	 (B11) 2x	1825x272  (B16L) 1x
1825x620  (B5R) 1x	755x345  (C7) 2x	755x617  (C8) 2x	
 (D5) 1x	 (D6) 2x	 (E3) 1x	 (F6) 1x
 (F7) 2x	 (F8R) 1x	 (F8L) 1x	 (H4) 2x
 (J3) 4x	 (K3) 4x	 (N3) 1x	 (N4) 1x
 (N5) 2x	 (Q5) 1x		


 SA 2x	 SCA 2x	 SCB 2x	 SE 1x
 SEI 1x	 SEO 1x	 SH 2x	 SK 1x
 SNL 1x	 SNR 1x	 SJ 2x	 SP 2x
 X1 2x	 X2 6x	 X3 1x	rubber sealing strip  X7 1x
 X8 2x	 X9 4x		
 1 ST3.8x12 50x	 2 ST3.8x14 142x	 3 ST3.8x12 32x	 4 ST4.8x32 22x
 6 ST2.8x12 18x	 7 M6x15 6x	 12 6x	

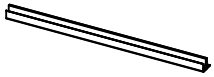
TOOL:


 Y1 1x	 Y2 5MM 1x	 Y3 1x	
 Y5	 Y6 1x	 Y7 1x	

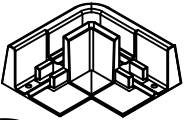
NOTE: The plastic pieces are guide pieces to assist in inserting wall panels.

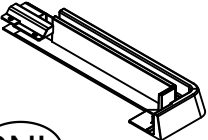
<1>

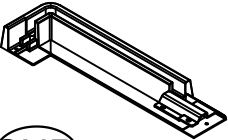
- 


(D5) 1x
- 

(D6) 2x
- 

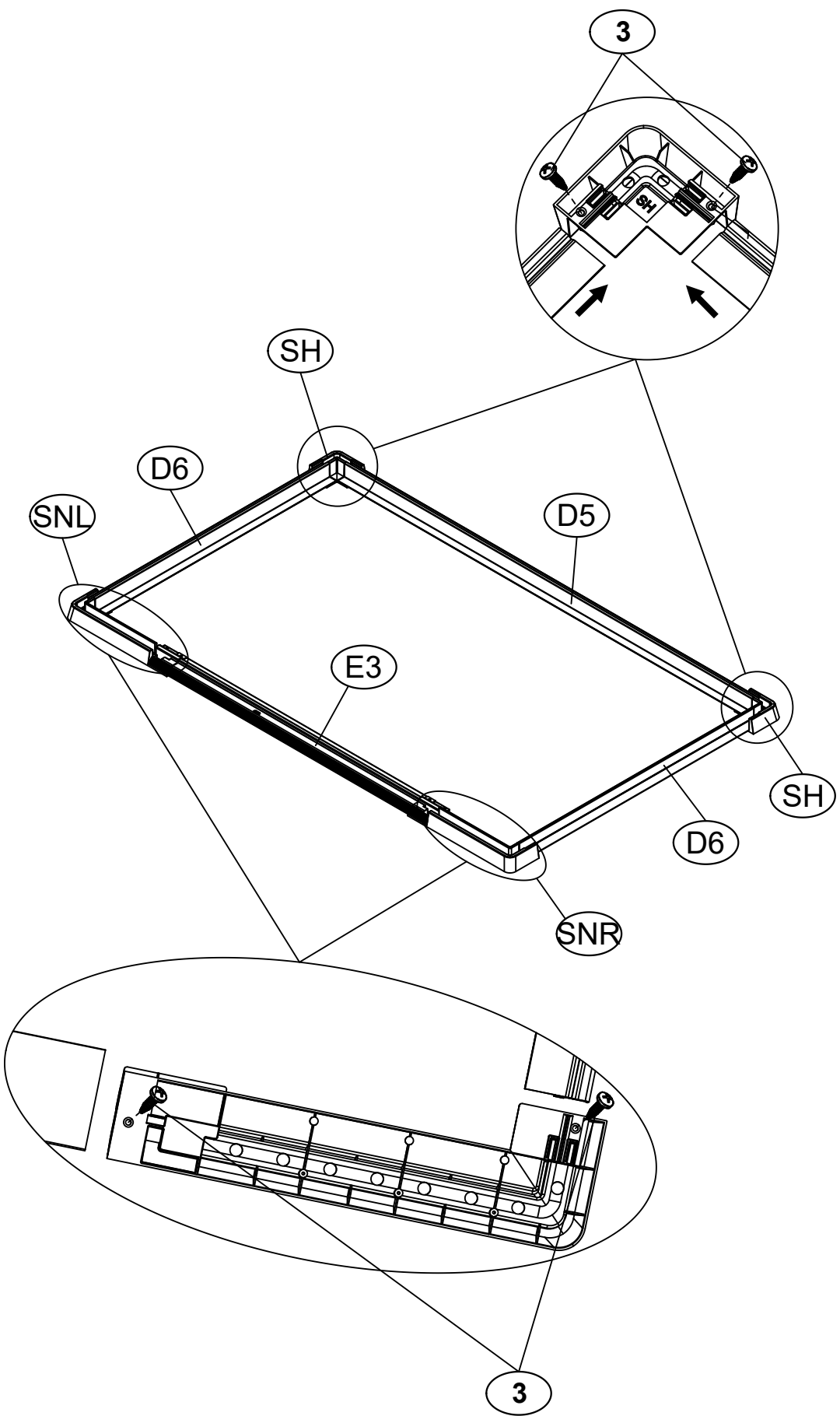
(E3) 1x
- 

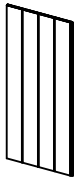


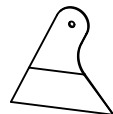
(SH) 2x
- 

(SNL) 1x
- 

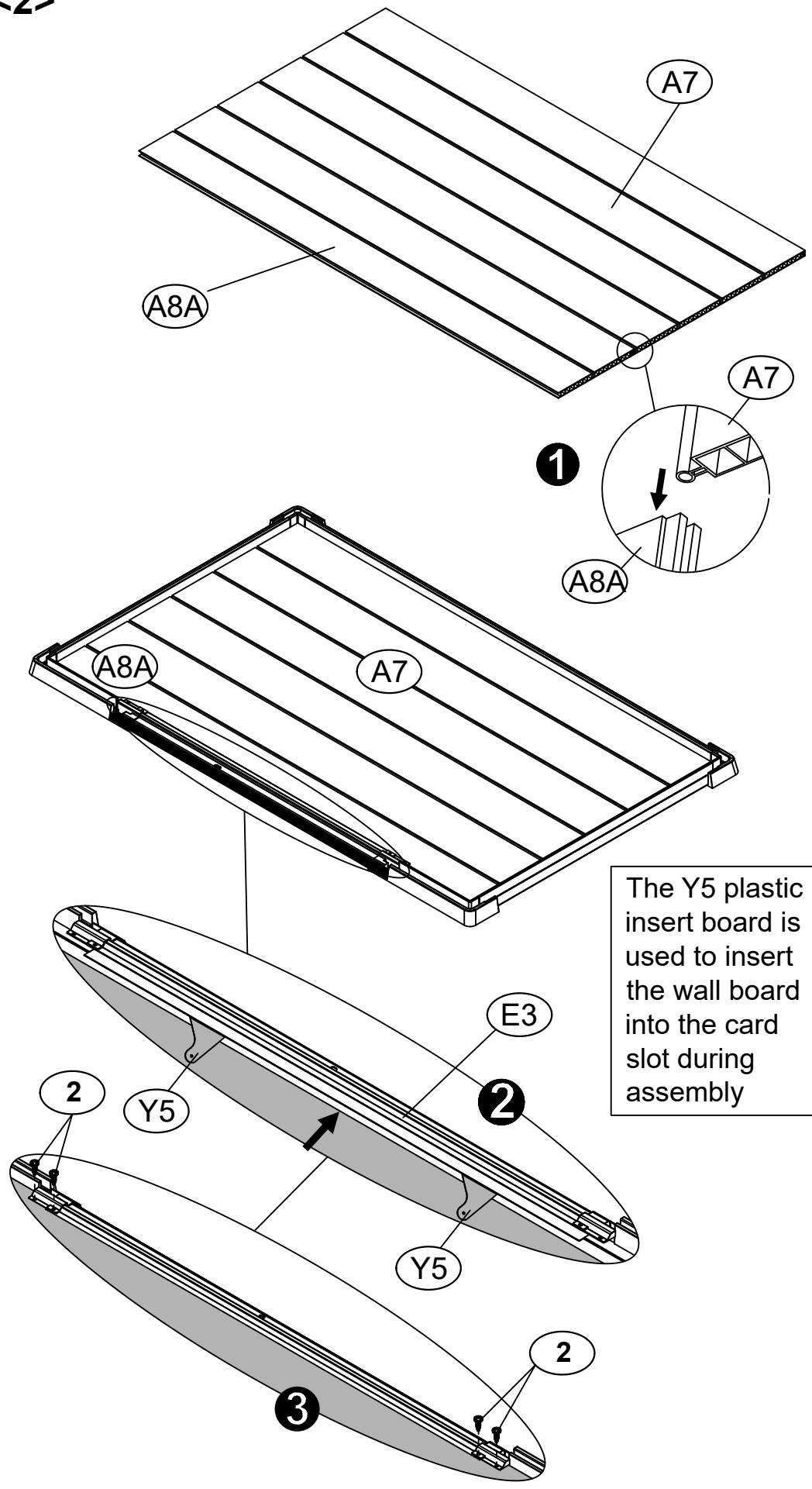
(SNR) 1x
- 

ST3.8x12
(3) 8x



-  **A7** 1x
-  **A8A** 1x
-  **2** **4x**
ST3.8x14
-  **Y5** 2x

<2>



The Y5 plastic insert board is used to insert the wall board into the card slot during assembly

<3>



F6 1x



F7 2x



F8R 1x

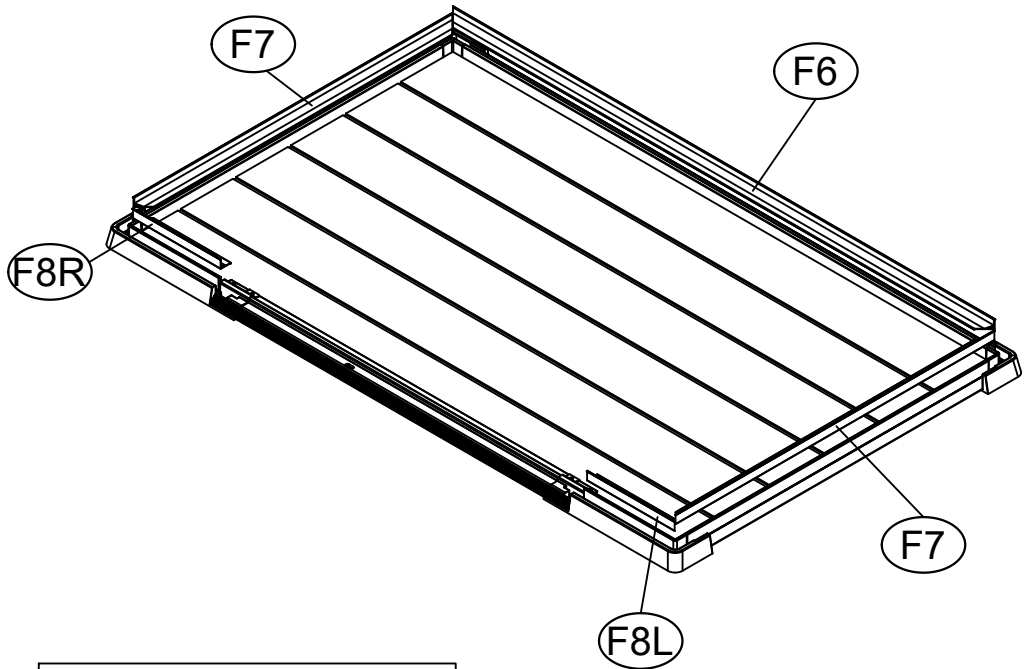


F8L 1x

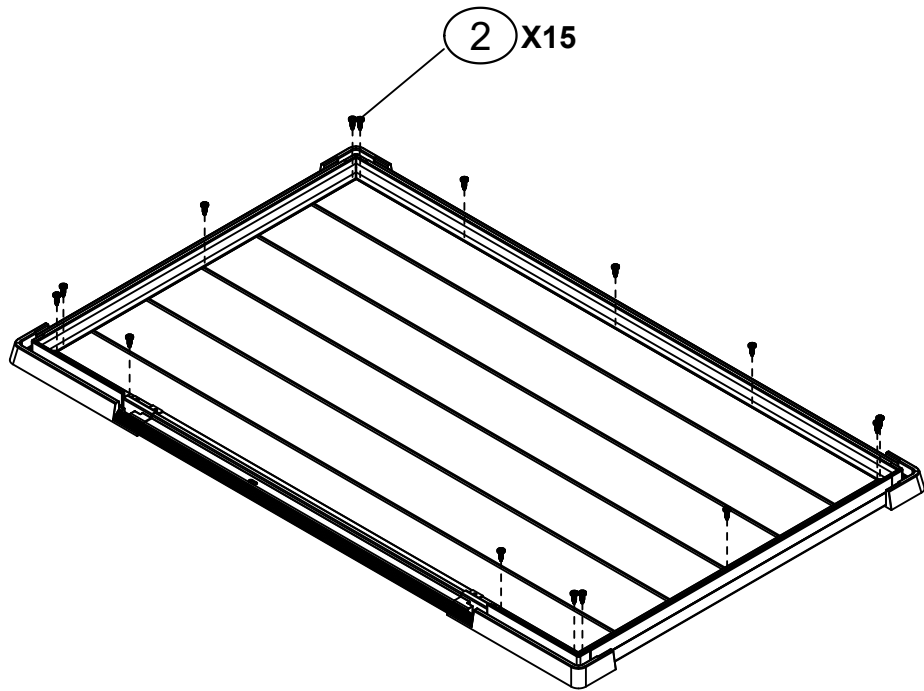


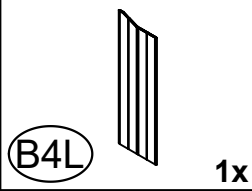
ST3.8x14

2 15x

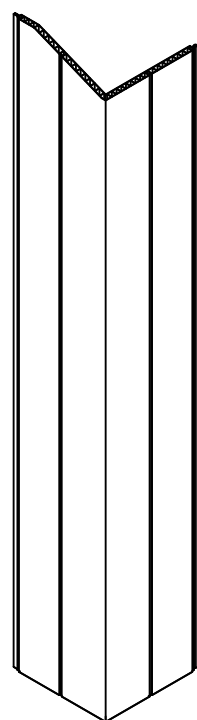
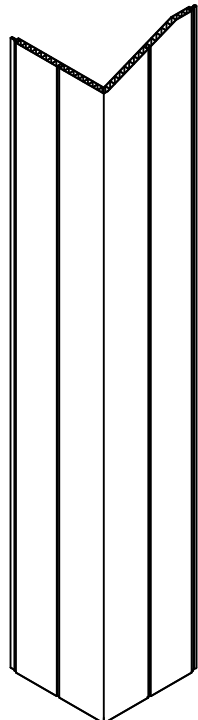
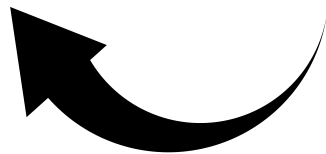
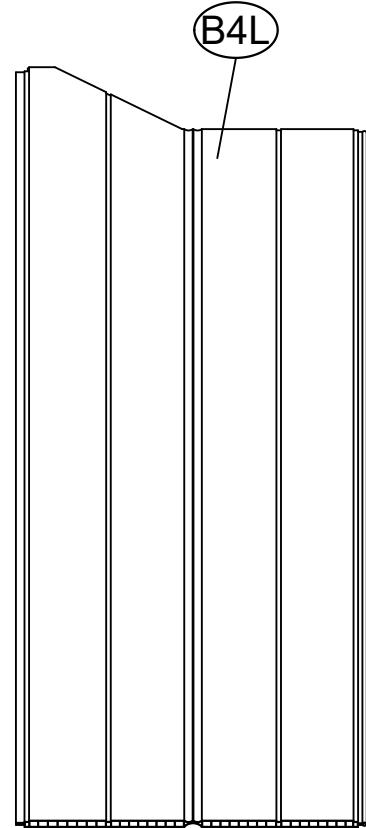
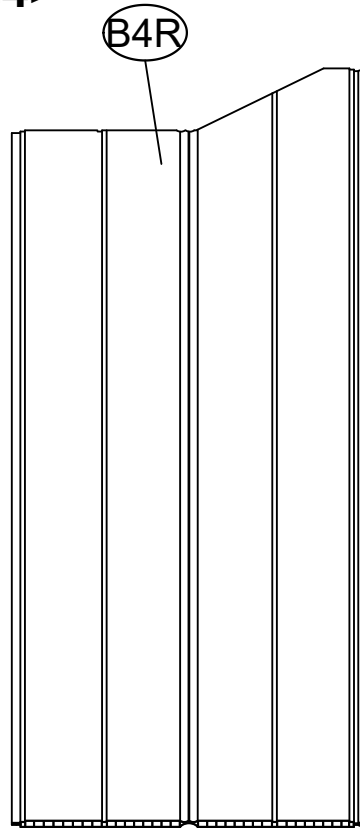


It is advised to fix the floor with self-tapping screws as the figure shown.

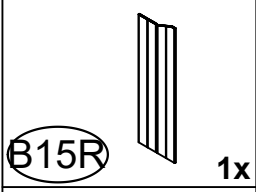
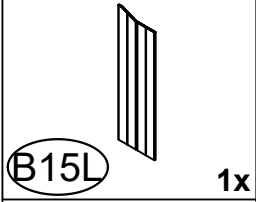




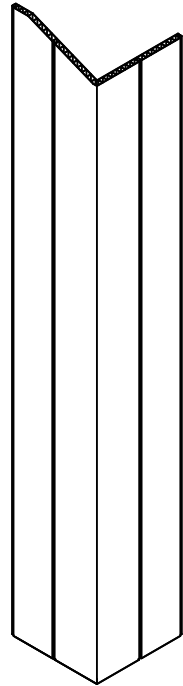
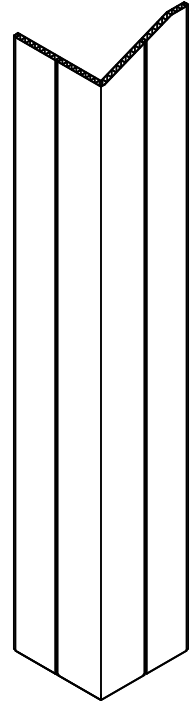
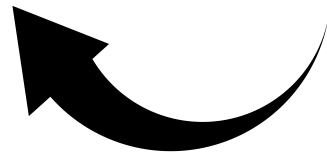
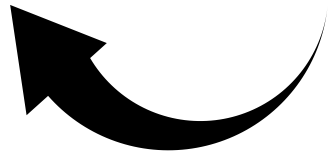
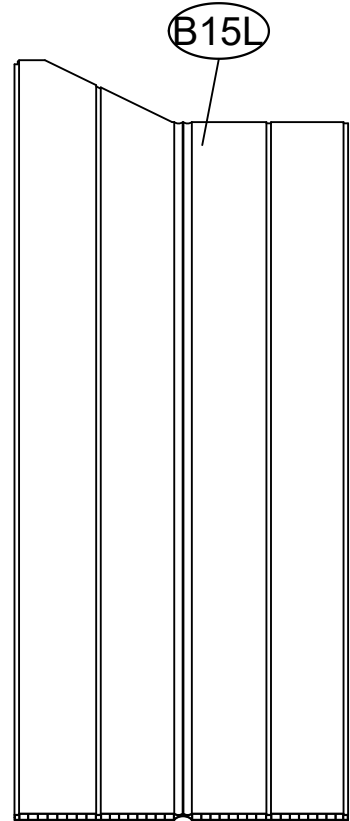
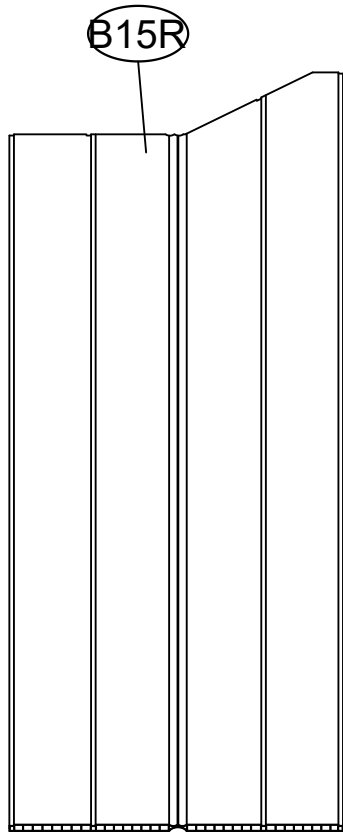
<4>



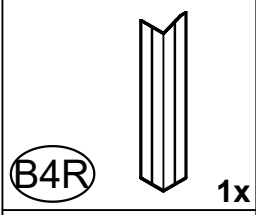
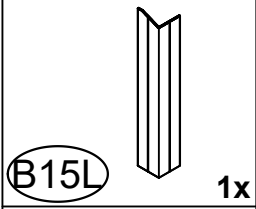
NOTE: Bend inward, the smooth surface is on the inside. Please use the plastic guide pieces to help insert the wall panels to the bottom



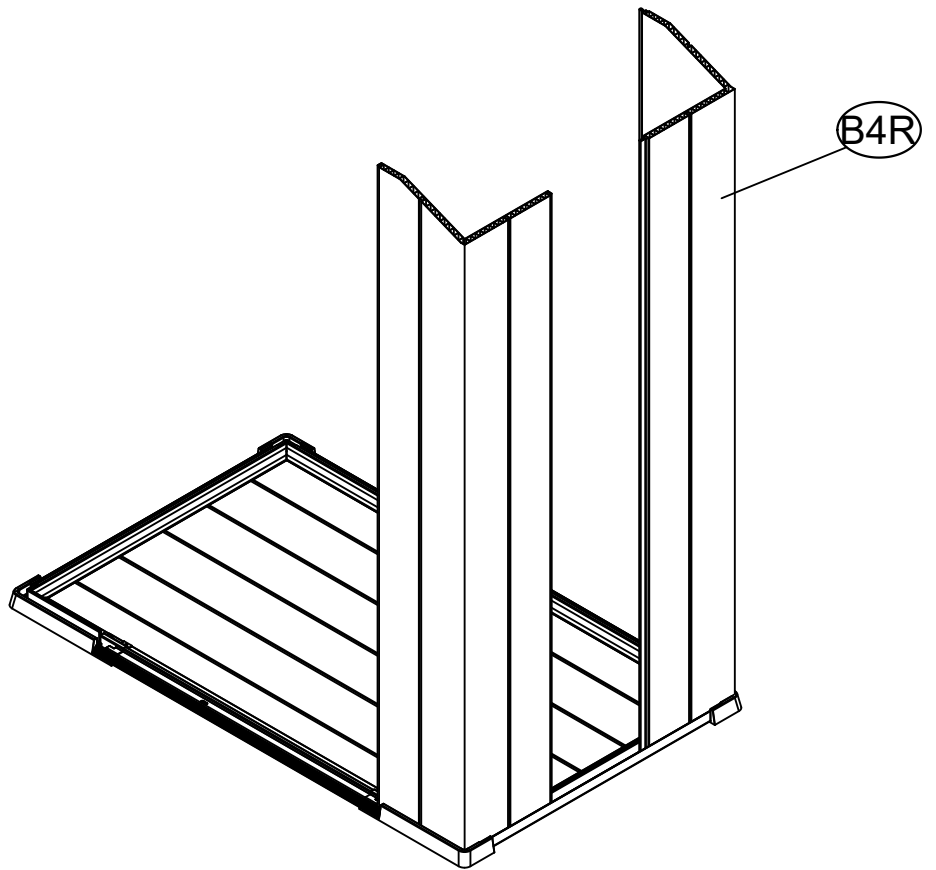
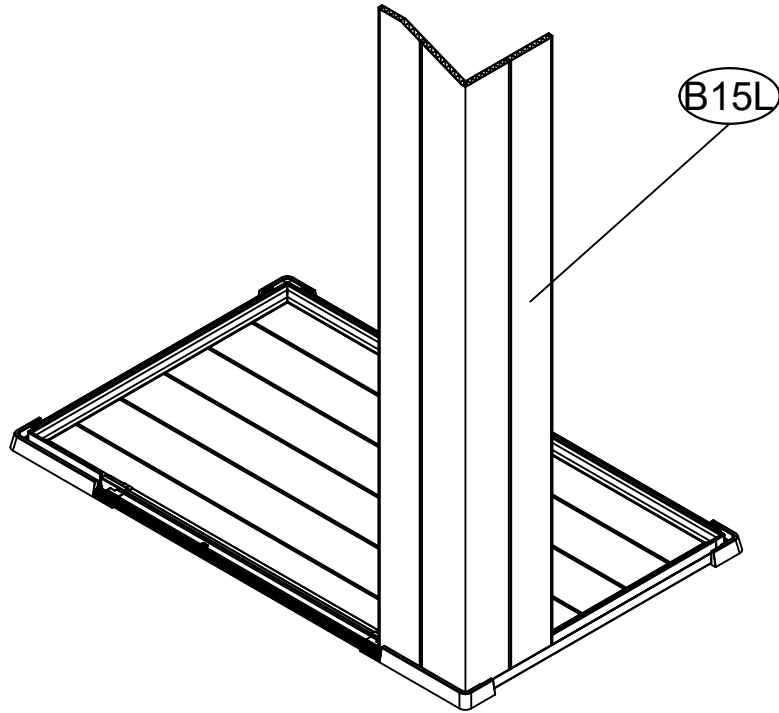
<5>

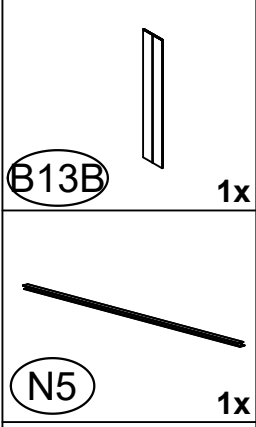


NOTE: Bend inward, the smooth surface is on the inside. Please use the plastic guide pieces to help insert the wall panels to the bottom

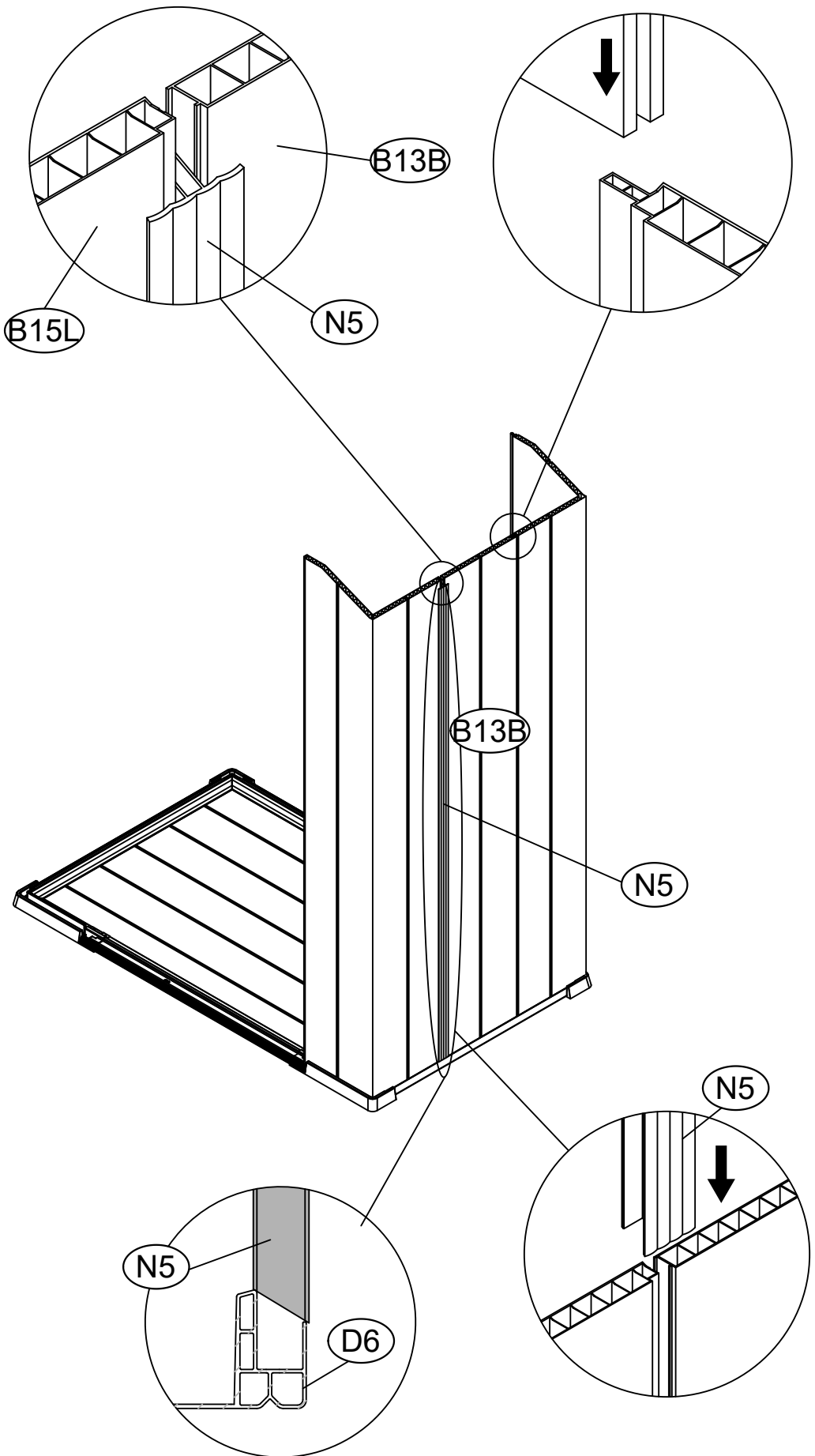


<6>



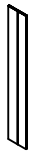


<7>



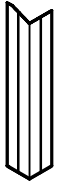
<7>

(B12)

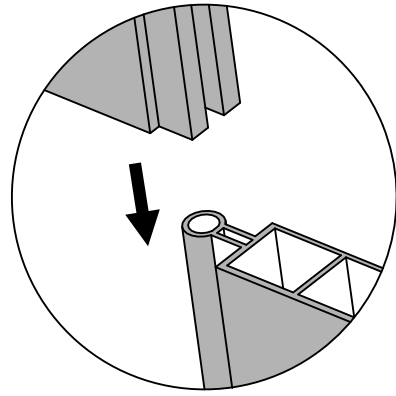


1x

(B4L)

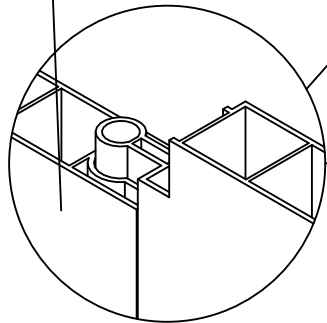


1x

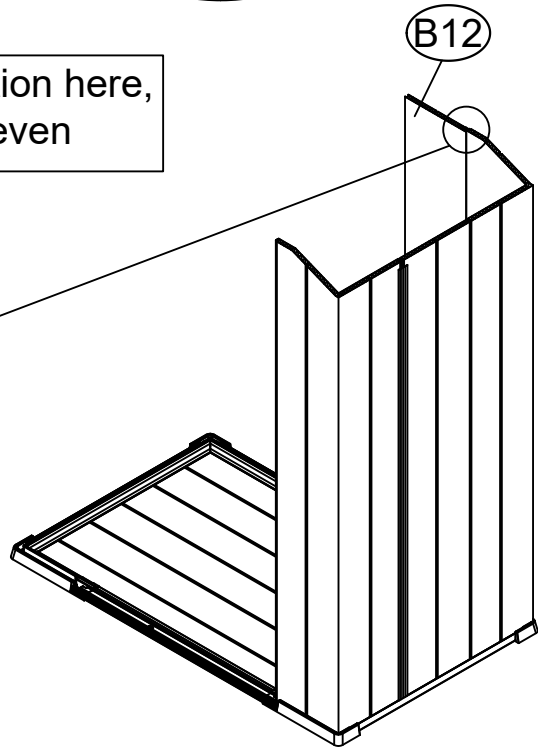


After installation here,
the top is uneven

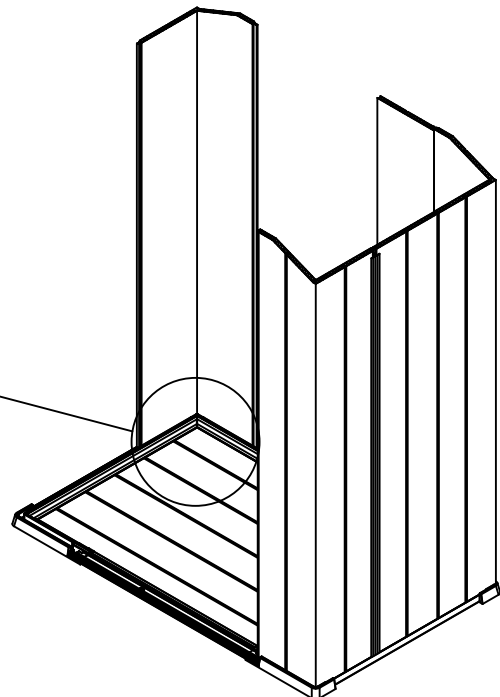
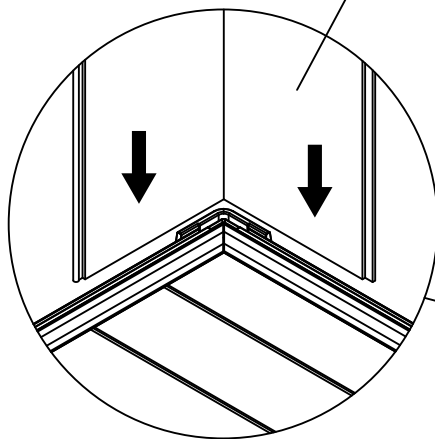
(B12)

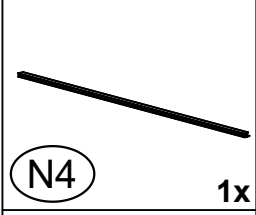
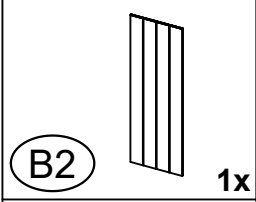


(B12)

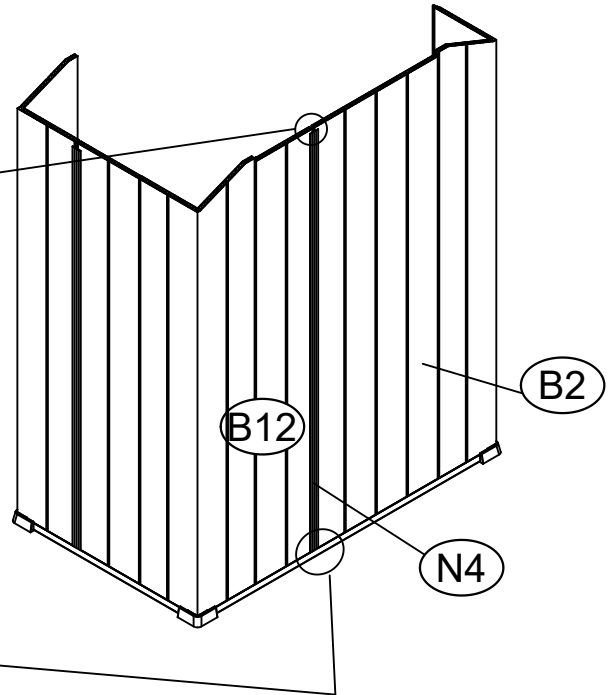
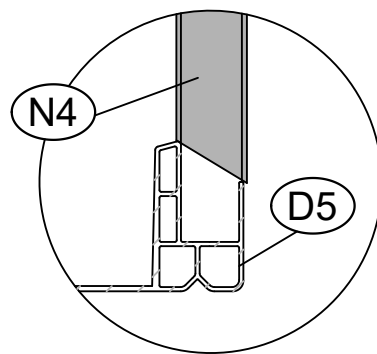
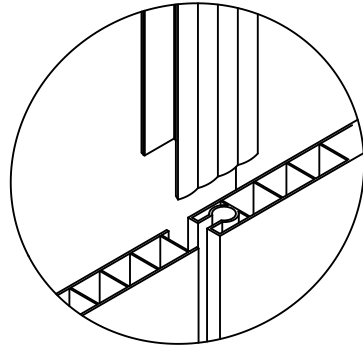


(B4L)

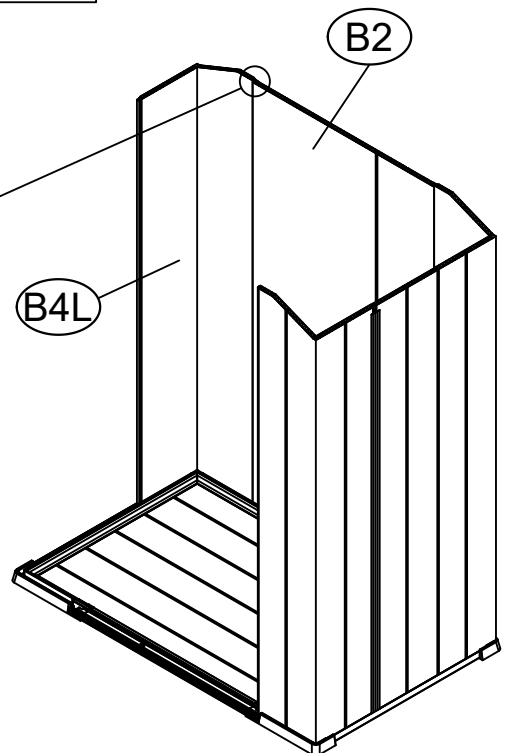
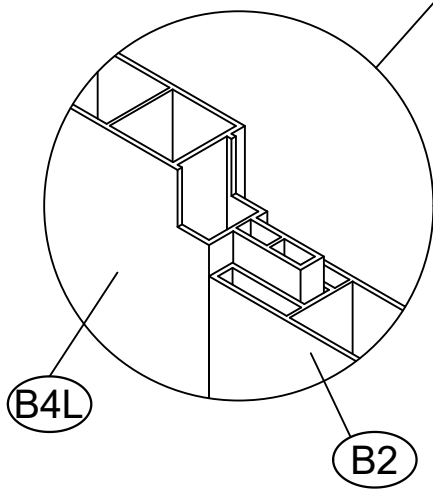


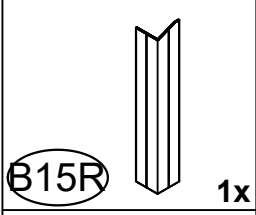
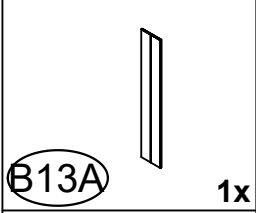


<8>

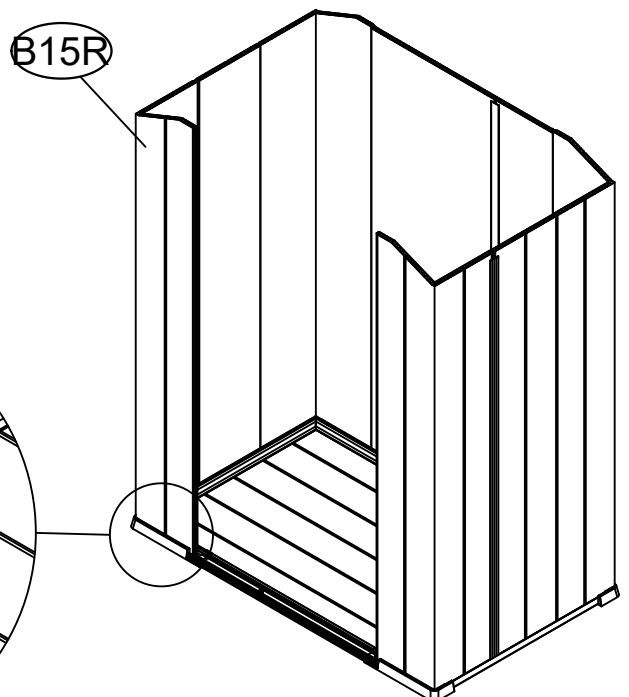
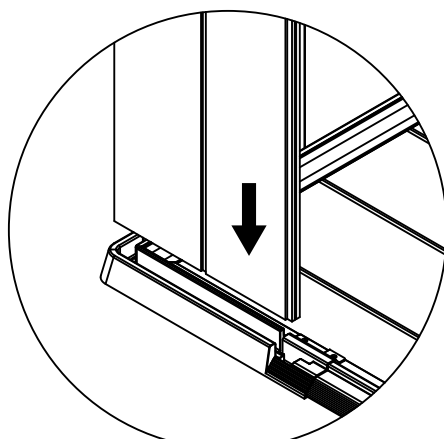
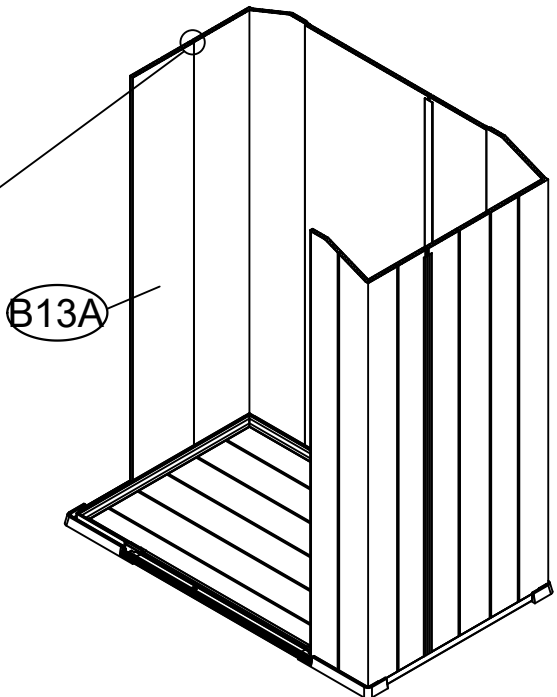
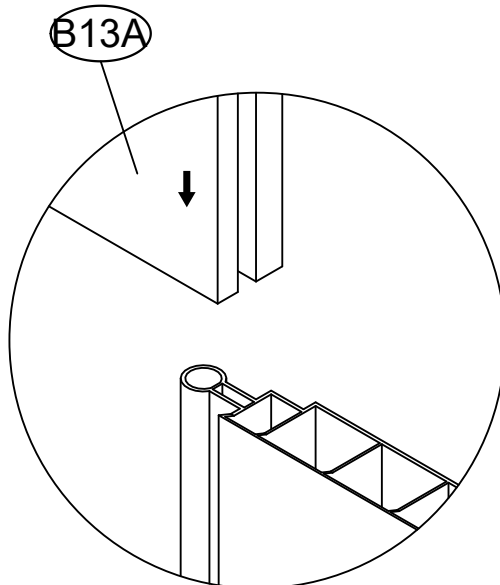


After installation here,
the top is uneven





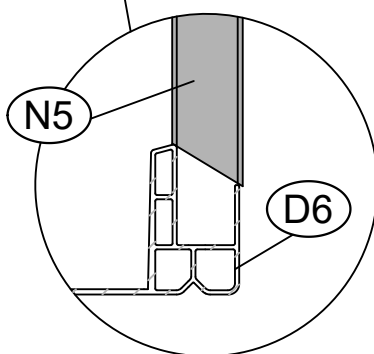
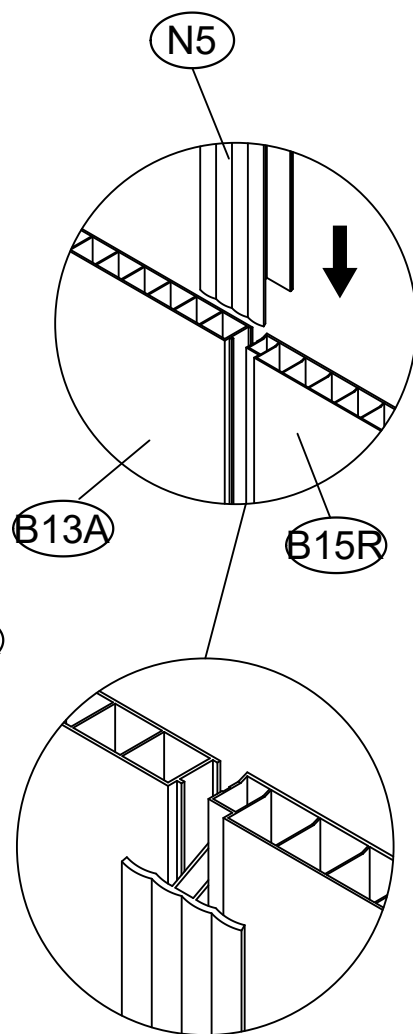
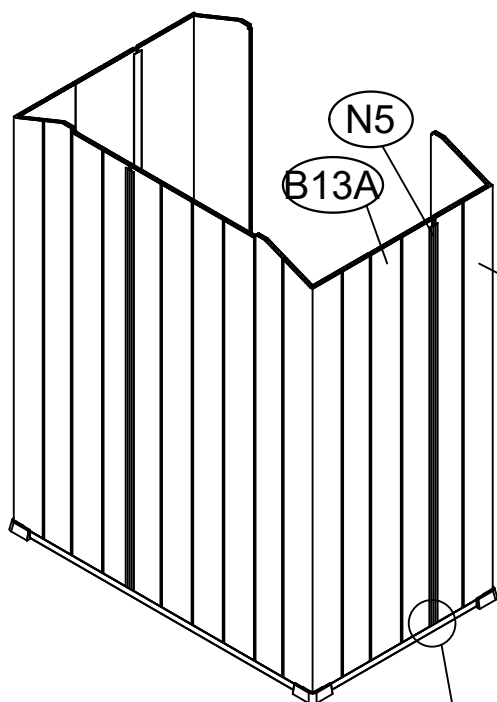
<9>



<10>

N5

1x





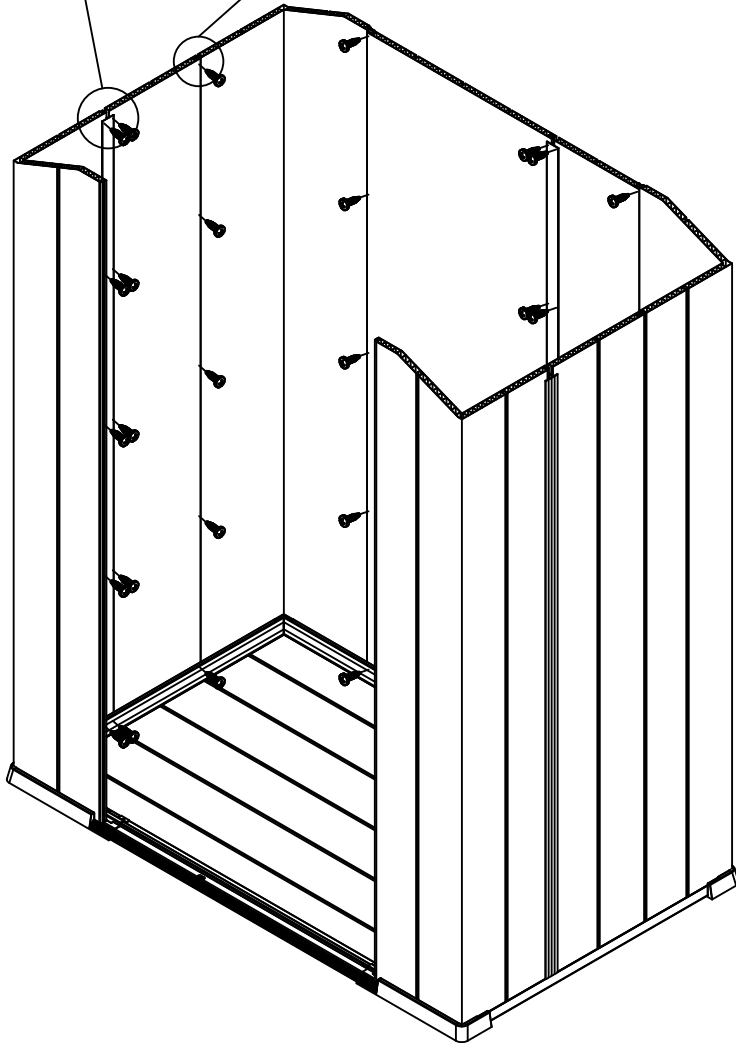
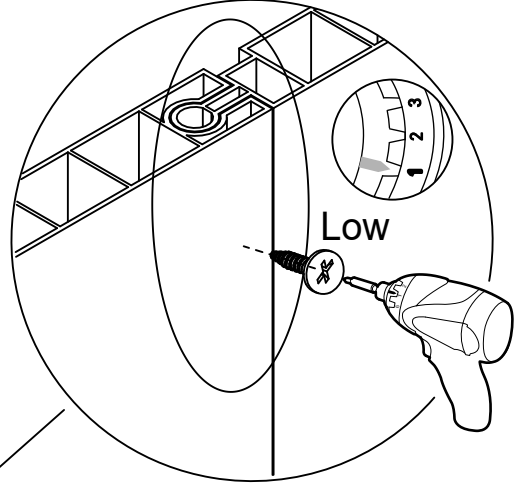
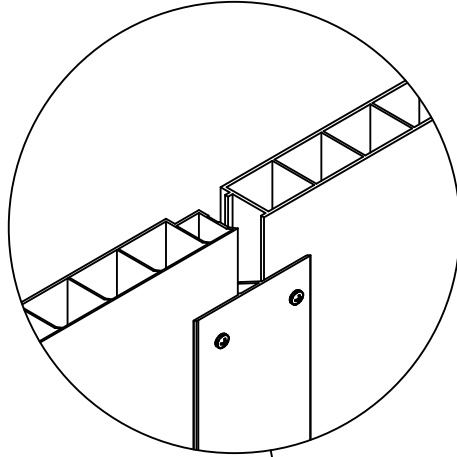
ST3.8x12

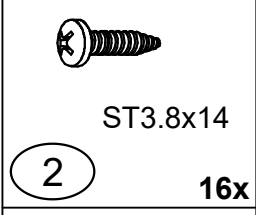
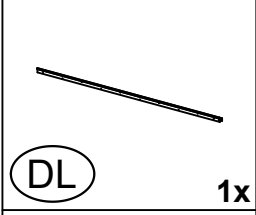
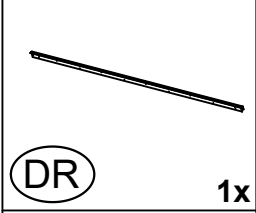
1

50x

<11>

The screw is screwed in at the junction of the board

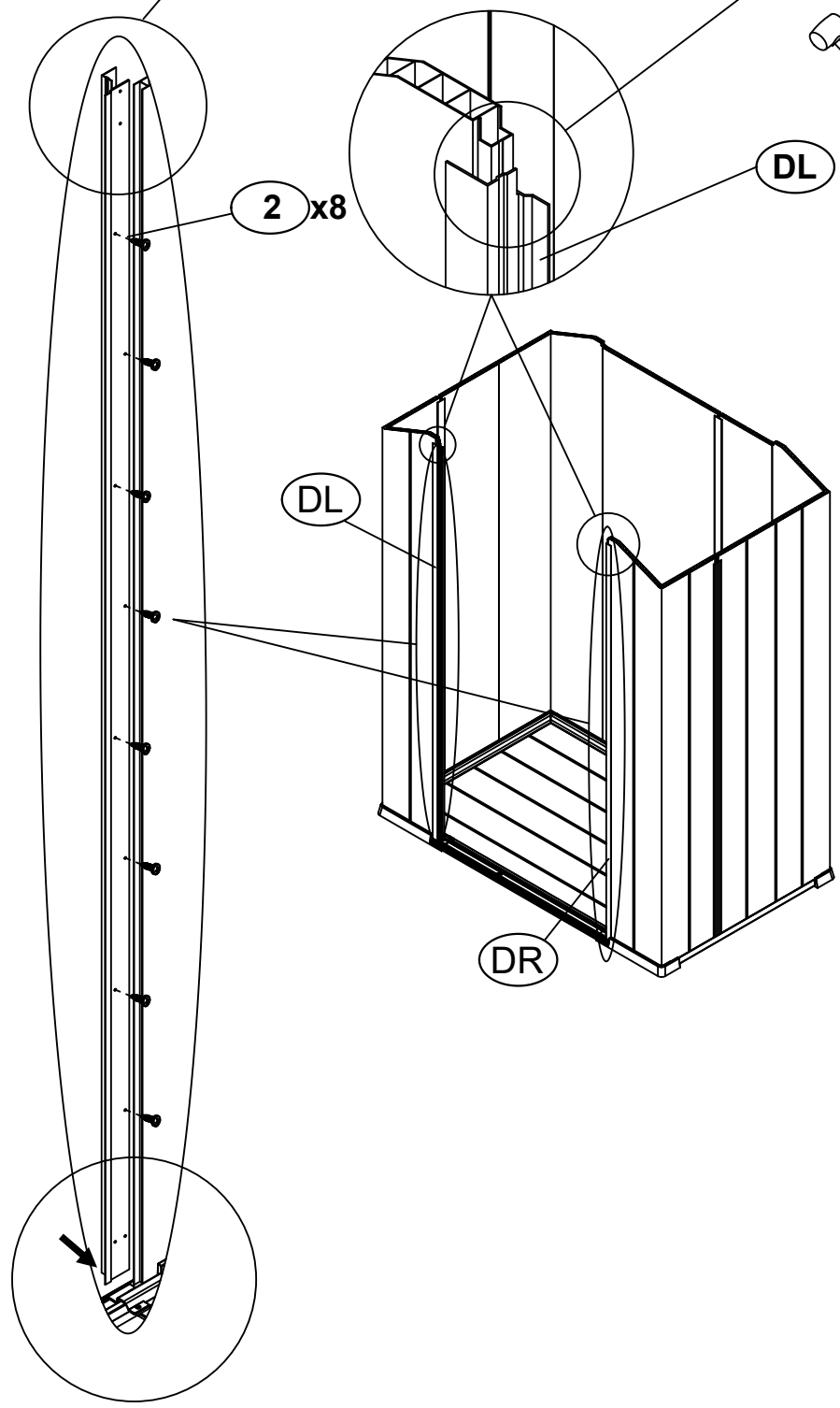




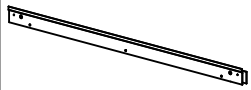
<12>

Do not screw the screw into the top hole first

Ensure proper installation before screwing in the self tapping screws



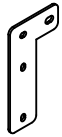
<13>



(DT3) 1x



(N3) 1x



(X1) 2x



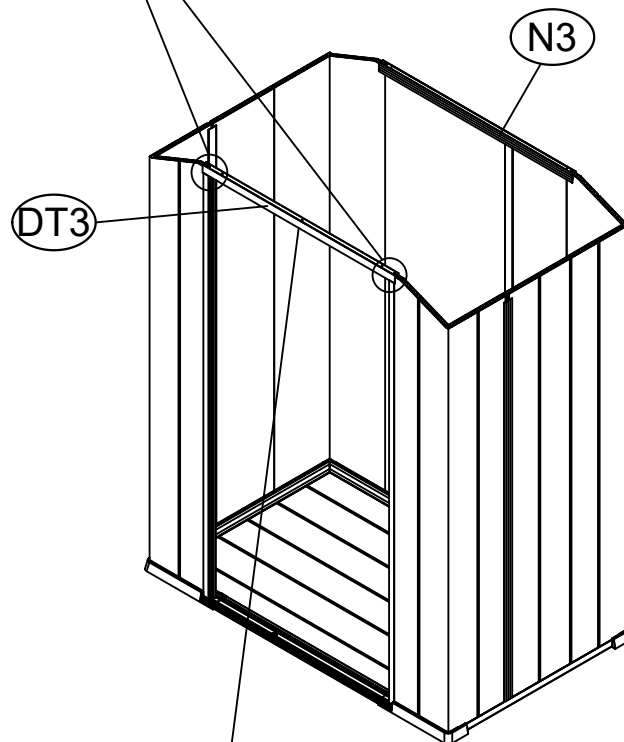
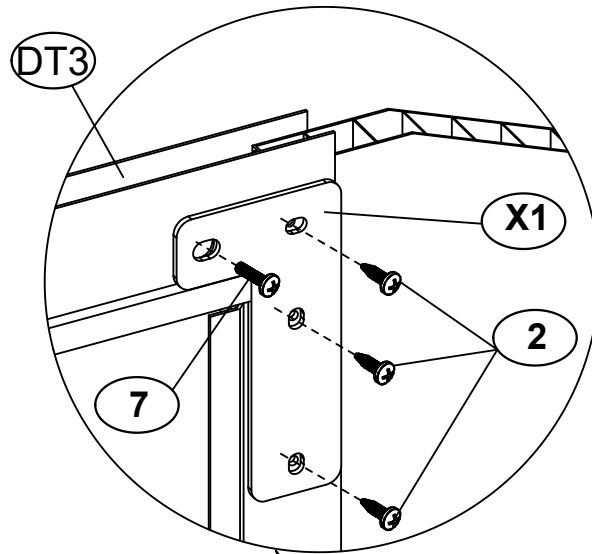
ST3.8x14

(2) 6x



M6x15

(7) 2x



#DT3# and #N3# should be placed into the center as much as possible



<14>

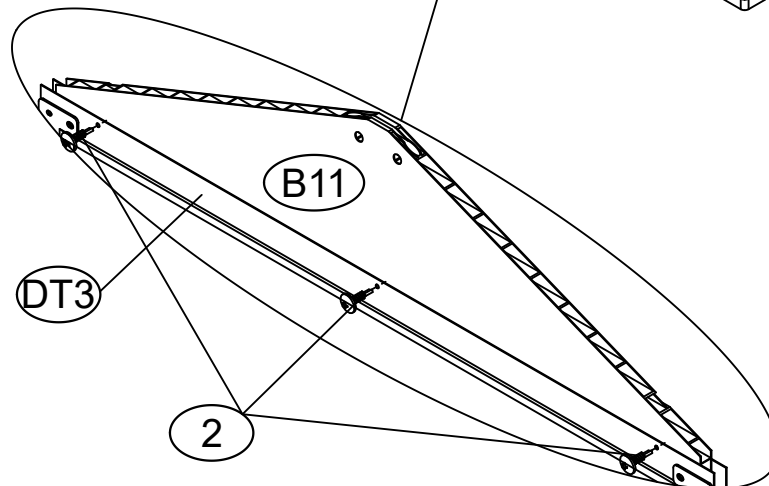
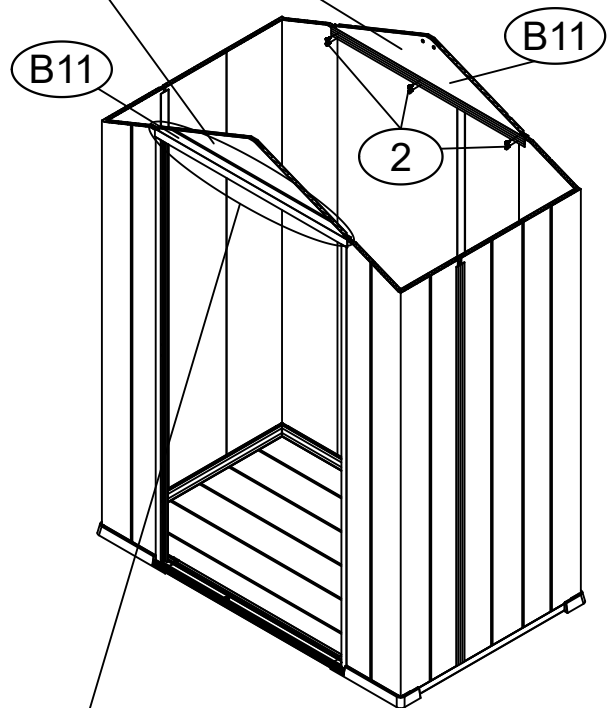
B11 2x

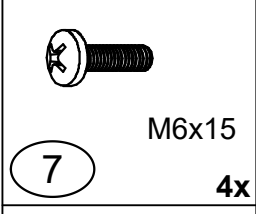
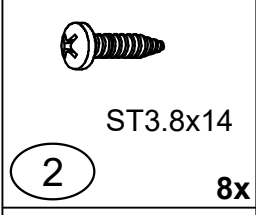
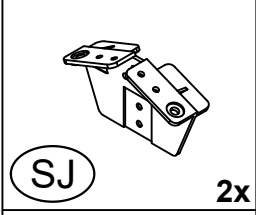
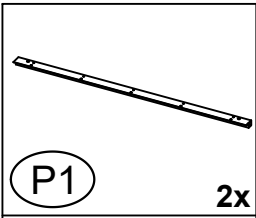


ST3.8x14

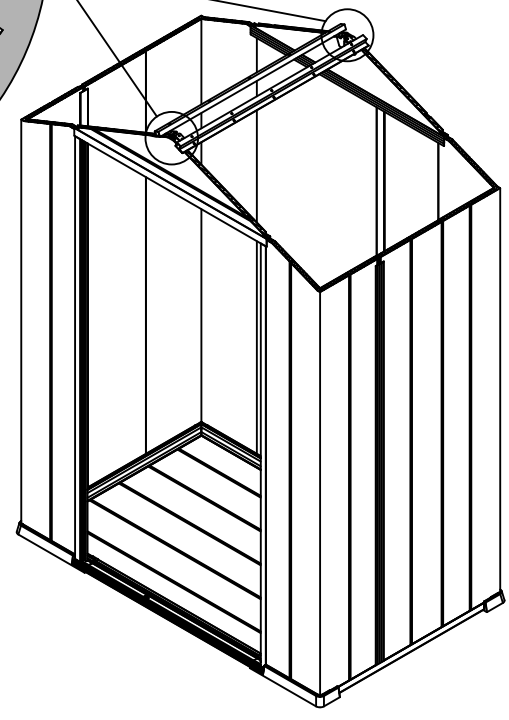
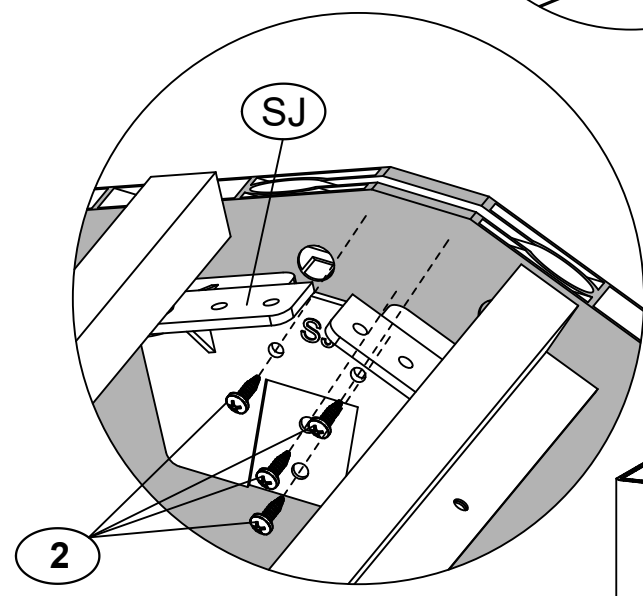
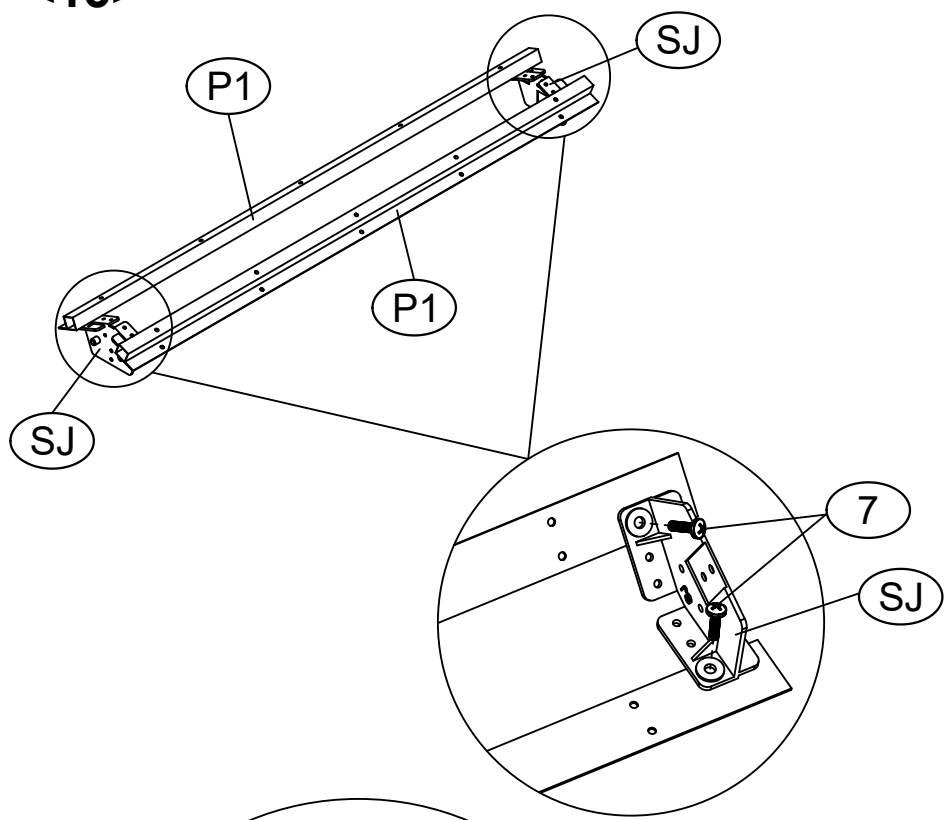
2 9x

Try to place it into the center as much as possible





<15>



<16>



H4

2x



J3

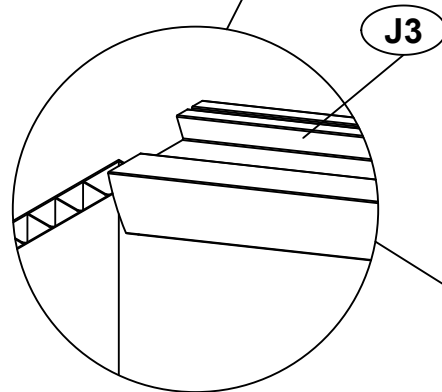
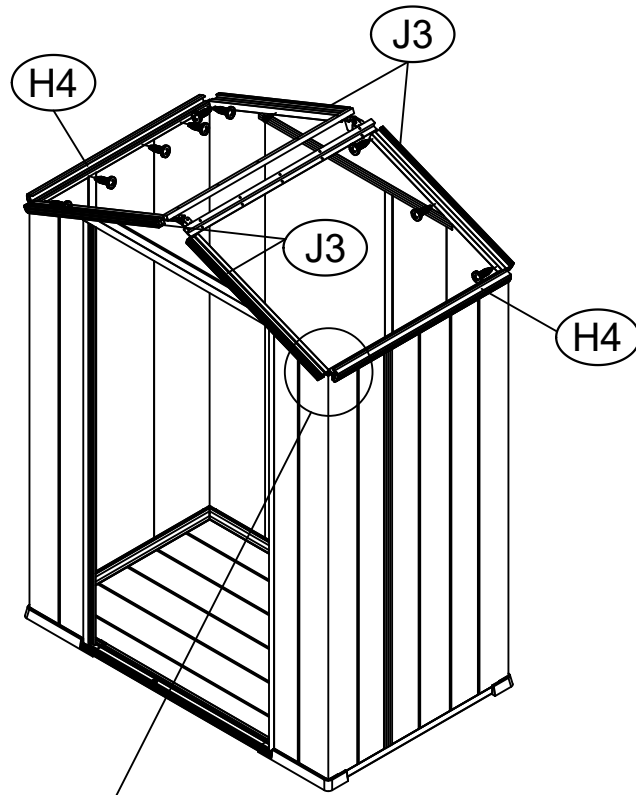
4x



ST3.8x14

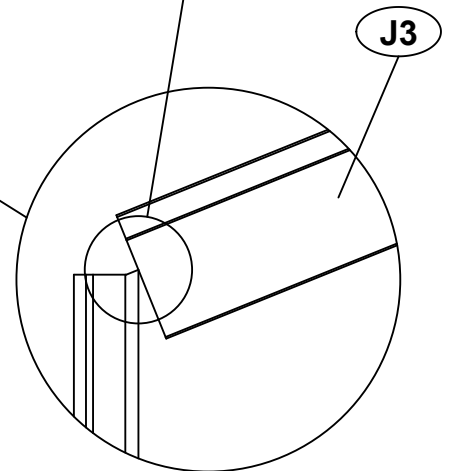
2

22x



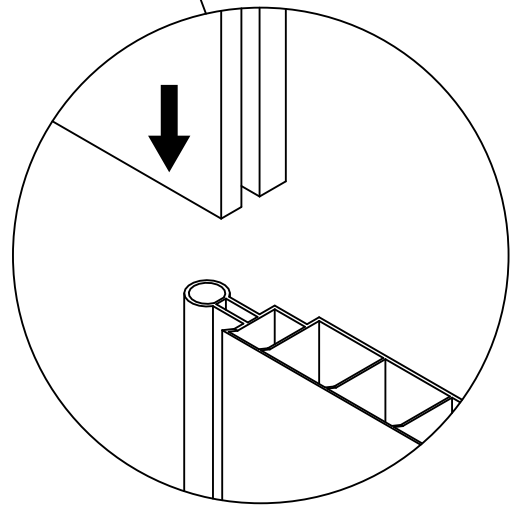
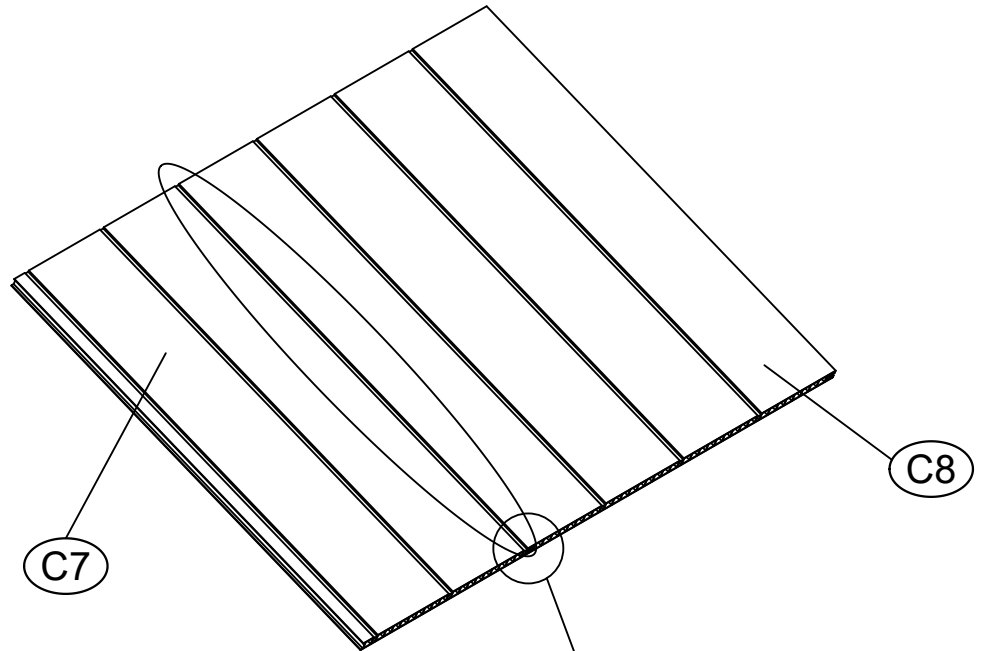
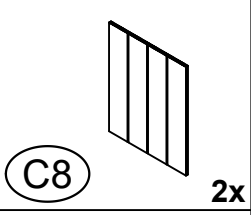
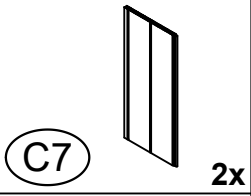
J3

#J3# is placed tightly against the bottom edge

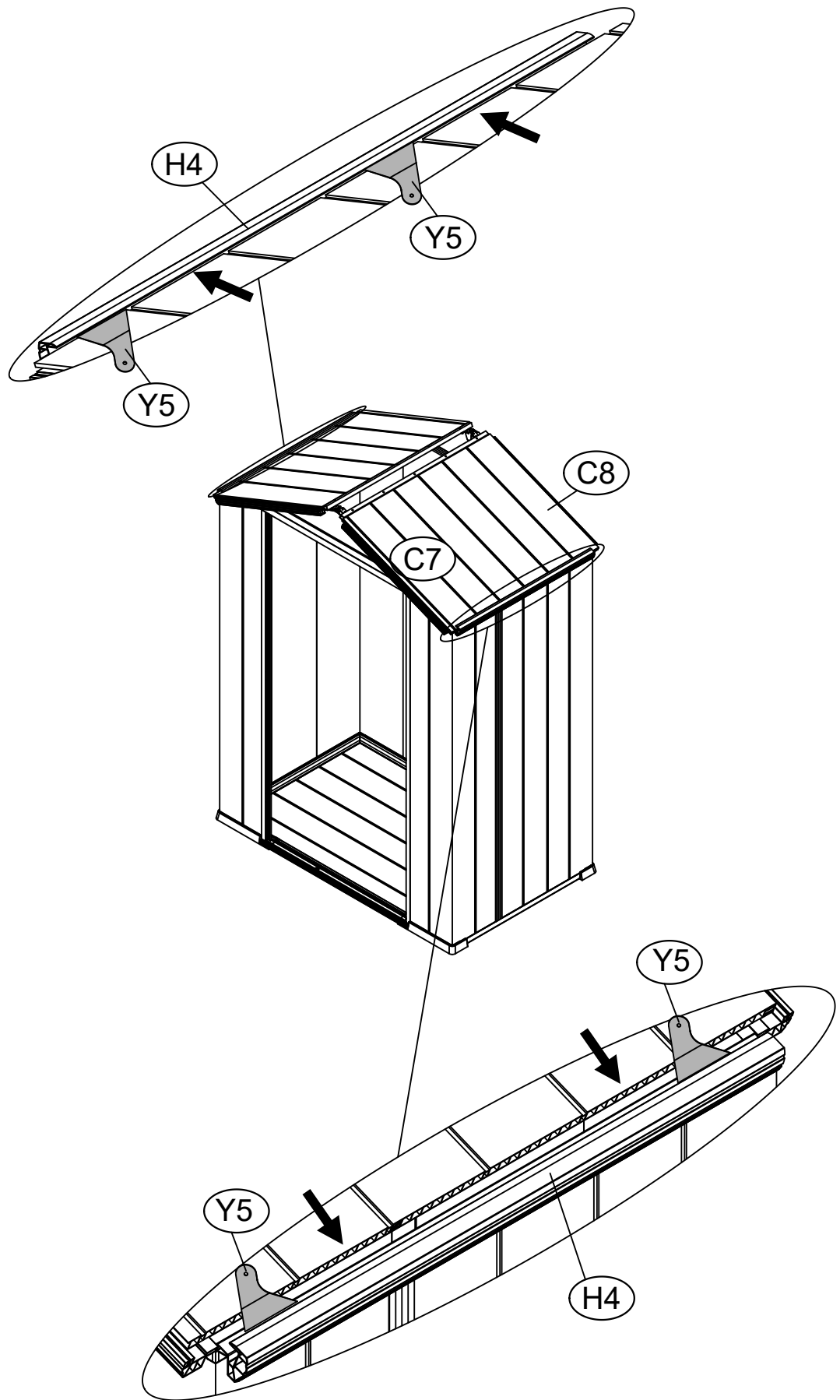


J3

<17>



<18>



<19>



Q5 1x



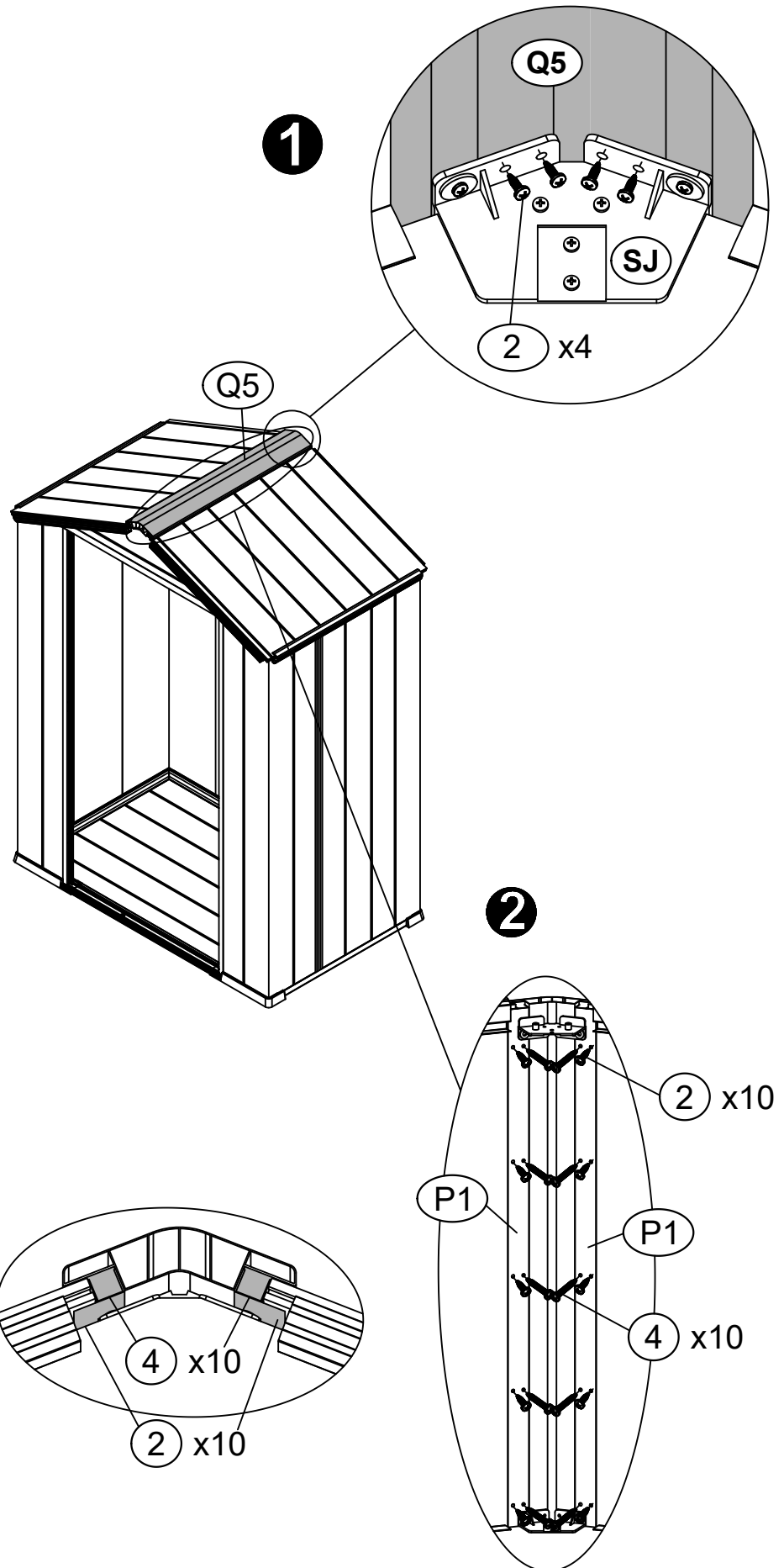
ST3.8x14

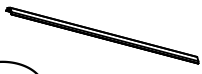
2 18x



ST4.8x32

4 10x





K3

4x

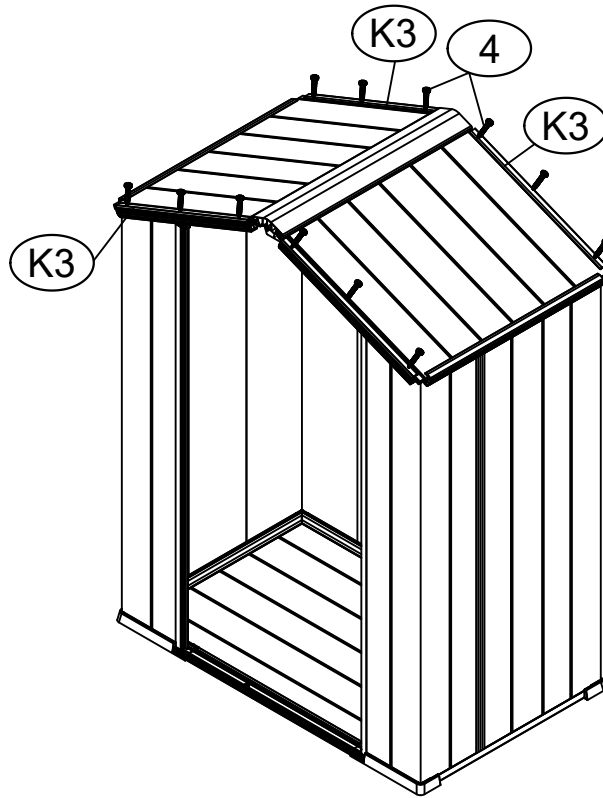
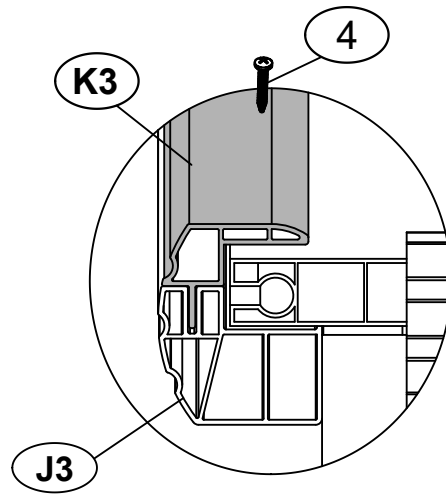


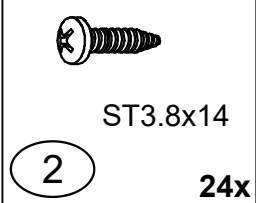
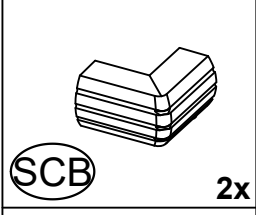
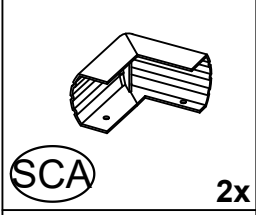
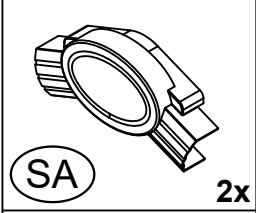
ST4.8x32

4

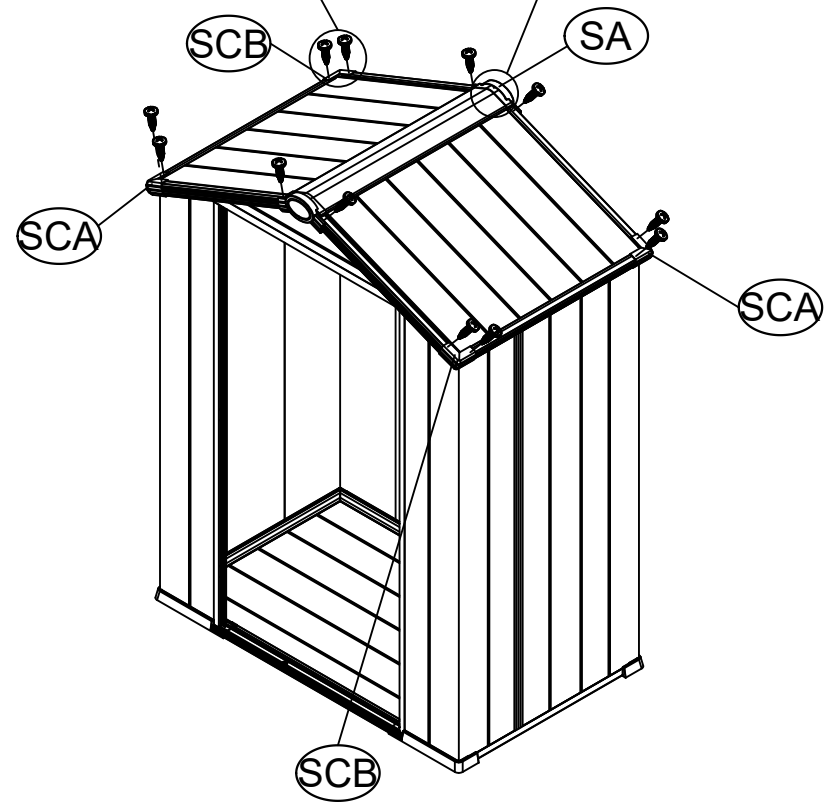
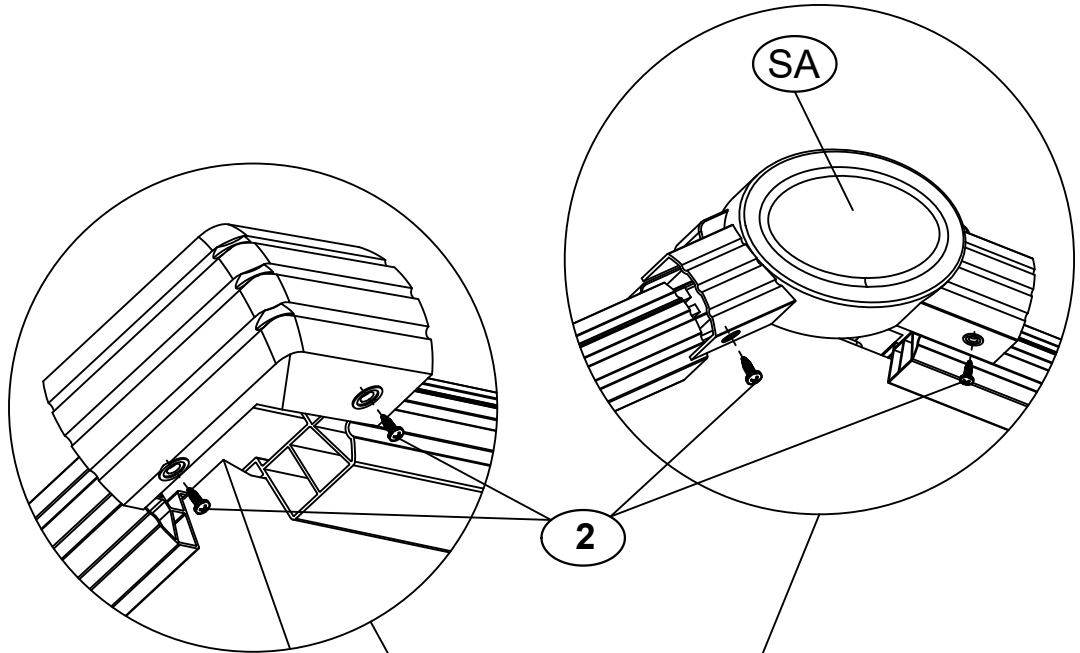
12x

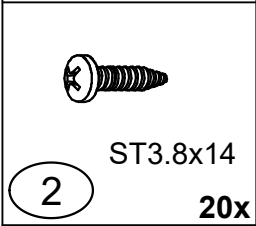
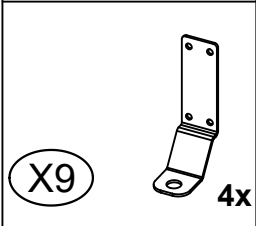
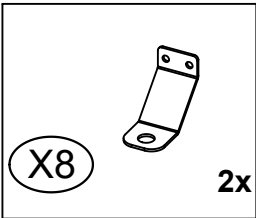
<20>



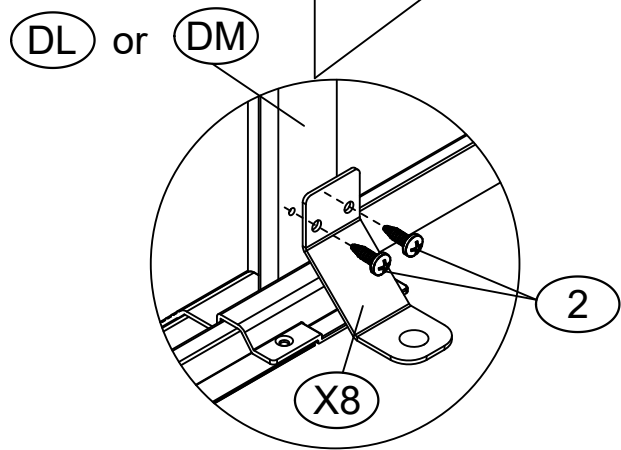
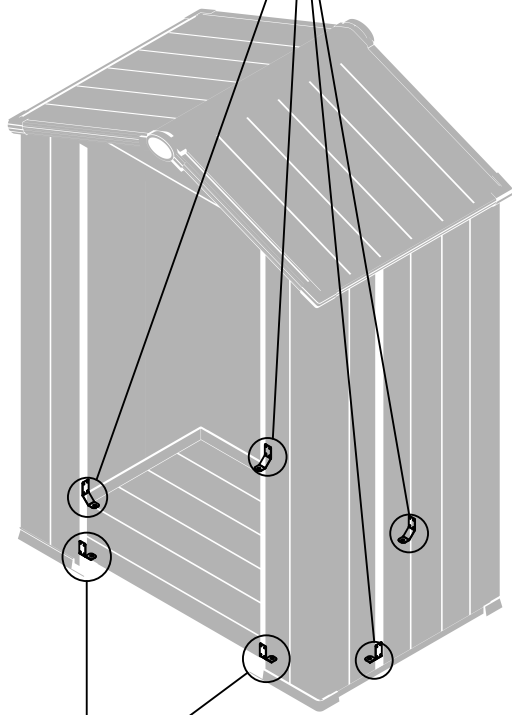
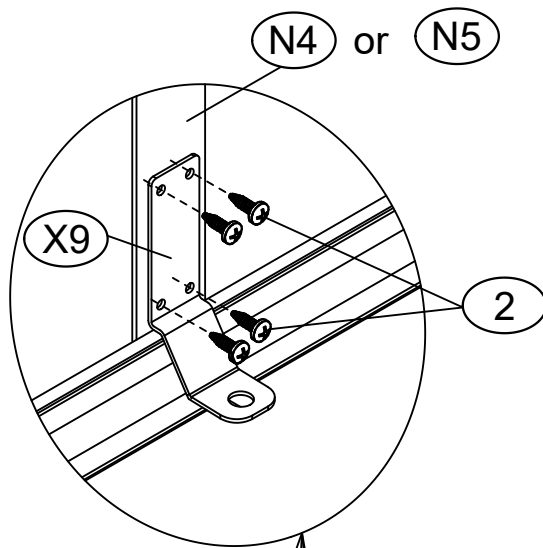



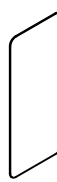
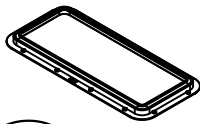
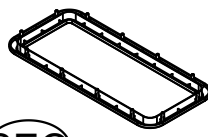


<21>





<22>



-  **(B5R)** 1x
-  **(SE)** 1x
-  **(SEI)** 1x
-  **(SEO)** 1x
-  **(X7)** 1x
-  **(6)** ST2.8x12 12x

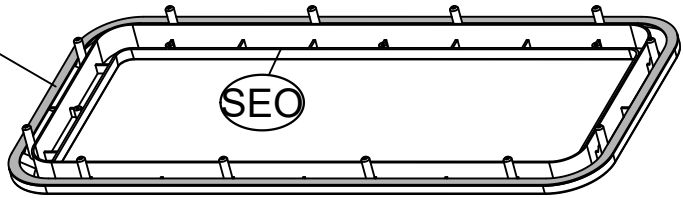
<23>

1

rubber
sealing
strip

(X7)

(SEO)



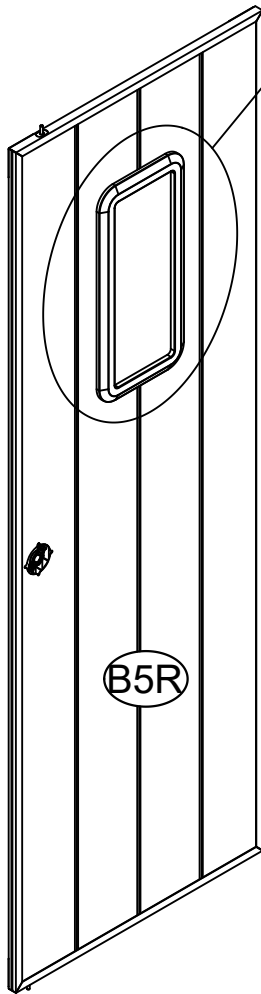
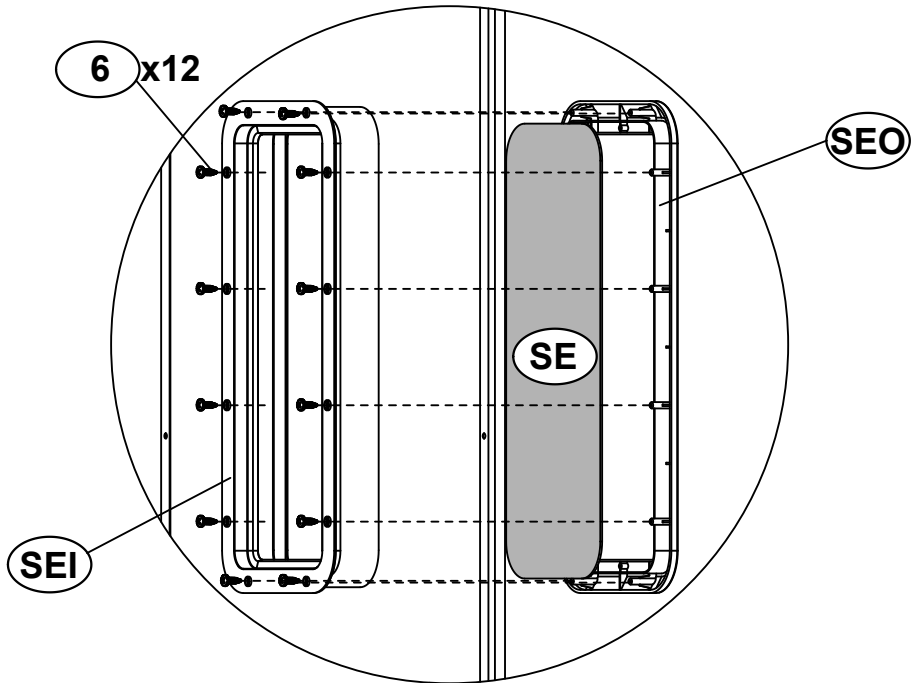
2

(6) x12

(SEO)

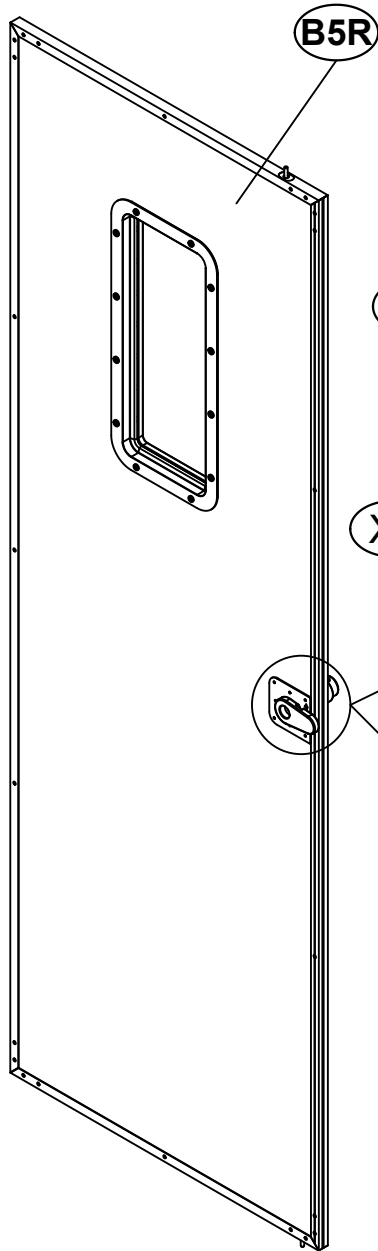
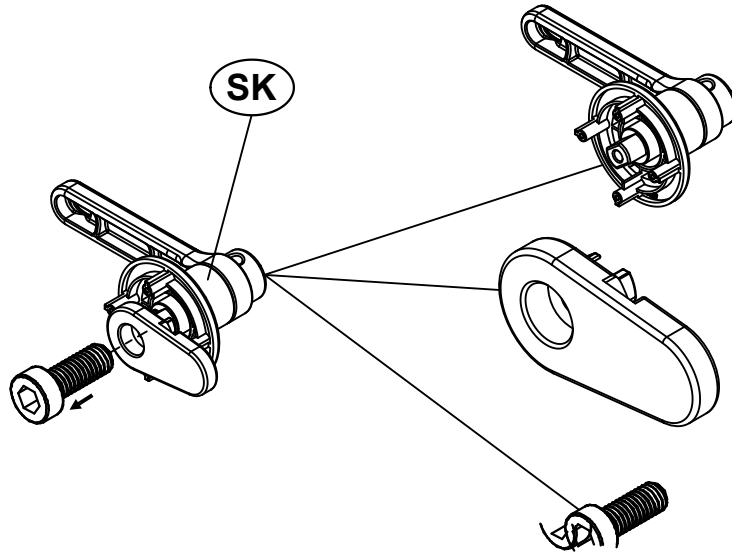
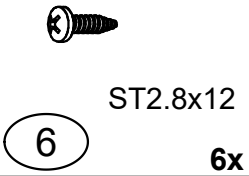
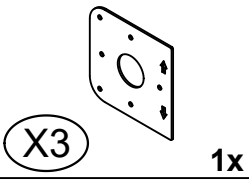
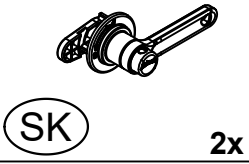
(SE)

(SEI)

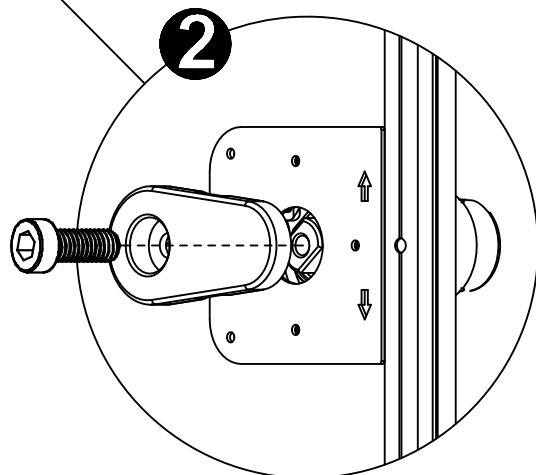
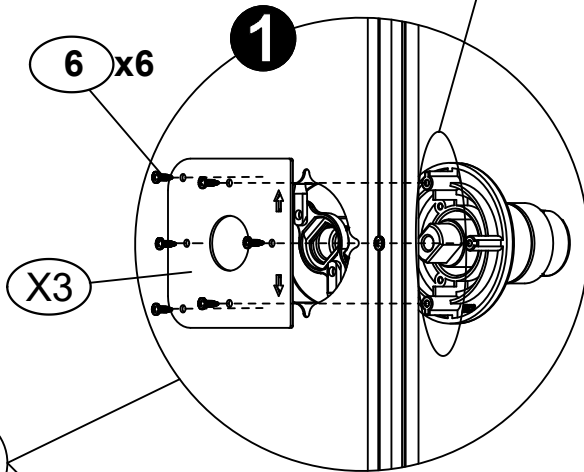


(B5R)

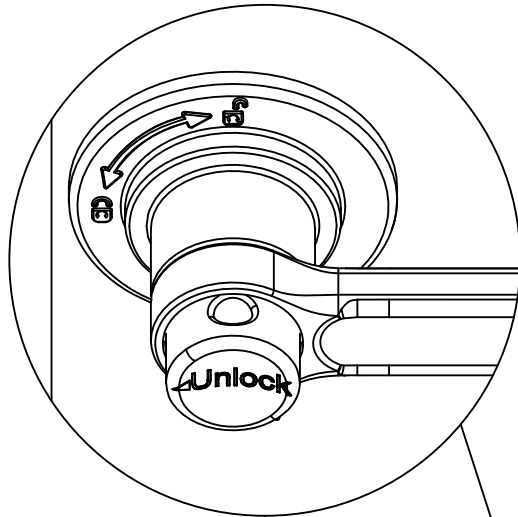
<24>



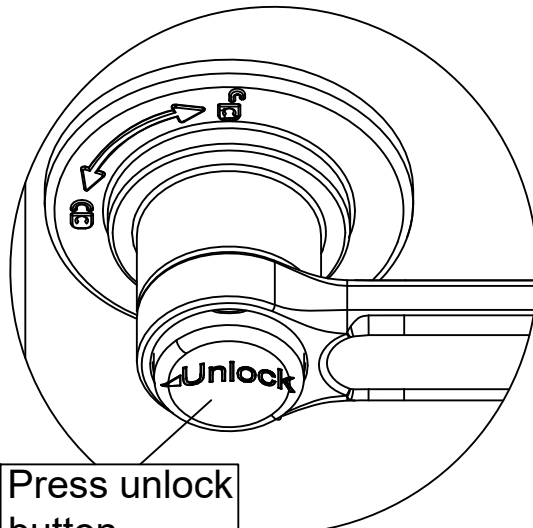
The direction of the raised steps during installation is located above and below



<25>

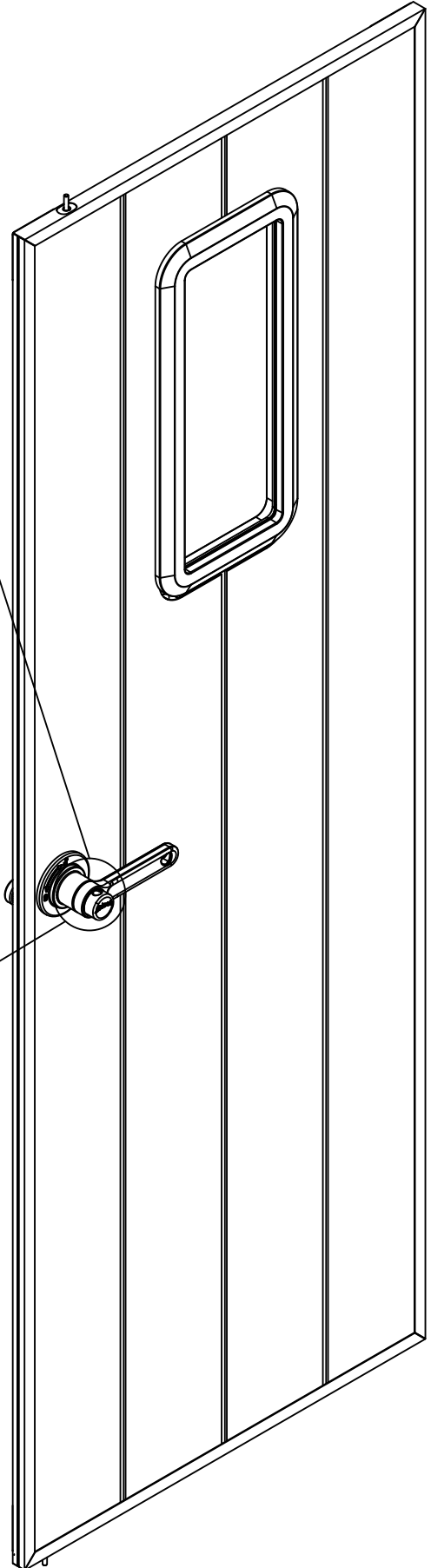


When the door lock button is in this state, the door handle is in the locked state and cannot be rotated



Press unlock button

When the door lock button is in this state, the door lock is unlocked and can be opened by pressing the door knob

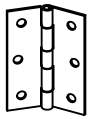




ST3.8x12

3

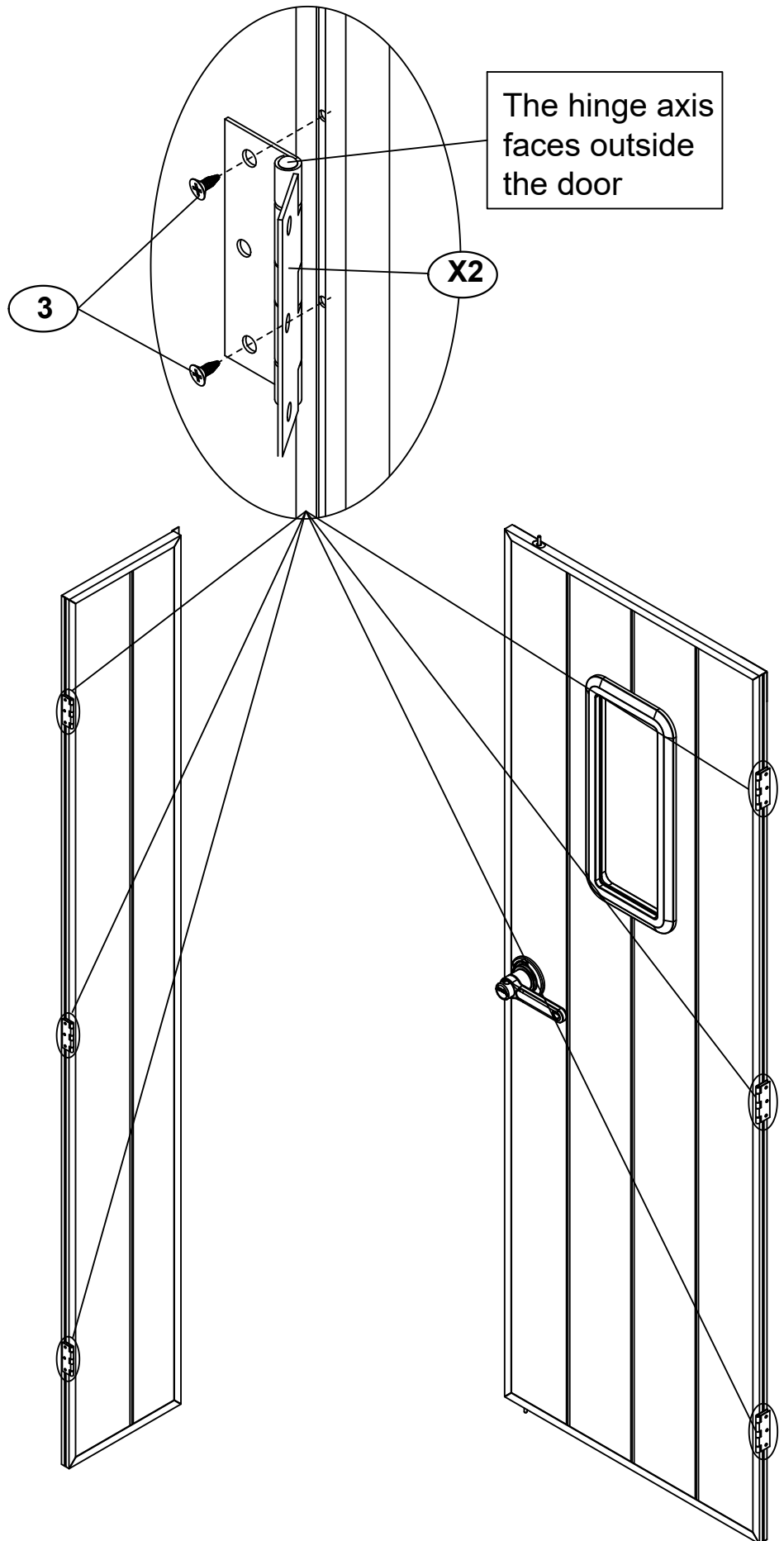
12x



X2

6x

<26>



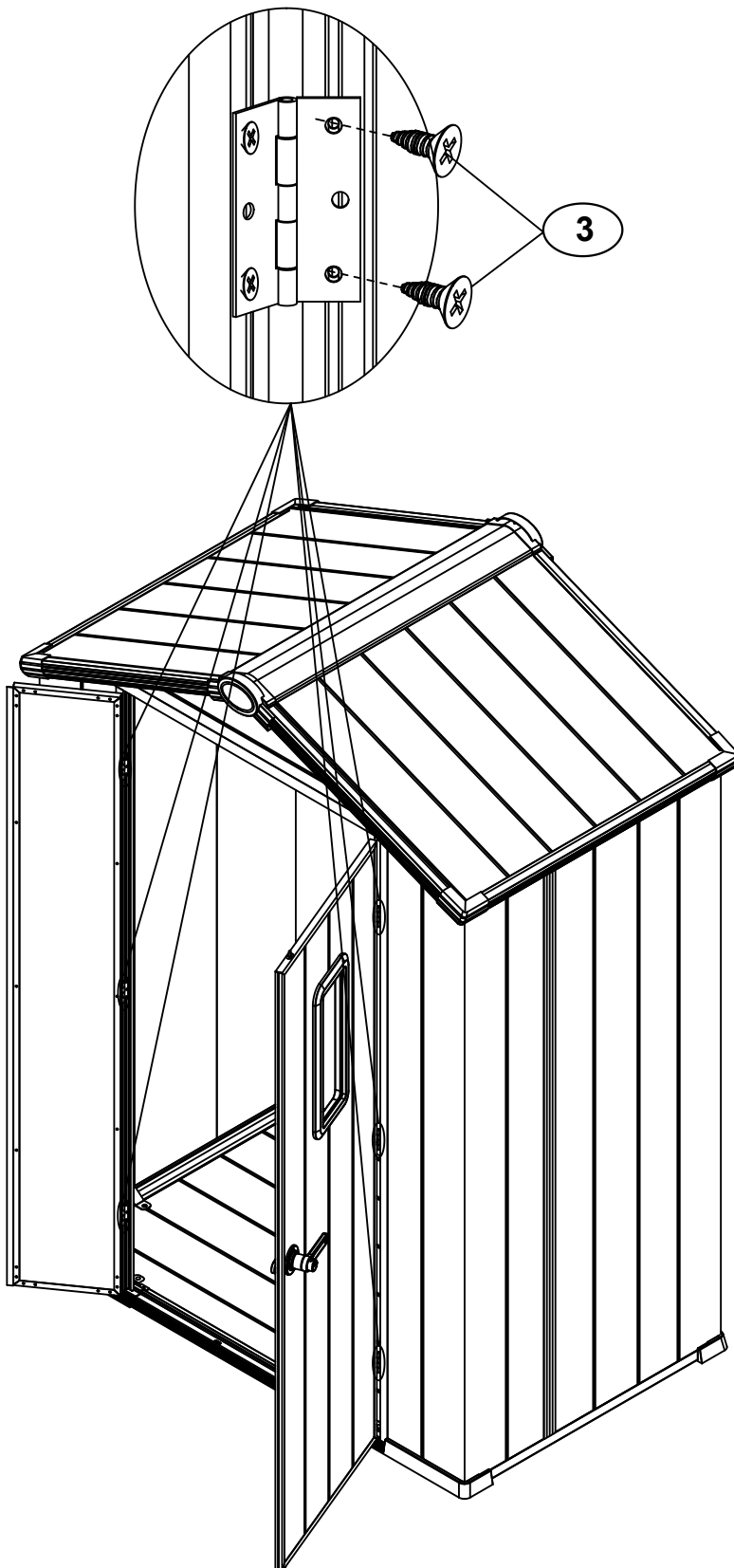


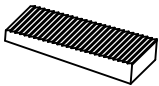
ST3.8x12

3

12x

<27>

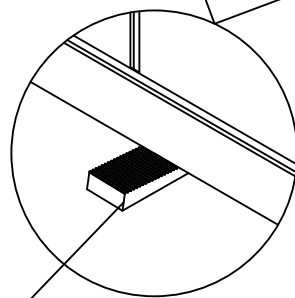
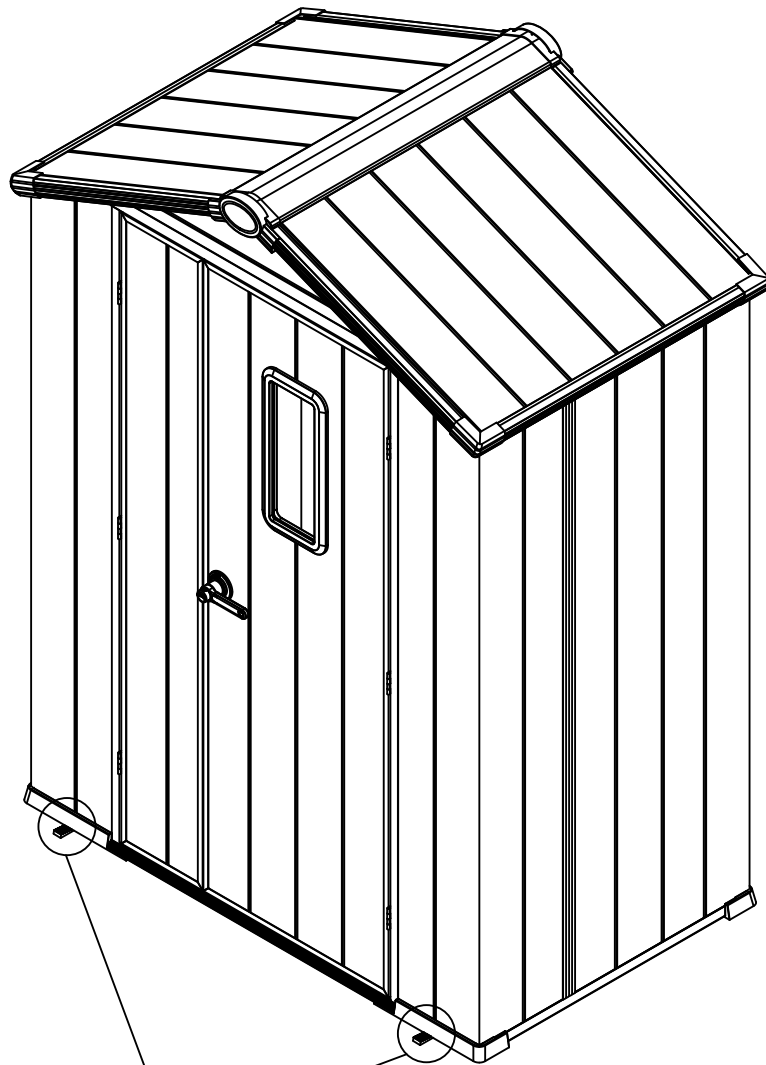




<28>

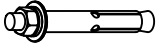
SP

2x



SP

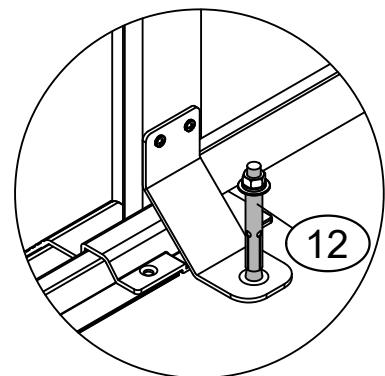
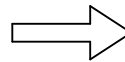
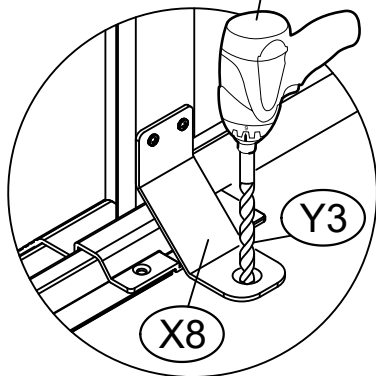
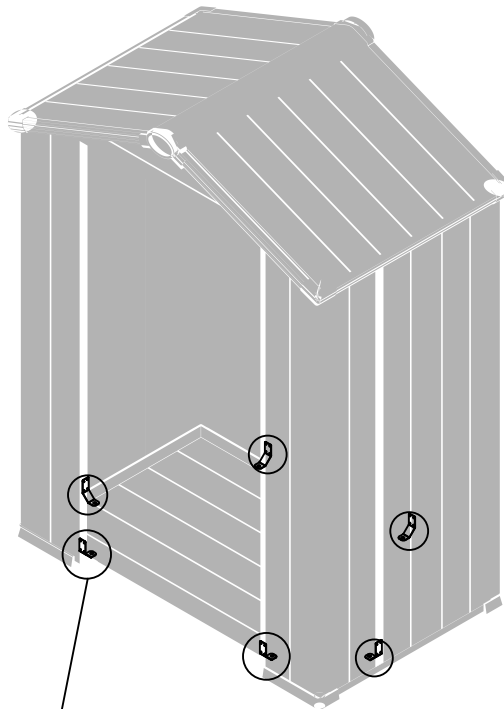
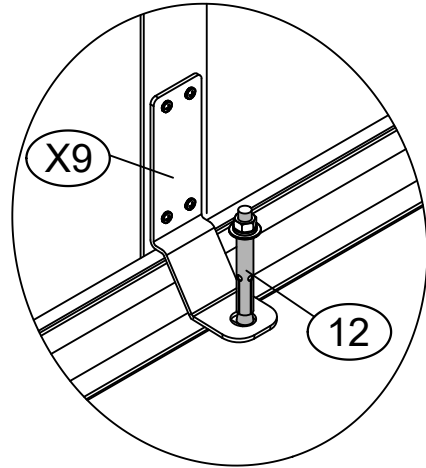
If the assembled rear door frame is tilted, the #SP# part can be placed on the left or right side of the tool house as shown.



M8x80
6X

12

<29>



You need to prepare
your own electric drill
to assist in drilling.