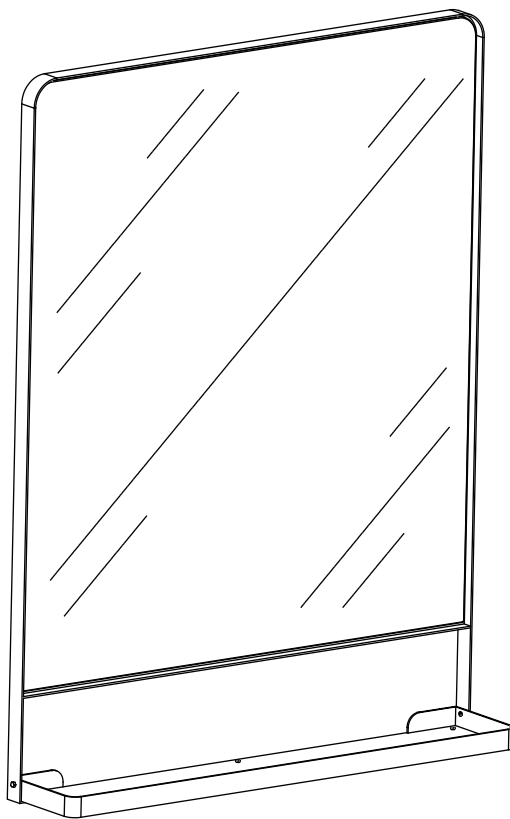


# INSTALLATION MANUAL

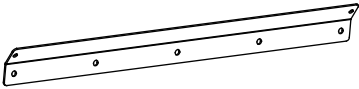
## BATHROOM MIRROR WITH SHELF



# ABOUT US

Thank you for shopping with us! We hope that our products have added a touch of brightness to your life. If you need any assistance, please don't hesitate to reach out. Our dedicated team is available 24/7 to ensure your satisfaction.

## PARTS & ACCESSORIES



Bracket x 1



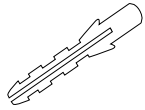
Nut x 5



CM4\*6 x 5



CM4\*8 x 1



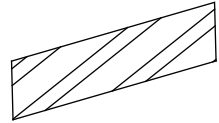
Wall Anchor x 6



Short Screw x 6

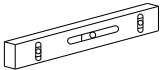


L-shaped Bracket x 1



Velcro Tape x 2

## TOOLS REQUIRED



Level Ruler



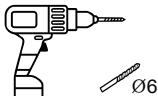
Marker



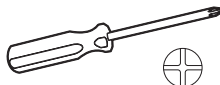
Hammer



Tape Measure



Electric Drill



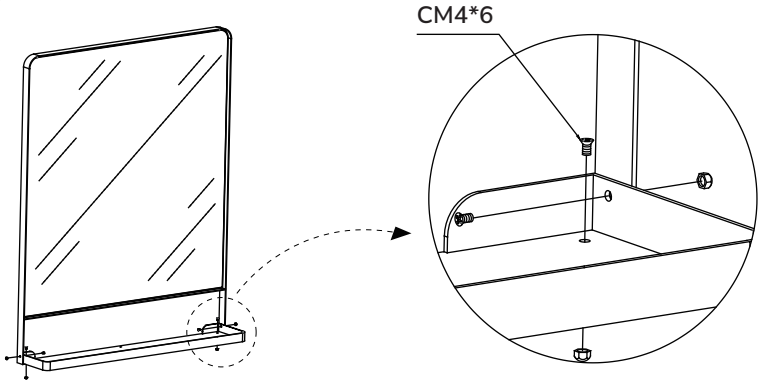
Phillips Screwdriver



Safety Goggles

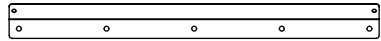
# ASSEMBLY INSTRUCTIONS

Please mount the shelf to the bathroom mirror first with 4 sets of nuts and bolts (CM4\*6) as demonstrated below:

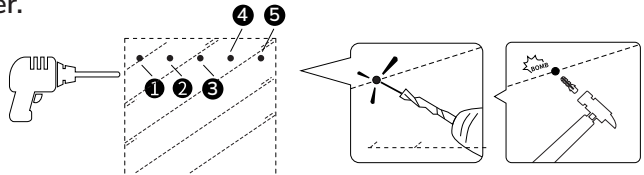


## INSTRUCTIONS: WALL MOUNTING

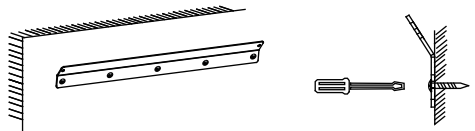
1. Confirm the locations of 5 drill holes with a level, and mark the spots on the wall with a marker.



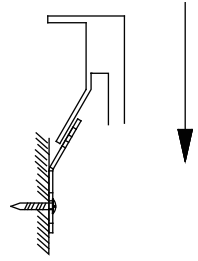
2. Use an electric drill to punch holes at the marked spots, and then apply wall anchors with a hammer.



3. Screw the bracket to the wall.

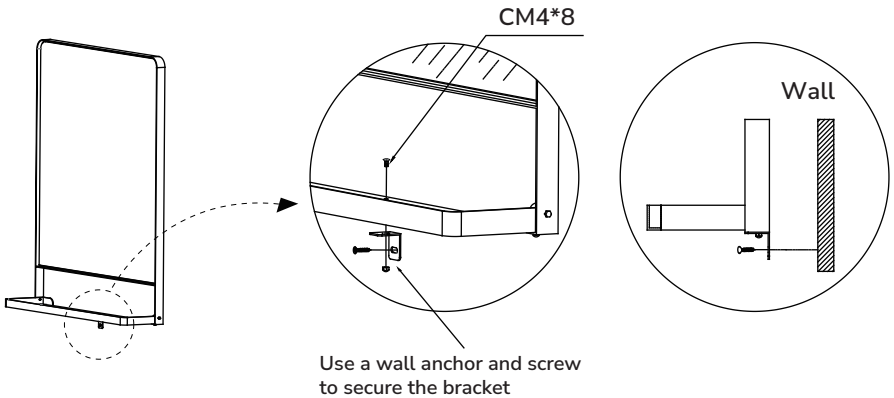


4. Place the mirror against the wall, align the hook with the mounted bracket, slowly lower the mirror down, and make sure that it slots into the right position and hangs securely.



5. Secure the shelf to the wall by using a L-shaped bracket or Velcro tape.

• Using a L-shaped Bracket



• Using Velcro Tape

