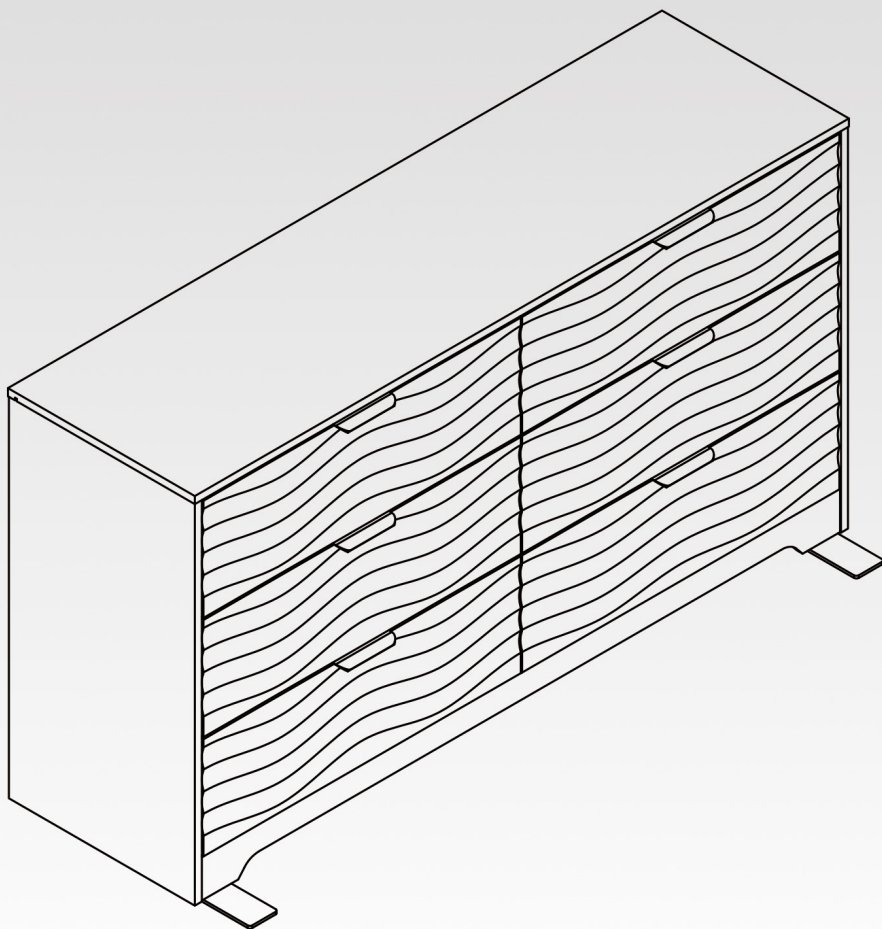


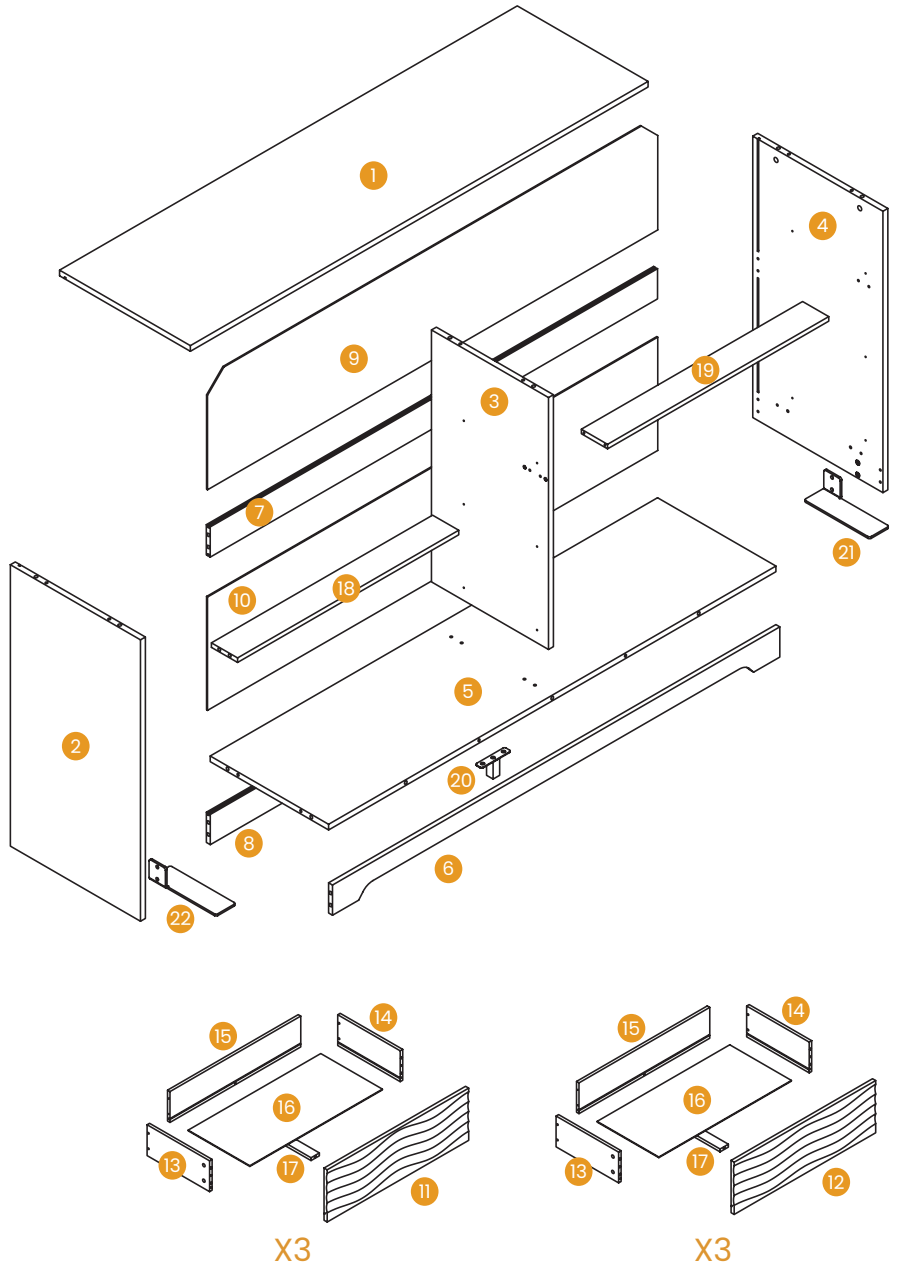
DP12

ASSEMBLY & INSTRUCTION MANUAL



CHEST OF DRAWERS

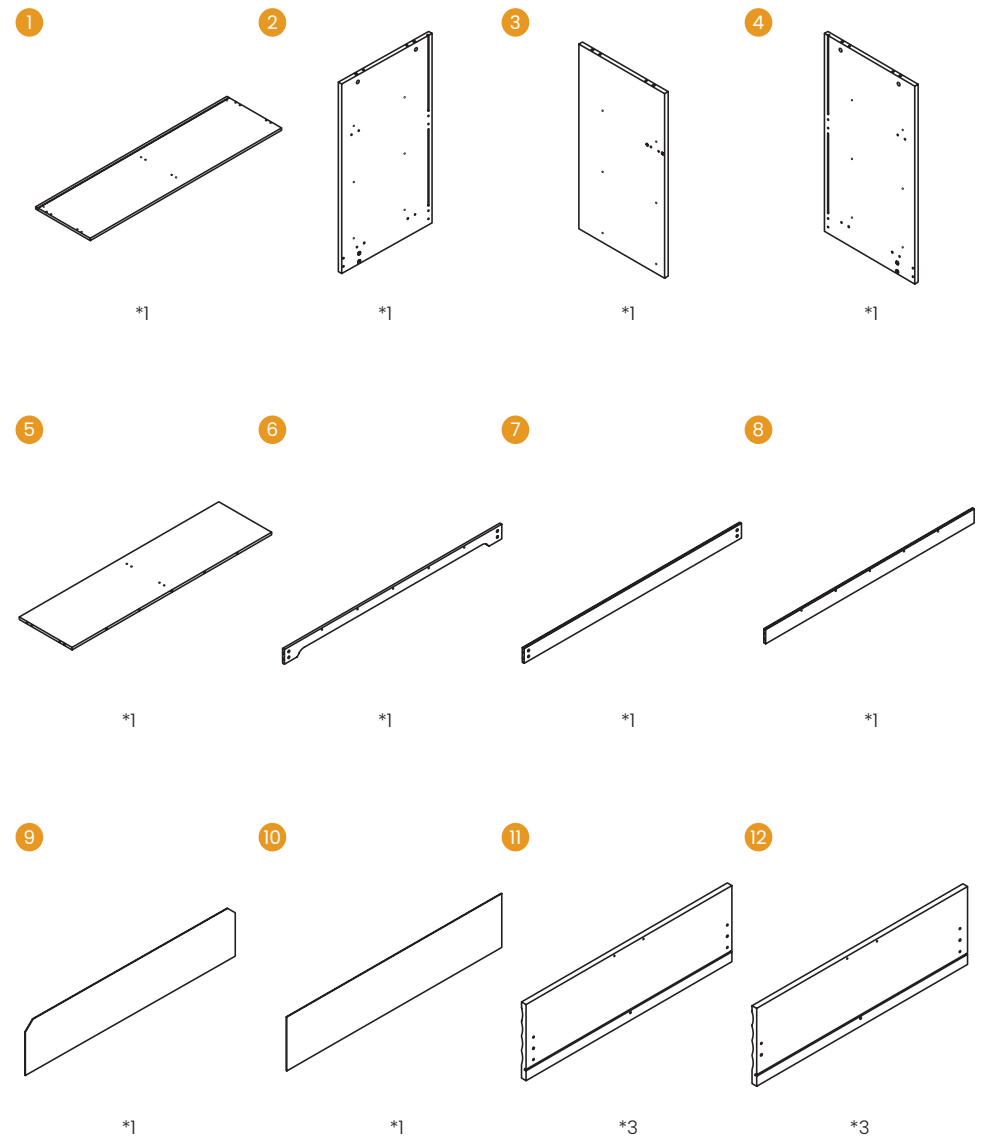
TECHNICAL EXPLODED VIEW DIAGRAM



PANEL COMPONENTS INVENTORY

PLEASE MAKE SURE ALL THE PARTS ARE INCLUDED.

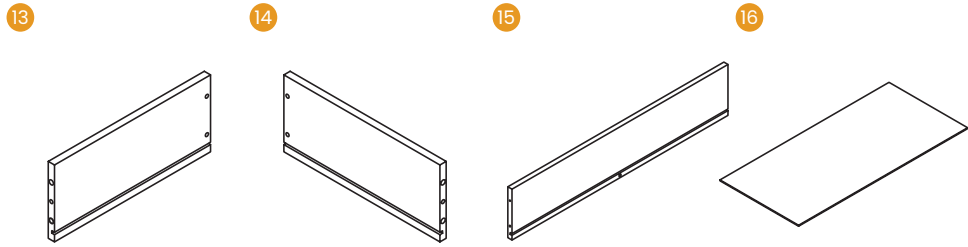
MISSING PARTS?
maloservice@hotmail.com



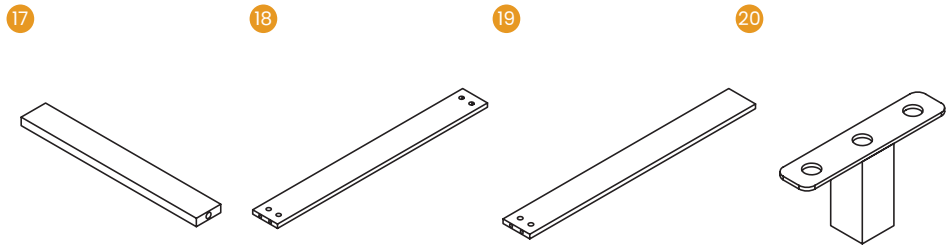
PANEL COMPONENTS INVENTORY

PLEASE MAKE SURE ALL THE PARTS ARE INCLUDED.

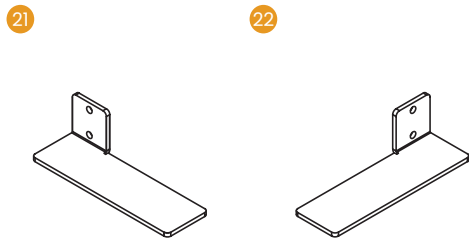
MISSING PARTS?
malolservice@hotmail.com



*6 *6 *6 *6



*6 *1 *1 *1

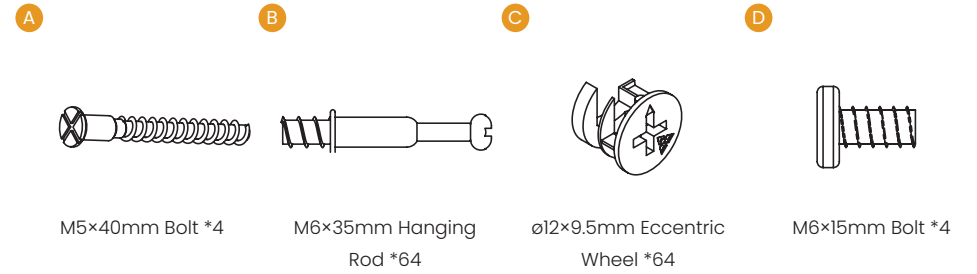


*1 *1

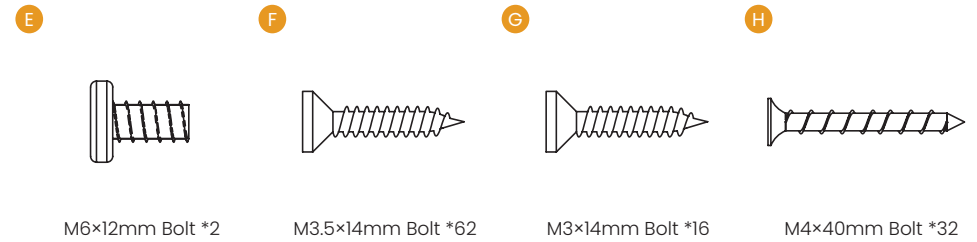
HARDWARE COMPONENTS INVENTORY

PLEASE MAKE SURE ALL THE PARTS ARE INCLUDED.

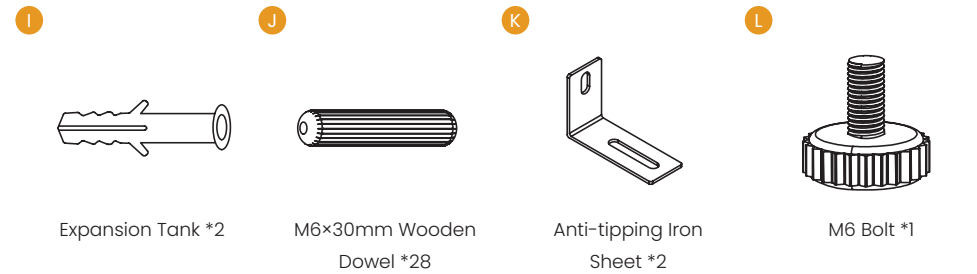
MISSING PARTS?
malolservice@hotmail.com



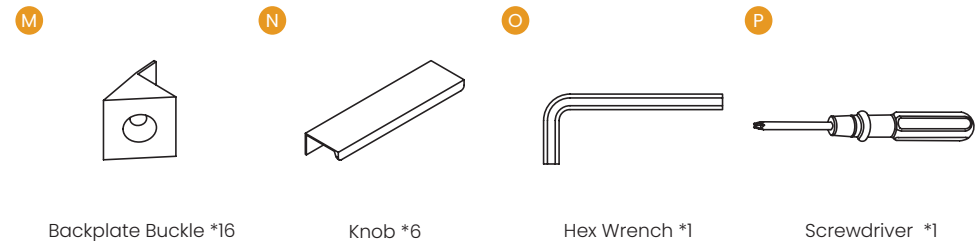
M5x40mm Bolt *4 M6x35mm Hanging Rod *64 ø12x9.5mm Eccentric Wheel *64 M6x15mm Bolt *4



M6x12mm Bolt *2 M3.5x14mm Bolt *62 M3x14mm Bolt *16 M4x40mm Bolt *32



Expansion Tank *2 M6x30mm Wooden Dowel *28 Anti-tipping Iron Sheet *2 M6 Bolt *1



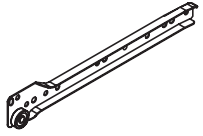
Backplate Buckle *16 Knob *6 Hex Wrench *1 Screwdriver *1

HARDWARE COMPONENTS INVENTORY

PLEASE MAKE SURE ALL THE PARTS ARE INCLUDED.

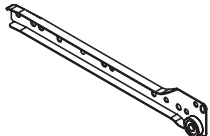
MISSING PARTS?
malolservice@hotmail.com

CL



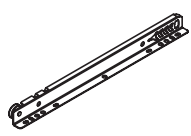
300mm Cabinet Left
Runner *6

CR



300mm Cabinet Right
Runner *6

DR



300mm Drawer Right
Runner *6

DL



300mm Drawer Left
Runner *6

BEFORE YOU GET STARTED, A FEW POINTERS:



Having a friend to help makes assembly extra-easy.

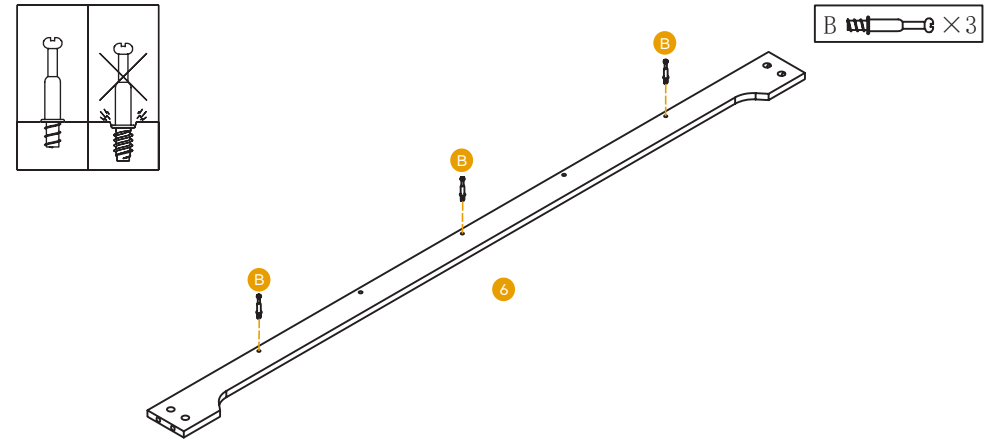


Mind the important safety information.

ASSEMBLY INSTRUCTIONS

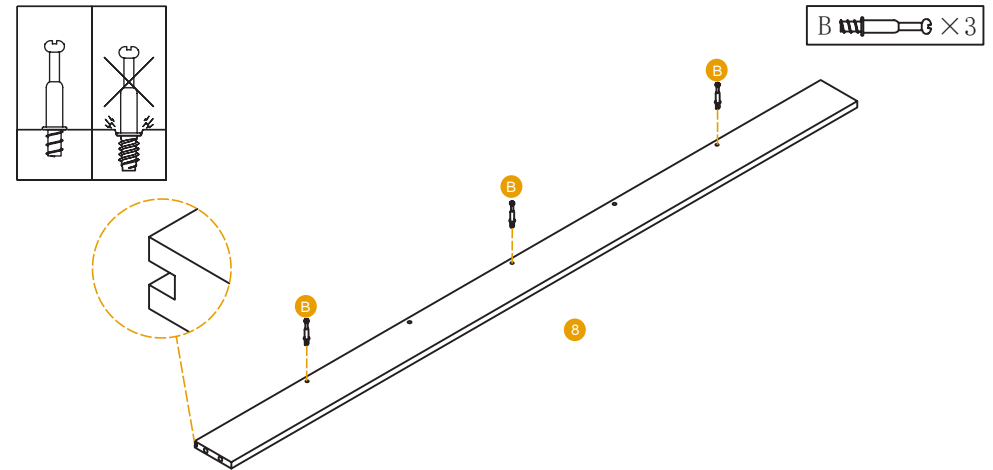
STEP 1 Screw Hanging Rod (B) into the corresponding position on ⑥ according to the hole pattern shown in the diagram.

Note: The screw should be flush with the surface of the plate; do not overtighten.



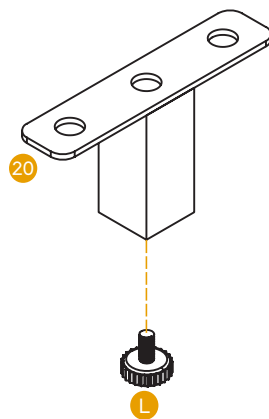
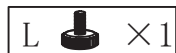
STEP 2 Screw Hanging Rod (B) into the corresponding position on ⑧ according to the hole pattern shown in the diagram.

Note: The screw should be flush with the surface of the plate; do not overtighten.

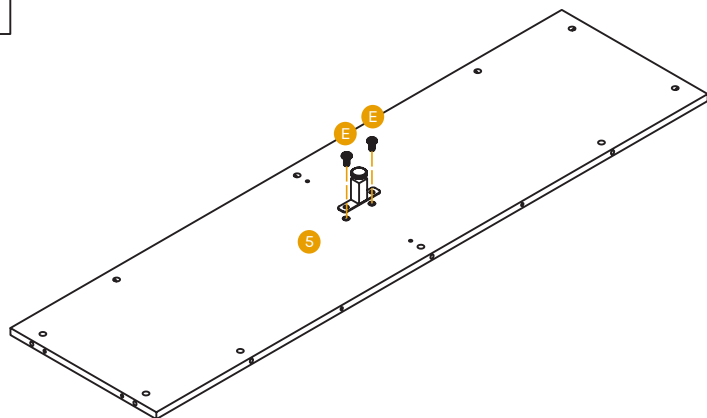


ASSEMBLY INSTRUCTIONS

STEP 3 Place Bolt (L) at the bottom of ⑳.

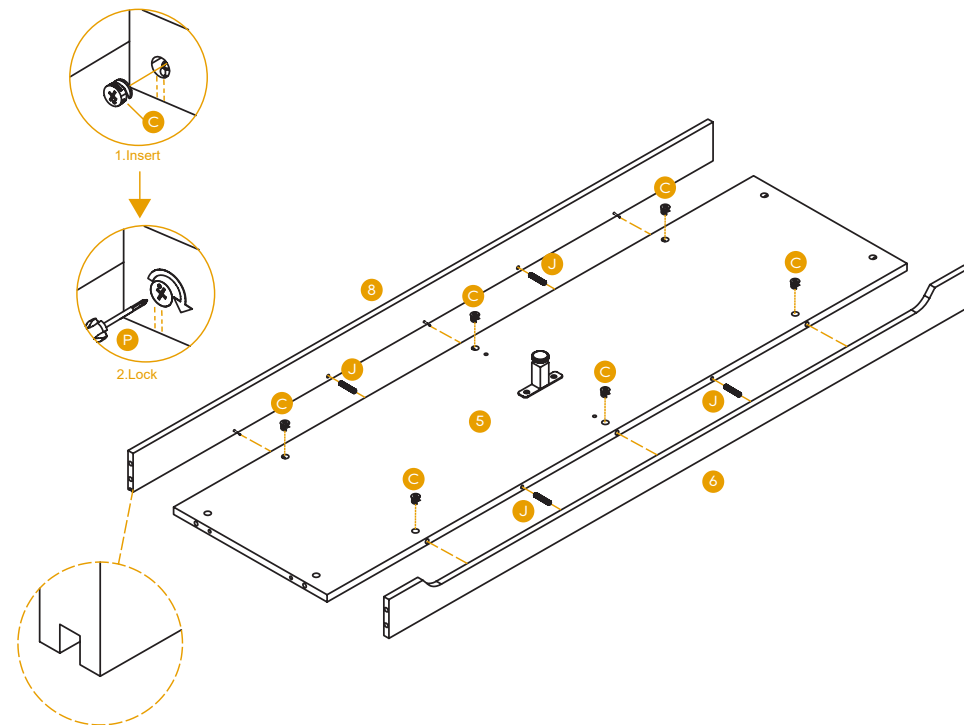
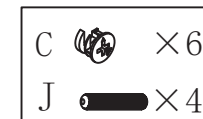


STEP 4 Place ㉑ on top of ⑤ and secure it using Bolt (E).



ASSEMBLY INSTRUCTIONS

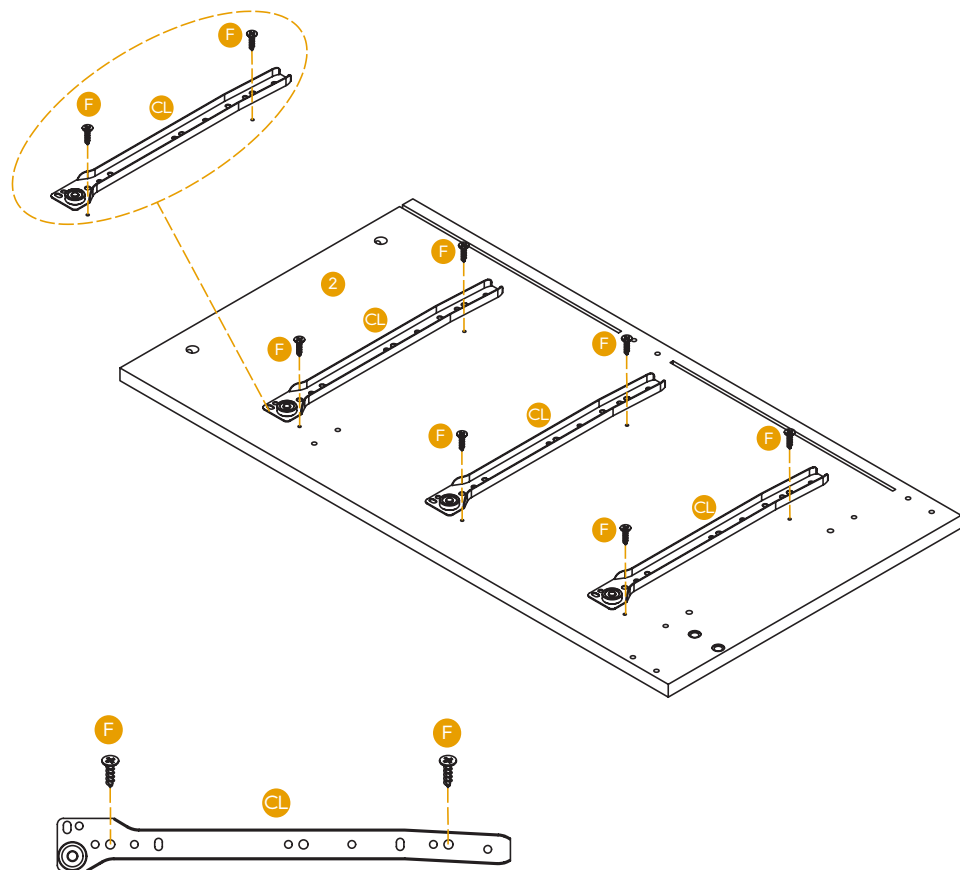
STEP 5 Place ⑧ and ⑥ on either side of ⑤, place Wooden Dowel (J) in the hole as shown in the diagram, then insert Eccentric Wheel (C) into the corresponding hole of ⑤, and lock it clockwise using Screwdriver (P).



ASSEMBLY INSTRUCTIONS

- STEP 6** Place the Cabinet Left Runner (CL) on ②, with the side containing the pulley positioned at the end of the board without a groove, and secure each one using two Bolt (F) fasteners.

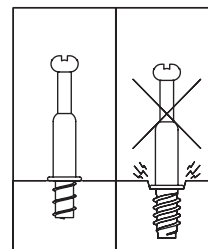
F  × 6



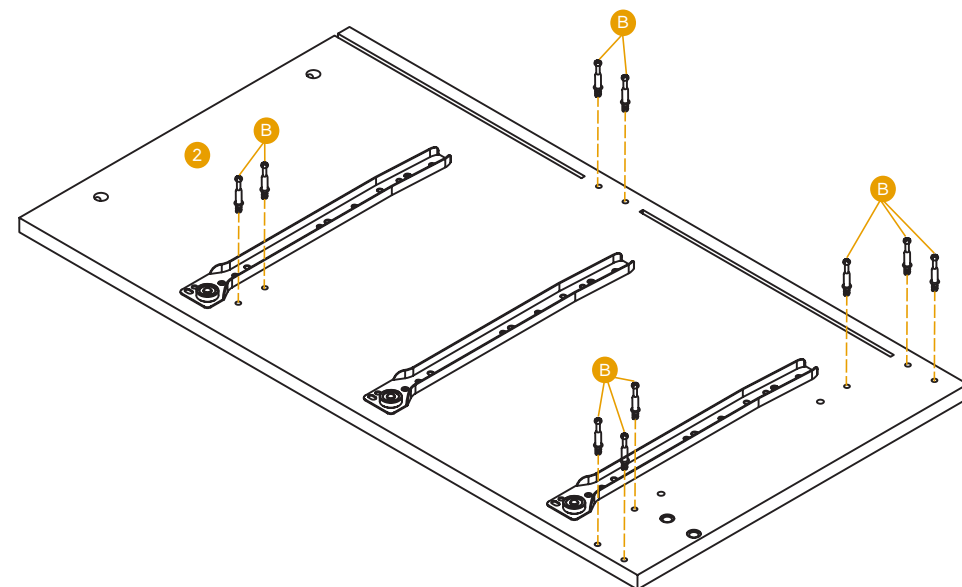
ASSEMBLY INSTRUCTIONS

- STEP 7** Screw Hanging Rod (B) into the indicated position on part ②.

Note: The screw should be flush with the surface of the plate; do not overtighten.

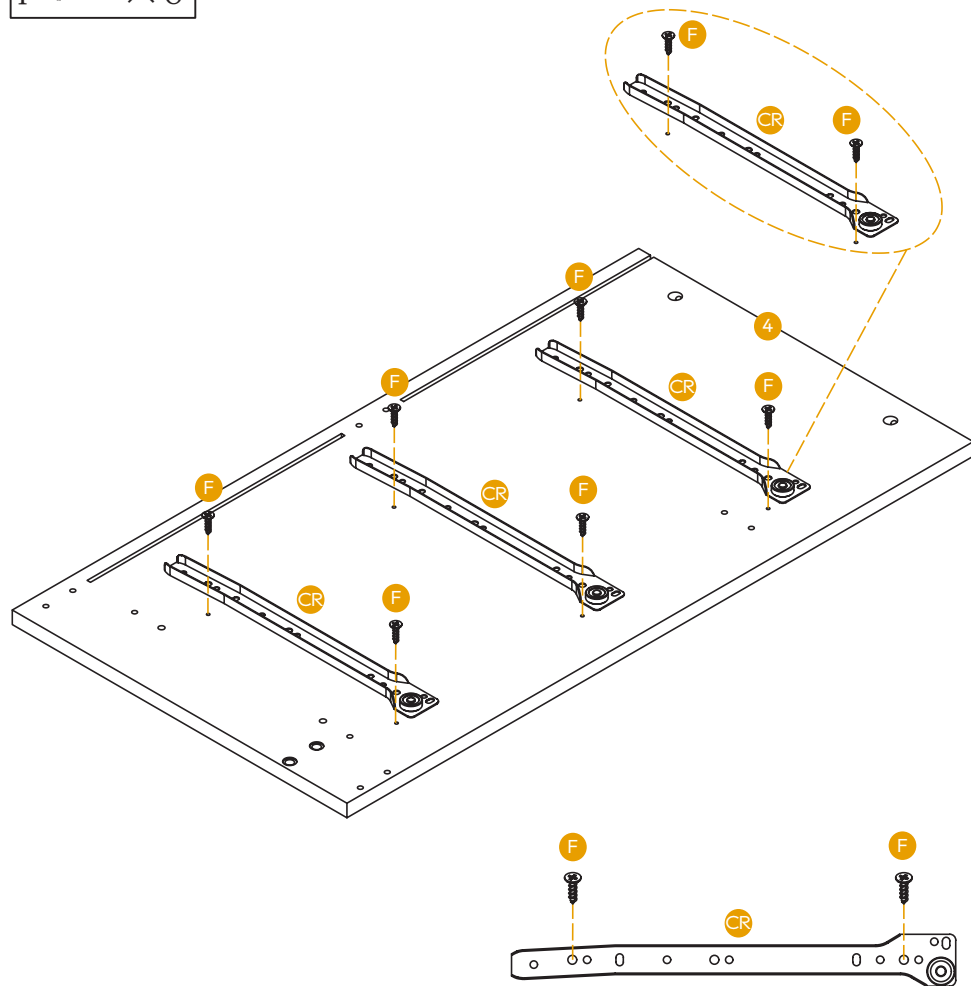


B  × 10



ASSEMBLY INSTRUCTIONS

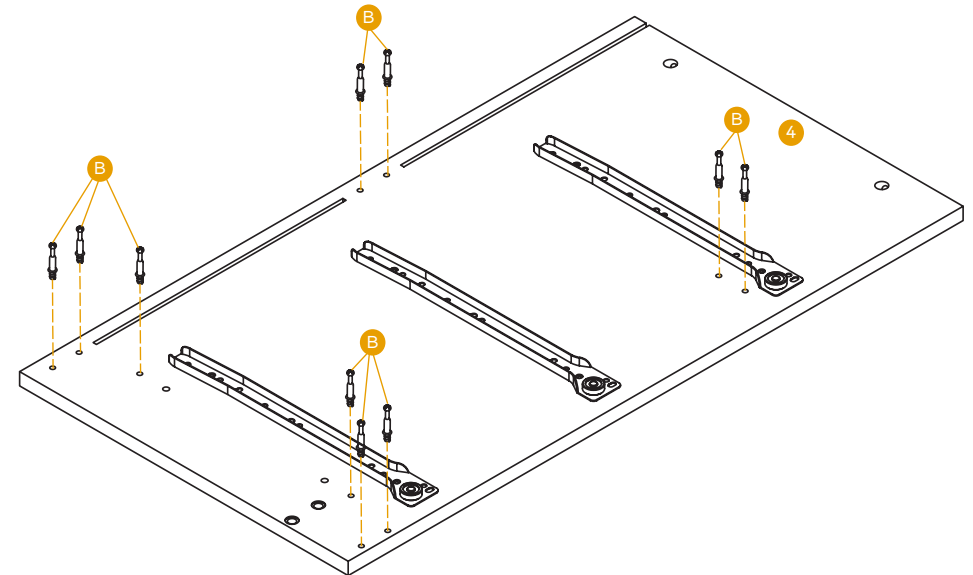
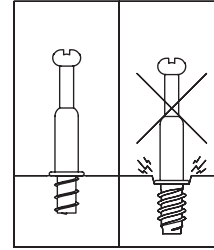
STEP 8 Place the Cabinet Right Runner (CR) on ④, with the side containing the pulley positioned at the end of the board without a groove, and secure each one using two Bolt (F) fasteners.



ASSEMBLY INSTRUCTIONS

STEP 9 Screw Hanging Rod (B) into the indicated position on ④.

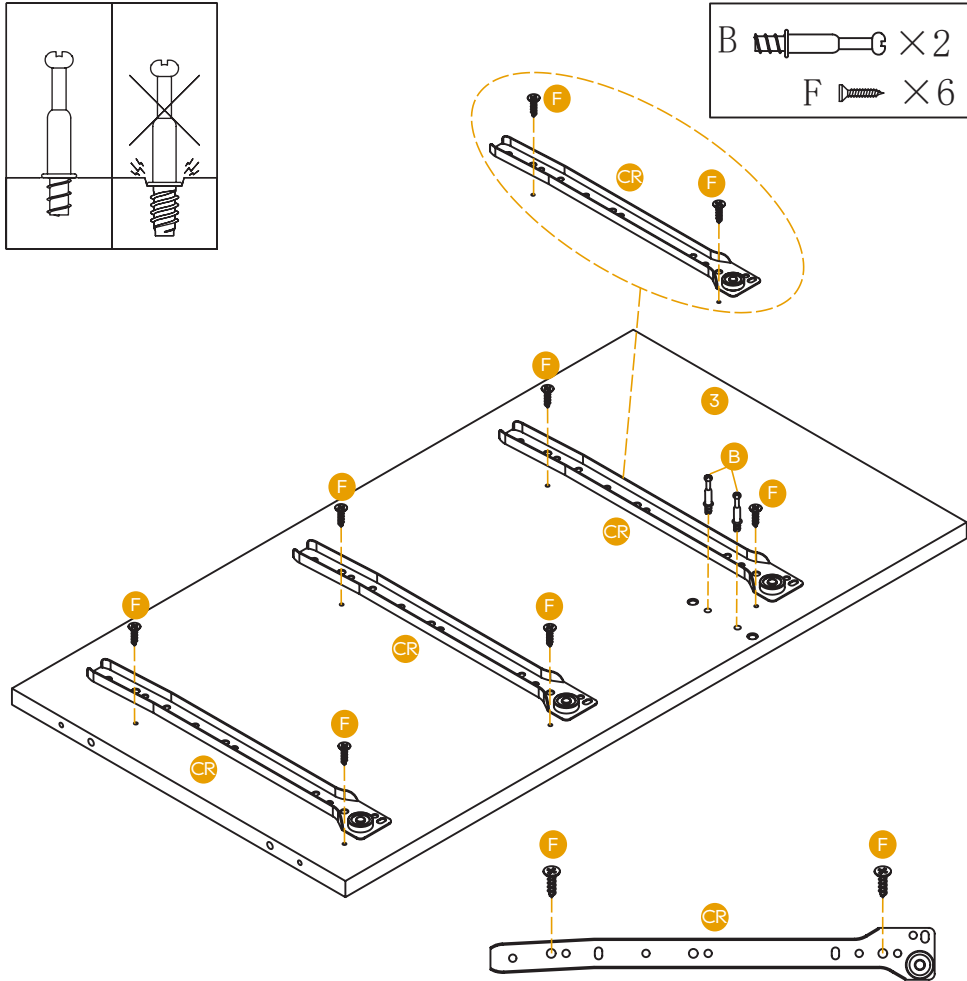
Note: The screw should be flush with the surface of the plate; do not overtighten.



ASSEMBLY INSTRUCTIONS

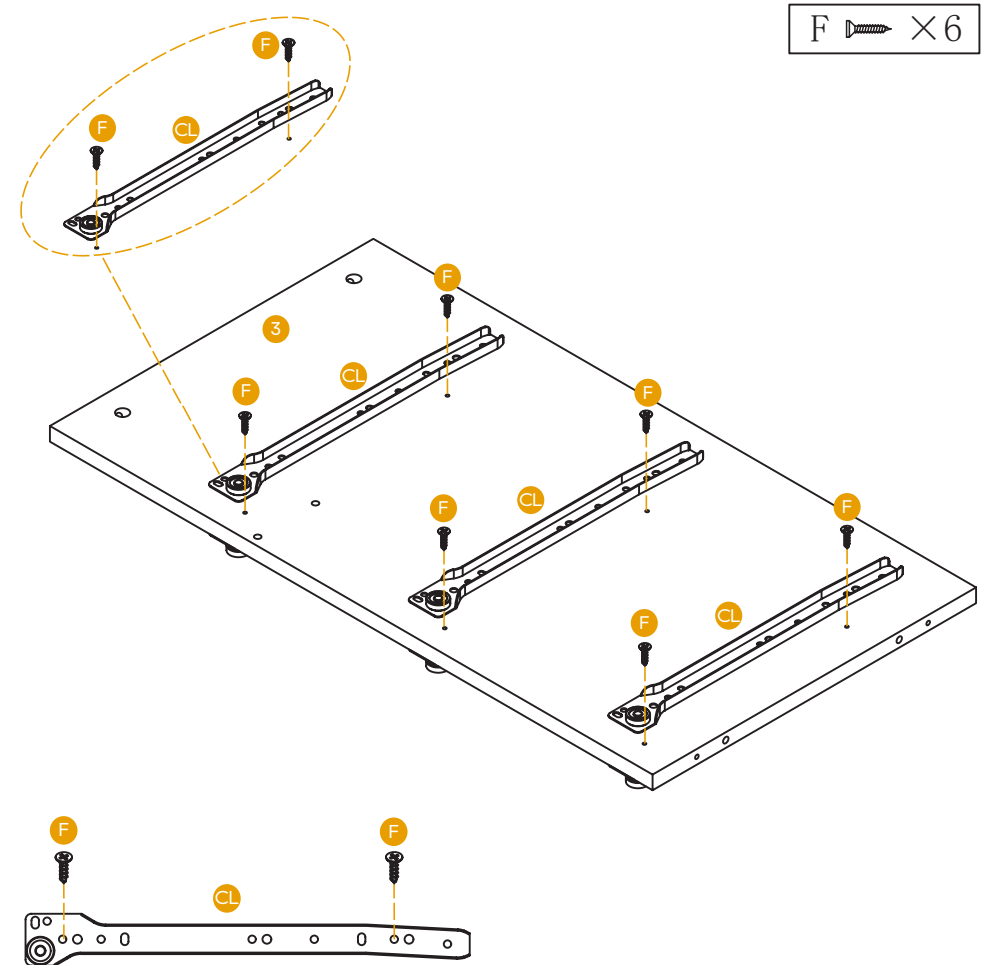
STEP 10 Place the Cabinet Right Runner (CR) on ③, use Bolt (F) to secure both ends, and screw Hanging Rods (B) into the indicated position on part ③.

Note: The screw should be flush with the surface of the plate; do not overtighten.



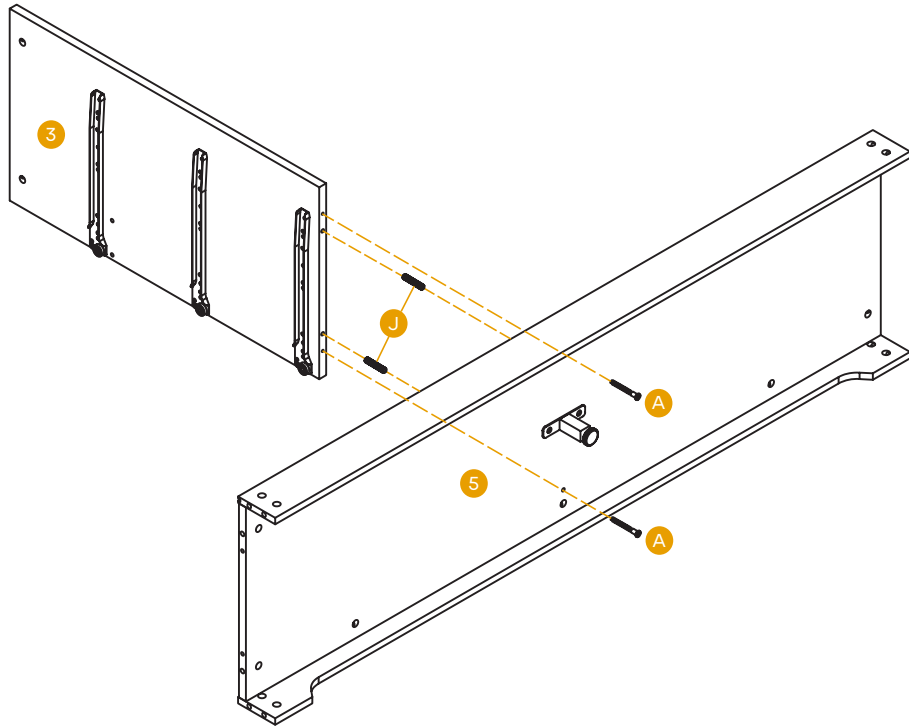
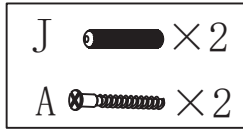
ASSEMBLY INSTRUCTIONS

STEP 11 Three Cabinet Left Runners (CL) will be placed on the opposite side of ③, with the pulley side aligned with the pulley on the other side of the wooden board. Each is secured using two Bolts (F).



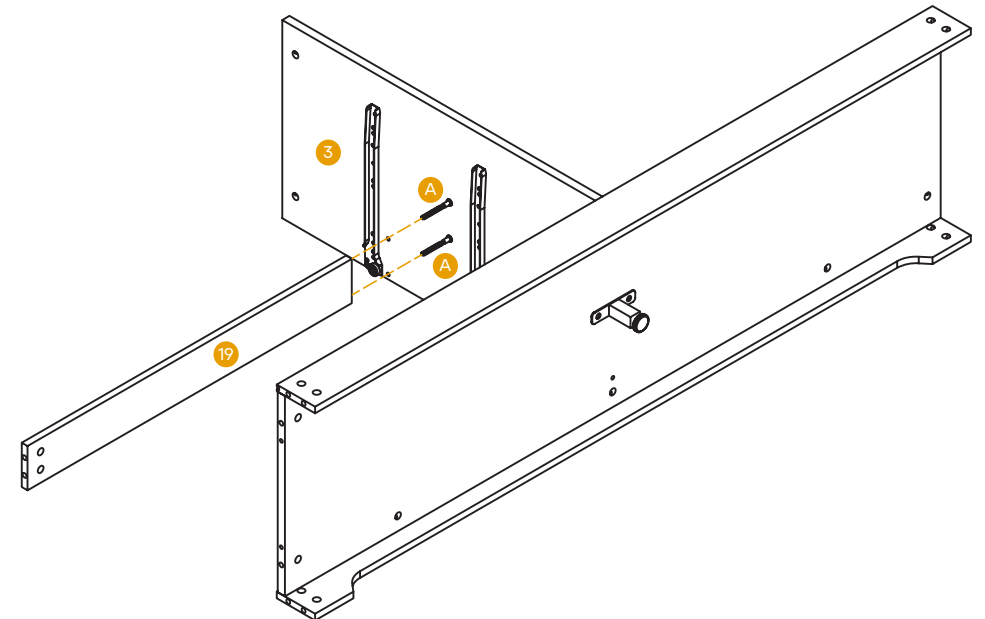
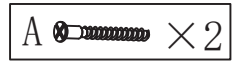
ASSEMBLY INSTRUCTIONS

- STEP 12** Connect the installed vertical piece ③ to piece ⑤ as shown in the diagram. Place piece Wooden Dowel (J) at the joint between the two wooden boards, and then use fastener Bolts (A) to secure pieces ⑤ and ③ at the corresponding holes in piece ⑤.



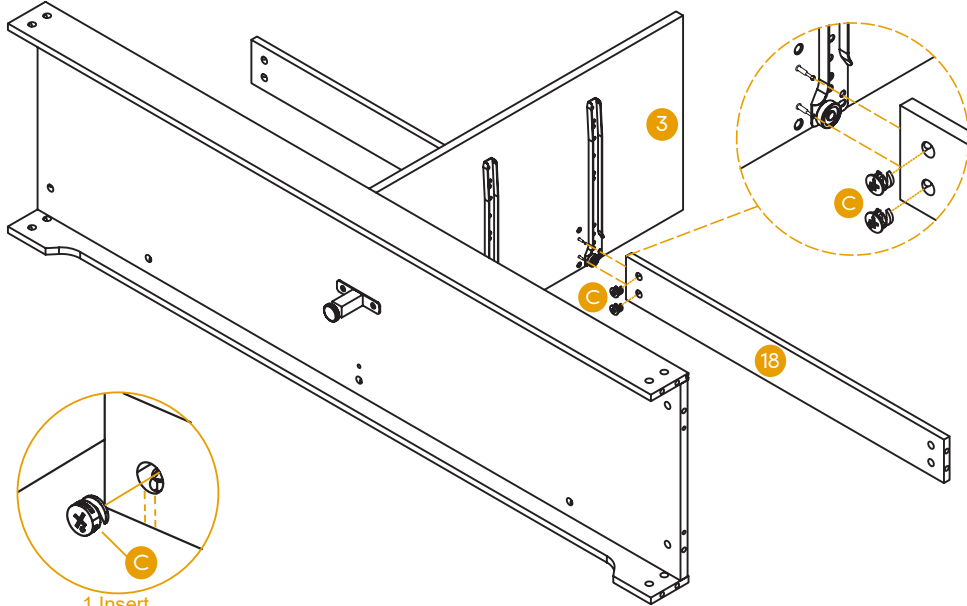
ASSEMBLY INSTRUCTIONS

- STEP 13** Connect ⑱ and ③ using connector Bolts (A) for fixation, as shown in the figure.



ASSEMBLY INSTRUCTIONS

STEP 14 Insert part ⑱ into the protrusion on the other side of part ③, then insert part Eccentric Wheel (C) into the indicated position on part ⑱, and lock it in place using part Screwdriver (P) by rotating it clockwise.

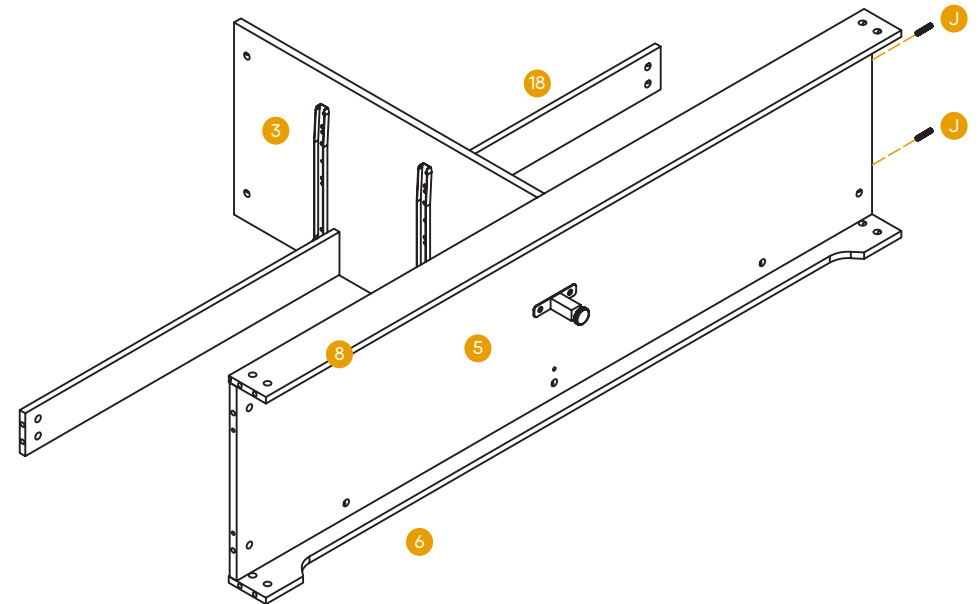


1.Insert

2.Lock

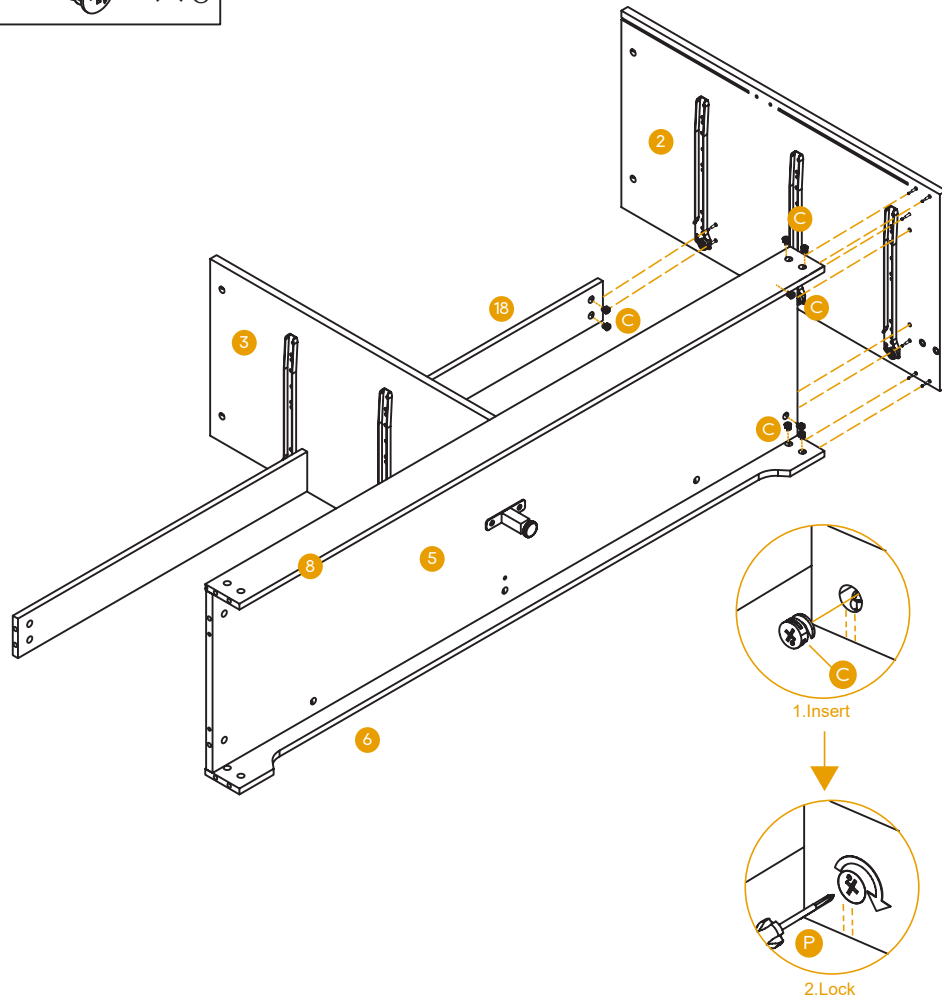
ASSEMBLY INSTRUCTIONS

STEP 15 Place Wooden Dowel (J) at the end of the diagram labeled ⑤.



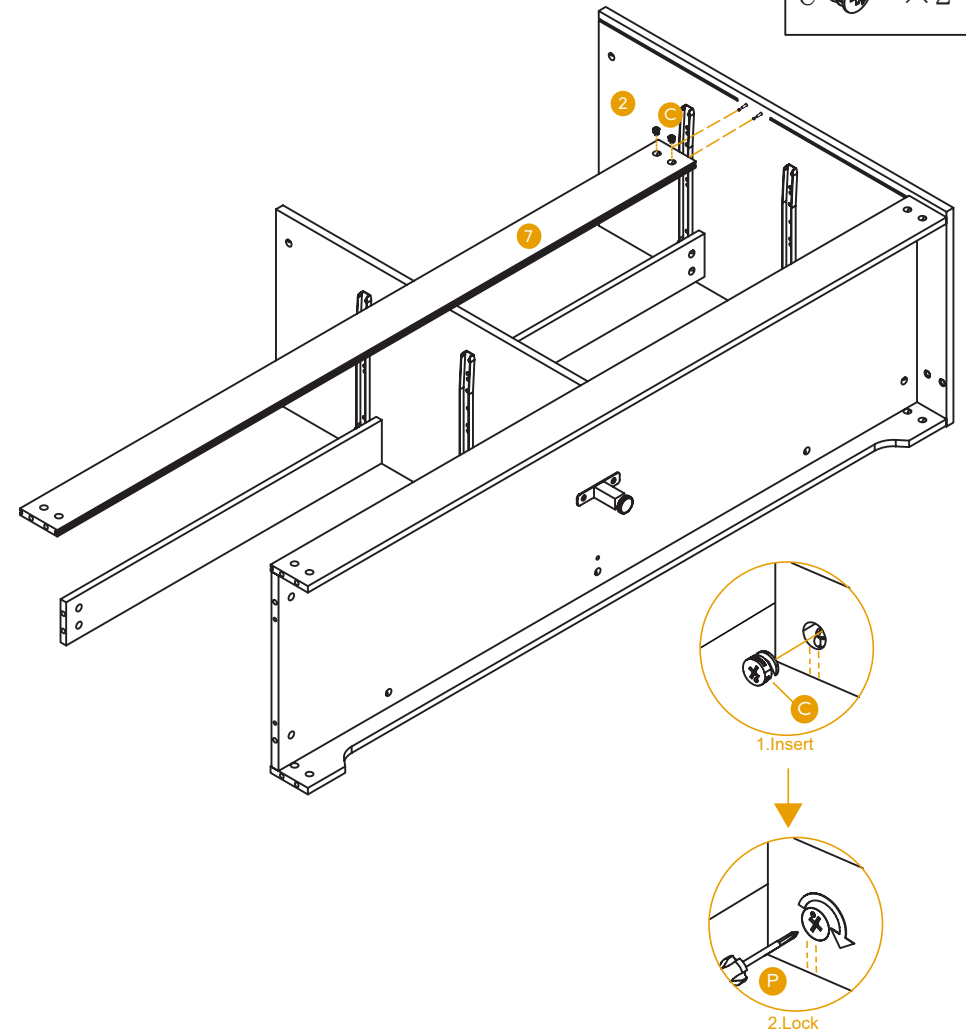
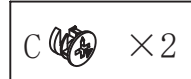
ASSEMBLY INSTRUCTIONS

STEP 16 Insert the eccentric lock (C) into the side holes of 18 and 5 as shown in the diagram, then lock it clockwise using Screwdriver (P).



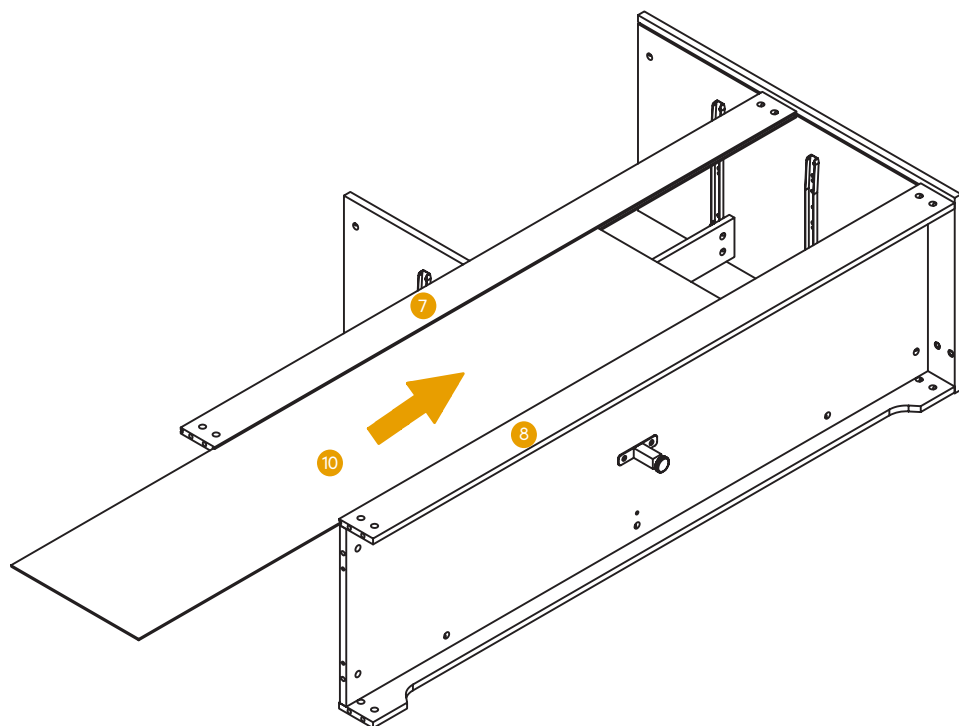
ASSEMBLY INSTRUCTIONS

STEP 17 Insert 7 into the protrusion on one side of 2, then insert Eccentric Wheel (C) into the indicated position on 7, and lock it clockwise using Screwdriver (P).



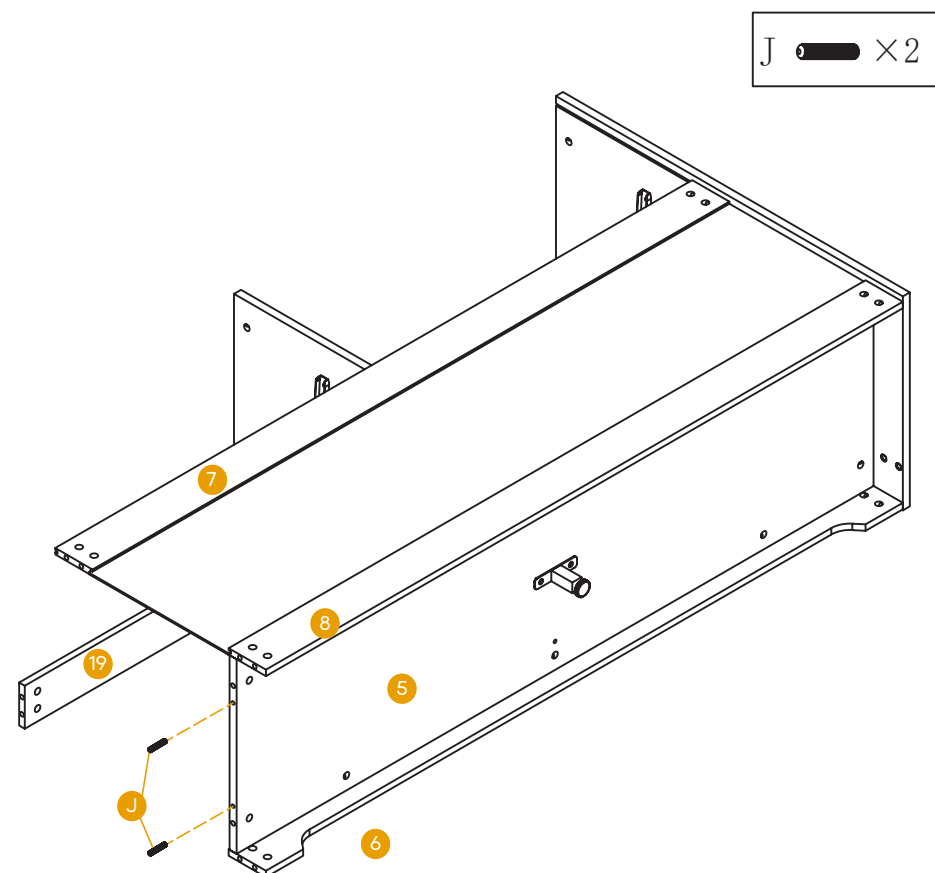
ASSEMBLY INSTRUCTIONS

STEP 18 Insert the back panel ⑩ into the slot between ⑦ and ⑧.



ASSEMBLY INSTRUCTIONS

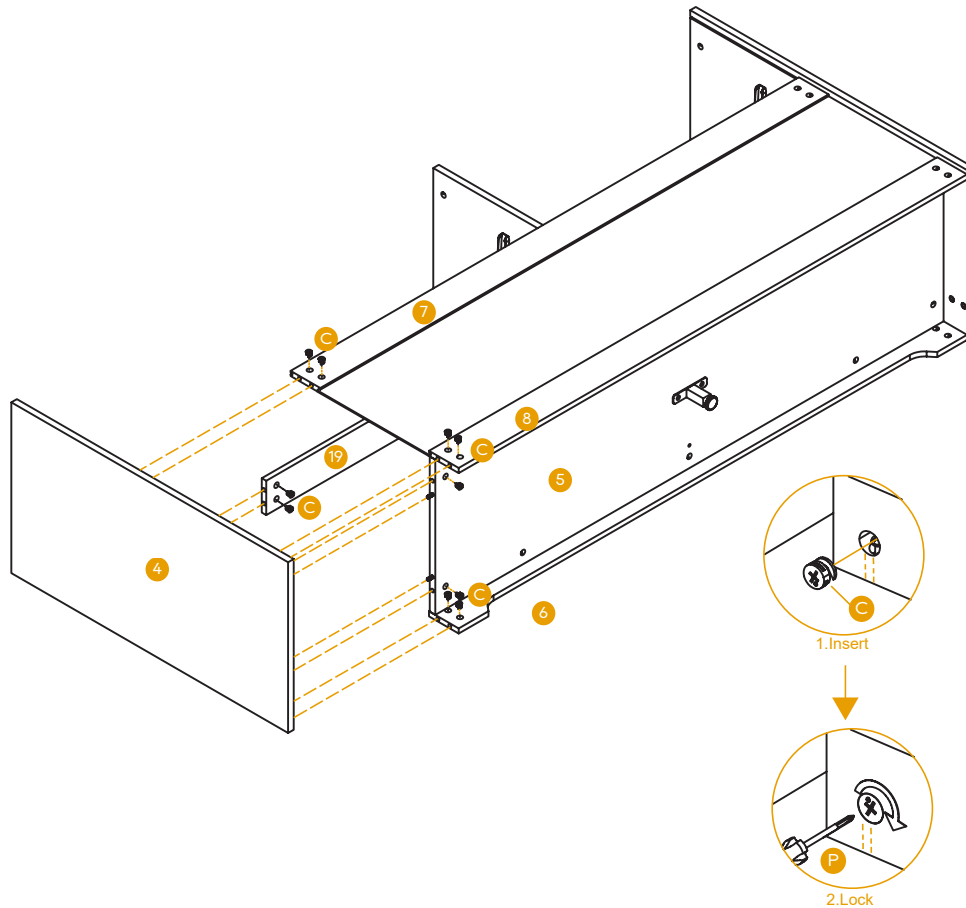
STEP 19 Place Wooden Dowel (J) at the other end of the diagram labeled ⑤.



ASSEMBLY INSTRUCTIONS

- STEP 20** Insert part ④ in the position shown in the diagram, insert Eccentric Wheel (C) into the corresponding hole in the wooden board as shown in the diagram, and use part Screwdriver (P) to lock it in a clockwise direction.

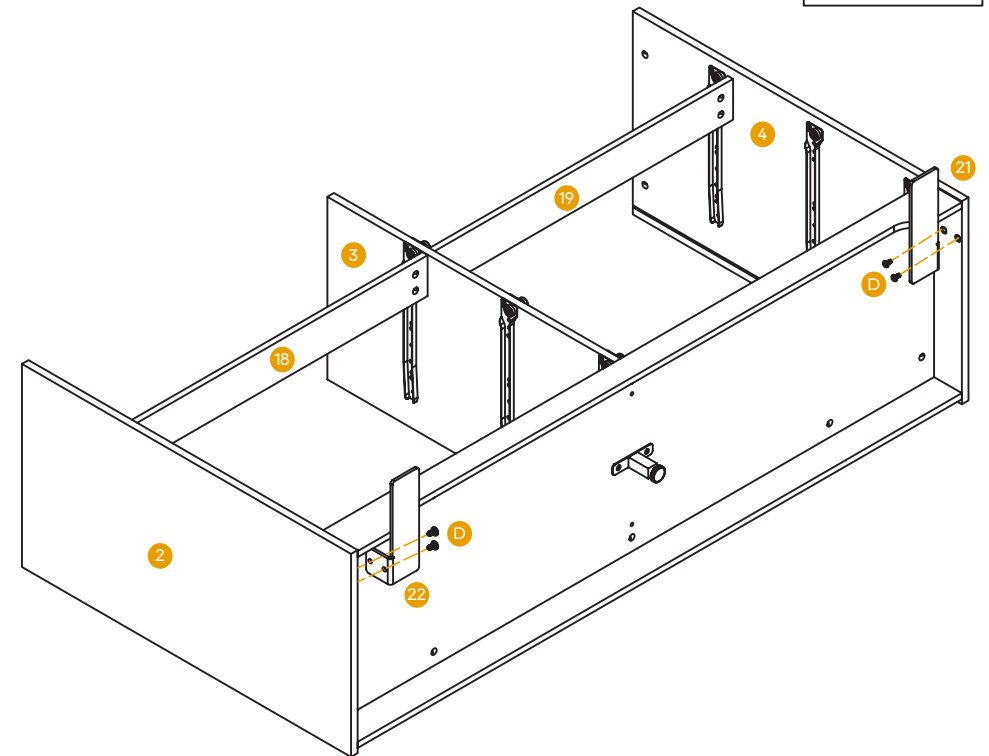
C  × 10



ASSEMBLY INSTRUCTIONS

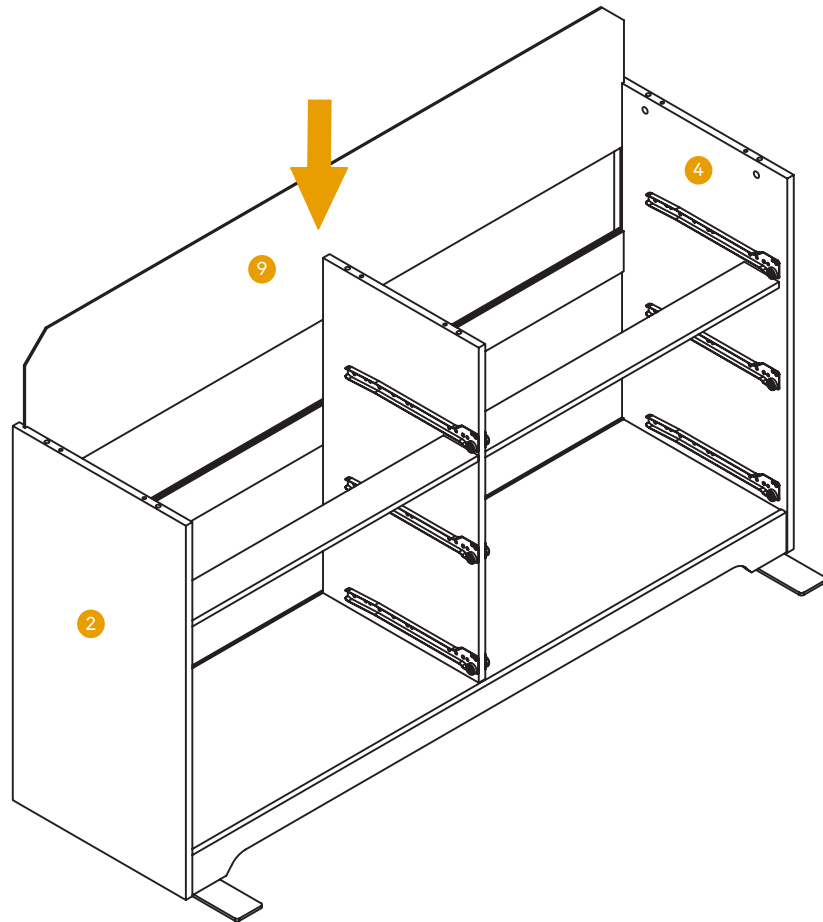
- STEP 21** Secure parts ⑳ and ㉑ in the positions shown in the diagram, using Bolts (D) for fastening.

D  × 4



ASSEMBLY INSTRUCTIONS

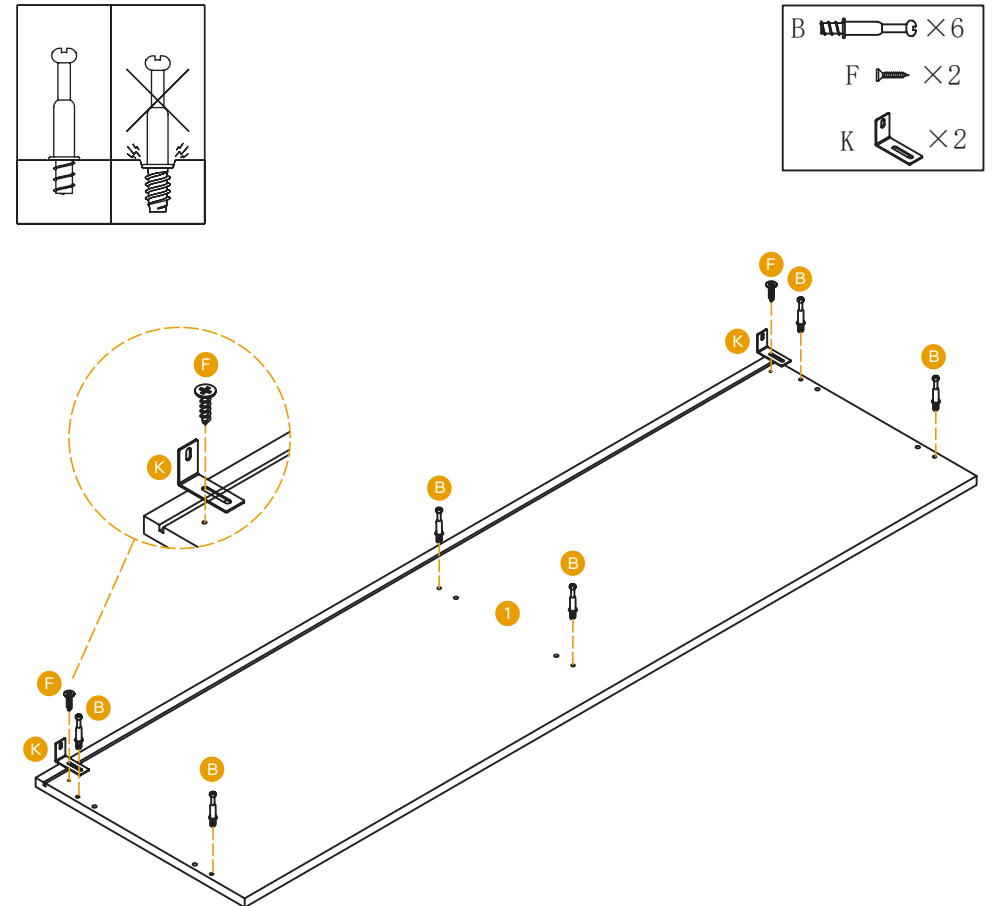
STEP 22 Insert ⑨ into the slot between ② and ④.



ASSEMBLY INSTRUCTIONS

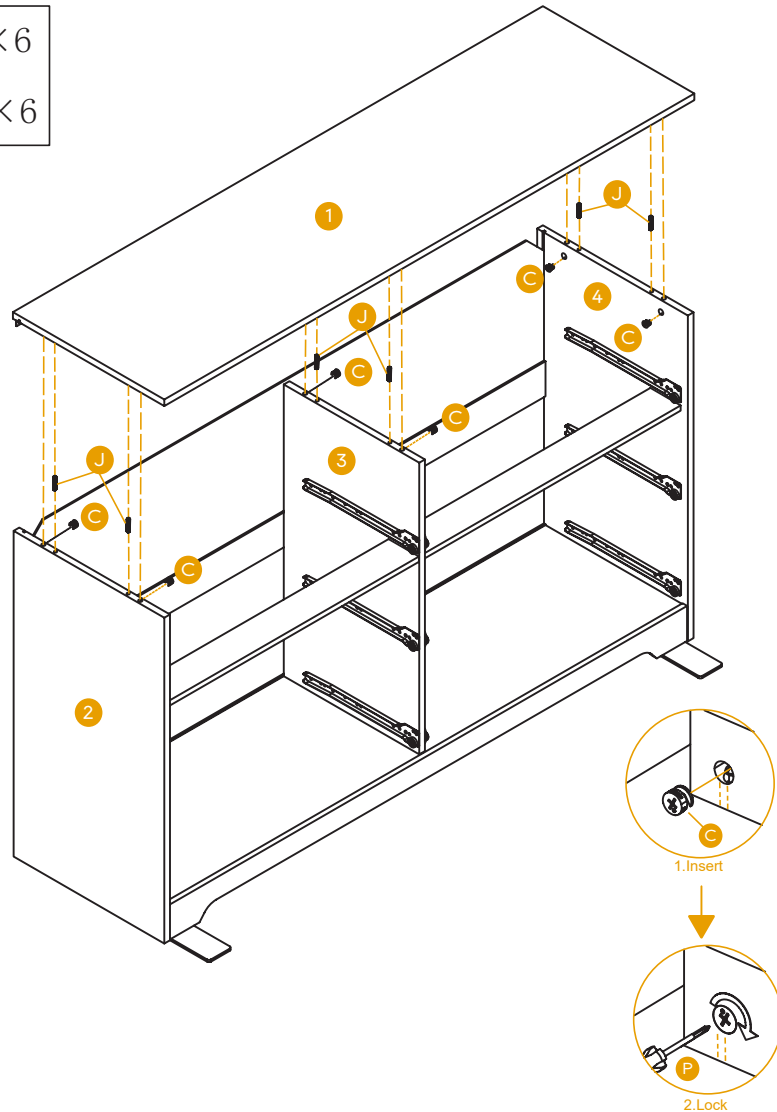
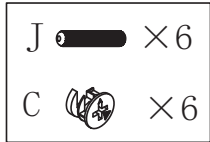
STEP 23 Insert Hanging Rod (B) into the corresponding position of ① according to the hole pattern shown in the diagram. Place one Anti-tipping Iron Sheet (K) at each end of ① and secure them with Bolt (F).

Note: The screw should be flush with the surface of the plate; do not overtighten.



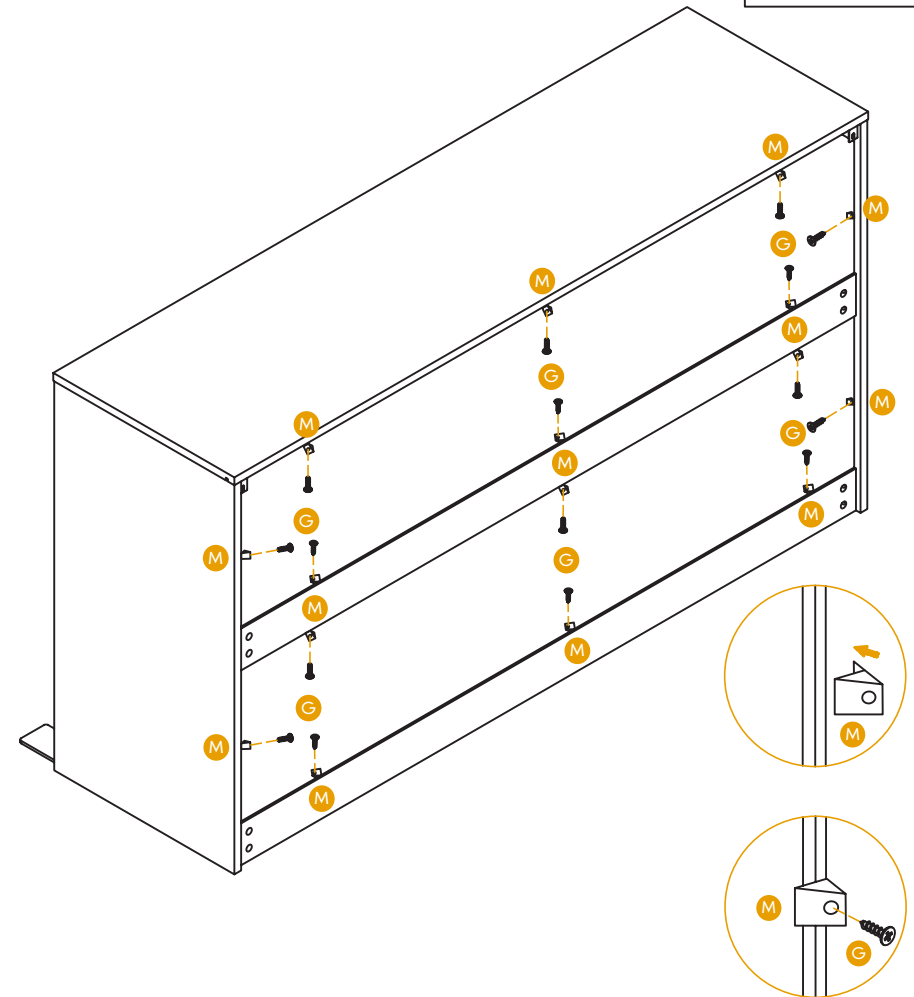
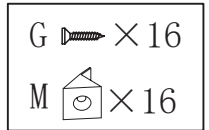
ASSEMBLY INSTRUCTIONS

STEP 24 Place ① on top of the completed cabinet. Insert Wooden Dowel (J) into the corresponding holes as shown in the diagram, and insert Eccentric Wheel (C) into the holes on the side panels of parts ②, ③ and ④. Use Screwdriver (P) to lock them in place by turning clockwise.



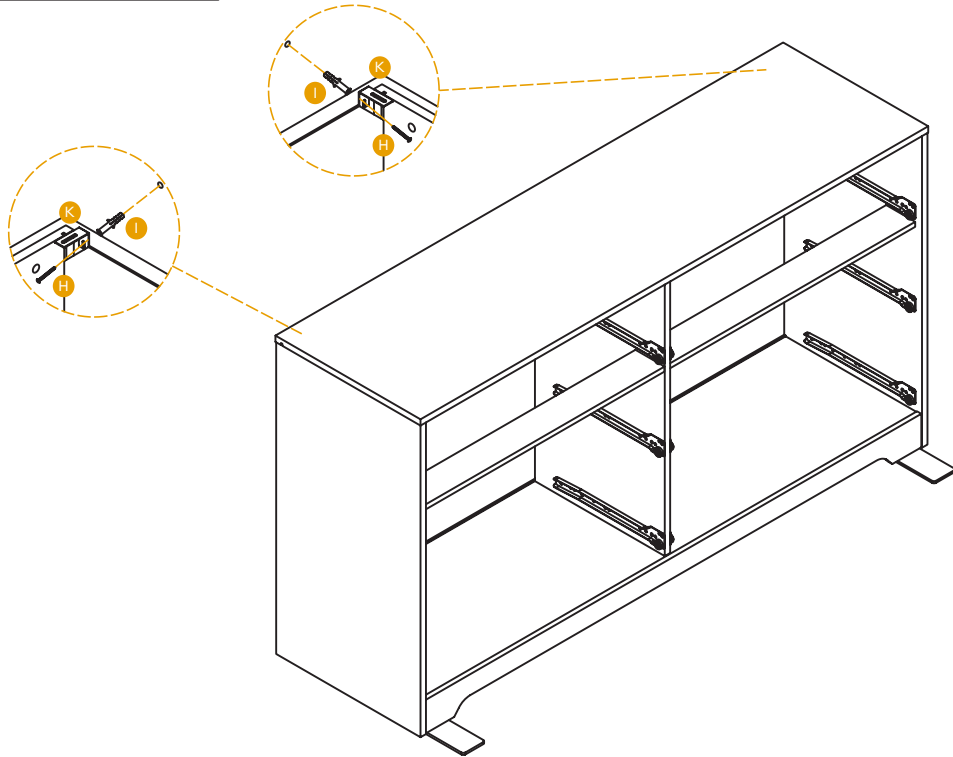
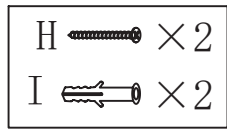
ASSEMBLY INSTRUCTIONS

STEP 25 Insert the Backplate Buckle (M) cards into the positions shown in the diagram, and then secure each Backplate Buckle (M) card with a Bolt (G) component.



ASSEMBLY INSTRUCTIONS

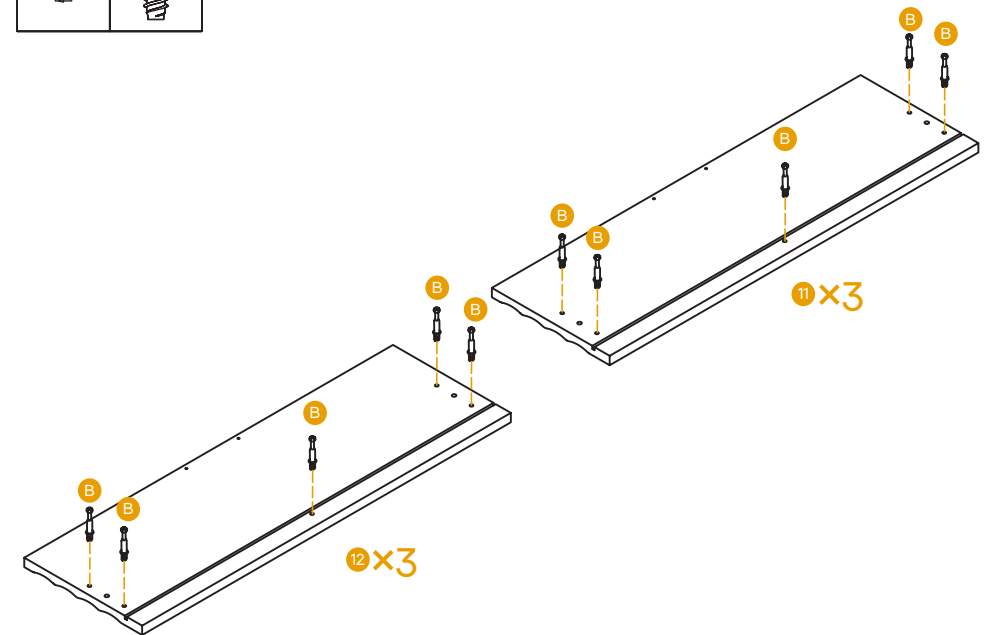
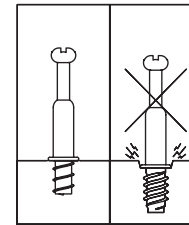
STEP 26 Place Anti-tipping Iron Sheet (K) in the position shown in the diagram, then use Bolt (H) and Expansion Tank (I) to secure it.



ASSEMBLY INSTRUCTIONS

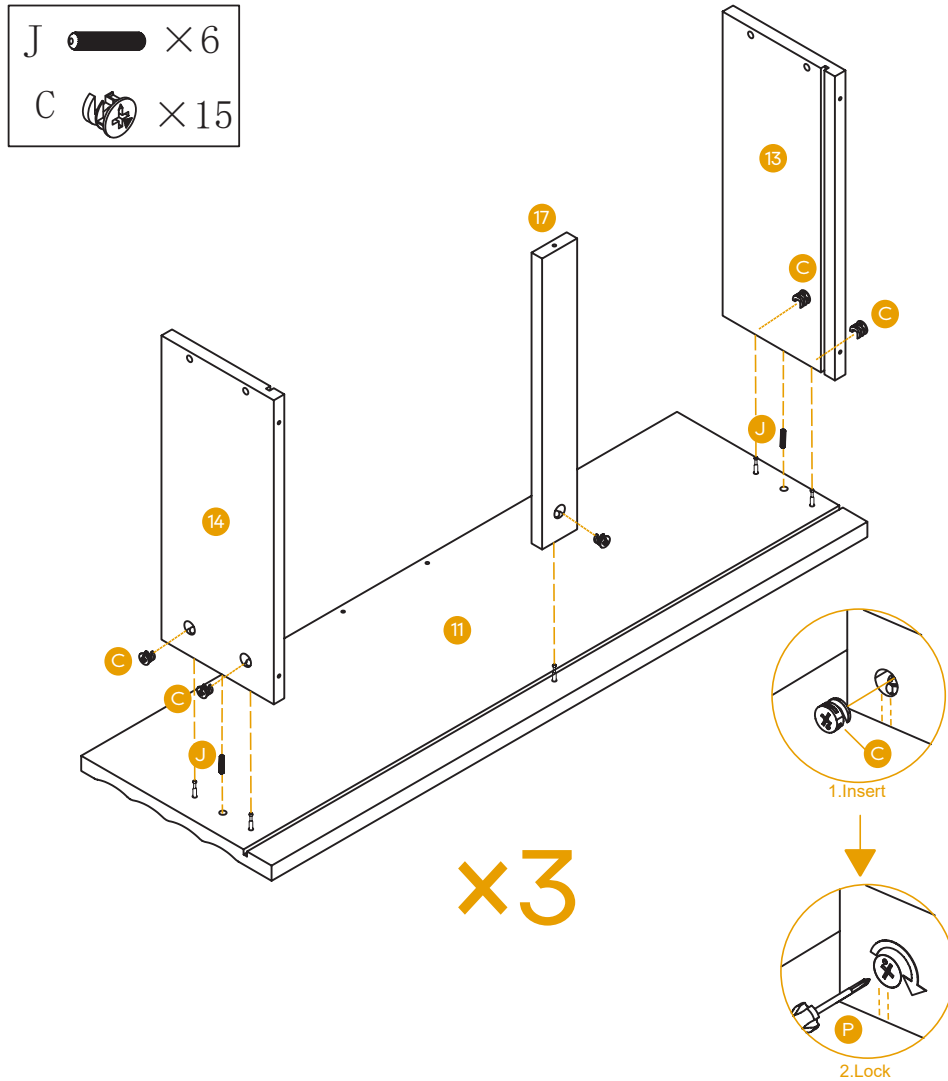
STEP 27 Insert Hanging Rod (B) into the corresponding positions of ⑪ and ⑫ according to the hole pattern shown in the diagram. Do this for three sets.

Note: The screw should be flush with the surface of the plate; do not overtighten.



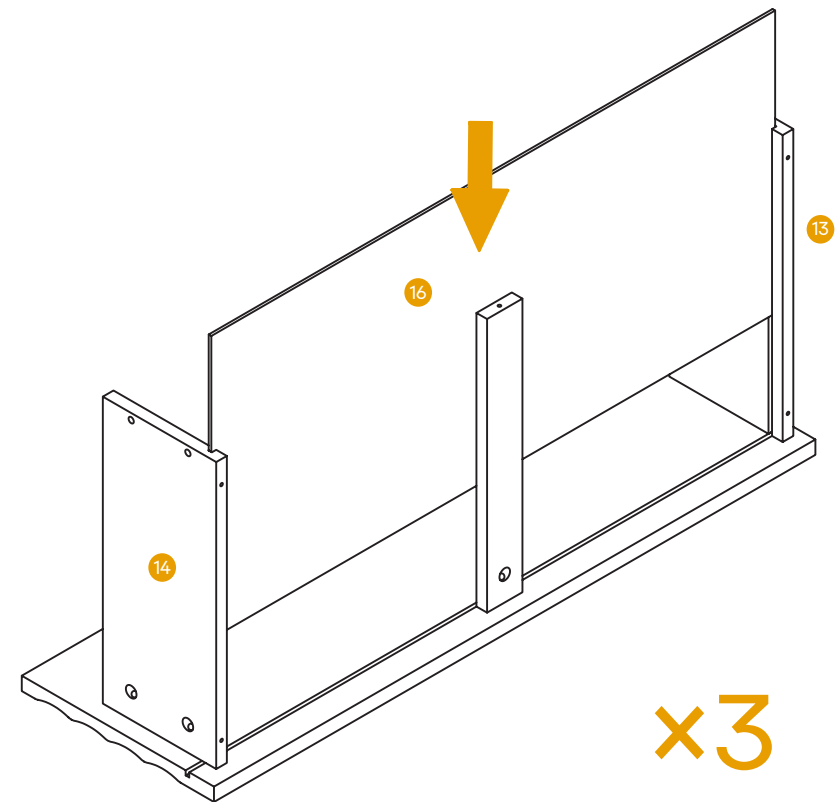
ASSEMBLY INSTRUCTIONS

- STEP 28** Insert ⑬, ⑭, and ⑰ into the corresponding protruding holes of ⑪. Place Wooden Dowel (J) in the intermediate holes between ⑭ and ⑪, and ⑬ and ⑪. Then insert Eccentric Wheel (C) into ⑬, ⑭, and ⑰, and lock them in place clockwise using Screwdriver (P), as shown in the figure. Do this for three sets.



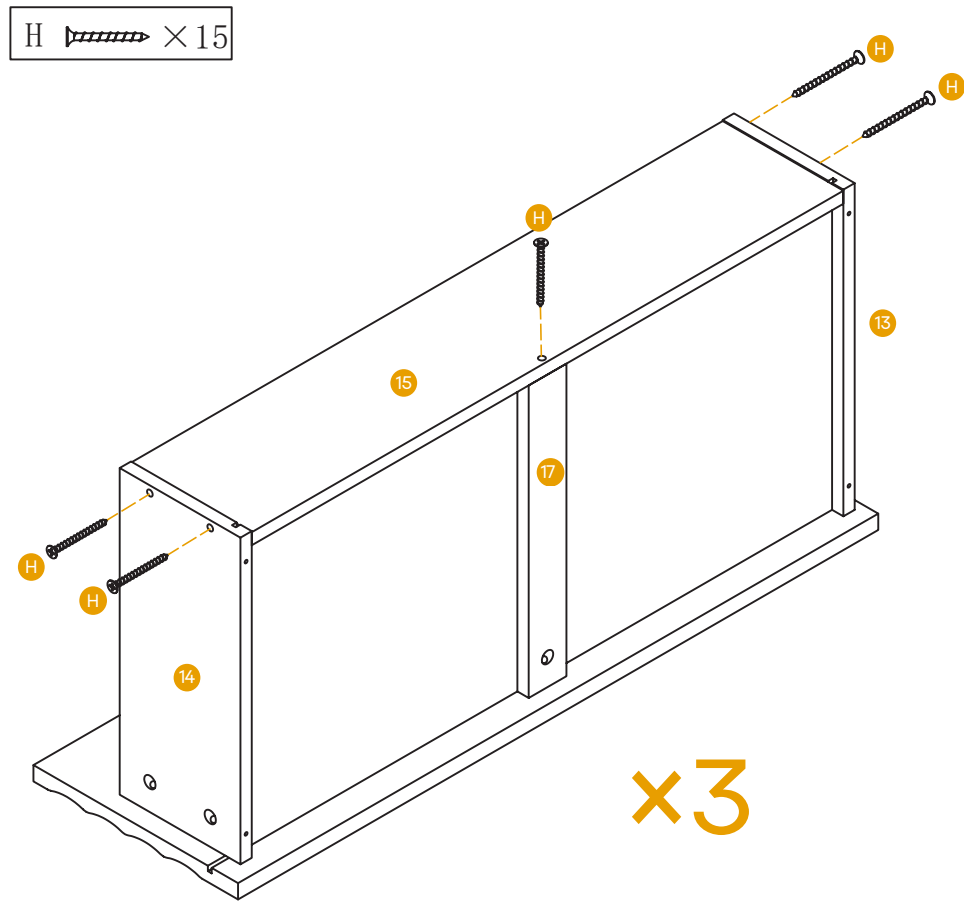
ASSEMBLY INSTRUCTIONS

- STEP 29** Insert Drawer Bottom Panel ⑯ into the slot between Drawer Side Panel ⑬ and Drawer Back Panel ⑭. Do this for three sets.



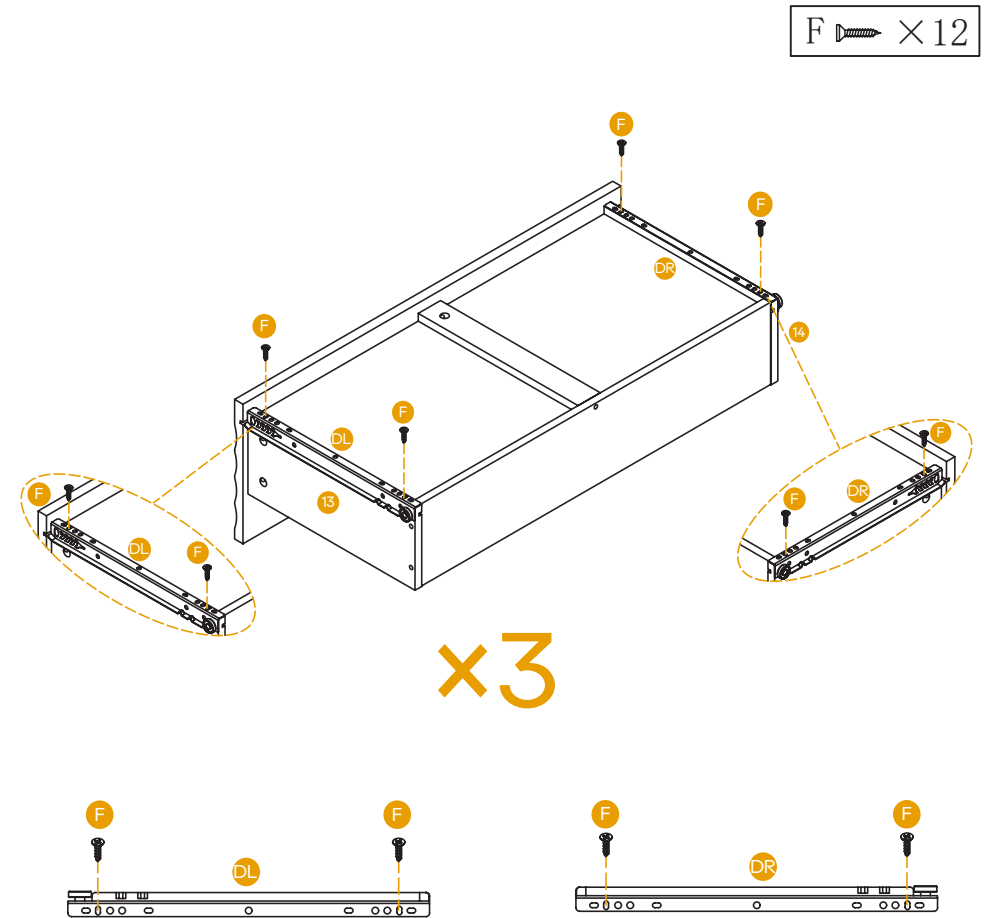
ASSEMBLY INSTRUCTIONS

STEP 30 Place piece ⑮ on top of ⑬, ⑭, and ⑰, and secure them using Bolts (H), as shown in the diagram. Do this for three sets.



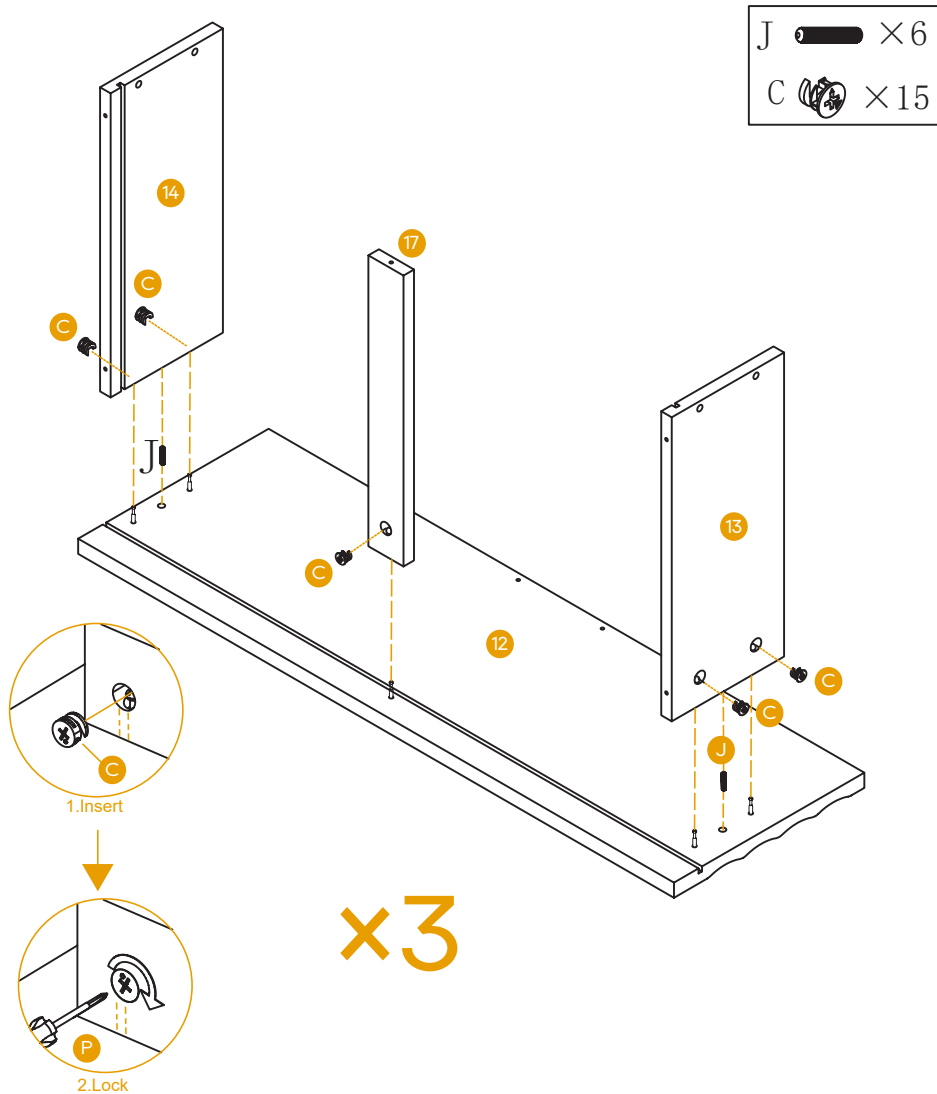
ASSEMBLY INSTRUCTIONS

STEP 31 Place Drawer Left Runner (DL) and Drawer Right Runner (DR) at the positions indicated in the diagram for ⑬ and ⑭, respectively, and then use Bolts (F) to secure Drawer Left Runner (DL) and Drawer Right Runner (DR) at both ends. Do this for three sets.



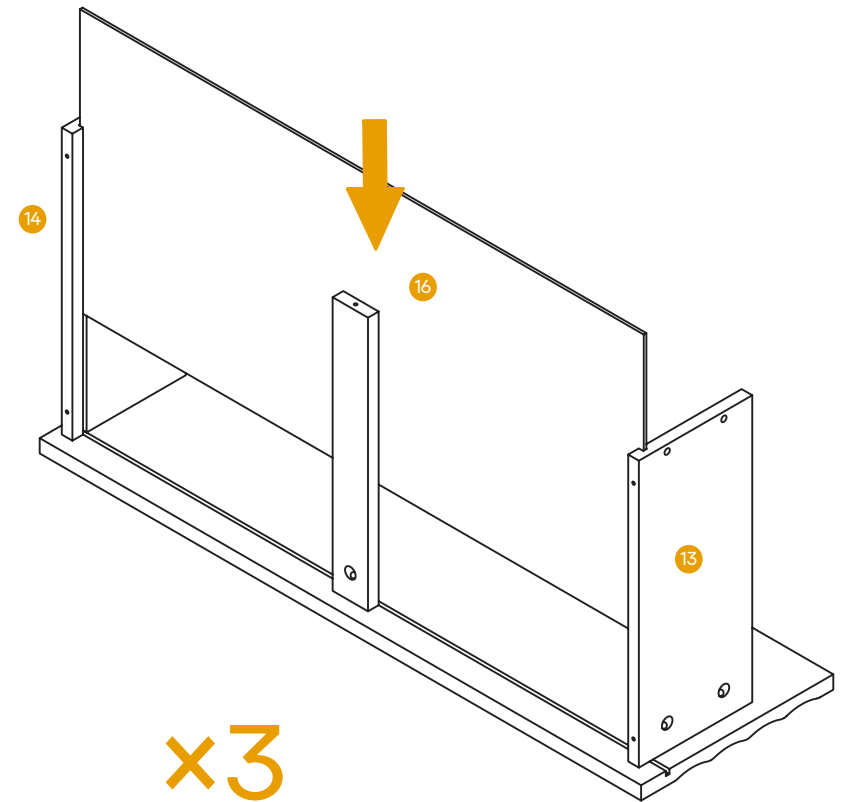
ASSEMBLY INSTRUCTIONS

- STEP 32** Insert ⑬, ⑭, and ⑰ into the corresponding protruding holes of ⑫. Place Wooden Dowel (J) in the intermediate holes between ⑭ and ⑫, and ⑬ and ⑫. Then insert Eccentric Wheel (C) into parts ⑬, ⑭, and ⑰, and lock them in place by rotating Screwdriver (P) clockwise, as shown in the figure.



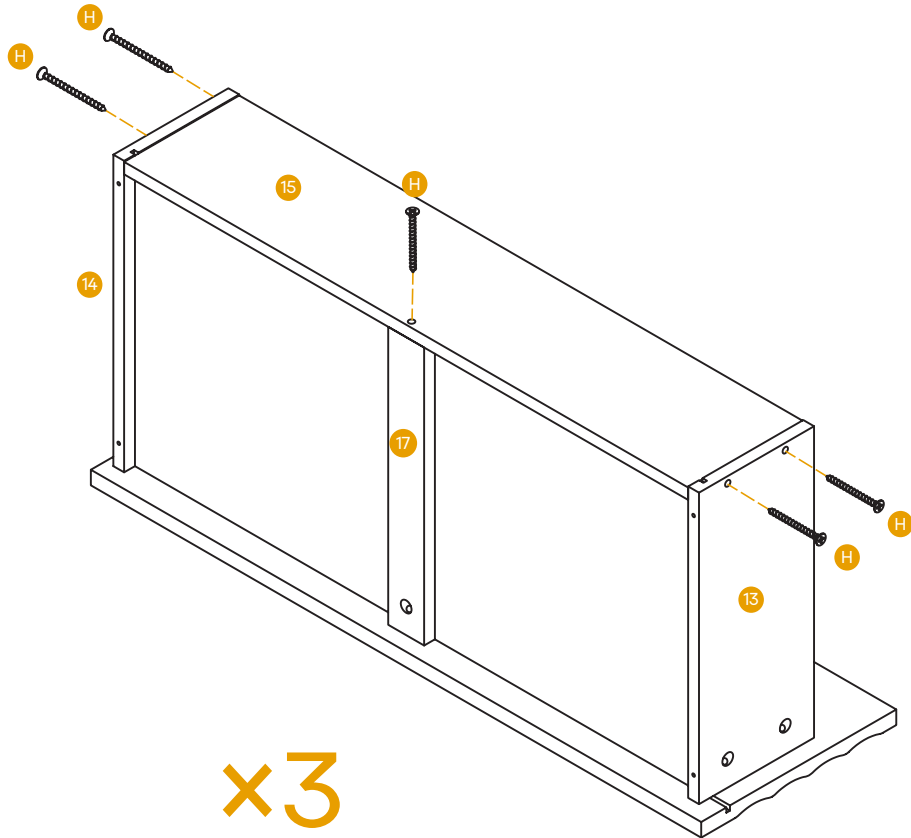
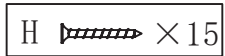
ASSEMBLY INSTRUCTIONS

- STEP 33** Insert Drawer Bottom Panel ⑯ into the slot between ⑬ and ⑭. Do this for three sets.



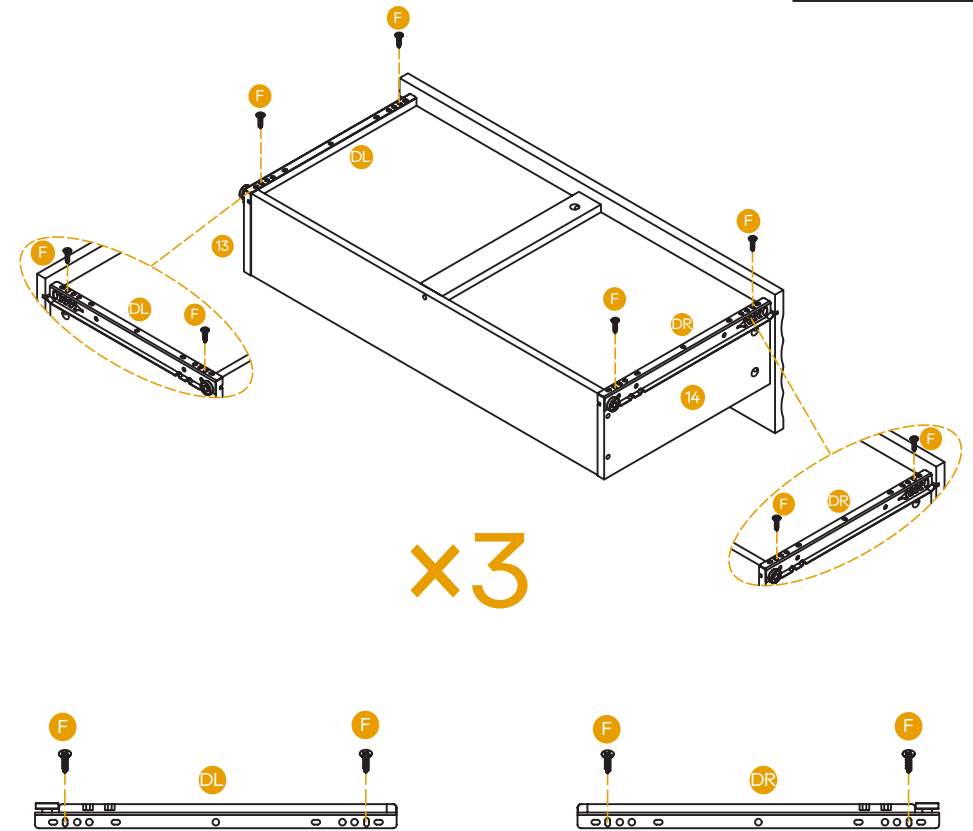
ASSEMBLY INSTRUCTIONS

STEP 34 Place ⑮ on top of ⑬, ⑭, and ⑰, and secure them using Bolts (H), as shown in the diagram. Do this for three sets.



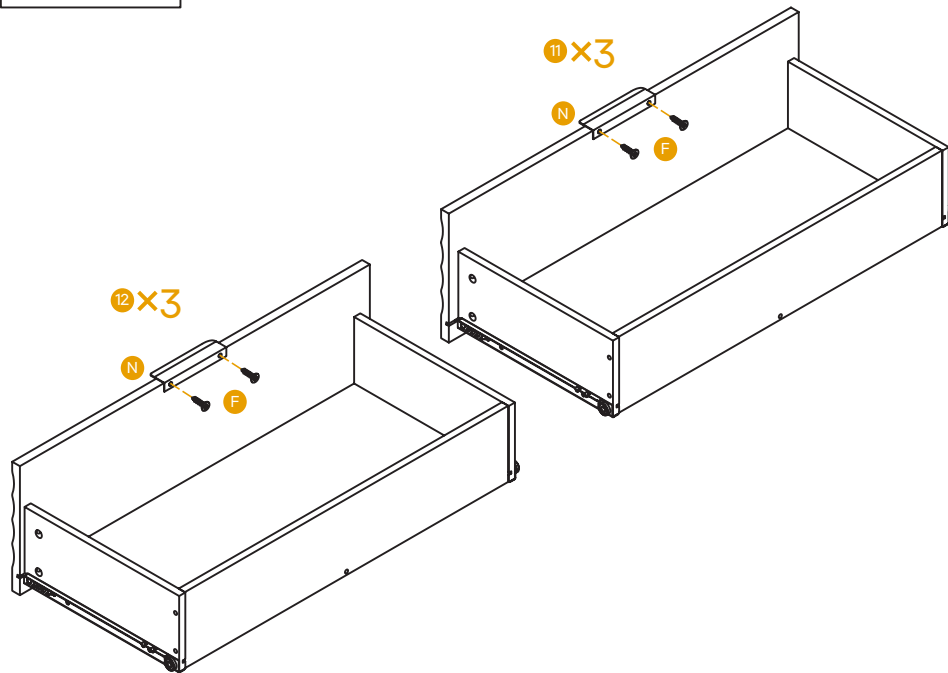
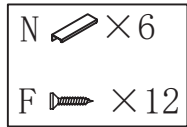
ASSEMBLY INSTRUCTIONS

STEP 35 Place Drawer Left Runner (DL) and Drawer Right Runner (DR) at the positions indicated in the diagram for ⑬ and ⑭, respectively, and then use Bolts (F) to secure Drawer Left Runner (DL) and DR at both ends. Do this for three sets.



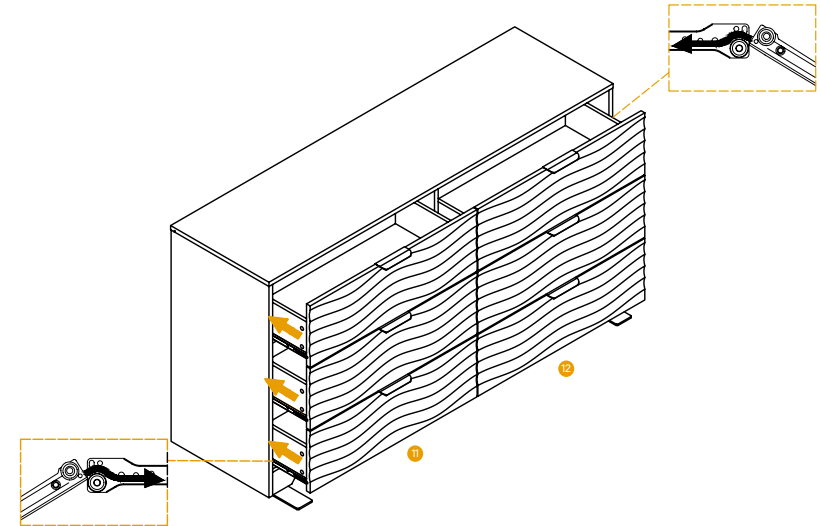
ASSEMBLY INSTRUCTIONS

STEP 36 Place Knob (N) in the positions shown in figures ⑪ and ⑫, and secure it using Bolts (F). Do this for three sets.

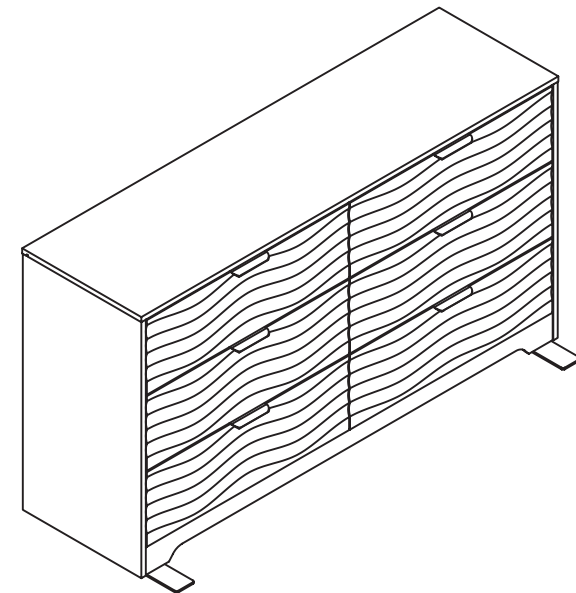


ASSEMBLY INSTRUCTIONS

STEP 37 Insert the completed ⑪ and ⑫ into the cabinet by sliding them along the guide rails. Do this for three sets.



STEP 38 Now, your product is successfully installed.



LIMITED WARRANTY

We promise to repair or replace any product that is found to be defective in material or workmanship within one year from the date of original purchase, as long as you, the original purchaser, still own it. This is your sole and exclusive remedy under this warranty, subject to the provisions outlined below.

EXCLUSIONS

This warranty does not apply to, and no other warranty applies to:

- Normal wear and tear, which is to be expected over the course of ownership.
- Misuse, abuse, or excessive use of the product.
- Modifications or attachments to the product that are not approved.
- Products that were not installed, used, or maintained in accordance with the product instructions and warnings.
- Products used for rental purposes or unauthorized retail activities.

RETURN POLICY

We offer a 30-day return policy, meaning that all products purchased through this website may be returned to us within that timeframe. You must contact us within 30 days of receiving the product(s), and they must be returned to us without any undue delays.

CONDITIONS:

- Returned products must be in the same condition as received and returned in their original packaging.
- If the product is not faulty (i.e., if you change your mind or are unhappy with the product for another reason), you are responsible for the cost of return shipping. You must ensure the package arrives safely to us, so we recommend using a courier service that offers tracking.
- If the product is faulty when received, please contact us, and we will assist you with the return, covering the shipping costs in this case.

LIMITED WARRANTY

- We reserve the right to offer partial refunds for returned products that are not in unused condition, are damaged, or have missing parts not due to our error.

HOW RETURNS WORK

To request a return, please attach a copy of your invoice as proof of purchase, along with the reason for the return.

We will provide the return address for the product as soon as possible. Once the returned product is received and inspected, we will provide a specific resolution.

If the return is approved, the refund amount will be automatically credited to your original payment method.

MAINTENANCE INSTRUCTIONS



Dust and clean up spills immediately using a clean, non-colored, lint-free cloth.



For indoor use only. Do not place the furniture outside.



Do not place hot items directly on the furniture surface without using a protective barrier.



Do not place furniture near heating or cooling vents (keep at least 3 feet away)



Do not place furniture in direct sunlight.



vimeo | ASSEMBLY VIDEO

+1(888) 868-6849
malolservice@hotmail.com