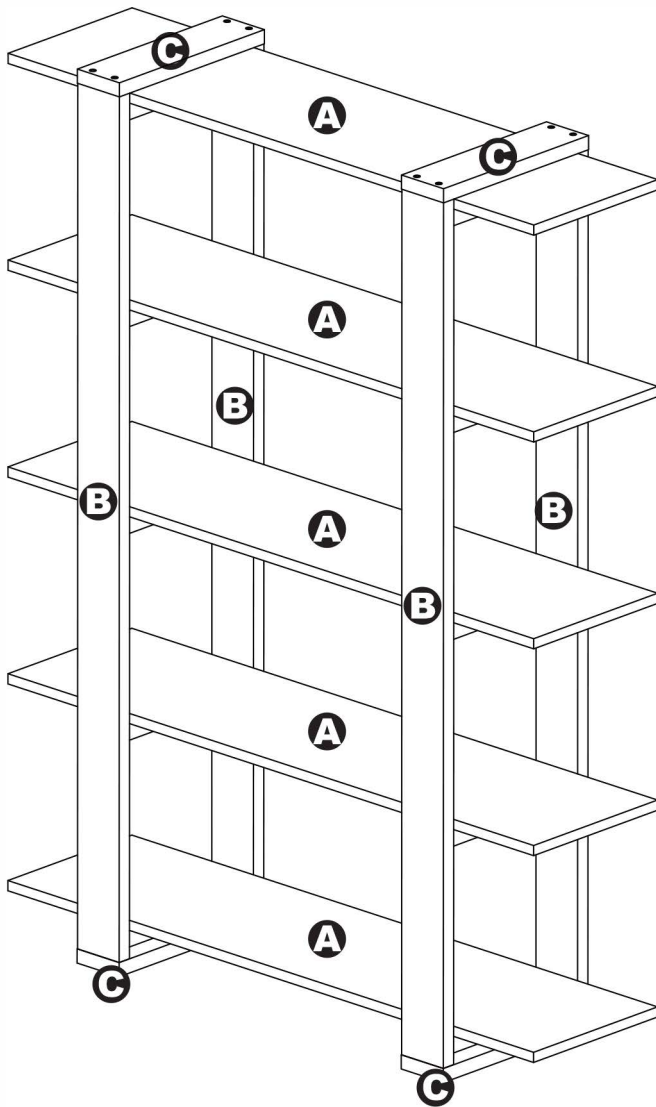


# 5-TIER DISPLAY BOOKSHELF

## ASSEMBLY INSTRUCTIONS

Please keep for future reference

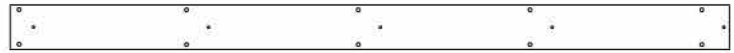
### PARTS LIST



**A** 5 PCS  
BOOKSHELF PANEL



**B** 4 PCS  
FRONT & REAR SUPPORT PANEL



**C** 4 PCS  
TOP & BOTTOM SUPPORT PANEL



**D** 10 PCS  
SIDE SUPPORT PANEL



### HARDWARE LIST

**1** 20 PCS  
CAM LOCK PIN



**2** 20 PCS  
CAM LOCK NUT



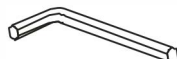
**3** 60 PCS  
WOOD DOWEL



**4** 16 PCS  
ALEN WOOD BOLT



**5** 1 PCS  
ALEN KEY

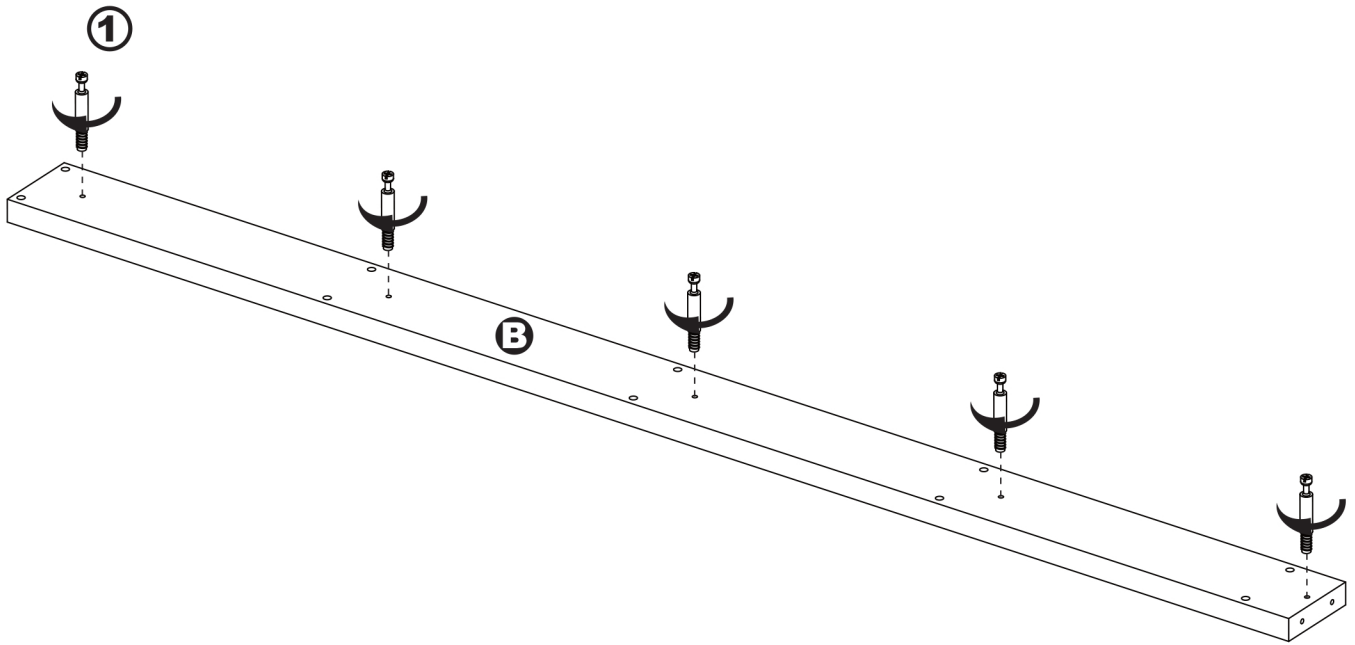


**6** 1 PCS  
GLUE

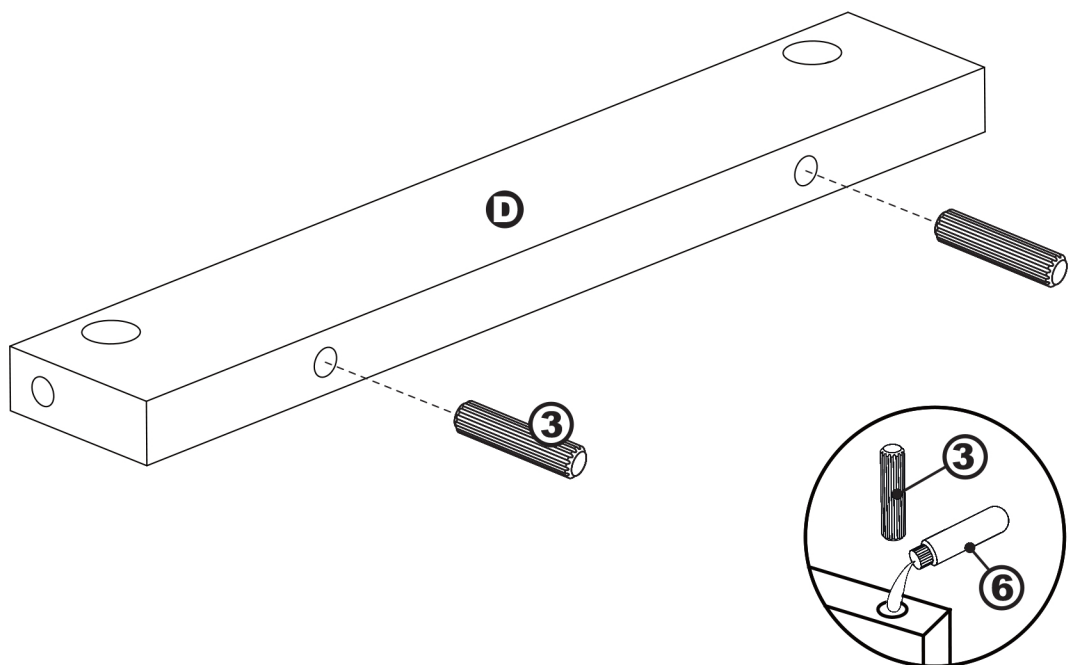


# STEP : 1 ~ 2

## STEP : 1

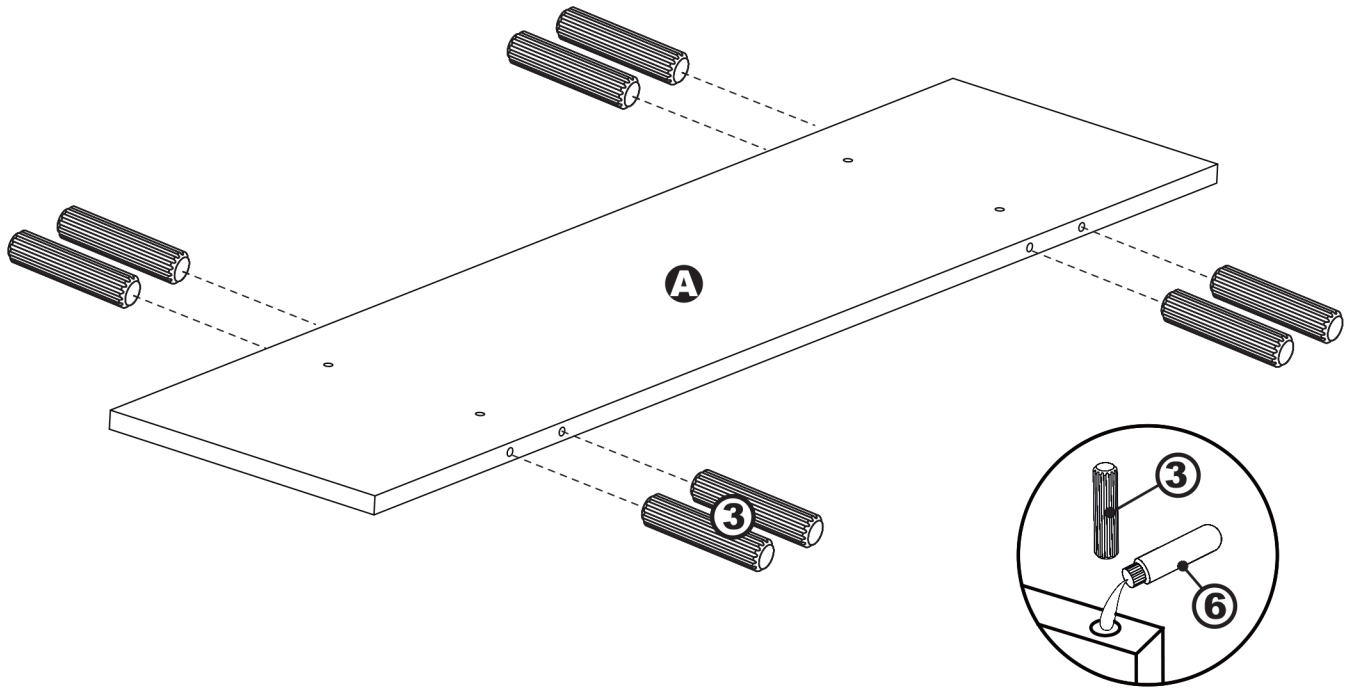


## STEP : 2

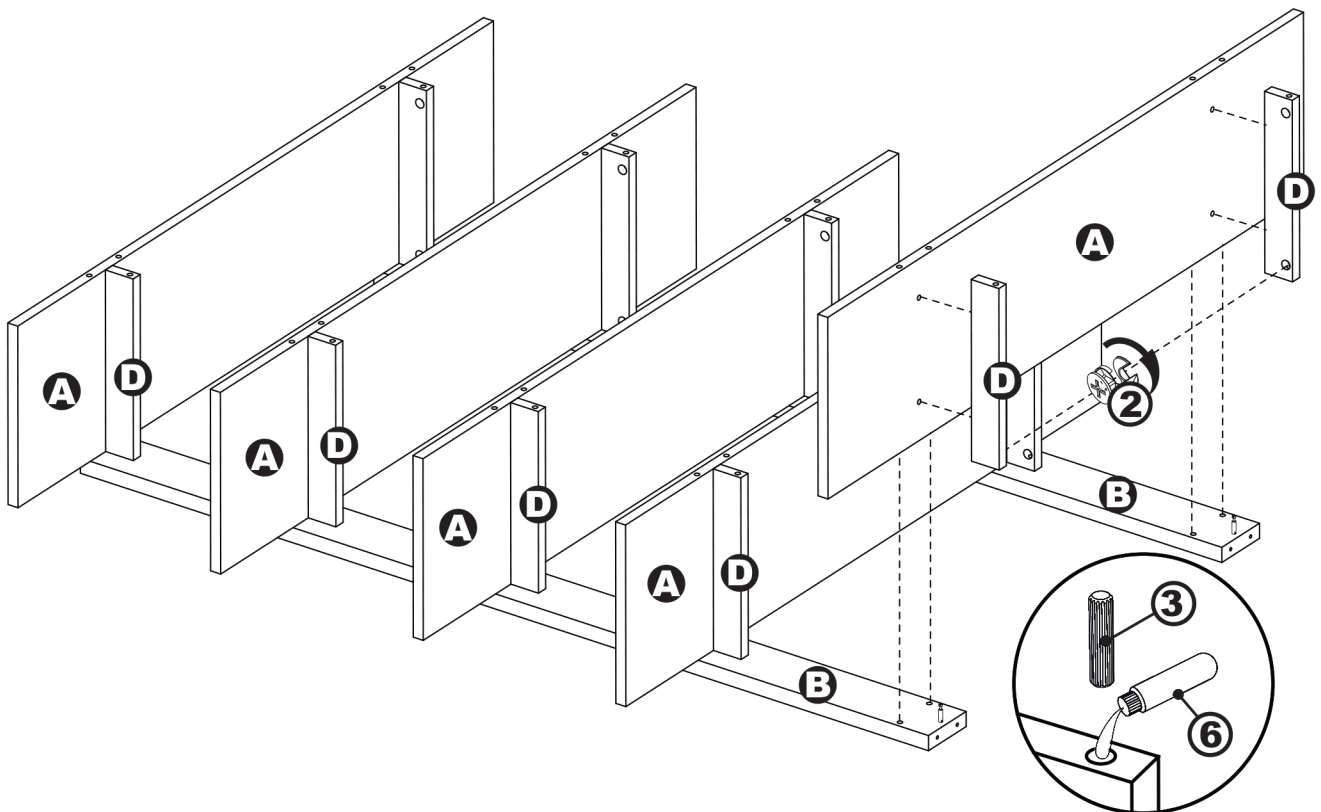


# STEP : 3 ~ 4

## STEP : 3

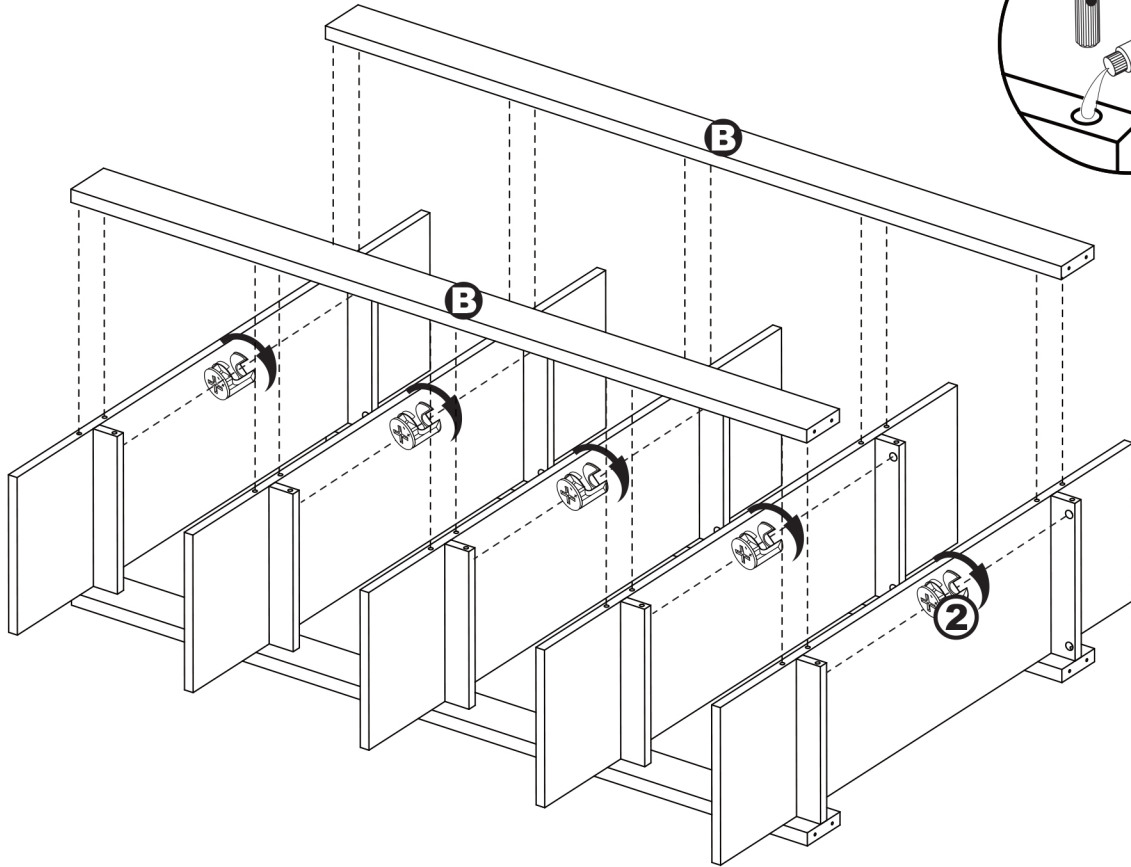


## STEP : 4



# STEP : 5 ~ 6

## STEP : 5



## STEP : 6

