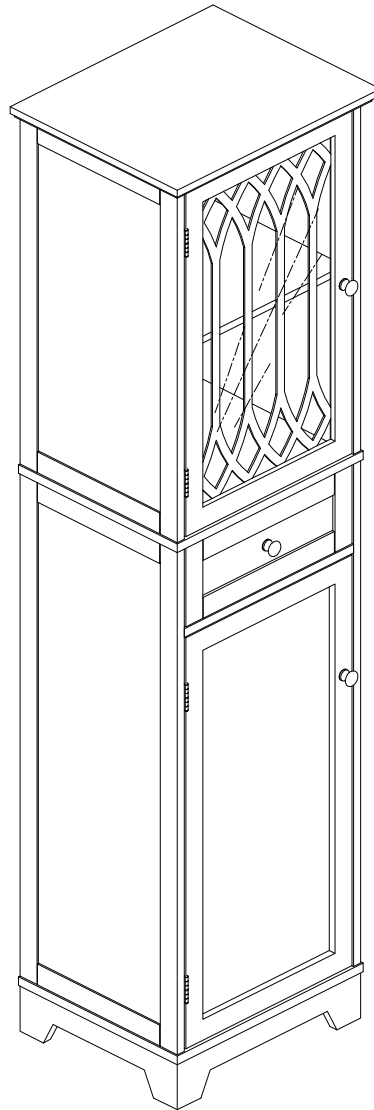


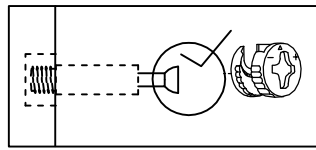
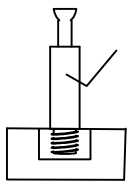
Assembly Instructions



NOTE TO CUSTOMERS:

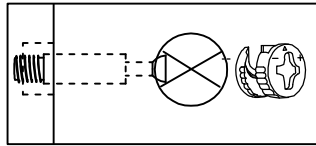
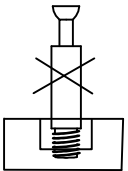
- For ease and speed of assembly we recommend that before you commence each step of the assembly that you identify all the parts required to complete that step.
- We recommend that where possible you allow sufficient space to assemble the item as close as possible to the place where it will be once assembled.
- For the protection of your furniture we recommend that the product is placed on protected surfaces during assembly to prevent any damage.
- During assembly do not over tighten, as this may damage the product.
- Please ensure you retain all the product packaging until the item completely assembled.
- Please periodically check all fittings and re-tighten as necessary.
- Never allow any liquids to remain on your furniture as absorption can cause the wood to warp or the finish to de-laminate.
- It is recommended that this item should be assembled by two adults.

To use a cam lock: (Please read below instructions before assembling)



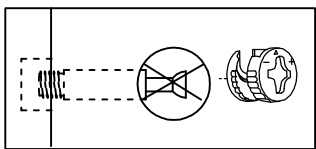
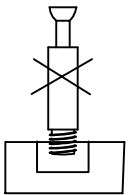
1. Insert cam screw into hole as shown in diagram A .

Diagram B

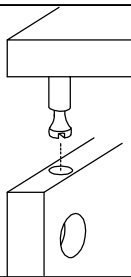


Make sure not to insert the cam screw:
Too deep as shown in figure B as this will cause the cam screw to be misaligned and unable to interlock properly.

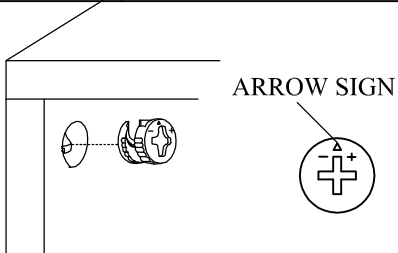
Diagram C



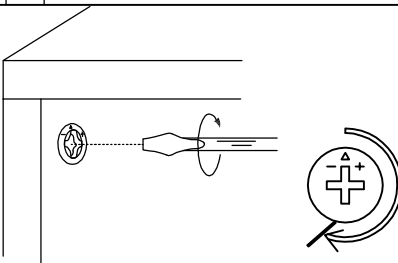
Also avoid inserting the cam screw too close to the surface of the hole as shown in figure C, as this will cause the cam lock to be too loose, and not interlock properly.



2. Connect the panels together.



3. When inserting the cam lock make sure the arrow of the cam lock faces the cam screw.



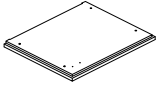
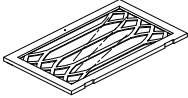
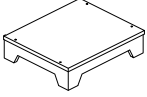
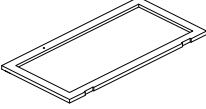
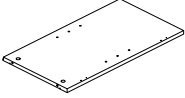
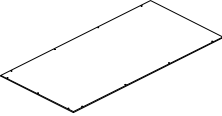
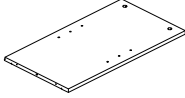
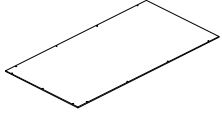
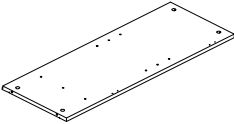
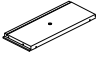
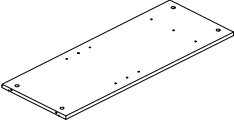

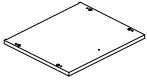

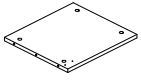

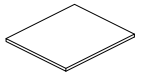
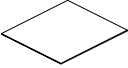
4. To tighten the cam lock turn the cam lock clockwise 90-180 degree or until the arrow is facing opposite the place cam lock was inserted.

NOTE: DO NOT USE AN AUTOMATIC SCREWDRIVER TO TIGHTEN CAM LOCKS.






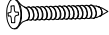
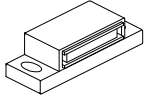
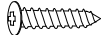
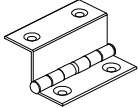
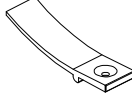
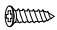

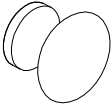


Note:

- Read these instructions carefully before assembling.
- Tools required : Phillips screwdriver, flat screwdriver.
- Find a clean, smooth area on which to work , such as a carpet, in order to avoid scratching the wood surfaces.
- Wait to dispose of the packing material until assembly is complete and all parts and hardware are accounted for.
- Two or more people might be required for assembly.

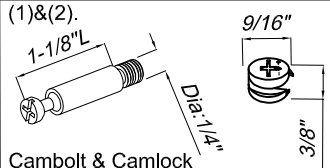
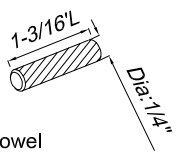
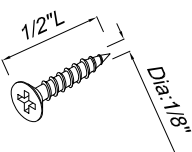
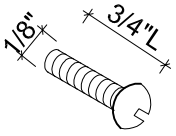
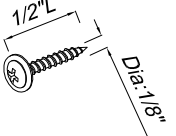
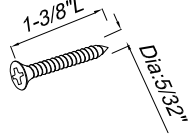
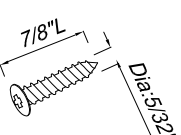
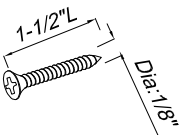
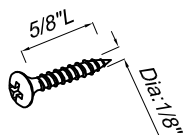
Part List

PART	FIGURE	DESCRIPTION	QTY	PART	FIGURE	DESCRIPTION	QTY
A		TOP PANEL	1PC	J		UPPER DOOR	1PC
B		BOTTOM PANEL	1PC	K		LOWER DOOR	1PC
C		UPPER LEFT SIDE PANEL	1PC	L		UPPER BACK PANEL	1PC
D		UPPER RIGHT SIDE PANEL	1PC	M		LOWER BACK PANEL	1PC
E		LOWER LEFT SIDE PANEL	1PC	N		DRAWER FRONT PANEL	1PC
F		LOWER RIGHT SIDE PANEL	1PC	O		DRAWER LEFT SIDE PANEL	1PC
G		UPPER SHELF	1PC	P		DRAWER RIGHT SIDE PANEL	1PC
H		LOWER SHELF	1PC	Q		DRAWER BACK PANEL	1PC
I		ADJUSTABLE SHELF	2PCS	R		DRAWER BOTTOM PANEL	1PC

HARDWARE LIST

PART	FIGURE	DESCRIPTION	QTY	PART	FIGURE	DESCRIPTION	QTY
1		CAM LOCK	16PCS	9		SHELF SUPPORT	8PCS
2		CAM BOLT	16PCS	10		SCREW	26PCS
3		WOOD DOWEL	4PCS	11		SCREW	4PCS
4		MAGNET	2PCS	12		SCREW	8PCS
5		HINGES	4PCS	13		DRAWER STOPPER	1PC
6		SCREW	17PCS	14		ANCHOR WITH SCREW	1PC
7		KNOB	3PCS	15		ANTI-TIP KIT	1PC
8		BOLT	3PCS				

APPENDIX: Dimension of Hardwares in this AI.

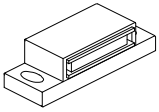
<p>(1)&(2).  Cambolt & Camlock</p>	<p>(3).  Wood Dowel</p>	<p>(6).  Screw</p>
<p>(8).  Bolt</p>	<p>(10).  Screw</p>	<p>(11).  Screw</p>
<p>(12).  Screw</p>	<p>(14).  Screw</p>	<p>(15).  Screw</p>

2



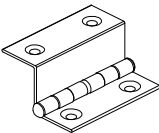
8 PCS

4



2 PCS

5



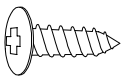
4 PCS

6



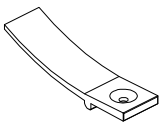
9 PCS

10



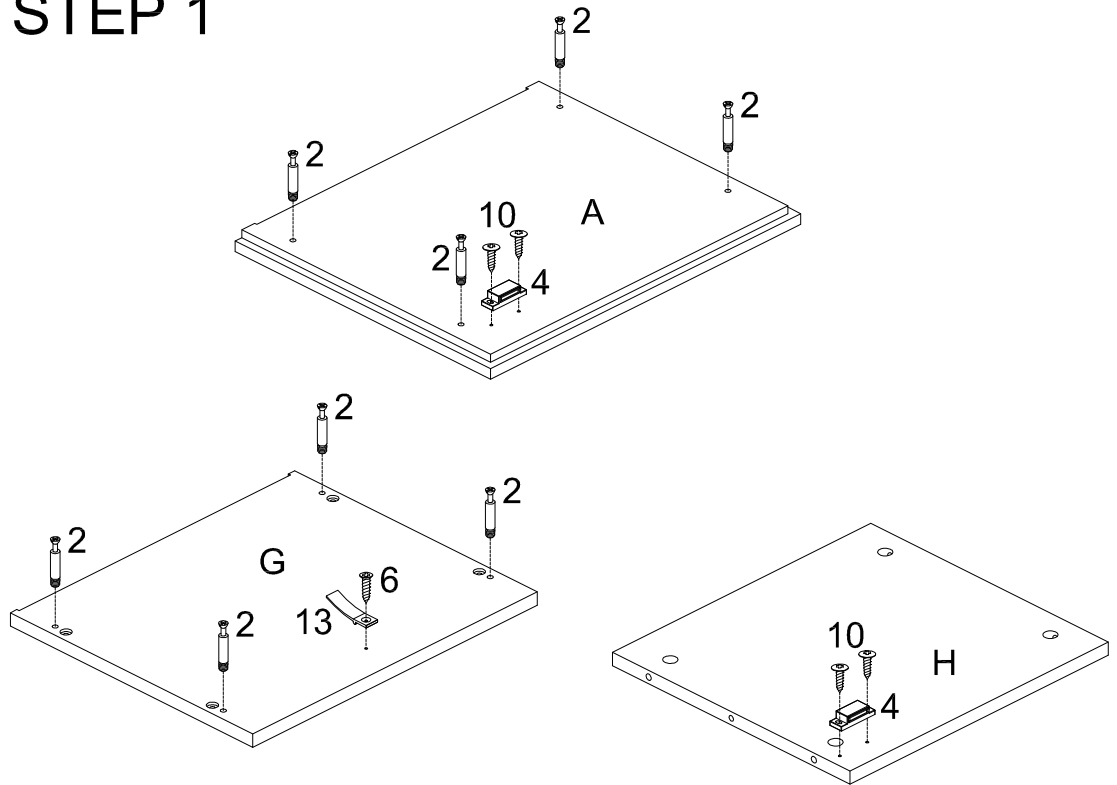
4 PCS

13



1 PC

STEP 1



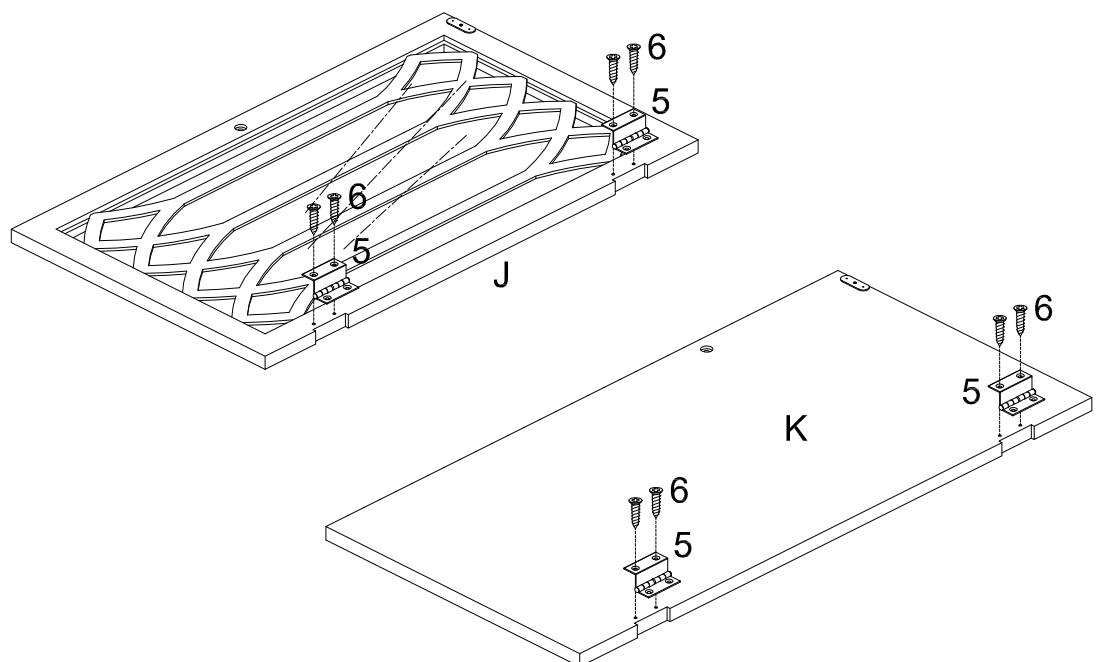
1). Attach Magnets (4) to Top Panel (A) and Lower Shelf (H) using Screws (10) as shown above.

2). Attach Drawer Stopper (13) to Upper Shelf (G) using Screw (6).

3). Screw and insert Cam-bolts (2) to Top Panel (A) and Upper Shelf (G).

Note: Holes are pre-drilled for Screws (6)&(10).

STEP 2



Attach Hinges (5) to Doors (J)&(K) using Screws (6).

Note: Holes are pre-drilled for Screws (6).

1



4 PCS

3



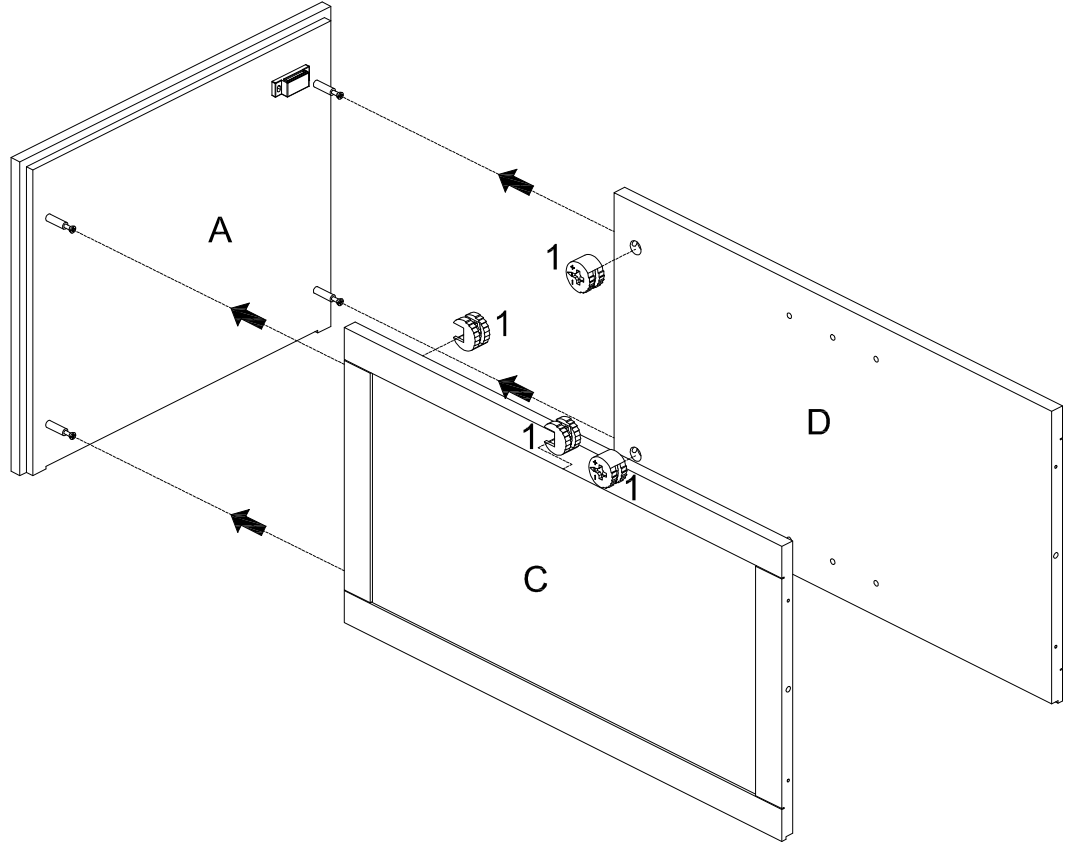
2 PCS

11



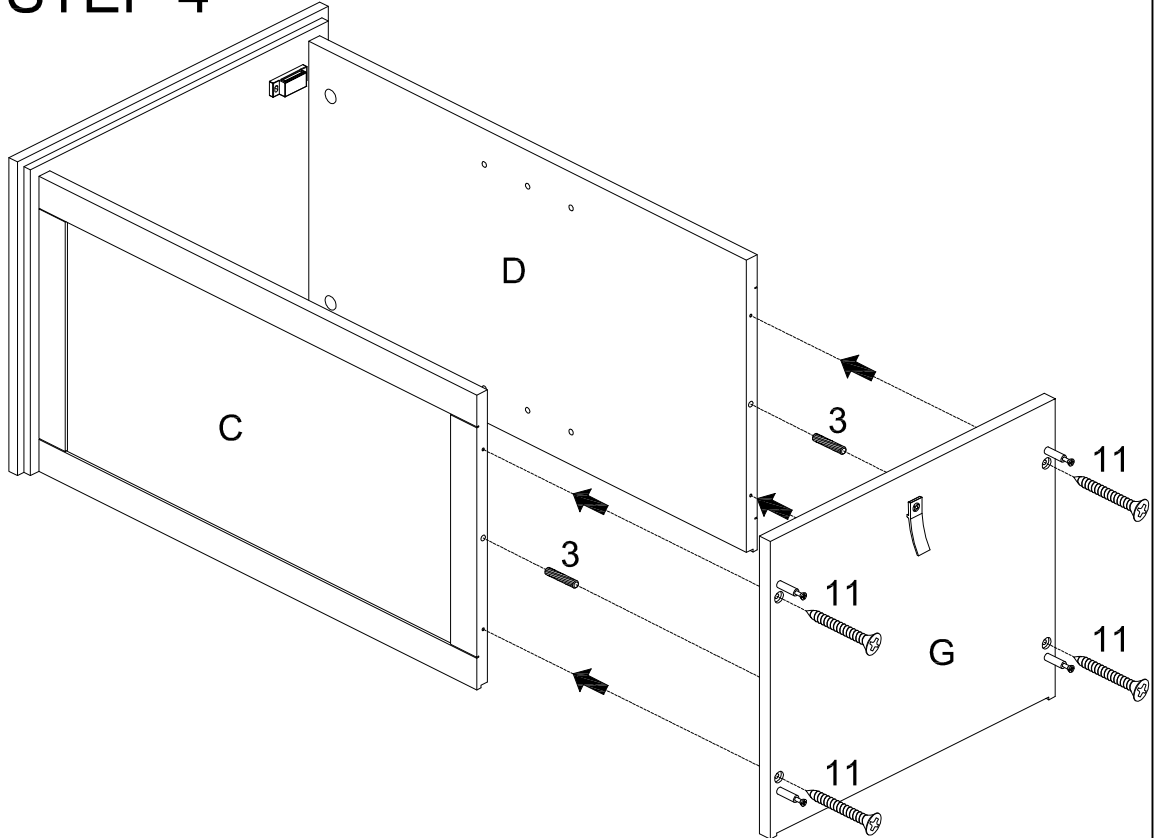
4 PCS

STEP 3



Assemble Upper Side Panels (C)&(D) to Top Panel (A) using Camlocks (1).

STEP 4



Assemble Upper Shelf (G) to Upper Side Panels (C)&(D) using Wood Dowels (3) and Screws (11) as shown above.

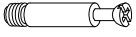
Note: Holes are pre-drilled for Screws (11).

1



8 PCS

2



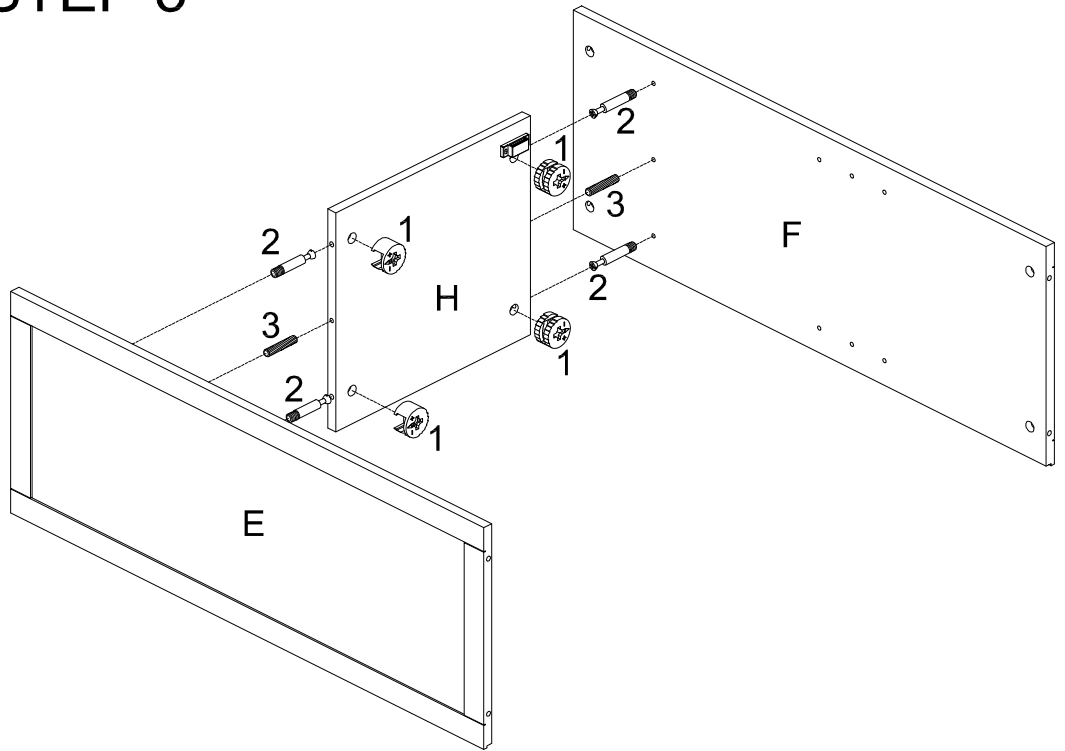
8 PCS

3



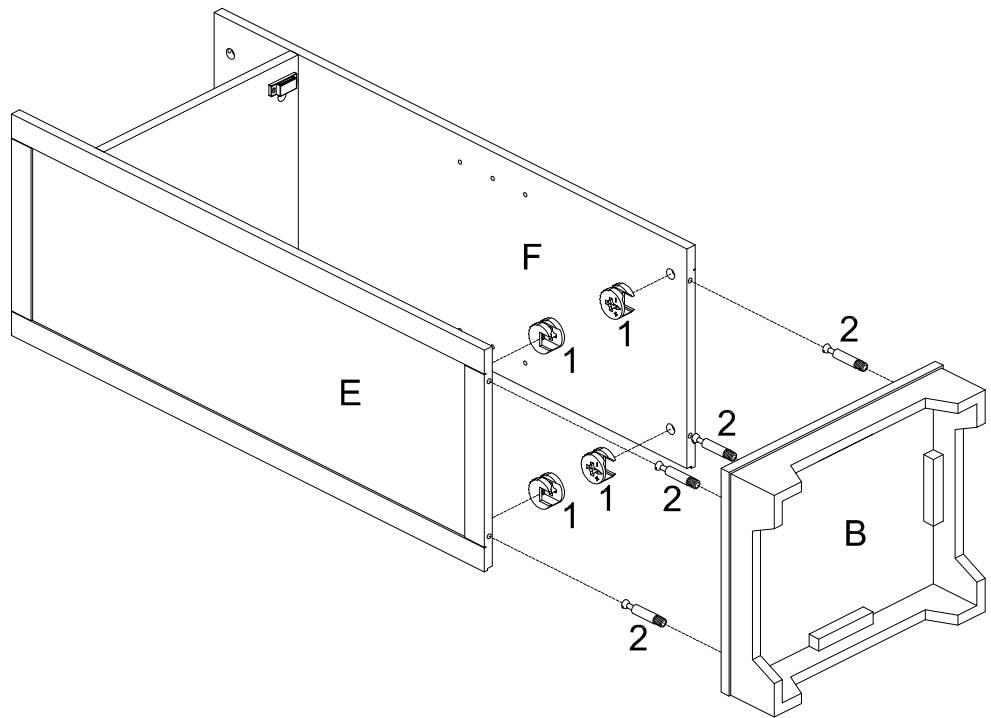
2 PCS

STEP 5



Assemble Lower Side Panels (E)&(F) to Lower Shelf (H) using Camlocks (1), Cam-bolts (2) and Wood Dowels (3).

STEP 6



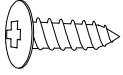
Assemble Bottom Panel (B) to Lower Side Panels (E)&(F) using Camlocks (1) and Cam-bolts (2).

1



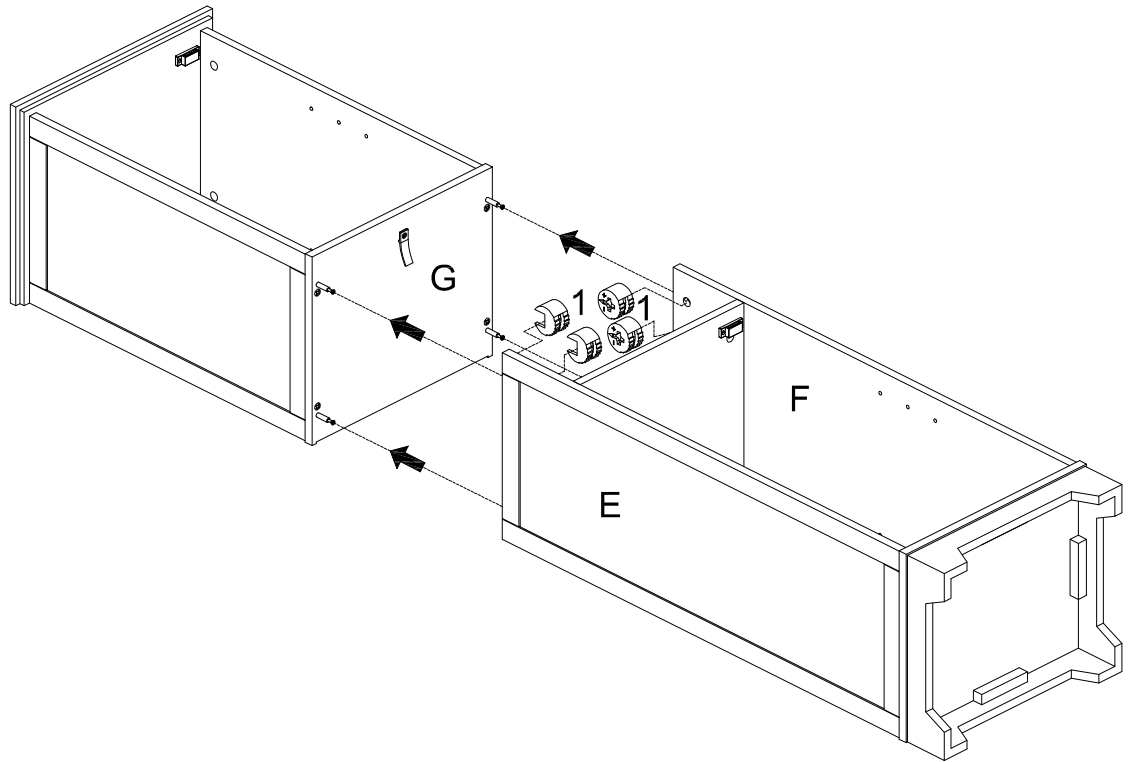
4 PCS

10



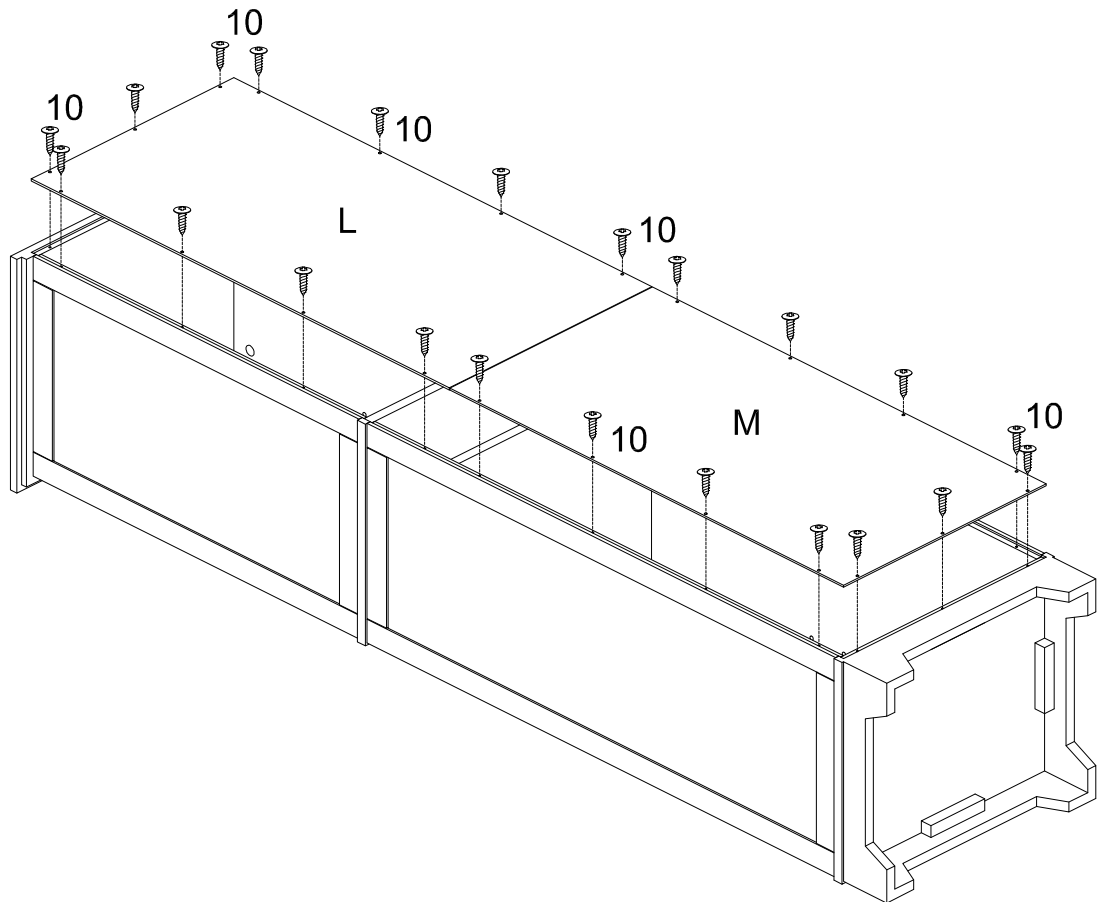
22 PCS

STEP 7



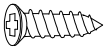
Assemble Lower Side Panels (E)&(F) to Upper Shelf (G) using Camlocks (1) as shown above.

STEP 8



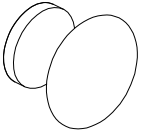
Assemble Back Panels (L)&(M) to the back of this unit using Screws (10).
Note:Holes are pre-drilled for Screws (10).

6



8 PCS

7



2 PCS

8



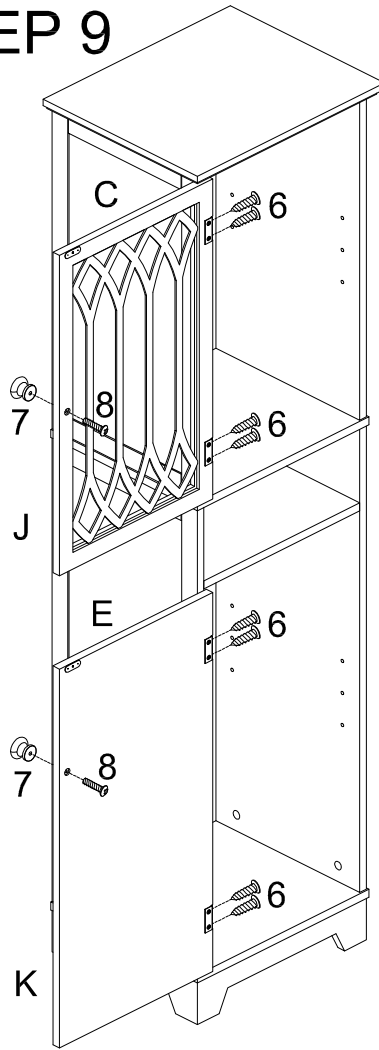
2 PCS

9



8 PCS

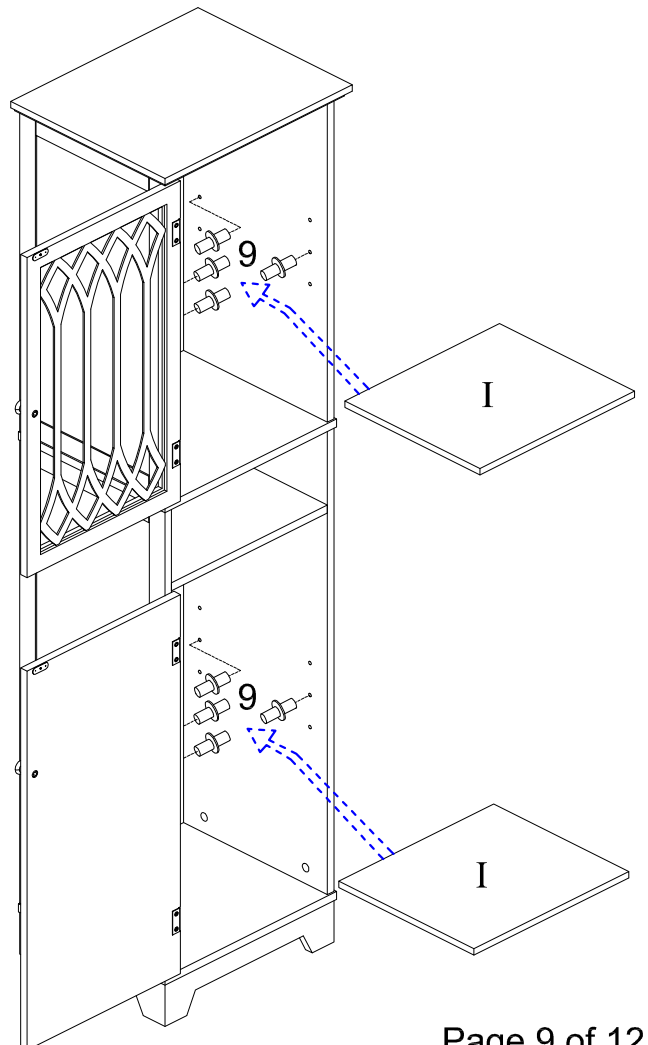
STEP 9



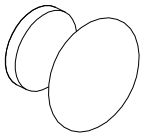
- 1).Assemble Upper Door (J) to Upper Left Side Panel (C) using Screws (6).
 - 2).Assemble Lower Door (K) to Lower Left Side Panel (E) using Screws (6).
 - 3).Attach Knobs (7) to Doors (J)&(K) using Bolts (8).
- Note:Holes are pre-drilled for Screws (6).

STEP 10

Insert Shelf Supports (9) into the holes of Side Panels (C)&(D)&(E)&(F), then put Adjustable Shelves (I) onto Shelf Supports (9).



7



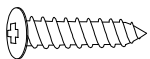
1 PC

8



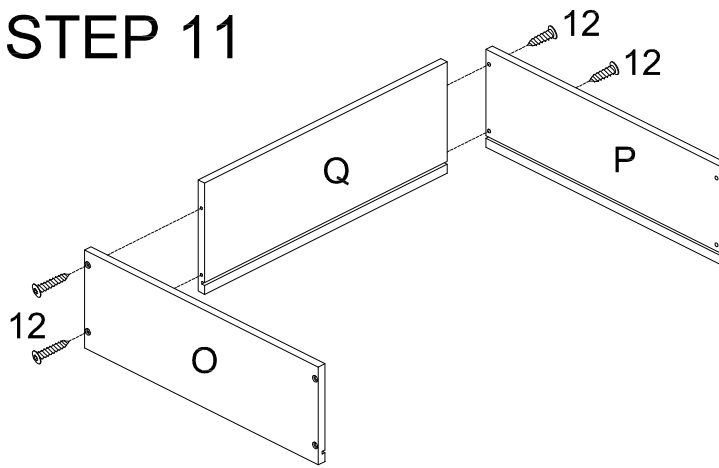
1 PC

12



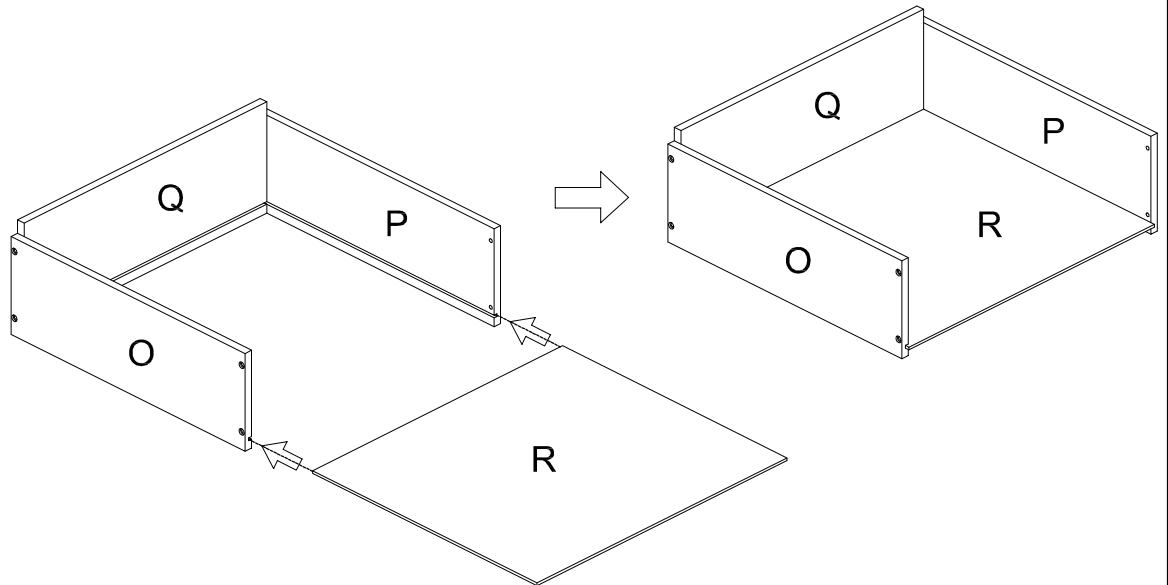
8 PCS

STEP 11



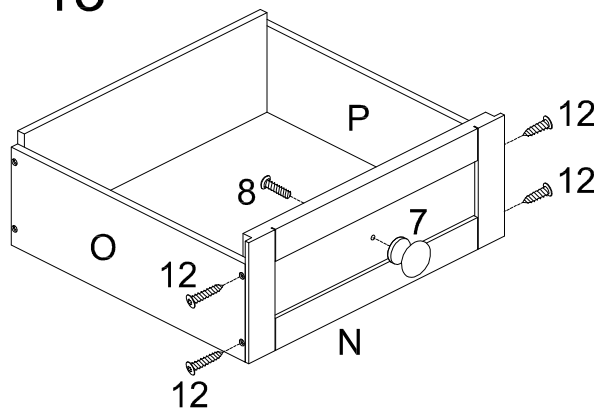
Assemble Drawer Side Panels (O)&(P) to Drawer Back Panel (Q) using Screws (12).

STEP 12



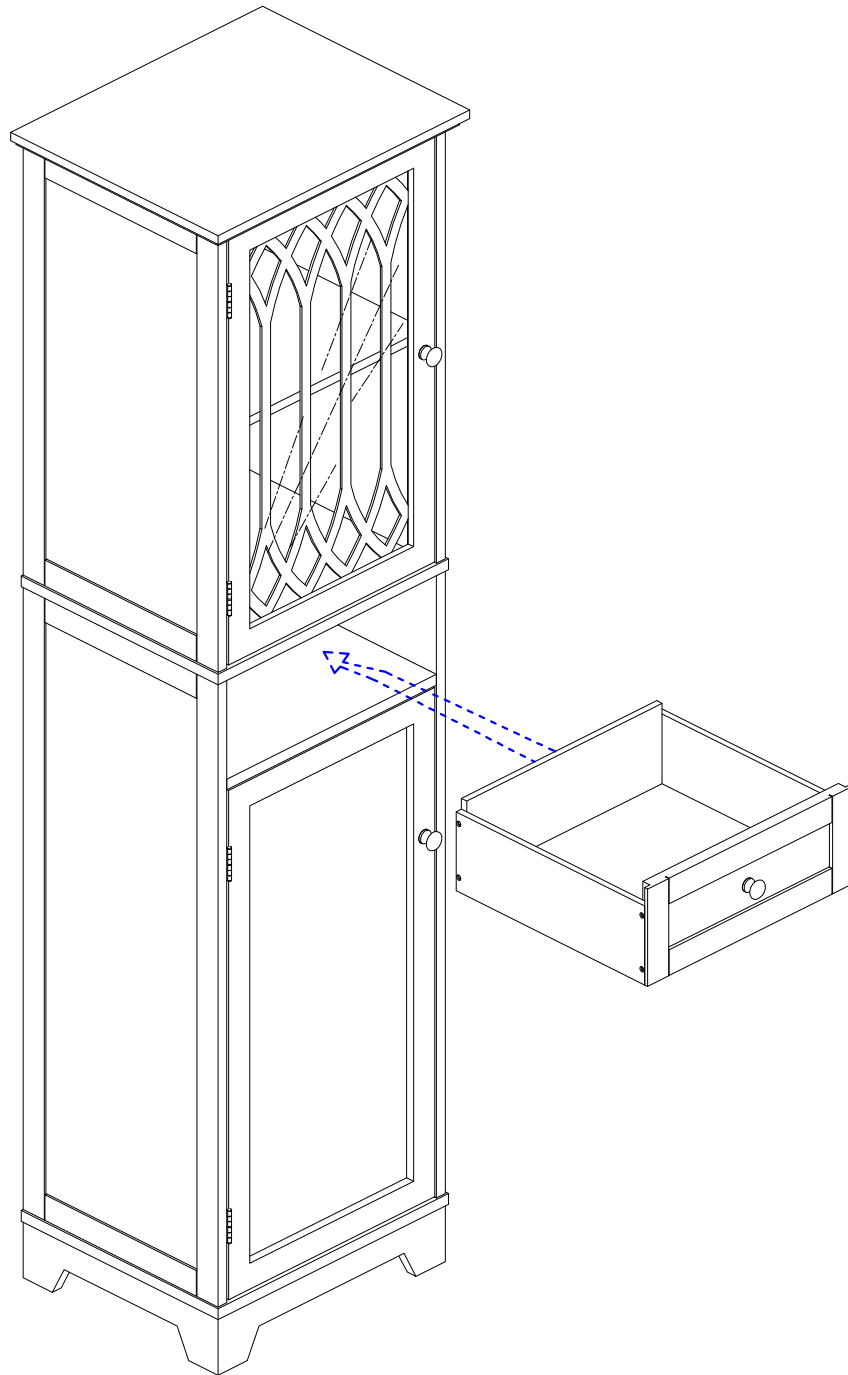
Insert Drawer Bottom Panel (R) into the grooves on Drawer Side Panels (O)&(P).

STEP 13



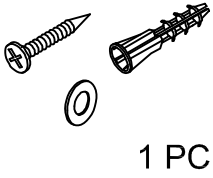
Assemble Drawer Front Panel (N) to Drawer Side Panels (O)&(P) using Screws (12), then attach Knob (7) to Drawer Front Panel (N) using Bolt (8).

STEP 14

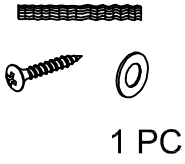


Insert the drawer to this unit as shown above.

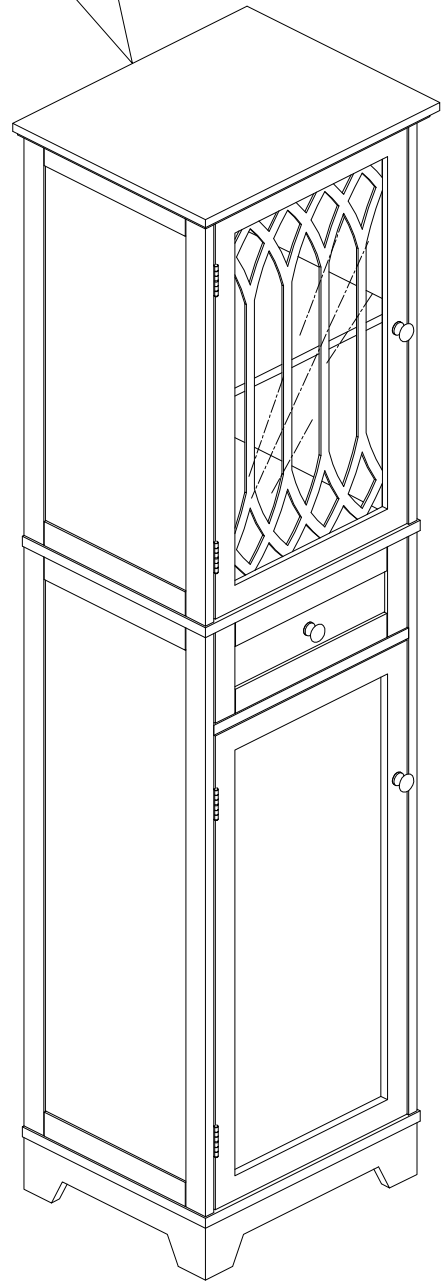
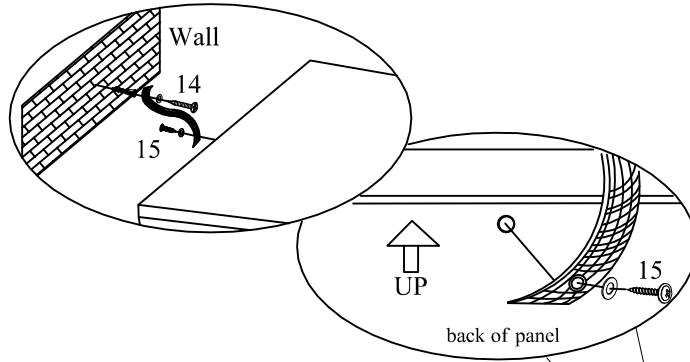
14



15



STEP 15



Attach the nylon strap of Anti-tip Kit (15) to the back side of Top Panel (A) through Back Panel (L), then attach another end of nylon strap of Anti-tip Kit (15) to the wall using Anchor and Screw (14) as shown above.