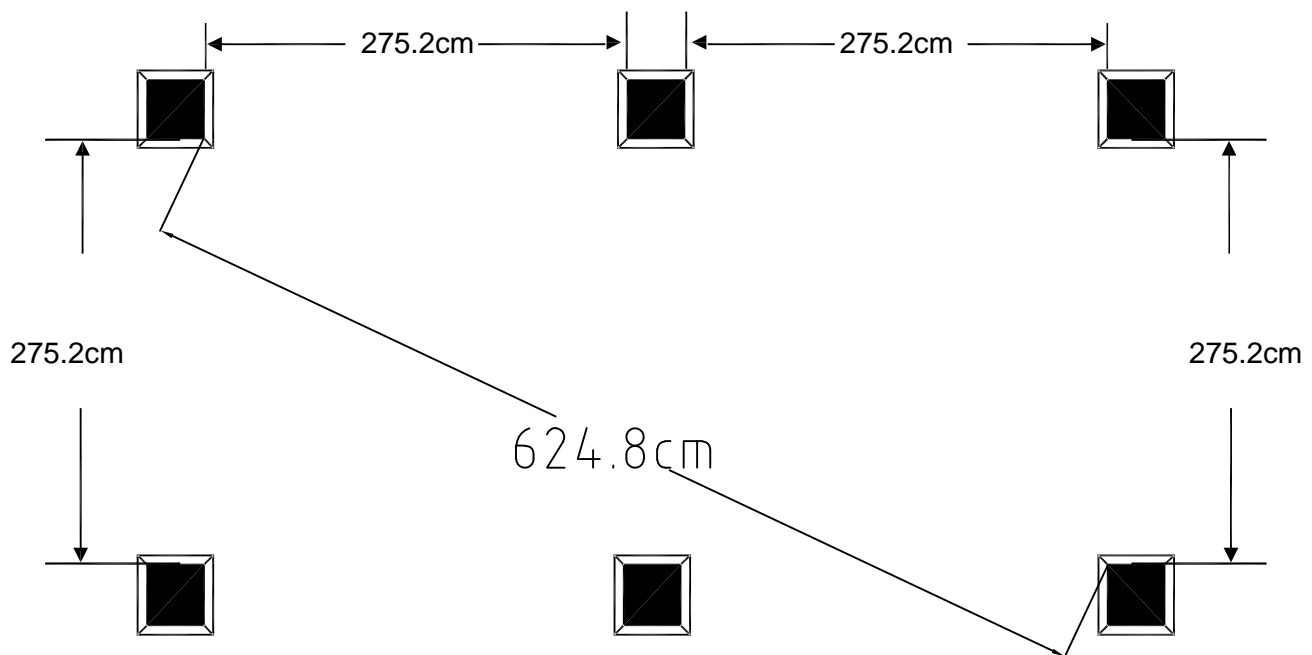

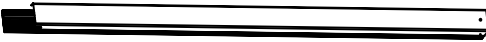

















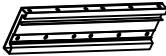




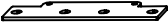
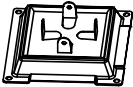
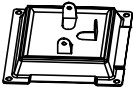
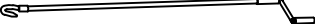


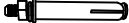

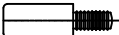

Installation size diagram

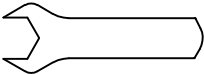









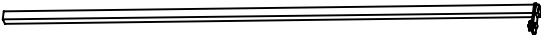
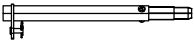






The width dimension error is restricted to 3MM.

Diagonal line error should be limited to 5MM

Name	part code	part sketch	Quantity
	A		4
	A1		2
	B		1
	B1		1
	B2		1
	B3		1
	B4		1
	B5		1
	B6		1
	B7		1
	C		1
	C1		1
	C2		1
	C3		1
	D		3
	D1		3

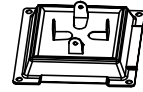
Name	part code	part sketch	Quantity
	E		76
	F		2
	F1		4
	F2		3
	F4		2
	G		4
	G1		2
	H		4
	H1		2
	I		4
	J	 M4.2x25	16+2
	K	 M6*16	376+10
	L	 M6x62	24
	M	 M6x8	16
	N	 M6x35	24
	N1	 M6x25	8+2

Name	part code	part sketch	Quantity
	O		1
	P2		2
	Q		1
	Q1		1
	R1		1
	S		152
	T1		24+2
	U		120
	U1		6
	U2		6
	V		4
	V1		4
	V2		8
	V3		2
	V4		2
	W		6

STEP 01



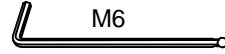
A:4PCS



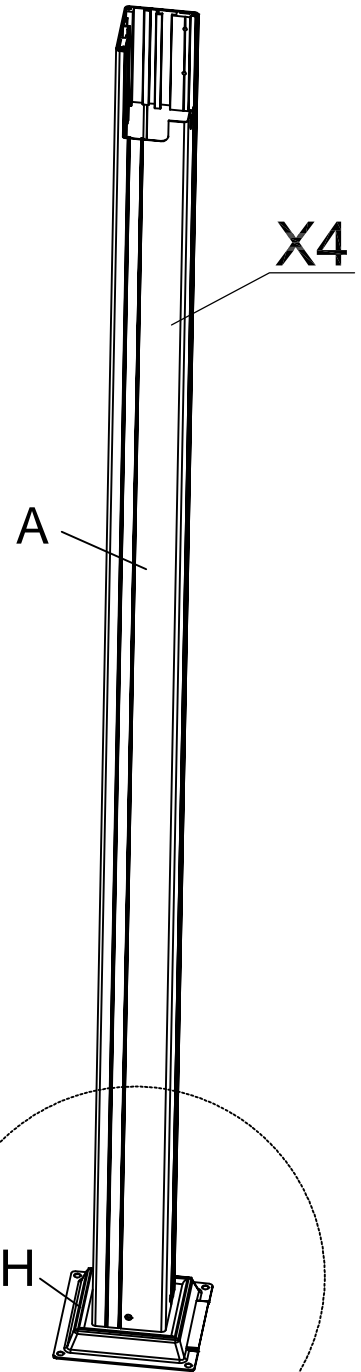
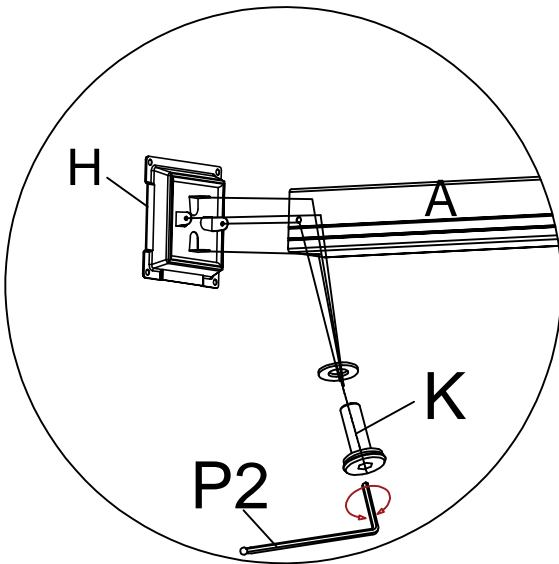
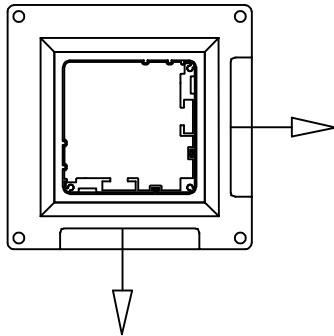
H:4PCS



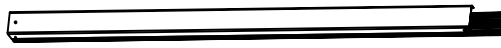
K:16PCS




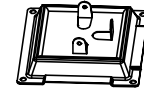
P2:1PC



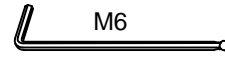
STEP 02

 A1: 2PCS

 K: 6PCS

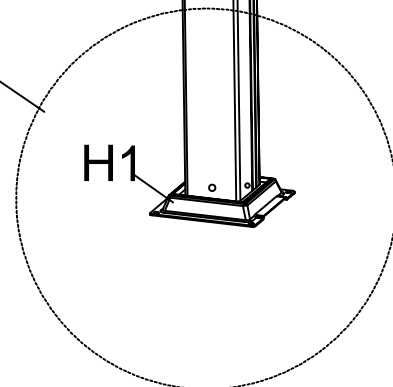
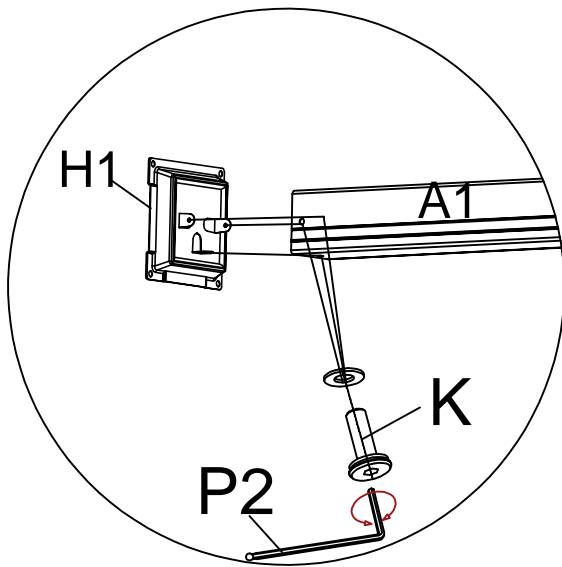
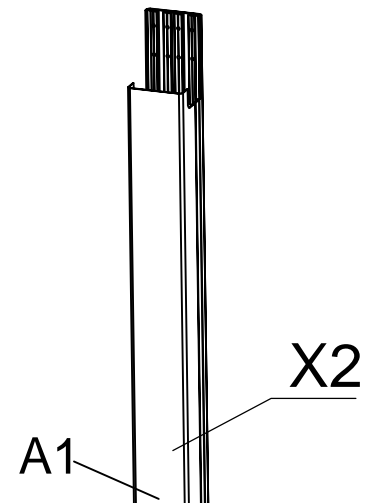
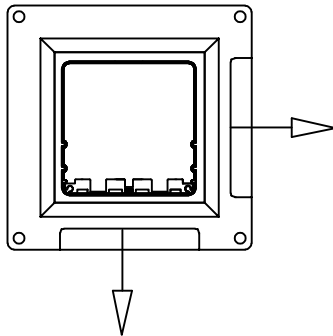


H1: 2PCS

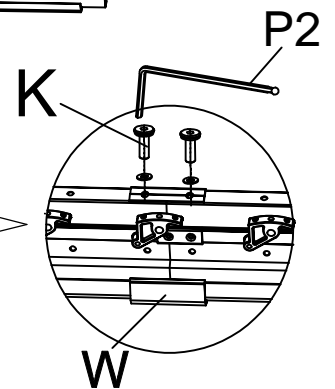
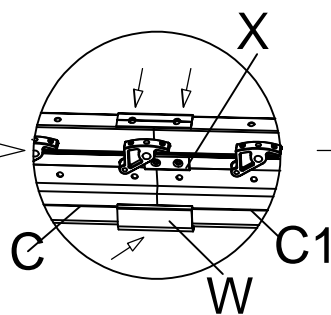
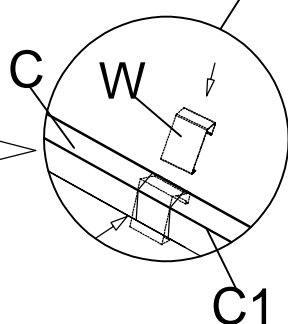
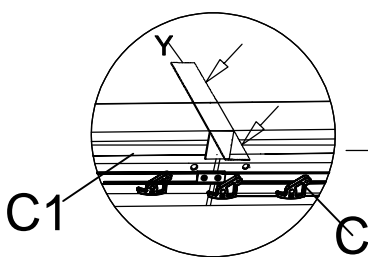
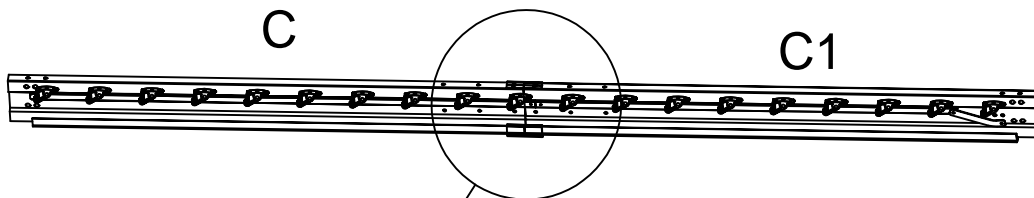
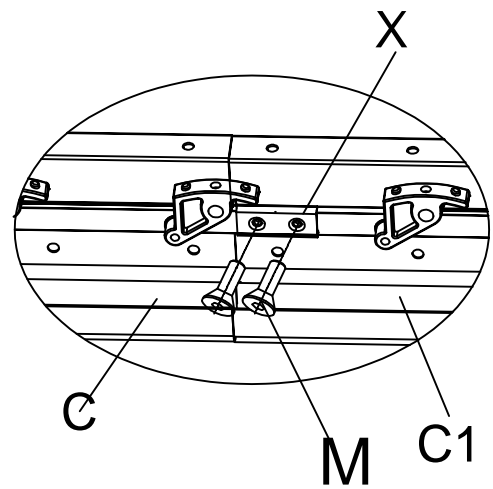
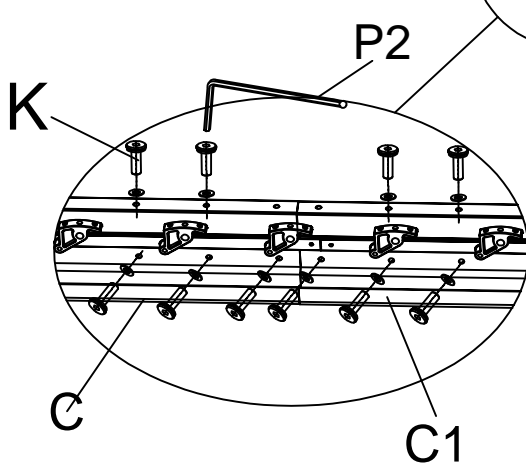
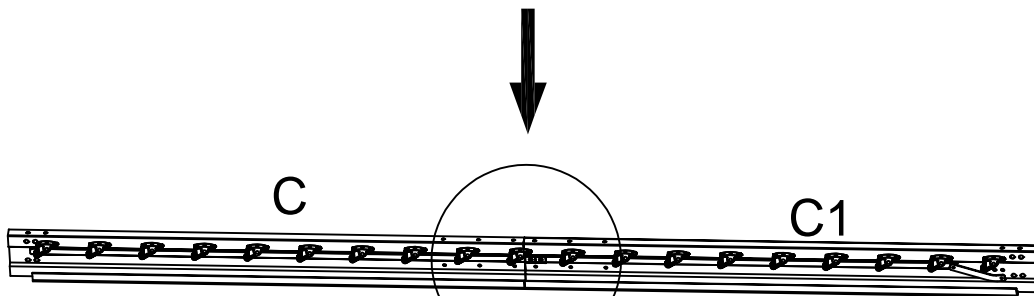
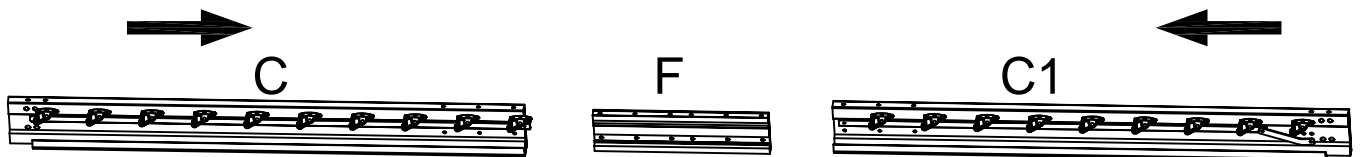
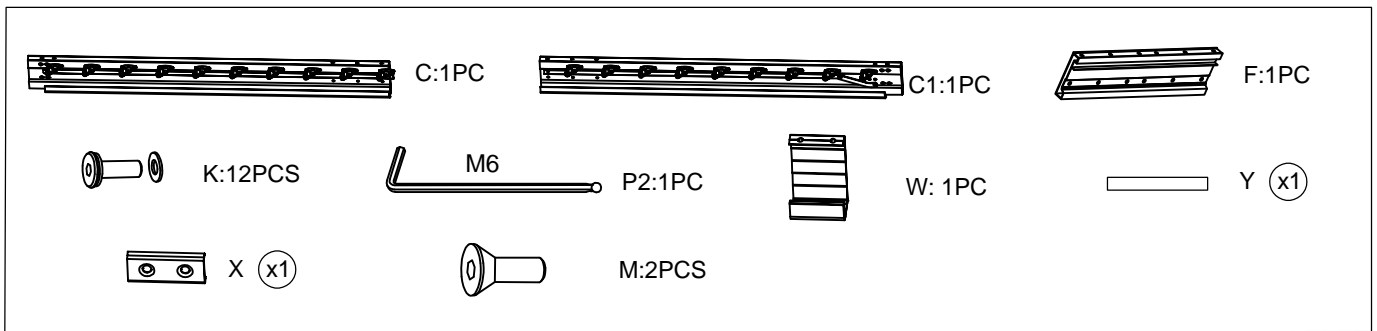


M6

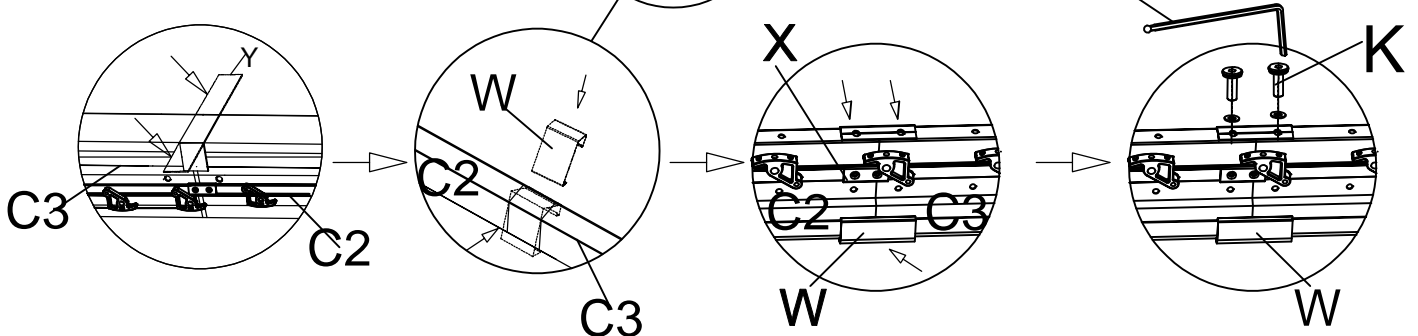
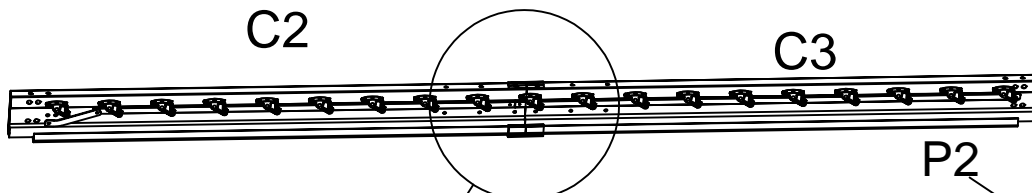
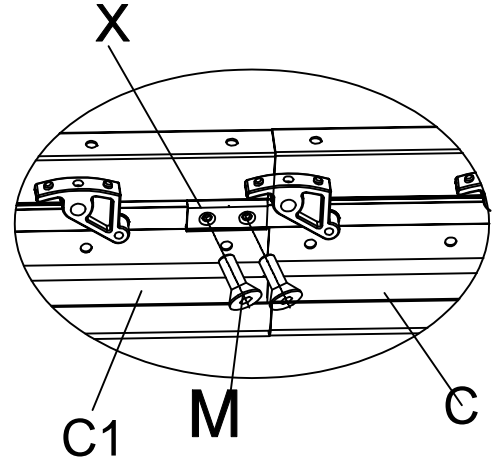
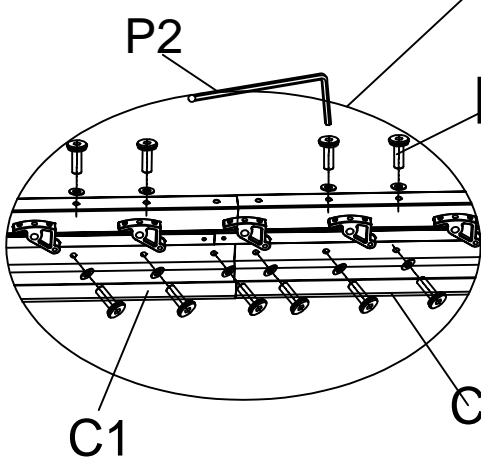
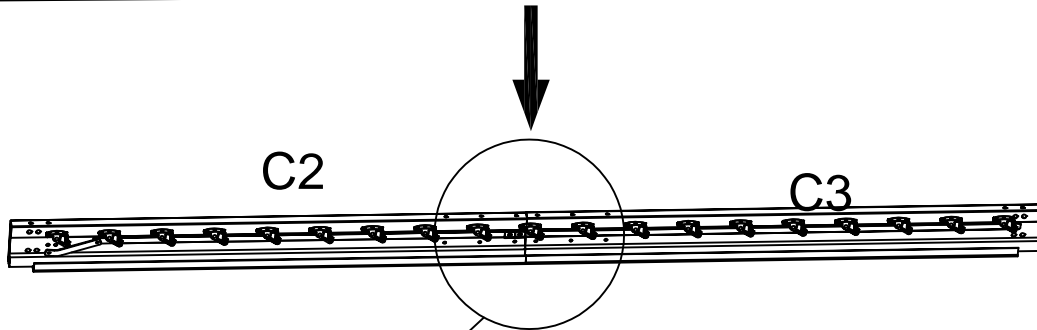
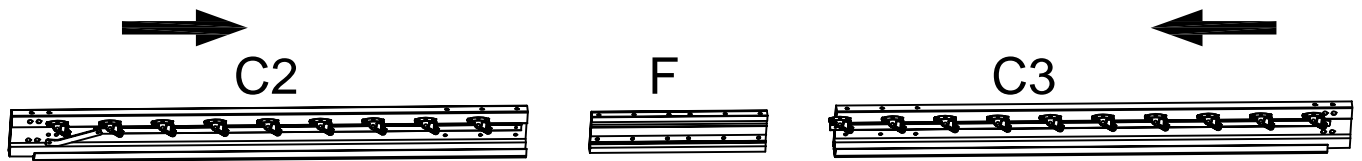
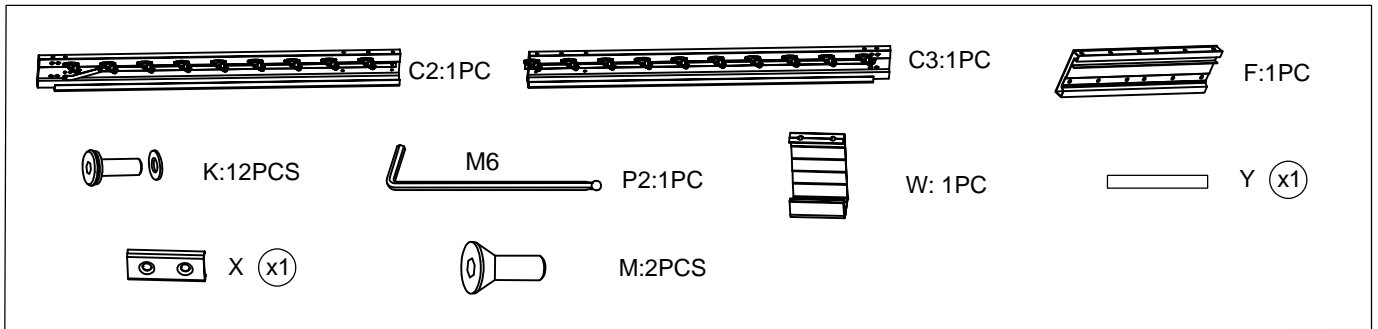
P2:1PC



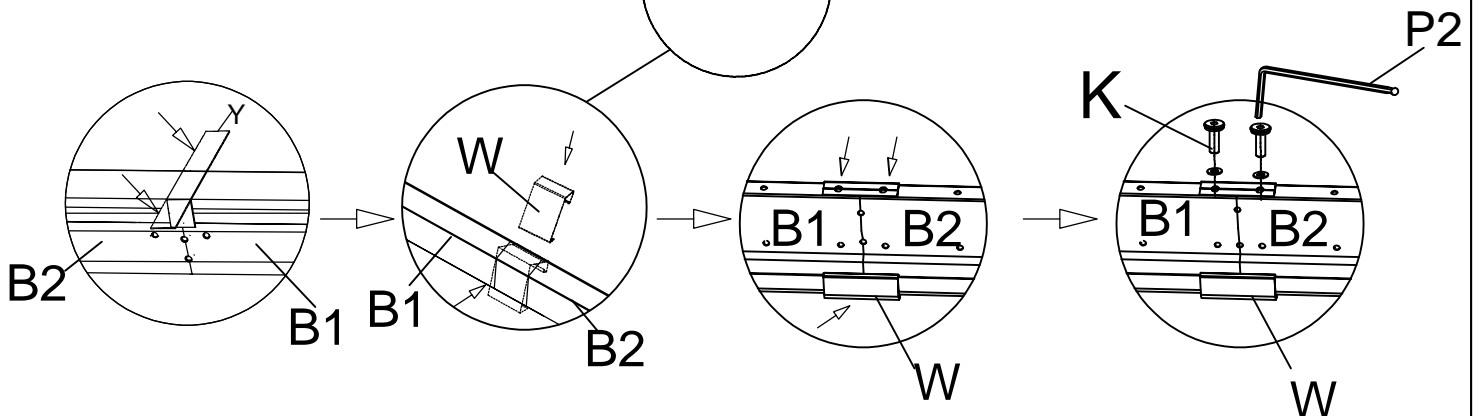
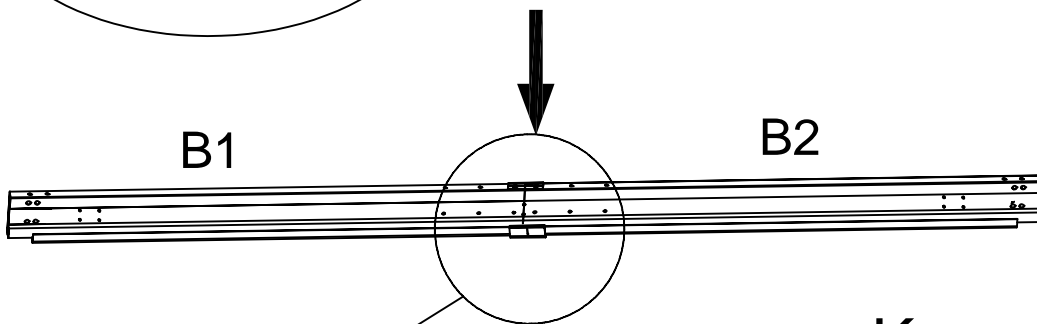
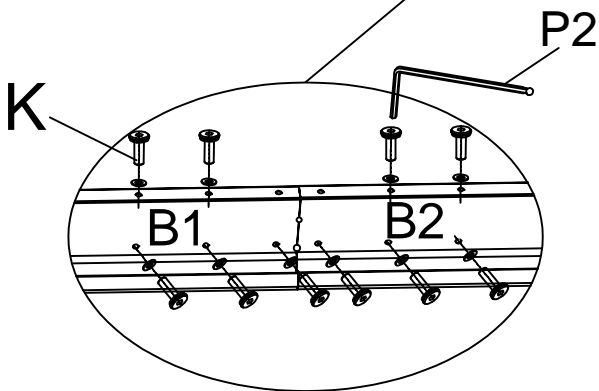
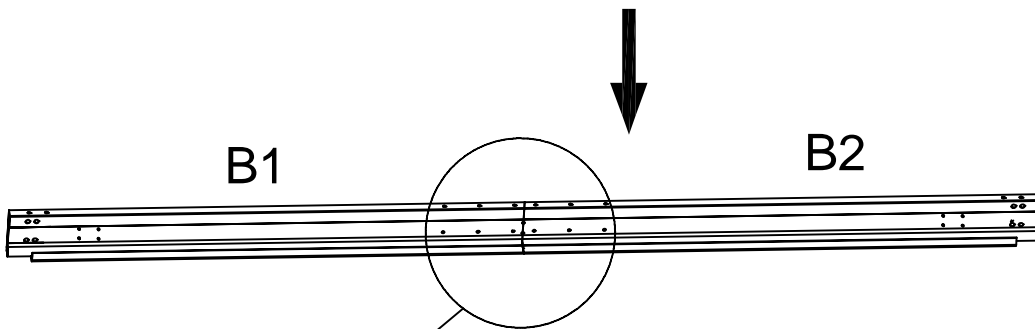
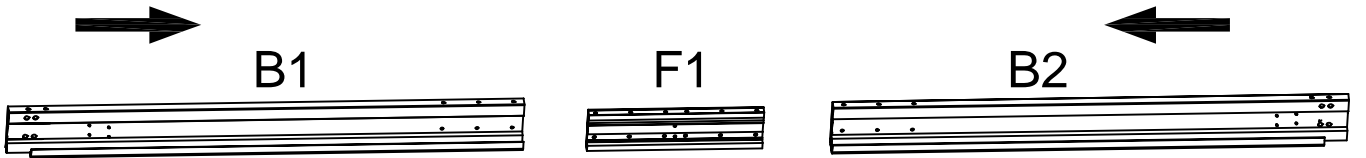
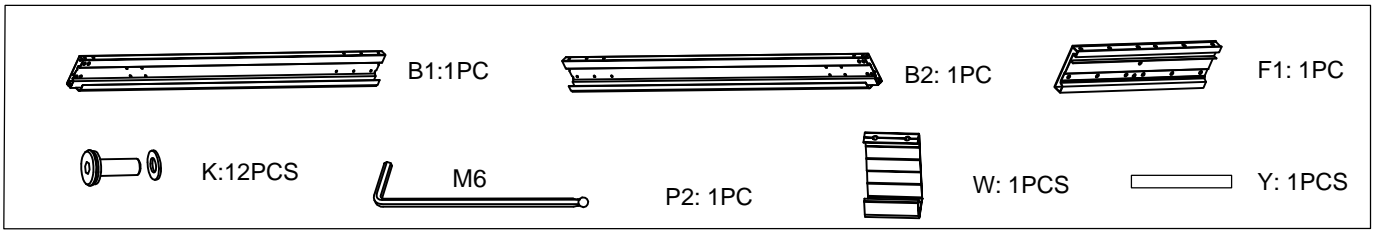
STEP 03



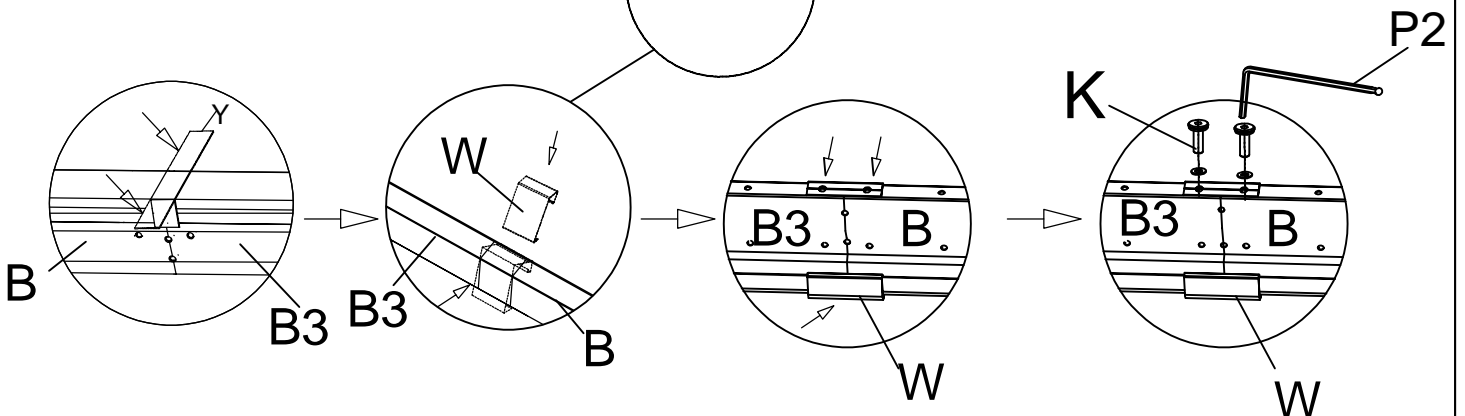
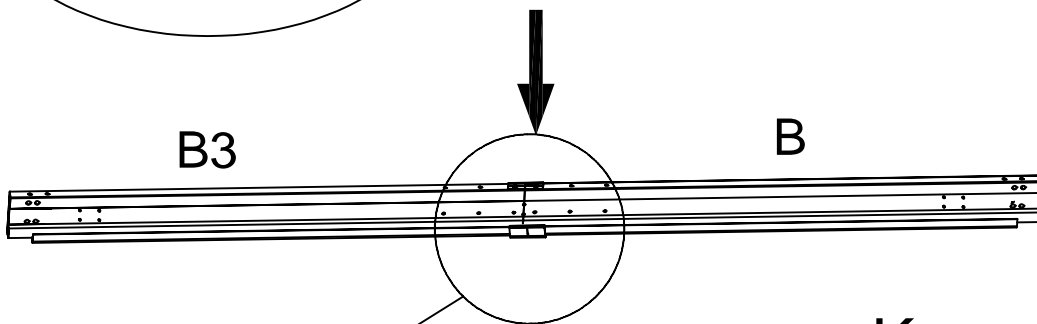
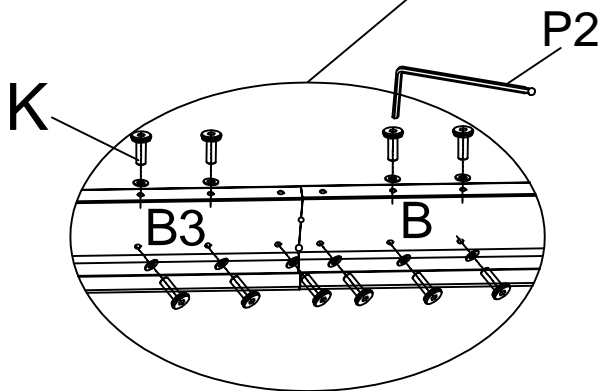
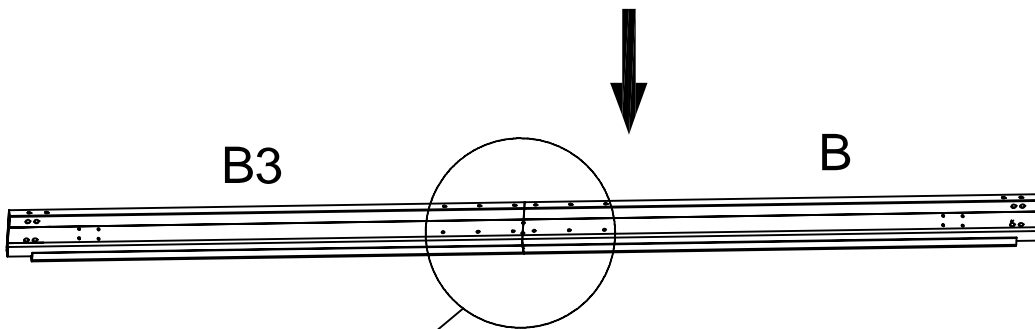
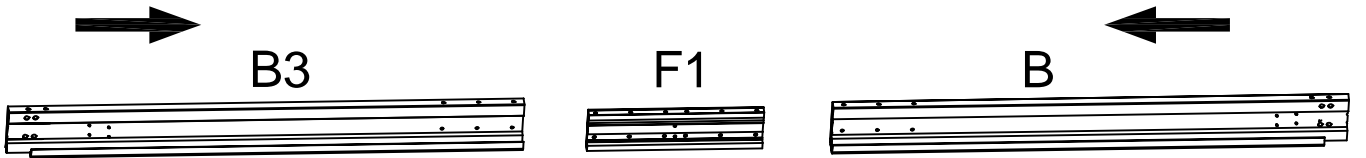
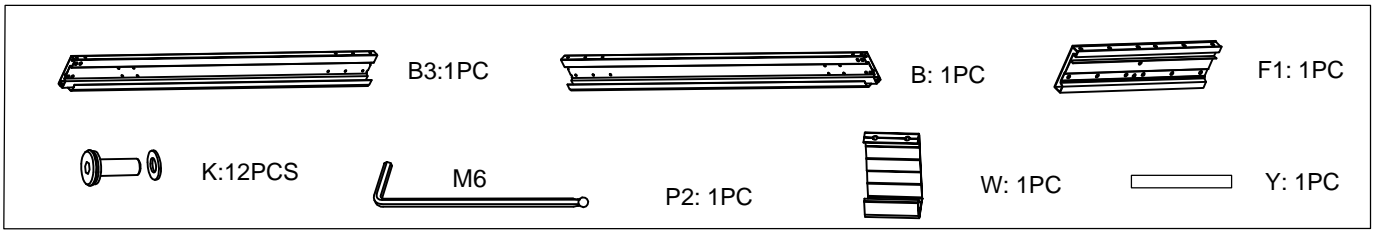
STEP 04



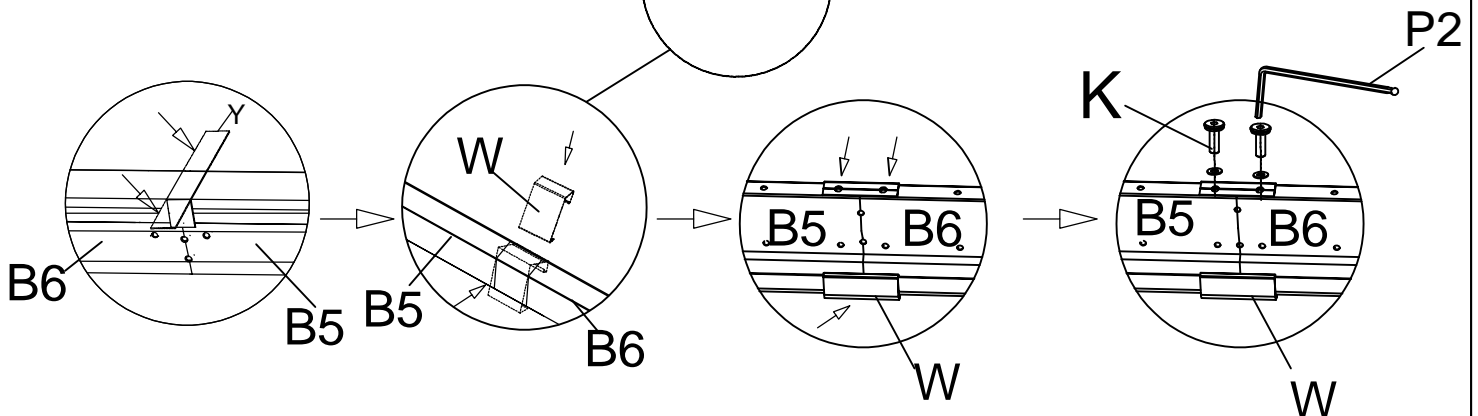
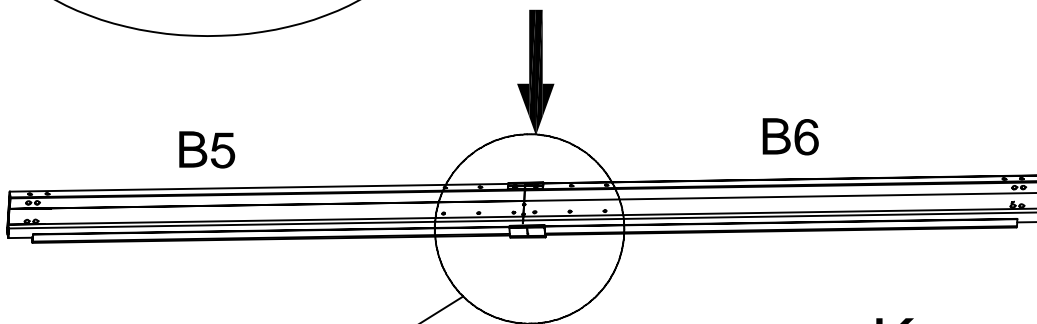
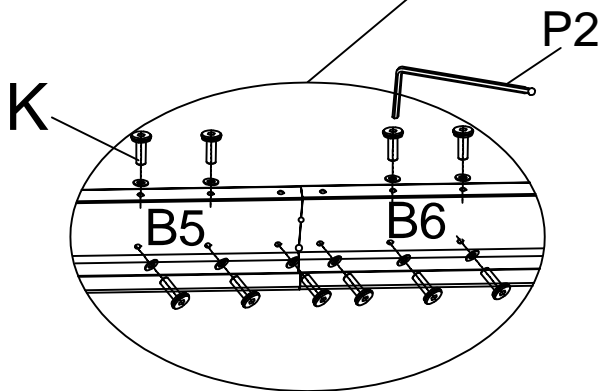
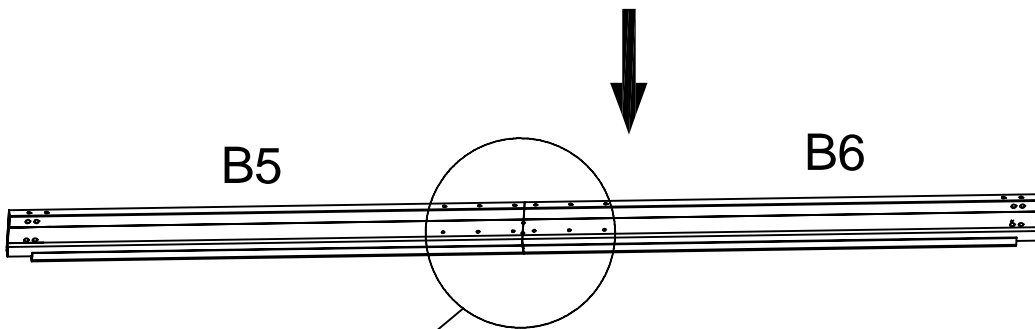
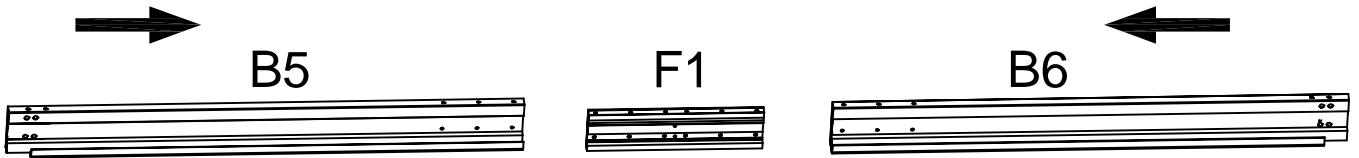
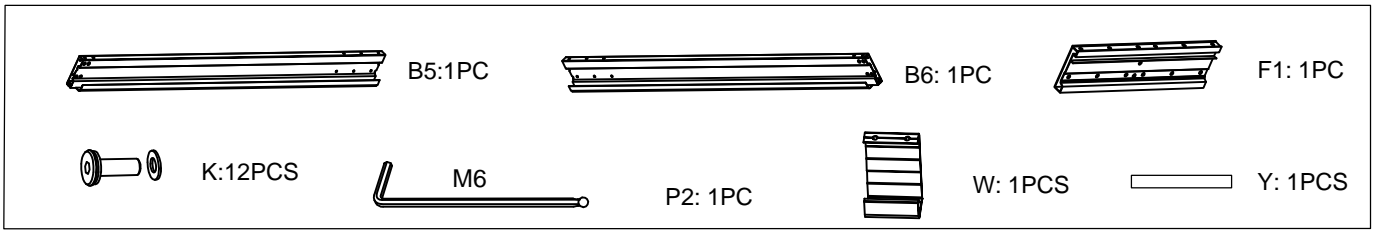
STEP 05



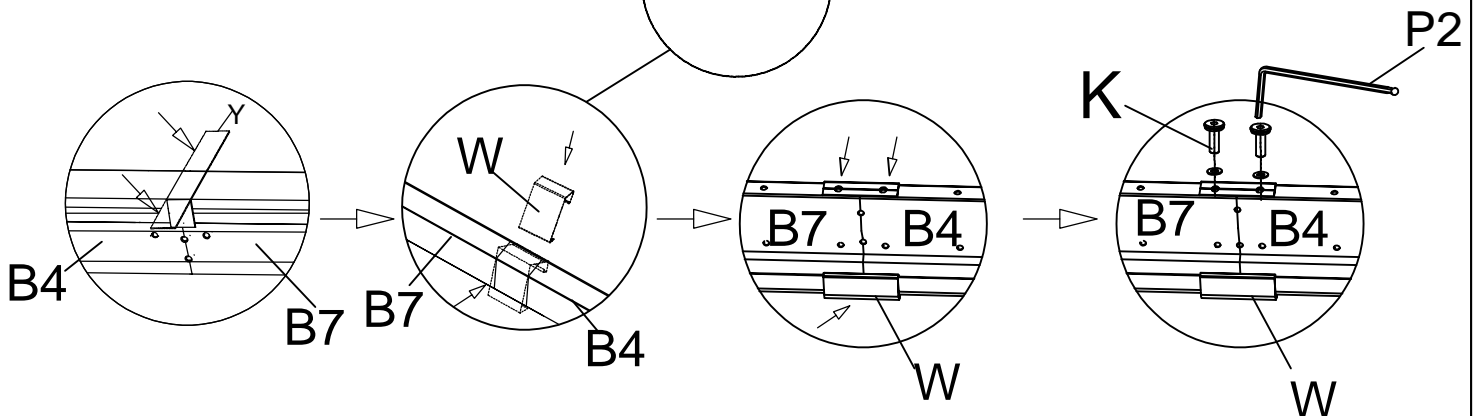
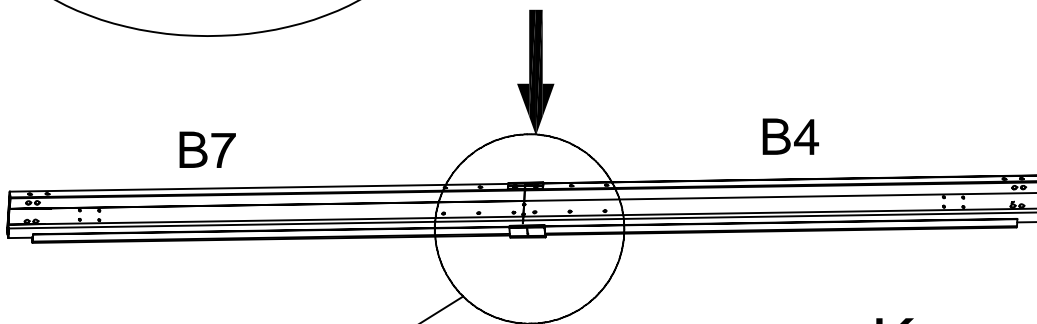
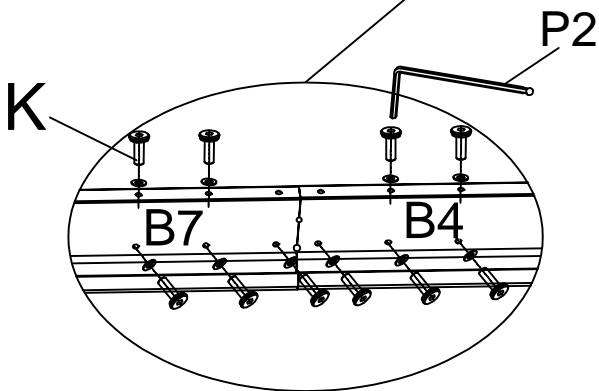
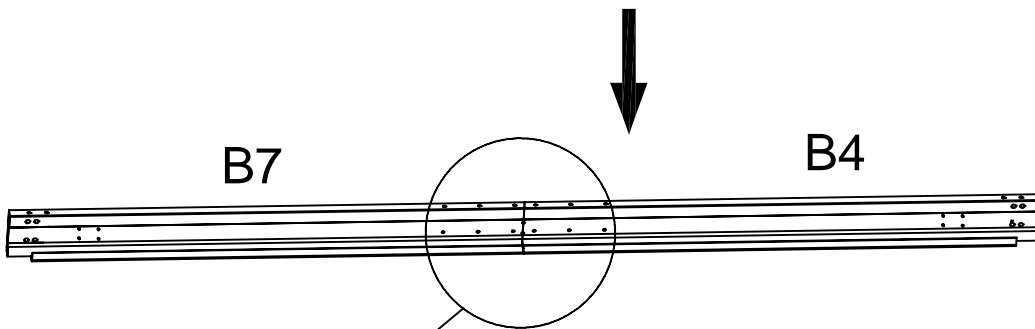
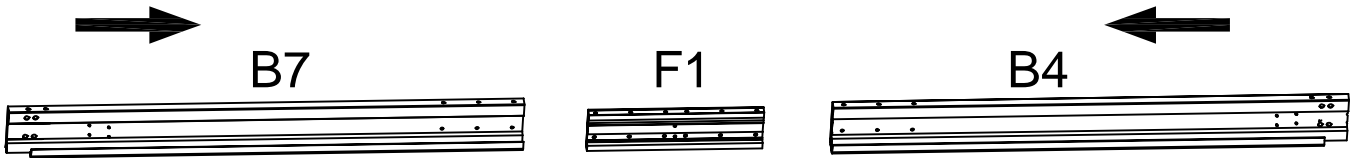
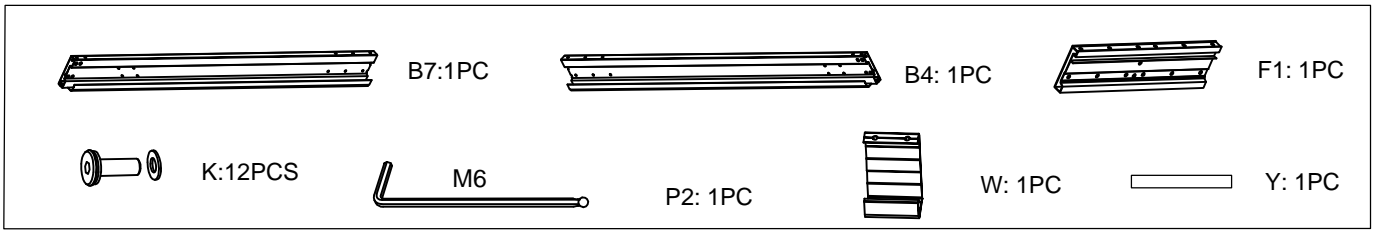
STEP 06



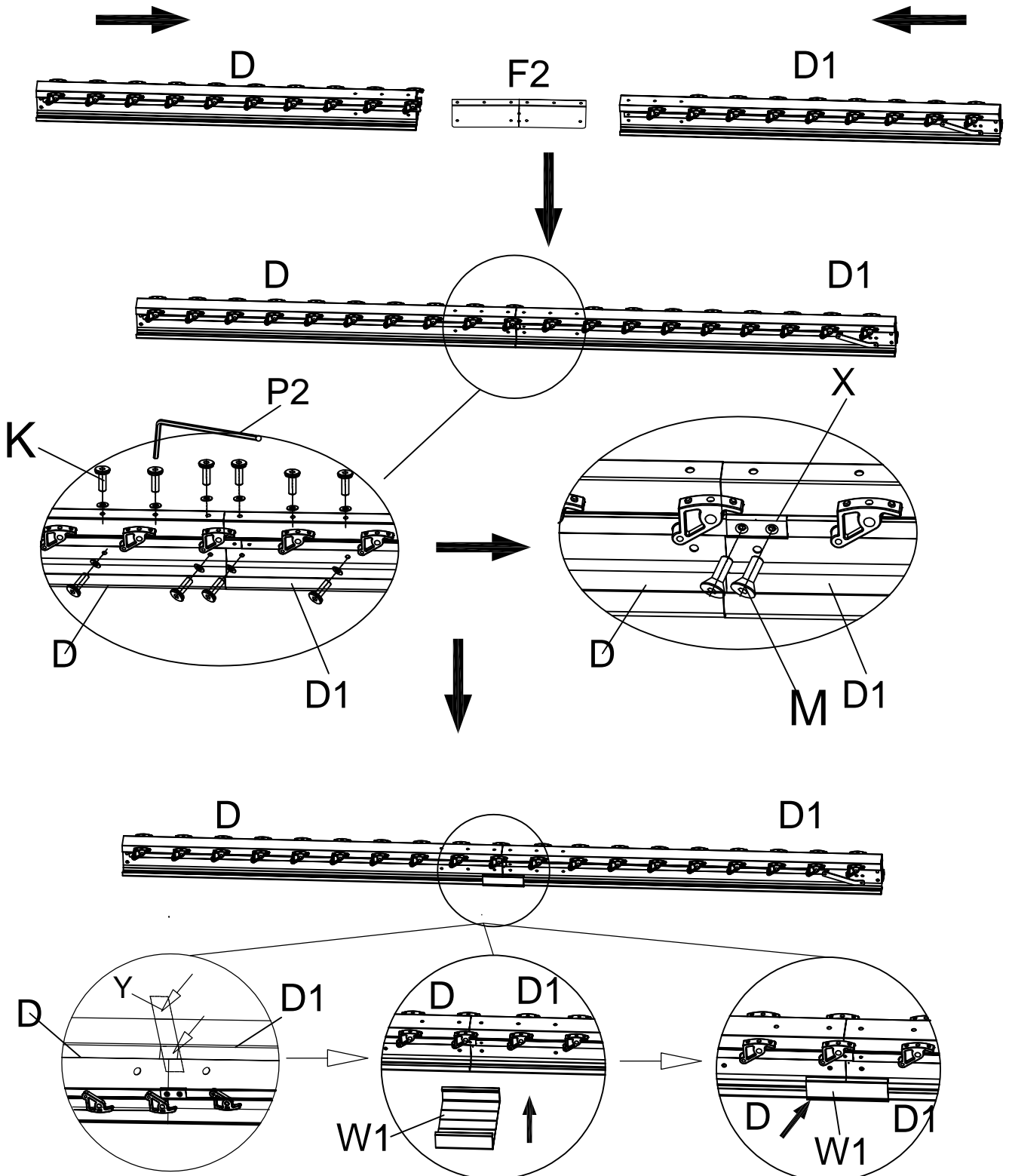
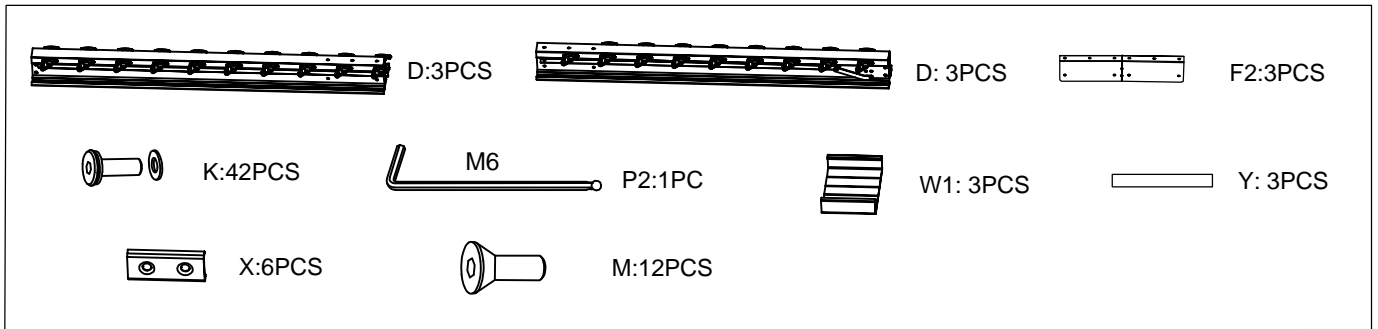
STEP 07



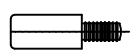
STEP 08



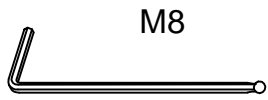
STEP 09



STEP 10

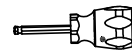


N:4PCS

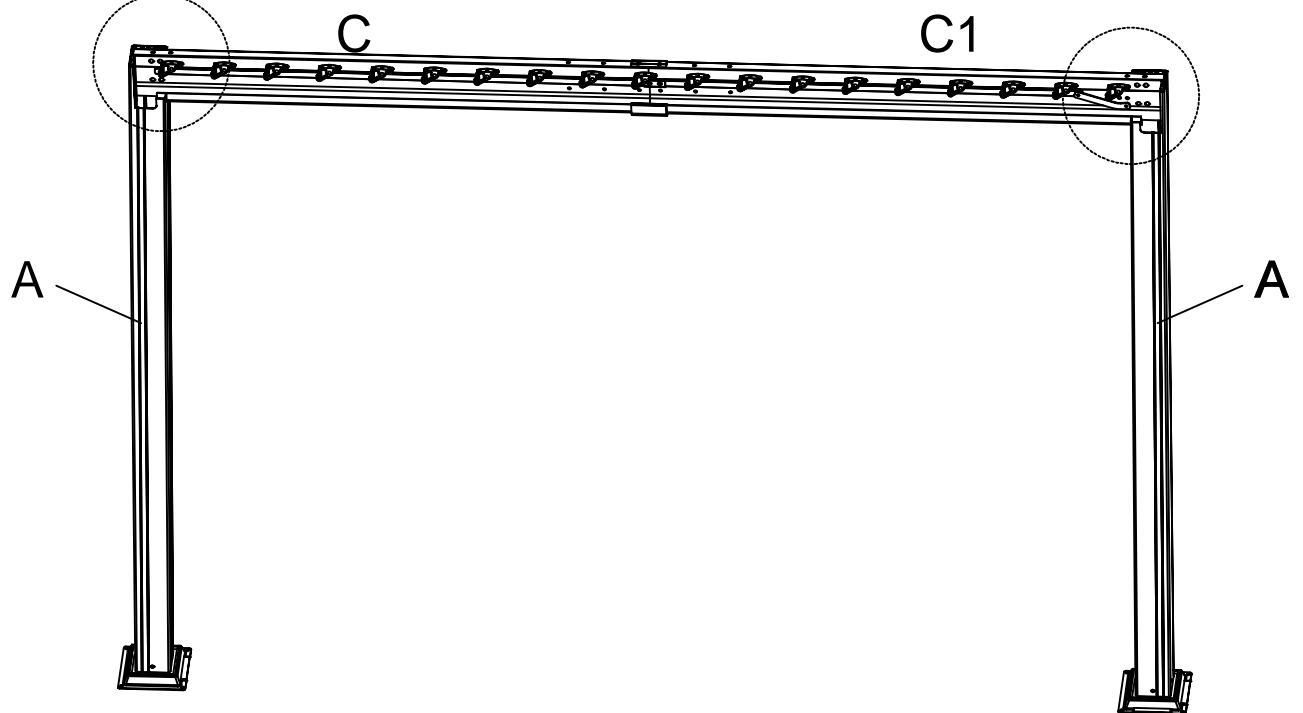
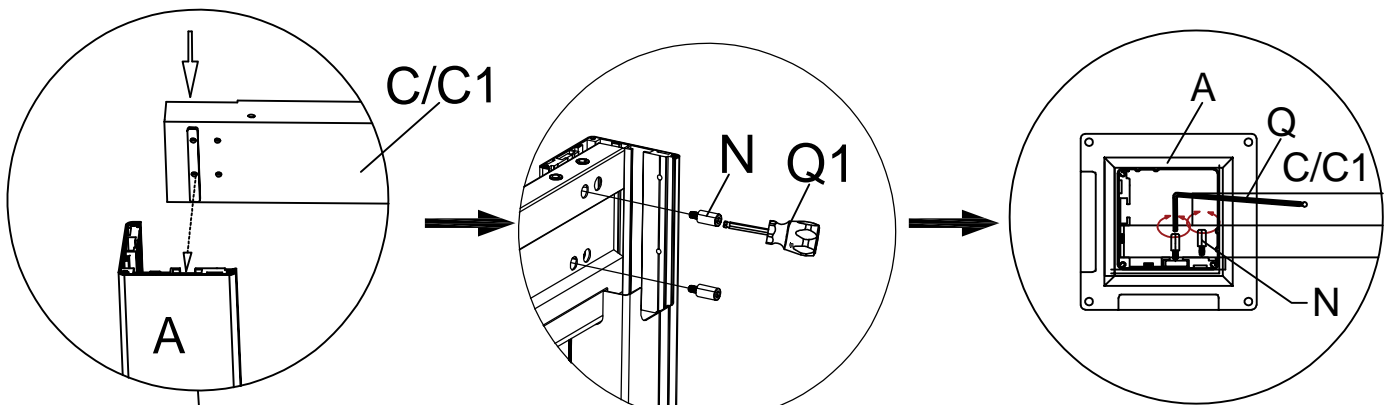


M8

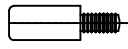
Q:1PC



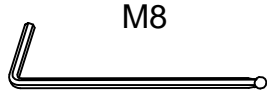
Q1:1PC



STEP 11

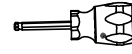


N:4PCS

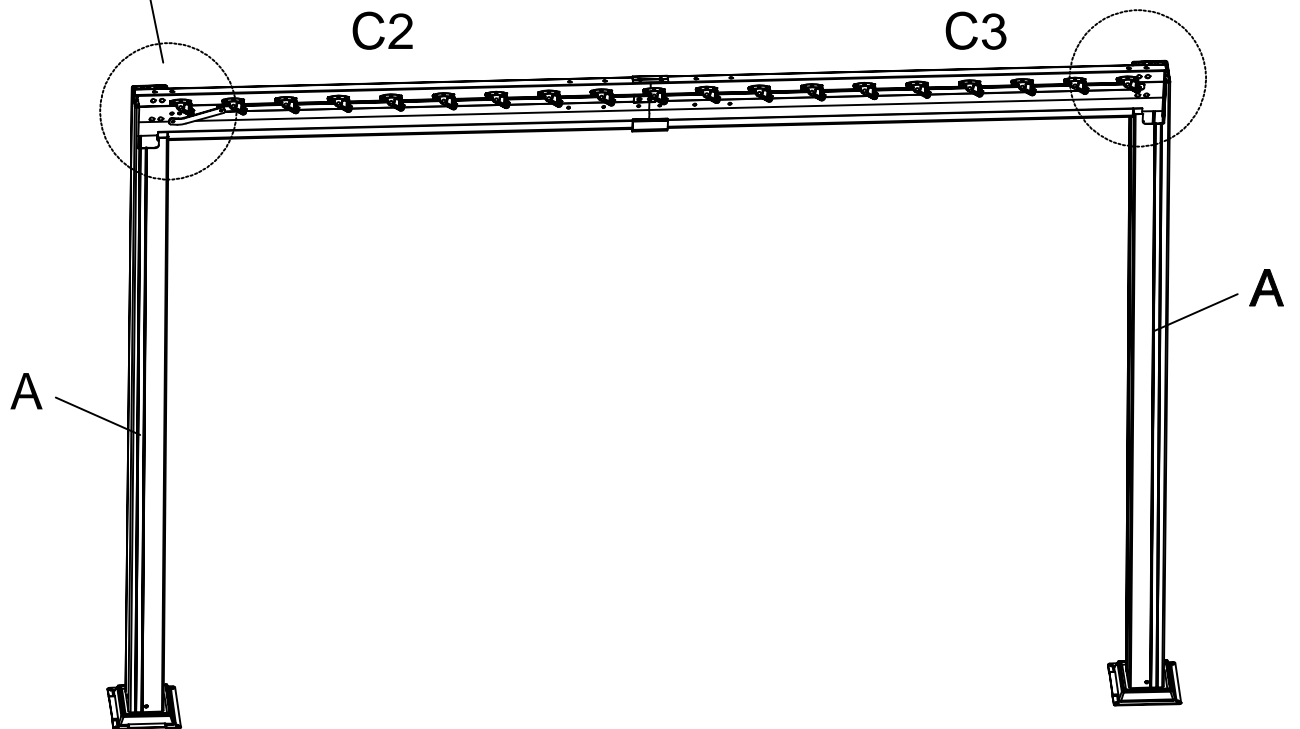
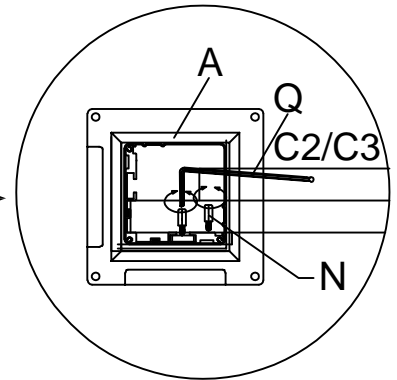
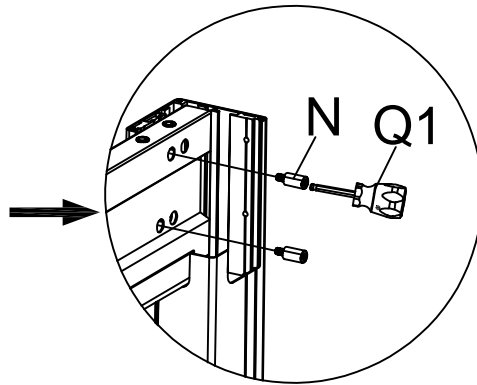
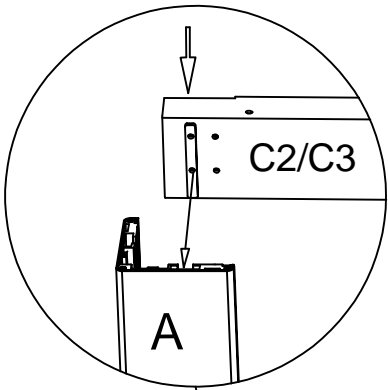


M8

Q:1PC



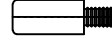
Q1:1PC



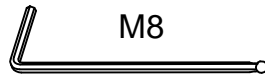
STEP 12



F4:2PCS



N:16PCS

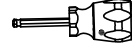


M8

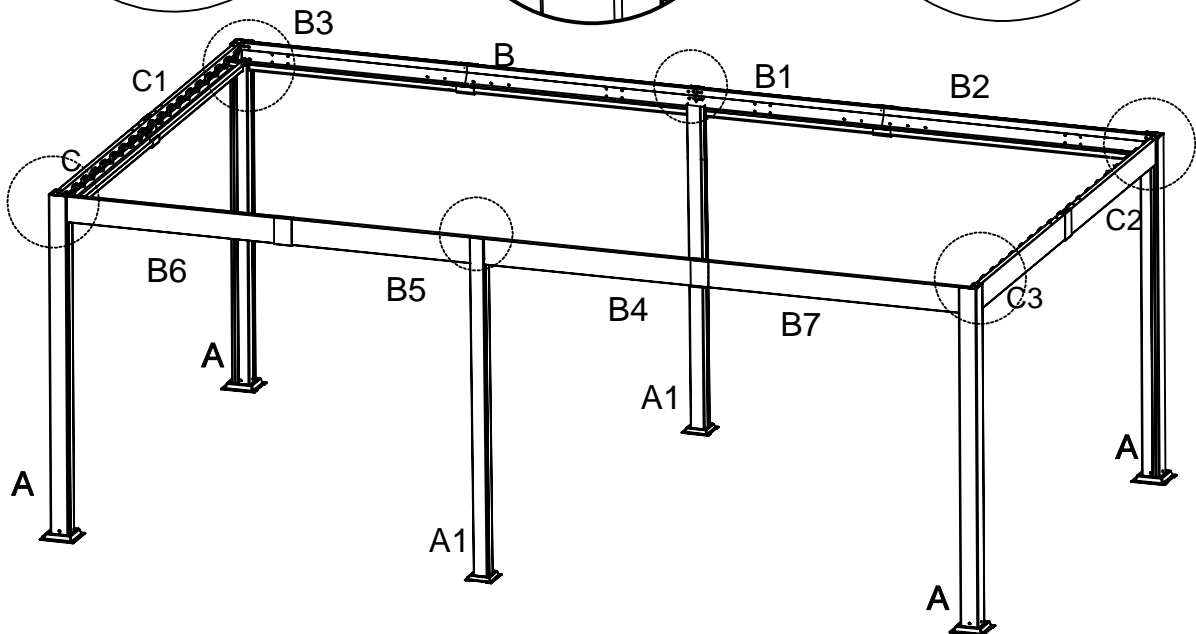
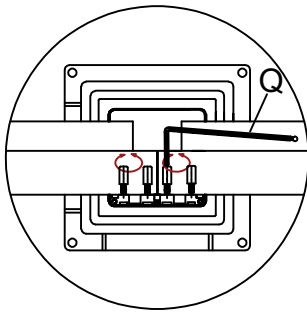
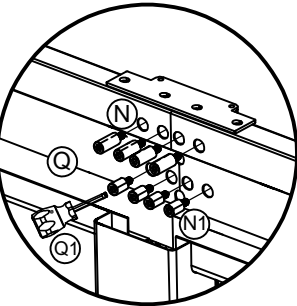
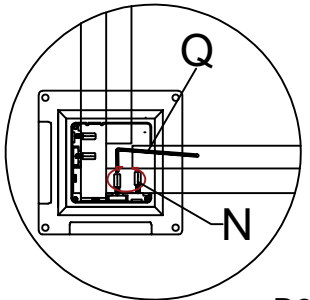
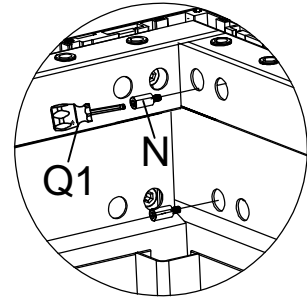
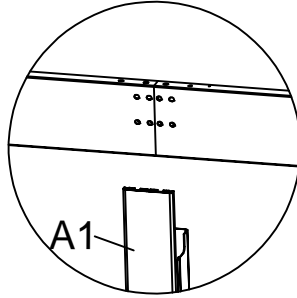
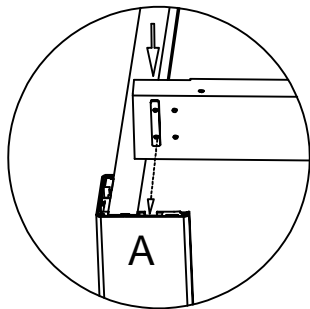
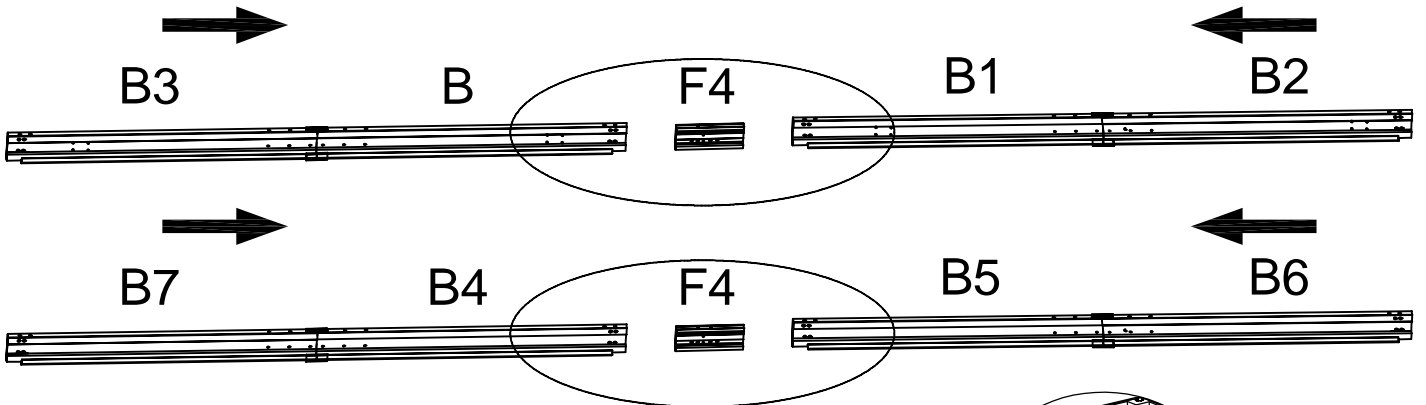
Q:1PC



N1:8PCS



Q1:1PC



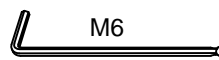
STEP 13



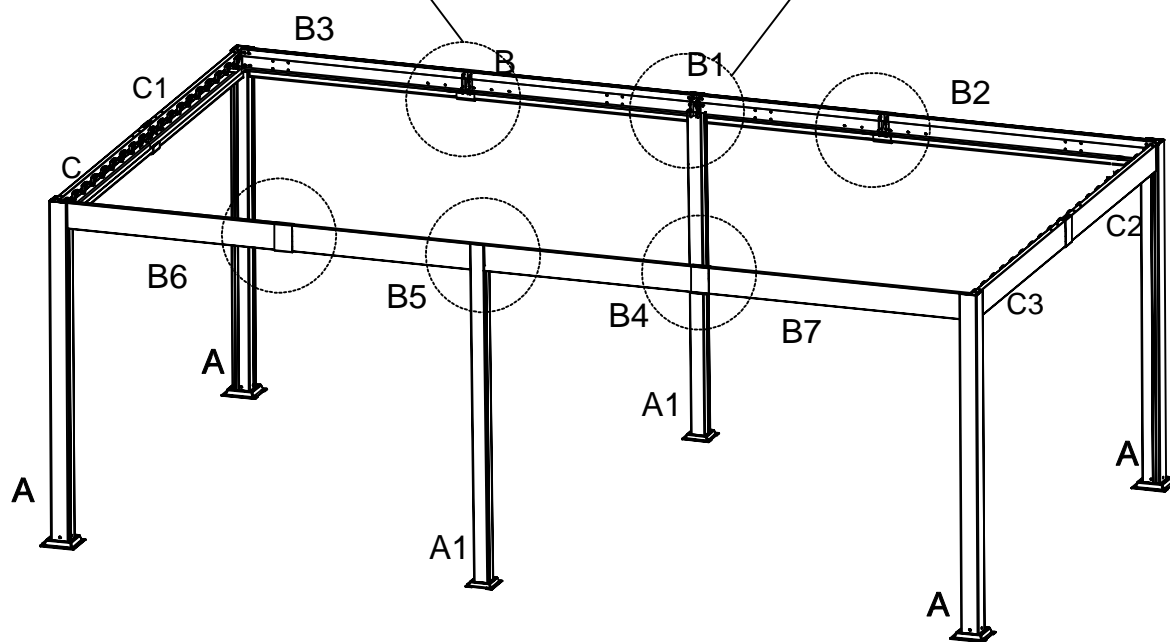
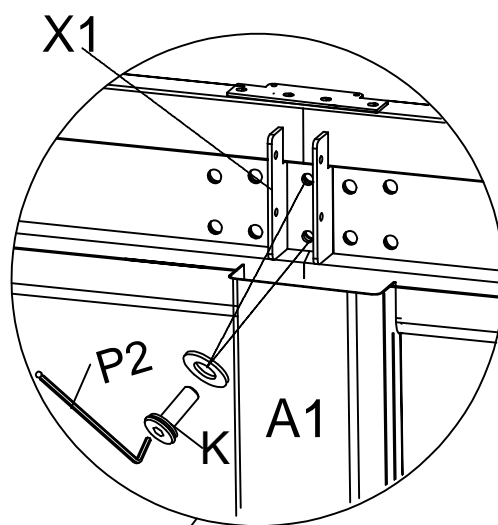
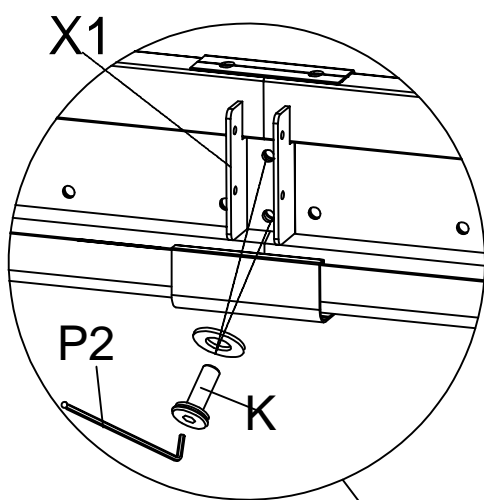
X1: 6PCS



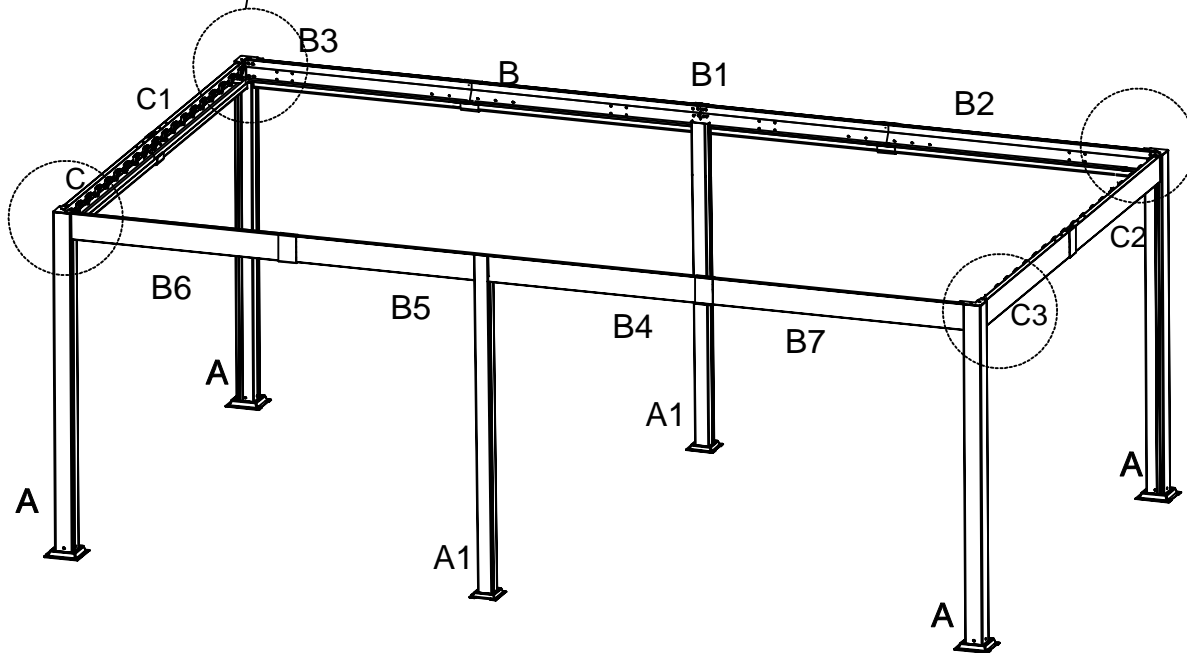
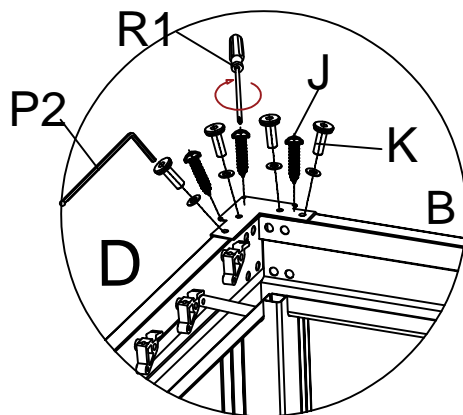
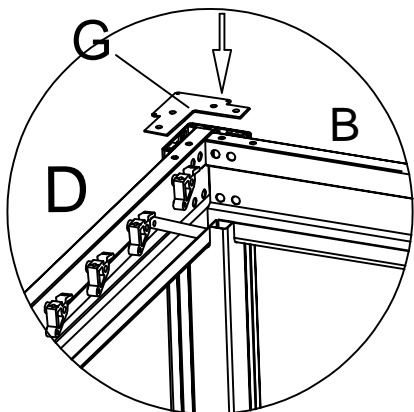
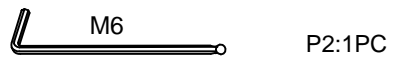
K:12PCS



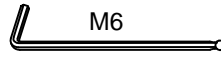
P2:1PC



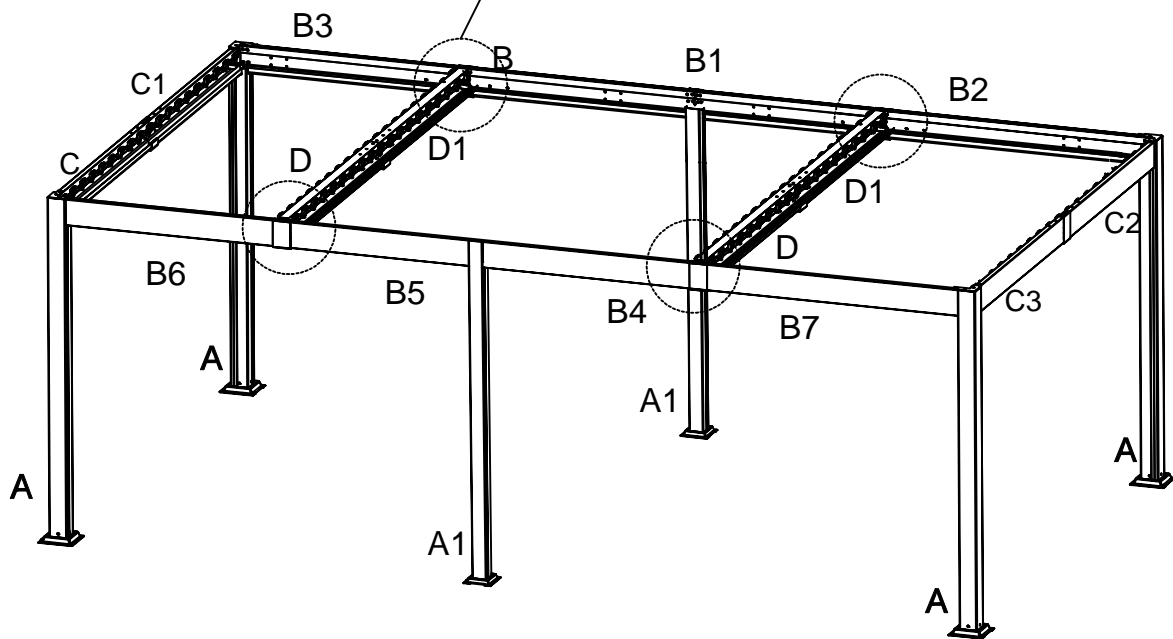
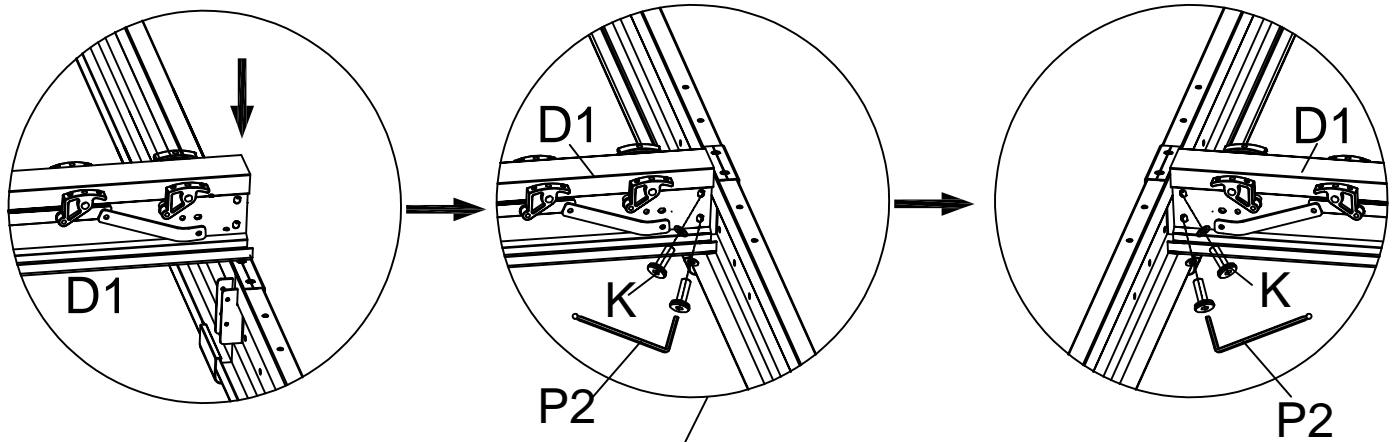
STEP 14



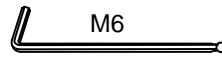
STEP 15



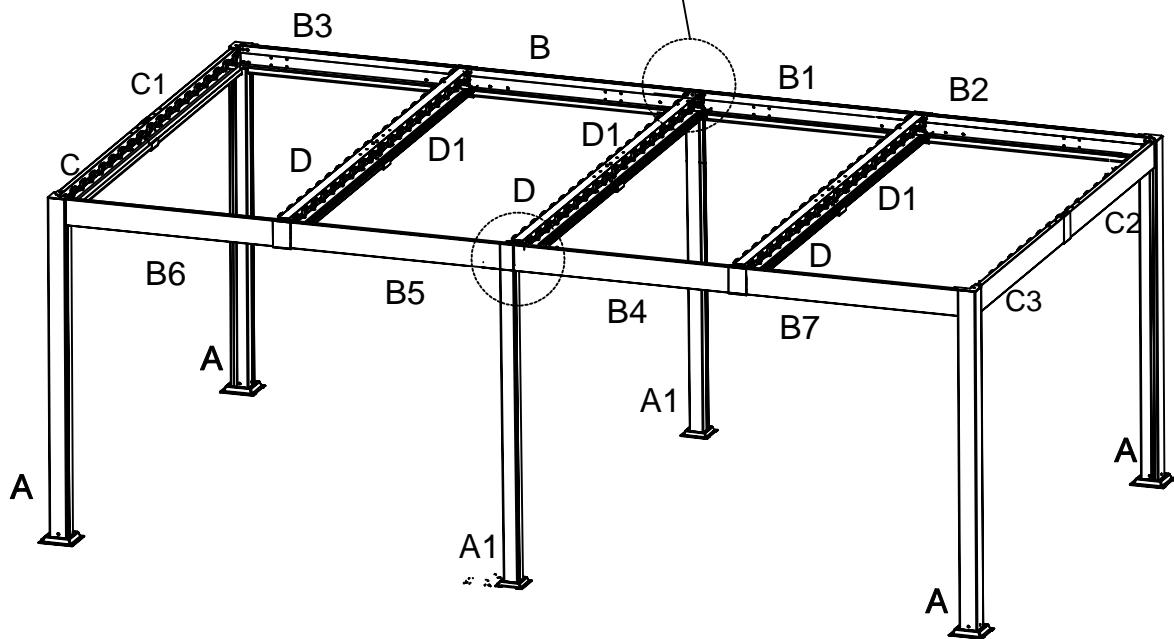
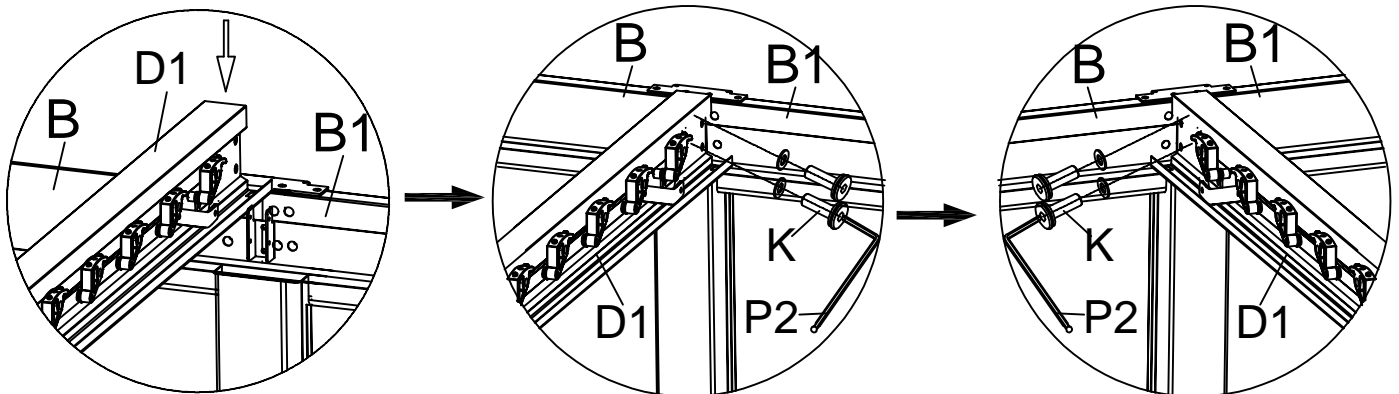
P2: 1PC



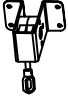
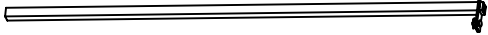
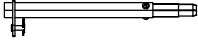

STEP 16

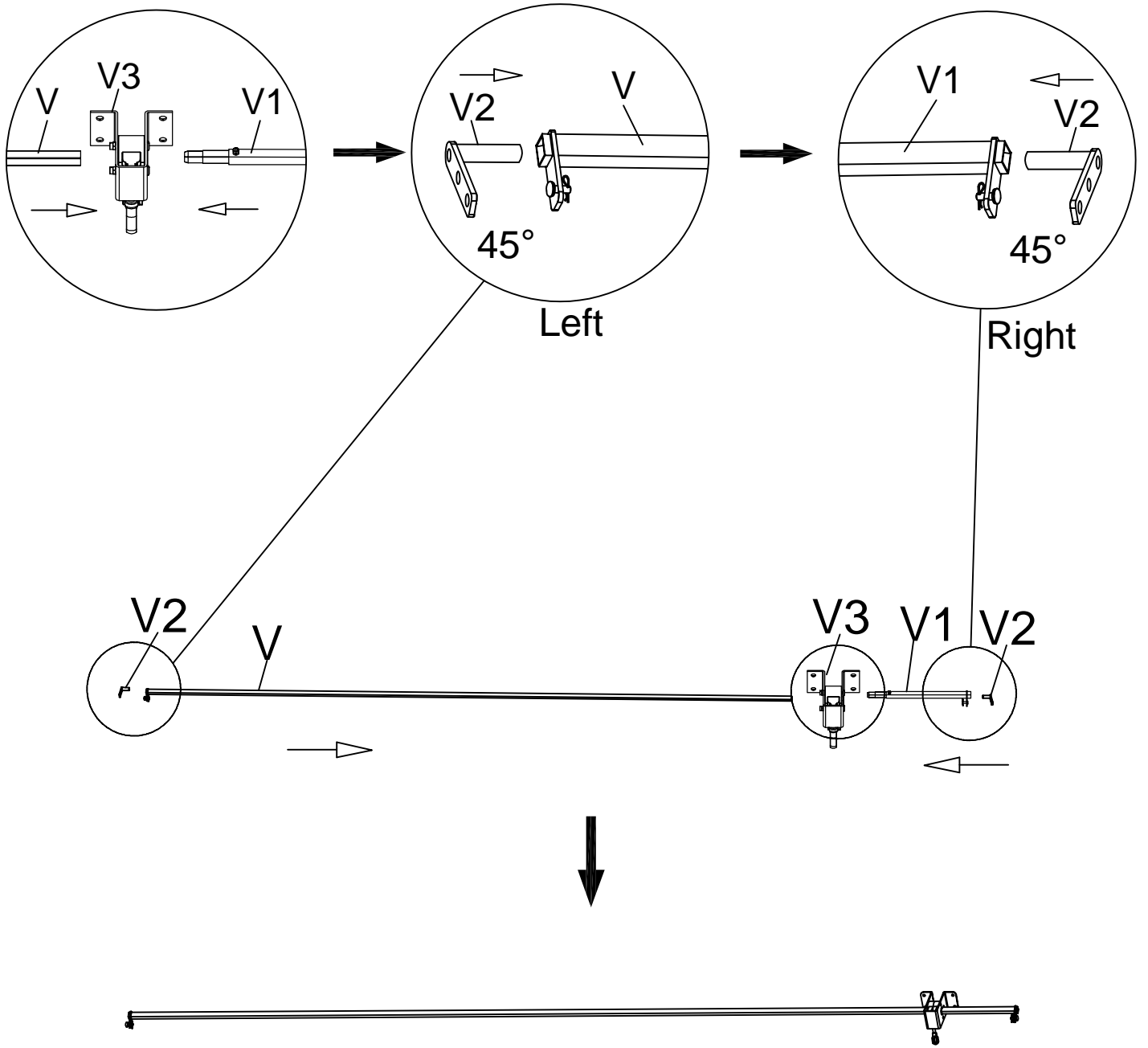


P2: 1PC

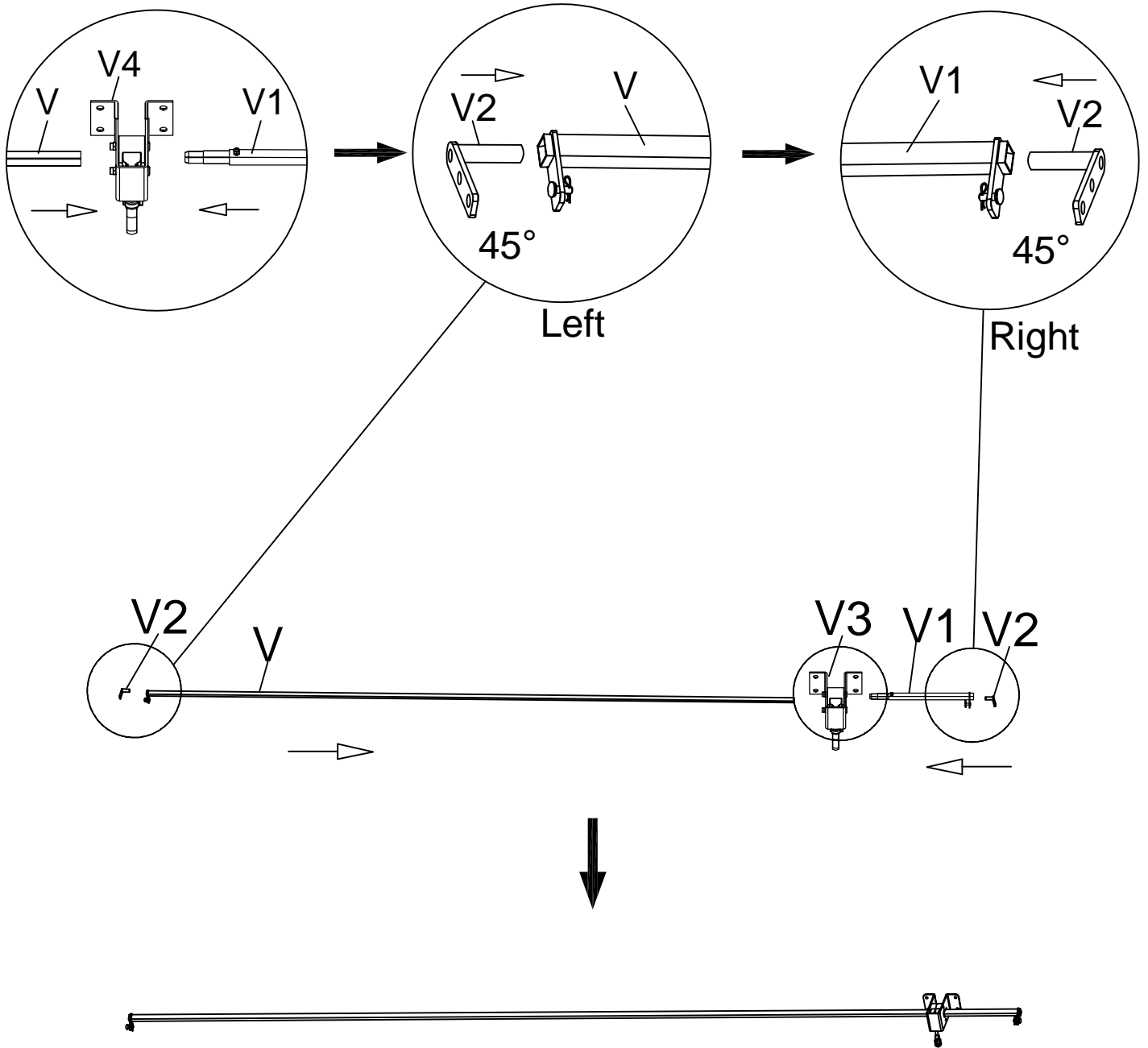
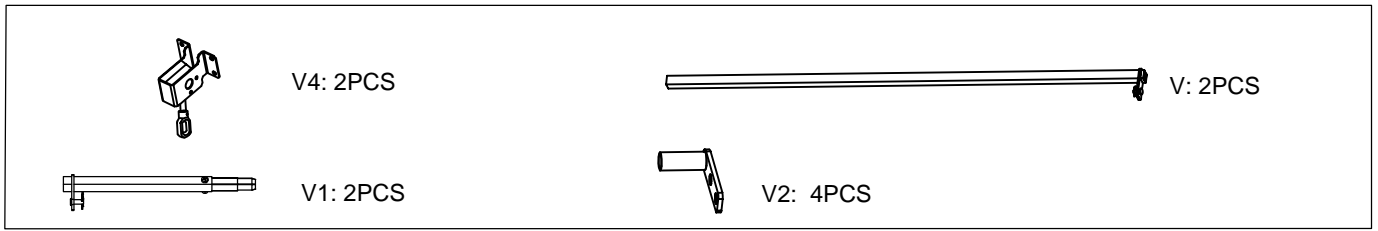


STEP 17

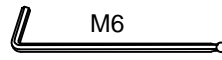
	V3: 2PCS		V: 2PCS
	V1: 2PCS		V2: 4PCS



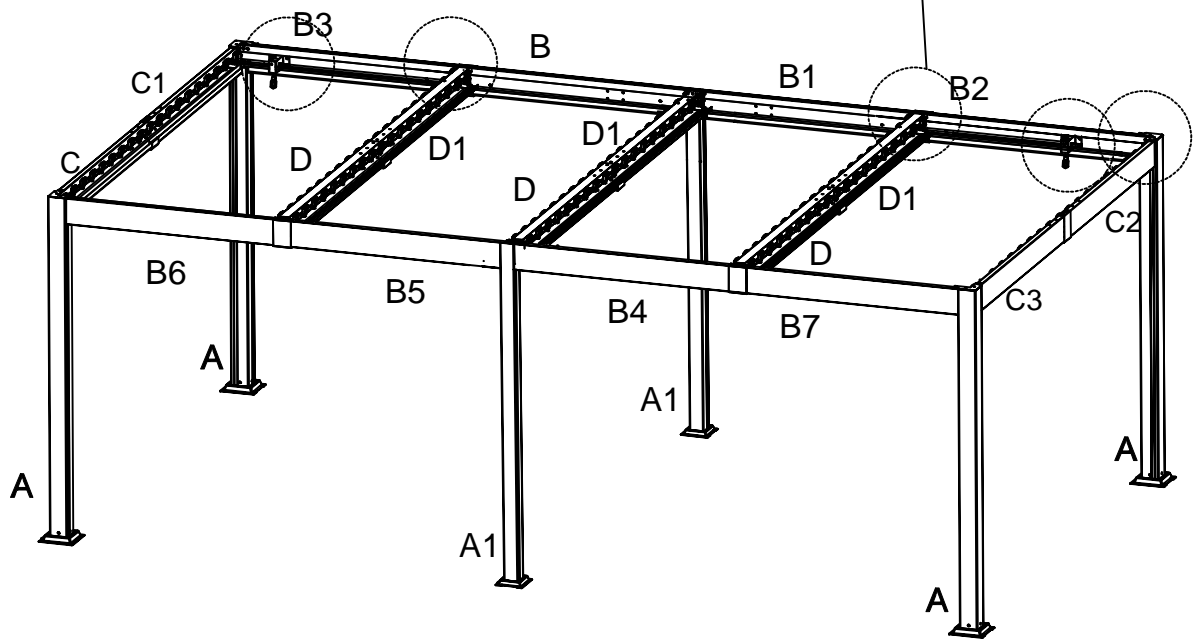
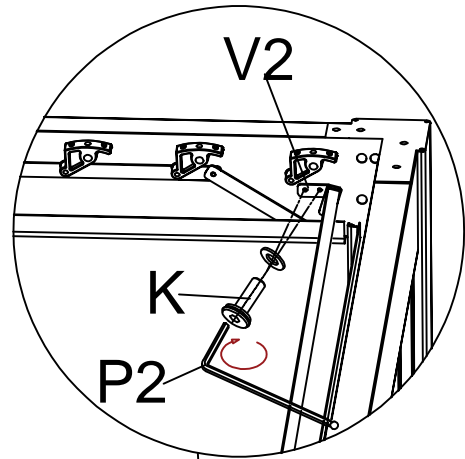
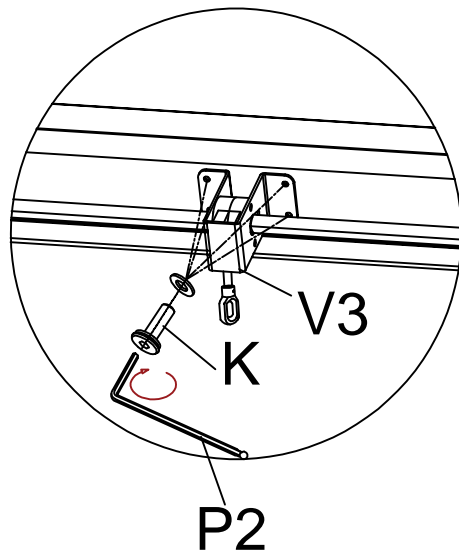
STEP 18



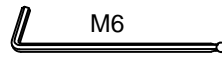
STEP 19



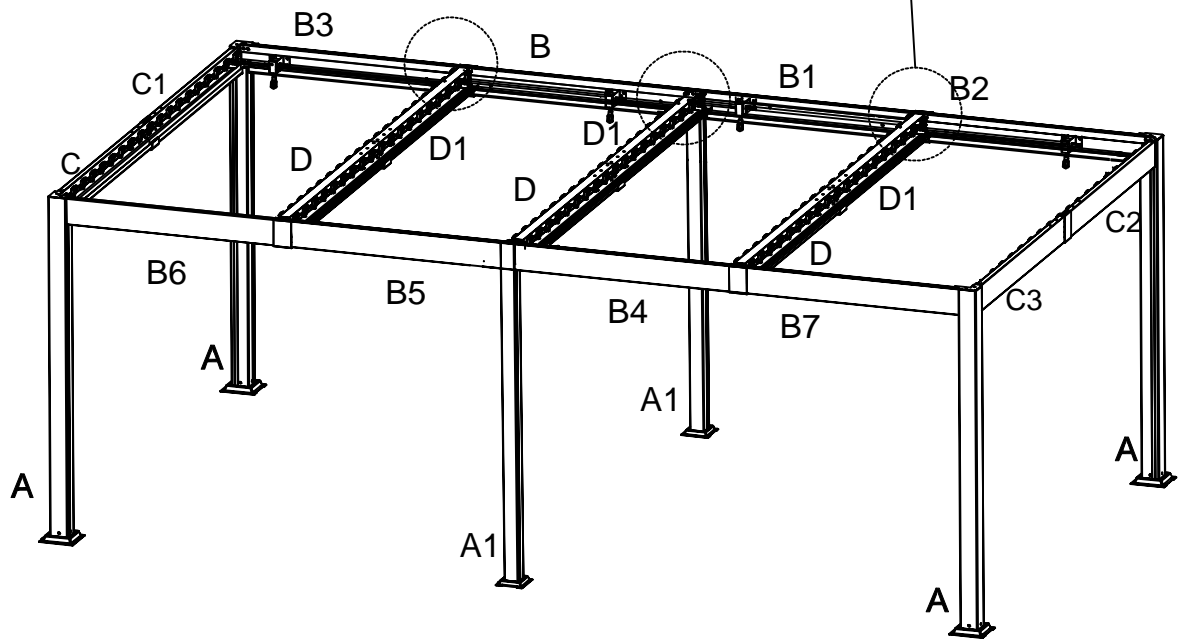
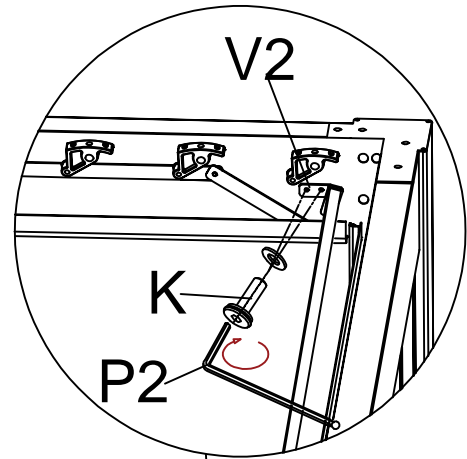
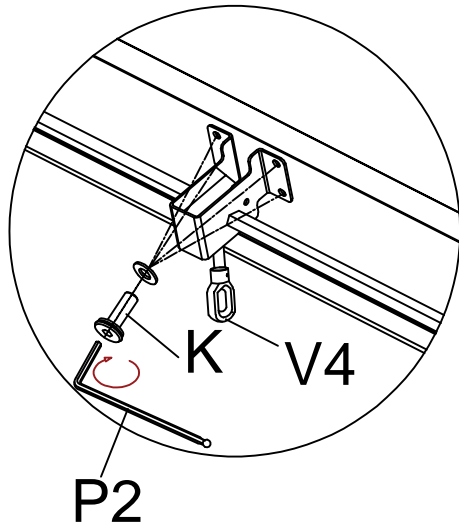
P2: 1PC



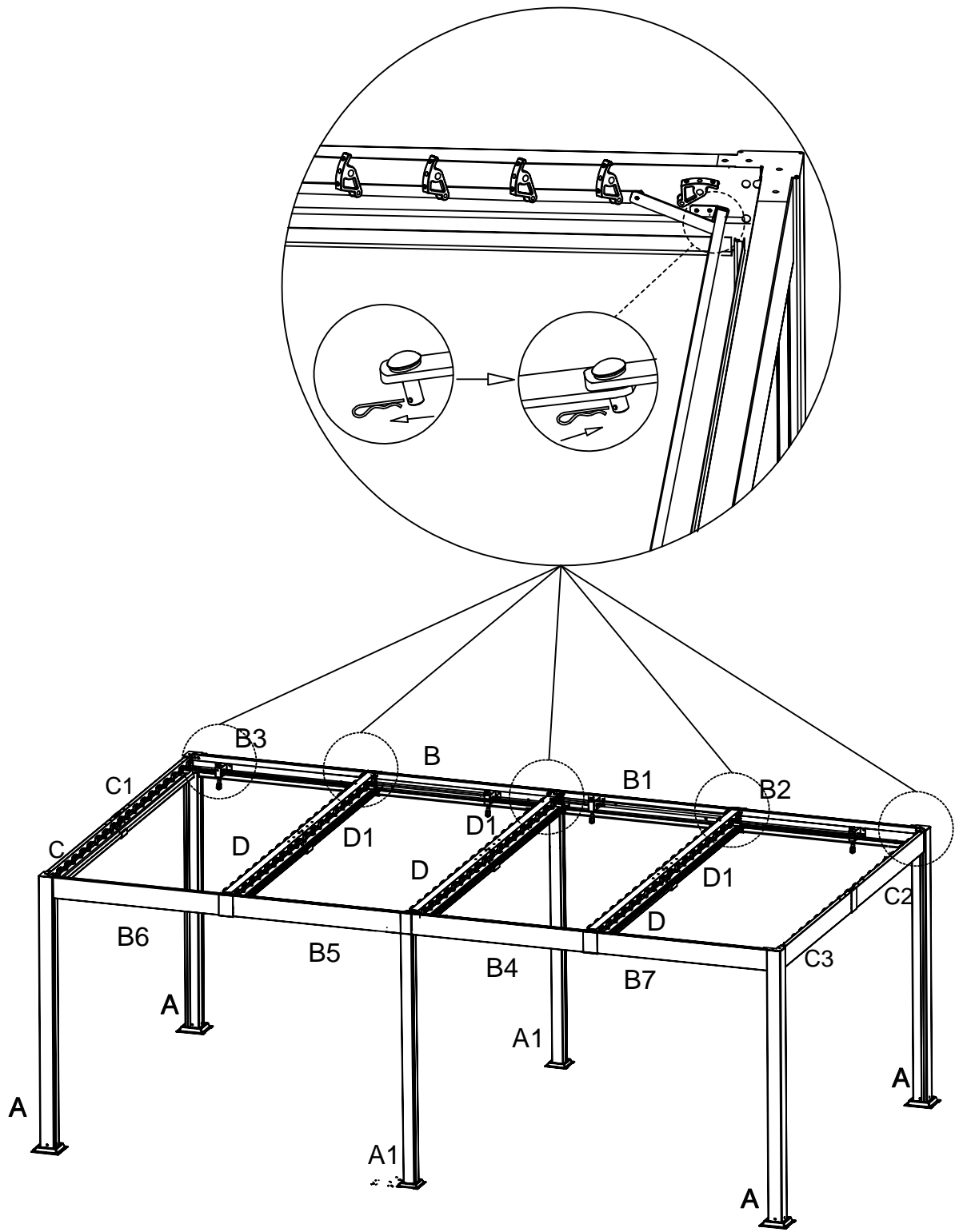
STEP 20



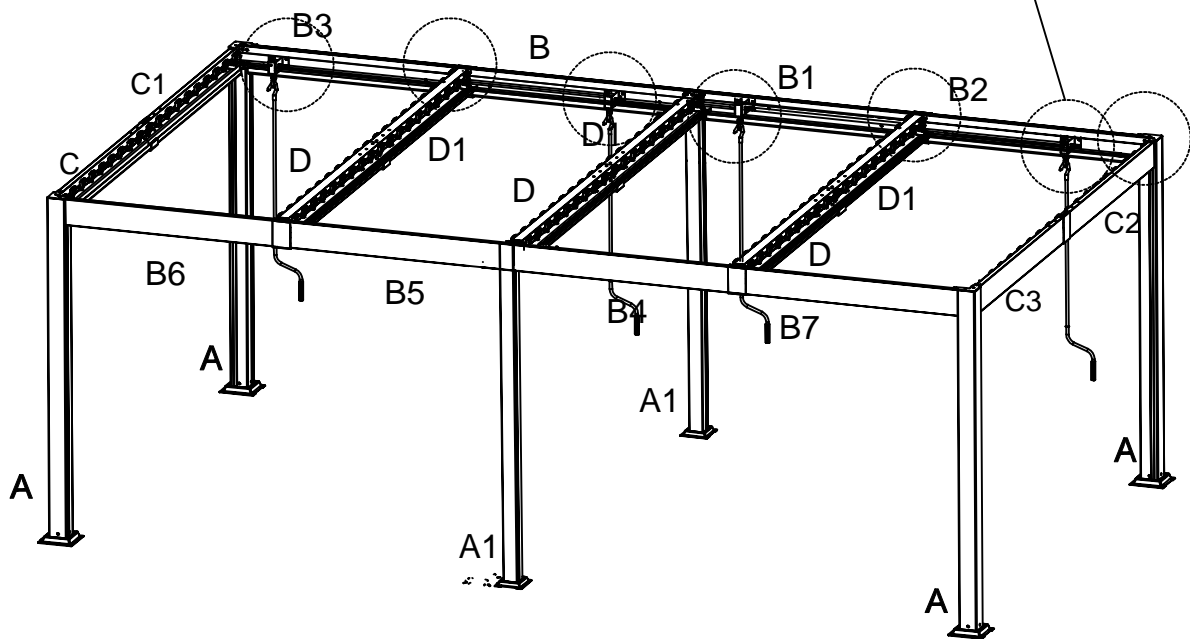
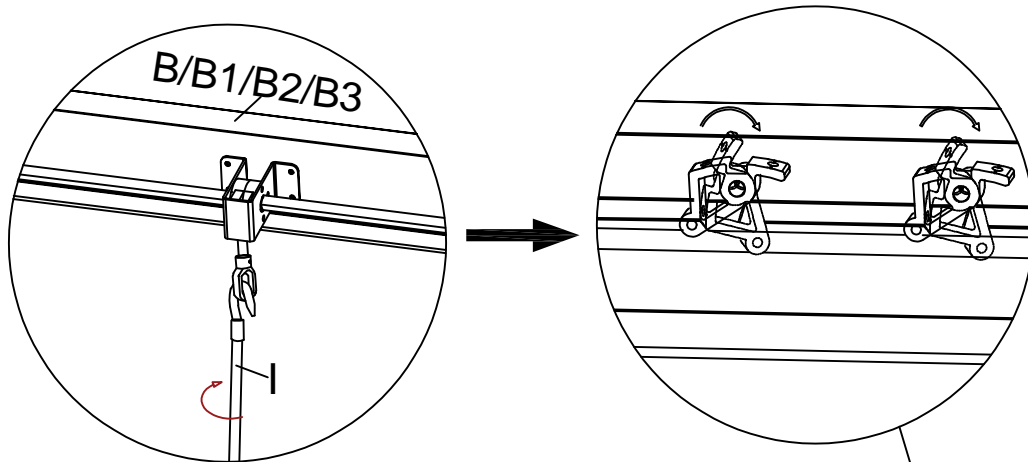
P2: 1PC



STEP 21



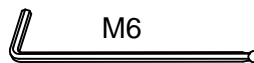
STEP 22



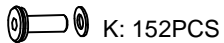
STEP 23



E: 76PCS



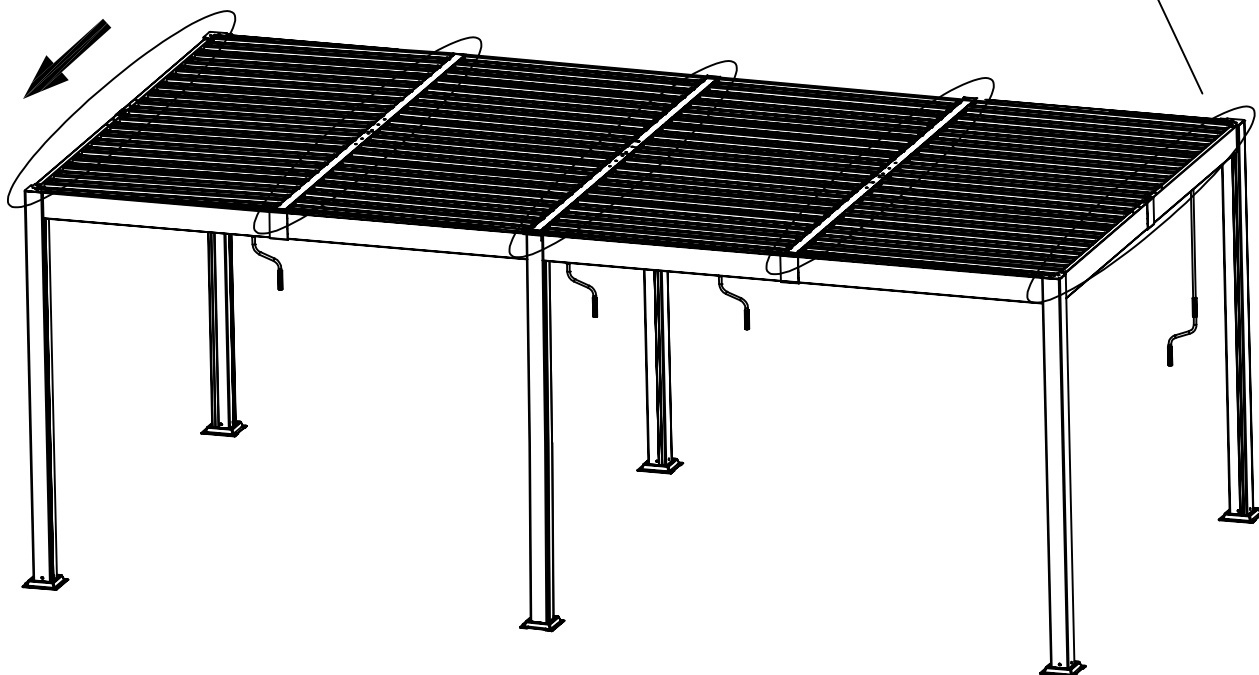
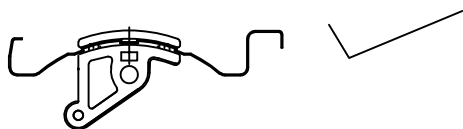
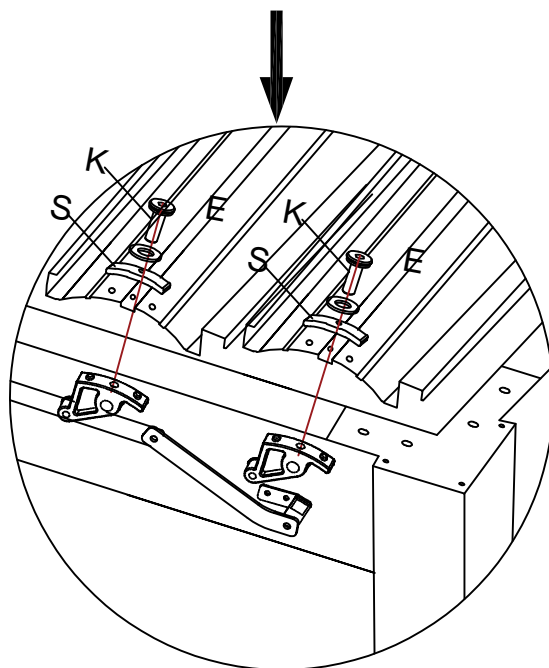
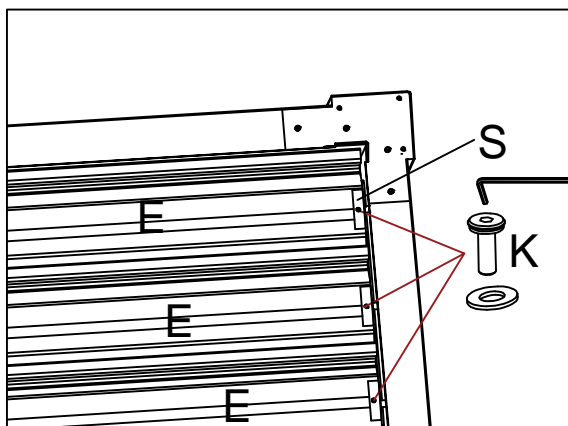
P2: 2PCS



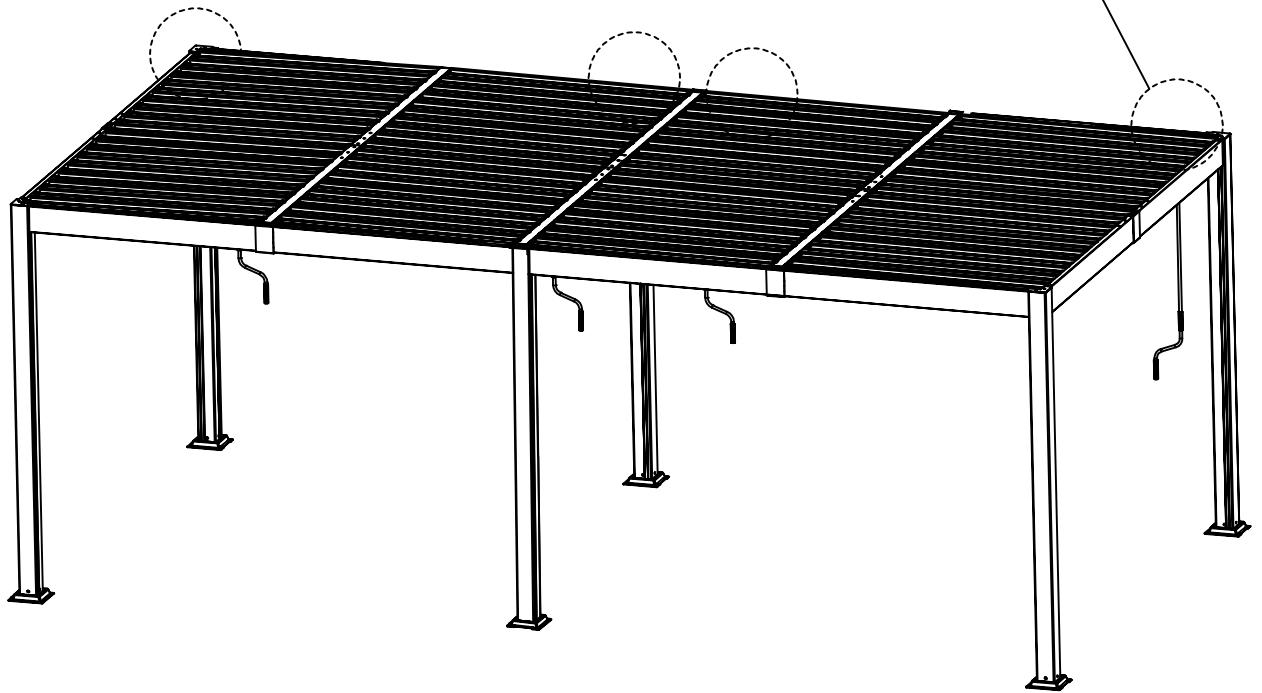
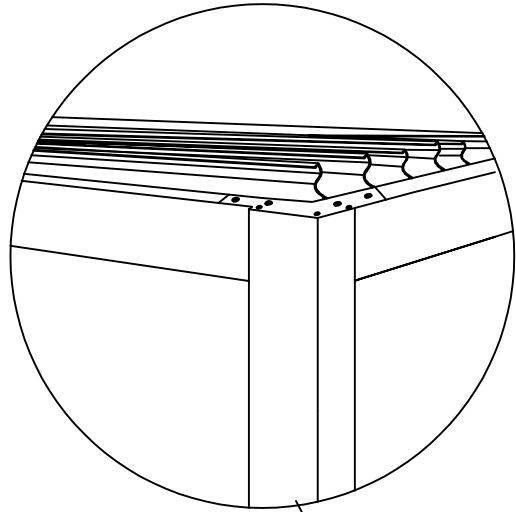
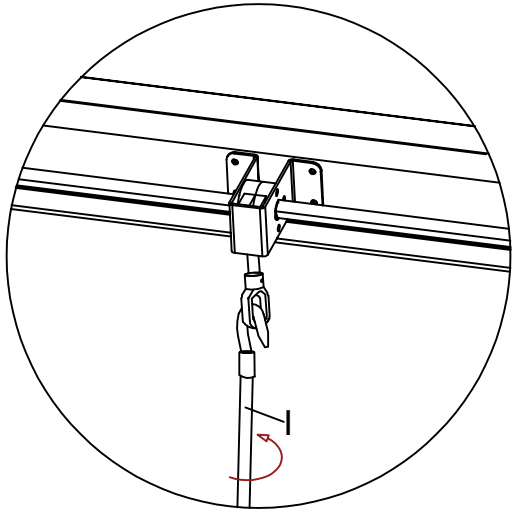
K: 152PCS



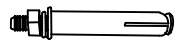
S: 152PCS

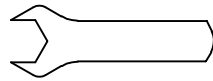


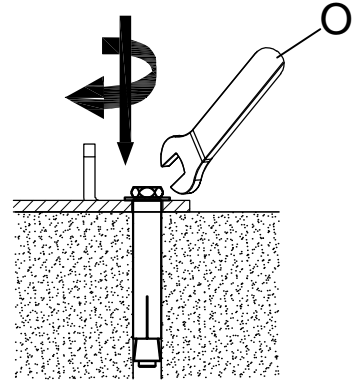
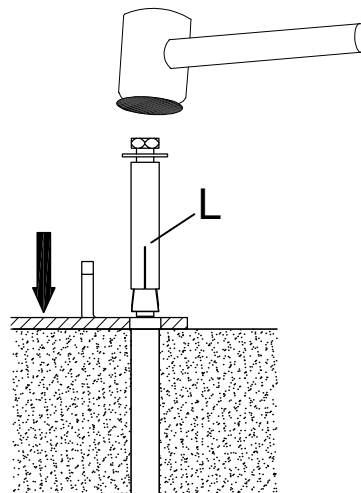
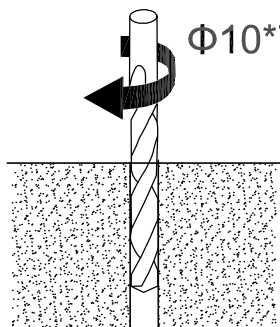
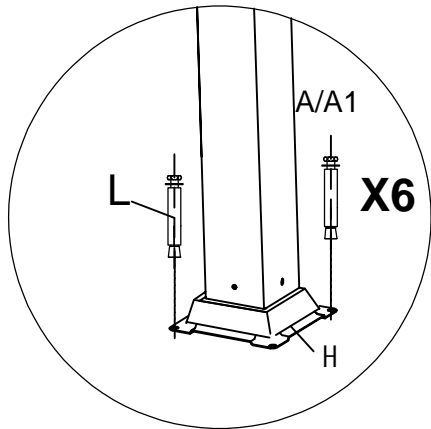
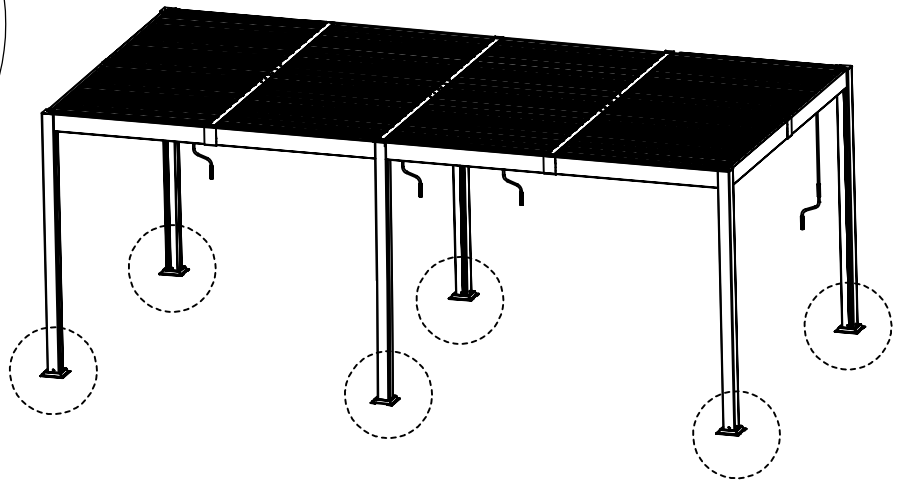
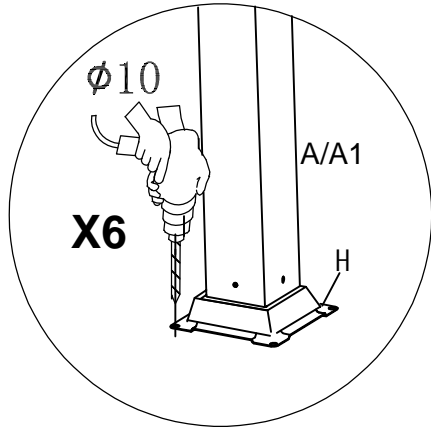
STEP 24



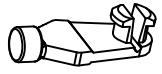
STEP 25

 L: 24PCS

 O: 1PC



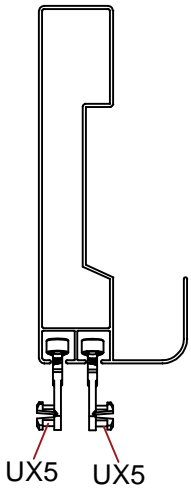
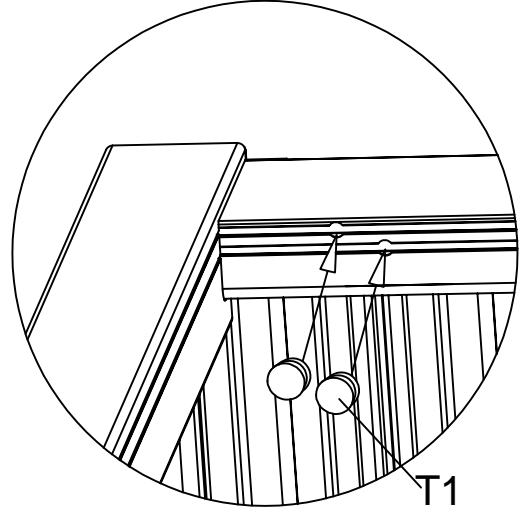
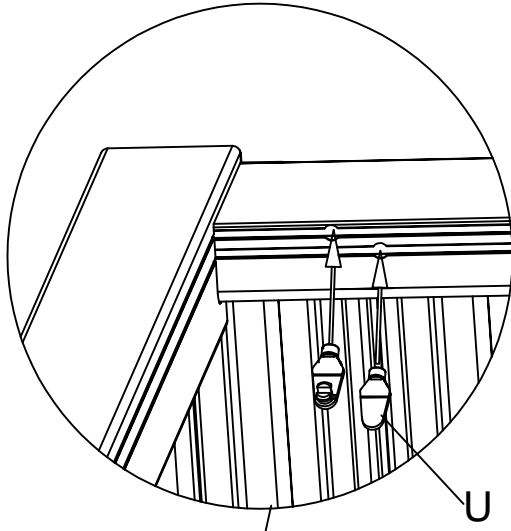
STEP 26



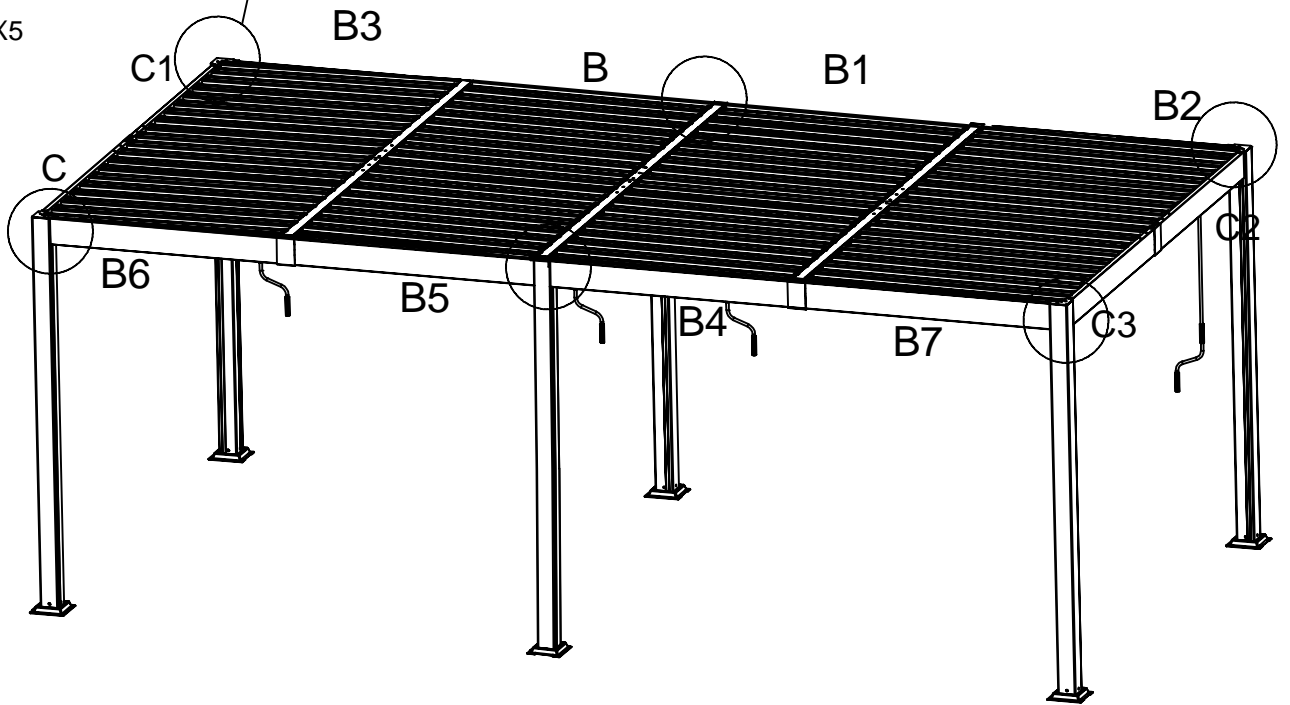
U: 120PCS



T1: 24PCS



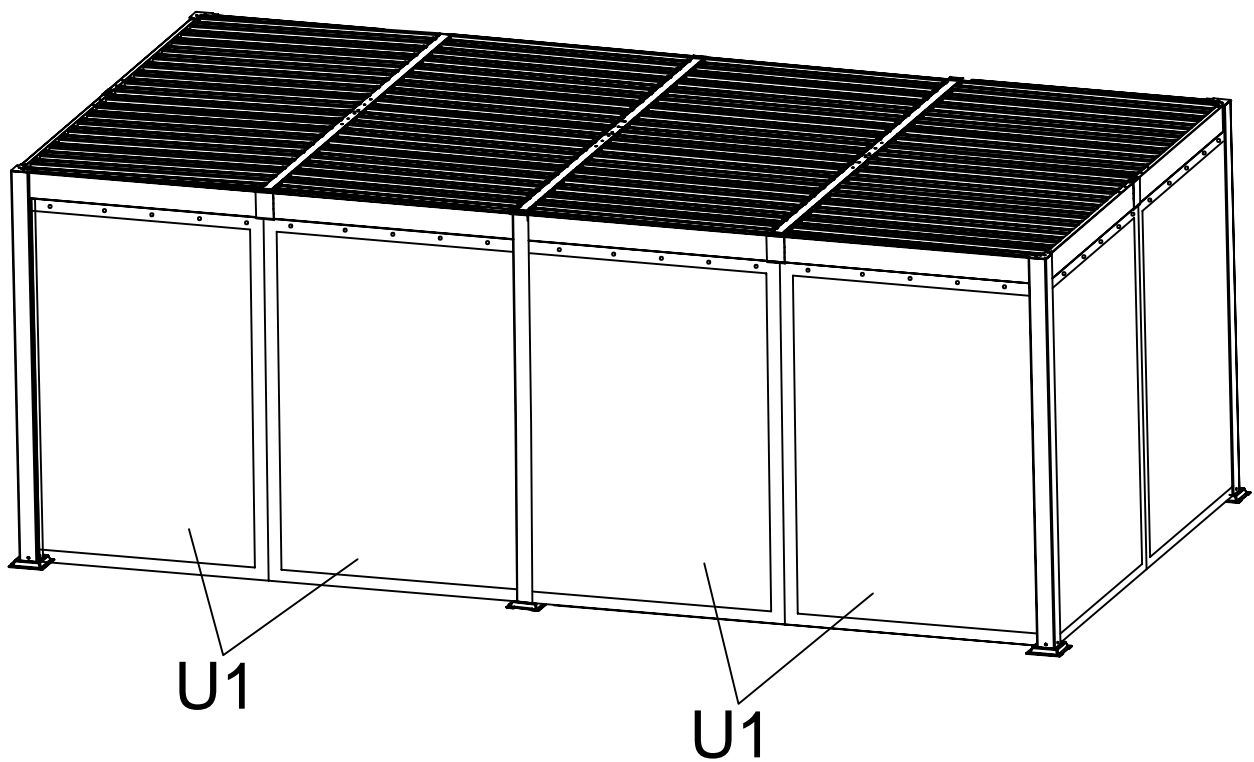
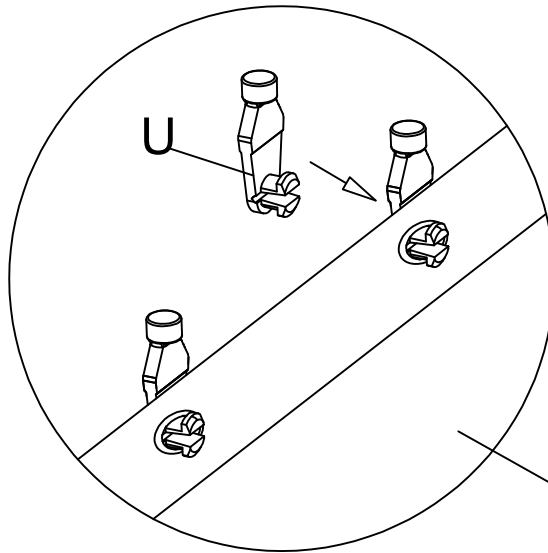
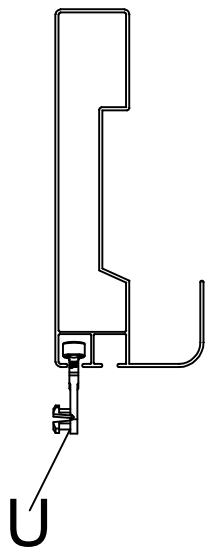
UX5 UX5



STEP 27



U1 x6



STEP 28



U2 (x6)

